

MODEL 60 Modular

WOOD-FIRED OVEN



23" x 26" Interior cooking area

Wall and dome elements are a dense superior high temperature refractory material composed of 80% alumina and other advanced elements for extra durability, heat retention and longevity.

High Thermal Mass for excellent heat retention.

Hearth Floor Tiles - "Pierre de Boulanger" are cold pressed at 8,500 psi and ceramitized at 2800F degrees.

Large oven entrance opening allows for maximum visibility and easy usage.

Shipping Weight: 1,000 lb

Model 60 Modular Oven Includes:

Floor Tiles (9)

9 - 12" X 12"x 1 1/2"

Oven Pieces:

Primary Hood

Rear Section Pieces (2)

Middle Section Pieces (2)

Front Entrance Pieces (2)

Additional Items:

Steel Entrance Plate (black)

Thick Cast Aluminum Door

Dial Temperature Gauge (probe 3ft)

Refractory Cement (22 lb / 10 kg Bag)

Galvanized Metal Flashing

High Heat Silicone Tube

Plywood Spacers

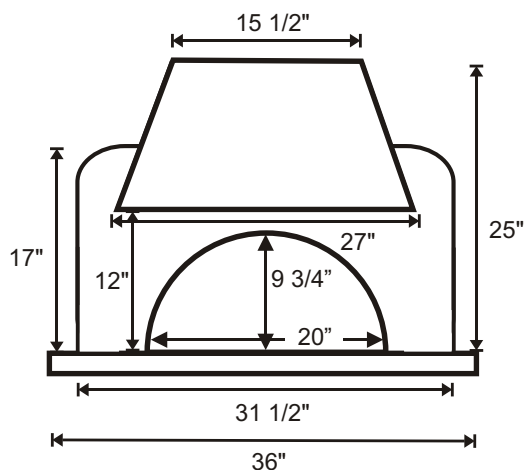
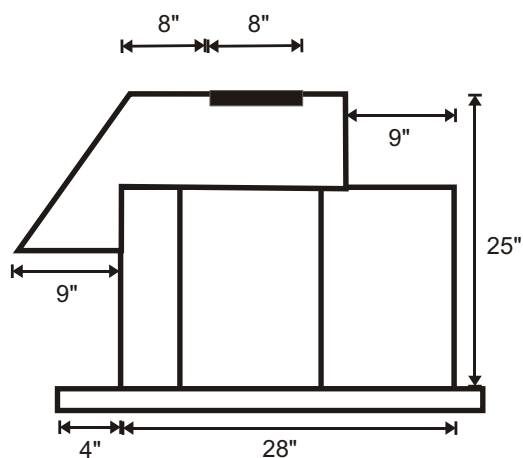
Refractory Cement (container)

Package of Fire Starters

Stainless Steel Pizza Peel

4" x16" Screened Vent

Installation Instructions and Video/DVD



EARTHSTONE

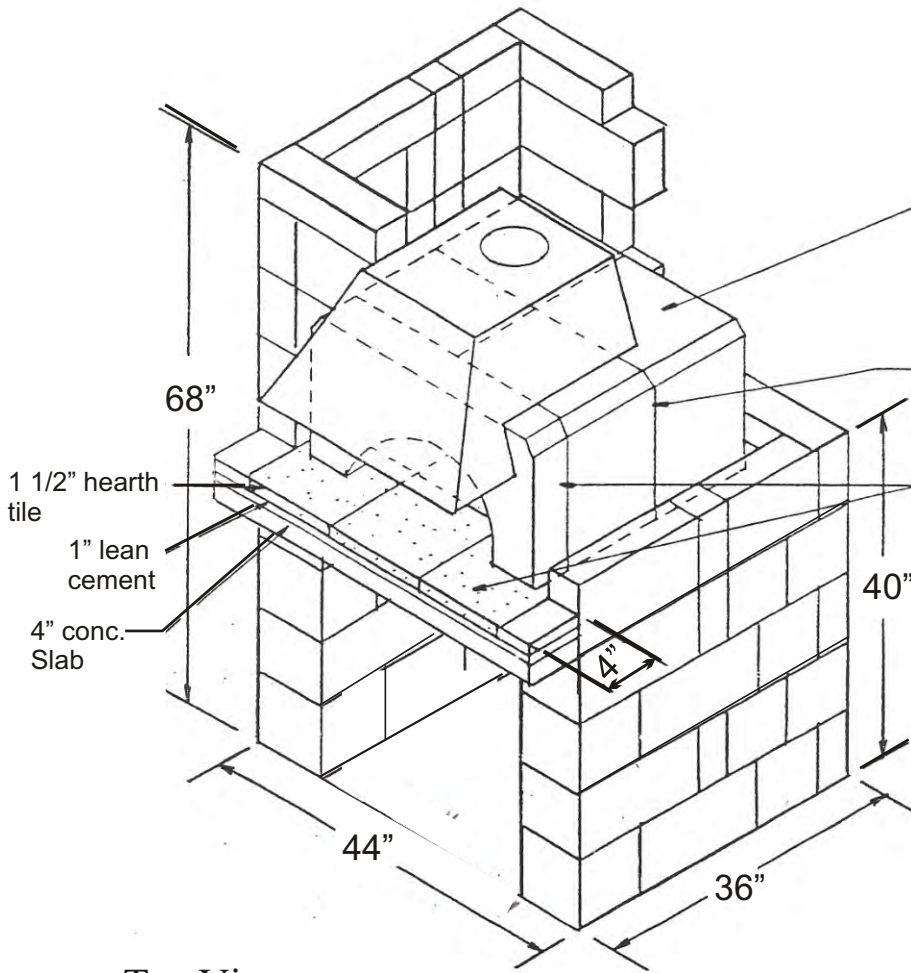
WOOD-FIRE OVENS

6717 San Fernando Road
Glendale CA 91201

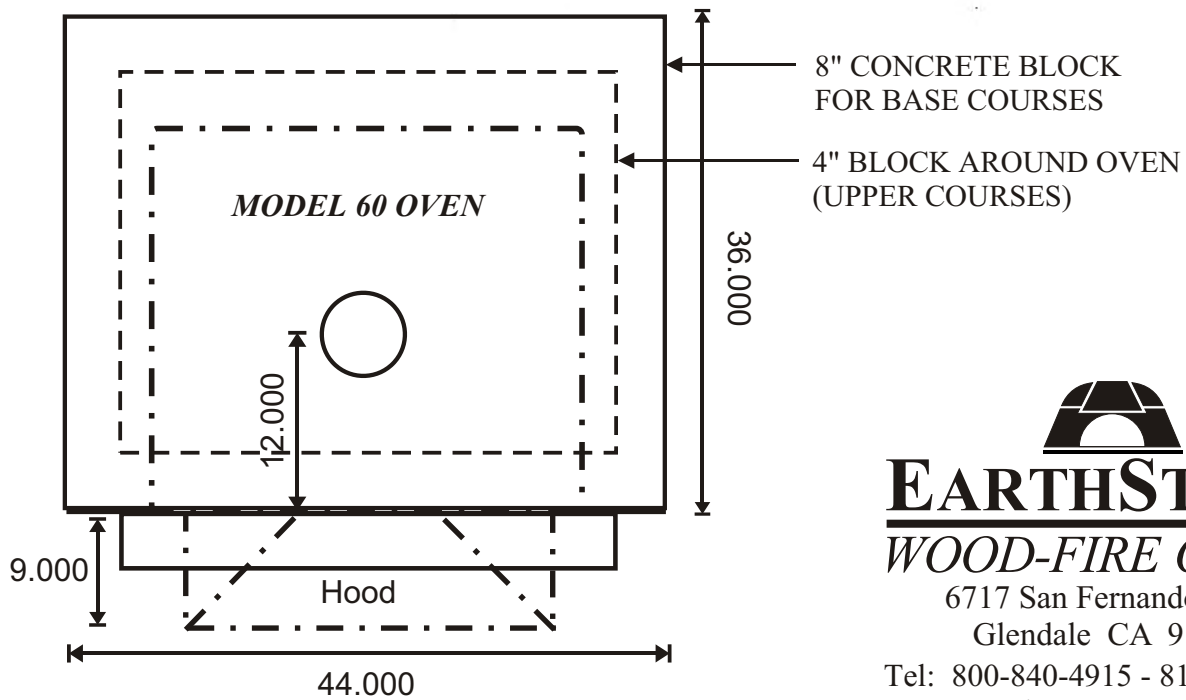
Tel: 800-840-4915 - 818-553-1134
earthstoneovens.com



MODEL 60 Modular WOOD-FIRED OVEN



Top View

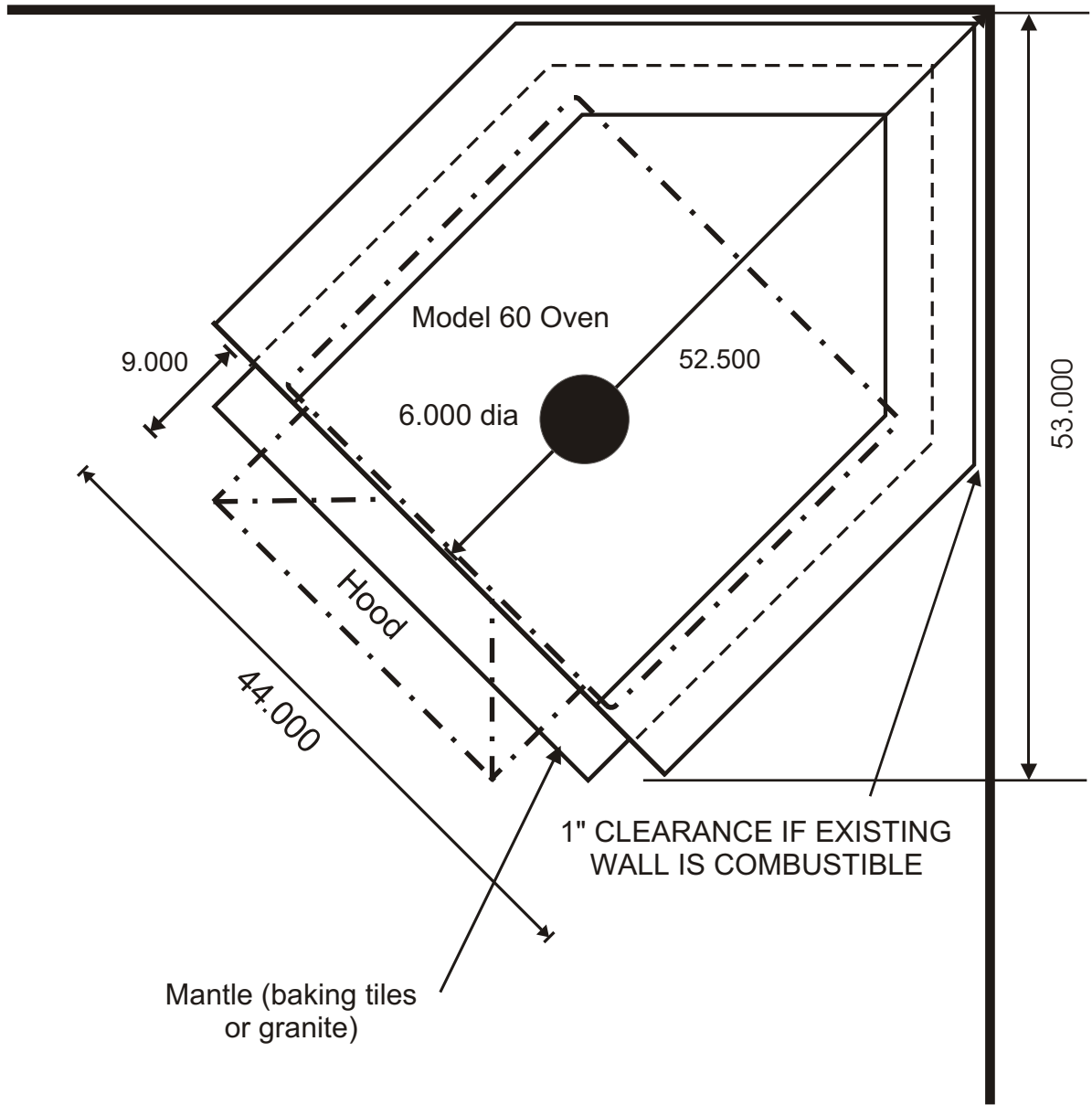


EARTHSTONE
WOOD-FIRE OVENS

6717 San Fernando Road
Glendale CA 91201

Tel: 800-840-4915 - 818-553-1134
earthstoneovens.com

MODEL 60 Modular
WOOD-FIRED OVEN



8" CONCRETE BLOCK
FOR BASE COURSES
4" BLOCK AROUND OVEN
(UPPER COURSES)


EARTHSTONE
WOOD-FIRE OVENS

6717 San Fernando Road
Glendale CA 91201
Tel: 800-840-4915 - 818-553-1134
earthstoneovens.com

Free Manuals Download Website

<http://myh66.com>

<http://usermanuals.us>

<http://www.somanuals.com>

<http://www.4manuals.cc>

<http://www.manual-lib.com>

<http://www.404manual.com>

<http://www.luxmanual.com>

<http://aubethermostatmanual.com>

Golf course search by state

<http://golfingnear.com>

Email search by domain

<http://emailbydomain.com>

Auto manuals search

<http://auto.somanuals.com>

TV manuals search

<http://tv.somanuals.com>