

**EARTHQUAKE MARINE SPEAKERS**  
Owner's Manual & Warranty

**M5**

2-WAY 5" COAXIAL SPEAKER



**M6**

2-WAY 6" COAXIAL SPEAKER



**MC5**

5" MATCHED COMPONENT SET



**MC6**

6" MATCHED COMPONENT SET



# MARINE

## High-Performance, Protection and Sound Quality

### Table of Content

Page# 3.....Warranty guidelines

Page# 4.....Components set dimensions

Page# 5.....Coaxial dimensions / Coaxial and component specs

Page# 6 & 7.....Instalation

Thank you for choosing Earthquake Sound's line of Earthquake Marine coaxial and component sets for superior enhancement of your water craft audio system. With proper installation and responsible listening, your marine speakers will give you years of near perfect sound reproduction.

We strongly recommend you to have your new marine speakers installed by an authorized Earthquake Sound dealer: Installation professionals employed by your dealer have the correct tools and knowledge to install your speakers neatly and successfully. Also, when your new products are installed by an authorized dealer, your product will include a FIVE YEAR LIMITED WARRANTY. If you choose to perform your own installation, your warranty will be subject to limitations. Dealer policies on handling warranty requests may vary from one dealer to the next. Please read the warranty information in its entirety and use good judgment when making these vital decisions.

Please keep this warranty information in your files for future reference if necessary. It is recommended that you stick your serial number here for future reference.

SERIAL NUMBER

### **Five (5) year limited warranty:**

Earthquake warrants the original purchaser that all Factory Sealed New Audio Products be free from defects in material and workmanship under normal and proper use for a period of five (5) years from the date of purchase (as shown on the original bill of sale with serial number affixed/written on it). The five (5) year warranty period is valid only if an authorized Earthquake dealer properly installs the product and the warranty registration card is properly filled out and sent to Earthquake Sound Corporation. If a non-authorized party installs the product a ninety (90) day warranty period will be applied.

### **(A) Five (5) years limited warranty plan coverage guidelines:**

- **First year:** Earthquake pays for labor, parts, and return ground freight (only in US mainland, not including Alaska and Hawaii).
- **Second year:** Earthquake pays for labor and parts only, customer must pay freight both ways.
- **Third, fourth & fifth year:** Earthquake pays for labor only. Customer must pay for parts and freight both ways.

### **(B) Warning:**

Products (sent for repair) that are tested by Earthquake technicians and deemed to have no problem(s) will not be covered by the five (5) year limited warranty. Customer will be charged a minimum of one (1) hour of labor (ongoing rates) plus shipping charges back to customer.

### **(C) Earthquake will repair or replace - at our option - all defective products/parts subject to the following provisions:**

- Defective products/parts have not been altered or repaired by other than an Earthquake factory approved technician.
- Products/parts are not subjected to negligence, misuse, improper use, or accident, damaged by improper line voltage, used with incompatible products, or have its serial number or any part of it altered, defaced or removed, or have been used in any way that is contrary to Earthquake's written instructions.

### **(D) Warranty Limitations:**

Warranty does not cover products that have been modified or abused. Including but not limited to the following:

- Damages to speaker cabinet and cabinet finish due to misuse, abuse, or use of improper use of cleaning materials/methods.
- Bent speaker frame, broken speaker connectors, holes in speaker cone, surround & dust cap, burnt speaker voice coil.
- Fading, deterioration of speaker components & finish due to improper exposure to elements.
- Bent amplifier casing, damaged finish on the casing due to abuse, misuse, or improper use of cleaning material.
- Burnt traces on PCB.
- Product/part damaged due to poor packaging or abusive shipping conditions.
- Subsequent damage to other products.

**A** warranty claim will not be valid if the warranty registration card is not properly filled out & returned to Earthquake with a copy of the sales invoice.

### **(E) Service Request:**

To receive product/s service, contact Earthquake's service department at (510) 732-1000 and request an RMA number (Return Material Authorization); items shipped without a valid RMA number will be refused. Make sure you provide us with your complete/correct shipping address, a valid phone number, and a brief description of the problem you are experiencing with the product. In most cases, our technicians might be able to resolve the problem over the phone, thus eliminating the need to ship the product.

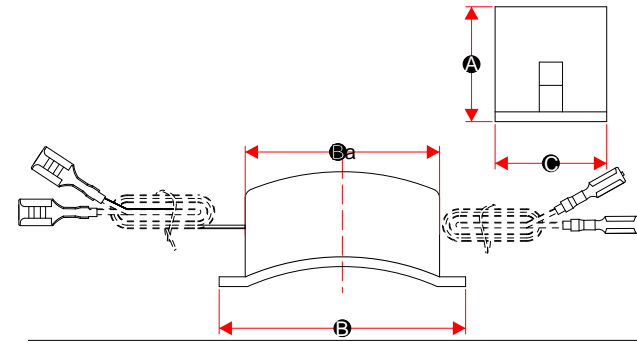
### **(F) Shipping Instructions:**

Product/s must be packaged in its original protective box(s) to minimize transport damage. Shipping claims regarding items damaged in transit must be presented to carrier. Earthquake Sound Corporation reserves the right to refuse any products improperly packed. Original bill of sale must accompany product returned for service. We encourage you to include with the package a written description of the problem. Ship product to: Earthquake Sound Corp. 2727 Mc Cone Avenue, Hayward, CA 94545. Ph (510) 732-1000. You are responsible for the cost of shipping the product to Earthquake Sound Corporation.

### **(G) Disputes Resolution:**

All disputes - between clients and Earthquake Sound Corporation - resulting from the five (5) years limited warranty policy must be resolved according to the laws & regulations of the county of Alameda -California.

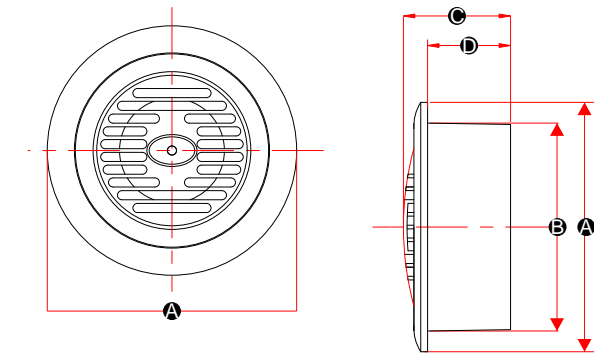
### MC Crossover Dimensions



This diagram displays only the crossover. Mounting components vary in size.

Height <b>A</b>	.97" • 24.7mm
Width <b>B<sub>a</sub></b>	1.64" • 41.8mm
Width <b>B</b>	2.08" • 53mm
Depth <b>D</b>	.94" • 24mm

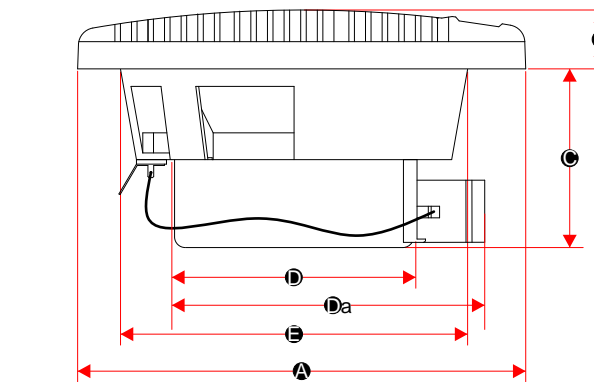
### MC, Tweeter Dimensions



This diagram displays only the raw tweeter. Mounting components vary in size.

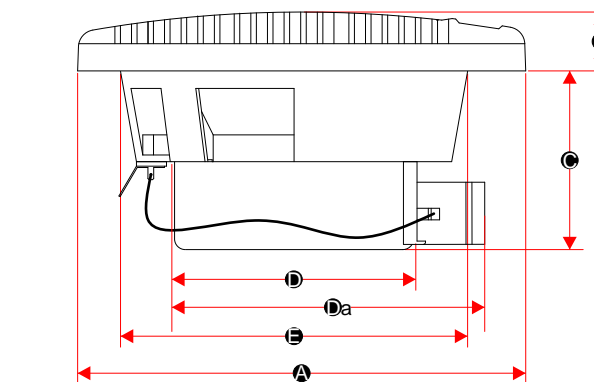
Trim Ring Diameter <b>A</b>	2.15", 54.7mm
Cut Out Hole Diameter <b>B</b>	1.79", 45.6mm
Total Depth <b>C</b>	.925", 23.5mm
Mounting Depth <b>D</b>	.71", 18.2mm

### MC5 WOOFER DIMENSIONS



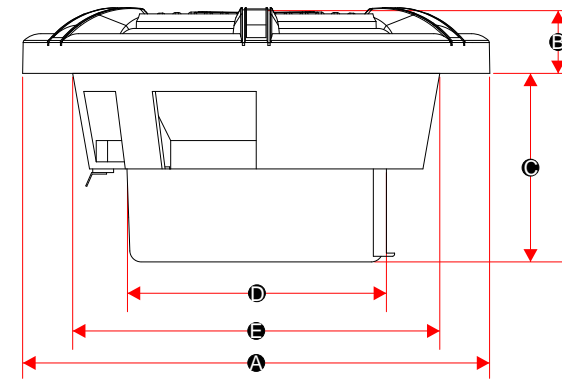
<b>A</b> Grille tray outer diameter	166.5mm • 6.55"
<b>B</b> Grille protrusion	20mm • .78"
<b>C</b> Mounting depth	61mm • 2.40"
<b>D</b> Magnet width	87mm • 3.42"
<b>D<sub>a</sub></b> Magnet width + crossover	+ 20mm • .78" for x-over
<b>E</b> Cut out hole	129.0mm • 5.07"

### MC6 WOOFER DIMENSIONS



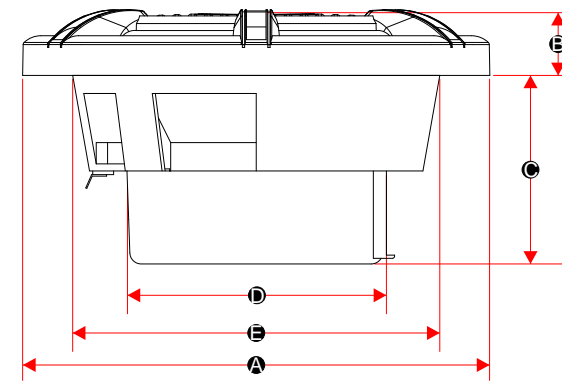
<b>A</b> Grille tray outer diameter	190.5mm • 7.5"
<b>B</b> Grille protrusion	29.5mm • 1.16"
<b>C</b> Mounting depth	59mm • 2.32"
<b>D</b> Magnet width	90mm • 3.54"
<b>D<sub>a</sub></b> Magnet width + crossover	+ 20mm • .78" for x-over
<b>E</b> Cut out hole	147mm • 5.78"

### M5 COAXIAL DIMENSIONS



<b>A</b> Grille tray outer diameter	165.5mm • 6.51"
<b>B</b> Grille protrusion	21mm • .82"
<b>C</b> Mounting depth	62mm • 2.44"
<b>D</b> Magnet width	87mm • 3.42"
<b>E</b> Cut out hole	130.0mm • 5.11"

### M6 COAXIAL DIMENSIONS



<b>A</b> Grille tray outer diameter	190.2mm • 7.48"
<b>B</b> Grille protrusion	26mm • 1.02"
<b>C</b> Mounting depth	59mm • 2.32"
<b>D</b> Magnet width	90mm • 3.54"
<b>E</b> Cut out hole	147mm • 5.78"

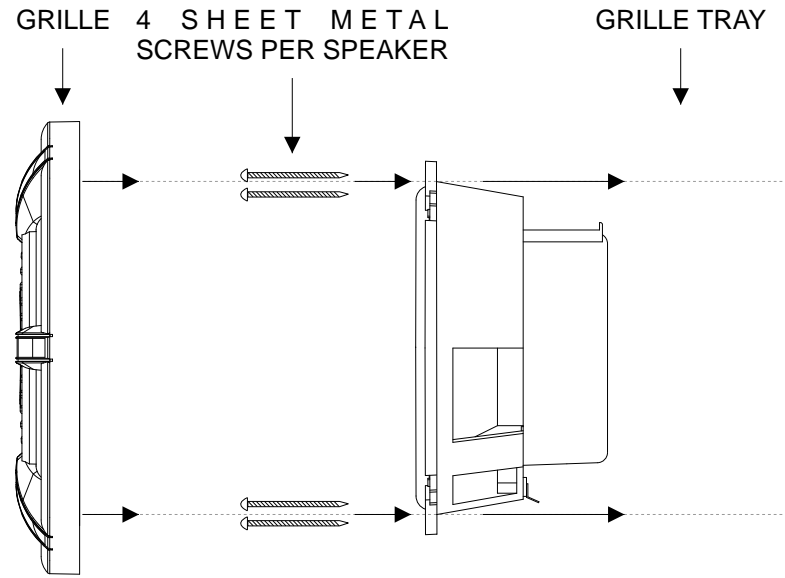
### MARINE MATCHED COMPONENT SPECIFICATIONS

Model	MC5 (2-way)	MC6 (2-way)
<b>Woofers</b>	<ul style="list-style-type: none"> <li>5" UV treated poly injection cone body</li> <li>25mm (over 1") ASV voice coil</li> <li>Butyl rubber surround</li> </ul>	<ul style="list-style-type: none"> <li>6.5" UV treated poly injection cone body</li> <li>30mm (almost 1.25") ASV voice coil</li> <li>Butyl rubber surround</li> </ul>
<b>Tweeter</b>	<ul style="list-style-type: none"> <li>20mm • .78" PEI dome</li> </ul>	<ul style="list-style-type: none"> <li>20mm • .78" PEI dome</li> </ul>
<b>Crossover Networks</b>	<ul style="list-style-type: none"> <li>2-way network</li> <li>Completely sealed</li> </ul>	<ul style="list-style-type: none"> <li>2-way network</li> <li>Completely sealed</li> </ul>
<b>Frequency Response</b>	50Hz-22kHz	45Hz-22kHz
<b>Rec. Amp power</b>	75 watts RMS • 145 watts max	85 watts RMS • 165 watts max
<b>Sensitivity</b>	89 dB @ 1W/1M	89 dB @ 1W/1M
<b>Nominal Impedance</b>	4 ohm	4 ohm

### MARINE COAXIAL SPECIFICATIONS

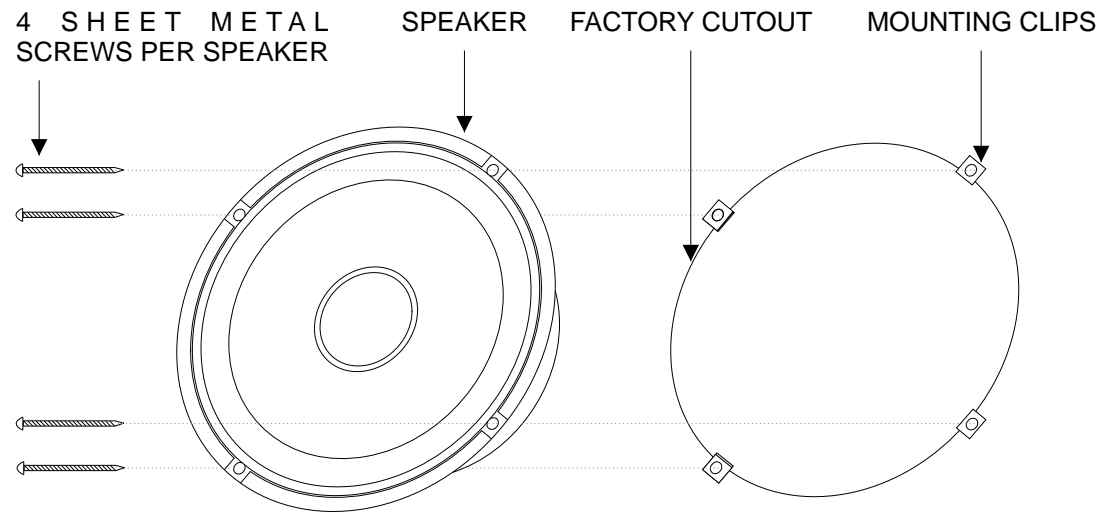
Model	M5 (2-way)	M6 (2-way)
<b>Woofers</b>	<ul style="list-style-type: none"> <li>5" UV treated poly injection cone body</li> <li>Sealed motor structure</li> <li>25mm (over 1") VC</li> <li>Butyl rubber surround</li> </ul>	<ul style="list-style-type: none"> <li>6" UV treated poly injection cone body</li> <li>Sealed motor structure</li> <li>25mm (over 1") VC</li> <li>Butyl rubber surround</li> </ul>
<b>Tweeter</b>	<ul style="list-style-type: none"> <li>20mm • .78" mylar dome</li> </ul>	<ul style="list-style-type: none"> <li>20mm • .78" mylar dome</li> </ul>
<b>Rec. Amp power</b>	50-130 Watts RMS	60-180 Watts RMS
<b>Frequency Response</b>	65Hz - 20kHz (±3dB)	55Hz to 20kHz (±3dB)
<b>Sensitivity</b>	89 dB @ 1W/1M	90 dB @ 1W/1M
<b>Nominal Impedance</b>	4 ohm	4 ohm

**CUSTOM SPEAKER INSTALLATION**



**NOTE:**  
INSTALLATION APPLIES TO BOTH COMPONENT AND COAXIAL SPEAKERS

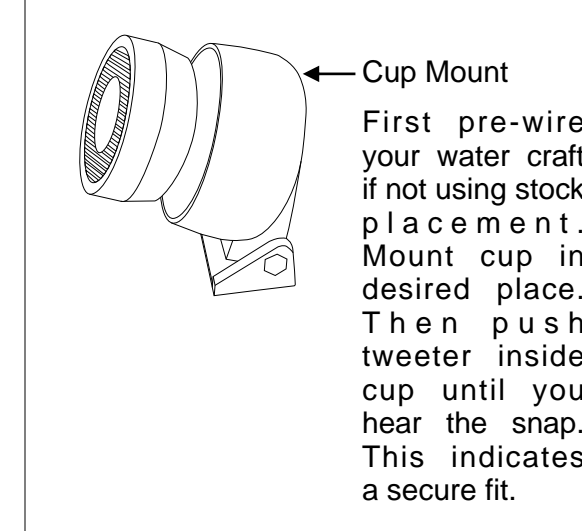
**FACTORY REPLACEMENT INSTALLATION**



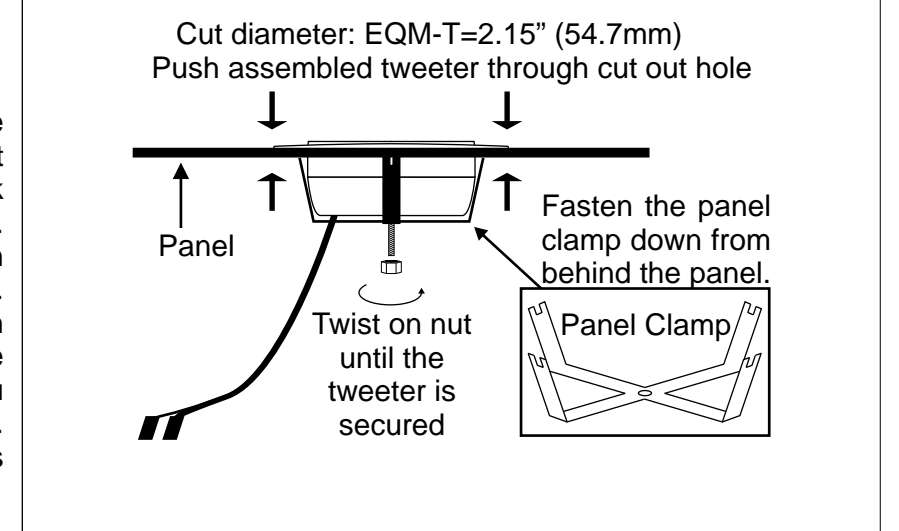
**NOTE:**  
INSTALLATION APPLIES TO BOTH COMPONENT AND COAXIAL SPEAKERS

**NOTE:**  
Hand tighten the screws in a crisscross pattern to avoid bending the speaker basket or stripping screws.

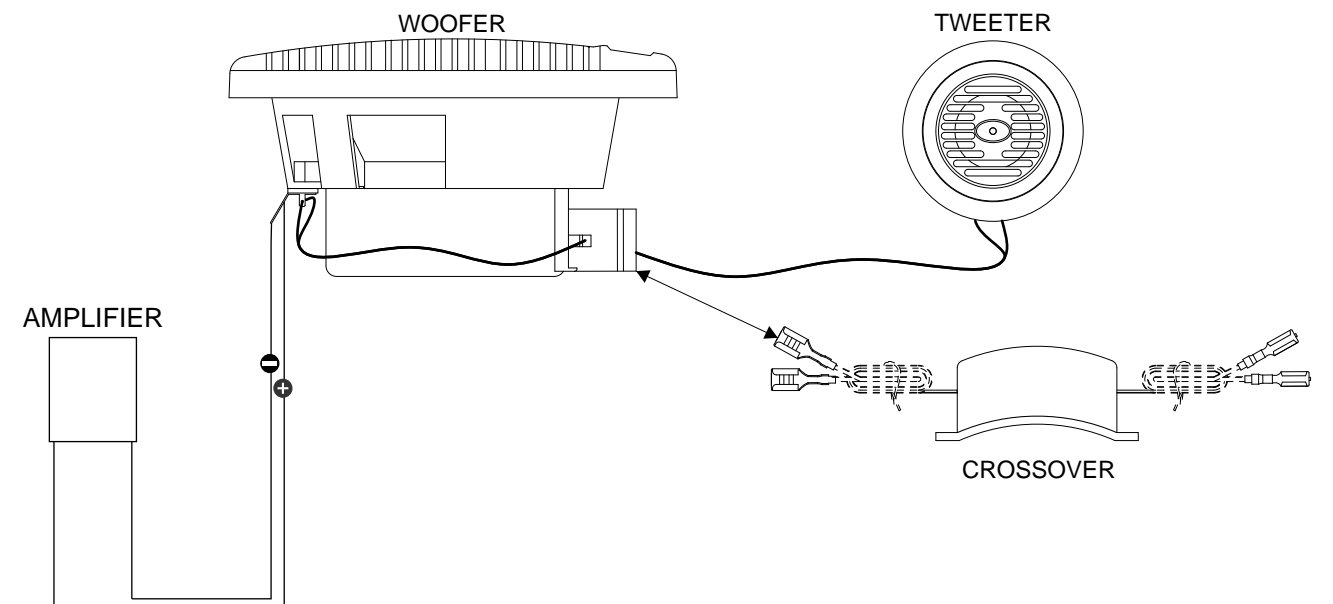
**SURFACE MOUNT**



**FLUSH MOUNT COMPLETE ASSEMBLY**



**COMPONENT SET WIRING DIAGRAM**



## Free Manuals Download Website

<http://myh66.com>

<http://usermanuals.us>

<http://www.somanuals.com>

<http://www.4manuals.cc>

<http://www.manual-lib.com>

<http://www.404manual.com>

<http://www.luxmanual.com>

<http://aubethermostatmanual.com>

Golf course search by state

<http://golfingnear.com>

Email search by domain

<http://emailbydomain.com>

Auto manuals search

<http://auto.somanuals.com>

TV manuals search

<http://tv.somanuals.com>