

**Table of Contents**

Page# 3.....Warranty guidelines  
Page# 4.....Components set dimensions  
Page# 5.....Components set features and specifications  
Page# 6 & 7.....Coaxial speaker dimensions  
Page# 8.....Coaxial speaker features and specifications  
Page# 9.....Speaker installation  
Page# 10.....Separate installation/ Component set wiring diagram  
Page# 11.....Warranty card

Thank you for choosing Earthquake Sound's line of VTEK coaxial and component speakers for superior enhancement of your vehicle's audio system. With proper installation and responsible listening, your VTEK speakers will give you years of near perfect sound reproduction.

We strongly recommend you to have your new VTEK speakers installed by an authorized Earthquake Sound dealer: Installation professionals employed by your dealer have the correct tools and knowledge to install your speakers neatly and successfully. Also, when your new products are installed by an authorized dealer, your product will include a FIVE YEAR LIMITED WARRANTY. If you choose to perform your own installation, your warranty will be subject to limitations. Over the counter authorized dealer warranties may vary from one dealer to the next. Please read the warranty information in its entirety and use good judgment when making these vital decisions.

## High-Performance and Sound Quality



**Five (5) year limited warranty:**

Earthquake warrants the original purchaser that all Factory Sealed New Audio Products be free from defects in material and workmanship under normal and proper use for a period of five (5) years from the date of purchase (as shown on the original bill of sale with serial number affixed/written on it). The five (5) year warranty period is valid only if an authorized Earthquake dealer properly installs the product and the warranty registration card is properly filled out and sent to Earthquake Sound Corporation. If a non-authorized party installs the product a ninety (90) day warranty period will be applied.

**(A) Five (5) years limited warranty plan coverage guidelines:**

- **First year:** Earthquake pays for labor, parts, and ground freight (only in US mainland, not including Alaska and Hawaii).
- **Second year:** Earthquake pays for labor and parts only, customer must pay freight both ways.
- **Third, fourth & fifth year:** Earthquake pays labor only. Customer must pay for parts and freight both ways.

**(B) Warning:**

Products (sent for repair) that are tested by Earthquake technicians and deemed to have no problem(s) will not be covered by the five (5) year limited warranty. Customer will be charged a minimum of one (1) hour of labor (ongoing rates) plus shipping charges back to customer.

**(C) Earthquake will repair or replace - at our option - all defective products/parts subject to the following provisions:**

- Defective products/parts have not been altered or repaired by other than an Earthquake factory approved technician.
- Products/parts are not subjected to negligence, misuse, improper use, or accident, damaged by improper line voltage, used with incompatible products, or have its serial number or any part of it altered, defaced or removed, or have been used in any way that is contrary to Earthquake's written instructions.

**(D) Warranty Limitations:**

Warranty does not cover products that have been modified or abused. Including but not limited to the following:

- Damages to speaker cabinet and cabinet finish due to misuse, abuse, or use of improper use of cleaning materials/methods.
- Bent speaker frame, broken speaker connectors, holes in speaker cone, surround & dust cap, burnt speaker voice coil.
- Fading, deterioration of speaker components & finish due to improper exposure to elements.
- Bent amplifier casing, damaged finish on the casing due to abuse, misuse, or improper use of cleaning material.
- Burnt tracers on PCB.
- Product/part damaged due to poor packaging or abusive shipping conditions.
- Subsequent damage to other products.

**A** warranty claim will not be valid if the warranty registration card is not properly filled & returned to Earthquake with a copy of the sales invoice.

**(E) Service Request:**

To receive product/s service, contact Earthquake service department at (510) 732-1000 and request an RMA number (Return Material Authorization), items shipped without a valid RMA number will be refused. Make sure you provide us with your complete/correct shipping address, a valid phone number, and a brief description of the problem you are experiencing with the product. In most cases, our technicians might be able to resolve the problem over the phone, thus eliminating the need to ship the product.

**(F) Shipping Instructions:**

Product/s must be packaged in its original protective box(s) to minimize transport damage. Shipper claims regarding items damaged in transit must be presented to carrier. Earthquake Sound Corporation reserves the right to refuse product improperly packed. Original bill of sale must accompany product returned for service. We encourage you to include with the package a written description of the problem. Ship product to: Earthquake Sound Corp. 2727 Mc Cone Avenue, Hayward, CA 94545. Ph (510) 732-1000. You are responsible for the cost of shipping the product to Earthquake Sound Corporation.

**(G) Disputes Resolution:**

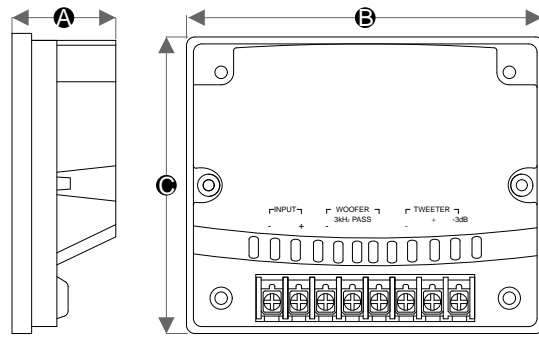
All disputes - between clients and Earthquake Sound Corporation - resulting from the five (5) years limited warranty policy must be resolved according to the laws & regulations of the county of Alameda -California.

Please keep this warranty information in your files for future reference if necessary. It is recommended that you stick your serial number here for future reference.

**Alternatively you may register your products online at [http://earthquakesound.com/form\\_reg.htm](http://earthquakesound.com/form_reg.htm)**

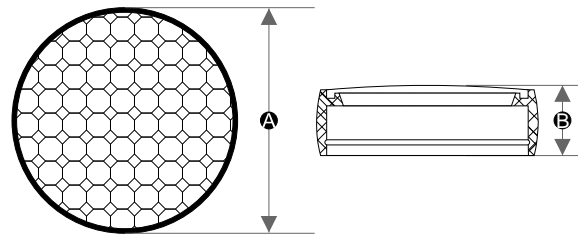
SERIAL NUMBER

### VTEK Component Crossover Dimensions (For 5" and 6" sets)



Height <b>A</b>	1.405", 35.7mm
Width <b>B</b>	5.07", 129mm
Depth <b>C</b>	4.21", 107mm

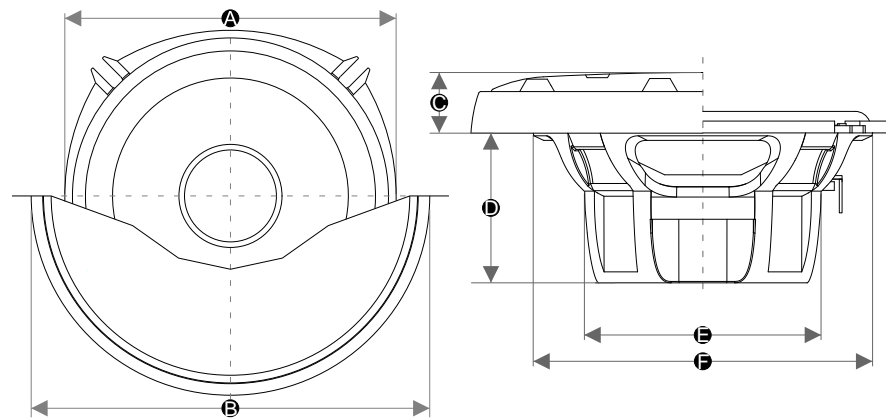
### VTEK-25C Dimensions



This diagram displays only the raw tweeter. Mounting components vary in size.

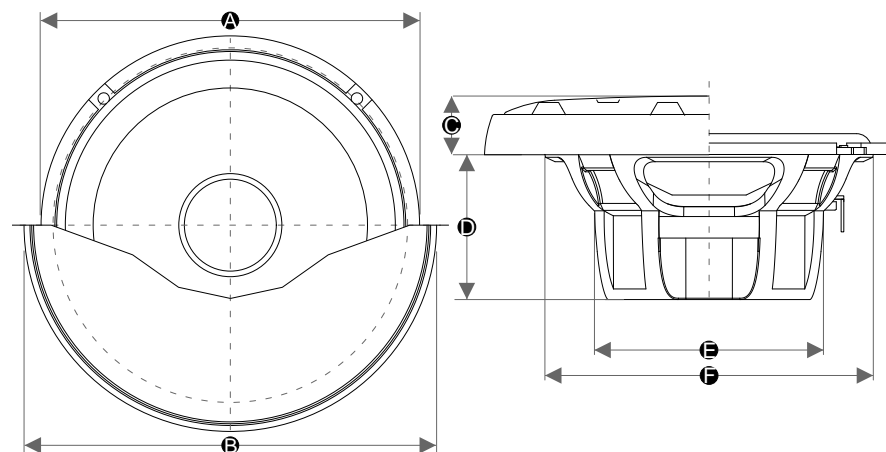
Diameter <b>A</b>	1.405", 35.7mm
Height <b>B</b>	.75", 19.05mm

### VTEK-5C Dimensions



<b>A</b> Frame outer diameter	5.13", 130.34mm
<b>B</b> Grille tray outer diameter	6.49", 165mm
<b>C</b> Grille protrusion	.71", 18.034mm
<b>D</b> Mounting depth	1.92", 49mm
<b>E</b> Magnet width	4.21", 107mm
<b>F</b> Cut out hole	4.21", 107mm

### VTEK-6C Dimensions



<b>A</b> Frame outer diameter	6.49", 165mm
<b>B</b> Grille tray outer diameter	7.07", 179.5mm
<b>C</b> Grille protrusion	0.94", 24mm
<b>D</b> Mounting depth	2.51", 64mm
<b>E</b> Magnet width	4.03", 102.29mm
<b>F</b> Cut out hole	5.66", 144mm

All specifications are subject to change without notice.

### VTEK MATCHED COMPONENT SPECIFICATIONS

Model	VTEK-MC5	VTEK-MC6
<b>Woofers</b>	<ul style="list-style-type: none"> <li>5" driver / electroplated carbon fiber cone body</li> <li>25mm (over 1") ASV voice coil</li> <li>Nomax/Romax high-performance spider</li> <li>Over hung butyl rubber surround</li> </ul>	<ul style="list-style-type: none"> <li>6.5" driver / electroplated carbon fiber cone body</li> <li>30mm (almost 1.25") ASV voice coil</li> <li>Nomax/Romax high-performance spider</li> <li>Over hung butyl rubber surround</li> </ul>
<b>Tweeter</b> Frequency Response: 1,500Hz - 22kHz	<ul style="list-style-type: none"> <li>1" silk dome</li> <li>Soft rubber suspension</li> <li>Neodymium magnet</li> <li>Multiple mounting positions</li> </ul>	<ul style="list-style-type: none"> <li>1" silk dome</li> <li>Soft rubber suspension</li> <li>Neodymium magnet</li> <li>Multiple mounting positions</li> </ul>
<b>Crossover Networks</b>	<ul style="list-style-type: none"> <li>2-way network</li> <li>Military grade polypropylene film capacitors</li> <li>+3db/-3dB tweeter &amp; woofer adjustment</li> <li>Poly switch tweeter protection</li> </ul>	<ul style="list-style-type: none"> <li>2-way network</li> <li>Military grade polypropylene film capacitors</li> <li>+3db/-3dB tweeter &amp; woofer adjustment</li> <li>Poly switch tweeter protection</li> </ul>
<b>Power Recommendations</b>	50 - 500 Watts	50 - 600 Watts
<b>Frequency Response</b>	45Hz - 23kHz (±3dB)	40Hz - 23kHz (±3dB)
<b>Sensitivity</b>	91dB @ 1W/1M	91dB @ 1W/1M
<b>Nominal Impedance</b>	4 ohm	4 ohm

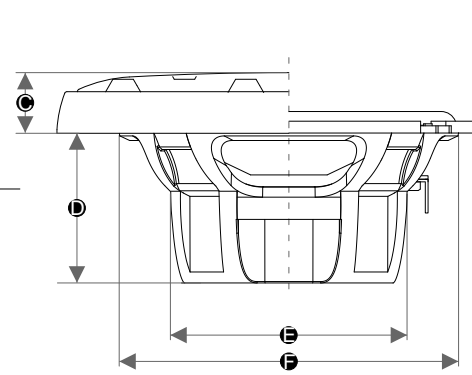
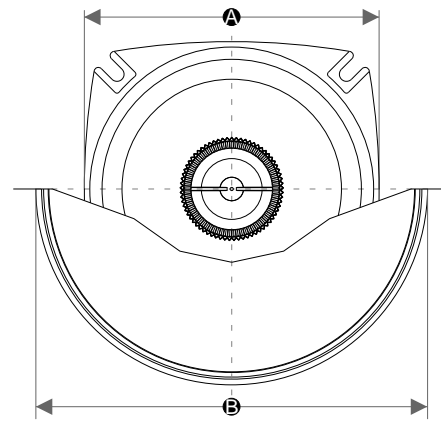
### VTEK-MC5 Included Components and Parts

- Two VTEK-5w, 5.0-inch (127mm) carbon fiber woofers
- Two VTEK-25t, 1-inch (25mm) silk dome tweeters
- Two VTEK-500c crossover networks
- Two compact flush-mount fixtures
- Two compact angle-mount fixtures
- Two compact surface-mount fixtures
- Two metal woofer grilles with trays
- Two compact angle-mount fixtures
- Butyl adhesive putty for woofer grilles
- Twelve 8 x 1.25" (30mm) sheet metal screws
- Four 6 x .625" (16mm) sheet metal screws
- Two 1-inch (25mm) machine screws
- Two metal spring clips for tweeter fixtures
- Eight mounting clips for woofer mounting
- Two 6.4mm female crimpable connectors
- Two 4.7mm male crimpable connectors
- Two 2.8mm male crimpable connectors
- Twelve crimpable spade connectors

### VTEK-MC6 Included Components and Parts

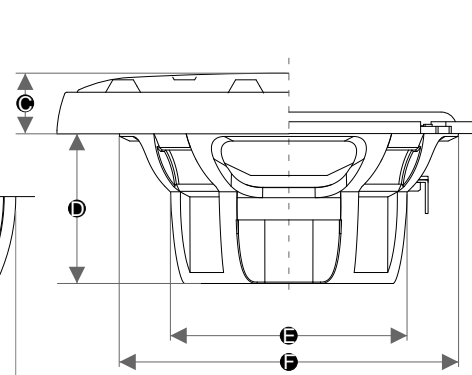
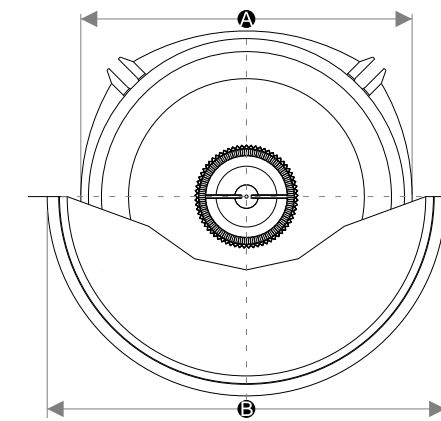
- Two VTEK-6w, 6.50-inch (160mm) carbon fiber woofers
- Two VTEK-25t, 1-inch (25mm) silk dome tweeters
- Two VTEK-650c crossover networks
- Two compact flush-mount fixtures
- Two compact angle-mount fixtures
- Two compact surface-mount fixtures
- Two metal woofer grilles with trays
- Two compact angle-mount fixtures
- Butyl adhesive putty for woofer grilles
- Twelve 8 x 1.25" (30mm) sheet metal screws
- Four 6 x .625" (16mm) sheet metal screws
- Two 1-inch (25mm) machine screws
- Two metal spring clips for tweeter fixtures
- Eight mounting clips for woofer mounting
- Two 6.4mm female crimpable connectors
- Two 4.7mm male crimpable connectors
- Two 2.8mm male crimpable connectors
- Twelve crimpable spade connectors

### VTEK-42 Dimensions



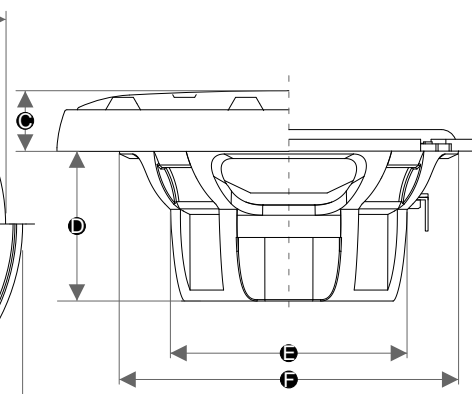
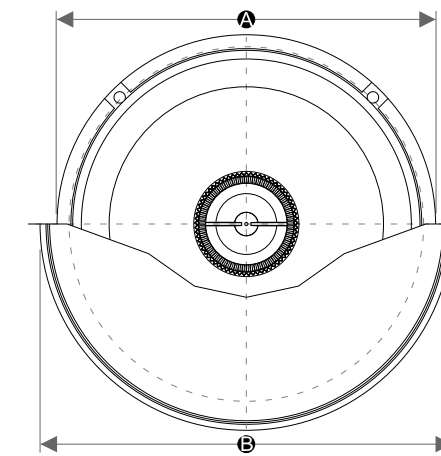
Ⓐ Frame outer diameter	4.5" • 114.3mm
Ⓑ Grille tray outer diameter	5.75" • 146.05mm
Ⓒ Grille protrusion	.079" • 20.066mm
Ⓓ Mounting depth	1.81" • 46mm
Ⓔ Magnet width	2.96" • 75.34mm
Ⓕ Cut out hole	3.72" • 94.69mm

### VTEK-52 Dimensions



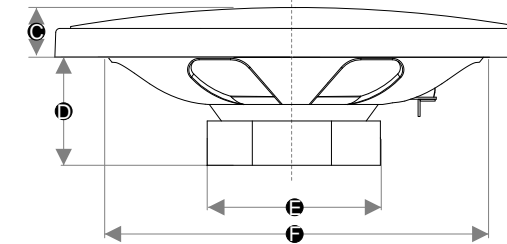
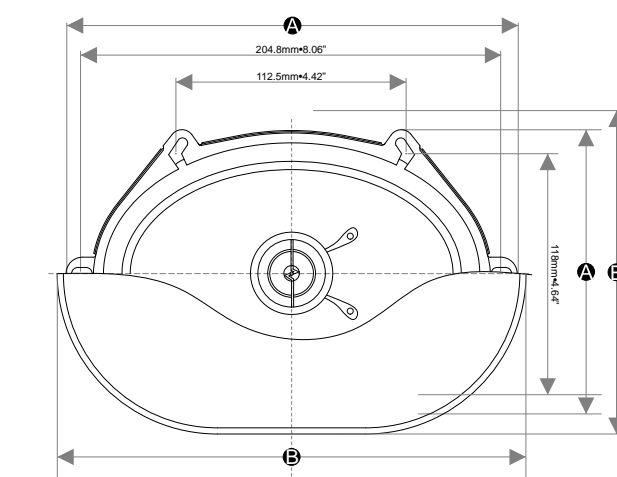
Ⓐ Frame outer diameter	5.13" • 130.34mm
Ⓑ Grille tray outer diameter	6.50" • 165mm
Ⓒ Grille protrusion	0.70" • 17.6mm
Ⓓ Mounting depth	2.023" • 51.4mm
Ⓔ Magnet width	3.22" • 81.93mm
Ⓕ Cut out hole	4.72" • 120mm

### VTEK-62 Dimensions



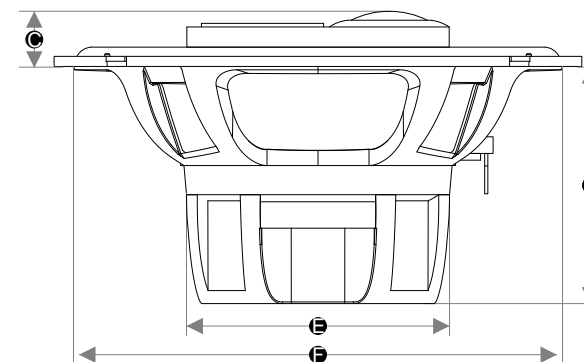
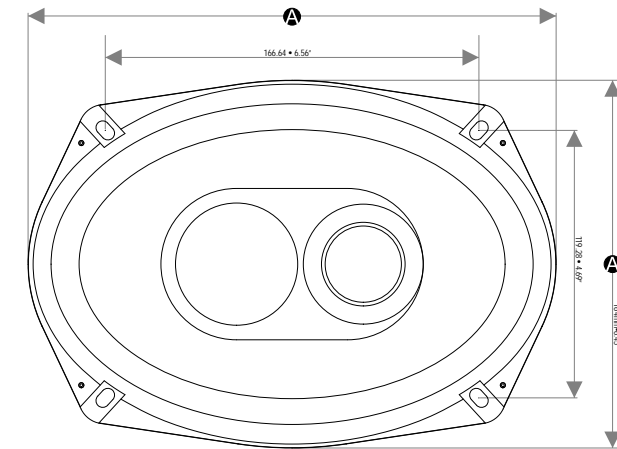
Ⓐ Frame outer diameter	6.49" • 165mm
Ⓑ Grille tray outer diameter	7.07" • 179.5mm
Ⓒ Grille protrusion	0.94" • 24mm
Ⓓ Mounting depth	2.51" • 64mm
Ⓔ Magnet width	4.03" • 102.29mm
Ⓕ Cut out hole	5.74" • 146mm

### VTEK-57 Dimensions



Ⓐ Frame outer diameter	8.64" x 5.51" • 219 x 140mm
Ⓑ Grille tray outer diameter	6.49" • 165mm
Ⓒ Grille protrusion	0.89" • 22.606mm
Ⓓ Mounting depth	2.32" • 59mm
Ⓔ Magnet width	3.46" • 88mm
Ⓕ Cut out hole	7.20 x 5.07" • 183 x 129mm

### VTEK-693 Dimensions



Ⓐ Frame outer diameter	9.27" x 6.45" • 235 x 164mm
Ⓑ Grille tray outer diameter	
Ⓒ Grille protrusion	1.42" • 36.068mm
Ⓓ Mounting depth	3.75" • 95.25mm
Ⓔ Magnet width	4.33" • 110mm
Ⓕ Cut out hole	8.58" x 5.66" • 218.03 x 144mm

**VTEK COAXIAL SPECIFICATIONS**

Model	VTEK-42	VTEK-52 VTEK-52Xi	VTEK-57 VTEK-57Xi	VTEK-62 VTEK-62Xi	VTEK-693
<b>Woofers</b>	<ul style="list-style-type: none"> <li>• 4" diameter</li> <li>• Glass fiber cone</li> <li>• 25mm ASV VC</li> <li>• NOMEX/ROMEX spider assembly</li> <li>• PistonMax™</li> </ul>	<ul style="list-style-type: none"> <li>• 5-1/4" diameter</li> <li>• Glass fiber cone</li> <li>• 25mm ASV VC</li> <li>• NOMEX/ROMEX spider assembly</li> <li>• PistonMax™</li> </ul>	<ul style="list-style-type: none"> <li>• 5" x 7" diameter</li> <li>• Glass fiber cone</li> <li>• 25mm ASV VC</li> <li>• NOMEX/ROMEX spider assembly</li> <li>• PistonMax™</li> </ul>	<ul style="list-style-type: none"> <li>• 6-1/2" diameter</li> <li>• Glass fiber cone</li> <li>• 25mm ASV VC</li> <li>• NOMEX/ROMEX spider assembly</li> <li>• PistonMax™</li> </ul>	<ul style="list-style-type: none"> <li>• 6" x 9" diameter</li> <li>• Glass fiber cone</li> <li>• 30mm KSV VC</li> <li>• NOMEX/ROMEX spider assembly</li> <li>• PistonMax™</li> </ul>
<b>Tweeter</b>	<ul style="list-style-type: none"> <li>• 20mm</li> <li>• Silk dome</li> <li>• Neodymium magnet</li> <li>• Multiple mounting positions</li> </ul>	<ul style="list-style-type: none"> <li>• 20mm</li> <li>• Silk dome</li> <li>• Neodymium magnet</li> <li>• Multiple mounting positions</li> </ul>	<ul style="list-style-type: none"> <li>• 20mm</li> <li>• Silk dome</li> <li>• Neodymium magnet</li> <li>• Multiple mounting positions</li> </ul>	<ul style="list-style-type: none"> <li>• 20mm</li> <li>• Silk dome</li> <li>• Neodymium magnet</li> <li>• Multiple mounting positions</li> </ul>	<ul style="list-style-type: none"> <li>• 20mm</li> <li>• Silk dome</li> <li>• Neodymium magnet</li> <li>• Multiple mounting positions</li> </ul>
<b>Mid-range</b>	N/A	N/A	N/A	N/A	• 2" (50.8mm)
<b>Recommended Amplifier Power</b>	50 - 300 Watts	50 - 400 Watts	50 - 400 Watts	50 - 500 Watts	50 - 700 Watts
<b>Frequency Response</b>	75Hz - 22kHz (±3dB)	55Hz to 22kHz (±3dB)	40Hz to 22kHz (±3dB)	45Hz to 22kHz (±3dB)	25Hz-22kHz (±3dB)
<b>Sensitivity</b>	89 dB @ 1W/1M	89 dB @ 1W/1M	90 dB @ 1W/1M	90 dB @ 1W/1M	92 dB @ 1W/1M
<b>Nominal Impedance</b>	4 ohm	<b>VTEK-52:</b> 4-Ohm <b>VTEK-52Xi:</b> 2-Ohm	<b>VTEK-57:</b> 4-Ohm <b>VTEK-57Xi:</b> 2-Ohm	<b>VTEK-62:</b> 4-Ohm <b>VTEK-62Xi:</b> 2-Ohm	4 ohm

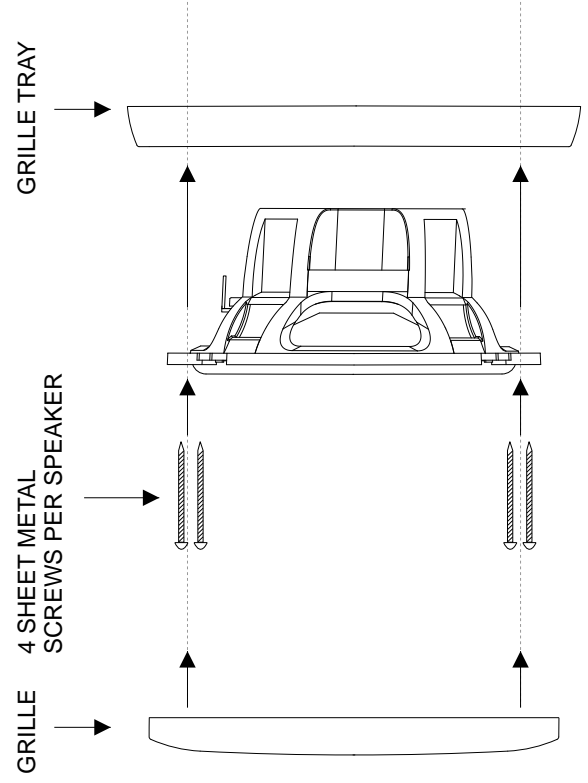
<p><b>VTEK-693 INCLUDE</b></p> <ul style="list-style-type: none"> <li>• Two VTEK 6" x 9" glass fiber cone woofers w/ built-in adjustable 20mm silk dome tweeters and two-inch mid-range tweeters</li> <li>• Two matching metal woofer grilles with trays</li> <li>• Butyl adhesive putty for woofer grilles</li> <li>• Eight(8) speaker mounting clips</li> <li>• Eight(8) 2" (50.8mm) sheet metal screws</li> <li>• Two sets of specially designed speaker cables</li> </ul>	<p><b>VTEK-57 INCLUDE</b></p> <ul style="list-style-type: none"> <li>• Two VTEK 5" x 7" Carbon fiber cone woofers w/ built-in adjustable 20mm silk dome tweeters</li> <li>• Two matching metal woofer grilles with trays</li> <li>• Butyl adhesive putty for woofer grilles</li> <li>• Eight(8) speaker mounting clips</li> <li>• Eight (8) 1.5" (38.1mm) sheet metal screws</li> <li>• Two sets of specially designed speaker cables</li> </ul>
<p><b>VTEK-62 INCLUDE</b></p> <ul style="list-style-type: none"> <li>• Two VTEK 6-1/4" glass fiber cone woofers w/ built-in adjustable 20mm silk dome tweeters</li> <li>• Two matching metal woofer grilles with trays</li> <li>• Butyl adhesive putty for woofer grilles</li> <li>• Eight(8) speaker mounting clips</li> <li>• Eight(8) 1.35" (34.925mm) sheet metal screws</li> <li>• Two sets of specially designed speaker cables</li> </ul>	<p><b>VTEK-52 INCLUDE</b></p> <ul style="list-style-type: none"> <li>• Two VTEK 5-1/4" glass fiber cone woofers w/ built-in adjustable 20mm silk dome tweeters</li> <li>• Two matching metal woofer grilles with trays</li> <li>• Butyl adhesive putty for woofer grilles</li> <li>• Eight(8) speaker mounting clips</li> <li>• Eight (8) 1" (25.4mm) sheet metal screws</li> <li>• Two sets of specially designed speaker cables</li> </ul>
<p><b>VTEK-42 INCLUDE</b></p> <ul style="list-style-type: none"> <li>• Two VTEK 4" glass fiber cone woofers w/ built-in adjustable 20mm silk dome tweeters</li> <li>• Two matching metal woofer grilles with trays</li> <li>• Butyl adhesive putty for woofer grilles</li> <li>• Eight(8) speaker mounting clips</li> <li>• Eight(8) 1" (25.4mm) sheet metal screws</li> <li>• Two sets of specially designed speaker cables</li> </ul>	

**NOTE:**  
INSTALLATION APPLIES TO BOTH COMPONENT AND COAXIAL SPEAKERS

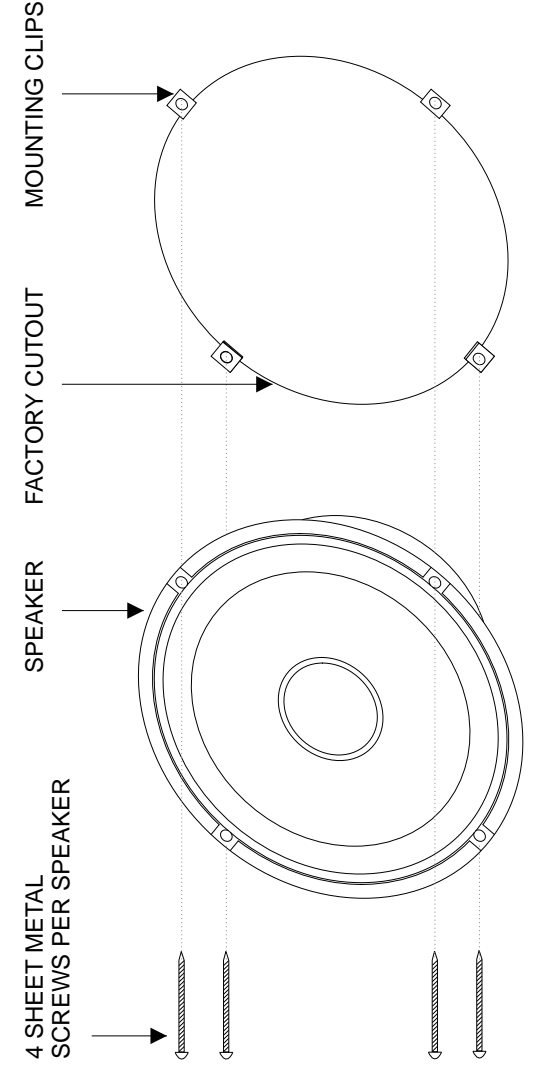
**NOTE:**  
INSTALLATION APPLIES TO BOTH COMPONENT AND COAXIAL SPEAKERS

**NOTE:**  
Hand tighten the screws in a crisscross pattern to avoid bending the speaker basket or stripping screws.

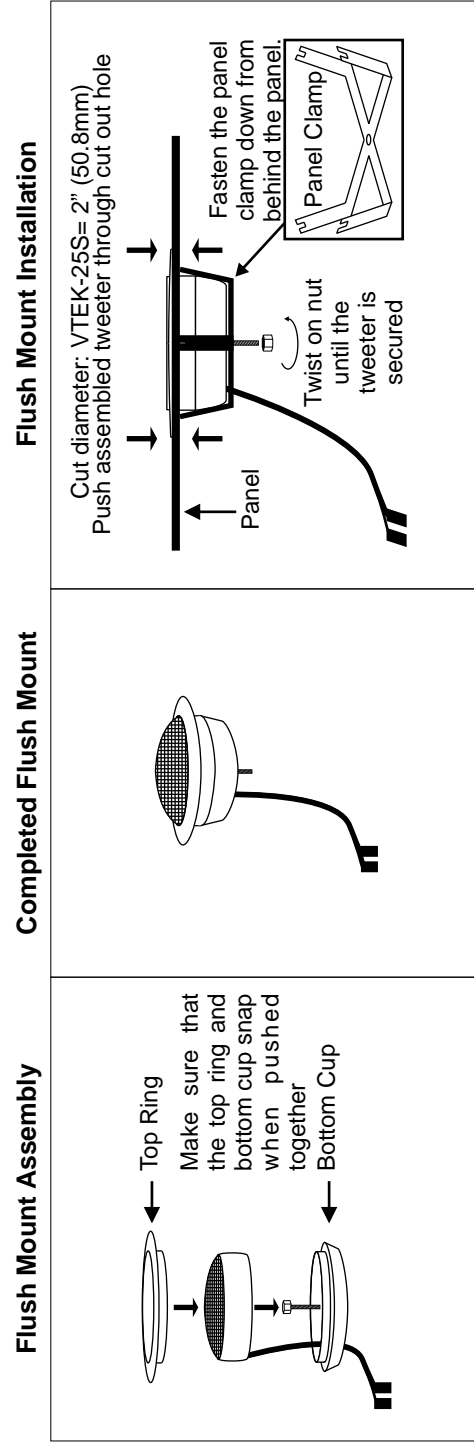
**CUSTOM SPEAKER INSTALLATION**



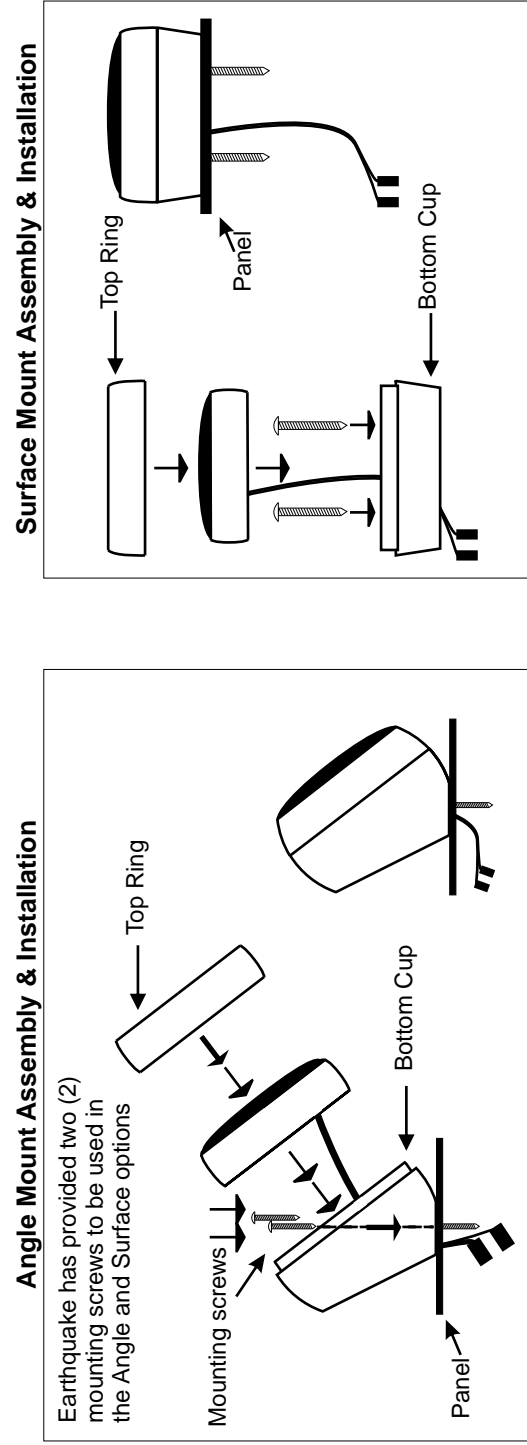
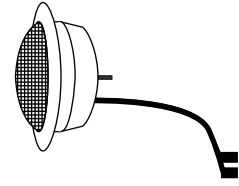
**FABRIK REPLACEMENT INSTALLATION**



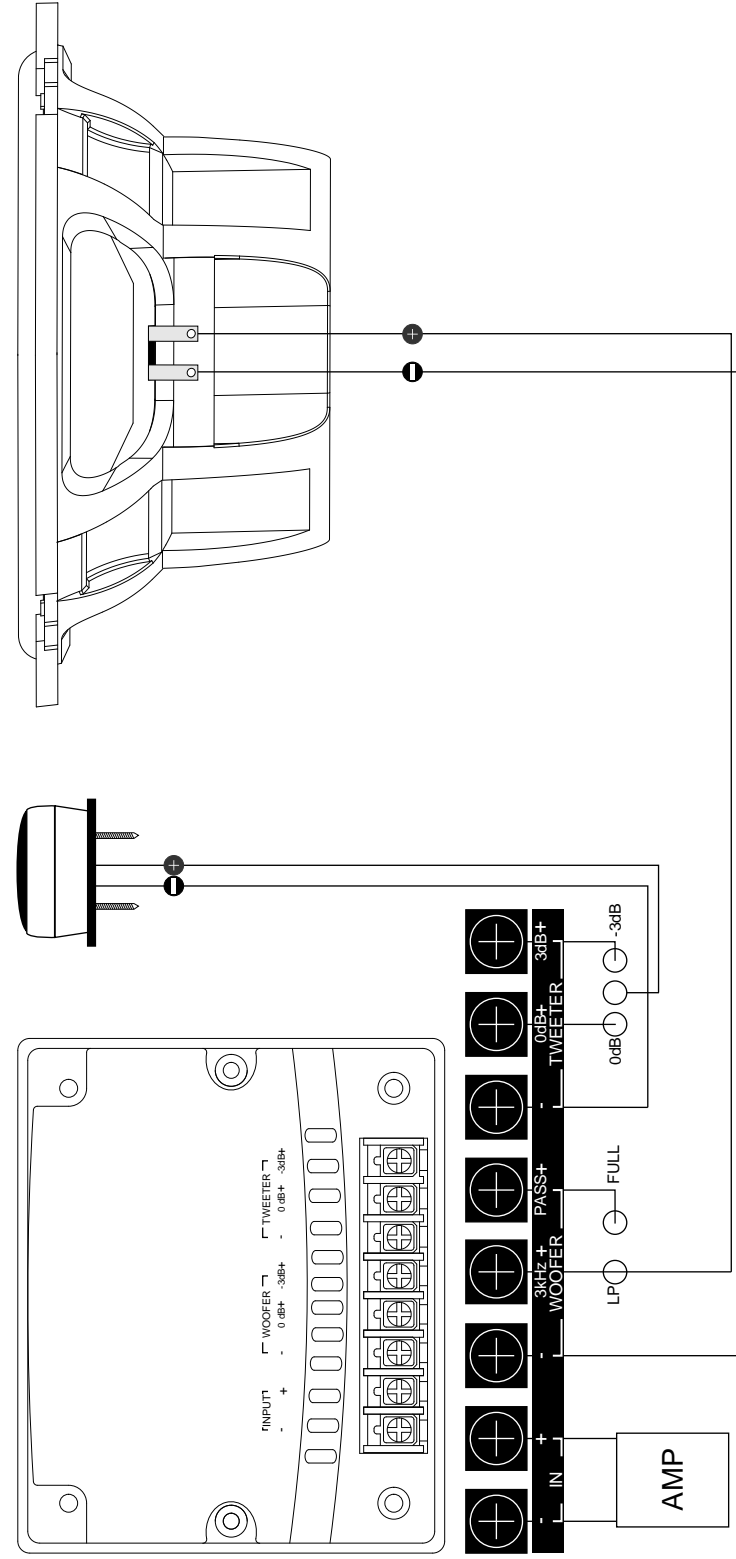
All specifications are subject to change without notice.



Completed Flush Mount



Component Set Wiring Diagram



## Free Manuals Download Website

<http://myh66.com>

<http://usermanuals.us>

<http://www.somanuals.com>

<http://www.4manuals.cc>

<http://www.manual-lib.com>

<http://www.404manual.com>

<http://www.luxmanual.com>

<http://aubethermostatmanual.com>

Golf course search by state

<http://golfingnear.com>

Email search by domain

<http://emailbydomain.com>

Auto manuals search

<http://auto.somanuals.com>

TV manuals search

<http://tv.somanuals.com>