



AVAILABLE ATTACHMENTS & ACCESSORIES**Accessories**

103942147	CS Carry Bag
89850308032	Blade Cover - 4.5 x 17in.
99988800207	CS Removable Nose Case

Guide Bars

12A0CD3745	Guide Bar - 12"
14A0CD3752	Guide Bar - 14"

Sawing Chains

91VG45G	Chain - 12"
91VG52G	Chain - 14"

PARTS CATALOG
CS-280E CHAIN SAW**27.9cc**

MODEL: SERIAL NUMBERS

CS-280E: S/N 0106531 - 0120268

ECHO, INCORPORATED

400 Oakwood Road Lake Zurich, Illinois 60047 USA

WWW.ECHO-USA.COM



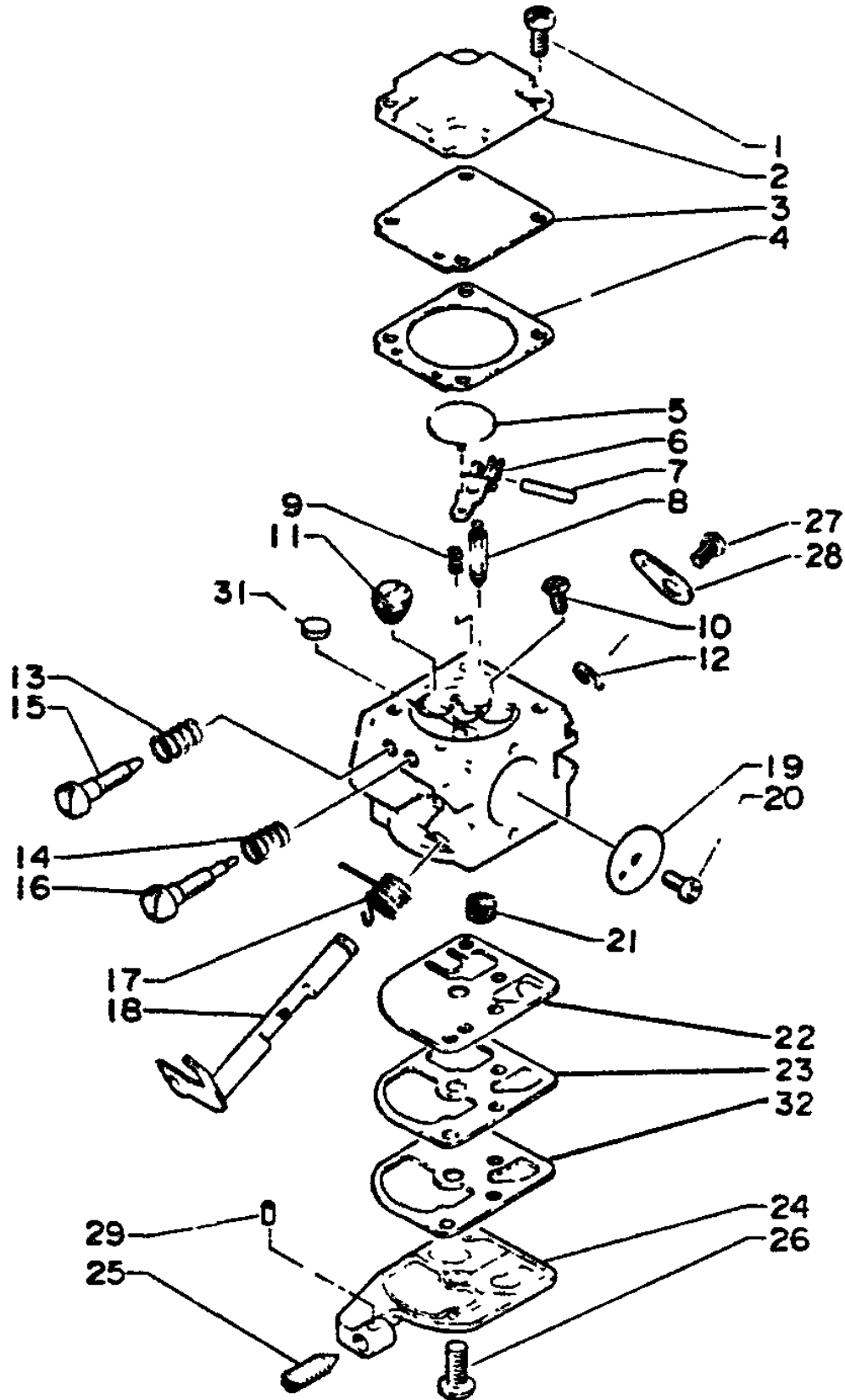
Table of Contents

Click Any Diagram Description Below To View That Diagram.

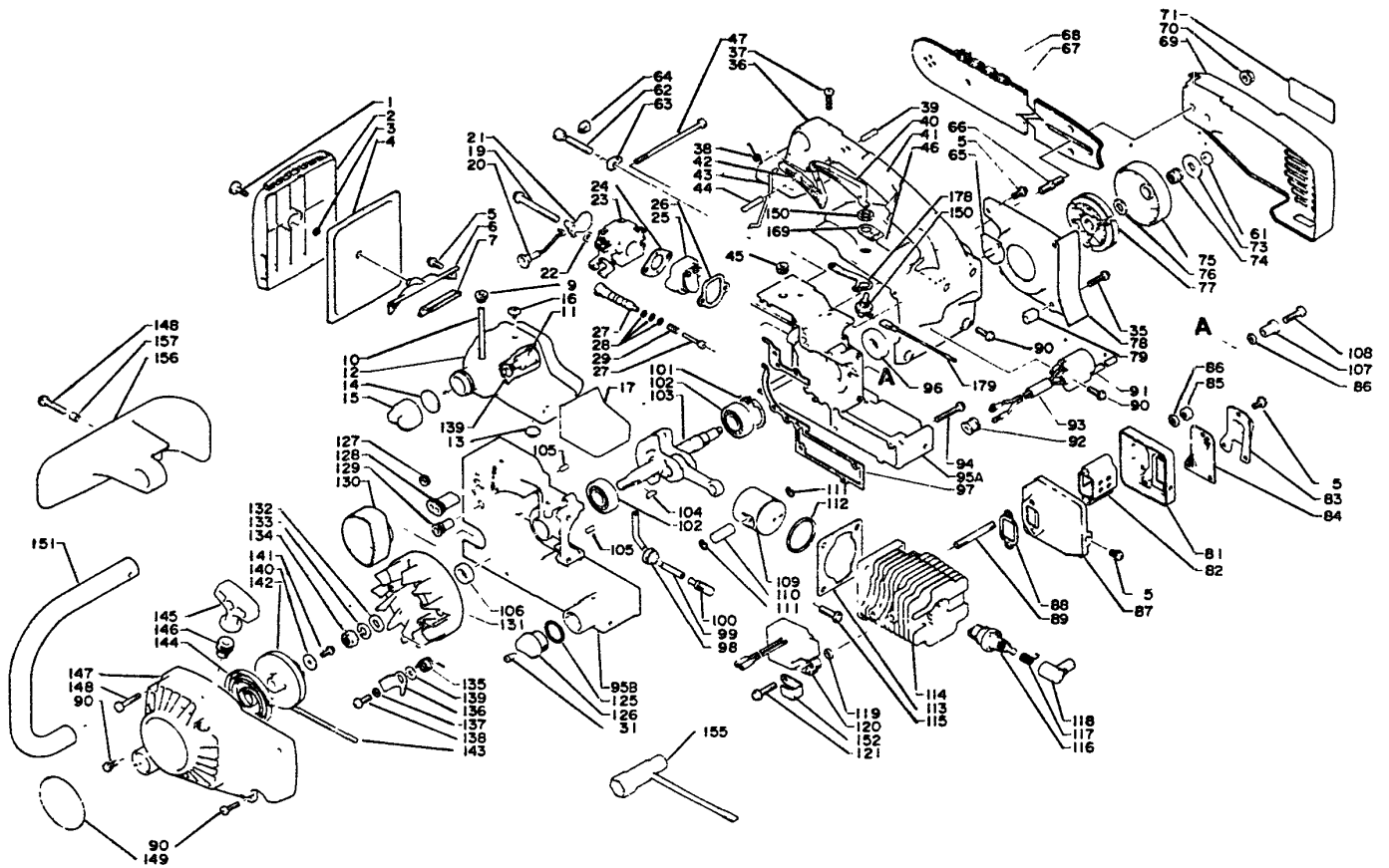
CS-280E S/N 0106531 - 0120268

Carburetor.....	4
Unit Complete.....	6
Part Number Index.....	10
Part Description Index.....	11

This Page Intentionally Left Blank



ITEM	PART NUMBER	QTY	DESCRIPTION	REMARKS
1	12534413930	4	Screw	
2	12534213930	1	Cover, diaphragm	
3		1	Diaphragm	Included in Repair Kit P/N 12530015130 & Gasket, Diaphragm Kit P/N 12530115130
4		1	Gasket, diaphragm	Included in Repair Kit P/N 12530015130 & Gasket, Diaphragm Kit P/N 12530115130
5	12537513930	1	Disk	
6		1	Valve arm	Included in Repair Kit P/N 12530015130
7		1	Arm pin	Included in Repair Kit P/N 12530015130
8		1	Needle valve	Included in Repair Kit P/N 12530015130
9		1	Coil spring	Included in Repair Kit P/N 12530015130
10	12533913930	1	Screw	
11	12537613930	1	Orifice, main fuel	Included in Repair Kit P/N 12530015130
12	12532713930	1	Clip	
13	12531913930	2	Coil spring	Includes item 14
14				Included in Coil spring item 13
15	12532013930	1	Needle, high speed	
16	12531813930	1	Needle, idle	
17	12531313930	1	Return spring	
18	12531713930	1	Throttle shaft	
19	12531613930	1	Throttle shutter	
20		1	Screw	Included in Repair Kit P/N 12530015130
21		1	Screen	Included in Repair Kit P/N 12530015130
22		1	Diaphragm, fuel pump	Included in Repair Kit P/N 12530015130 & Gasket, Diaphragm Kit P/N 12530115130
23		1	Gasket, fuel pump	Included in Repair Kit P/N 12530015130 & Gasket, Diaphragm Kit P/N 12530115130
24	12532413931	1	Pump cover	
25	12533413930	1	Screw, idle adjustment	
26	12531013930	1	Screw	
27	12534813930	1	Screw	
28	12535013931	1	Throttle lever	
29	12537813930	1	Friction piece	
31	12534513930	1	Welsh Plug	
32		1	Diaphragm, surge	Included in Repair Kit P/N 12530015130 & Gasket, Diaphragm Kit P/N 12530115130
	12530015130		Repair Kit	Includes items 3, 4, 6, 7, 8, 9, 20, 21, 22, 23 & 32
	12530115130		Gasket, Diaphragm Kit	Includes items 3, 4, 22, 23 & 32



ITEM	PART NUMBER	QTY	DESCRIPTION	REMARKS
	13030215032	1	Cover ass'y, air cleaner	Includes item 1-3
1	13040613932	1	Thumb bolt	
2	13031315032	1	Cover, air cleaner	
3	90070000004	1	E-ring 4	
4	13031013930	1	Air filter	
5	90024204010	2	Screw 4x10 w/W, SW	
6	13040513931	1	Bracket, air filter	
7	13192013930	1	Cushion	
9	13211501460	1	Grommet	
10	13201013932	1	Fuel pipe	
11	13120500830	1	Fuel strainer	
12	13101013930	1	Fuel tank ¹	
13	10022313931	1	Cushion	
	13100413931	1	Cap ass'y, fuel tank	Includes item 14-15
14	13101613930	1	Gasket, fuel tank	
15	13101713931	1	Cap, fuel tank	
16	13131400330	1	Check valve ¹	
17	13192413930	1	Cushion	
19	90024205050	2	Screw 5x50 w/W,SW	
20	17851013930	1	Choke rod	
21	17851513930	1	Choke shutter	
22	17851603930	1	Spacer	
23	12520013932	1	Carburetor ass'y	
24	13001606430	1	Gasket	
25	13000013931	1	Insulator ²	
26	13001013930	1	Gasket	
27	43700013930	1	Auto oiler ass'y	Includes item 28-29
28	43702002830	3	O-ring	
29	43701902830	1	Coil spring	
35	90024204020	1	Screw 4x20	
36	35101013932	1	Top handle	
37	90024204018	4	Screw 4x18 w/W, SW	
38	17809113930	1	Spring	
39	90034050018	1	Spring pin 5x18	
40	17809013930	1	Throttle control lockout	
41	35101213930	1	Grip, handle	
42	17801013930	1	Throttle trigger	
43	17801113930	1	Throttle rod	
44	90034050025	1	Spring pin 5x25	
45	17821000230	1	Grommet	
46	89015113930	1	Decal	
47	10024413930	2	Screw	
61	10013903930	1	Nut	
62	43301613930	1	Adjusting screw	
63	43301411230	1	Tensioner	
64	43302811030	1	Clip	
65	10061413930	1	Plug	
66	43301113930	2	Stud	
67			Guide Bar ³	
68			Saw Chain ³	
69	43300513930	1	Cover, guide bar	
70	43301903932	2	Flange nut 6	
71	8901371393	1	Decal, ECHO	
73	17501513931	1	Washer	
74	17501203930	1	Needle bearing	

ITEM	PART NUMBER	QTY	DESCRIPTION	REMARKS
76	17501411231	1	Washer	
77	17500013930	1	Clutch ass'y	
78	17530513930	1	Seal plate	
79	17531113930	1	Spacer	
	14580313931	1	Muffler ass'y (SAM)	Includes items 5, 81-84, 87-88
5	90024204010	4	Screw 4x10	
81	14586113930	1	Lid	
82	14585913930	1	Adapter	
83	14587613931	1	Muffler lid	
84	14586213931	1	Screen (SAM only)	
87	14585813931	1	Muffler	
88	14551013930	1	Gasket, muffler	
85	43302000830	2	Lock nut 5	
86	90060200005	2	Washer 5	
89	10101407131	2	Stud	
90	90024204016	5	Screw 4x16 w/W, SW	
91	15662614930	1	Ignition coil	
92	15611413930	1	Grommet	
93	15661313930	1	Cover tube	
94	90024204030	7	Screw 4x30 w/W, SW	
95	10020013933	1	Crankcase set	Includes item 105
95A	10020013933		See Ref No. 95	
95B	10020013933		See Ref No. 95	
105	10021503930	2	Knock pin	
96	10021303930	1	Oil seal	
97	10024213931	3	Gasket, crankcase	
98	13211511130	1	Grommet	
99	43721013930	1	Oil pipe	
100	43620502832	1	Oil strainer	
101	90070200032	1	Circlip 32	
102	90081036201	2	Ball bearing 6201	
103	10010013931	1	Crankshaft ass'y	
104	10013106520	1	Woodruff key	
106	10021211230	1	Oil seal	
107	43300013930	1	Chain catcher	Includes items 86 & 108
86	90060200005	1	Washer 5	
108	90022005020	1	Screw 5x20	
109	10001013931	1	Piston	
110	10001313930	1	Piston pin	
111	10001504630	2	Circlip, piston pin	
112	10001105731	1	Piston ring	
113	10101013930	1	Gasket, cylinder base	
114	10101113930	1	Cylinder	
115	90024205020	4	Screw 5x20 w/W, SW	
116	15901013930	1	Spark plug CJ8Y	
117	15901100510	1	Coil spring, plug cap	
118	15901201620	1	Cap, spark plug	
119	15211705530	2	Spacer	
120	15660115030	1	C.D. Ignition module	
121	90024205022	2	Screw 5x22 w/W, SW	
	43600113932	1	Cap ass'y, oil tank	Includes item 31, 125-126
31	43611413930	1	Check valve (s)	
125	90072000016	1	O-ring 16	
126	43601313932	1	Cap, oil tank	
127	17881003330	1	Grommet	
128	12901013930	1	Grommet	

ITEM	PART NUMBER	QTY	DESCRIPTION	REMARKS
129	12901513930	1	Grommet	
130	13103813930	1	Seal	
131	15680013930	1	Flywheel	
132	90060000008	1	Washer 8	
133	90060500008	1	Spring washer 8	
134	90050200008	1	Nut 8	
135	17723413930	2	Return spring, ratchet	
136	17721813930	2	Ratchet	
137	17724704630	2	Spacer	
138	17721713930	2	Screw	
139	90060300005	3	Washer	
	17720013931	1	Recoil starter ass'y	Includes items 140-147
140	17721404630	1	Washer	
141	90024104010	1	Screw 4x10 w/SW	
142	17721506530	1	Recoil drum	
143	99944400040	1	Rope	
144	17722006530	1	Rewind spring	
145	17722811130	1	Starter handle	
146	17722705330	1	Rope guide	
147	10150713931	1	Fan cover	
148	90024204025	3	Screw 4x25 w/W. SW	
149	89001211132	1	Decal	
150	16340006520	1	Switch	
151	35120513931	1	Front handle	
152	15911213930	1	Clamp	
155	89541003930	1	Wrench w/s. driver	
156	35182613930	1	Guard, front	
157	35182713930	1	Spacer	
169	89015713930	1	Decal, switch	
178	16341313930	1	Ground plate	
179	16202113931	1	Lead wire	
75	17500515330	1	Clutch Drum ⁴	

Footnotes

- 1: See Parts Bulletin 87-11
- 2: To improve performance, see bulletin 626
- 3: See Chainsaw Accessories
- 4: See Service Bullentin 7-9



Part Number Index

Click The Page Number After Any Part Number To View The Diagram Containing That Part.

Part Number	Page	Part Number	Page	Part Number	Page
.....	5, 7	156601150308	900242050507
100010139318	156613139308	900340500187
100011057318	156626149308	900340500257
100013139308	156800139309	900502000089
100015046308	159010139308	900600000089
100100139318	159011005108	900602000058
100131065208	159012016208	900603000059
100139039307	159112139309	900605000089
100200139338	162021139319	900700000047
100212112308	163400065209	900702000328
100213039308	163413139309	900720000168
100215039308	175000139308	900810362018
100223139317	175005153309	999444000409
100242139318	175012039307		
100244139307	175014112318		
100614139307	175015139317		
101010139308	175305139308		
101011139308	175311139308		
101014071318	177200139319		
101507139319	177214046309		
125200139327	177215065309		
125300151305	177217139309		
125301151305	177218139309		
125310139305	177220065309		
125313139305	177227053309		
125316139305	177228111309		
125317139305	177234139309		
125318139305	177247046309		
125319139305	178010139307		
125320139305	178011139307		
125324139315	178090139307		
125327139305	178091139307		
125334139305	178210002307		
125339139305	178510139307		
125342139305	178515139307		
125344139305	178516039307		
125345139305	178810033308		
125348139305	351010139327		
125350139315	351012139307		
125375139305	351205139319		
125376139305	351826139309		
125378139305	351827139309		
129010139308	433000139308		
129015139309	433005139307		
130000139317	433011139307		
130010139307	433014112307		
130016064307	433016139307		
130302150327	433019039327		
130310139307	433020008308		
130313150327	433028110307		
130405139317	436001139328		
130406139327	436013139328		
131004139317	436114139308		
131010139307	436205028328		
131016139307	437000139307		
131017139317	437019028307		
131038139309	437020028307		
131205008307	437210139308		
131314003307	890012111329		
131920139307	89013713937		
131924139307	890151139307		
132010139327	890157139309		
132115014607	895410039309		
132115111308	900220050208		
145510139308	900241040109		
145803139318	900242040107, 8		
145858139318	900242040168		
145859139308	900242040187		
145861139308	900242040207		
145862139318	900242040259		
145876139318	900242040308		
152117055308	900242050208		
156114139308	900242050228		



Part Description Index

Click The Page Number After Any Part Description To View The Diagram Containing That Part.

.....5, 7		Fuel pipe.....7 Fuel strainer.....7 Fuel tank.....7		Recoil starter ass'y.....9 Repair Kit.....5 Return spring.....5 Return spring, ratchet.....9 Rewind spring.....9 Rope.....9 Rope guide.....9
	A		G	
Adapter.....8 Adjusting screw.....7 Air filter.....7 Arm pin.....5 Auto oiler ass'y.....7		Gasket.....7 Gasket, crankcase.....8 Gasket, cylinder base.....8 Gasket, diaphragm.....5 Gasket, Diaphragm Kit.....5 Gasket, fuel tank.....7 Gasket, muffler.....8 Gasket, fuel pump.....5 Grip, handle.....7 Grommet.....7, 8, 9 Ground plate.....9 Guard, front.....9 Guide Bar.....7		S Saw Chain.....7 Screen.....5 Screen (SAM only).....8 Screw.....5, 7, 9 Screw 4x10.....8 Screw 4x10 w/SW.....9 Screw 4x10 w/W, SW.....7 Screw 4x16 w/W, SW.....8 Screw 4x18 w/W, SW.....7 Screw 4x20.....7 Screw 4x25 w/W, SW.....9 Screw 4x30 w/W, SW.....8 Screw 5x20.....8 Screw 5x20 w/W, SW.....8 Screw 5x22 w/W, SW.....8 Screw 5x50 w/W,SW.....7 Screw, idle adjustment.....5 Seal.....9 Seal plate.....8 See Ref No. 95.....8 Spacer.....7, 8, 9 Spark plug CJ8Y.....8 Spring.....7 Spring pin 5x18.....7 Spring pin 5x25.....7 Spring washer 8.....9 Starter handle.....9 Stud.....7, 8 Switch.....9
	B		I	
Ball bearing 6201.....8 Bracket, air filter.....7		Ignition coil.....8 Insulator.....7		
	C		K	
C.D. Ignition module.....8 Cap ass'y, fuel tank.....7 Cap ass'y, oil tank.....8 Cap, fuel tank.....7 Cap, oil tank.....8 Cap, spark plug.....8 Carburetor ass'y.....7 Chain catcher.....8 Check valve.....7 Check valve (s).....8 Choke rod.....7 Choke shutter.....7 Circlip 32.....8 Circlip, piston pin.....8 Clamp.....9 Clip.....5, 7 Clutch ass'y.....8 Clutch Drum.....9 Coil spring.....5, 7 Coil spring, plug cap.....8 Cover ass'y, air cleaner.....7 Cover tube.....8 Cover, air cleaner.....7 Cover, diaphragm.....5 Cover, guide bar.....7 Crankcase set.....8 Crankshaft ass'y.....8 Cushion.....7 Cylinder.....8		Knock pin.....8		
	D		L	
Decal.....7, 9 Decal, ECHO.....7 Decal, switch.....9 Diaphragm.....5 Diaphragm, fuel pump.....5 Diaphragm, surge.....5 Disk.....5		Lead wire.....9 Lid.....8 Lock nut 5.....8		Seal.....9 Seal plate.....8 See Ref No. 95.....8 Spacer.....7, 8, 9 Spark plug CJ8Y.....8 Spring.....7 Spring pin 5x18.....7 Spring pin 5x25.....7 Spring washer 8.....9 Starter handle.....9 Stud.....7, 8 Switch.....9
	E		M	
E-ring 4.....7		Muffler.....8 Muffler ass'y (SAM).....8 Muffler lid.....8		
	F		N	
Fan cover.....9 Flange nut 6.....7 Flywheel.....9 Friction piece.....5 Front handle.....9		Needle bearing.....7 Needle valve.....5 Needle, high speed.....5 Needle, idle.....5 Nut.....7 Nut 8.....9		T Tensioner.....7 Throttle control lockout.....7 Throttle lever.....5 Throttle rod.....7 Throttle shaft.....5 Throttle shutter.....5 Throttle trigger.....7 Thumb bolt.....7 Top handle.....7
		Oil pipe.....8 Oil seal.....8 Oil strainer.....8 Orifice, main fuel.....5 O-ring.....7 O-ring 16.....8	O	V Valve arm.....5
		Piston.....8 Piston pin.....8 Piston ring.....8 Plug.....7 Pump cover.....5	P	W Washer.....7, 8, 9 Washer 5.....8 Washer 8.....9 Welsh Plug.....5 Woodruff key.....8 Wrench w/s. driver.....9
		Ratchet.....9 Recoil drum.....9	R	



ECHO, INCORPORATED
400 Oakwood Road
Lake Zurich, IL 60047 USA

WWW.ECHO-USA.COM

Free Manuals Download Website

<http://myh66.com>

<http://usermanuals.us>

<http://www.somanuals.com>

<http://www.4manuals.cc>

<http://www.manual-lib.com>

<http://www.404manual.com>

<http://www.luxmanual.com>

<http://aubethermostatmanual.com>

Golf course search by state

<http://golfingnear.com>

Email search by domain

<http://emailbydomain.com>

Auto manuals search

<http://auto.somanuals.com>

TV manuals search

<http://tv.somanuals.com>