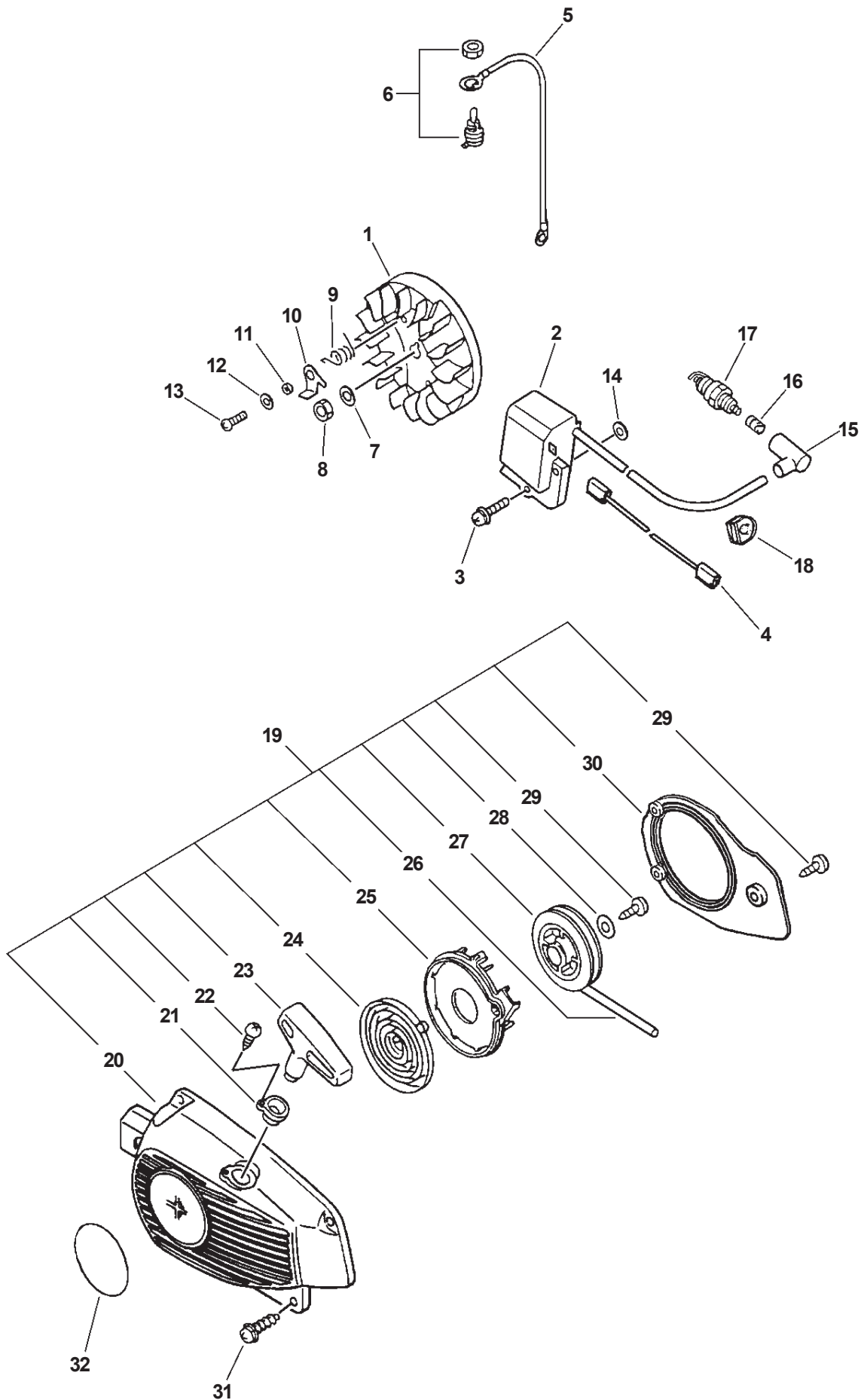


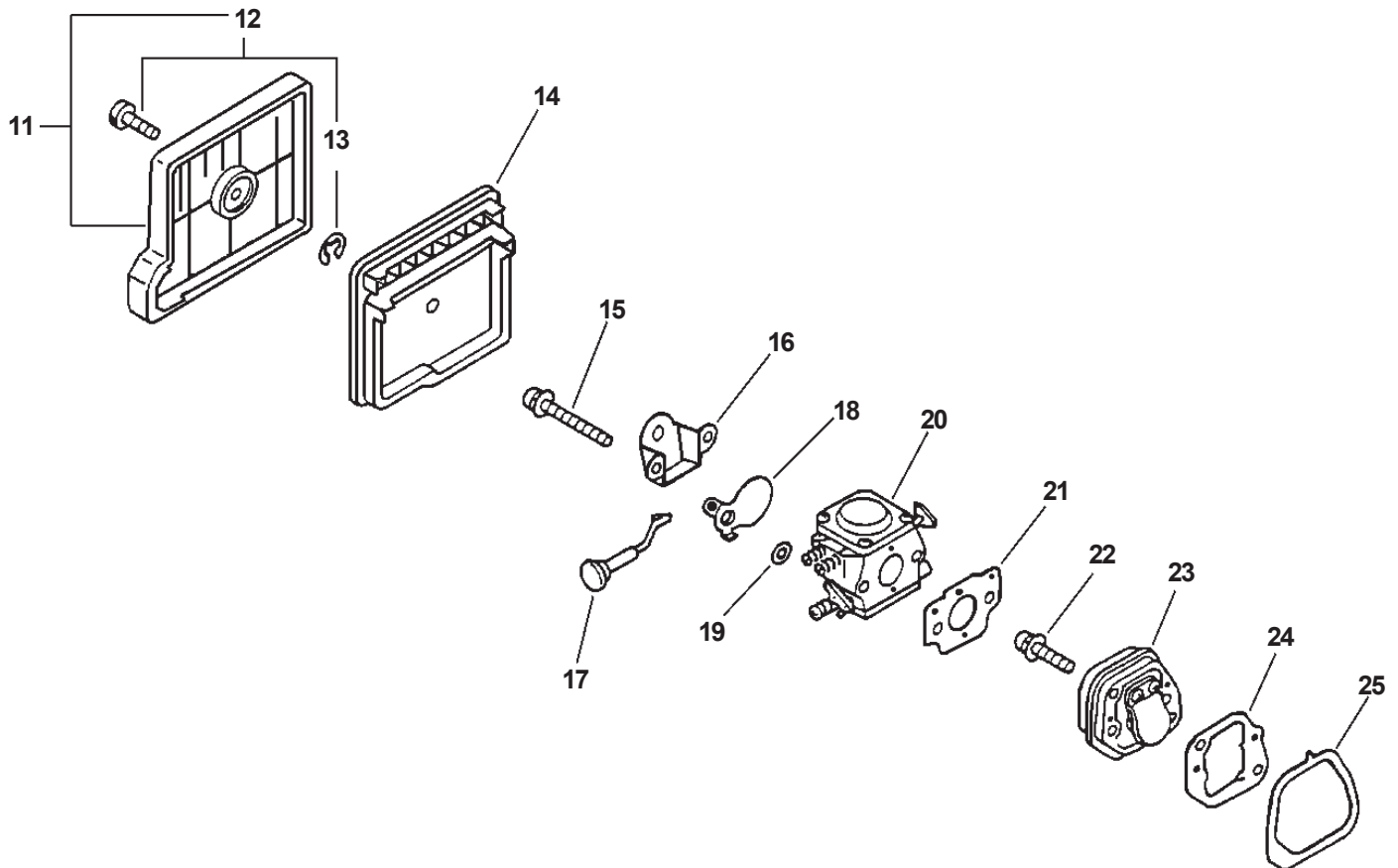
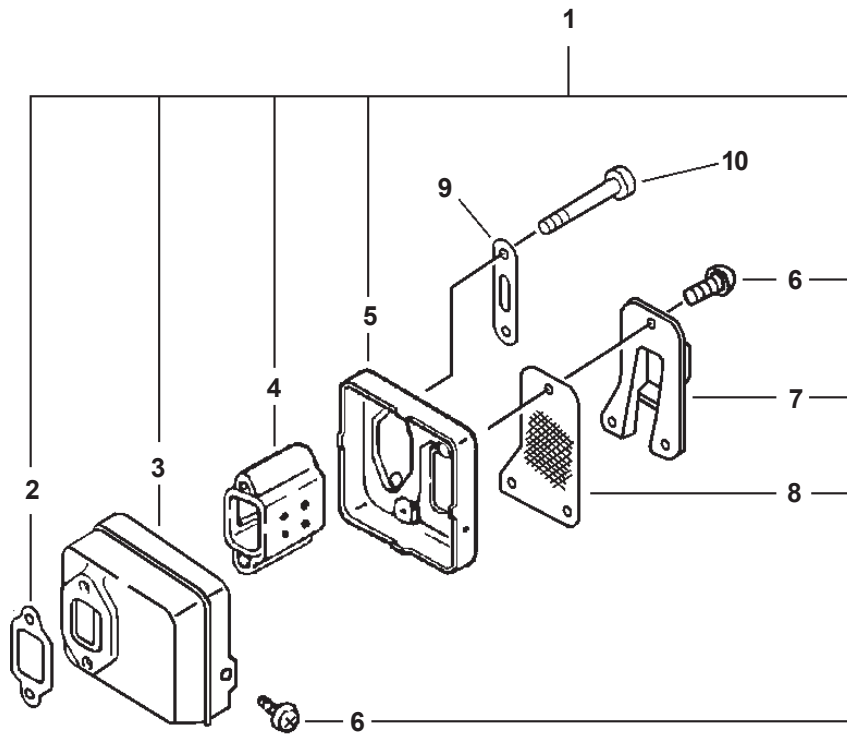
CS-3000 TYPE 1, 1E

ENGINE, SHORT BLOCK, ENGINE COVER

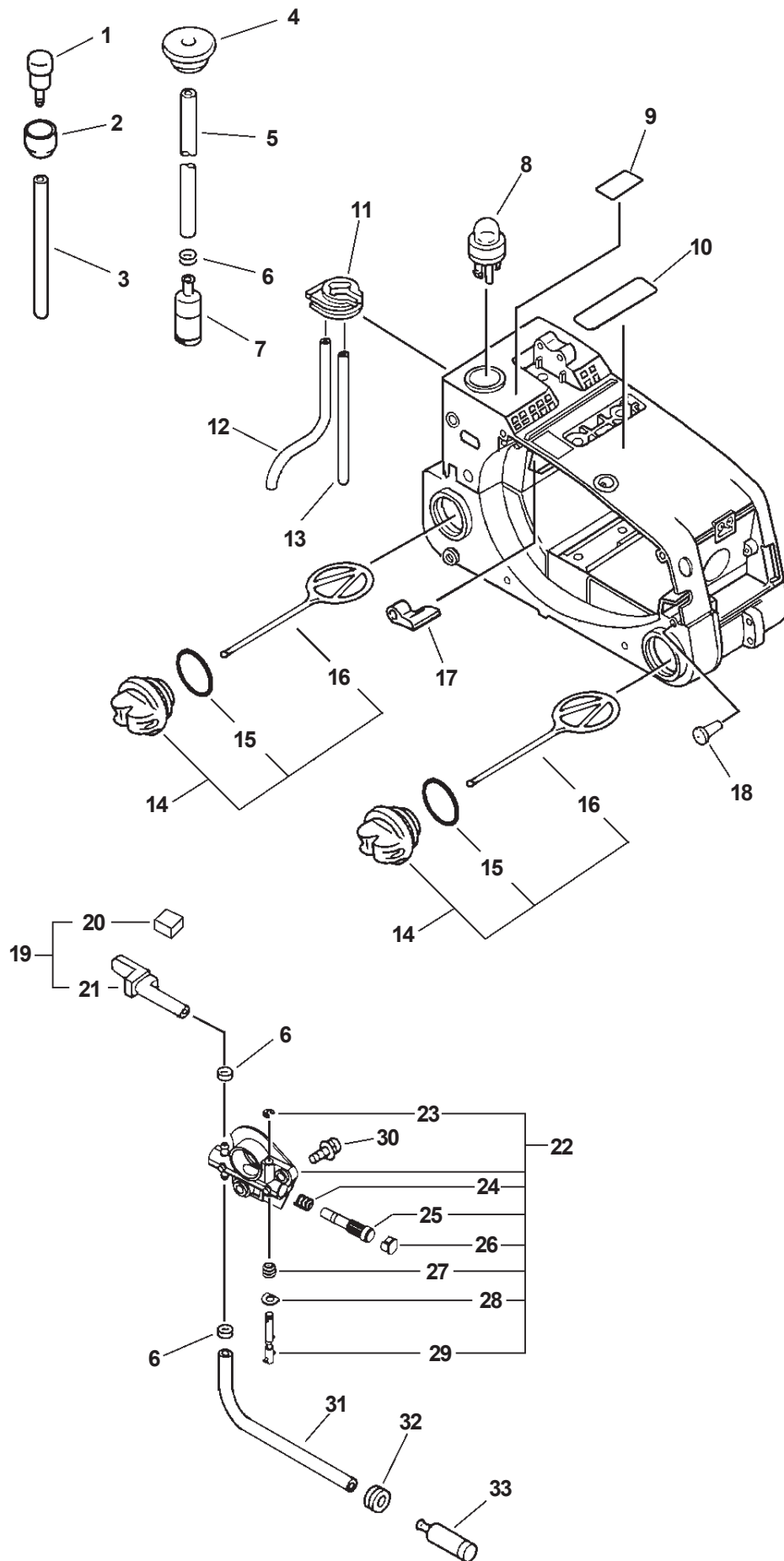
ITEM	PART NUMBER	QTY	DESCRIPTION	REMARKS
<u>OPTIONAL ENGINE REPOWER</u>				
1	SB1018	1	SHORT BLOCK	INCLUDES 2-16
2	-----	1	CRANKCASE SET	INCLUDES ITEM 3
3	90023805025	4	SCREW 5X25	
4	V103000120	1	GASKET, INTAKE	
5	14551013931	1	GASKET, EXHAUST	
6	10000039130	1	PISTON KIT	INCLUDES ITEMS 7-10
7	10001146430	1	RING, PISTON	
8	10001315330	1	PIN, PISTON	
9	10001504630	2	CIRCLIP, PISTON PIN	
10	10001411520	2	SPACER, PISTON PIN	
11	17501203930	1	BEARING, NEEDLE	
12	10014239130	1	KEY, WOODRUFF	
13	-----	1	CRANKSHAFT ASY	INCLUDES ITEMS 14-16
14	10021338330	2	SEAL, OIL	
15	90081036201	2	BEARING, BALL 6201	
16	43706338330	1	GEAR, WORM	
<u>TYPE 1 - S/N 001001 & UP, TYPE 1E - S/N 001001-665925, CANADA - S/N 001001-004033</u>				
17	10400439231	1	COVER KIT, ENGINE	INCLUDES ITEMS 18-22
18	43301103931	2	STUD, GUIDE BAR	
19	10421539131	1	LATCH	
20	90025304010	1	SCREW 4X10	
<u>TYPE 1E - S/N 665926 & UP, CANADA - S/N 004034 & UP</u>				
17	A190000020	1	COVER KIT, ENGINE	INCLUDES ITEM 18
18	43301103931	2	STUD, GUIDE BAR	
<u>S/N 001001 & UP</u>				
21	16391139130	1	PLUG, OILER	
22	10403439130	1	PLUG	
23	10402939230	1	GROMMET	
24	90010605016	4	BOLT 5X16	
25	12901039130	1	GROMMET, NEEDLE -- TYPE 1	
25	17881039630	1	GROMMET, CHOKE -- TYPE 1E	
26	12902339130	1	GROMMET, IDLE	
27	10404439230	1	COVER	
28	90025604016	1	SCREW 4X16	



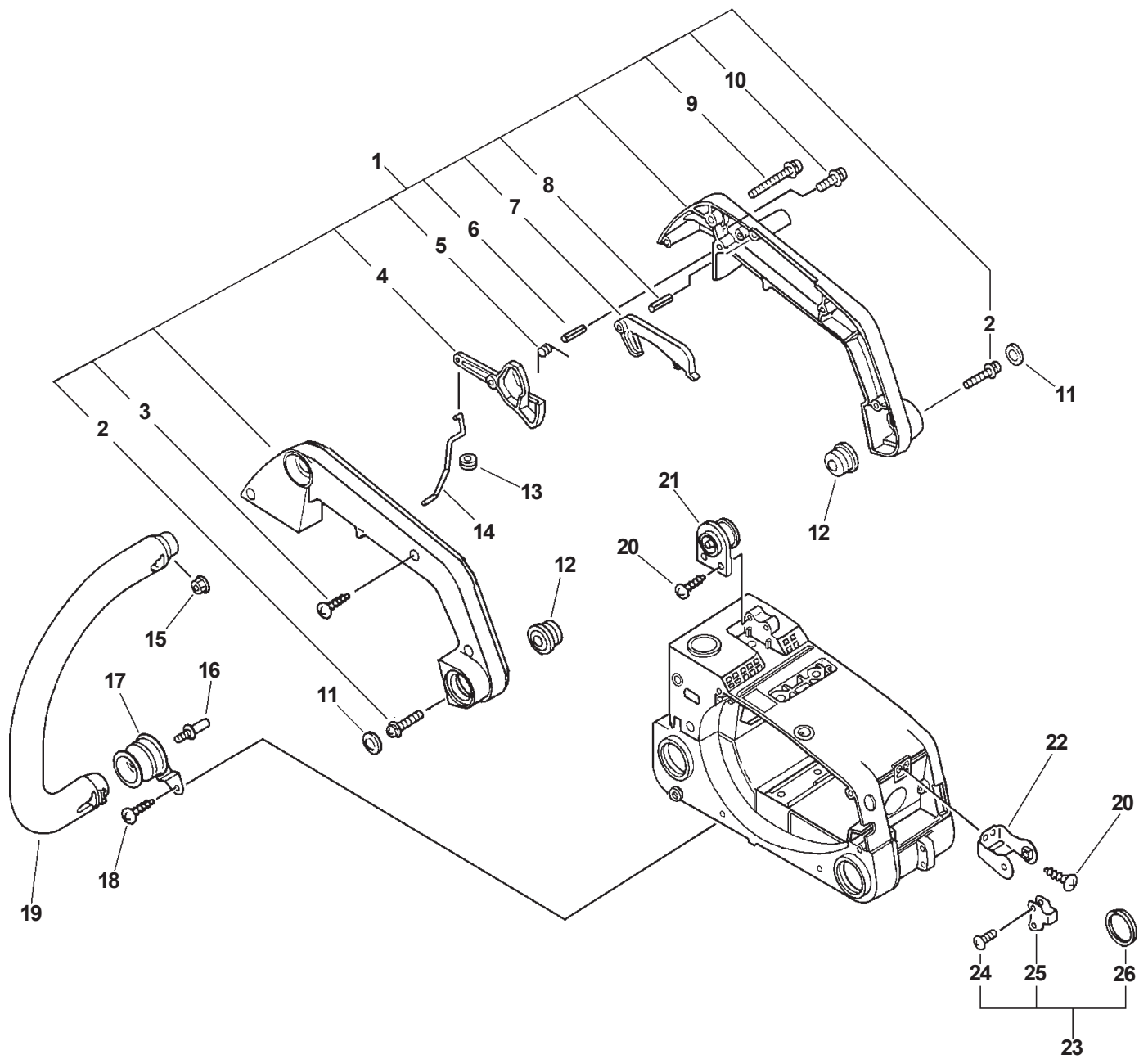
ITEM	PART NUMBER	QTY	DESCRIPTION	REMARKS
<u>TYPE 1 - S/N 001001 & UP, TYPE 1E - S/N 001001-568898</u>				
1	15680035630	1	FLYWHEEL	MAY ONLY BE USED WITH 15662639130 - COIL, IGNITION
2	15662639130	1	COIL, IGNITION	MAY ONLY BE USED WITH 15680035630 - FLYWHEEL
3	90023805020	2	SCREW 5X20	
<u>TYPE 1E - S/N 568899 & UP</u>				
1	15680039430	1	FLYWHEEL	MAY ONLY BE USED WITH 15662639430 - COIL, IGNITION
2	15662639430	1	COIL, IGNITION	MAY ONLY BE USED WITH 15680039430 - FLYWHEEL
3	90023805022	2	SCREW 5X22	
4	16201039430	1	LEAD	
<u>S/N 001001 & UP</u>				
5	16201039131	1	LEAD	
6	16340019830	1	SWITCH, IGNITION	
7	90060000008	1	WASHER 8	
8	90050000008	1	NUT 8	
9	17723435430	2	SPRING, RETURN	
10	17721835631	2	PAWL, STARTER	
11	17724704630	2	SPACER, RATCHET	
12	90060300005	2	WASHER 5	
13	90021605012	2	SCREW 5X12	
14	15011716430	2	SPACER	
15	15901201620	1	CAP, SPARK PLUG	
16	15901103432	1	COIL, SPARK PLUG CAP	
17	15901010630	1	PLUG, SPARK BPM-7A -- US MODELS	
17	15901010230	1	PLUG, SPARK BPMR-7A -- CANADA MODELS	
18	15611004920	1	GROMMET	
19	17720039533	1	STARTER ASY	INCLUDES ITEMS 20-30
20	17723239532	1	COVER, STARTER	
21	17722739131	1	GUIDE, ROPE	
22	90029603014	1	SCREW 3X14	
23	17722835430	1	GRIP, STARTER	
24	17722039630	1	SPRING, REWIND	
25	17722135631	1	PLATE, STARTER	
26	17722606530	1	ROPE, STARTER	3mm(1/8") X 850mm(33-1/2"), BULK OPTION: 99944440000
27	17721535632	1	DRUM, STARTER	
28	17721404630	1	WASHER	
29	90025304014	4	SCREW 4X14	
30	10153439530	1	PLATE, GUIDE	
31	90025604016	4	SCREW 4X16	
32	89011849330	1	LABEL, ECHO	



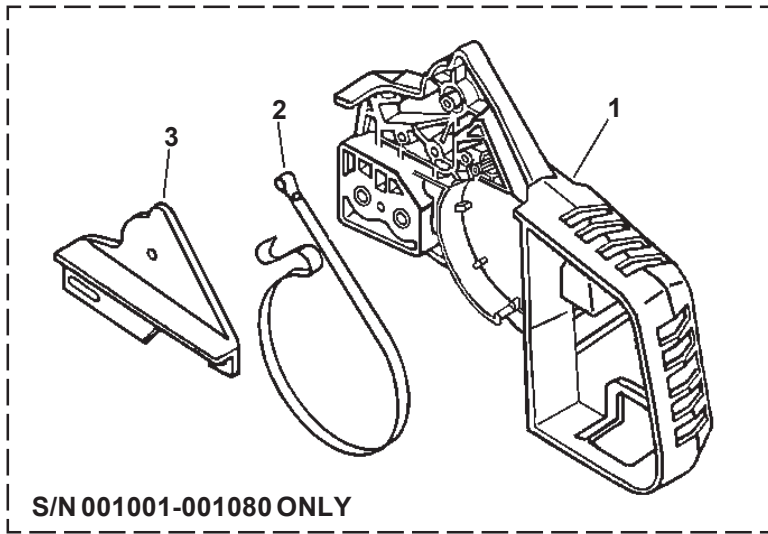
ITEM	PART NUMBER	QTY	DESCRIPTION	REMARKS
<u>S/N 001001 & UP</u>				
1	14580335532	1	MUFFLER ASY	INCLUDES ITEMS 2-8
2	14551013931	1	GASKET, MUFFLER	
3	14585813931	1	MUFFLER	
4	14585913930	1	SILENCER	
5	14586135530	1	LID, MUFFLER	
6	90025004008	4	SCREW 4X8	
7	14587635530	1	GUIDE, EXHAUST	
8	14586213931	1	SCREEN, MUFFLER	
9	14564213930	1	PLATE, EYE	
10	10102313930	2	BOLT, MUFFLER	
11	13030239133	1	CLEANER LID ASY	INCLUDES ITEMS 12-13
12	13040613932	1	BOLT ASY	INCLUDES ITEMS 13
13	90070000004	1	E-RING 4	
14	13031039131	1	FILTER, AIR	
15	90023805045	2	SCREW 5X45	
16	12901139130	1	PLATE, PREVENT	
17	17851039230	1	ROD, CHOKE	
18	17851539130	1	SHUTTER, CHOKE	
19	17851603930	2	WASHER	
<u>TYPE 1 - S/N 001001-056483</u>				
20	12300060131	1	CARBURETOR--WT-385A	
<u>TYPE 1 - S/N 056484 & UP, TYPE 1E - S/N 001001 & UP</u>				
20	12300139132	1	CARBURETOR--WT-402A	
<u>S/N 001001 & UP</u>				
21	13001639130	1	GASKET, INTAKE	
22	90025005018	2	SCREW 5X18	
23	13000039131	1	INSULATOR KIT	
24	13001039130	1	GASKET, INTAKE	
25	13001239130	1	SEAL	



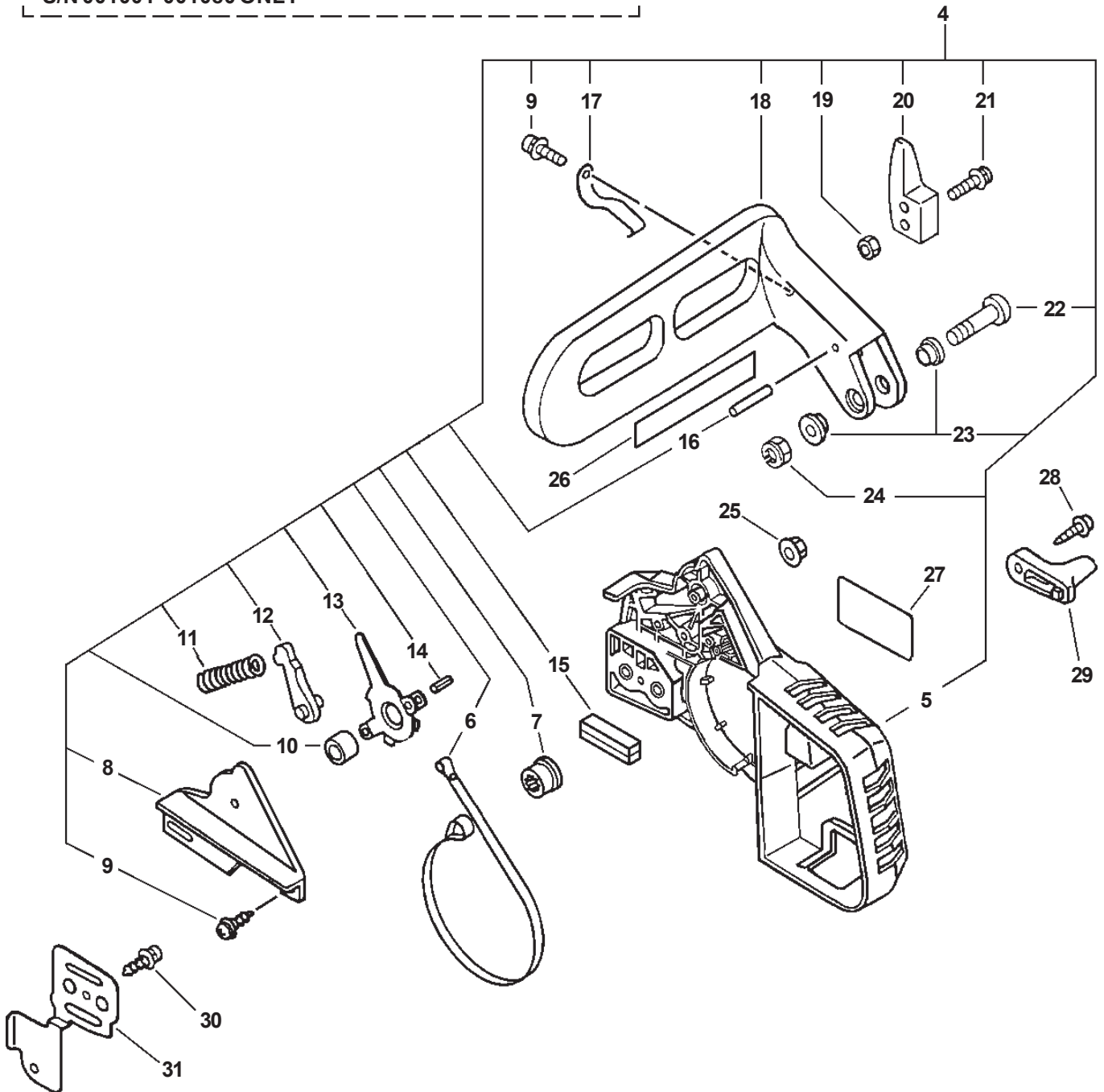
ITEM	PART NUMBER	QTY	DESCRIPTION	REMARKS
1	13130056430	1	VALVE, CHECK	
2	13132839130	1	COVER, VENT	
3	13201004920	1	PIPE, VENT - 3X5X150	BULK OPTION: 90014
4	13211539130	1	GROMMET, FUEL	
5	13201239130	1	PIPE, FUEL - 3X6X160mm	BULK OPTION: 90015
6	13201326630	3	CLIP	
7	13120507320	1	FILTER, FUEL	
8	12318139130	1	PUMP, PURGE	
9	89016739230	1	LABEL, PURGE PUMP	
10	89022839130	1	LABEL, CAUTION	
11	13275839130	1	BRACKET, PUMP	
12	13271639130	1	PIPE, RETURN - 2X4X42	BULK OPTION: 90018
13	13131239130	1	PIPE, PURGE - 3X5X70	BULK OPTION: 90014
14	43600139231	2	CAP, TANK	INCLUDES ITEMS 15-16
15	90072100025	2	O-RING 25	
16	13105119830	2	CLIP, FUEL CAP	
17	13033639530	1	PLUG	
18	43611413930	1	VALVE, CHECK	
19	43720139130	1	PIPE KIT	INCLUDES ITEM 20-21
20	43724439130	1	PAD, FOAM	
21	43721139132	1	PIPE, OIL	
22	43700239130	1	AUTO-OILERASY	INCLUDES ITEM 23-29
23	12312715030	1	CLIP	
24	43701938330	1	SPRING	
25	43702437330	1	PLUNGER	
26	43706237330	1	CAP, OIL PUMP	
27	43701537330	1	SPRING	
28	43702937330	1	WASHER	
29	43701639130	1	NEEDLE, ADJUST	
30	90023505012	2	SCREW 5X12	
31	13201235430	1	PIPE - 3X6X115	BULK OPTION: 90015
32	13211501461	1	GROMMET	
33	43620502832	1	STRAINER, OIL	



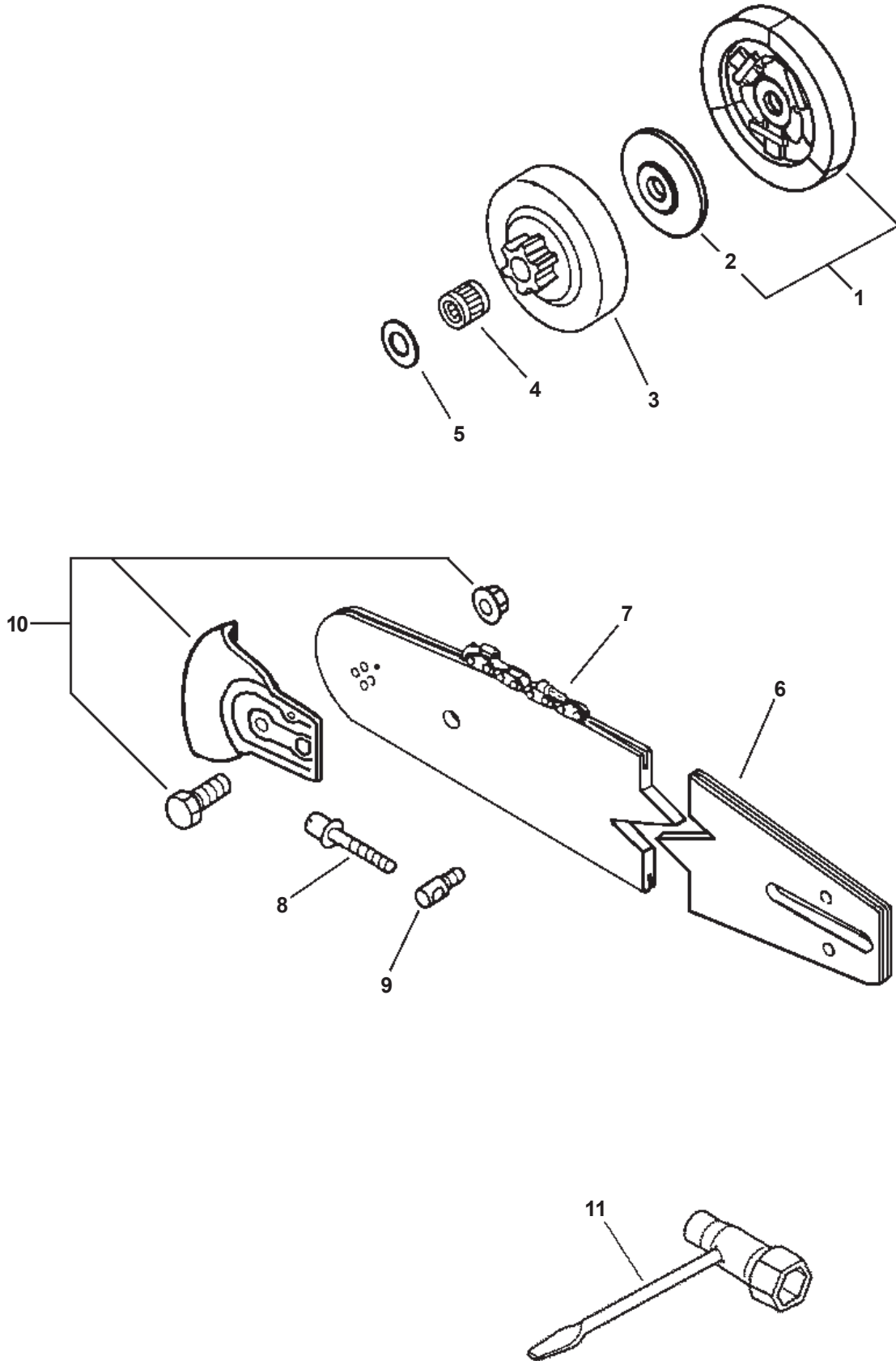
ITEM	PART NUMBER	QTY	DESCRIPTION	REMARKS
1	35110039131	1	REAR HANDLE SET	INCLUDES ITEMS 2-8
2	90023804010	2	SCREW 4X10	
3	90025604016	3	SCREW 4X16	
4	17801039130	1	CONTROL, THROTTLE	
5	17804339131	1	SPRING, THROTTLE RETURN	
6	90034540025	1	PIN, SPRING 4X25	
7	17809039130	1	LOCKOUT, THROTTLE	
8	90034540020	1	PIN, SPRING 4X20	
9	90023805035	1	SCREW 5X35	
10	90023805014	1	SCREW 5X14	
11	10091815130	2	CAP, CUSHION	
12	10092139130	2	CUSHION	
13	17821039130	1	GROMMET, THROTTLE	
14	17801139131	1	ROD, THROTTLE	
15	90051600005	1	NUT, FLANGE 5	
16	10091533930	1	SCREW	
17	10091035630	1	CUSHION	
18	90025604016	4	SCREW 4X16	
19	35161039130	1	HANDLE, FRONT	
20	90025304014	4	SCREW 4X14	
21	10090739130	1	CUSHION	
22	35112339131	1	SUPPORTER	
23	P021000280	1	HARNESS RING KIT	INCLUDES ITEMS 24-26
24	90023804016	2	SCREW 4X16	
25	30031439130	1	FIXTURE, HARNESS	
26	30101652730	1	RING, HARNESS	



S/N 001001-001080 ONLY



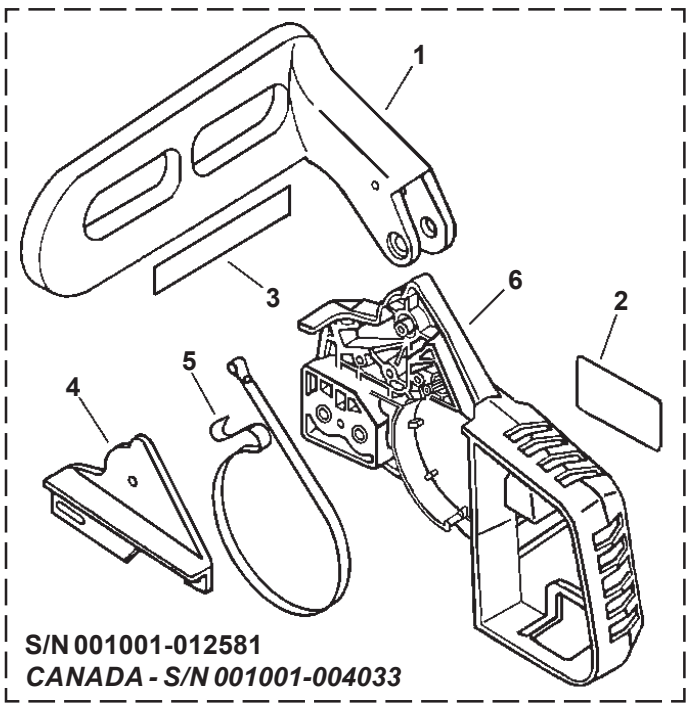
ITEM	PART NUMBER	QTY	DESCRIPTION	REMARKS
<u>S/N 001001-001080</u>				
1	43300539233	1	GUARD, SPROCKET	
2	43312339130	1	BAND, BRAKE	
3	43331039230	1	COVER, BRAKE	
4	43310039230	1	CHAIN BRAKE KIT	INCLUDES ITEMS 5-24
<u>S/N 001081 & UP</u>				
5	43300539530	1	GUARD, SPROCKET	
6	43312339530	1	BAND, BRAKE	
7	43314235430	1	ADJUSTER, BRAKE	
8	43331039530	1	COVER, BRAKE	
<u>S/N 001001 & UP</u>				
9	90025304010	4	SCREW 4X10	
10	43311635430	1	SPACER, 8X12X9	
11	43312235430	1	SPRING, BRAKE	
12	43320935430	1	STOPPER, BRAKE	
13	43320835431	1	LEVER, BRAKE	
14	90033040088	1	ROLLER	
15	43331232630	1	COVER, SEAL	
16	90033040238	1	ROLLER, 4X23.8	
17	43311439130	1	SPRING	
18	43311160531	1	LEVER, BRAKE	
19	90050000004	2	NUT 4	
20	43317139630	1	WEIGHT, BRAKE	
21	90023804020	2	SCREW 4X20	
22	90020905030	1	SCREW 5X30	
23	43316739130	2	SPACER	
24	90056000005	1	LOCKNUT 5	
25	43301903933	2	NUT, FLANGE 6	
26	89019239531	1	LABEL, BAR & CHAIN -- US MODELS	
26	89035439131	1	LABEL, BAR & CHAIN -- CANADA MODELS	
27	89015139130	1	LABEL, MODEL	
28	90025305020	1	SCREW 5X20	
29	43302635430	1	CATCHER, CHAIN	
30	90025304010	1	SCREW 4X10	
31	43301239131	1	PLATE, GUIDE	



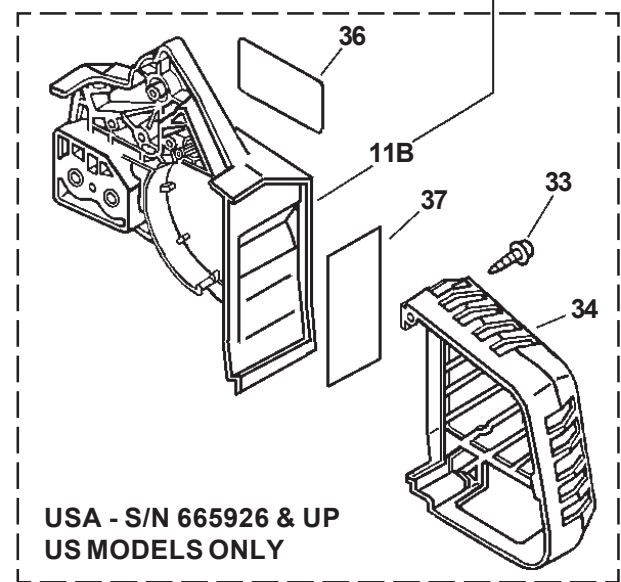
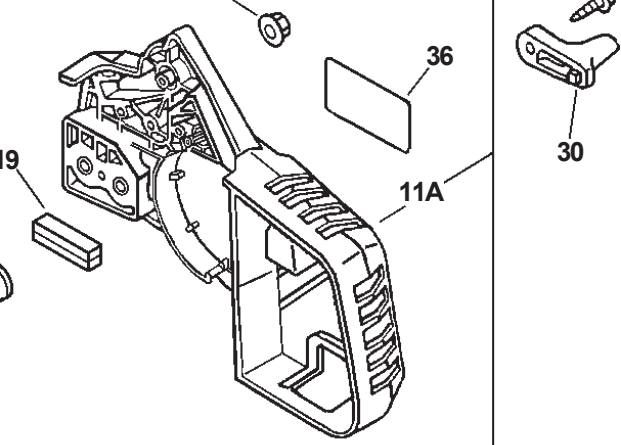
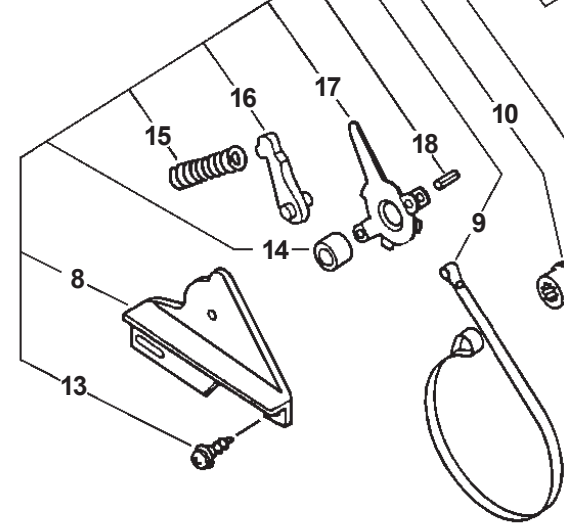
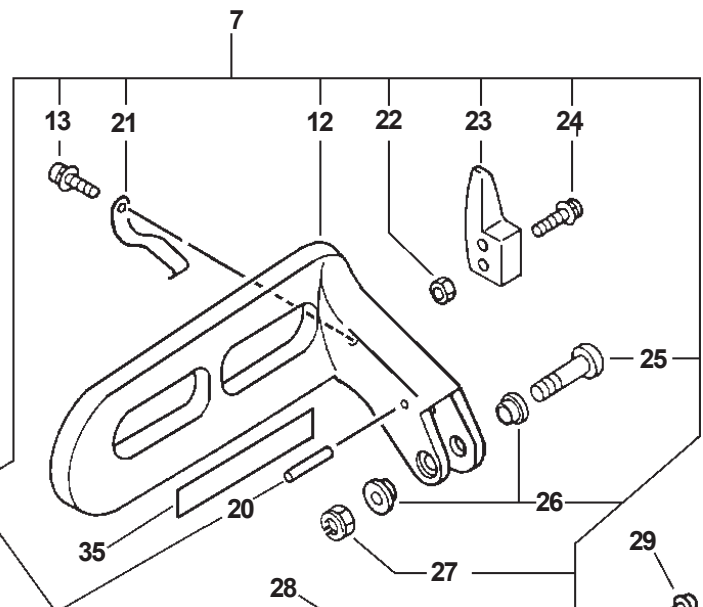
CS-3000 TYPE 1

CLUTCH ASSEMBLY, BAR & CHAIN, TOOLS

ITEM	PART NUMBER	QTY	DESCRIPTION	REMARKS
1	P021000260	1	CLUTCHASY	INCLUDES ITEMS 2
2	17501939430	1	PLATE, CLUTCH	
3	17500539131	1	DRUM, CLUTCH	
4	17501235630	1	BEARING, NEEDLE	
5	17501439130	1	WASHER, CLUTCH	
6	120374501	1	BAR, GUIDE - 12" DOUBLE GUARD	
6	140375201	1	BAR, GUIDE - 14" DOUBLE GUARD	
6	160375701	1	BAR, GUIDE - 16" DOUBLE GUARD	
7	917045	1	CHAIN, SAW 91VG-45E - 12"	
7	917052	1	CHAIN, SAW 91VG-52E - 14"	
7	917057	1	CHAIN, SAW 91VG-57E - 16"	
8	43301639131	1	BOLT	
9	43301403931	1	TENSIONER	
10	2894901	1	GUARD, KICK KIT	
11	89541039130	1	WRENCH, W/SCREWDRIVER	



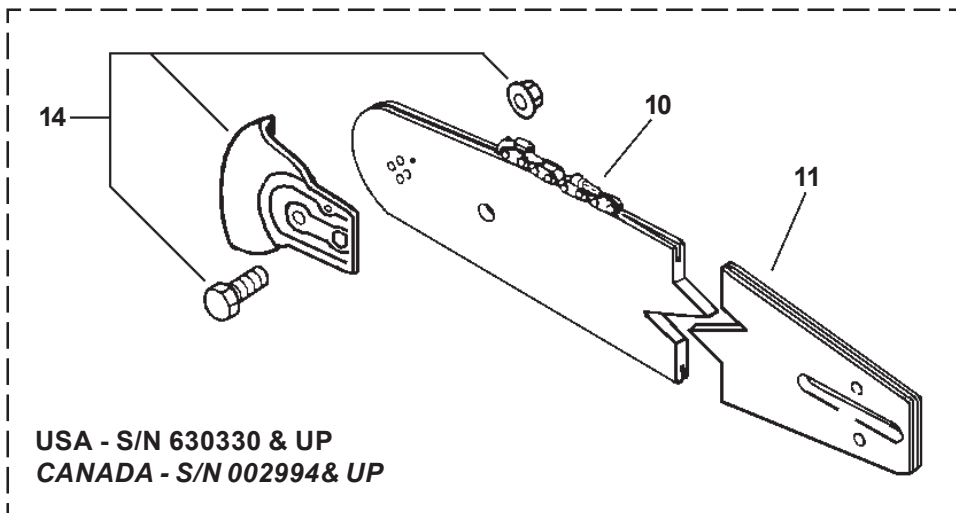
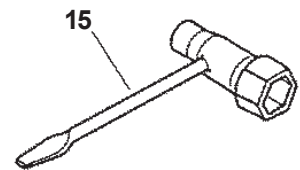
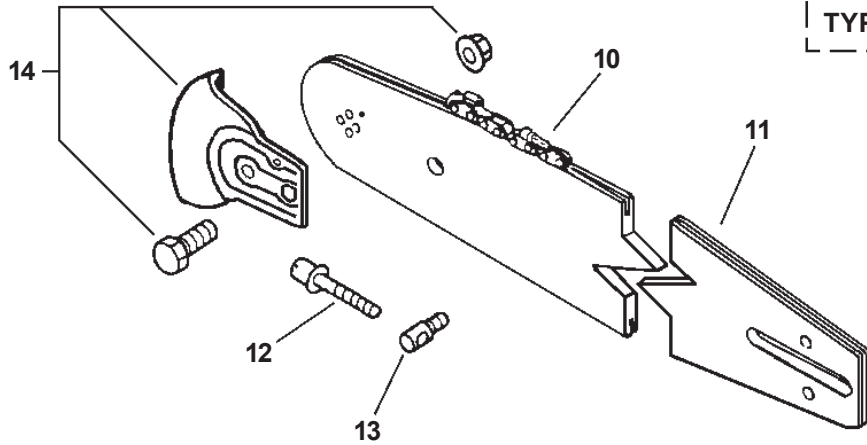
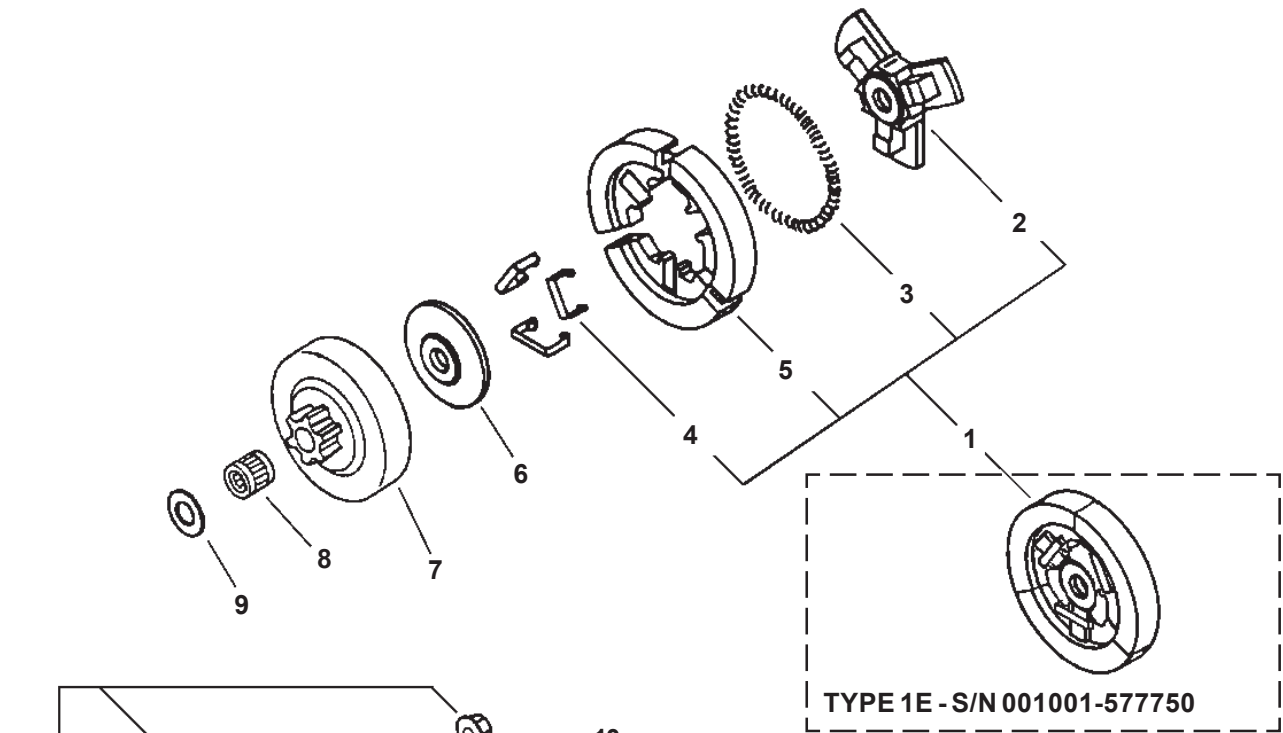
S/N 001001-012581
CANADA - S/N 001001-004033



USA - S/N 665926 & UP
US MODELS ONLY

ITEM	PART NUMBER	QTY	DESCRIPTION	REMARKS
<u>S/N 001001-665925, CANADA - S/N 001001-004033</u>				
1	43311160531	1	LEVER, BRAKE	
2	89015139130	1	LABEL, MODEL	
3	89019239531	1	LABEL, BAR & CHAIN -- US MODELS	
3	89035439131	1	LABEL, BAR & CHAIN -- CANADA MODELS	
7	43310039230	1	CHAIN BRAKE ASY	INCLUDES ITEMS 8-27
<u>S/N 001001-012581</u>				
4	43331039230	1	COVER, BRAKE	
5	43312339130	1	BAND, BRAKE	
6	43300539233	1	GUARD, SPROCKET	
<u>S/N 012582-665925, CANADA - S/N 004034 & UP</u>				
8	43331039530	1	COVER, BRAKE	
9	43312339530	1	BAND, BRAKE	
10	43314235430	1	ADJUSTER, BRAKE	
11A	43300539530	1	GUARD, SPROCKET	
<u>S/N 665926 & UP, CANADA - S/N 004034 & UP*</u>				
7	C032000050	1	CHAIN BRAKE ASY	INCLUDES ITEMS 8-27
8	43331039530	1	COVER, BRAKE	
9	43312339530	1	BAND, BRAKE	
10	43314235430	1	ADJUSTER, BRAKE	
11B	C300000040	1	GUARD, SPROCKET -- *US MODELS ONLY	INCLUDES ITEM 37
12	43314739131	1	LEVER, BRAKE	
33	90025305020	2	SCREW 5X20 -- *US MODELS ONLY	
34	A320000030	1	COVER, MUFFLER -- *US MODELS ONLY	
35	X503001750	1	LABEL, MODEL	
36	89019239532	1	LABEL, BAR & CHAIN -- *US MODELS	
36	89035439131	1	LABEL, BAR & CHAIN -- CANADA MODELS	
37	V341000000	1	DEFLECTOR, HEAT -- *US MODELS ONLY	
<u>S/N 001001 & UP</u>				
13	90025304012	4	SCREW 4X12	
14	43311635430	1	SPACER, 8X12X9	
15	43312235430	1	SPRING, BRAKE	
16	43320935430	1	STOPPER, BRAKE	
17	43320835431	1	CONNECTOR, BRAKE	
18	90033040088	1	ROLLER	
19	43331232630	1	COVER, SEAL	
20	90033040238	1	ROLLER, 4X23.8	
21	43311439130	1	SPRING	
22	90050000004	2	NUT 4	
23	43317139630	1	WEIGHT, BRAKE	
24	90023804020	2	SCREW 4X20	
25	9131805032	1	SCREW 5X32	■
26	43316739130	2	SPACER	
27	90056000005	1	LOCKNUT 5	
28	43301903933	2	NUT, FLANGE 6	
29	90025305020	1	SCREW 5X20	
30	43302635430	1	CATCHER, CHAIN	
31	90025304010	1	SCREW 4X10	
32	43301239131	1	PLATE, GUIDE	

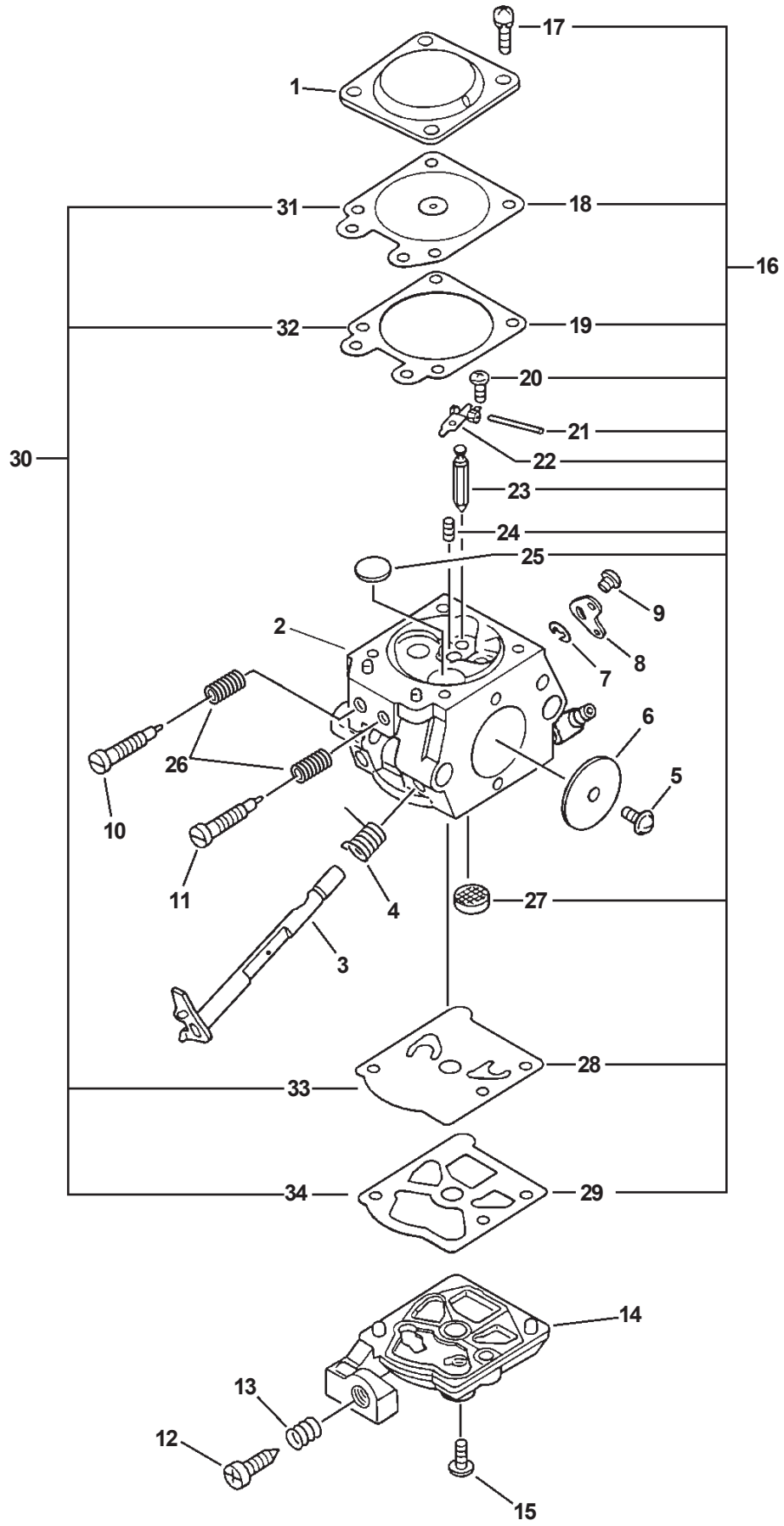
Part Number New To This Edition = ■



CS-3000 TYPE 1E

CLUTCH, CUTTING ATTACHMENT, TOOLS

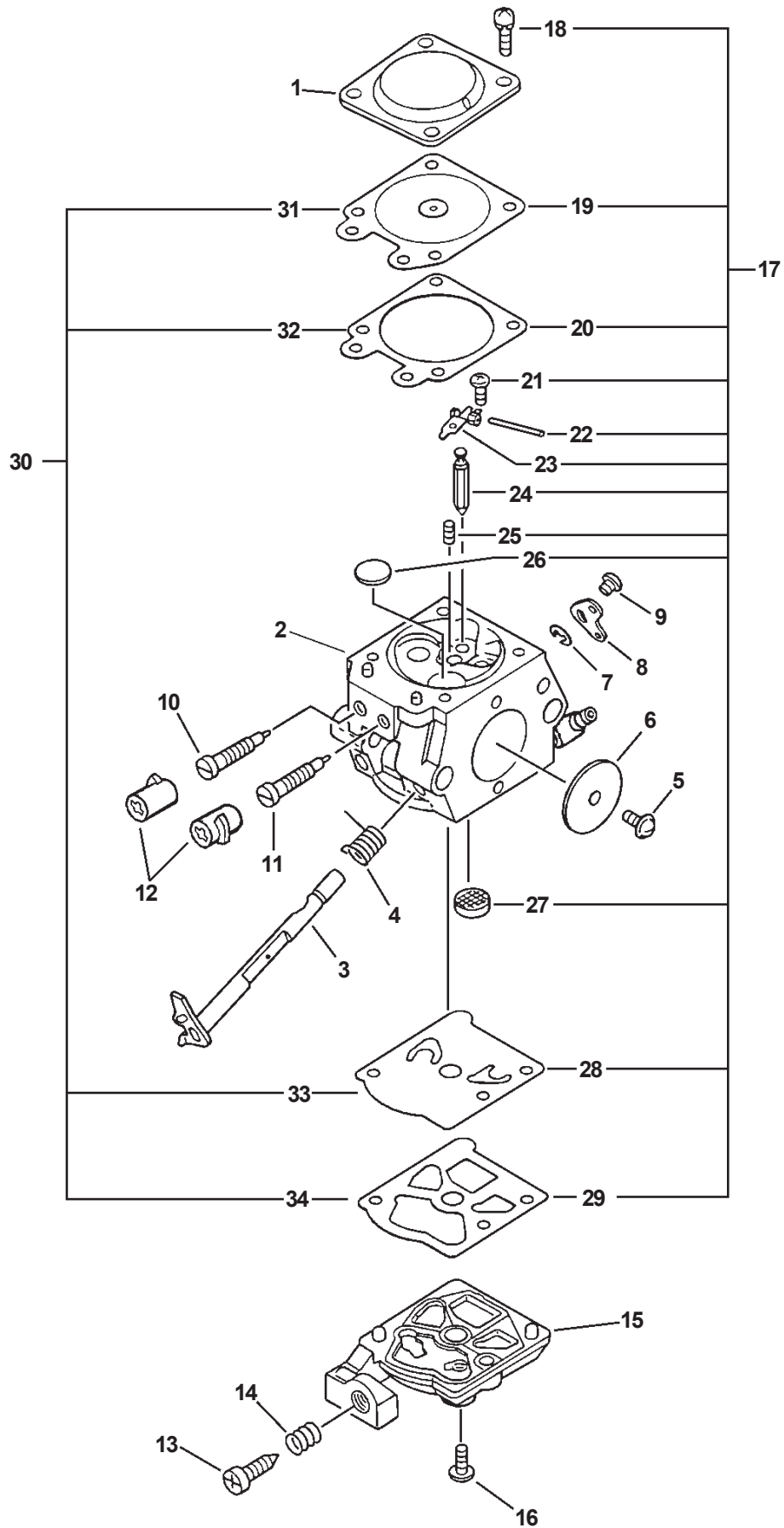
ITEM	PART NUMBER	QTY	DESCRIPTION	REMARKS
<u>S/N001001-577750</u>				
1	P021000260	1	CLUTCHASY	
<u>S/N 577751 & UP</u>				
1	A056000010	1	CLUTCHASY	INCLUDES ITEMS 2-5
2	A552000000	1	HUB, CLUTCH	
3	17501839430	1	SPRING, CLUTCH	
4	17502259530	3	SPRING, FLAT	
5	A555000000	3	SHOE, CLUTCH	S/N 577751-665925
5	P021000270	1	CLUTCH SHOE SET	S/N 665926 & UP
<u>S/N 001001 & UP</u>				
6	17501939430	1	PLATE, CLUTCH	
7	17500539131	1	DRUM, CLUTCH	
8	17501235630	1	BEARING, NEEDLE	
9	17501439130	1	WASHER, CLUTCH	
10	917045	1	CHAIN, SAW 91VG-45E- 12"	
10	917052	1	CHAIN, SAW 91VG-52E- 14"	
10	917057	1	CHAIN, SAW 91VG-57E- 16"	
<u>S/N 001001-630329, CANADA - S/N 001001-002993</u>				
11	120374501	1	BAR, GUIDE- 12"	
11	140375201	1	BAR, GUIDE- 14"	
11	160375701	1	BAR, GUIDE- 16"	
12	43301639131	1	BOLT	
13	43301403931	1	TENSIONER	
<u>S/N 630330 & UP, CANADA - 002994 & UP</u>				
11	122374501	1	BAR, GUIDE- 12" INTENZ	
11	142375201	1	BAR, GUIDE- 14" INTENZ	
11	162375701	1	BAR, GUIDE- 16" INTENZ	
<u>S/N 001001 & UP</u>				
14	2894901	1	GUARD, KICK KIT	
15	89541039130	1	WRENCH, W/SCREWDRIVER	



SERIAL NUMBERS: 001001-056483

ITEM	PART NUMBER	QTY	DESCRIPTION	REMARKS
	12300060131	1	CARBURETOR--WT-385A	
1	12314203930	1	COVER, METERING DIAPHRAGM	
2	-----	1	BODY, CARBURETOR	NOT AVAILABLE SEPARATELY
3	12311739630	1	SHAFT, THROTTLE	
4	12311347530	1	SPRING, THROTTLE RETURN	
5	12311403930	1	SCREW, THROTTLE VALVE	
6	12311605230	1	VALVE, THROTTLE	
7	12312715030	1	CLIP, THROTTLE SHAFT	
8	12315039230	1	LEVER, THROTTLE	
9	12315039230	1	SCREW, THROTTLE LEVER	
10	12312039530	1	NEEDLE, HIGH SPEED	
11	12311824430	1	NEEDLE, LO SPEED	
12	12313419730	1	SCREW, IDLE ADJUST	
13	12313311130	1	SPRING, IDLE ADJUST	
14	12312409320	1	COVER, FUEL PUMP	
15	12311003930	1	SCREW, FUEL PUMP COVER	
16	12310037330	1	REPAIR KIT	INCLUDES ITEMS 17-29
17	-----	4	SCREW, METERING DIAPHRAGM COVER	
18	-----	1	DIAPHRAGM, METERING	
19	-----	1	GASKET, METERING DIAPHRAGM	
20	-----	1	SCREW, METERING LEVER PIN	
21	-----	1	PIN, METERING LEVER	
22	-----	1	LEVER, METERING	
23	-----	1	VALVE, INLET NEEDLE	
24	-----	1	SPRING, METERING LEVER	
25	-----	1	PLUG, WELCH	
26	-----	2	SPRING, ADJUST NEEDLE	
27	-----	1	SCREEN, INLET	
28	-----	1	DIAPHRAGM, FUEL PUMP	
29	-----	1	GASKET, FUEL PUMP	
30	12310105960	1	DIAPHRAGM/GASKET KIT	INCLUDES ITEMS 31-34
31	-----	1	DIAPHRAGM, METERING	
32	-----	1	GASKET, METERING DIAPHRAGM	
33	-----	1	DIAPHRAGM, FUEL PUMP	
34	-----	1	GASKET, FUEL PUMP	

SERIAL NUMBERS: TYPE 1 - 056484 & UP, TYPE 1E - 001001 & UP



SERIAL NUMBERS: TYPE 1 - 056484 & UP, TYPE 1E - 001001 & UP

ITEM	PART NUMBER	QTY	DESCRIPTION	REMARKS
	12300139132	1	CARBURETOR--WT-402A	
1	12314203930	1	COVER, METERING DIAPHRAGM	
2	-----	1	BODY, CARBURETOR	NOT AVAILABLE SEPARATELY
3	12311739630	1	SHAFT, THROTTLE	
4	12311347530	1	SPRING, THROTTLE RETURN	
5	12311403930	2	SCREW, THROTTLE VALVE	
6	12311605230	1	VALVE, THROTTLE	
7	12312715030	1	CLIP, THROTTLE SHAFT	
8	12315039230	1	LEVER, THROTTLE	
9	12311403930	2	SCREW, THROTTLE LEVER	
10	12312039230	1	NEEDLE, HIGH SPEED	
11	12311839230	1	NEEDLE, LO SPEED	
12	12315139230	2	CAP, MIXTURE LIMITER	
13	12313419730	1	SCREW, IDLE ADJUST	
14	12313311130	1	SPRING, IDLE ADJUST	
15	12312409320	1	COVER, FUEL PUMP	
16	12311003930	1	SCREW, FUEL PUMP COVER	
17	12310039130	1	REPAIR KIT	INCLUDES ITEMS 18-29
18	-----	4	SCREW, METERING DIAPHRAGM COVER	
19	-----	1	DIAPHRAGM, METERING	
20	-----	1	GASKET, METERING DIAPHRAGM	
21	-----	1	SCREW, METERING LEVER PIN	
22	-----	1	PIN, METERING LEVER	
23	-----	1	LEVER, METERING	
24	-----	1	VALVE, INLET NEEDLE	
25	-----	1	SPRING, METERING LEVER	
26	-----	1	PLUG, WELCH	
27	-----	1	SCREEN, INLET	
28	-----	1	DIAPHRAGM, FUEL PUMP	
29	-----	1	GASKET, FUEL PUMP	
30	12310105960	1	DIAPHRAGM/GASKET KIT	INCLUDES ITEMS 31-34
31	-----	1	DIAPHRAGM, METERING	
32	-----	1	GASKET, METERING DIAPHRAGM	
33	-----	1	DIAPHRAGM, FUEL PUMP	
34	-----	1	GASKET, FUEL PUMP	

Free Manuals Download Website

<http://myh66.com>

<http://usermanuals.us>

<http://www.somanuals.com>

<http://www.4manuals.cc>

<http://www.manual-lib.com>

<http://www.404manual.com>

<http://www.luxmanual.com>

<http://aubethermostatmanual.com>

Golf course search by state

<http://golfingnear.com>

Email search by domain

<http://emailbydomain.com>

Auto manuals search

<http://auto.somanuals.com>

TV manuals search

<http://tv.somanuals.com>