



Chain Saw *Operator's Manual*

MODELS : **CS-3000 TYPE 1E**
 Serial Number 001001 - 630329

CS-3400 TYPE 1E
 Serial Number 001001 - 580667

CS-3450 TYPE 1E
 Serial Number 001001 - 594521

WARNING **DANGER**



The muffler or catalytic muffler and surrounding cover may become extremely hot.

Always keep clear of exhaust and muffler area, otherwise serious personal injury may occur.



WARNING



The engine exhaust from this product contains chemicals known to the State of California to cause cancer, birth defects or other reproductive harm.



WARNING **DANGER**

Read rules for safe operation and instructions carefully. ECHO provides an Operator's Manual and an Engine Operator's Manual. Both must be read and understood for proper and safe operation.

RULES FOR SAFE OPERATION

A. Kickback Safety Precaution for Chain Saw Users

WARNING!

KICKBACK may occur when the nose or tip of the guide bar touches an object, or when the wood closes in and pinches the saw chain in the cut.

Tip contact in some cases may cause a lightning fast reverse REACTION, Kicking the guide bar up and back towards the operator, pinching the saw chain along the top of the guide bar rapidly back towards the operator. Either of these reactions may cause you to lose control of the saw which could result in serious personal injury.

Do not rely exclusively upon the safety devices built into your saw. As a chain saw user, you should take several steps to keep your cutting jobs free from accident or injury.

1. With a basic understanding of kickback, you can reduce or eliminate the element of surprise. Sudden surprise contributes to accidents.
2. Keep a good firm grip on the saw with both hands, the right hand on the rear handle, and the left hand on the front handle, when the engine is running. Use a firm grip with thumbs and fingers encircling the chain saw handles. A firm grip will help you reduce kickback and maintain control of the saw. Don't let go.
3. Make sure that the area in which you are cutting is free from obstructions. Do not let the nose of the guide bar contact a log, branch, or any other obstruction which could be hit while you are operating the saw.
4. Cut at high engine speeds.
5. Do not overreach or cut above shoulder height.
6. Follow manufacturer's sharpening and maintenance instructions for the saw chain.
7. Only use replacement bars and chains specified by the manufacturer or the equivalent.

B. Other Safety Precautions

1. Do not operate a chain saw with one hand! Serious injury to the operator, helpers, bystanders, or any combination of these persons may result from one-handed operation. A chain saw is intended for two-handed use.
2. Do not operate a chain saw when you are fatigued.
3. Use safety footwear; snug-fitting clothing; protective gloves; and eye, hearing and head protection devices.
4. Use caution when handling fuel. Move the chain saw at least 10 feet (3 m) from the fueling point before starting the engine.
5. Do not allow other persons to be near the chain saw when starting or cutting with the chain saw. Keep bystanders and animals out of the work area.
6. Do not start cutting until you have a clear work area, secure footing, and a planned retreat path from the falling tree.
7. Keep all parts of your body away from the saw chain when the engine is running.
8. Before you start the engine, make sure that the saw chain is not contacting anything.
9. Carry the chain saw with the engine stopped, the guide bar and saw chain to the rear, and the muffler away from your body.
10. Do not operate a chain saw that is damaged, improperly adjusted, or not completely and securely assembled. Be sure that the saw chain stops moving when the throttle control trigger is released.
11. Shut off the engine before setting the chain saw down.
12. Use extreme caution when cutting small size brush and saplings because slender material may catch the saw chain and be whipped toward you or pull you off balance.
13. When cutting a limb that is under tension, be alert for springback so that you will not be struck when the tension in the wood fibers is released.
14. Keep the handles dry, clean, and free of oil or fuel mixture.
15. Operate the chain saw only in well-ventilated areas.
16. Do not operate a chain saw in a tree unless you have been specifically trained to do so.
17. All chain saw service, other than the items listed in the operator's manual maintenance instructions, should be performed by competent chain saw service personnel. (For example, if improper tools are used to remove the flywheel or if an improper tool is used to hold the flywheel in order to remove the clutch, structural damage to the flywheel could occur and could subsequently cause the flywheel to burst.)
18. When transporting your chain saw, use the appropriate guide bar scabbard.
19. Spark arrester mufflers approved to SAE Standard J335b are Standard on ECHO Chain saws to reduce the possibility of forest fires. Do not operate the chain saw with a loose or defective muffler. Do not remove the spark arrester screen.

CONTENTS

	Page
Rules for Safe Operation	2
Technical Data	4
Nomenclature of Parts	5
Preparation for Use	6
Operation	7
Cutting Instructions	9
Maintenance and Care	13
Chain and Guide Bar Combinations	14
Setting the Saw Chain	15
Troubleshooting	16
Storage	17
Correct Use of Chain Brake	18

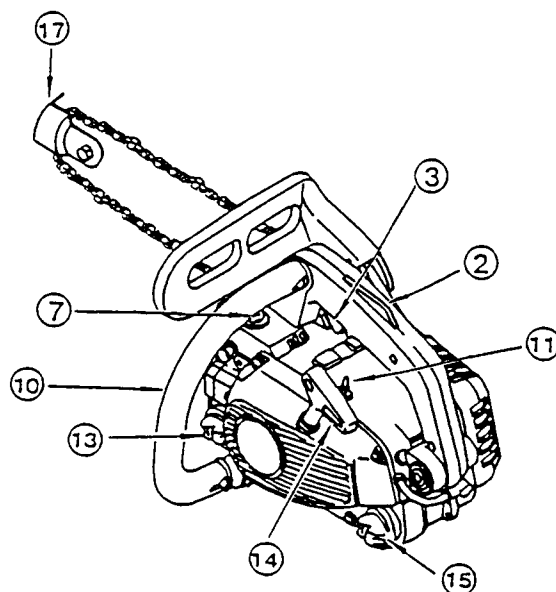
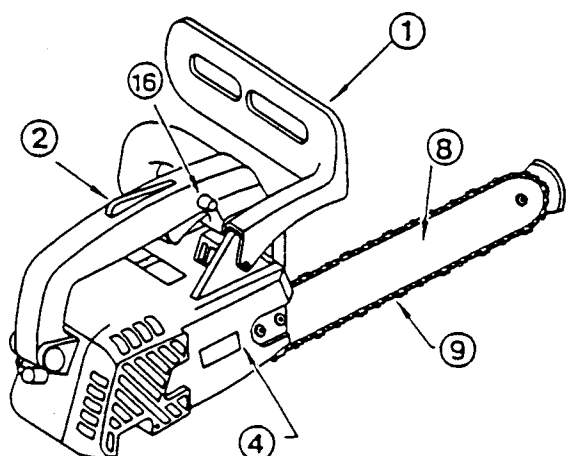
TECHNICAL DATA

Dimension	L x W x H		CS-3000 TYPE 1-E	CS-3400 TYPE 1-E	CS-3450 TYPE 1-E			
			CS-3000	CS-3400	CS-3450			
			mm			260 x 230 x 220		380 x 230 x 245
			inch			10.2 x 9.1 x 8.7		15.0 x 9.1 x 9.6
Weight	Power head, dry	kg	3.2 (7.1 lb) Without chain and guide bar	3.3 (7.3 lb) Without chain and guide bar	3.4 (7.5 lb) Without chain and guide bar			
Engine	Type	cc	Air-cooled, two-stroke, single cylinder					
	Displacement		30.1 (1.83 cu.in.)	33.4 (2.03 cu.in.)				
	Carburetor Magneto Spark Plug Starter Power transmission		Diaphragm type Flywheel magneto : CDI system CHAMPION CJ-7Y or NGK BPM 7A Recoil starter Automatic centrifugal clutch					
Fuel	Mixture ratio		50:1 ratio with ECHO brand two-stroke oil. 89 octane unleaded. Do not use fuel containing methyl alcohol, more than 10% ethyl alcohol or 15% MTBE.					
	Tank Capacity	liter	0.25 (8.6 fl oz U.S.)					
Oil	Bar and chain		ECHO bar and chain oil (or motor oil)					
	Tank Capacity	liter	0.15 (5 fl. oz. U.S.)					
Guide bar and saw chain			See page 14 for Bar and Chain technical data.					
	Lubrication		Adjustable automatic oil pump					
Standard features			Top Handle	Conventional handle Rear hand guard				
			Front hand guard, Anti-vibration device, Throttle control lockout, Chain brake, Chain catcher, Spurt arrester muffler					

* Technical data subject to change without notice.

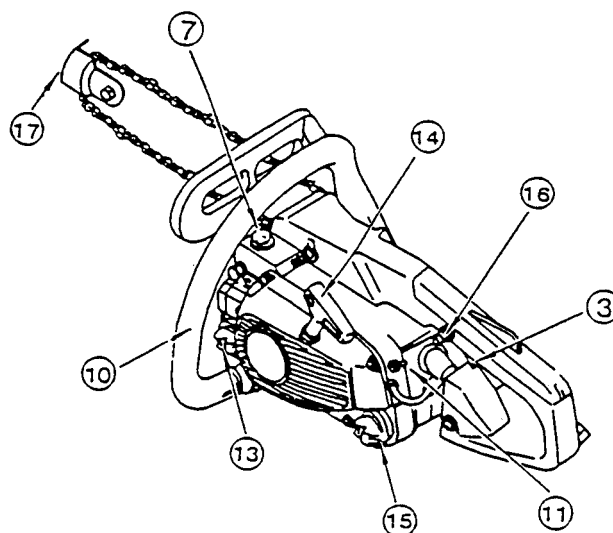
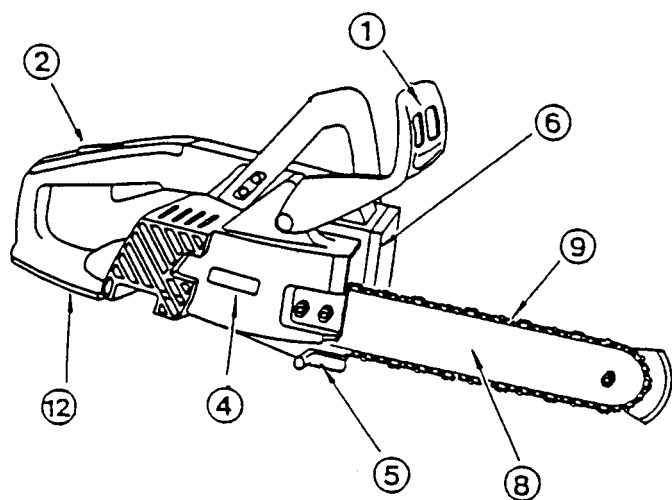
NOMENCLATURE OF PARTS

CS-3000, CS-3400

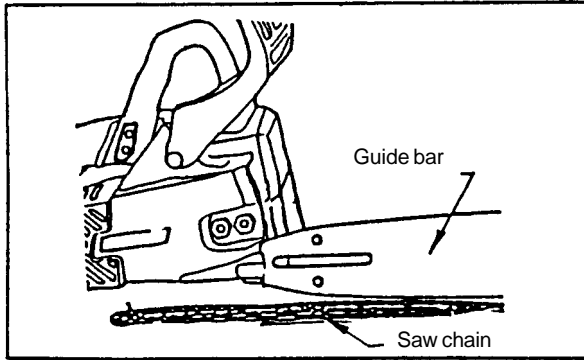


- | | | |
|--|----------------------|----------------------------|
| 1. Hand guard
(Chain brake actuating lever) | 6. Air cleaner cover | 11. On / Off switch |
| 2. Throttle control lockout | 7. Purge bulb | 12. Rear handle guard |
| 3. Throttle control trigger | 8. Guide bar | 13. Fuel tank cap |
| 4. Sprocket guard | 9. Saw chain | 14. Pull starter |
| 5. Chain catcher | 10. Front handle | 15. Oil tank cap |
| | | 16. Throttle control latch |
| | | 17. Tip guard |

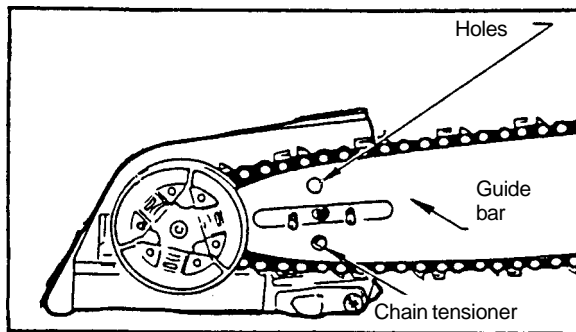
CS-3450



PREPARATION FOR USE

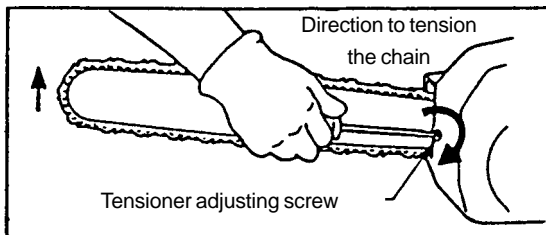


The machine is delivered with guide bar and saw chain separated. Install guide bar and chain as follows.



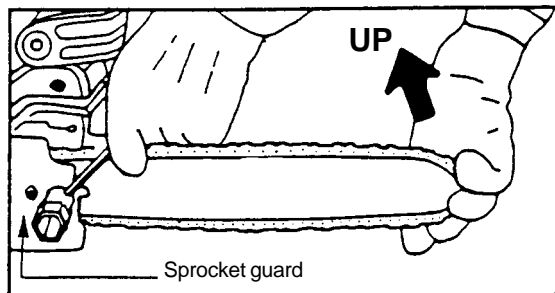
GUIDE BAR AND SAW CHAIN

- Unscrew two nuts and remove sprocket guard.
- Mount bar and slide toward sprocket to make saw chain installation easier.
- Install chain as shown with cutters facing forward.
- Ensure that tensioner fits into bar hole.
- Install sprocket guard tighten nuts finger tight.



ADJUSTMENT, CHAIN TENSION

- Turn the adjuster screw clockwise until the chain touches the bottom of the bar.
- Hold the bar nose up and tighten the chain until there is no clearance between the bar and chain tie straps.
- Tighten both nuts with the bar nose held up to eliminate clearance.
- Pull the chain around the bar by hand. Loosen the adjustment if you feel tight spots.
- Start the engine and run at low speed. Stop and readjust if necessary.



CAUTION

1. All adjustments should be made cold.
2. Always wear gloves when working on chain.
3. Do not operate with a loose chain.

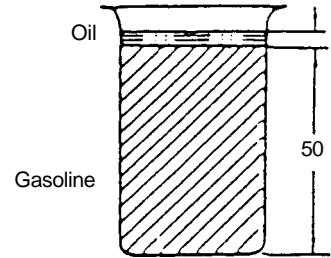
FUEL AND LUBRICANT

FUEL STATEMENT

GASOLINE - Use 89 Octane (R+M/2) gasoline or gasohol known to be good quality. Gasohol may contain maximum 10% ethyl (grain) alcohol or 15% MTBE (methyl tertiary-butyl ether). Gasohol containing methy (wood) alcohol is not approved.

OIL - ECHO brand premium two-stroke 50:1 oil is preferred. Mix oil and gasoline/gasohol according to instructions on the oil container label.

MIXING - Follow directions on the oil container.



Fuel Mix Chart
50:1

(U.S.)		(METRIC)	
GAS	OIL	GAS	OIL
Gal.	Fl. oz.	Liter	cc.
1	2.6	4	80
2	5.1	8	160
5	12.8	20	400

IMPORTANT

Stored fuel ages. Do not mix more fuel than you expect to use in thirty (30) days, ninety (90) days when a fuel stabilizer is added.

Stored two-stroke fuel may separate. ALWAYS shake fuel container thoroughly before each use.

CHAIN LUBRICANT

- Proper lubrication of the chain while in operation reduces friction between the chain and the guide bar to a minimum and assures a longer service life.
 - use bar and chain oil of high quality for this purpose.
 - Do not use used or reclaimed oil to avoid various oiler problems.
 - Use ECHO bar and chain oil.
 - When ECHO bar and chain oil is not available: Use motor oil, etc.
 - Use bar and chain oil of the following grades:
 - SAE NO. 30 in summer
 - SAE NO. 10 in winter or when cutting resinous trees.
 - When refueling, also refill chain oil.

TANK INDICATION

Fuel/oil tanks are indicated by the following illustrations on the tanks.



FUEL TANK

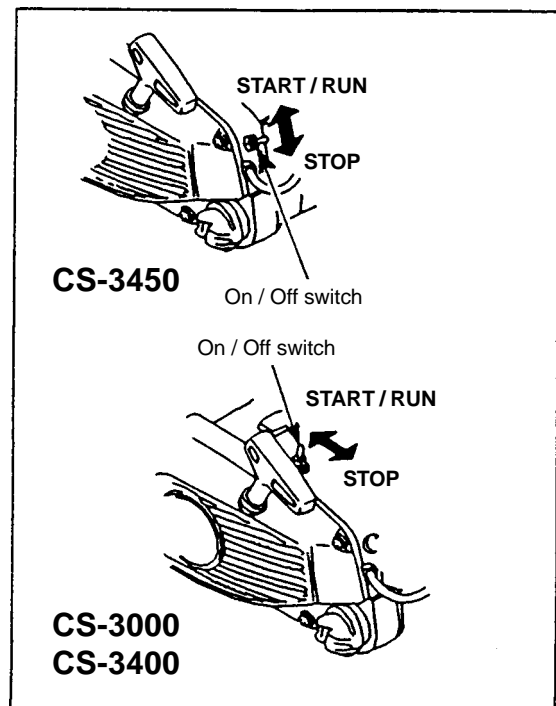


OIL TANK

OPERATION

WHEN THE ENGINE IS COLD

- Fill the fuel tank with fuel.
- Fill the chain oil tank with lubricant.
- Turn switch to "RUN" position.
- Pull choke all the way out. (Close position)
- Push purge bulb 3 to 4 times
- Pull starter handle several times until first firing sound. (Hold machine with your knee.)
- Push choke all the way in. (Open position)
- Pull starter handle again.



WHEN THE ENGINE IS HARD TO START

- Press throttle control lockout down while holding throttle trigger and push in latch.
- Pull starter handle.
- When engine starts, immediately push throttle trigger up, to release the latch.

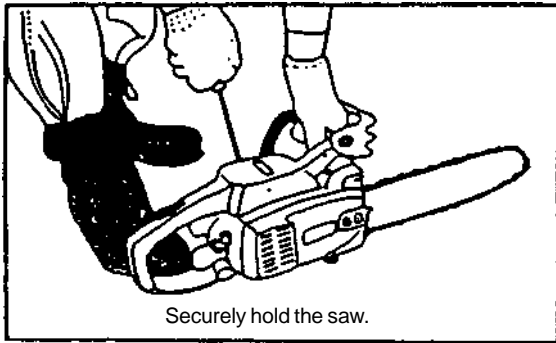
CAUTION

Clutch engages and chain will rotate when engine is started with throttle latch engaged.

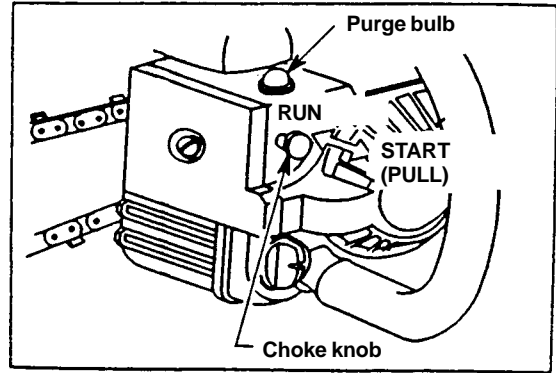
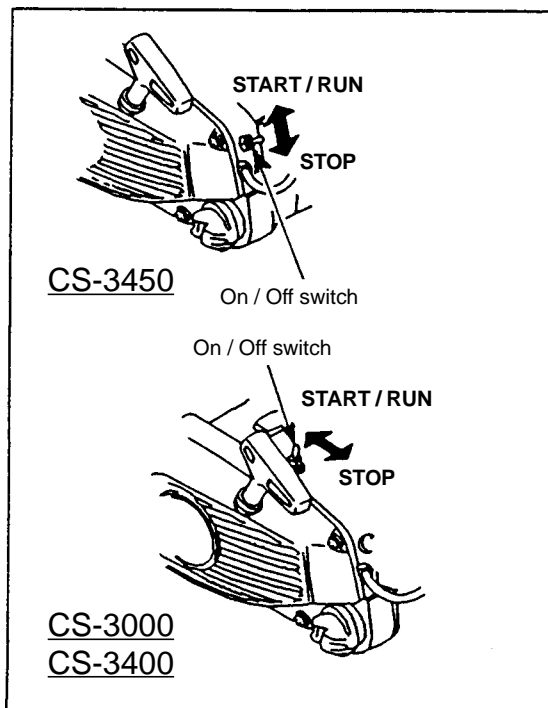
After engine starts, release throttle trigger to idle engine.

Never use the latch for cutting.

Use it only when starting the engine.



Make sure bar and chain are not touching anything when starting the saw.



Do not pull starter rope out to the maximum possible position.

Do not allow recoil handle to snap back against the casing.

STARTING WARM ENGINE

- Ensure that there is fuel and chain oil in the tanks. (If fuel tank was emptied during previous operation, refill tank and push purge bulb 3 or 4 times.)
- Turn switch to "RUN" position.
- Pull starter handle.
- Choke may be used if necessary but be sure to push it back on first firing sound.

NOTE

If engine does not start after 4 pulls, use cold start procedure.

RUNNING

- After engine starts, allow it to idle for a few minutes.
- Squeeze throttle trigger with throttle control lockout gradually to increase engine speed.
- Saw chain starts running when the engine reaches approximately 4200 rpm.
- Ensure proper acceleration and lubrication of chain and bar.
- Do not run the engine at high speed unnecessarily.
- Be sure that saw chain stops moving when throttle trigger is released.

STOPPING

- Release throttle trigger and turn switch to STOP position.

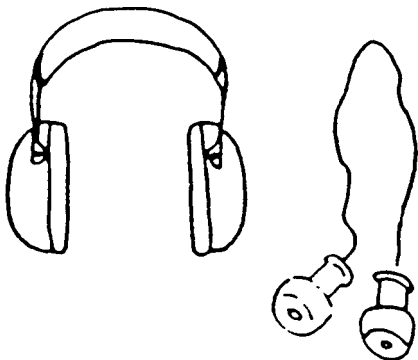
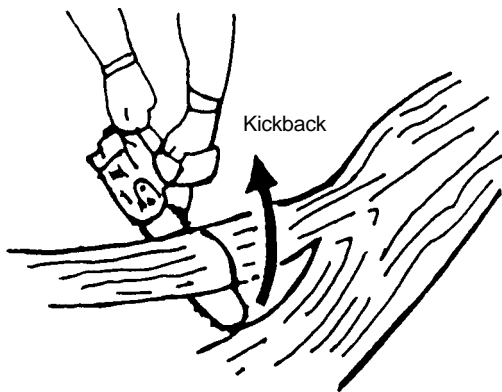
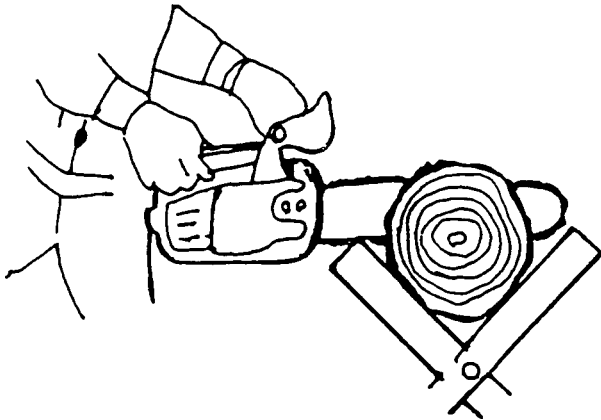
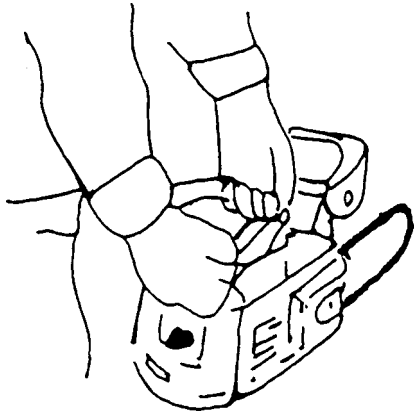
(NOTE)

When engine does not stop, pull choke out fully to stop engine.

Check and repair stop switch before starting the engine again.

CUTTING INSTRUCTIONS

GENERAL



[NOTE]

Read the ECHO "CHAIN SAW SAFETY MANUAL" included with your chain saw for additional cutting and safety instructions.

In all circumstances the operation of the chain saw is a one-man job. It is difficult at times to take care for your own safety, so don't assume the responsibility for a helper as well. After you have learned the basic techniques of using the saw, your best aid will be your own good common sense...

The accepted way to hold the saw is to stand to the left of the saw with your left hand on the front handlebar and your right hand on the rear handle so you can operate the throttle trigger with your right index finger.

Before attempting to fell a tree, cut some small logs or limbs. Become thoroughly familiar with the controls and the responses of the saw.

Start the engine, see that it is running properly. Squeeze the trigger to open the throttle wide open and start the cut. If the chain is properly sharpened, the cutting should be relatively effortless. It is not necessary to press down hard to make the saw cut. Pushing the saw too hard will slow the engine and cutting will actually be more difficult.

Some material may adversely affect the housings of your ECHO chain saw.

(Example: Palm Tree Acid, fertilizer, etc.) To avoid housing deterioration, carefully remove all packed saw dust around clutch and guide bar area and wash with water.)

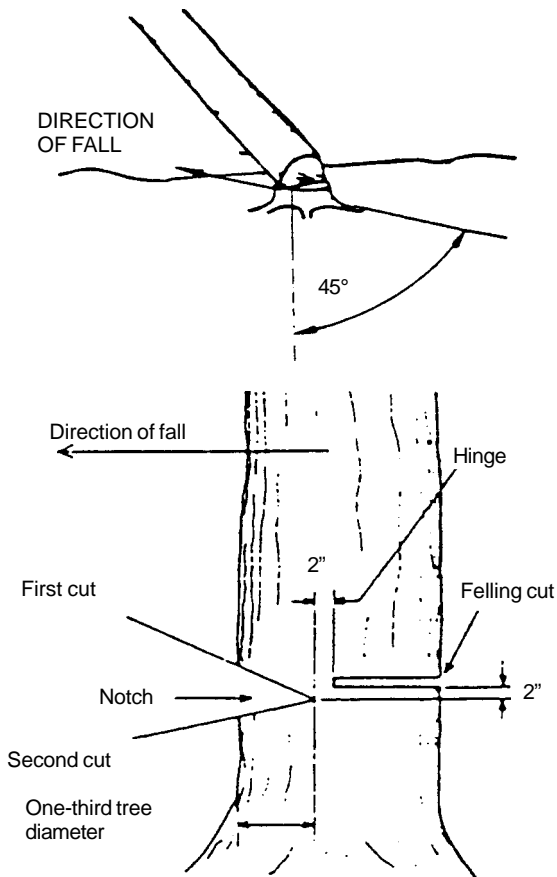
CAUTION

Do not let the tip of the bar touch anything while the engine is running. At cutting speed the chain is moving, at a high rate of speed. Should the tip contact a limb or log while the chain is moving, the tip will be pushed upward with considerable force. This is known as kickback. Avoid it!

CAUTION

Wear suitable hearing protective device such as earmuffs or earplugs to protect against objectionable or uncomfortable loud noises.

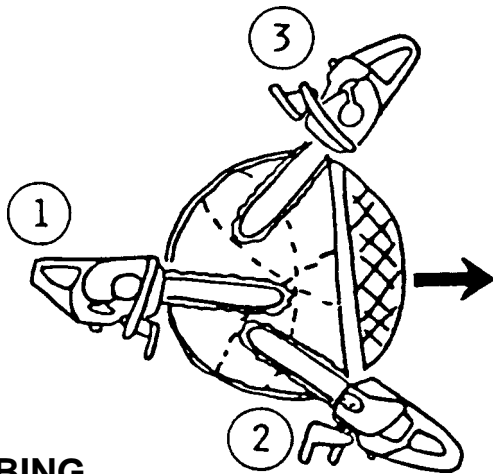
FELLING A TREE



A falling tree can seriously damage anything it may hit - a car, a house, a fence, a powerline, or another tree. There are ways to make a tree fall where you want it, so first decide where that is!

Before cutting, clear the area around the tree. You will need good footing while working and you should be able to work the saw without hitting any obstacles. Next, select a path of retreat. When the tree begins to fall you should retreat away from the direction of fall at a 45 degree angle to avoid the trunk kicking back over the stump.

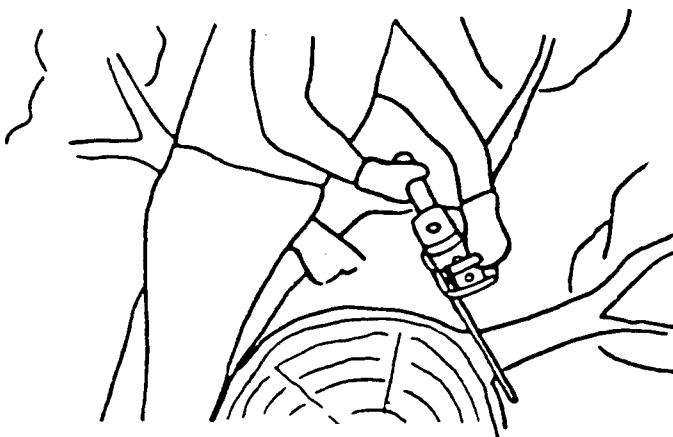
Begin the cut on the side to which the tree is to fall. Cut a notch about 1/3 of the way into the tree as shown. The position of this notch is important since the tree will try to fall "into" the notch. The felling out is made on the side opposite the notch and at a level about 2" above the bottom of the notch. Do not try to cut through to the notch with the felling cut. The remaining wood between the notch cut and felling cut (about 2") will act as a hinge when the tree falls, guiding it in the desired direction. When the tree starts to fall, kill the engine, place the saw on the ground and make your retreat quickly.



To fell big trees with a diameter exceeding twice the bar length, start the notching cuts from one side and draw the saw through to the other side of the notch. Start the back cut on one side of the tree, pivoting the saw through to form the desired hinge on that side.

Then remove the saw for the second cut. Insert the saw in the first cut, very carefully so as not to cause kickback. The final cut is made by drawing the saw forward in the cut to reach the hinge.

LIMBING



Limbing a fallen tree is much the same as bucking. Never limb on the tree that you are standing. When limbing, caution is the word. Be careful of the tip touching other limbs. Always use both hands.



Don't cut with the saw overhead or the bar in a vertical position. If the saw should kick back you may not have good enough control to prevent possible injury.

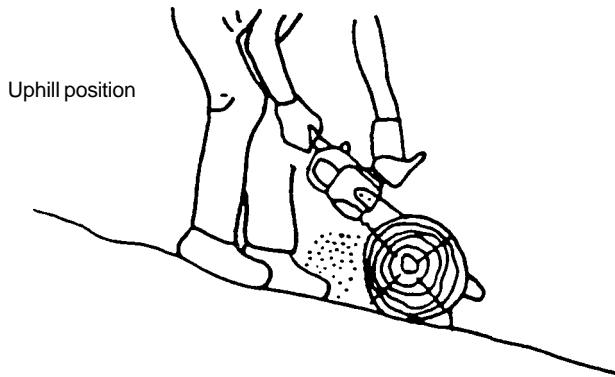
BUCKING

Bucking is the sawing of a log or fallen tree into smaller pieces. There are a few basic rules which apply to all bucking operations.

Keep both hands on the handles at all times.

Support logs if possible.

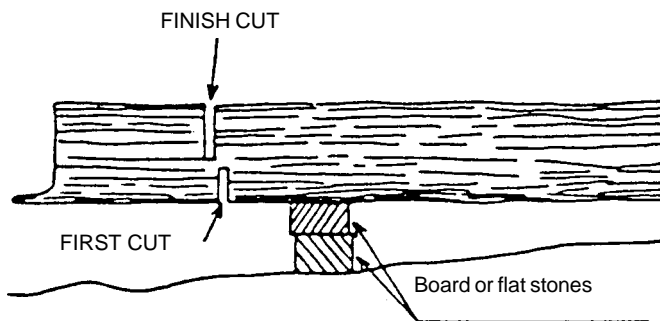
When cutting on a slope or hillside, always stand uphill.



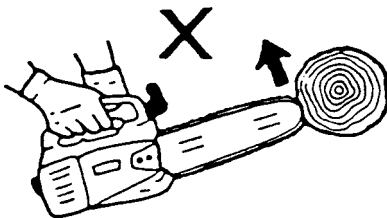
Keep in mind that the wood is heavy and that it will bend and pinch the saw if improperly supported.

The trunk will weaken at the point where you make the cut unless the tree is lying on perfectly flat ground or supported as shown.

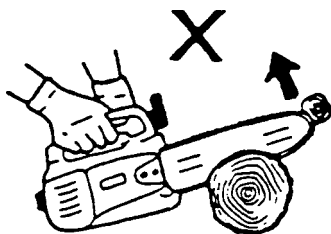
If you make the cut with the tree on the ground, don't let the saw's chain dig into the earth; it is harmful for the saw, and you stand a good chance of being struck by flying debris. To cut the trunk, use the bucking and two-cut sequence shown. The first cut should be no deeper than one-third the trunk diameter.



KICKBACK



- Improper thrust cutting.



- When the bar nose hits another tree, etc.

WARNING: KICKBACK IS DANGEROUS

Kickback is generated when the rotation of the chain is arrested for some reason. The most dangerous effect of this action occurs when the nose of the bar contacts another object, the chain is momentarily stopped and all the energy of the engine throws the bar upwards and backwards towards the operator.

The chain saw industry and government agencies have attempted to prescribe various safety devices, but the best protection is to avoid kickback.

Comply with the Safety Precautions as listed on page 2 of this manual.

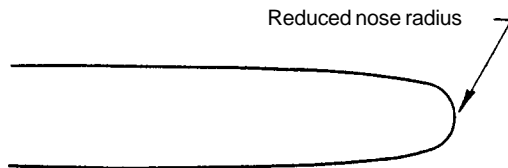
INFORMATION

Kickback Safety Features

The following features are recommended for this model as Kickback Safety Features.

- Double Guard Low Kick Type Guide Bar or Asymmetrical Low Kick Type Guide Bar
Note: You saw chain can be equipped with either of these bars.

Guide à Double Guard



NOTE:

Replacement Guide Bars

The following guide bars may be considered to have equivalent kickback energy.

- Sprocket nose guide bars of the same length and nose radius, same pitch and having the same number of teeth.
- A hard nose guide bar having the same length and nose radius as a sprocket nose bar.
- **Low Kick Guard Link Type Saw Chain**

The low kick guard link chain must be maintained correctly. Follow instruction "SETTING THE CHAIN" in operator's manual.

- **Front Handle Guard**

The front handle guard must be installed correctly and kept in good condition.

- **Chain Brake**

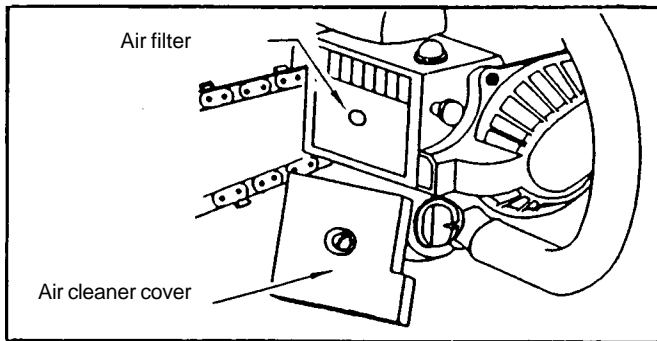
The chain brake is available as a standard feature on the P-type model.

Chain brake must be maintained correctly. Follow instruction "CORRECT USE OF CHAIN BRAKE" in operator's manual.

CAUTION !!

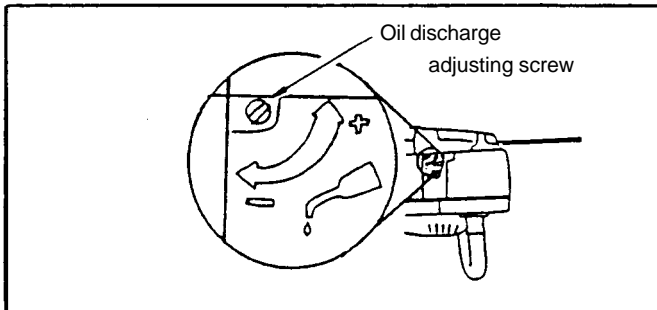
The consequences of using improper replacement components and of removing safety devices may result in serious or fatal injury

MAINTENANCE AND CARE



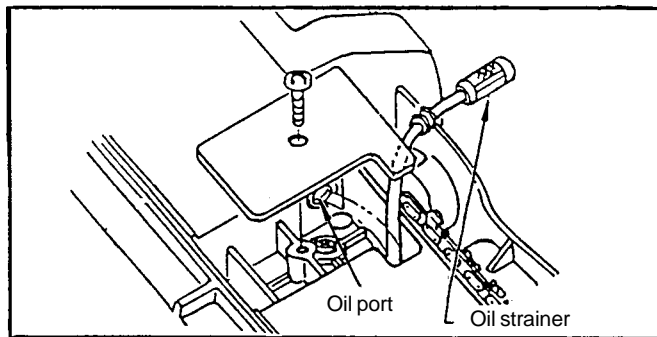
AIR FILTER

- Check before every use.
- Pull choke all the way out (Close position).
- Loosen bolt, and remove air cleaner cover and filter.
- Brush off dust lightly, or wash it in water and detergent if necessary. Dry it completely before installation.



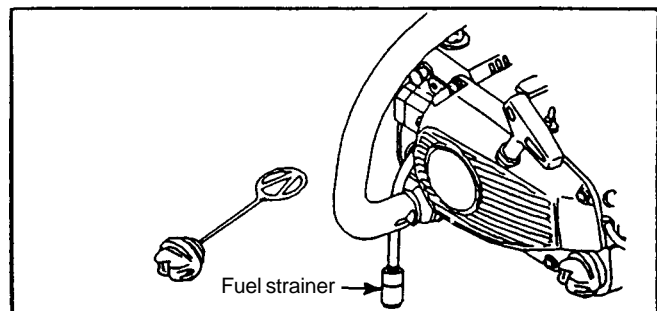
AUTOMATIC OILER

- The discharge volume of the automatic oiler is adjusted to 3 to 4 cc/min (at 7000 rpm), prior to shipment from factory.
- Always check oil discharge when in use.



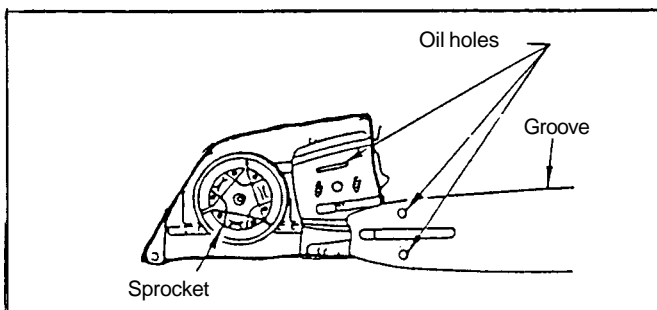
OIL STRAINER

- Check periodically.
- Do not allow dust to enter into oil tank.
- Clogged oil strainer will affect the normal lubricating system.
- Pick it up through oil port.
- If the strainer is dirty, wash it in gasoline.
- When the inside of the tank gets dirty, it can be cleaned by rinsing the tank out with gasoline.



FUEL STRAINER

- Check periodically.
- Do not allow dust to enter fuel tank.
- Clogged strainer will cause difficulty in starting engine or abnormalities in engine performance.
- Pick up the fuel strainer through fuel inlet port with a piece of steel wire or the like.
- When the strainer is dirty, wash it in suitable cleaning fluid.
- When the inside of the fuel tank is dirty, it can be cleaned by rinsing the tank out with suitable cleaning fluid.

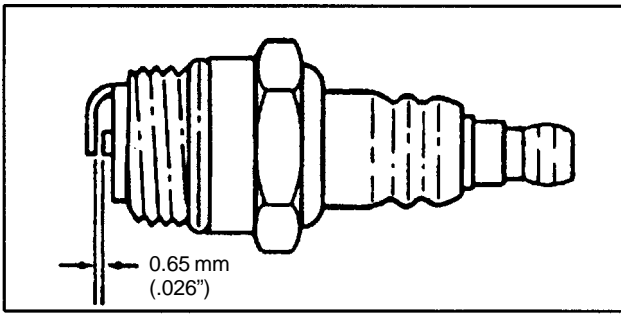


GUIDE BAR AND OIL HOLES

- Clean before starting work.
- Clean the groove of the guide bar with, for example, a small screw driver.
- Clean oil holes with a wire.
- Reverse guide bar periodically.

SPROCKET

- The damaged sprocket will cause premature damage or wear of saw chain.
- When the sprocket has worn out 0.5 mm (.020 in.) or more, replace it.
- Check sprocket when you install new chain. Replace it if worn.
- Clean sprocket, clutch and bar mount area before installation of bar.



SPARK PLUG

- Check periodically.
- Gap = 0.65 mm (.026")
- Replace if either electrode is worn or if the insulator is fouled by oil or other deposits.
- TORQUE = 145 ~ 155 kg•cm (125 ~ 135 in. lb.)

CAUTION Do not over torque.

CARBURETOR ADJUSTMENT

Non Emission Models

Tools Required: Tachometer P/N 99051130010

GENERAL ADJUSTMENTS

- Idle adjustment screw is adjusted not to rotate the saw chain at idling speed, prior to shipment from factory.
- Remove grommet cover over "H" and "L" limiter needles.

1. Turn Hi and Lo speed mixture needles iclockwise (CW) until lightly seated.

IMPORTANT: Do not over tighten mixture needles, otherwise needle tip and carburetor body seat damage may occur.

2. Back Lo speed mixture needle out counter-clockwise (CCW) 1-1/4 turns for CS-3400/3450, and 1-5/16 for CS-3000. Back Hi speed mixture needle out counter-clockwise (CCW) out 1-1/2 turns out for the CS-3400/3450 and 1-3/8 turns out for CS-3000.

3. Turn Idle Speed screw in or out until the tip of the screw contacts the throttle plate. Then turn it in clockwise (CW) 3 additional turns.

4. Start the engine and conduct initial warm-up at idle for one minute.

5. Using a tachometer, confirm WOT (Wide Open Throttle) engine speed. If the WOT (wide open throttle) RPM is above 11,500, enrich the mixture by turning Hi Speed mixture needle counter-clockwise (CCW) until engine runs between 10,500 and 11,500 RPM.

IMPORTANT: After one minute idle warm-up, to assure accurate carburetor adjustments, the engine temperature must be fully and completely stabilized, using the following procedure. Operate the choke twice during the first minute of WOT (Wide Open Throttle) warm-up to clear air from the carburetor chambers. To completely stabilize engine temperature, run the unit for 5 minutes at a cycle of 15 seconds WOT (Wide Open Throttle) and 5 seconds idle down period.

IMPORTANT: To avoid engine damage during engine warm-up, do not run the engine at WOT (Wide Open Throttle) for longer than 15 seconds at a time, without the 5 second idle down period.

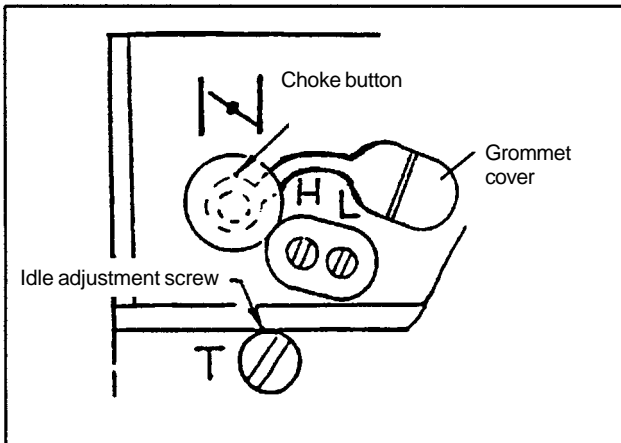


FIG. 3

Locating slots for cap slots

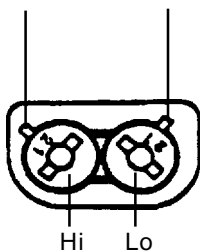
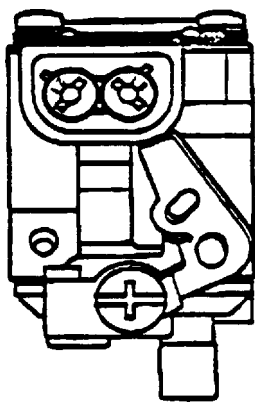


FIG. 4



LO SPEED MIXTURE ADJUSTMENT

1. Adjust the Lo speed mixture needle in clockwise (CW) until maximum idle RPM (just before lean drop off) is achieved.

NOTE: Engine RPM must be allowed to stabilize a minimum of 20 seconds after each adjustment .

2. Turn the Idle speed adjusting screw to achieve idle of 4,000 RPM.
3. Using tachometer, rich down by adjusting Lo speed mixture needle out counter-clockwise (CCW) until engine reaches 3,000 RPM at idle.

HI SPEED MIXTURE ADJUSTMENT

1. Turn the Hi speed mixture needle or counter-clockwise (CCW) out (richer) until the RPM is between 10,500 and 11,500.
2. Turn limiter caps counter-clockwise (CCW), so that the limiter cap stops, align with locating slots in the carb body. Place limiter caps over respective mixture needles. **(See Fig. 3)**
3. With a flat end tool, push both limiter caps down gently and completely on to their respective needles. **(See Fig. 4)** Push, do not hit the limiter caps. Make sure the mixture needles do not move while the caps are being installed.
4. Install needle access cover to prevent dirt entry into carb airbox.

(CAUTION)

When starting, idling adjustment speed should be adjusted not to rotate the saw chain.

Correct idle speed is adjusted 2900 to 3100 rpm. Or 1/4 turn counter clockwise from the point the chain stops moving.

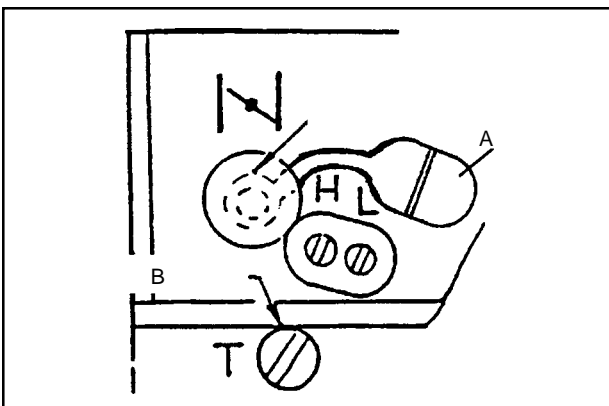
When there is some trouble with the carburetor, refer to your distributor or dealer.

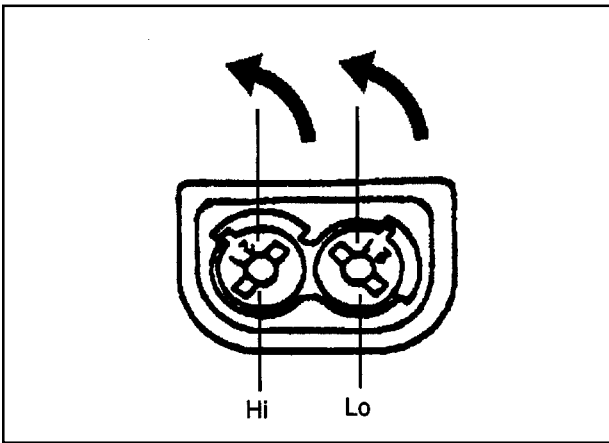
CARBURETOR ADJUSTMENT

Emission Models

Before starting the unit for adjustment, check the following items:

- The correct spark plug must be clean and properly gapped.
 - The air filter element must be clean and properly installed.
 - The muffler spark arrestor screen and exhaust port must be clear of carbon.
 - The standard bar and chain combination (see page 4) must be installed to the power head, and properly tensioned.
1. Start engine and run for several minutes to reach operating temperature.
 2. Stop engine. Remove grommet cover (A) over "H" and "L" limiter needles.
 3. Turn HI speed needle (H) CCW (counter clockwise) to stop. Turn LO speed needle (L) CCW (counter clockwise) to stop.





4. Idle Speed Adjustment.
 - Start engine and turn "idle" speed adjustment screw (B) CW until the saw chain begins to move, then turn the screw CCW until saw chain stops moving. Turn screw CCW an additional 1/4 turn.
5. Accelerate to full throttle for 2-3 seconds to clear excess fuel from engine then return to idle. Accelerate to full throttle to check for smooth transition from idle to full throttle. If engine stops or stalls after full warm up return the unit to your authorized ECHO dealer for repair.
6. Check HI speed RPM at W.O.T. (Wide Open Throttle). HI speed RPM should be set between 10,500 and 11,500 RPM's.
7. Check idle speed and reset if necessary. If a tachometer is available, idle speed should be set between 2,700 and 3,300 RPM's.

(CAUTION)

- When starting, idling adjustment speed should be adjusted not to rotate the saw chain.
- When there is trouble with the carburetor, refer to your distributor or dealer.

CHAIN AND GUIDE BAR COMBINATION

The following combinations may be use on CS-3000, CS-3400 or CS-3450

Model	GUIDE BAR			Pitch	Guide	Chain Number	Kick Guard Number
	Length	ECHO P/N	OREGON P/N				
CS-3000	12 in.	*120374501	12A OCD3745	3/8	.050	91VG-45X	28949
CS-3400	14 in.	*140375201	14A OCD3752	3/8	.050	91VG-52X	28949
CS-3450	16 in.	*160375701	16A OCD3757	3/8	.050	91VG-57X	28949

* Reduced nose radius symmetrical bars. (OREGON name ----- Double Guard)

WARNING DANGER

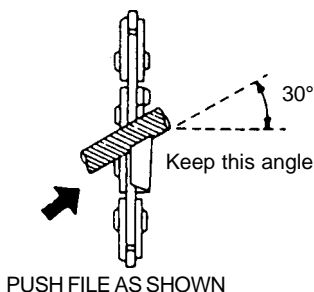
Use of replacement saw chain and/or guide bar other than that specified, or operation without the "tip guard" in place may cause severe kickback resulting in serious injury.

Only use saw chain designated as, "LOW-KICKBACK", that meets the ANSI B175. 1-2000 standard and the ECHO guide bar specified.

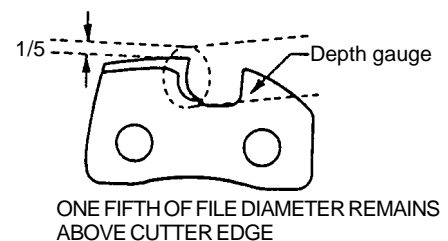
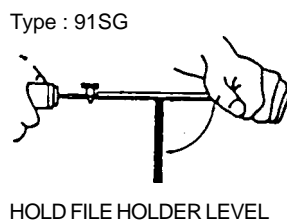
SETTING THE SAW CHAIN

For setting saw chains, round file (4 mmø: 5/32") and flat file are used.

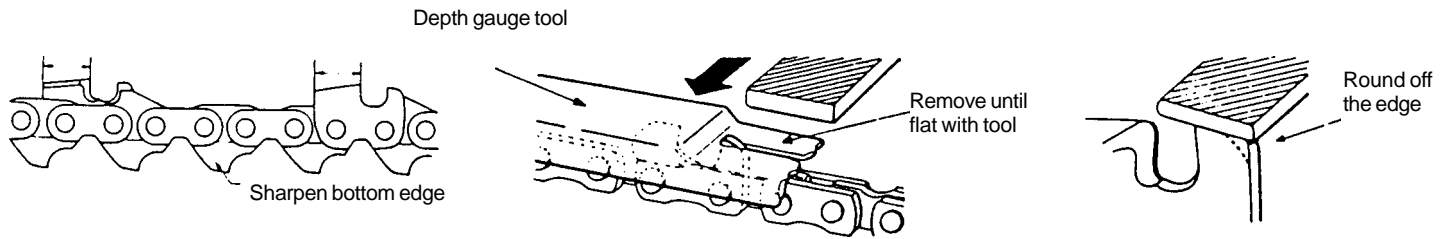
- To keep correct position and correct angle, use the file holder (Sure Sharp).
 - Round file (P-No. 897510-03930) and flat file (P-No. 897511-00230) are optional.
 - Please inquire about the file holder, if desired.
- File cutters as below.



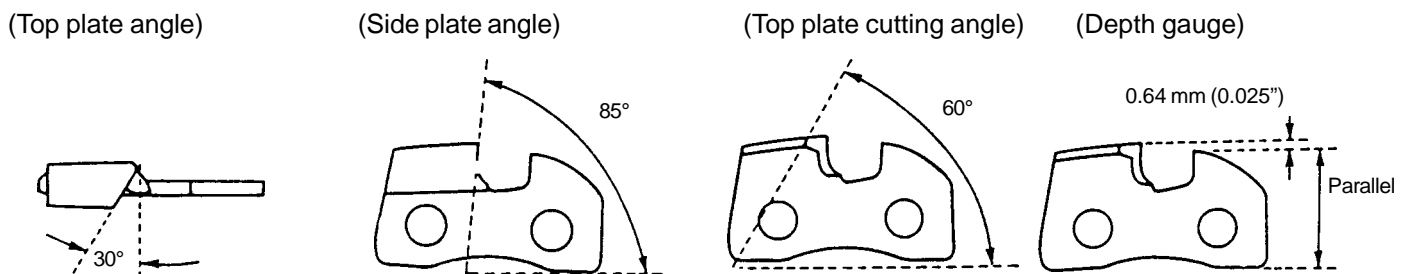
To sharpen other type chain, follow chain manufacturer's instructions



- Place the depth gauge tool firmly on guide bar so that depth gauge protrudes. Then file top of depth gauge with flat file until flat with top of the gauge tool.
 - Be sure to round off the front edge of the depth gauge.



- Properly filed cutters are shown below.

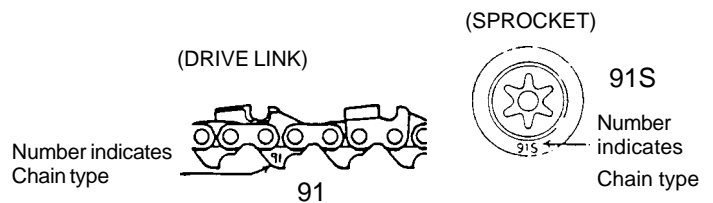


- When setting of the chain is finished, soak it in oil and wash away filings completely before using.
- When chain has been filed on the bar, supply sufficient oil to it, rotate the chain slowly to wash away the filings before using again.
- If the chain saw is operated with filings clogged in the groove, the saw chain and the guide bar will be damaged prematurely.
- If the saw chain becomes soiled with resin, for instance, clean it with kerosene and soak it in oil.

CHAIN TYPE AND SPROCKET PITCH

Saw chain should be used with corresponding pitched sprocket. To identify chain type and pitch of sprocket, check as follows.

- Chain type number is stamped on drive link.
- Sprocket pitch is stamped on clutch drum.



TROUBLESHOOTING

Poor performance of the engine and/or cutting mechanism can normally be prevented by carefully following the above instructions.

Poor performance can easily be corrected even by a beginner.

When the engine does not function properly check the following three (3) points first.

- Is the engine compression adequate?
- Is fuel system in good condition and is enough fuel being supplied?
- Is electrical system in good condition and is spark plug operating normally?

When there is serious trouble with the unit, do not try to repair it yourself but have your distributor or dealer do it for you. For detailed TROUBLESHOOTING refer to tables 1 and 2. Locate the problem on the following charts and repair as necessary.

Table 1

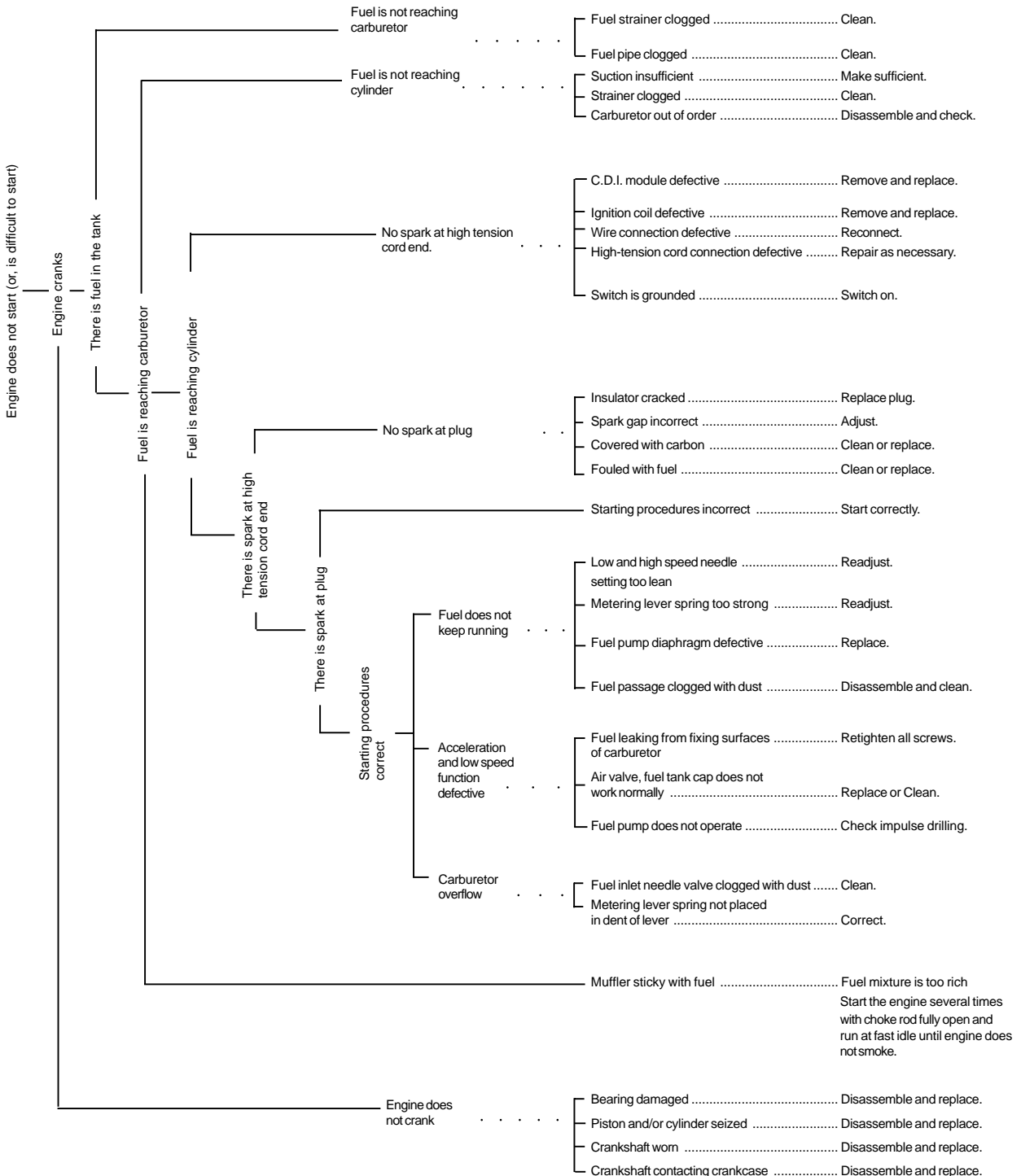
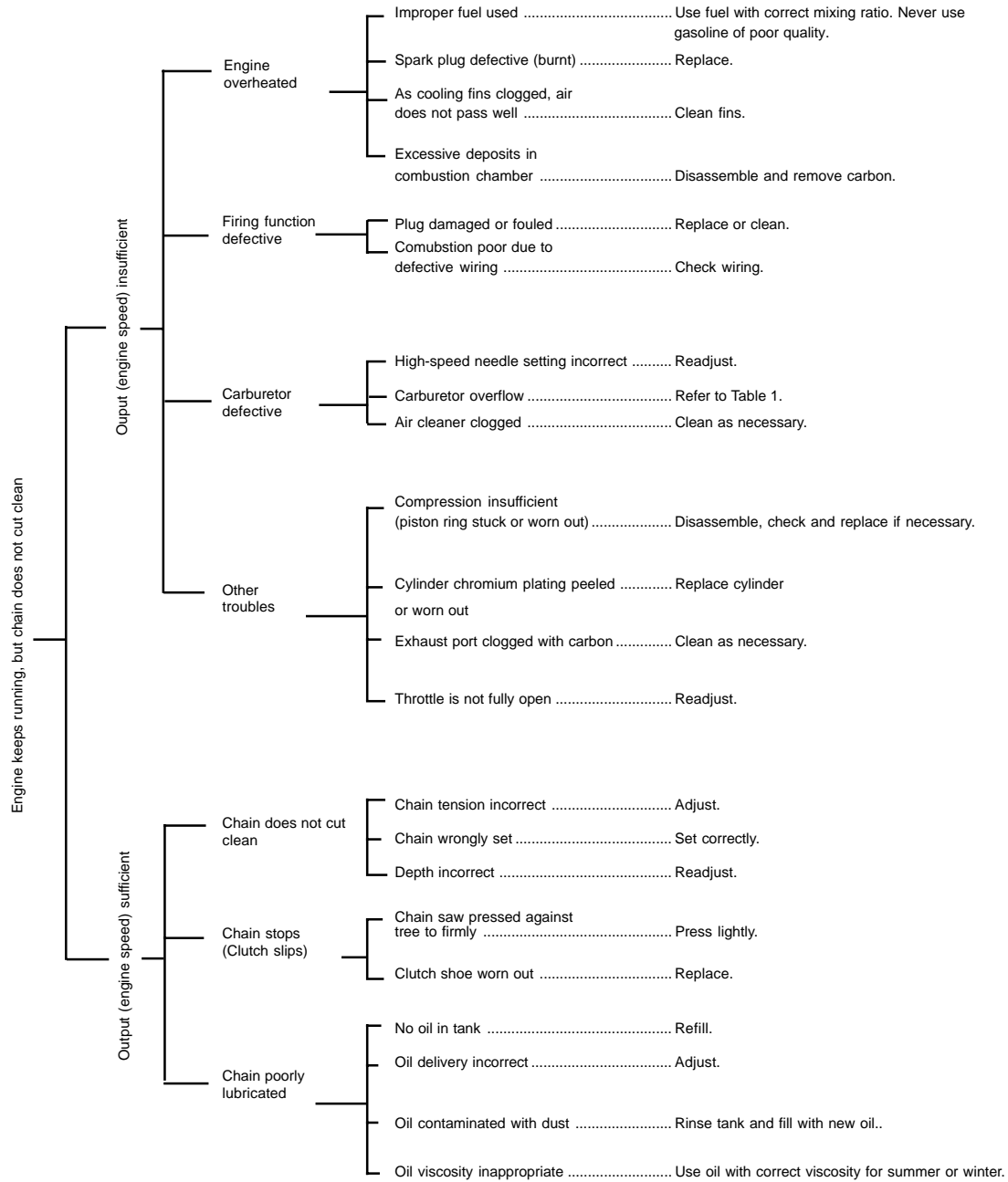


Table 2



STORAGE AFTER USE

- Inspect and adjust every part of the chain saw.
 - Completely clean every part, and repair, if necessary.
 - Apply thin coating of oil on metal parts to prevent rust.
 - Remove chain and guide bar, apply sufficient oil coating and wrap them up in plastic.
- Drain fuel tank, pull starter slowly a few times to drain fuel from carburetor.
- Pour a small amount of clean motor oil into spark plug hole, pull starter and crank engine until the TOP DEAD CENTER.
- Store in a dry area, free from dust.

CORRECT USE OF CHAIN BRAKE

The installation of a chain brake may be mandatory by law or as stipulated by insurance regulations in your area of operation. You should enquire through local government offices, your employer or your local dealer to ensure that your chain saw conforms to the required safety standard. Echo chain brakes have been designed and tested to comply with international safety standards as follows.

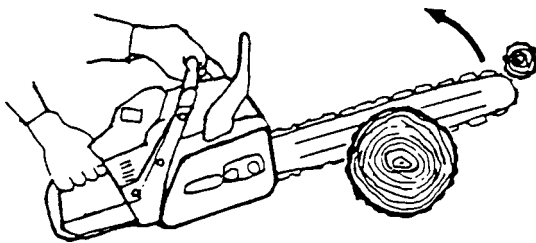
USA: ANSI Standard B175.1-2000 Safety Requirement for chain saws

Canada: CSA Standard Z 62.1 CHAIN SAWS

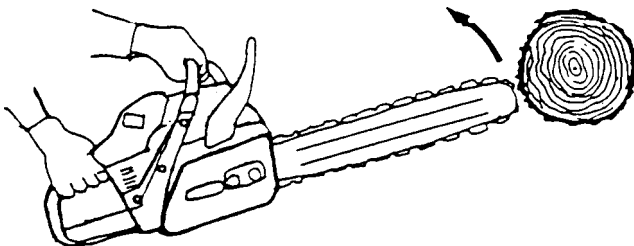
WARNING :

- ANSI Standard B175.1-2000 stipulates that the brake shall stop the chain in 0.10 seconds (one tenth) at an engine speed of 8000 RPM. It is the responsibility of the Owner/Operator to ensure that the brake is serviced, adjusted and tested strictly in accordance with the instructions as detailed herein in order to ensure that the brake performance is maintained in compliance with the Standard B175.1-2000.

Kickback Motion:

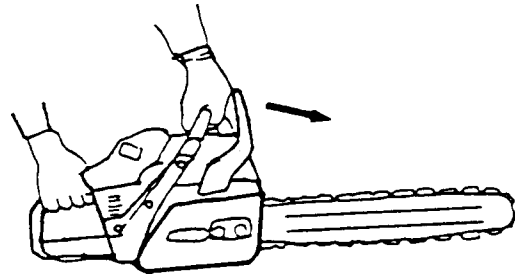


- When the bar nose hits another tree, etc.



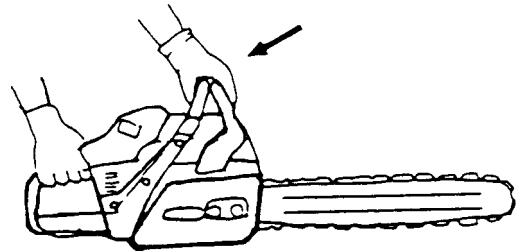
- Improper thrust cutting.

Function:



- When the lever is pushed forward, chain brake instantly works to stop the chain.

Release:



- When the lever is fully pulled toward the operator, brake is released.

INSTALLATION

- Echo recommends that the chain brake should be serviced by an authorized Echo servicing dealer.

OPERATION

- Set the lever in the released position before starting to cut.
- If the brake is tripped by kick back reaction, the chain will stop. Immediately release the throttle to avoid possible damage to the engine or clutch.
- Do not attempt to start or operate the engine with the brake engaged.

TESTING THE BRAKE

- Start the engine on a solid level surface and run at a fast idle until warm.
- Hold the saw firmly by the handles and accelerate the engine to a fast idle.
- Slowly operate the chain brake lever while holding the saw firmly on the ground. When the brake lever trips, the chain should stop. Immediately release the throttle trigger.

CAUTION

DO NOT ALLOW THE SAW TO TIP FORWARD IN ORDER TO AVOID DAMAGE TO THE CHAIN.

If the chain does not stop, immediately return the saw to your authorized Echo dealer for repair.

SERVICING INFORMATION

PARTS

Genuine ECHO Parts and ECHO Re Power Parts and Assemblies for your ECHO products are available only from an Authorized ECHO Dealer. When you do need to buy parts **always** have the Model Number, Type number and Serial Number of the unit with you. You can find all three numbers on the engine housing. For future reference, write them in the space provided below.

Model No. _____ Type No. _____ SN. _____

SERVICE

Service of this product during the warranty period must be performed by an Authorized ECHO Service Dealer. For the name and address of the Authorized ECHO Service Dealer nearest you, ask your retailer or call: 1-800-432-ECHO. When presenting your unit for Warranty service/repairs, proof of purchase is required.

ECHO CUSTOMER ASSISTANCE

If you require assistance or have questions concerning the application, operation or maintenance of this product you may call the ECHO Customer Assistance Department at 1-800-673-1558 from 8:30 am to 4:30 pm (Central Standard Time) Monday through Friday. Before calling, please know the model and serial number of your unit to help your Customer Assistance Representative.

WARRANTY CARD

This card is our means of registering all original owners of ECHO equipment. The card plus proof of purchase provides you the assurance that authorized warranty work will be done. It also provides a direct link between you and ECHO if we find it necessary to contact you.

ADDITIONAL OR REPLACEMENT MANUALS

Safety Manuals in English/Spanish or English/French are available, free of charge, from your ECHO dealer or at www.echo-usa.com.

Operator's and Parts Manuals are available by:

- Downloading free from www.echo-usa.com
- Purchasing from your Echo Dealer.
- Sending a check or money order for \$2.00 per Parts Catalog or \$1.50 per Operator's Manual made payable to ECHO, INCORPORATED. State on a sheet of paper the model number and serial number of the ECHO unit you have, part number of the manual (if known), your name and address and mail to address below.

Safety Videos are available from your Echo dealer. A \$5.00 shipping charge will be required for each video.

Available Parts Catalog Parts Lists

CS-3000 TYPE 1E S/N 001001 & UP,

CS-3400 TYPE 1E S/N 001001 & UP,

CS-3000 TYPE 1E S/N 001001 & UP,

PART NUMBER 99922202830

**DEALER?
CALL
1-800-432-ECHO
OR
www.echo-usa.com**

**CUSTOMER
ASSISTANCE
1-800-673-1558
8:30 - 4:30 Mon - Fri C.S.T.**



ECHO®

ECHO, INCORPORATED

400 OAKWOOD ROAD

LAKE ZURICH, IL 60047-1564

www.echo-usa.com



SUPPLEMENT TO OPERATOR'S MANUALS
FOR MODELS: CS-3000/3400/3450
FOR MODELS: CS-300/340/345
FOR MODELS: CS-301/341/346
FOR MODELS: CS-305/306

*This Supplement contains important information. Please keep with your Instruction Manual.
Please use this information when installing or adjusting guide bar/saw chain.*

PREPARATION FOR USE

ADJUSTMENT, CHAIN TENSION

IMPORTANT!

Tighten guide bar nuts to 90 – 110 kgf/cm (80 – 95 in. lbs.)
DO NOT over-tighten nuts. Damage to saw may result.

*Este suplemento contiene la información importante. Guarde por favor con el manual de su operador.
Use esta información al instalar o ajuste de la barra y la cadena.*

ANTES DE LA OPERACIÓN

AJUSTE DE LA TENSION LA CADENA

IMPORTANTE!

Apriete las tuercas de la barra de la guía 90 a 110 kgf/cm (80 a 95 pulg. libras.)
No apriete las tuercas demasiado. El daños a la unidad pueden resultar.

*Ce supplément contient l'information importante. Veuillez le garder avec le manuel de votre opérateur.
Utiliser ces instructions pour l'installation et adjustment du le barre ainsi que la chaîne.*

PRÉPARATION POUR L'UTILISATION

RÉGLAGE DE LA TENSION DE LA CHAÎNE DE SCIE

IMPORTANT!

Serrez des écrous de barre de guide 90 à 110 kgf/cm (80 à 95 po livres.)
Ne serrez pas les écrous trop. Les dommages avec l'unité peuvent résulter.

SUP22203717

99922203717
01/04

Free Manuals Download Website

<http://myh66.com>

<http://usermanuals.us>

<http://www.somanuals.com>

<http://www.4manuals.cc>

<http://www.manual-lib.com>

<http://www.404manual.com>

<http://www.luxmanual.com>

<http://aubethermostatmanual.com>

Golf course search by state

<http://golfingnear.com>

Email search by domain

<http://emailbydomain.com>

Auto manuals search

<http://auto.somanuals.com>

TV manuals search

<http://tv.somanuals.com>