

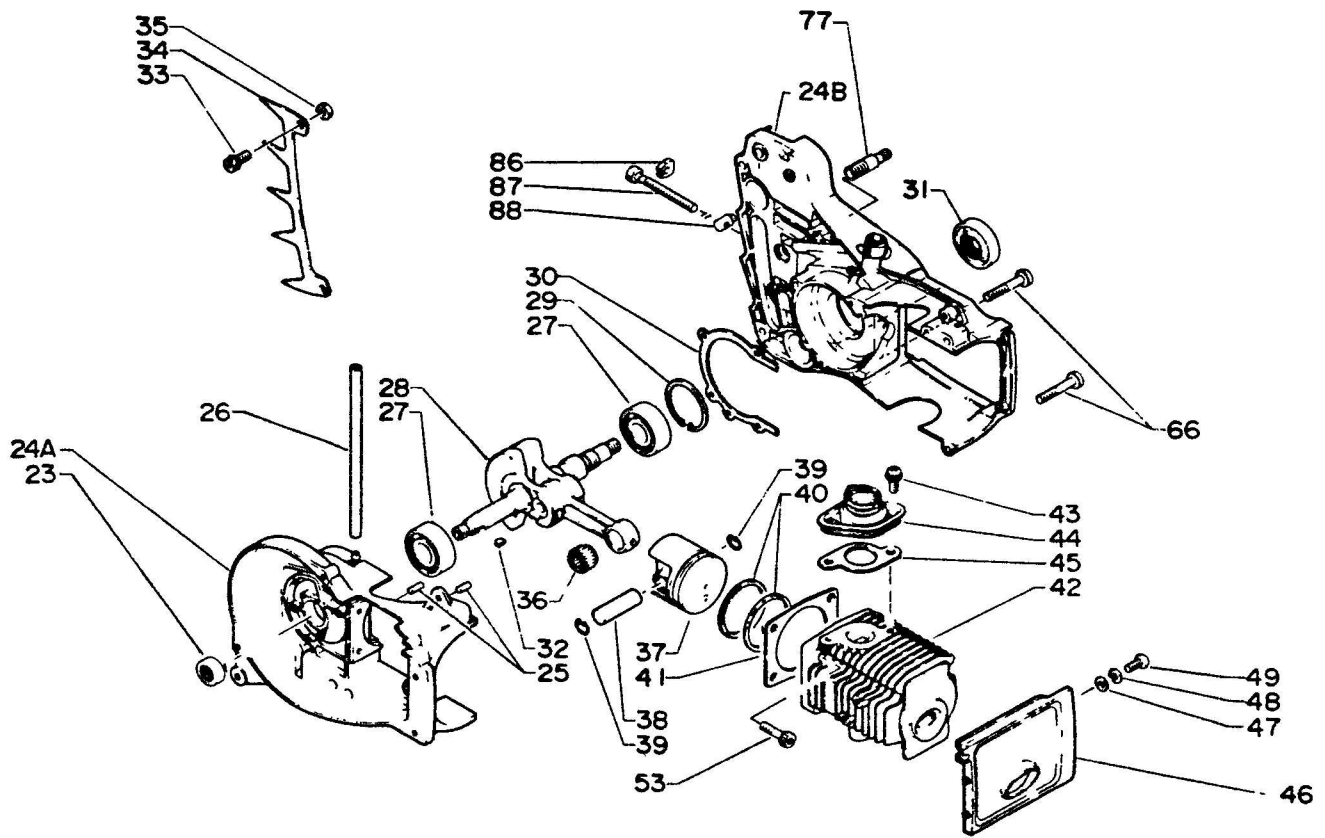


PARTS CATALOGUE

ECHO CHAIN SAW CS-440EVL CS-440EVL



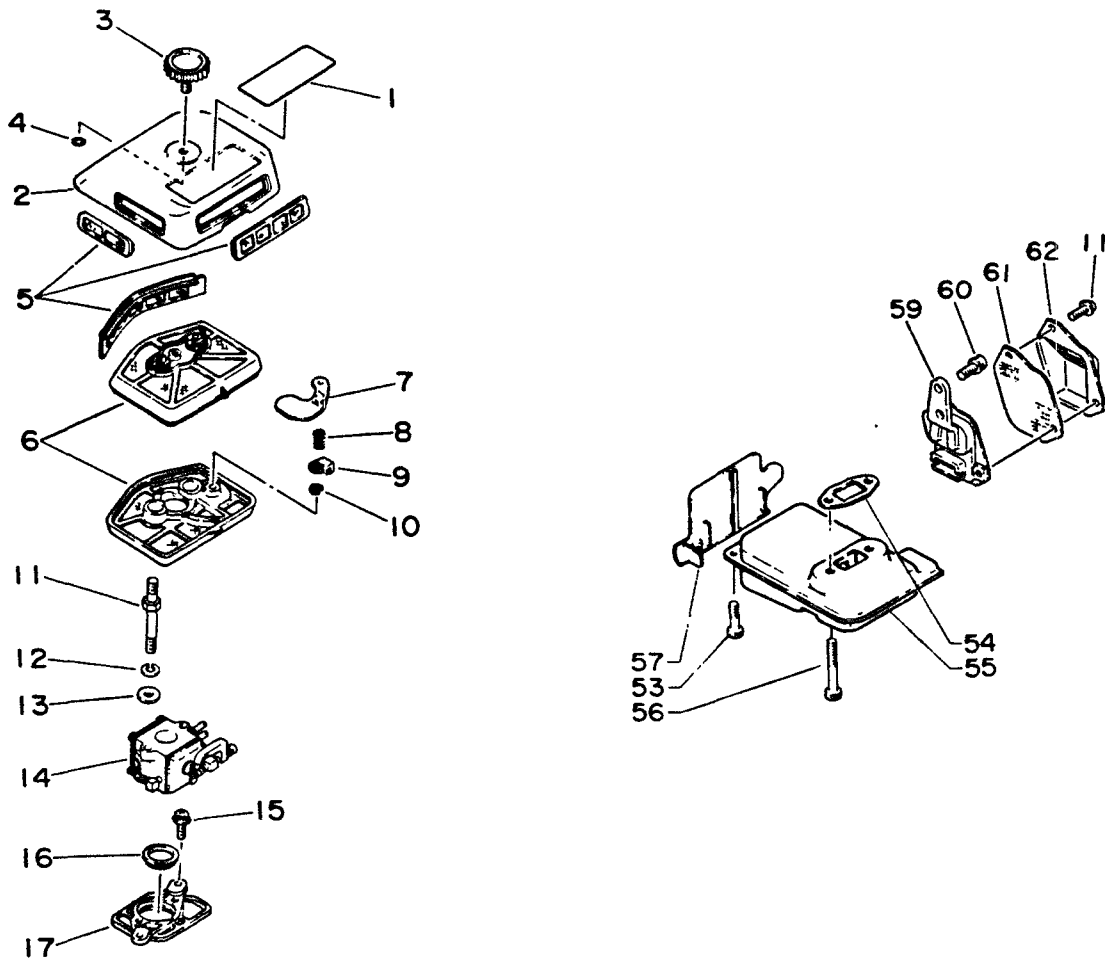
CS-440EVL 1



Key No.	Part number	Q'ty	Description	Key No.	Part number	Q'ty	Description
1-23	100 212-1123 0	1	Oilseal	1-43	900 241-0501 0	2	Screw 5x10
24	100 200-1453 3	1	Crankcase set	44	130 508-1633 0	1	Adapter, intake
25	-100 215-0393 0	2	Pin, dowel	45	130 010-1233 0	1	Gasket, carburetor
26	130 110-1453 0	1	Pipe, impulse	46	101 514-1453 0	1	Cover, cylinder
27	900 810-0620 2	2	Bearing, ball 6202	47	900 602-0000 4	2	Washer 4
(A) 28	100 104-1783 0	1	Crankshaft ass'y	48	900 605-0000 4	2	Washer, spring 4
29	900 702-0003 5	1	Circlip 35	49	900 220-0401 2	2	Screw 4x12
30	884 000-1453 0	1	Gasket, crankcase	53	900 162-0502 0	4	Bolt, H. S 5x20
31	100 213-0283 0	1	Oilseal	66	900 162-0503 0	6	Bolt, H. S. 5x30
32	100 142-1233 0	1	Key, woodruff	77	433 011-1453 0	2	Stud, guide bar
33	900 106-0501 2	2	Bolt, H. S. 5 x 12	86	433 028-1103 0	1	Clip
34	880 210-1433 0	1	Spike	87	433 016-1103 1	1	Screw, tensioner
35	433 020-0083 0	2	Locknut 5	88	433 014-0393 2	1	Tensioner
36	100 012-1233 0	1	Bearing, needle				
37	100 010 1753 0	1	Piston				
38	100 013-0573 1	1	Pin, piston				
39	100 015-0012 0	2	Circlip, piston pin				
40	100 011-1233 0	2	Ring, piston				
41	101 010-1633 0	1	Gasket, cyl. Base				
42	101 011-1633 0	1	Cylinder				

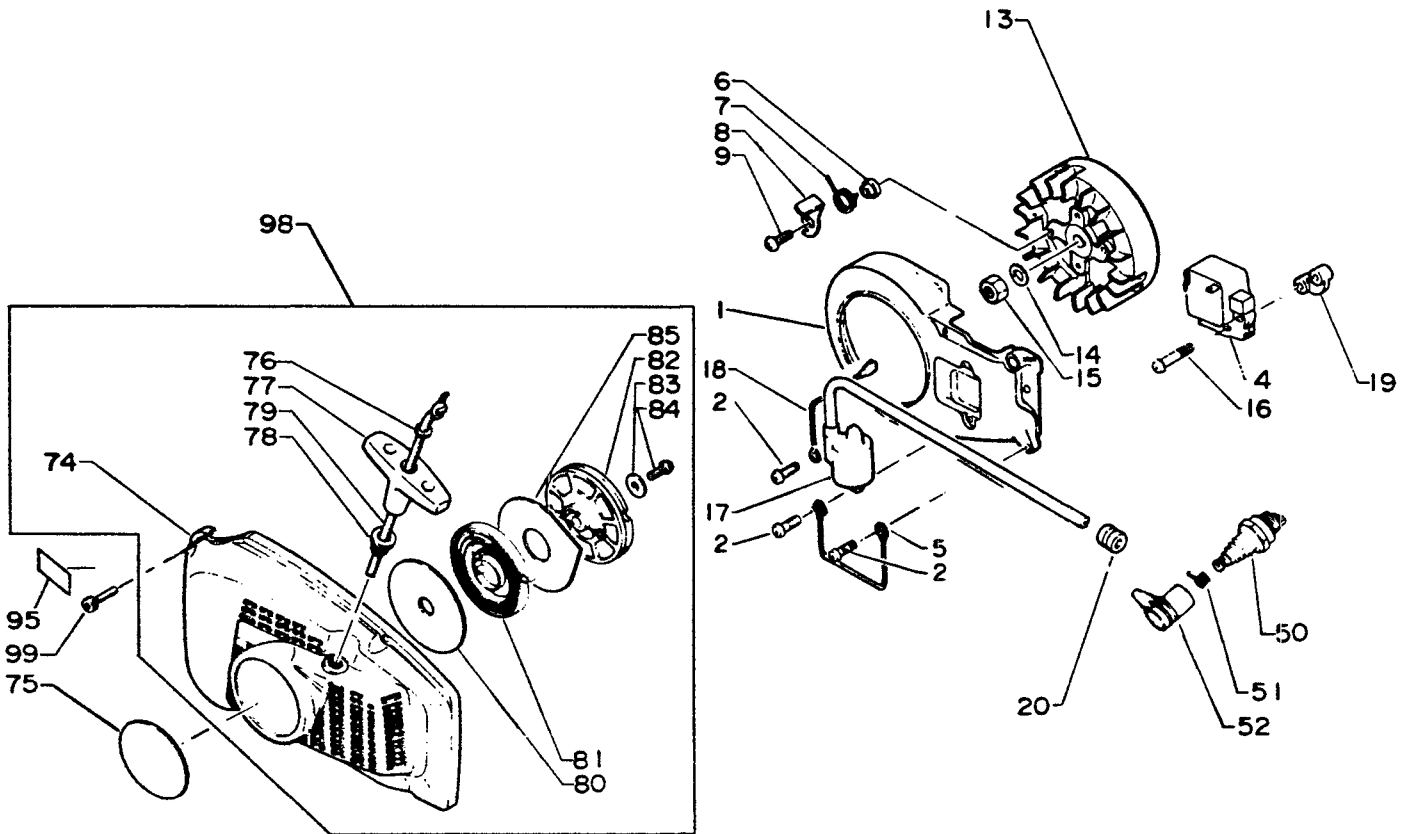
(A) See bulletin 85-025

CS-440EVL 2



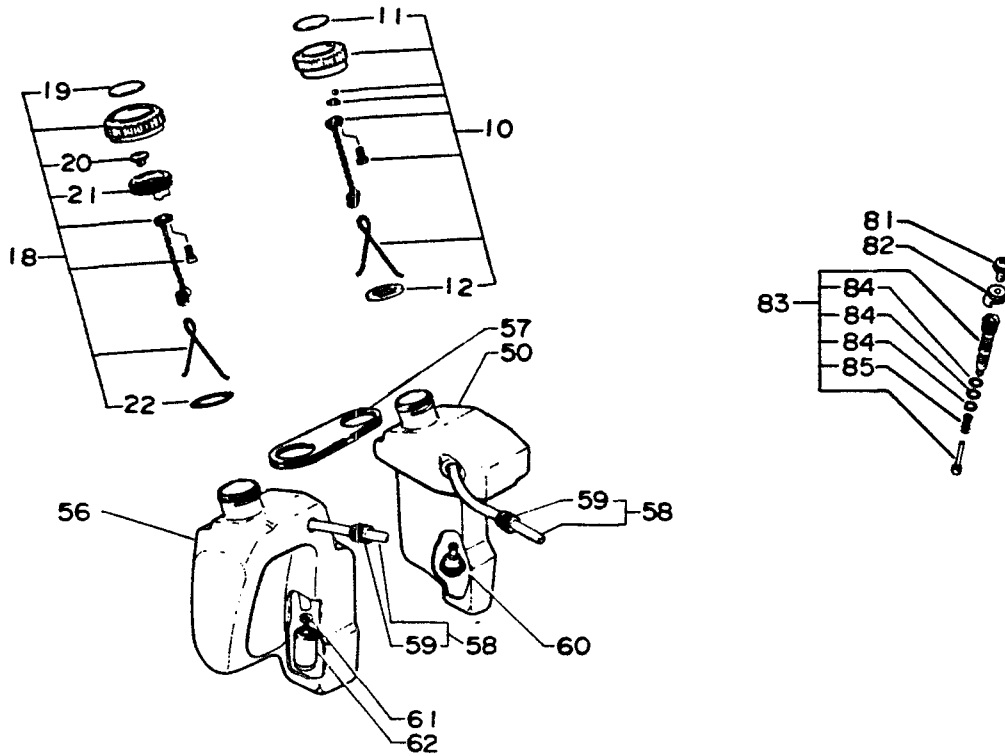
Key No.	Part number	Q'ty	Description	Key No.	Part number	Q'ty	Description
2- 1	890 151-1783 1	1	Label, model	2-16	130 511-1233 0	1	Holder, intake adap
2	130 813-1453 0	1	Cover, air cleaner	17	130 013-1453 0	1	Adapter, carb.
3	130 406-1433 0	1	Bolt, thumb	53	900 162-0502 0	1	BolT, H.S. 5 x 20
4	900 720-0000 3	1	O-ring 3	54	145 510-1053 0	1	Gasket, muffler
5	130 811-1453 0	1	Screen kit, dust	55	145 610-1633 0	1	Muffler
6	130 801-1453 0	1	Filter, air	56	900 162-0505 0	2	Bolt, H.S. 5 x 50
7	178 515-1453 0	1	Shutter, choke	57	100 270-1453 0	1	Insulator
8	178 520-1453 0	1	Coil spring	59	145 806-1453 0	1	Adapter
9	178 517-1453 0	1	Lever, choke	60	900 106-0501 2	2	H.S.H. bolt 5x12
10	900 700-0000 3	1	Circlip	61	145 862-1463 0	1	Screen
11	130 021-1453 0	2	Stud	62	145 863-1783 0	1	Holder, screen
12	900 605-0000 5	2	Lock washer				
13	100 247-0283 0	2	Washer				
14	123 000-1633 0	1	Carburetor				
15	900 242-0401 2	2	Screw 4x12				

CS-440EVL 3



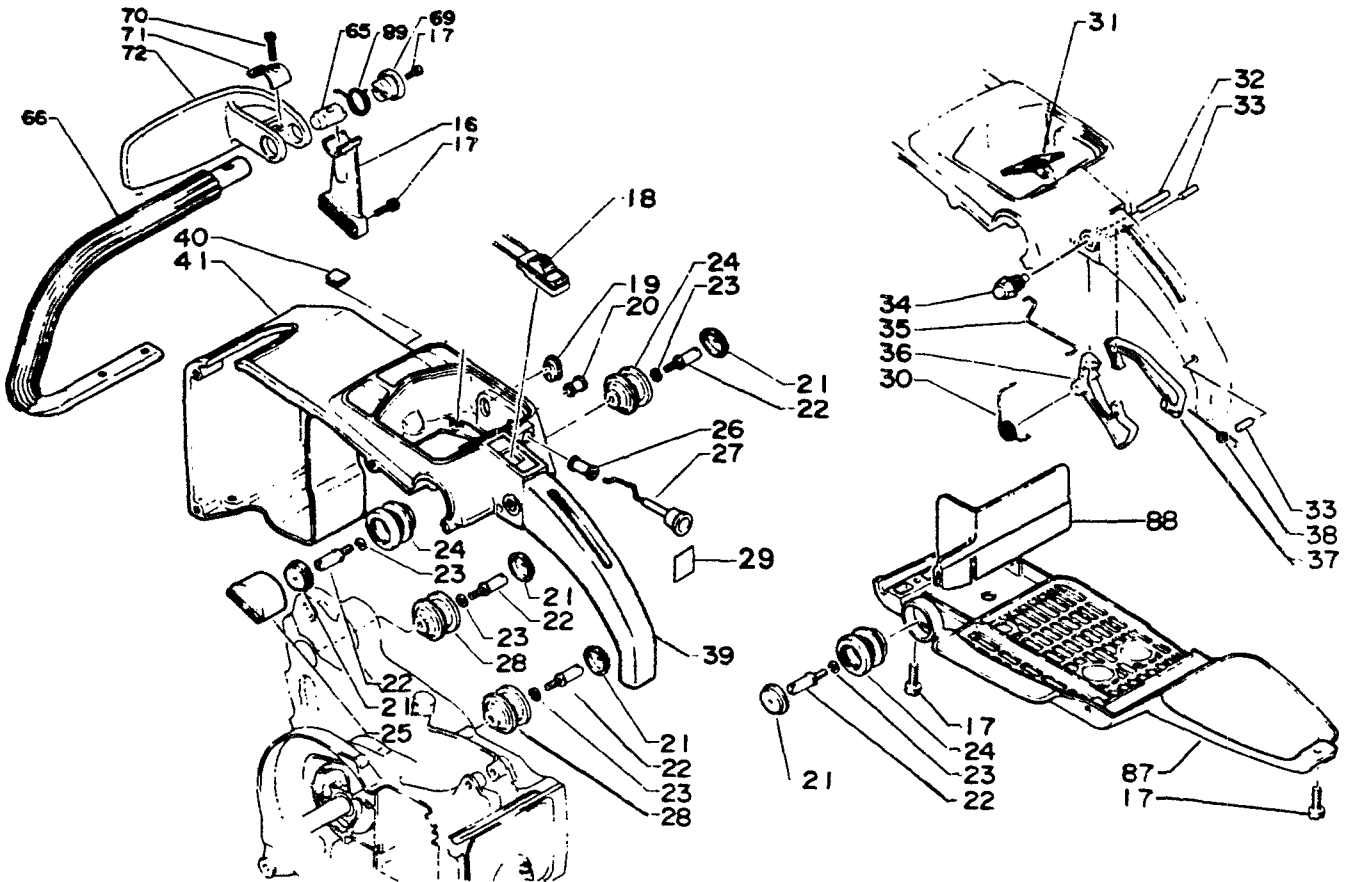
Key No.	Part number	Q'ty	Description	Key No.	Part number	Q'ty	Description
3- 1	101 585-1453 0	1	Cover, fan (Inner)	3-95	890 176-1303 1	1	Decal, noise
2	900 242-0401 6	6	Screw 4x16	98	177 200-1453 1	1	Starter ass'y
4	156 601-1453 0	1	Module, C.D.I	74	-101 507-1453 0	1	Cover, fan
5	156 635-1523 0	1	Lead, Ground	76	-177 229-1433 0	1	Washer
6	177 247-0393 2	2	Spacer, ratchet	77	-177 228-1233 0	1	Grip, starter
7	177 234-1453 0	2	Spring, return	78	-177 227-0023 0	1	Guide, rope
8	177 218-1453 0	2	Pawl, starter	79	-177 226-0393 0	1	Rope, starter
9	177 217-1453 0	2	Screw, pawl	80	-177 221-0393 0	1	Plate, starter
13	156 801-1453 0	1	Flywheel	81	-177 220-0393 0	1	Spring, rewind
14	900 611-0000 8	1	Lockwasher 8	82	-177 215-1453 1	1	Drum, starter
15	900 500-0000 8	1	Nut 8	83	-177 214-0283 0	1	Washer
16	900 162-0502 8	2	Bolt. H.S. 5x28	84	-900 241-0501 0	1	Screw 5x10
17	156 626-1523 0	1	Coil, ignition	85	-177 242-0393 0	1	Plate, starter
18	156 630-1523 0	1	Lead	99	900 162-0502 0	4	Bolt, H.S. 5x20
19	156 117-1453 0	1	Spacer				
20	132 115-1233 0	1	Grommet				
50	159 010-1063 0	1	Plug, spark BPM-7A				
51	159 011-0343 2	1	Coil, plug cap				
52	159 012-0343 3	1	Cap, spark plug				
75	890 112-1783 1	1	Label, ECHO				

CS-440EVL 4



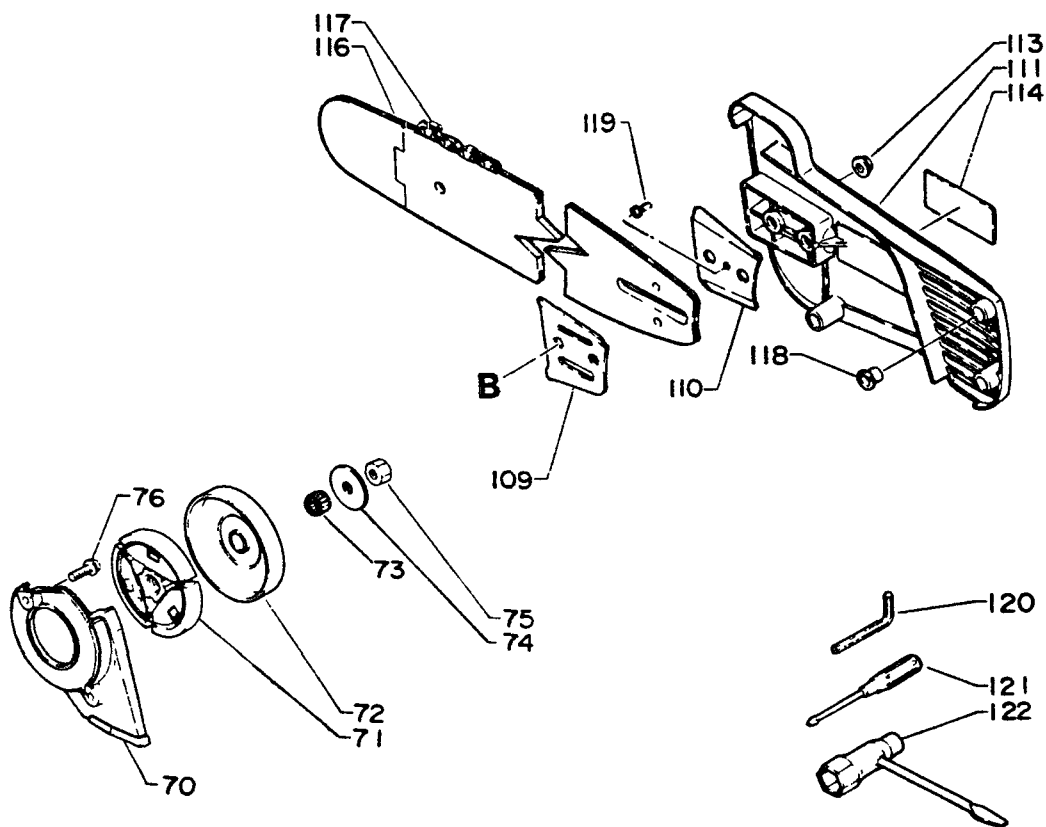
Key No.	Patr number	Q'ty	Description	Key No.	Part number	Q'ty	Description
4-10	436 002-1453 0	1	Cap ass'y, oil	4-62	131 205-0083 0	1	Strainer, fuel
11	-890 153-1143 0	1	Label, oil	81	900 220-0501 0	1	Screw 5 x10
12	-436 012-1233 0	1	Gasket, cap	82	437 059-1113 3	1	Lockwasher
18	131 600-1453 1	1	Cap ass'y, fuel tank	83	437 000-0343 0	1	Auto-oiler ass'y
19	-890 154-1513 0	1	Label, fuel mix	84	-437 020-0283 0	3	O-Ring (S-5)
20	-131 314-0033 0	1	Valve, check	85	-437 019-0283 0	1	Spring, oiler
21	-131 015-1453 1	1	Holder, check valve				
22	-900 720-0002 2	1	O-Ring 22				
50	436 010-1453 0	1	Tank, oil				
56	131 010-1633 0	1	Tank, fuel				
57	131 038-1233 1	1	Connector				
58	132 007-1453 0	2	Pipe w/grommet				
59	-132 115-1233 0	2	Grommet				
60	436 205-1473 0	1	Strainer, oil				
61	900 603-0000 5	1	Washer 5				

CS-440EVL 5



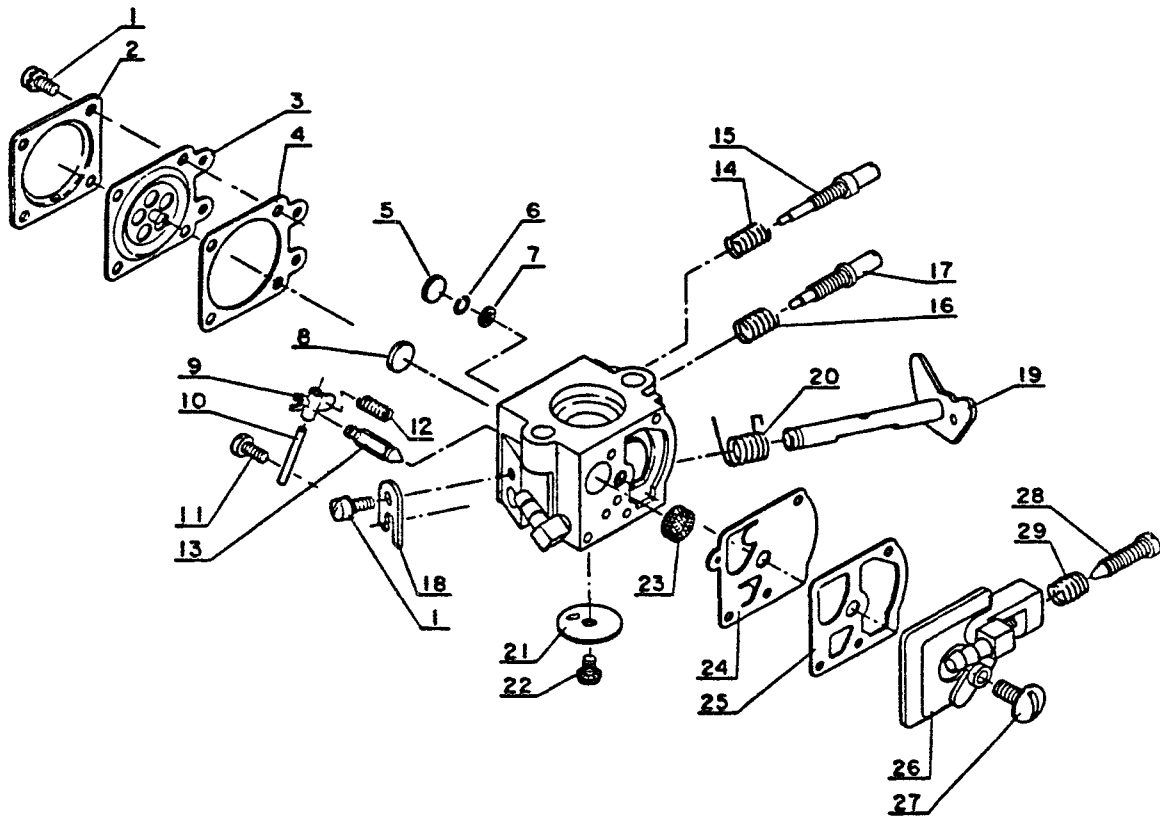
Key No.	Part number	Q'ty	Description	Key No.	Part number	Q'ty	Description
5-16	351 614-1453 0	1	Bracket, f. Hndl.	5-36	178 010-1453 0	1	Control, throttle
17	900 162-0502 0	5	Bolt, H.S. 5x20	37	178 090-1233 0	1	Lockout, t. Control
18	163 400-1523 0	1	Switch, ignition	38	178 091-1053 1	1	Spring, thr. Lockout
19	129 010-0393 0	1	Grommet	39	351 111-1233 0	1	Grip, rear handle
20	129 023-1453 0	1	Grommet	40	351 137-1233 0	1	Stopper, cushion
21	100 918-1433 0	5	Cap, cushion	41	351 110-1453 0	1	Handle, rear
22	100 915-1433 2	5	Screw	66	351 205-1453 0	1	Handle, front
23	900 605-0000 5	5	Washer, spring 5	65	-351 617-1053 1	1	Insert
24	100 910-1253 0	3	Cushion	69	351 833-1373 0	1	Plate, hand guard
25	351 138-1433 2	1	Cover, cushion	70	900 162-0503 0	1	Bolt, H.S. 5x30
26	178 810-1453 0	1	Bushing	71	351 840-1453 0	1	Stopper
27	178 521-1453 0	1	Rod, choke	72	351 826-1373 0	1	Guard, hand
28	100 917-1453 0	2	Cushion	73	100 612-1233 2	1	Cover
29	890 121-1233 1	1	Label, choke	87	351 123-1633 1	1	Supporter, bottom
30	178 043-1513 0	1	Spring, thr. Return	88	351 147-1633 0	1	Insulator
31	178 210-1453 0	1	Grommet	89	351 836-1513 0	1	Spring, guard
32	900 340-5002 5	1	Pin, spring 5x25				
33	900 340-4001 3	2	Pin, spring 4x13				
34	178 302-1233 0	1	Latch, throttle				
35	178 011-1453 0	1	Rod, throttle				

CS-440EVL 6



Key No.	Part number	Q'ty	Description	Key No.	Part number	Q'ty	Description
6- 70	175 310-1453 0	1	Plate	6-113	433 019-0393 2	2	Nut, flange 6
71	175 000-1453 0	1	Clutch ass'y	114	890 118-1833 1	1	Label, echo
72	175 105-1463 0	1	Drum, clutch	116		1	Bar, guide
73	100 113-0463 0	1	Bearing, needle	117		1	Chain, saw
74	175 015-0343 0	1	Washer, clutch	118	433 030-1463 0	2	Pin, dowel
75	100 129-0343 0	1	Nut 8 (L-H)	119	900 241-0300 6	1	Screw 3 x 6
76	900 242-0501 6	2	Screw 5 x 16	120	895 610-0013 0	1	L-Wrench (4mm)
109	433 013-1453 0	1	Plate, guide (Inner)	121	895 812-0393 0	1	Driver, screw 50
110	433 012-1453 1	1	Plate, guide (Outer)	122	895 410-0393 0	1	Wrench, w's Driver
111	433 010-1463 2	1	Guard, sprocket				

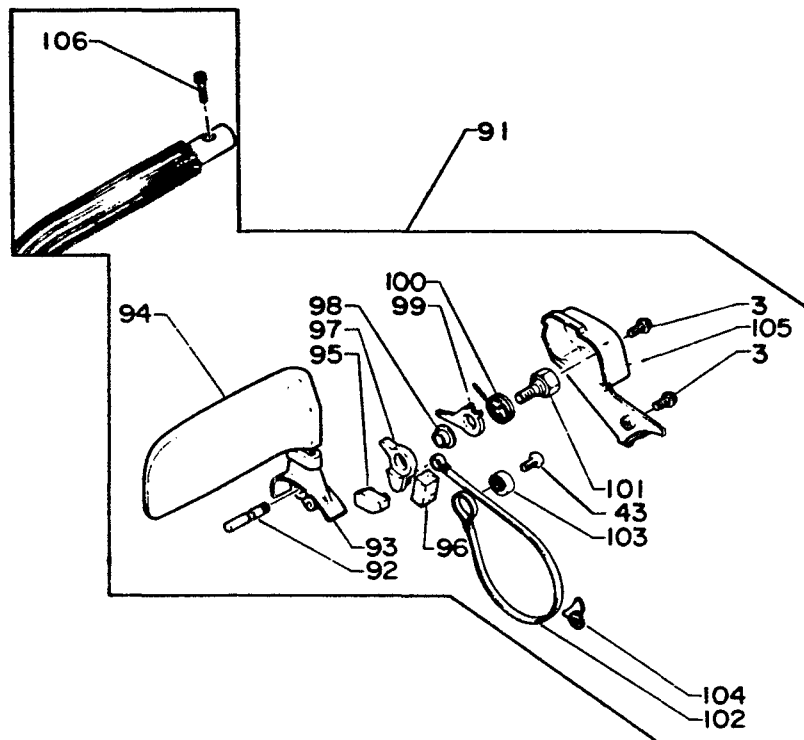
CS-440EVL 7



Key No.	Part number	Q'ty	Description	Key No.	Part number	Q'ty	Description
7-	123 000-1633 0	1	Carburetor (WA-133)	7-15	-123 120-1453 0	1	Needle, high speed
1	-123 144-0393 0	1	Screw	16	-123 121-0393 0	1	Spring, needle
2	-123 142-0393 0	1	Cover, m Diaphragm	17	-123 118-1633 0	1	Needle, idle
3	-123 141-0393 0	1	Diaphragm, metering	18	-123 127-0393 0	1	Clip, throttle shaft
4	-123 140-0393 0	1	Gasket, m. Diaphragm	19	-123 117-1453 0	1	Shaft, throttle
5	-123 145-1633 0	1	Plug, welch	20	-123 113-0393 0	1	Sppng, thrt. Return
6	-123 169-1063 0	1	Ring, retaining	21	-123 116-1053 0	1	Valve, throttle
7	-123 168-1063 1	1	Screen	22	-123 114-0393 0	1	Screw, thrt. Valve
8	-123 146-1063 0	1	Plug, weich	23	-123 126-1063 1	1	Screen, inlet
9	-123 123-0393 0	1	Lever, metering	24	-123 112-1503 0	1	Diaphragm, fuel pump
10	-123 138-0393 0	1	Pin, metering lever	25	-123 125-1503 0	1	Gasket, fuel pump
11	-123 139-0393 0	1	Screw, m. Lever pin	26	-123 124-1633 0	1	Cover, fuel pump
12	-123 122-1113 0	1	Spring, meter. Lever	27	-123 110-0393 0	1	Screw, pump cover
13	-123 137-0393 0	1	Valve, inlet needle	28	-123 134-1113 0	1	Screw, idle adjust
14	-123 119-0393 0	1	Spring, needle	29	-123 133-1113 0	1	Spring, idle adjust

Part Number	Description	Key No.
123 103-1503 0	Kit, gasket/diaphragm	3. 4. 24. 25
123 102-1633 0	Kit, kwik repair	3. 4. 9~13. 22~25

CS-440EVLP (Chain brake type)



Key No.	Part number	Q'ty	Description	Key No.	Part number	Q'ty	Description
91	433 100-1453 0	1	Brake ass'y, chain	99	-433 119-1233 0	1	Stopper
3	-900 242-0401 2	2	Screw 4 x 12	100	-433 114-1233 0	1	Spring, return
43	-900 241-0501 0	1	Screw 5 x 10	101	-433 134-1233 0	1	Bolt
92	-433 113-1233 0	1	Screw	102	-433 123-1463 0	1	Band, brake
93	-433 312-1233 0	1	Cover, seal	103	-433 142-1233 0	1	Adjuster
94	-433 105-1453 0	1	Lever, brake	104	-433 144-1433 0	1	Retainer
95	-433 149-1463 0	1	Reset, brake	105	-433 310-1463 0	1	Cover
96	-433 313-1233 0	1	Seal	106	-900 162-0502 5	1	Bolt, H.S. 5 x 25
97	-433 117-1233 0	1	Connector				
98	-433 115-1233 0	1	Spacer				

Free Manuals Download Website

<http://myh66.com>

<http://usermanuals.us>

<http://www.somanuals.com>

<http://www.4manuals.cc>

<http://www.manual-lib.com>

<http://www.404manual.com>

<http://www.luxmanual.com>

<http://aubethermostatmanual.com>

Golf course search by state

<http://golfingnear.com>

Email search by domain

<http://emailbydomain.com>

Auto manuals search

<http://auto.somanuals.com>

TV manuals search

<http://tv.somanuals.com>