

# INSTALLATION AND USE

## KICK

## GUARD



### **WARNING**

Read Rules for Safe Operation  
and Installation Carefully

Prevents Rotational Chain Saw Kickbacks when Properly Installed.

**X7503202102**

**89857015133**  
**10/03**

---

## 2 Contents

---

	Page
Introduction/Safety .....	2
Installing Kick Guard .....	3
Operating Saw With Kick Guard Installed .....	4
Operating Saw Without Kick Guard .....	6
Technical Data .....	7

---

## Introduction/Safety

---

**IMPORTANT:** This is a supplement to the Instruction Manual. For additional operating information, read your Chain Saw Instruction Manual.



This safety alert symbol identifies important safety messages in this Instruction Manual Supplement and on your chain saw. When you see this symbol, be alert to the possibility of personal injury and carefully read the message that follows.



### WARNING

Follow Kick Guard Technical Data Reference for correct kick guard and guide bar combination. An incorrect combination can cause bar and chain damage and may result in serious personal injury.



### WARNING

Always wear hand protection when handling saw chain. Never install or adjust guide bar, chain or kick guard while chain saw is running. Serious injury can result.

---

## THE KICK GUARD KICKBACK PREVENTION DEVICE ON YOUR SAW DOES THESE THINGS FOR YOU.

---

**PREVENTS ROTATIONAL KICKBACK WHEN PROPERLY INSTALLED.** The Kick Guard covers the nose area of the bar and chain where the kickback reaction is generated. Eliminating chain contact in this area prevents rotational kickback.

**LETS YOU USE THE SAW IN TIGHT SITUATIONS WHERE YOU CAN NOT AVOID OBSTRUCTIONS WITH A BARE-NOSED BAR.** Can prevent accidental scarring of shade trees when pruning branches close to trunk.

**HELPS TO PREVENT ACCIDENTAL DULLING OF CHAIN BY KEEPING NOSE CLEAR OF ABRASIVE OBSTRUCTIONS.**

**HELPS YOU AVOID ACCIDENTAL CONTACT OF CHAIN (AT BAR NOSE) WITH THE GROUND, OR OBSTRUCTIONS SUCH AS OTHER TREES, STONES OR MASONRY WALLS.** The Kick Guard can be used as a bumper plate against the obstructions during cutting.

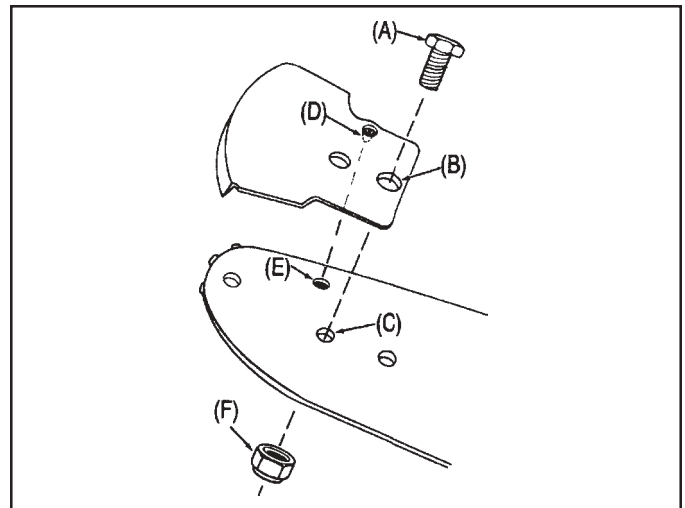
**SPEEDS UP BRUSH CUTTING AND CLEARING OUT OPERATIONS.** Operation in a semi-scything action is limited only to maintenance of control-lability over *push* and *pull* reaction forces.

Tools Needed: Two (2) 11 mm (7/16 in.) Wrenches

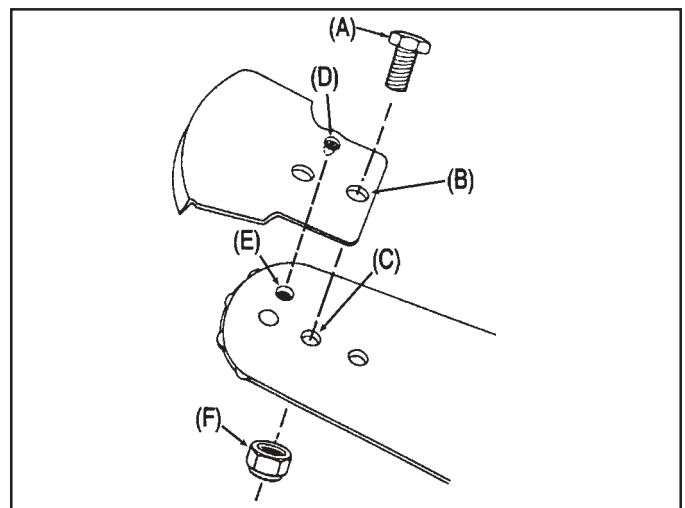
**For saws with Kick Guard P/N 28949 and symmetrical or asymmetrical low-kick type guide bars.**

1. Install bolt (A) in **rear** hole (B) of Kick Guard and through front hole (C) in guide bar.
2. **IMPORTANT:** Dimple in Kick Guard (D) must engage recess in guide bar (E).
3. Tighten nut (F) and bolt (A) until snug. Make certain Kick Guard is flush against guide bar.
4. Tighten nut (F) 1/8 additional turn.
5. Check to make certain Kick Guard is tight on guide bar.

### ASYMMETRICAL



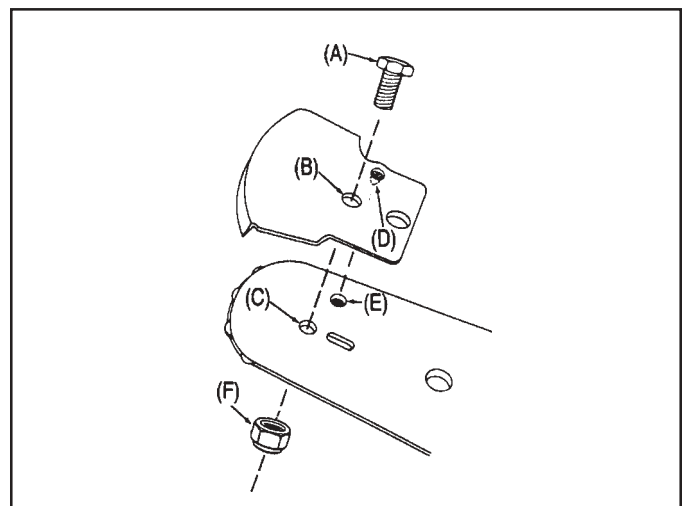
### SYMMETRICAL



**For saws with Kick Guard P/N 28932 and symmetrical low-kick type guide bars.**

1. Install bolt (A) in **front** hole (B) of Kick Guard and through front hole (C) in guide bar.
2. **IMPORTANT:** Dimple in Kick Guard (D) must engage recess in guide bar (E).
3. Tighten nut (F) and bolt (A) until snug. Make certain Kick Guard is flush against guide bar.
4. Tighten nut (F) 1/8 additional turn.
5. Check to make certain Kick Guard is tight on guide bar.

### SYMMETRICAL



# 4 Operating Saw With Kick Guard Installed

**CAUTION:** The Kick Guard protects against kickback but is not a general insurance against “accidents” with a chain saw. Therefore, wear proper attire and protective articles. Practice correct positioning of the saw, correct posture and stance, and use the proper grip on the saw handles at all times. These things are covered in your Instruction Manual.

1. Because the Kick Guard is wider than the saw chain and cannot go *into* or be pulled *through* a cut, it will obstruct cutting unless it clears the wood completely. Figure 2 illustrates the maximum diameter of wood which can be cut when the Kick Guard is on the saw. Always check that there is enough clearance. If in doubt that there is enough clearance remove the Kick Guard before making the cut.

**DANGER:** Refer to Operating the Saw Without Kick Guard installed on page 6 and your Instruction Manual BEFORE removing Kick Guard.

2. There are situations where you may not wish to use the Kick Guard. These include any time a wedge has to be used to control the fall or hold open the cut, and any situations where the nose of the saw must be used for cutting, or the blade pulled through after completion of the cut.

**DANGER:** During felling, if a tree starts to fall causing your saw to bind, leave the saw and save yourself. The saw can be replaced – you cannot!

3. Refer to Figures 3, 4 and 5. Each shows a “tight situation” cut which is hazardous to make without a Kick Guard. These techniques of cutting in close quarters can be applied to situations encountered when bucking or limbing as well as when felling.

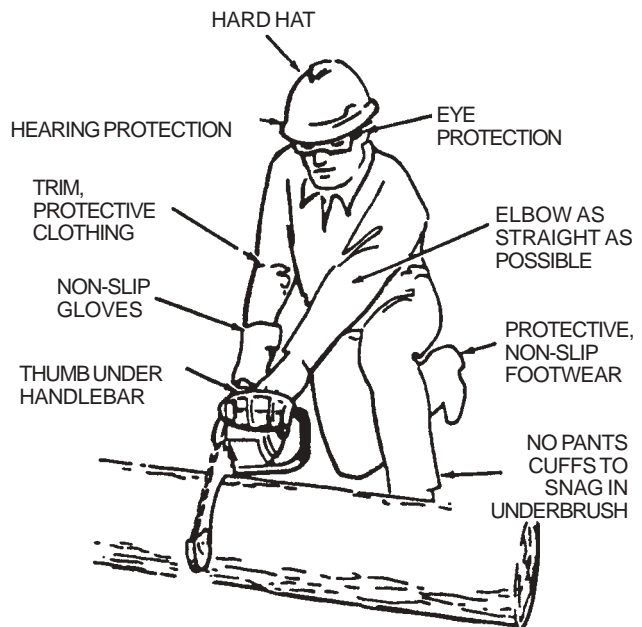


Fig. 1 - Correct Protective Articles, Grip, and Positioning

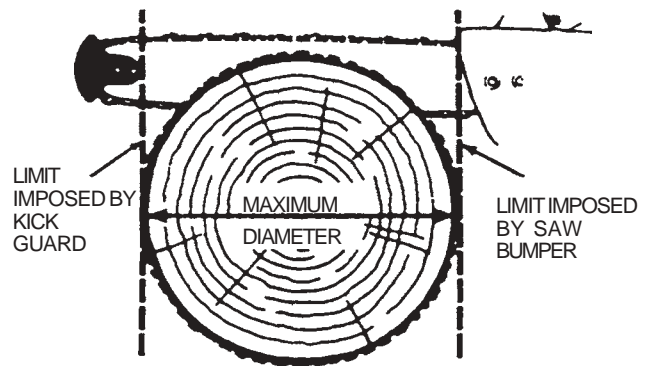


Fig. 2 - Maximum Diameter of Cut with Kick Guard Installed

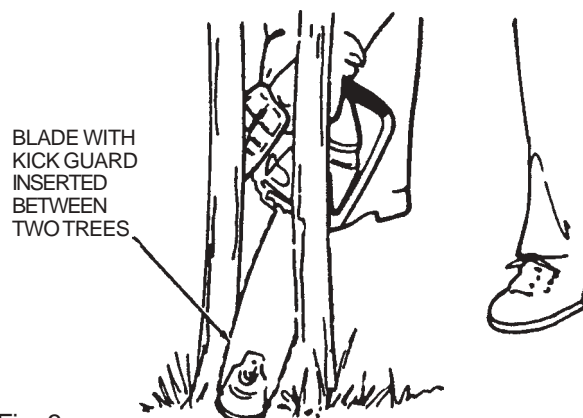


Fig. 3

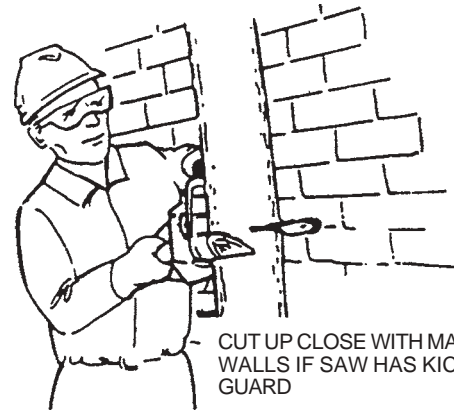


Fig. 4

CUT UP CLOSE WITH MASONRY WALLS IF SAW HAS KICK GUARD

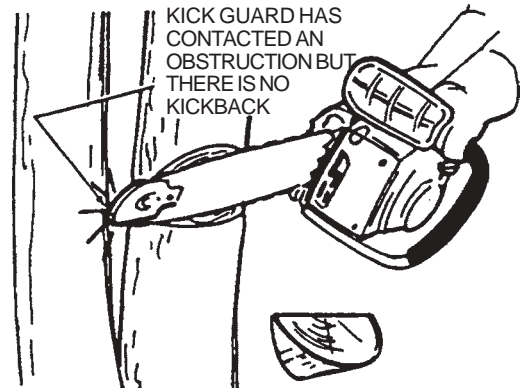


Fig. 5

KICK GUARD HAS CONTACTED AN OBSTRUCTION BUT THERE IS NO KICKBACK

- 4. When cutting piled up brush, don't stick the saw blade into the pile unless it has a Kick Guard. (See Fig. 6.)



Fig. 6

- 5. Reaching above chest height to cut is extremely hazardous. Even with a Kick Guard you must maintain good position of your feet so as to keep your balance. Twisting and falling limbs are a hazard which you must always watch out for. (See Fig. 7.)

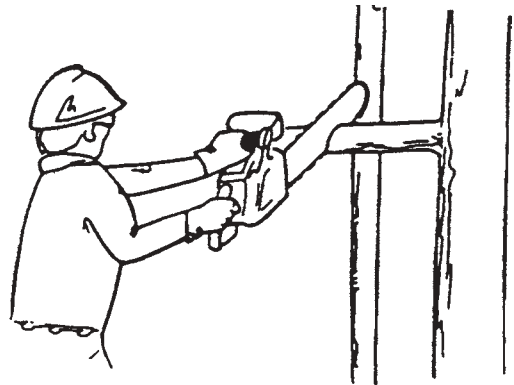


Fig. 7

# 6 Operating Saw Without Kick Guard

**⚠ Danger:** Beware of the danger of kickback! The Kick Guard must be removed for any operation requiring use of the nose section for cutting, or for drawing the nose through a cut. Read your Instruction Manual before operating saw without Kick Guard.

Check out your technique for cutting with an unguarded guide bar nose, because you cannot do safely without the Kick Guard what you can do with it. The rules for cutting without a Kick Guard are as follows:

1. Maintain proper stance and grip. (See Figure 9.)
2. Keep your body to the *left* of the guide bar. (See Figure 9.)
3. Avoid letting the nose of the saw dip into the ground or touch obstructions.
4. When necessary to bore with the saw tip, you are most vulnerable to kickback. Begin at full throttle, making first contact at the bottom quadrant of the nose section, or further back on the straight portion if there is room.
5. In the small percentage of cases where it is absolutely necessary to bore with the upper section of the nose, it is best to let a trained tree expert do the job. If you are an experienced operator, angle the saw blade to be sure that no part of your body is in the same plane of chain rotation.
6. Limit your cutting to the range within which you can control the saw fully. Don't reach way out so as to lose your balance. Don't make any cut above shoulder height, because you cannot control the saw well when held higher than this.
7. Making limbing or pruning cuts one at a time. The tree shearing or electric razor technique of de-branching (limbing felled trees) should not be practiced without the Kick Guard because you can too easily hit an obstruction which will cause kickback. Whenever possible, stand on the opposite side of the tree from the branches being cut, so that the tree offers a barrier between you, the saw, and the branches.

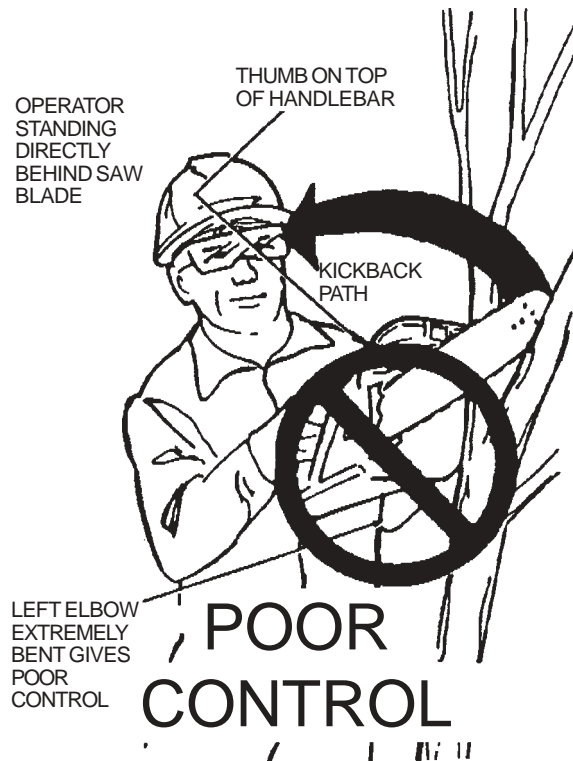


Fig. 8

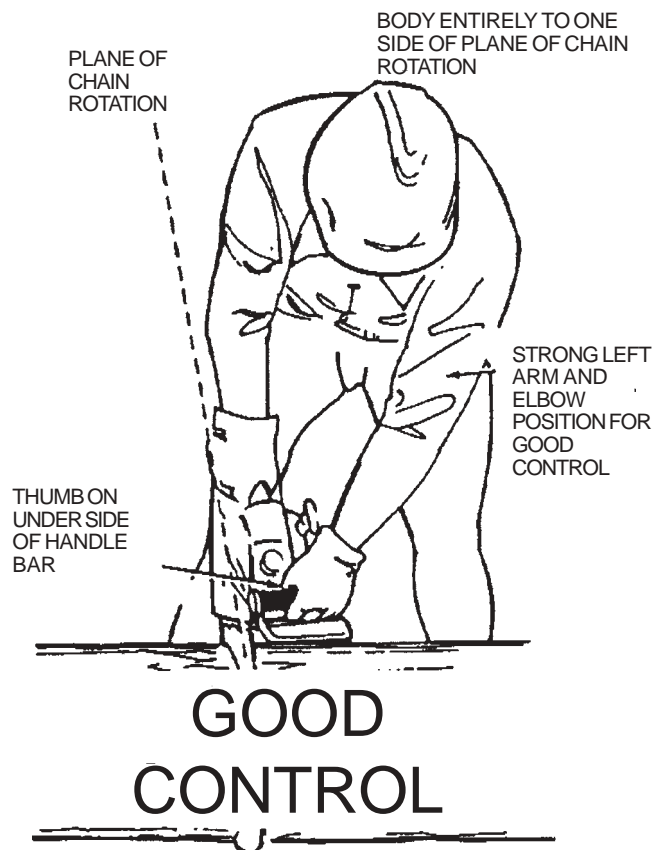


Fig. 9

These guide bar and chain combinations are certified in accordance with ANSI B175.1-2000 and CSA Z62.3 standards.

MODEL	BAR LENGTH	DOUBLE GUARD BAR	SAW CHAIN					KICK GUARD
		ECHO P/N (OEM P/N)	ECHO PART NO.	LINKS	TYPE	PITCH	GAUGE	ECHO PART NO.
CS-305 CS-306	12"	124374501/ (12A4CD3745)	1907045	45	90SG		.043	
	14"	144375201/ (14A4CD3752)	1907052	52				
CS-300 CS-301 CS-340 CS-341 CS-345 CS-346 CS-3000 CS-3400 CS-3450	12"	120374501	917045	45	91VG	3/8"		28949
	14"	140375201	917052	52				
	16"	160375701	917057	57				
	12" Intenz™	122374501	917045	45				
	14" Intenz™	142375201	917052	52				
	16" Intenz™	162375701	917057	57				
CS-440 CS-4400 CS-5000 CS-510 CS-520	16"	160336601	333066	66	33SL	.325"	.050	
	18"	180337201	333072	72				
	20"	200337801	333078	78				
CS-670 CS-6700	16"	160386001	727060	60				28932
	20"	200387001	727070	70				
	24"	240388101	727081	81				
	27"	270389301	727093	93				
CS-8000 (P)	20"	200387001	727070	70	72LG	3/8"		
	24"	240388101	727081	81				
	27"	270389301	727093	93				
	32"	320380501	7270105	105				
	36"	360381601	7270116	116				

### IMPORTANT

If your kick guard is damaged or lost, contact your Echo dealer for a replacement. For the name of the Echo dealer nearest you, Call: 1-800-432-ECHO (3246) or on the web at [www.echo-usa.com](http://www.echo-usa.com).

Refer to your Chain Saw Safety Manual for kick guard application information.

### ECHO CONSUMER PRODUCT SUPPORT

If you require assistance or have questions concerning the application, operation or maintenance of this product you may call the ECHO Consumer Product Support Department at 1-800-673-1558 from 8:30 am to 4:30 pm (Central Standard Time) Monday through Friday. Before calling, please know the model and serial number of your unit to help your Consumer Product Support Representative.

 **KIORITZ CORPORATION**



**ECHO, INCORPORATED**  
**400 Oakwood Road**  
**Lake Zurich, IL 60047 U.S.A.**  
**[www.echo-usa.com](http://www.echo-usa.com)**



## Free Manuals Download Website

<http://myh66.com>

<http://usermanuals.us>

<http://www.somanuals.com>

<http://www.4manuals.cc>

<http://www.manual-lib.com>

<http://www.404manual.com>

<http://www.luxmanual.com>

<http://aubethermostatmanual.com>

Golf course search by state

<http://golfingnear.com>

Email search by domain

<http://emailbydomain.com>

Auto manuals search

<http://auto.somanuals.com>

TV manuals search

<http://tv.somanuals.com>