



PARTS CATALOG
TC-210i Tiller
Cultivator

21.2cc

SERIAL NUMBERS

S/N 09001001 - 09999999

ECHO, INCORPORATED

400 Oakwood Road Lake Zurich, Illinois 60047 USA

WWW.ECHO-USA.COM



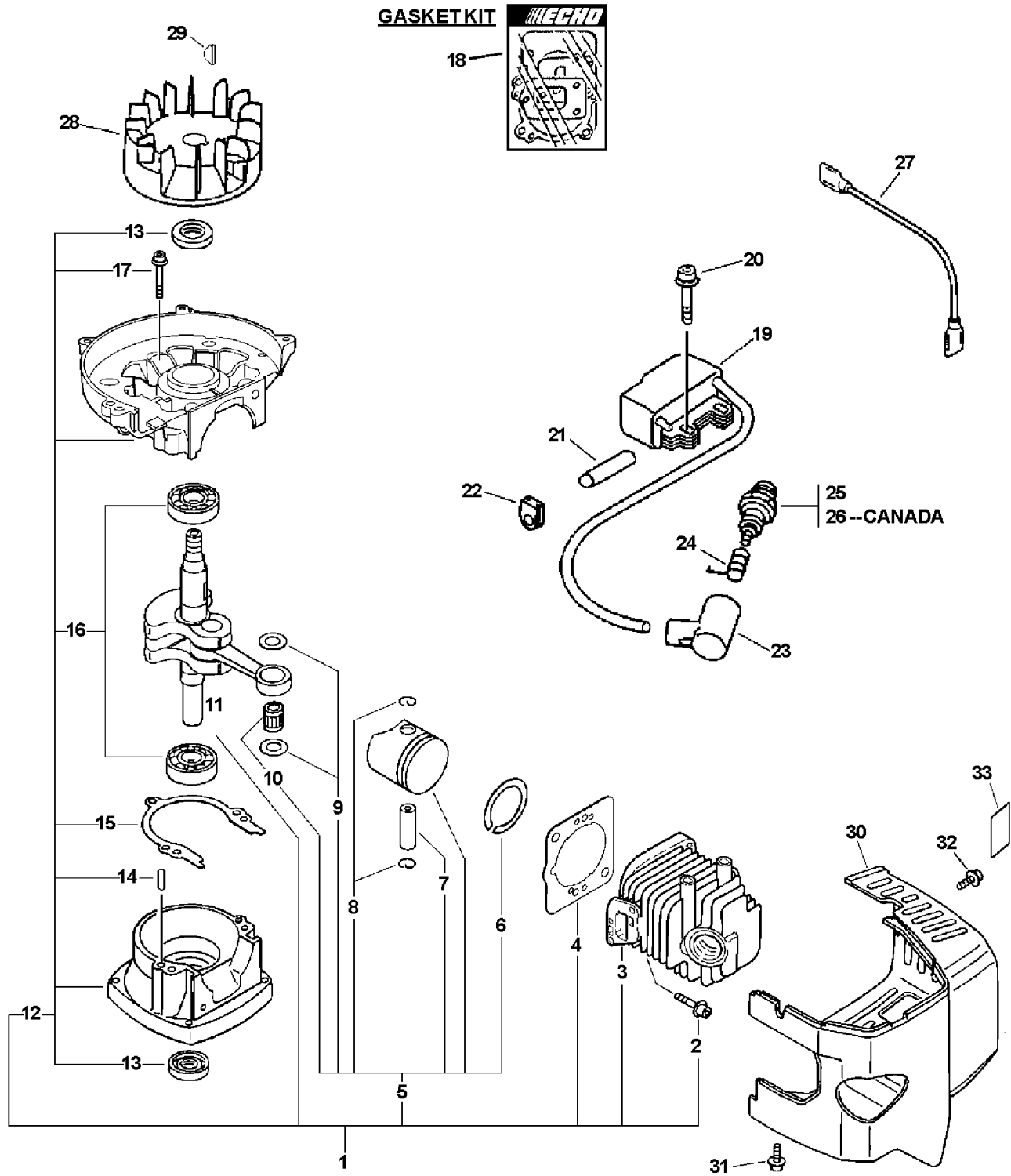
Table of Contents

Click Any Diagram Description Below To View That Diagram.

TC-210i S/N 09001001 - 09999999

Engine, Short Block, Ignition, Cylinder Cover.....	4
Fan Case, Fuel System, Clutch.....	6
Intake, Exhaust.....	8
Carburetor -- C1U-K82.....	10
Handle, Stop Switch, Throttle Cable.....	12
Part Number Index.....	15
Part Description Index.....	16

This Page Intentionally Left Blank

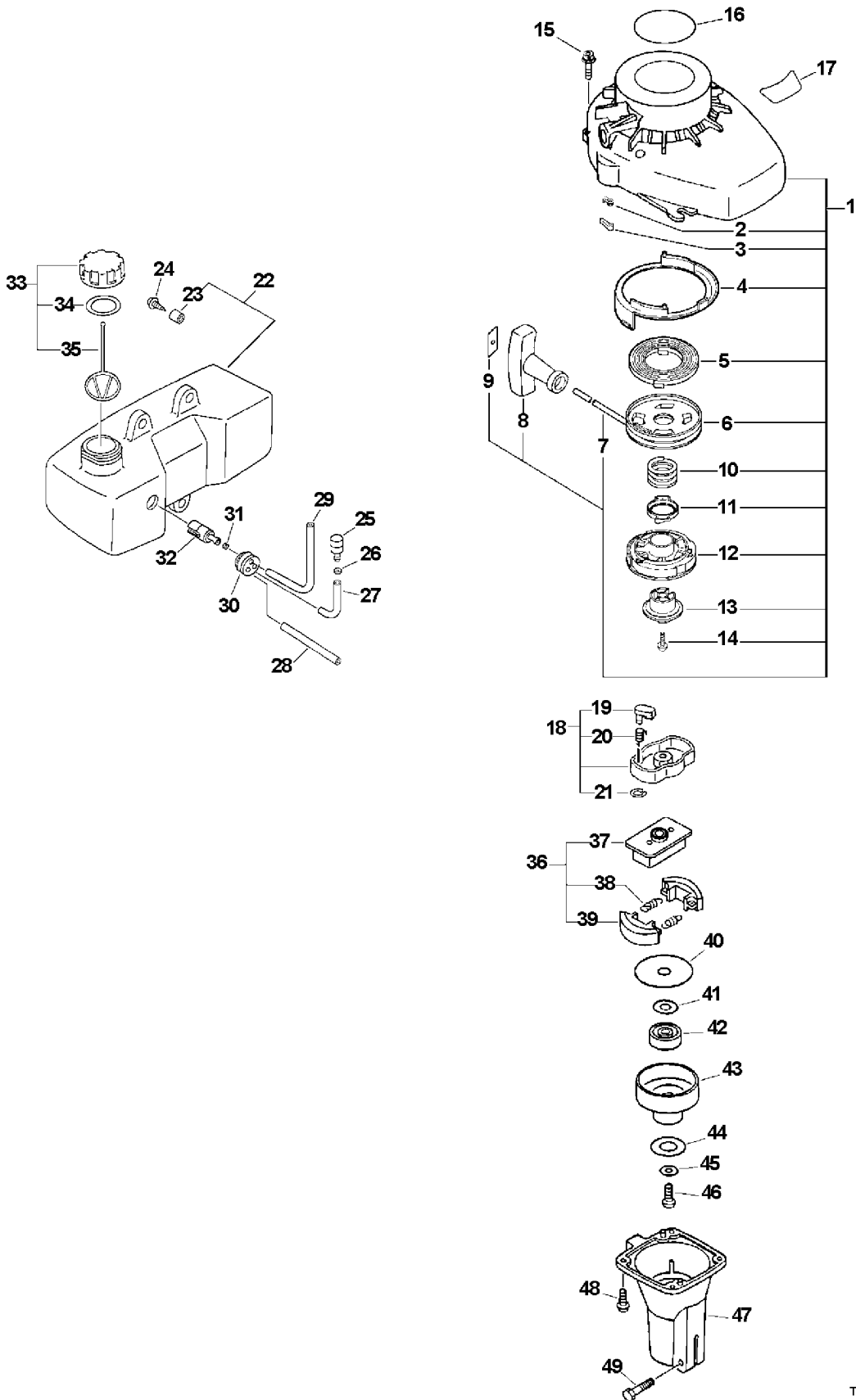


TC0002008_9_10

ITEM	PART NUMBER	QTY	DESCRIPTION	REMARKS
1	SB1087	1	SHORT BLOCK	INCLUDES ITEM 2-17
2	90016205022	2	SCREW 5X22	
3	A130000550	1	CYLINDER	
4	V100000160	1	GASKET, CYLINDER ¹	
5	P021007712	1	PISTON KIT	INCLUDES ITEMS 6-9
6	A101000090	1	RING, PISTON	
7	10001311520	1	PIN, PISTON	
8	10001504630	2	CIRCLIP, PISTON PIN	
9	10001411520	2	SPACER, PISTON PIN	
10	V553000010	1	BEARING, NEEDLE	
11	A011000390	1	CRANKSHAFT ASY	
12	10020411521	1	CRANKCASE KIT	INCLUDES ITEMS 13-17
13	10021242031	2	OIL SEAL	
14	V622000020	2	DOWEL PIN	
15	10024242030	1	GASKET, CRANKCASE ¹	
16	9403536201	2	BEARING, BALL - 6201	
17	90016205028	3	SCREW 5X28	
18	P021009110	1	GASKET KIT	
19	A411000220	1	COIL, IGNITION	
20	90016204020	2	SCREW 4X20	
21	V475002200	1	TUBE, INSULATOR	
22	15611004920	1	BUSHING	
23	15901201620	1	CAP, SPARK PLUG	
24	15901103432	1	TERMINAL, SPARK PLUG	
25	15901019830	1	SPARK PLUG -- BPM-8Y	
26	A425000000	1	SPARK PLUG -- BPMR-8Y	CANADA MODELS: 10001001-10999999
27	16202152830	1	LEAD, IGNITION	
28	A409000150	1	FLYWHEEL	
29	61032502730	1	WOODRUFF KEY	
30	A160000670	1	COVER, ENGINE	
31	90023804018	2	SCREW 4X18	
32	9110704008	1	SCREW 4X8	
33	89016006361	1	LABEL - CAUTION -- HOT	

Footnotes

1: Also Included In GASKET KIT

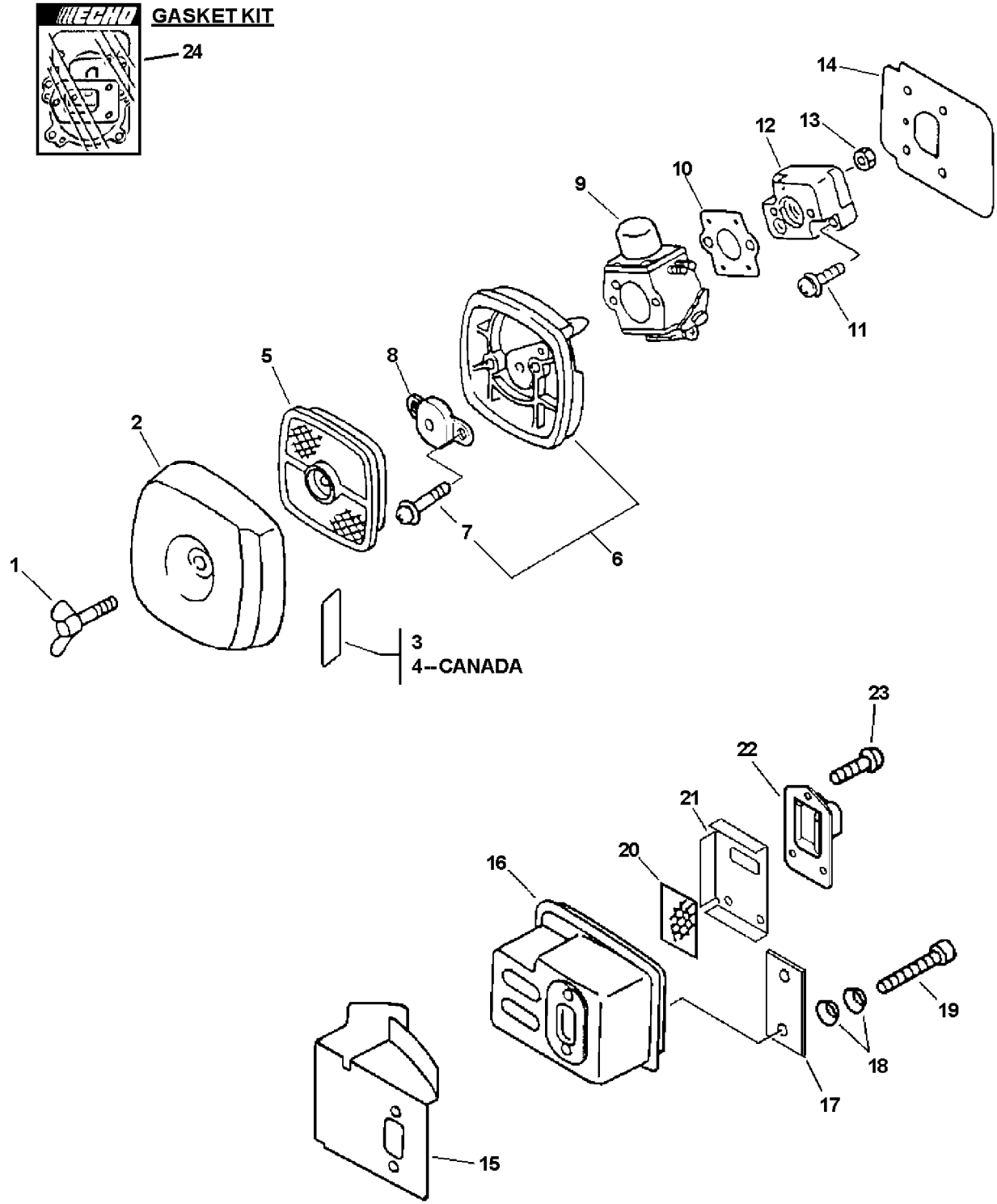


TC00040i000

ITEM	PART NUMBER	QTY	DESCRIPTION	REMARKS
1	A051000591	1	STARTER ASY	INCLUDES ITEMS 2-14
2	P022004610	2	SPRING, PAWL RETURN	
3	P022004620	2	PAWL, STARTER	
4	P022006500	1	CASE, STARTER	
5	P022004680	1	SPRING, REWIND	
6	P022004690	1	DRUM, STARTER	
7	P022004600	1	ROPE, STARTER - 3X800mm ¹	REPOWER BULK OPTION: 99944440000
8	P022004990	1	GRIP, STARTER	
9	17724611120	1	CLIP, ROPE	
10	P022004660	1	SPRING, RETURN	
11	P022004670	1	SPRING PAWL	
12	P022004700	1	SPRING ASY	
13	P022004640	1	PLATE, CAM	
14	P022004630	1	SCREW	
15	90025305020	3	SCREW 5X20	
16	X502000032	1	LABEL,	
17	X503004630	1	LABEL - MODEL -- TC-210i	
18	A052000150	1	STARTER PAWL ASY	INCLUDES ITEMS 19-21
19	P022004740	2	PAWL, STARTER	
20	P022006510	2	SPRING, PAWL RETURN	
21	P022002100	2	E-RING	
22	13100511821	1	TANK, FUEL	INCLUDES ITEM 23
23	13104528230	3	SPACER	
24	90027505015	3	SCREW 5X15	
25	A356000030	1	VENT ASY	
26	13011100530	1	CLIP	
27	V471001200	1	PIPE, VENT - 3X5X70mm	REPOWER BULK OPTION: 90014
28	13201049030	1	PIPE, RETURN - 3X6X50mm	REPOWER BULK OPTION: 90017
29	V471001230	1	PIPE, FUEL - 3X5X210mm	REPOWER BULK OPTION: 90014
30	V137000030	1	GROMMET	
31	13201309820	1	CLIP	
32	13120507320	1	FILTER, FUEL	
33	13100455530	1	CAP ASY	INCLUDES ITEMS 34-35
34	13101655830	1	GASKET, CAP	
35	13105156030	1	CONNECTOR, CAP	
36	17500007531	1	CLUTCH ASY	INCLUDES ITEMS 37-39
37	17501605020	1	HUB, CLUTCH	
38	17501805130	2	SPRING, CLUTCH	
39	17500905131	2	SHOE, CLUTCH	
40	17501904630	1	PLATE, CLUTCH	
41	90060000010	1	WASHER 10	
42	90080836000	1	BEARING, BALL	
43	17501004633	1	DRUM, CLUTCH	
44	17504404630	1	WASHER, CLUTCH	
45	17501411520	1	WASHER, CLUTCH	
46	90023806012	1	SCREW 6X12	
47	61022311520	1	CASE, CLUTCH	
48	90023804014	4	SCREW 4X14	
49	13041611520	1	BOLT	

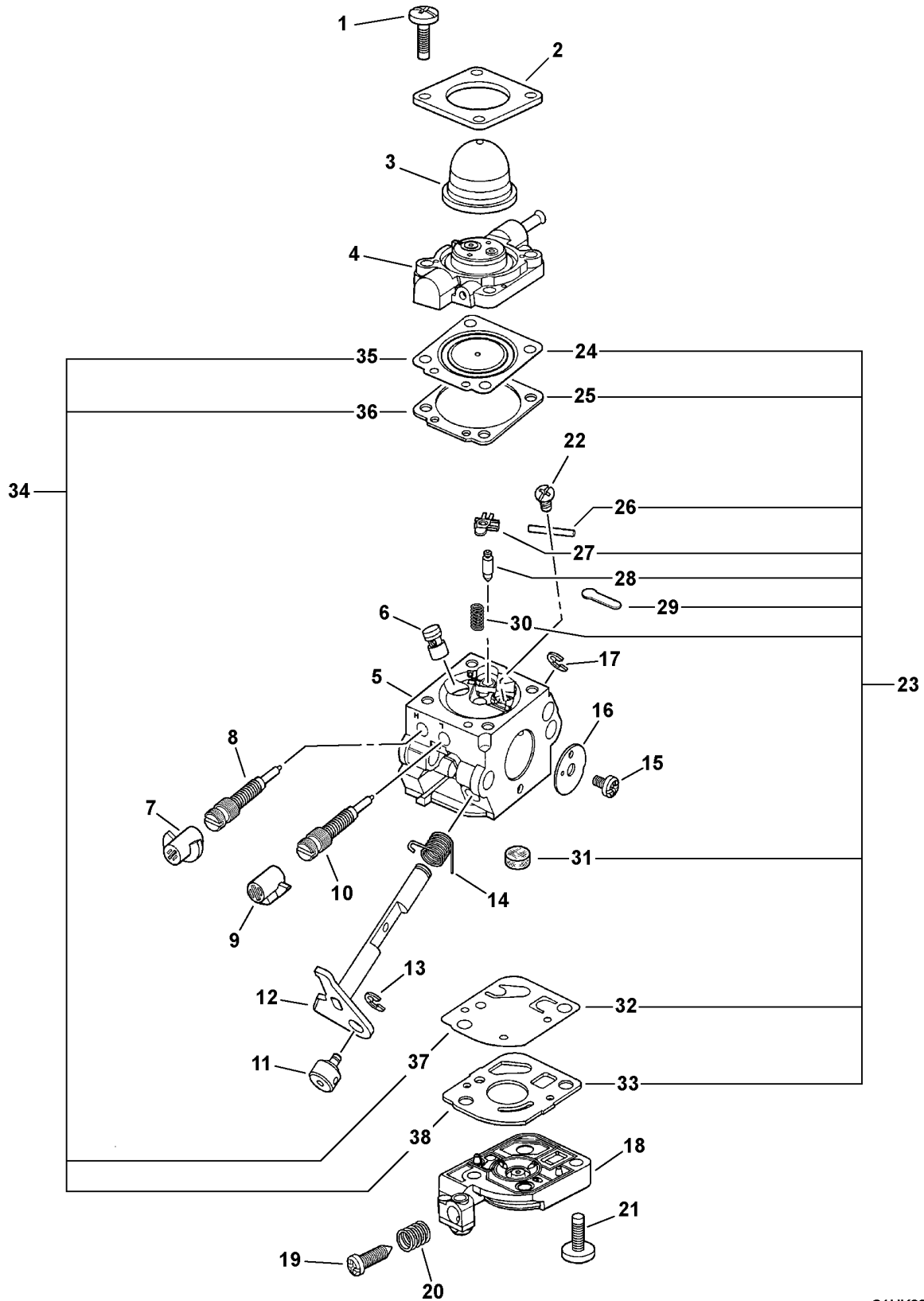
Footnotes

1: BULK OPTION: 99944444000



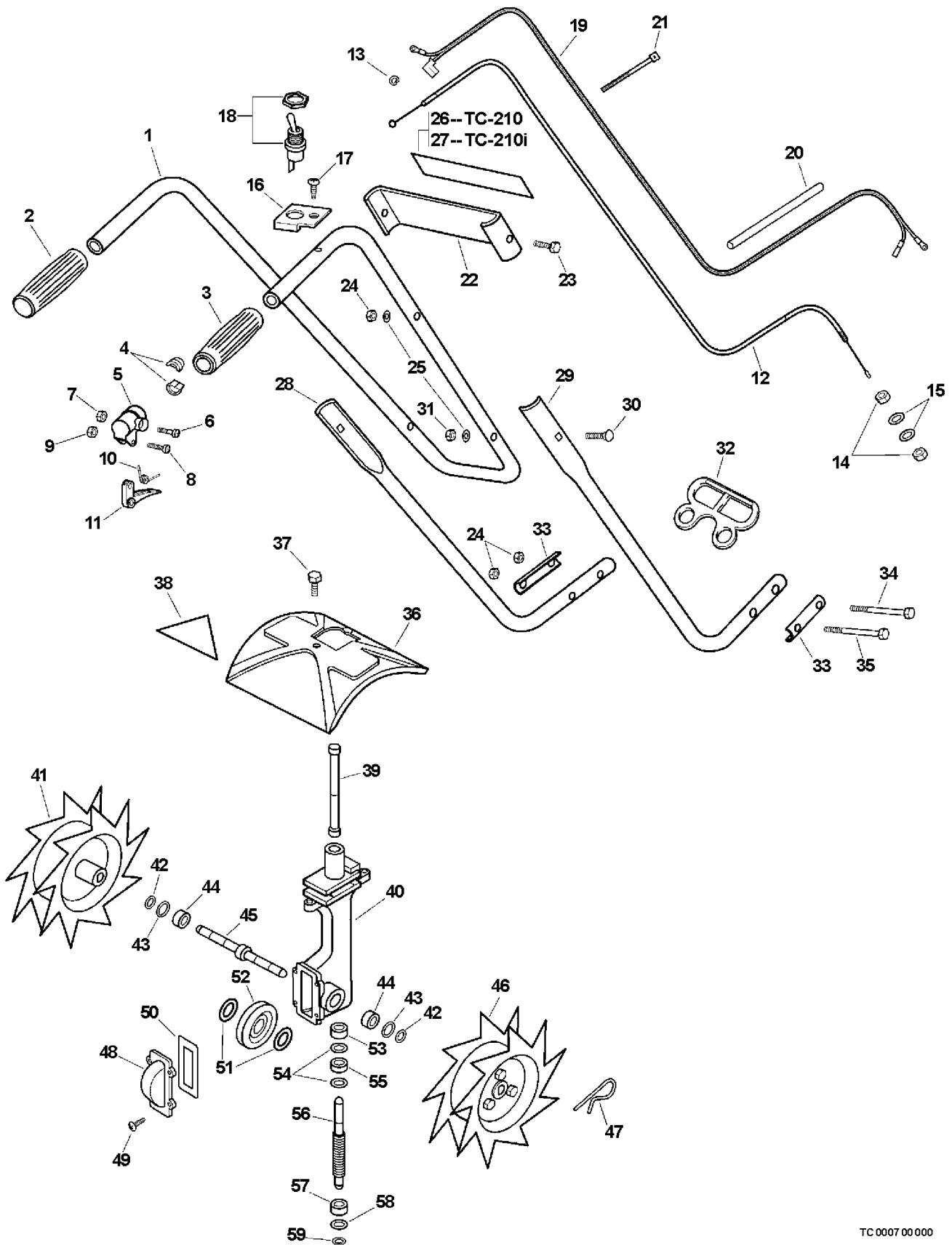
TC0006008_9_10

ITEM	PART NUMBER	QTY	DESCRIPTION	REMARKS
1	21041752730	1	WING BOLT	
2	13031306563	1	COVER, AIR CLEANER	
3	89012106360	1	LABEL, CHOKE	
4	89012148830	1	LABEL, CHOKE	CANADA MODELS: 09001001-10999999
5	13031054130	1	FILTER, AIR	
6	P021002921	1	CASE, AIR CLEANER	INCLUDES ITEM 7
7	90024205065	2	SCREW 5X65	
8	12901152730	1	PLATE, PREVENT	
9	A021001090	1	CARBURETOR -- C1U-K82	
10	13001642031	1	GASKET, INTAKE	
11	90023805020	2	SCREW 5X20	
12	13001742031	1	INSULATOR	
13	90050000005	2	NUT 5	
14	13001042032	1	SHIELD, CYLINDER	
15	V104000590	1	SHIELD, EXHAUST	
16	A300000521	1	MUFFLER	
17	V150000371	1	EYE PLATE	
18	V347000000	4	WASHER, CONICAL	
19	90010505055	2	SCREW 5X55	
20	14586240630	1	SCREEN, MUFFLER	
21	V104000072	1	GASKET, EXHAUST	
22	A313000700	1	GUIDE, EXHAUST	
23	9136704012	3	SCREW 4X12	
24	P021009110	1	GASKET KIT	



C1UK82 0001 000

ITEM	PART NUMBER	QTY	DESCRIPTION	REMARKS
0	A021001090	1	CARBURETOR -- C1U-K82	
1	P005000980	4	SCREW, PURGE BASE	
2	P005000620	1	RETAINER, PURGE BULB	
3	12538108660	1	BULB, PURGE	
4	P005000970	1	BASE, PURGE	
5	-----	1	BODY, CARBURETOR	NOT AVAILABLE SEPARATELY
6	12537613120	1	NOZZLE, CHECK VALVE	
7	12532939030	1	CAP, MIXTURE LIMITER - HIGH SPEED	
8	12532013310	1	NEEDLE - HIGH SPEED	
9	12532909860	1	CAP, MIXTURE LIMITER - LOW SPEED	
10	12531813120	1	NEEDLE - LOW SPEED	
11	12537242030	1	SWIVEL	
12	P005001070	1	SHAFT, THROTTLE	
13	12532713930	1	CLIP, THROTTLE SHAFT	
14	12531342030	1	SPRING, THROTTLE RETURN	
15	12531413930	1	SCREW, THROTTLE VALVE	
16	12531649030	1	VALVE, THROTTLE	
17	12532715130	1	CLIP, THROTTLE SHAFT	
18	12532412820	1	COVER, FUEL PUMP	
19	12533406960	1	SCREW, IDLE ADJUST	
20	12533306960	1	SPRING, IDLE ADJUST	
21	12531012820	2	SCREW, FUEL PUMP COVER	
22	12533942030	1	SCREW, METERING LEVER PIN	
23	12530013120	1	REPAIR KIT	INCLUDES ITEMS 24-33
24	-----	1	DIAPHRAGM, METERING	
25	-----	1	GASKET, METERING DIAPHRAGM	
26	-----	1	PIN, METERING LEVER	
27	-----	1	LEVER, METERING	
28	-----	1	VALVE, INLET NEEDLE	
29	-----	1	WELCH PLUG	
30	-----	1	SPRING, METERING LEVER	
31	-----	1	STRAINER	
32	-----	1	DIAPHRAGM, FUEL PUMP	
33	-----	1	GASKET, FUEL PUMP	
34	12530313120	1	GASKET/DIAPHRAGM KIT	INCLUDES ITEMS 35-38
35	-----	1	DIAPHRAGM, METERING	
36	-----	1	GASKET, METERING DIAPHRAGM	
37	-----	1	DIAPHRAGM, FUEL PUMP	
38	-----	1	GASKET, FUEL PUMP	



TC 0007 00 000

ITEM	PART NUMBER	QTY	DESCRIPTION	REMARKS
1	35101013351	1	HANDLE, UPPER	
2	35131102330	1	GRIP, HANDLE - LEFT	
3	35131527930	1	GRIP, HANDLE - RIGHT	
4	17811113350	2	CLIP	
5	17802408730	1	BRACKET, THROTTLE	
6	17811005330	1	SCREW	
7	90056000005	1	LOCKNUT	
8	90022005025	1	SCREW 5X25	
9	90050000005	1	NUT 5	
10	17804305230	1	SPRING, THROTTLE RETURN	
11	17801006460	1	TRIGGER, THROTTLE	
12	17800111520	1	CABLE, THROTTLE	
13	V583000020	1	E-RING	
14	90050200006	2	NUT 6	
15	90061000006	2	LOCKWASHER 6	
16	16381013350	1	BRACKET, SWITCH	
17	90025305010	1	SCREW 5X10	
18	16340002160	1	SWITCH, IGNITION	
19	V485000251	1	LEAD, GROUND	
20	17812750330	1	TUBE, VINYL	
21	17812143230	2	TIE STRAP	
22	35131213350	1	BRACKET, HANDLE	
23	90001708040	2	BOLT 1/4X1-1/4	
24	90003100008	4	LOCKNUT 1/4	
25	16389213350	6	SPRING WASHER	
26	89016011760	1	LABEL, CAUTION -- TC-210	
27	X503004700	1	LABEL, CAUTION -- TC-210i	
28	35121013350	1	HANDLE, LOWER - LEFT	
29	35111013350	1	HANDLE, LOWER - RIGHT	
30	90001808040	2	BOLT 1/4X1-1/4	
31	90003208032	2	NUT 1/4	
32	30581113350	1	HANDLE, FRONT	
33	69401113350	2	EYE PLATE	
34	90001708096	1	BOLT 1/4X3	
35	90001708104	1	BOLT 1/4X3-1/4	
36	69401013351	1	SHEILD, BLADE	
37	90002108016	2	BOLT 1/4X1/2	
38	X505001210	1	LABEL, CAUTION	
39	60531012350	1	DRIVESHAFT	
40	60541012350	1	HOUSING, WORM GEAR	
41	69001113350	1	ROTOR, CULTIVATOR - LEFT	
42	60542813350	2	RETAINER, BEARING SEAL	
43	60541713350	2	SEAL, BEARING	
44	60422113350	2	BEARING, WORM GEAR	
45	60531413350	1	SHAFT, TINE	
46	69001013350	1	ROTOR, CULTIVATOR - RIGHT	
47	60561213350	2	SNAP PIN	
48	66002012350	1	COVER, HOUSING	
49	90008200100	4	SCREW	
50	60541212350	1	GASKET, HOUSING COVER	
51	60531613350	2	THRUST WASHER, WORM GEAR	
52	60531513350	1	GEAR, WORM	
53	60541813350	1	BEARING	
54	60532413350	2	RACE, WORM BEARING	
55	60543313350	1	THRUST BEARING, WORM SHAFT	
56	60531313350	1	SHAFT, WORM	

ITEM	PART NUMBER	QTY	DESCRIPTION	REMARKS
57	60541812350	1	BEARING	
58	60551112350	1	DISC, WORM SHAFT	
59	90070200015	1	RING, RETAINING	



Part Number Index

Click The Page Number After Any Part Number To View The Diagram Containing That Part.

Part Number	Page	Part Number	Page	Part Number	Page
-----	11	35131102330	13	A425000000	5
10001311520	5	35131213350	13	P005000620	11
10001411520	5	35131527930	13	P005000970	11
10001504630	5	60422113350	13	P005000980	11
10020411521	5	60531012350	13	P005001070	11
10021242031	5	60531313350	13	P021002921	9
10024242030	5	60531413350	13	P021007712	5
12530013120	11	60531513350	13	P021009110	5, 9
12530313120	11	60531613350	13	P022002100	7
12531012820	11	60532413350	13	P022004600	7
12531342030	11	60541012350	13	P022004610	7
12531413930	11	60541212350	13	P022004620	7
12531649030	11	60541713350	13	P022004630	7
12531813120	11	60541812350	14	P022004640	7
12532013310	11	60541813350	13	P022004660	7
12532412820	11	60542813350	13	P022004670	7
12532713930	11	60543313350	13	P022004680	7
12532715130	11	60551112350	14	P022004690	7
12532909860	11	60561213350	13	P022004700	7
12532939030	11	61022311520	7	P022004740	7
12533306960	11	61032502730	5	P022004990	7
12533406960	11	66002012350	13	P022006500	7
12533942030	11	69001013350	13	P022006510	7
12537242030	11	69001113350	13	SB1087	5
12537613120	11	69401013351	13	V100000160	5
12538108660	11	69401113350	13	V104000072	9
12901152730	9	89012106360	9	V104000590	9
13001042032	9	89012148830	9	V137000030	7
13001642031	9	89016006361	5	V150000371	9
13001742031	9	89016011760	13	V347000000	9
13011100530	7	90001708040	13	V471001200	7
13031054130	9	90001708096	13	V471001230	7
13031306563	9	90001708104	13	V475002200	5
13041611520	7	90001808040	13	V485000251	13
13100455530	7	90002108016	13	V553000010	5
13100511821	7	90003100008	13	V583000020	13
13101655830	7	90003208032	13	V622000020	5
13104528230	7	90008200100	13	X502000032	7
13105156030	7	90010505055	9	X503004630	7
13120507320	7	90016204020	5	X503004700	13
13201049030	7	90016205022	5	X505001210	13
13201309820	7	90016205028	5		
14586240630	9	90022005025	13		
15611004920	5	90023804014	7		
15901019830	5	90023804018	5		
15901103432	5	90023805020	9		
15901201620	5	90023806012	7		
16202152830	5	90024205065	9		
16340002160	13	90025305010	13		
16381013350	13	90025305020	7		
16389213350	13	90027505015	7		
17500007531	7	90050000005	9, 13		
17500905131	7	90050200006	13		
17501004633	7	90056000005	13		
17501411520	7	90060000010	7		
17501605020	7	90061000006	13		
17501805130	7	90070200015	14		
17501904630	7	90080836000	7		
17504404630	7	9110704008	5		
17724611120	7	9136704012	9		
17800111520	13	9403536201	5		
17801006460	13	A011000390	5		
17802408730	13	A021001090	9, 11		
17804305230	13	A051000591	7		
17811005330	13	A052000150	7		
17811113350	13	A101000090	5		
17812143230	13	A130000550	5		
17812750330	13	A160000670	5		
21041752730	9	A300000521	9		
30581113350	13	A313000700	9		
35101013351	13	A356000030	7		
35111013350	13	A409000150	5		
35121013350	13	A411000220	5		



Part Description Index

Click The Page Number After Any Part Description To View The Diagram Containing That Part.

B

BASE, PURGE.....11
 BEARING.....13, 14
 BEARING, BALL.....7
 BEARING, BALL - 6201.....5
 BEARING, NEEDLE.....5
 BEARING, WORM GEAR.....13
 BODY, CARBURETOR.....11
 BOLT.....7
 BOLT 1/4X1/2.....13
 BOLT 1/4X1-1/4.....13
 BOLT 1/4X3.....13
 BOLT 1/4X3-1/4.....13
 BRACKET, HANDLE.....13
 BRACKET, SWITCH.....13
 BRACKET, THROTTLE.....13
 BULB, PURGE.....11
 BUSHING.....5

C

CABLE, THROTTLE.....13
 CAP ASY.....7
 CAP, MIXTURE LIMITER - HIGH SPEED.....11
 CAP, MIXTURE LIMITER - LOW SPEED.....11
 CAP, SPARK PLUG.....5
 CARBURETOR -- C1U-K82.....9, 11
 CASE, AIR CLEANER.....9
 CASE, CLUTCH.....7
 CASE, STARTER.....7
 CIRCLIP, PISTON PIN.....5
 CLIP.....7, 13
 CLIP, ROPE.....7
 CLIP, THROTTLE SHAFT.....11
 CLUTCH ASY.....7
 COIL, IGNITION.....5
 CONNECTOR, CAP.....7
 COVER, AIR CLEANER.....9
 COVER, ENGINE.....5
 COVER, FUEL PUMP.....11
 COVER, HOUSING.....13
 CRANKCASE KIT.....5
 CRANKSHAFT ASY.....5
 CYLINDER.....5

D

DIAPHRAGM, FUEL PUMP.....11
 DIAPHRAGM, METERING.....11
 DISC, WORM SHAFT.....14
 DOWEL PIN.....5
 DRIVESHAFT.....13
 DRUM, CLUTCH.....7
 DRUM, STARTER.....7

E

E-RING.....7, 13
 EYE PLATE.....9, 13

F

FILTER, AIR.....9
 FILTER, FUEL.....7
 FLYWHEEL.....5

G

GASKET KIT.....5, 9
 GASKET, CAP.....7
 GASKET, CRANKCASE.....5
 GASKET, CYLINDER.....5
 GASKET, EXHAUST.....9
 GASKET, FUEL PUMP.....11
 GASKET, HOUSING COVER.....13
 GASKET, INTAKE.....9
 GASKET, METERING DIAPHRAGM.....11
 GASKET/DIAPHRAGM KIT.....11
 GEAR, WORM.....13
 GRIP, HANDLE - LEFT.....13
 GRIP, HANDLE - RIGHT.....13
 GRIP, STARTER.....7
 GROMMET.....7
 GUIDE, EXHAUST.....9

H

HANDLE, FRONT.....13
 HANDLE, LOWER - LEFT.....13
 HANDLE, LOWER - RIGHT.....13
 HANDLE, UPPER.....13
 HOUSING, WORM GEAR.....13
 HUB, CLUTCH.....7

I

INSULATOR.....9

L

LABEL - CAUTION -- HOT.....5
 LABEL - MODEL -- TC-210i.....7
 LABEL.....7
 LABEL, CAUTION.....13
 LABEL, CAUTION -- TC-210.....13
 LABEL, CAUTION -- TC-210i.....13
 LABEL, CHOKE.....9
 LEAD, GROUND.....13
 LEAD, IGNITION.....5
 LEVER, METERING.....11
 LOCKNUT.....13
 LOCKNUT 1/4.....13
 LOCKWASHER 6.....13

M

MUFFLER.....9

N

NEEDLE - HIGH SPEED.....11
 NEEDLE - LOW SPEED.....11
 NOZZLE, CHECK VALVE.....11
 NUT 1/4.....13
 NUT 5.....9, 13
 NUT 6.....13

O

OIL SEAL.....5

P

PAWL, STARTER.....7
 PIN, METERING LEVER.....11

PIN, PISTON.....5
 PIPE, FUEL - 3X5X210mm.....7
 PIPE, RETURN - 3X6X50mm.....7
 PIPE, VENT - 3X5X70mm.....7
 PISTON KIT.....5
 PLATE, CAM.....7
 PLATE, CLUTCH.....7
 PLATE, PREVENT.....9

R

RACE, WORM BEARING.....13
 REPAIR KIT.....11
 RETAINER, BEARING SEAL.....13
 RETAINER, PURGE BULB.....11
 RING, PISTON.....5
 RING, RETAINING.....14
 ROPE, STARTER - 3X800mm.....7
 ROTOR, CULTIVATOR - LEFT.....13
 ROTOR, CULTIVATOR - RIGHT.....13

S

SCREEN, MUFFLER.....9
 SCREW.....7, 13
 SCREW 5X20.....9
 SCREW 5X65.....9
 SCREW 4X12.....9
 SCREW 4X14.....7
 SCREW 4X18.....5
 SCREW 4X20.....5
 SCREW 4X8.....5
 SCREW 5X10.....13
 SCREW 5X15.....7
 SCREW 5X20.....7
 SCREW 5X22.....5
 SCREW 5X25.....13
 SCREW 5X28.....5
 SCREW 5X55.....9
 SCREW 6X12.....7
 SCREW, FUEL PUMP COVER.....11
 SCREW, IDLE ADJUST.....11
 SCREW, METERING LEVER PIN.....11
 SCREW, PURGE BASE.....11
 SCREW, THROTTLE VALVE.....11
 SEAL, BEARING.....13
 SHAFT, THROTTLE.....11
 SHAFT, TINE.....13
 SHAFT, WORM.....13
 SHEILD, BLADE.....13
 SHIELD, CYLINDER.....9
 SHIELD, EXHAUST.....9
 SHOE, CLUTCH.....7
 SHORT BLOCK.....5
 SNAP PIN.....13
 SPACER.....7
 SPACER, PISTON PIN.....5
 SPARK PLUG -- BPM-8Y.....5
 SPARK PLUG -- BPMR-8Y.....5
 SPRING ASY.....7
 SPRING PAWL.....7
 SPRING WASHER.....13
 SPRING, CLUTCH.....7
 SPRING, IDLE ADJUST.....11
 SPRING, METERING LEVER.....11
 SPRING, PAWL RETURN.....7
 SPRING, RETURN.....7



Part Description Index (continued)

SPRING, REWIND.....7
SPRING, THROTTLE RETURN.....11
SPRING, THROTTLE RETURN.....13
STARTER ASY.....7
STARTER PAWL ASY.....7
STRAINER.....11
SWITCH, IGNITION.....13
SWIVEL.....11

T

TANK, FUEL.....7
TERMINAL, SPARK PLUG.....5
THRUST BEARING, WORM SHAFT.....13
THRUST WASHER, WORM GEAR.....13
TIE STRAP.....13
TRIGGER, THROTTLE.....13
TUBE, INSULATOR.....5
TUBE, VINYL.....13

V

VALVE, INLET NEEDLE.....11
VALVE, THROTTLE.....11
VENT ASY.....7

W

WASHER 10.....7
WASHER, CLUTCH.....7
WASHER, CONICAL.....9
WELCH PLUG.....11
WING BOLT.....9
WOODRUFF KEY.....5



ECHO, INCORPORATED
400 Oakwood Road
Lake Zurich, IL 60047 USA

WWW.ECHO-USA.COM

Free Manuals Download Website

<http://myh66.com>

<http://usermanuals.us>

<http://www.somanuals.com>

<http://www.4manuals.cc>

<http://www.manual-lib.com>

<http://www.404manual.com>

<http://www.luxmanual.com>

<http://aubethermostatmanual.com>

Golf course search by state

<http://golfingnear.com>

Email search by domain

<http://emailbydomain.com>

Auto manuals search

<http://auto.somanuals.com>

TV manuals search

<http://tv.somanuals.com>