



**MAP Sensor Voltage Clamp
For Turbocharged 1992-1998 Honda Civics
Catalog #15022
INSTALLATION INSTRUCTIONS**

PLEASE study these instructions carefully before installing your new MAP Sensor Voltage Clamp for turbocharged or supercharged 1992-1998 Honda Civics. If you have any questions or problems, do not hesitate to contact our **Technical Hotline at: 1-800-416-8628**, from 7am-5pm, Pacific Standard Time, Monday-Friday, or via e-mail at: **Edelbrock@Edelbrock.com**. Please fill out and mail your warranty card. Remember to include the model number of this product in the "Part #____" space. Thank you.

- **Description:** This MAP Sensor Voltage Clamp limits the voltage sent from the MAP Sensor to the ECU to prevent the ECU from "seeing" boost pressure in turbocharged or supercharged applications. 1992-1998 Honda Civic ECUs will show an error code for the MAP sensor if boost pressure is read by the MAP sensor. Limiting the MAP sensor output voltage will keep readings at the ECU from going beyond the normal range seen on a stock naturally aspirated engine, preventing the MAP error code. This kit includes the voltage clamp, attached wiring, and the required splice connectors.
- **CAUTION:** It is highly recommended to use a heat gun to shrink the shrink wrap around the provided connectors after making connections. Use care when using these devices near any flammable material such as carpeting, sound deadening material, etc. Keep a Fire Extinguisher rated for use on electrical equipment nearby for added safety.

INSTALLATION PROCEDURE

NOTE: Before beginning, make sure the negative cable on the battery is disconnected, and that the vehicle is on a level surface with the wheels blocked to prevent movement of the vehicle while working in and around the vehicle. It is also helpful to have a service manual for your particular vehicle on hand for reference.

1. Remove the passenger side kick panel to gain access to the factory ECU. (See factory service manual, if necessary). Unplug the A & D plugs from the factory ECU.
2. Follow the wiring instructions as listed below for your particular vehicle:

1992-1995 VEHICLES

Tap Into The ECU's Power Source:

Locate the Ignition Power wire, a yellow wire with a black stripe, in position A-25 (See Fig. 1). Cut and then strip both ends of the cut wire. With a splice connector, connect both cut ends to the red wire coming from the voltage clamp (See Fig. 3).

Tap Into the MAP Sensor Ground Wire:

Find the MAP sensor ground wire. It is a green wire with a blue stripe. It is located at position D-21 (See Fig. 1). Cut the wire and strip the cut ends. Use a splice connector to connect both ends of the cut MAP sensor ground wire to the black wire coming from the voltage clamp (See Fig. 3).

Intercept the MAP Sensor Signal Wire:

Locate the MAP sensor signal wire. This is a yellow wire with a green stripe located at D-19 (See Fig. 1).

NOTE: On 1994-1995 vehicles, this is a pink wire with a white stripe, located at position D-17. See Fig. 1 for reference.

Cut the wire and strip both ends of the cut wire. Using a splice connector, attach the blue wire with a red stripe on the voltage clamp to the end of the MAP sensor signal wire that leads to the ECU (See Fig. 3), and with the remaining splice connector, attach the blue wire on the voltage clamp to the other end of the cut wire which leads to the MAP sensor (See Fig. 3).

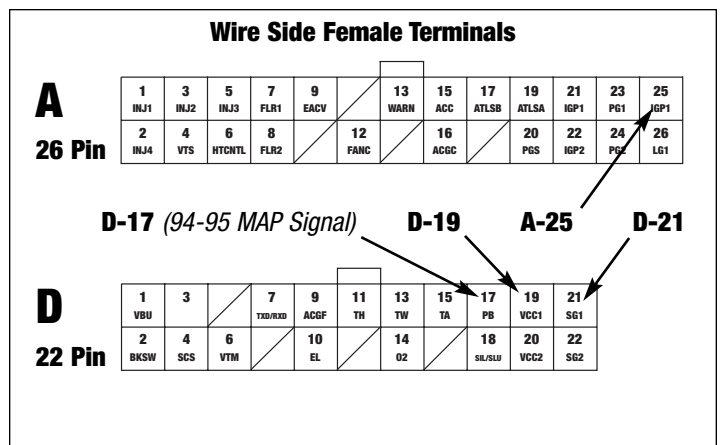


Figure 1 - 1992-1995 Pin Locations

1996-1998 VEHICLES

Tap Into The ECU's Power Source:

Locate the Ignition Power wire (yellow / black stripe), in position A-11 (*See Fig. 2*). Cut and strip both ends of the cut wire. With a splice connector, connect them both to the red wire on the voltage clamp (*Fig. 3*).

Tap Into the MAP Sensor Ground Wire:

Find the MAP sensor ground wire (green / white stripe). It is located at position D-12 (*Fig. 2*). Cut this wire and strip the cut ends. Use a splice connector to connect both ends of the cut MAP sensor ground wire to the black wire on the clamp (*Fig. 3*).

Intercept the MAP Sensor Signal Wire:

Locate the MAP sensor signal wire (red / green stripe) located at D-3 (*Fig. 2*). Cut the wire and strip both ends of the cut wire. Using a splice connector, attach the blue wire with a red stripe on the voltage clamp to the end of the MAP sensor signal wire that leads to the ECU (*Fig. 3*), and with the remaining splice connector, attach the blue wire on the voltage clamp to the other end of the cut wire which leads to the MAP sensor (*Fig. 3*).

INSTALLATION (CONTINUATION)

3. Mount the voltage clamp under the dashboard in a convenient location. Using a heat gun, shrink the insulation on the splice connectors. Use a piece of heavy cardboard to shield carpeting and any nearby electrical tape or other components that could be damaged by heat.
4. Wrap the newly connected wiring with electrical tape to protect it and secure with tie wraps as necessary.
5. Plug the A & D connectors back into the ECU, and replace the passenger side kick panel.
6. Reconnect the battery.

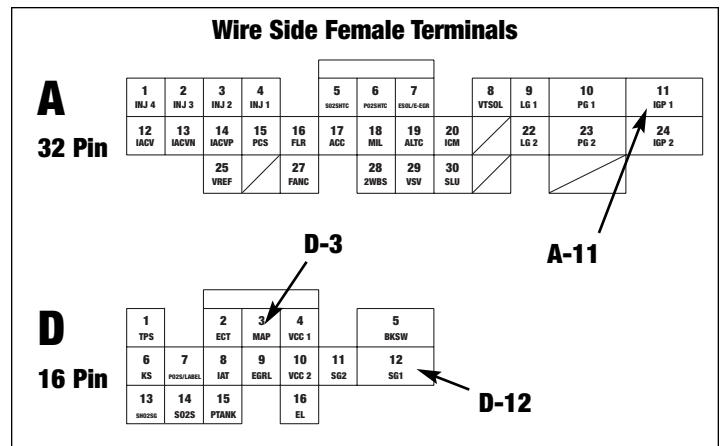
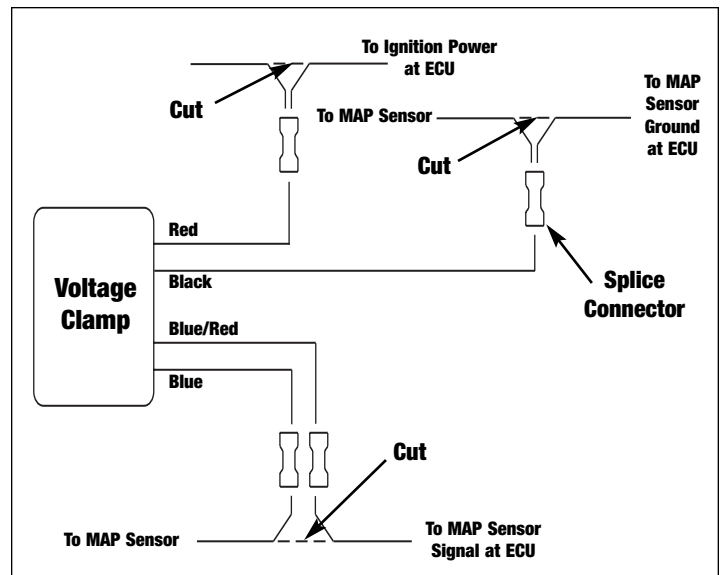


Figure 2 - 1996-1998 Pin Locations



Edelbrock Corporation
2700 California St. • Torrance, CA 90503
Tech Line: (800) 416-8628 • Office: (310) 781-2222
Fax: (310) 972-2730 • E-Mail: Edelbrock@Edelbrock.com

Free Manuals Download Website

<http://myh66.com>

<http://usermanuals.us>

<http://www.somanuals.com>

<http://www.4manuals.cc>

<http://www.manual-lib.com>

<http://www.404manual.com>

<http://www.luxmanual.com>

<http://aubethermostatmanual.com>

Golf course search by state

<http://golfingnear.com>

Email search by domain

<http://emailbydomain.com>

Auto manuals search

<http://auto.somanuals.com>

TV manuals search

<http://tv.somanuals.com>