



EDELBROCK EFI FUEL PRESSURE REGULATORS

CATALOG #1728 and #1729

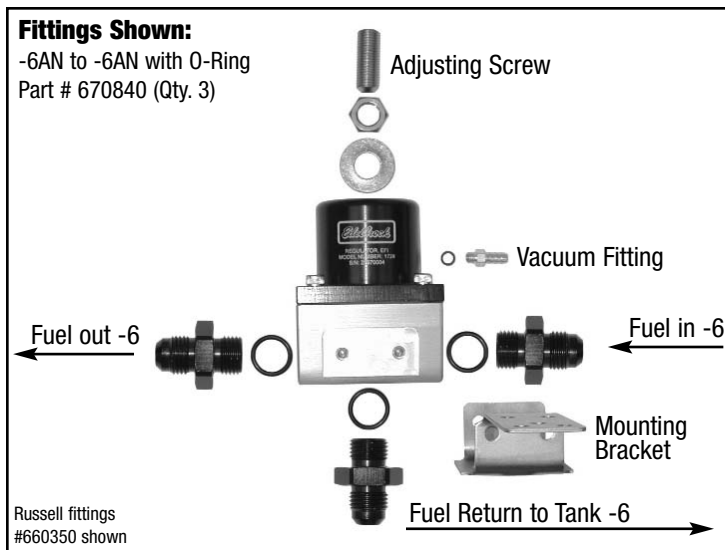
INSTALLATION INSTRUCTIONS

PLEASE study these instructions completely and thoroughly before installing your new Edelbrock Fuel Pressure Regulators. If you have any questions or problems, contact our **Technical Hotline at: 1-800-416-8628**, 7 am - 5 pm Monday-Friday, Pacific Standard Time or e-mail us at edelbrock@edelbrock.com. Please fill out and return the Warranty Card.

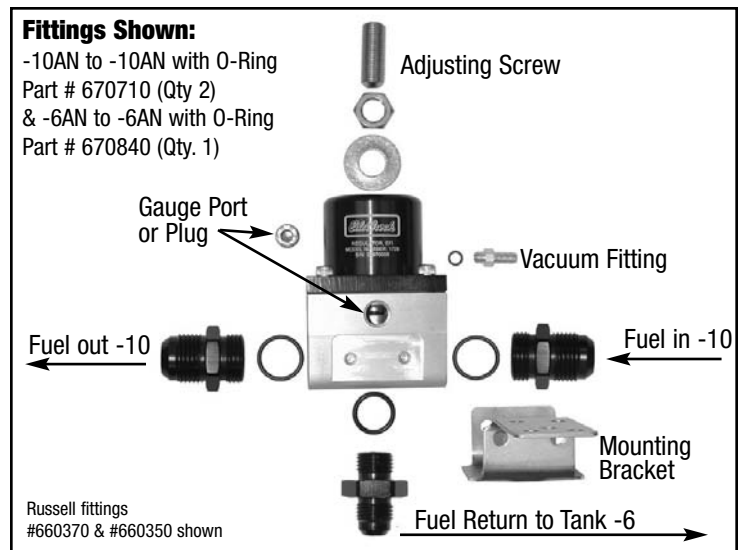
CAUTION!

Installation of this product should be performed by those persons knowledgeable in the repair and modification of automotive fuel injection systems. **Do not loosen fuel system connections until relieving pressure** as recommended in your automotive service manual. Fuel leakage will occur when loosening fuel system connections, eliminate potential fire hazards before loosening any fuel system connections.

1. With the ignition "off" and engine cool, relieve the fuel system pressure.
2. Remove the existing regulator vacuum line, if so equipped.
3. Disconnect the existing regulator fuel lines. Plug the open fuel lines to prevent foreign matter from entering the fuel system. Remove the existing regulator.
4. Determine the new regulator mounting location. Replace existing fuel lines as necessary for proper fitment. Use existing bracket holes, if possible. Otherwise, mark and drill mounting bracket holes using the bracket as a template.
5. Install the o-rings and fittings (**Fuel fittings NOT included**) as shown below.
6. Assemble the bracket and regulator.
7. Install the regulator and bracket assembly in the desired location.
8. Connect and tighten fuel lines to the inlet and outlet, as shown below. Connect manifold vacuum to the vacuum fitting on the regulator.
9. If installing Model 1729, install the plug (supplied) or connect a fuel pressure gauge to the gauge port using a 1/8-27 NPT male thread and thread sealer (not supplied).
10. **Check for leaks:** Turn ignition to the "Run" position and check all connections for leaks. If any leaks exist, immediately turn key off and repair before continuing.
11. Start the engine, loosen the jam nut on the top of the regulator, and turn the adjusting screw until the desired fuel rail pressure is obtained. Tighten the jam nut and re-check the fuel rail pressure.



#1728



#1729

Edelbrock Corporation • 2700 California St. • Torrance, CA 90503
Technical Toll-Free Hotline: (800) 416-8628 • Office: (310) 781-2222
E-Mail: Edelbrock@Edelbrock.com

Free Manuals Download Website

<http://myh66.com>

<http://usermanuals.us>

<http://www.somanuals.com>

<http://www.4manuals.cc>

<http://www.manual-lib.com>

<http://www.404manual.com>

<http://www.luxmanual.com>

<http://aubethermostatmanual.com>

Golf course search by state

<http://golfingnear.com>

Email search by domain

<http://emailbydomain.com>

Auto manuals search

<http://auto.somanuals.com>

TV manuals search

<http://tv.somanuals.com>