



Edelbrock Qwikdata Shaft Speed Sensor Kit

Catalog # 91195 & 91196

INSTALLATION INSTRUCTIONS

- PLEASE study these instructions carefully before installing your new Edelbrock Qwikdata Shaft Speed Sensor Kit. If you have any questions or problems, do not hesitate to contact our Technical Hotline at: 1-800-416-8628, from 7am-5pm, Monday through Friday, Pacific Standard Time, or via e-mail at: Edelbrock@Edelbrock.com.

DESCRIPTION

The Edelbrock Qwikdata Shaft Speed Sensor Kit allows users of the Qwikdata data acquisition system or other data acquisition systems to mount up to 4 magnets in an aluminum ring to the rear end pinion yoke on a Ford 9" housing. Part #91195 will mount to most standard Ford 9" rear housings with a 1.875" diameter pinion yoke. Part #91196 will fit 2.187" diameter, 35 spline yokes.

Kit Contents:

- 1 - Two-Piece Aluminum Mounting Ring
- 2 - 10-32 x 3/4" Cap Screws
- 4 - Magnets
- 1 - Sensor Switch Bracket
- 1 - Sensor Switch

Installation Procedure

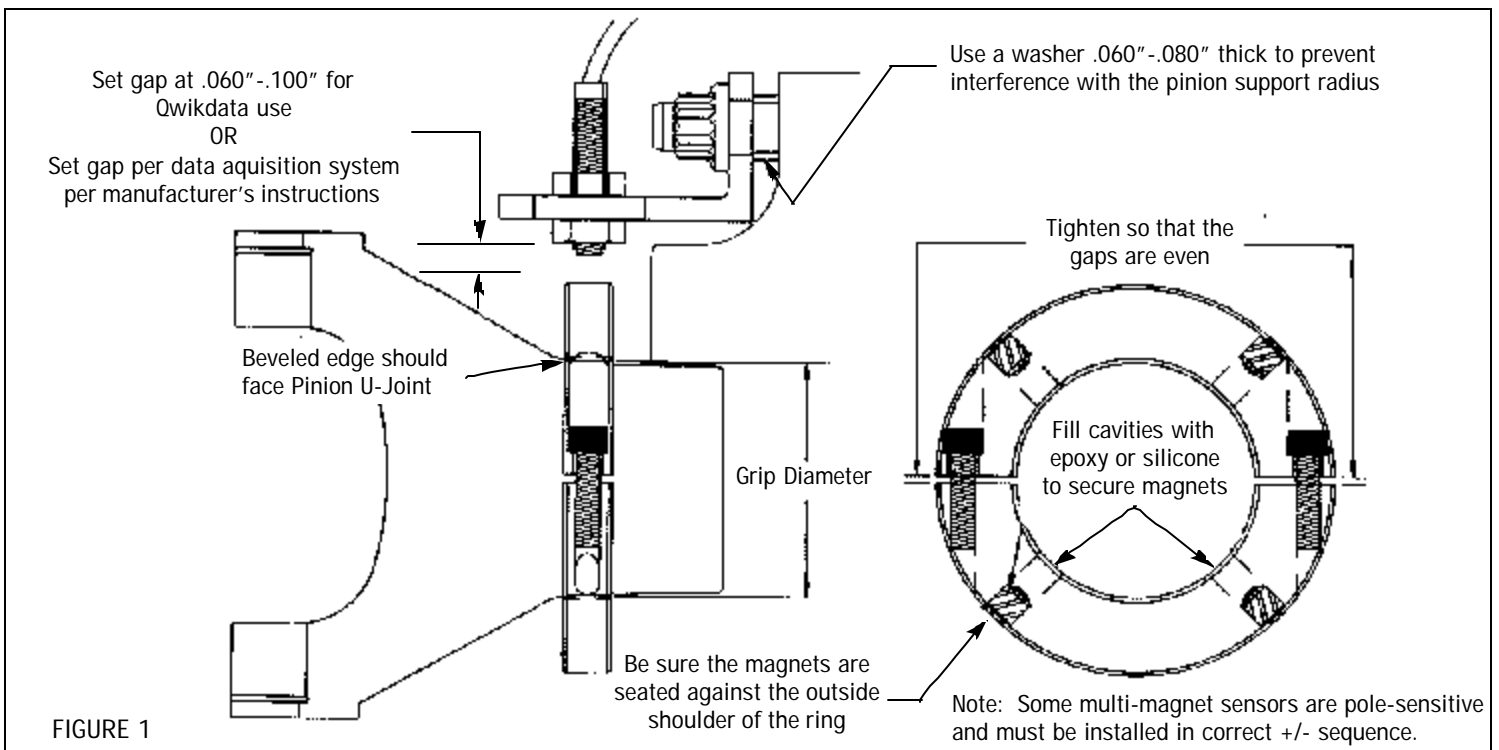
- Note: Refer to Figure 1 below for reference on all steps.

1. Install the number of magnets you require for your data acquisition system into the ring assembly.
2. The magnets are to be seated against the shoulder (towards the outside diameter of the ring), then glued with an adhesive such as epoxy, RTV silicone, hot glue, etc. (Note: Some computers are sensitive to the magnet's north and south poles. Install magnets per requirements for your data acquisition system.)
3. Install the ring halves around the pinion coupler and tighten the 10-32 x 3/4" cap screws tightly. The beveled edge of the

inside of the ring should face the pinion U-joint. The gap on each side of the ring should be even to ensure correct timing on multiple magnet use.

4. Attach the Sensor Switch Bracket to a bolt or stud on the rear end housing as shown in Figure 1. Attach Sensor Switch and adjust gap to .060"-.100" for Qwikdata use, or to your data acquisition system specification.

- Note: Periodically, make sure the magnets and mounting ring are secure.
- Caution: Excessive heat can cause the magnets to lose power.



Edelbrock Corporation, 2700 California Street, Torrance, CA 90503

Tech Line: 800-416-8628; Office: 310-781-2222

Brochure No. 63-0192
Rev. 6/03

Free Manuals Download Website

<http://myh66.com>

<http://usermanuals.us>

<http://www.somanuals.com>

<http://www.4manuals.cc>

<http://www.manual-lib.com>

<http://www.404manual.com>

<http://www.luxmanual.com>

<http://aubethermostatmanual.com>

Golf course search by state

<http://golfingnear.com>

Email search by domain

<http://emailbydomain.com>

Auto manuals search

<http://auto.somanuals.com>

TV manuals search

<http://tv.somanuals.com>