



# PERFORMER RPM AIR-GAP LT1/LT4 INTAKE MANIFOLDS

For 1992-97 GM LT1 Engines - Catalog #7107

For 1994-95 GM LT4 Engines - Catalog #7109

## INSTALLATION INSTRUCTIONS

PLEASE study these instructions carefully before beginning this installation. Most installations can be accomplished with common tools and procedures. However, you should be familiar with and comfortable working on your vehicle. If you do not feel comfortable performing this installation, it is recommended to have the installation completed by a qualified mechanic. If you have any questions, please call our Technical Hotline at: 1-800-416-8628, 7:00 am - 5:00 pm, Pacific Standard Time, Monday through Friday or e-mail us at [edelbrock@edelbrock.com](mailto:edelbrock@edelbrock.com).

**IMPORTANT NOTE:** *Proper installation is the responsibility of the installer. Improper installation will void your warranty and may result in poor performance and engine or vehicle damage.*

PLEASE complete and mail your warranty card. Be sure to write the model number of this product in the "Part # \_\_\_\_" space. THANK YOU.

**DESCRIPTION:** The Edelbrock Performer RPM Air-Gap LT1/LT4 intake manifolds feature a tunnel-ram design that offers performance increases in the 1500-6500 RPM range. The Air-Gap design separates the runners from the hot engine oil, resulting in a cooler, denser charge for more power. Manifold #7107 is designed to fit 1992-1997 GM LT1 engines, and is matched to our Performer LT1 cylinder heads #61909. If using OEM cylinder heads, gasket matching of the cylinder head intake ports is recommended for optimum performance. The #7109 is designed for 1994-1995 GM LT4 engines. #7109 will also fit 1992-1997 LT1 engines that have installed LT4 style cylinder heads. The #7109 is matched to our Performer LT4 cylinder heads, #61939. It may also be used with our Performer LT1 cylinder heads #61909, with minor port matching of the cylinder head recommended for optimum performance. With OEM LT4 cylinder head applications, such as 1994-1995 LT4 engines, or 1992-1997 LT1 engines with LT4 heads, port matching of the cylinder head is useful for optimum flow. Both manifolds accept stock or aftermarket fuel rails and include an OEM style throttle body pad that will accept oversized throttle bodies up to 58mm.

**KIT CONTENTS:**

- 1 Splash Shield (Installed on bottom of intake manifold)
- 4 3/4" NPT Pipe Plug With Thread Sealer (Installed on bottom of intake manifold)
- 4 1/4" NPT Pipe Plug

**ACCESSORIES & INSTALLATION ITEMS:** Major recommendations are listed below. See our catalog for details. To order a catalog, call (800) FUN-TEAM, or visit [www.edelbrock.com](http://www.edelbrock.com).

**EGR SYSTEMS:** The Performer RPM Air-Gap LT1/LT4 intake manifolds are intended as a direct functionally identical replacement for their O.E.M. counterparts. All exhaust emissions or emissions related stock components are intended to be retained and functional. EGR systems are used on most 1972 and later model vehicles. Check local laws for requirements.

**THROTTLE BODY RECOMMENDATIONS:** Performer RPM Air-Gap LT1/LT4 intake manifolds feature a throttle body pad that will accept OEM and oversized throttle bodies up to 58mm. For optimum performance, match with Edelbrock throttle bodies. Edelbrock offers two throttle bodies for 1994-1997 LT1 applications; a 52mm (#3809) and a 58mm (#3810).

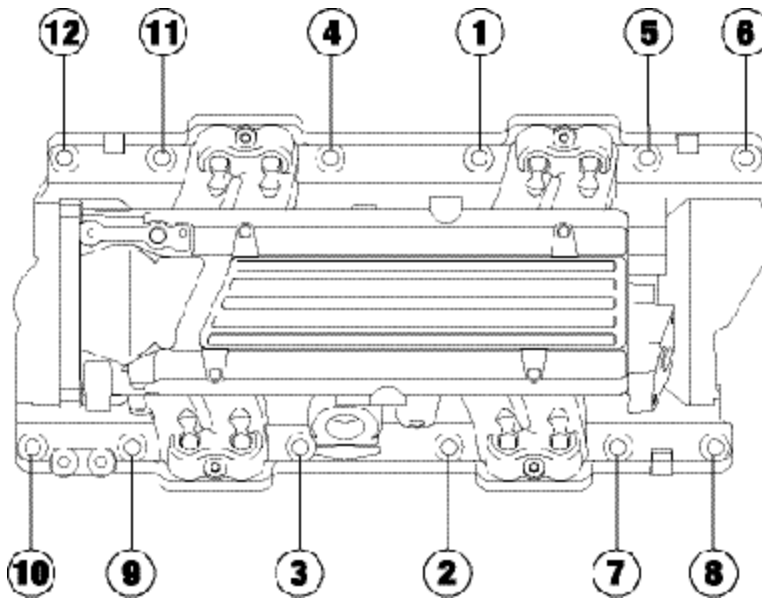
**THROTTLE CABLE & ACCESSORY BRACKETS:** Manifolds will accept factory throttle cable and accessory brackets.

**GASKETS:** Do not use competition-style intake gaskets for this street manifold. Due to material deterioration over time, internal leakage of vacuum, oil, and coolant may occur.

INTAKE MANIFOLD	REFERENCE	RECOMMENDED GASKET
7107	LT1	GM #12524653
7109	LT4	GM #12367777

• **INSTALLATION:**

1. Transfer all factory hardware and emissions equipment to the Edelbrock intake manifold.
2. Use only recommended intake gaskets set when installing this intake manifold.
2. Fully clean the cylinder head intake flanges and the engine block end seal surfaces.
3. Attach the intake gaskets to the cylinder head. Make sure the guide pins on the gasket are aligned with the holes in the intake flanges of the cylinder heads.
4. Do not use cork or rubber end seals. Use RTV silicone sealer instead. Apply a ¼" high bead across each block end seal surface, overlapping the intake gasket at the four corners. This method will eliminate end seal slippage. Set manifold assembly on engine.
5. Install the intake manifold hold-down bolts. Torque all of the manifold bolts in two steps by the sequence shown in *Figure 1* to 25 ft/lbs.



*Figure 1 - Chevrolet LT1/LT4 Torque Sequence and Firing Order  
Torque Bolts to 25 ft/lbs.; Firing Order: 1-8-4-3-6-5-7-2*

• **TUNING FOR POWER:**

1. Aftermarket tuning may be used with this intake manifold.
3. Use modified or high performance cylinder heads such as our Performer LT1 or Performer LT4.
4. Installation of aftermarket headers, camshafts or both may require ECU tuning, and may affect emissions.

- **CAMSHAFT AND HEADERS:** Performer RPM Air-Gap manifolds are compatible with aftermarket camshafts and headers. Header primary tube diameter should be 1-5/8" to 1-3.4" depending on the specific engine combination. Edelbrock has developed a camshaft for use with this intake manifold on 1992-1997 LT1 engines; Performer RPM #2108 (Will also fit LT4). Please check the catalog or website for rpm and application guidelines.

Edelbrock Corporation • 2700 California St. • Torrance, CA 90503  
Tech-Line: (800) 416-8628 • E-Mail: Edelbrock@Edelbrock.com

## Free Manuals Download Website

<http://myh66.com>

<http://usermanuals.us>

<http://www.somanuals.com>

<http://www.4manuals.cc>

<http://www.manual-lib.com>

<http://www.404manual.com>

<http://www.luxmanual.com>

<http://aubethermostatmanual.com>

Golf course search by state

<http://golfingnear.com>

Email search by domain

<http://emailbydomain.com>

Auto manuals search

<http://auto.somanuals.com>

TV manuals search

<http://tv.somanuals.com>