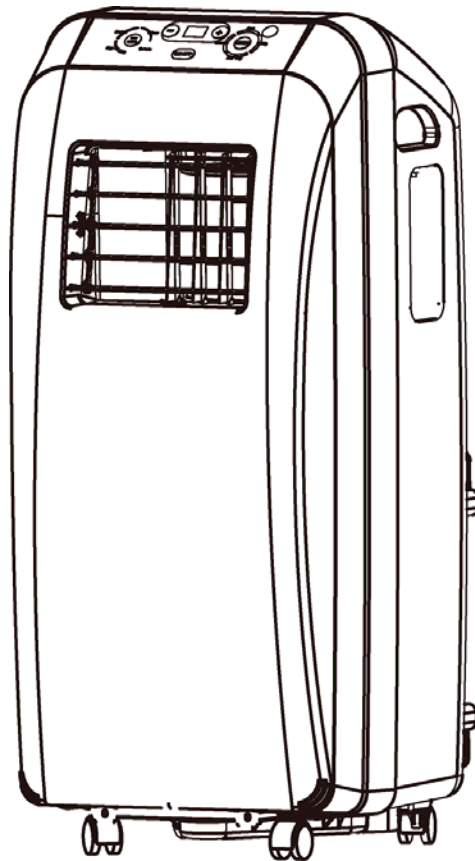




Portable Air Conditioner



Owner's Manual **AP10002BL**

For more information on other great EdgeStar products on the web, go to <http://www.edgestar.com>

Important Safety Information

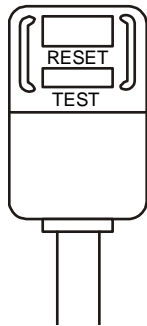
Improper handling can cause serious damage to the appliance and/or to the user. Please read the following safety information.

Electrical Safety

- This unit is designed for indoor use only.
- Do not use the unit in extremely humid or wet environments.
- Do not spray water and wet the housing or control panel.
- Do not pull the unit by the cord.
- Always turn the unit off and unplug it from the outlet when cleaning.
- Unplug the unit if it is not going to be used for a long period of time.
- Do not operate the unit with a damaged plug or a loose socket.
- Use only the correct power supply with appropriate amperage.
- If the power cord is damaged, it must be replaced by the manufacturer, a service agent, or qualified technician.
- Do not remove any part of the casing unless instructed by an authorized technician.

General Safety

- This portable air conditioner is not intended to be used by children.
- Children should be supervised to ensure that they do not play with this product.
- Do not allow children to play with the controls or drop any objects into the air outlets or vents.
- Do not place objects or let any person sit on top of the unit.
- Only use in the upright position on a flat, level surface and provide at least 20 inches of clearance from any walls or objects.
- Route the power cord carefully to avoid a tripping hazard.
- This unit is intended for domestic use only. Do not use the portable air conditioner for industrial or commercial use. Any other use may invalidate the warranty.



Your portable air conditioner is supplied with a Leakage-Current Detection and Interruption (LCDI) safety plug. This device provides protection to reduce the risk of fire due to arcing faults in the power supply cord. Before using your portable air conditioner, follow the instructions below to ensure that the LCDI plug is working properly:

1. Plug the power cord to a grounded outlet.
2. Press the TEST button on the LCDI plug. This should trip the plug and cut the power to the air conditioner. If the plug does not trip and you are able to turn on the unit, please contact EdgeStar support.

DO NOT USE YOUR PORTABLE AIR CONDITIONER IF THE TEST FAILS.

Press the RESET button to start using your air conditioner.

Do not use the TEST and RESET buttons as an ON/OFF switch.

Electrical products should not be disposed of with household waste. Please contact your local recycling center for more information on how to recycle electronic waste.



Table of Contents

IMPORTANT SAFETY INFORMATION	I
INTRODUCTION	1
PARTS IDENTIFICATION	2
FRONT VIEW	2
BACK VIEW	2
PARTS INCLUDED	3
PREPARATIONS FOR INSTALLING THE WINDOW KIT	3
WINDOW KIT INSTALLATION INSTRUCTIONS	4
INSTALLATION OF THE EXHAUST HOSE	6
NOTES ABOUT THE EXHAUST HOSE	7
INSTALLATION OF THE DRAIN HOSE	8
DRAINING THE UNIT	9
INSTALLING THE FILTER	10
OPERATING INSTRUCTIONS	11
CONTROL PANEL OVERVIEW	11
DIRECTIONAL LOUVERS	12
REMOTE CONTROL OVERVIEW	12
REPLACING THE BATTERIES	13
ENERGY SAVING GUIDE	14
MAINTENANCE	15
CLEANING THE UNIT	15
CLEANING THE PRE-FILTER	15
PREPARATION FOR STORAGE	16
TROUBLESHOOTING	17
SPECIFICATIONS	20
EDGESTAR LIMITED WARRANTY	21

Introduction

Thank you for purchasing this EdgeStar portable air conditioner. We are glad you chose us. We believe that your purchase of this product opens a relationship between you and EdgeStar. We will provide the customer support needed to nurture that relationship.

This manual contains important information regarding the proper installation, use and maintenance of your portable air conditioner. Following this manual will ensure that your product will work at its peak performance and efficiency.

Please save the original product packaging in case you need to safely transport your portable air conditioner.

For Your Records:

Please write down the model number and serial number below for future reference. Both numbers are located on the ratings label on the back of your unit and are needed to obtain warranty service. You may also want to staple your receipt to this manual as it is the proof of your purchase, and is also needed for service under your warranty.

Model Number: _____

Serial Number: _____

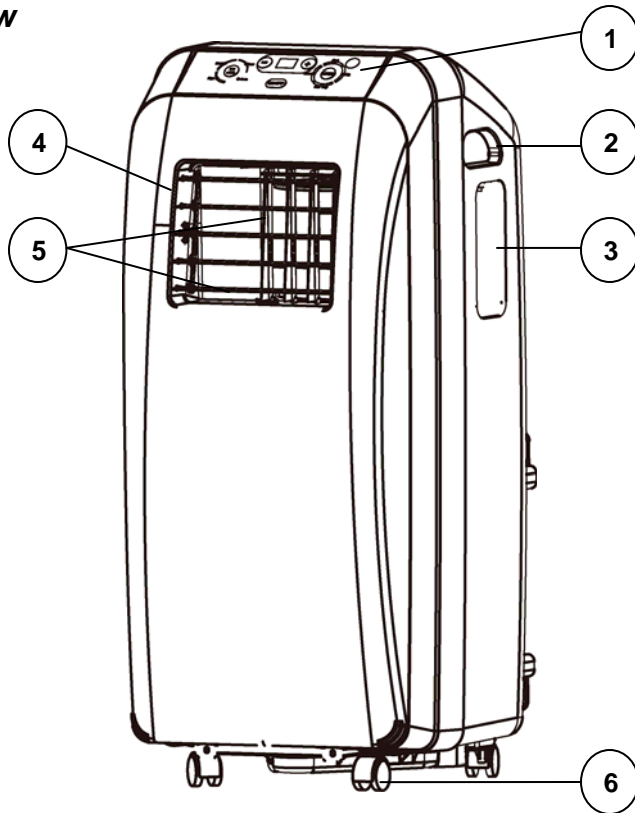
Date of Purchase: _____

To better serve you, please do the following before contacting customer service:

- If you received a damaged product, immediately contact the dealer that sold you the product.
- Read and follow this instruction manual carefully to help you install, use and maintain your portable air conditioner.
- Read the troubleshooting section of this manual as it will help you diagnose and solve common issues.
- Visit us on the web at <http://www.edgestar.com> to register your product, download product guides, additional troubleshooting resources and up-to-date information.
- If you need warranty service, our friendly customer service representatives are available via email at service@edgestar.com or by telephone at **1 (866) 319-5473**.

Parts Identification

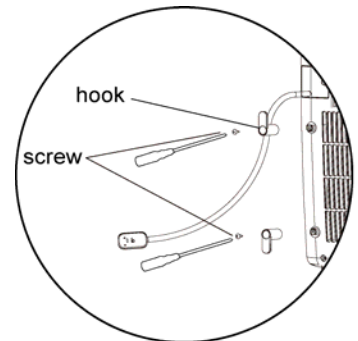
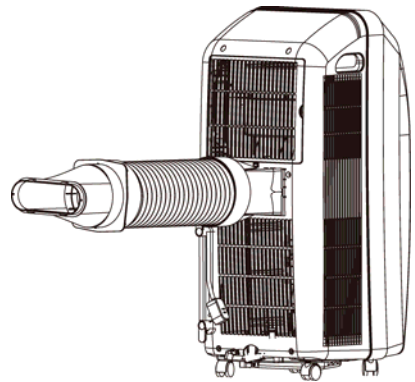
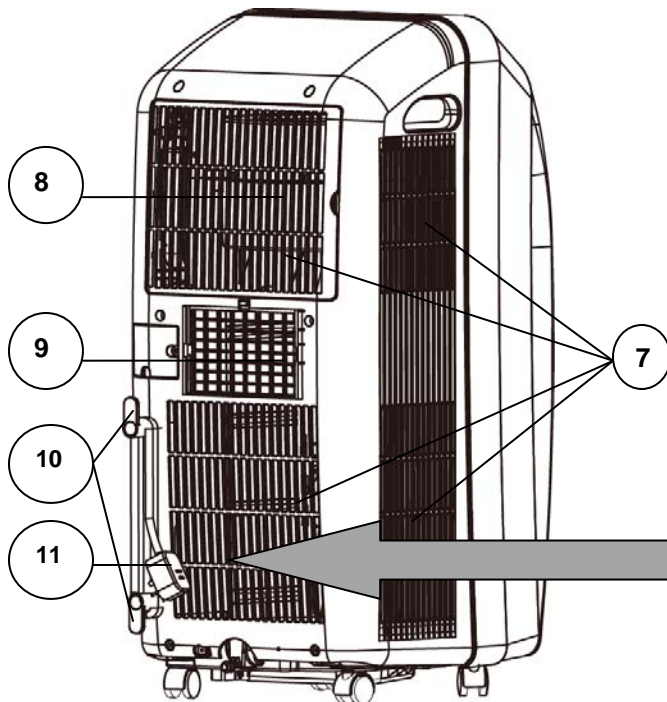
Front View



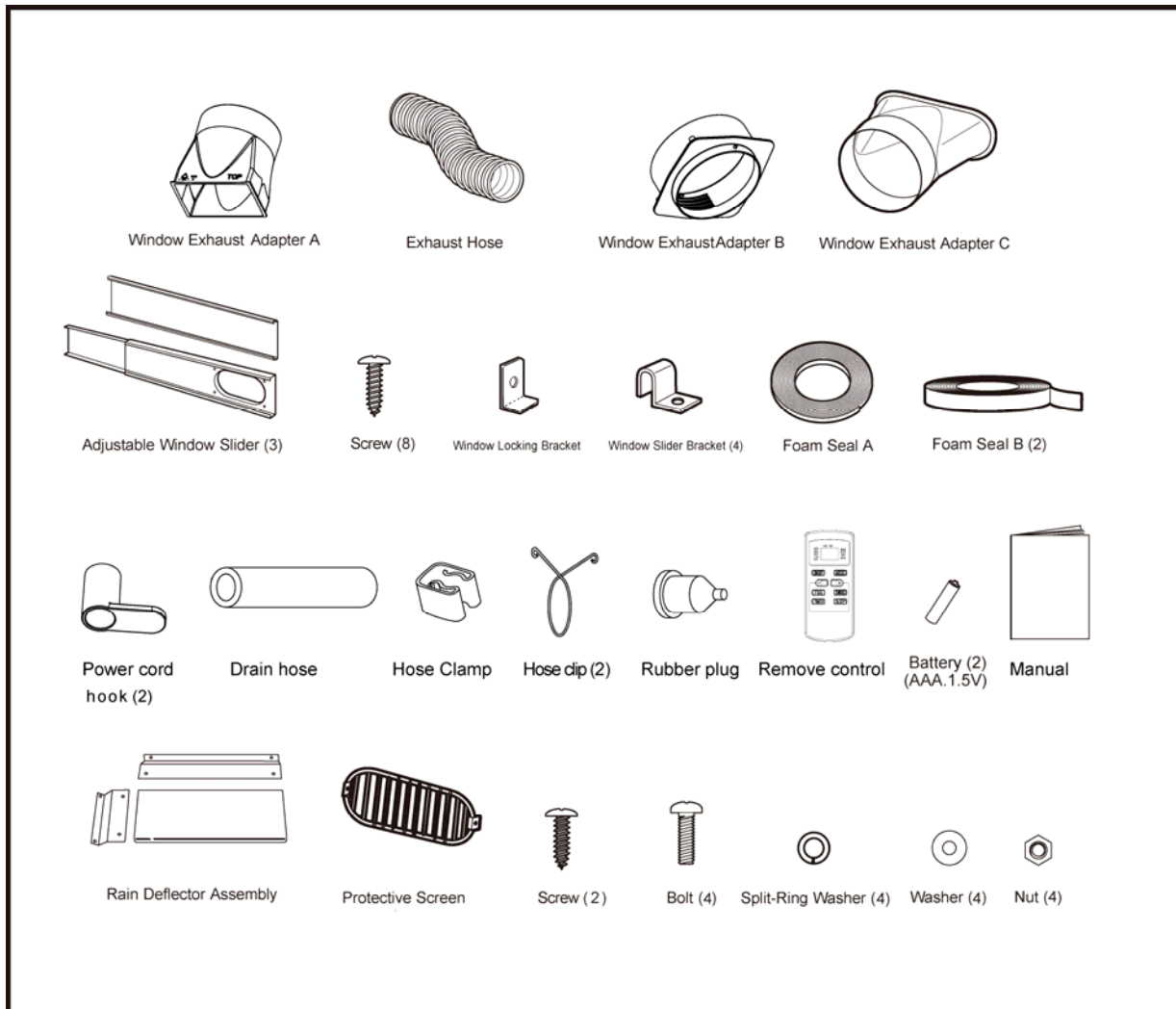
Parts Key:

- 1. Control Panel
- 2. Handle
- 3. Remote Control Holder
- 4. Air Vent
- 5. Louvers (Vertical & Horizontal)
- 6. Castors (4)
- 7. Air Inlet
- 8. Filter Grill
- 9. Air Outlet
- 10. Power Cord Hook
- 11. Power Cord

Back View



Parts Included



Suggested Tools- *Phillips Screw Driver (Medium sized), Tape Measure/Ruler, Scissors, Saw (In the event that your window panel needs to be cut down in size for installation).*

Preparations for installing the window kit

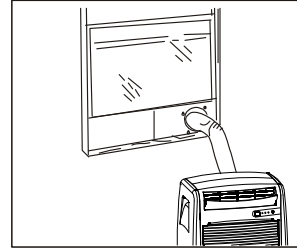
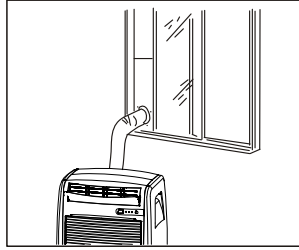
NOTE: You may need to contact your electrician if your room's circuit is not able to power your unit.

You must vent your portable air conditioner when running in it cooling mode. Your unit includes a window exhaust kit that can be used to vent the unit out a window.

Before you begin, make sure you have all the parts necessary for installation.

If you have multiple windows, choose one that is near an electrical outlet that will be able to provide sufficient power to your unit. See the power requirements listed on the product label printed on the side, or on the back of your portable air conditioner.

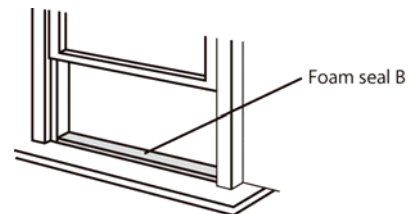
Your window kit can be installed on a horizontal or vertical sliding window as shown in the pictures below.



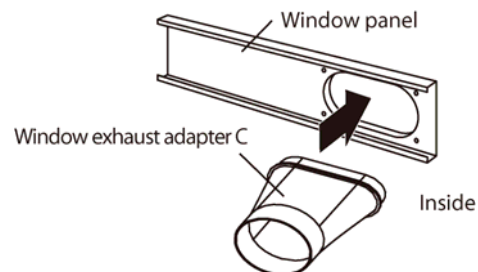
Please follow the installation instructions carefully to avoid personal injury or damage.

Window Kit Installation Instructions

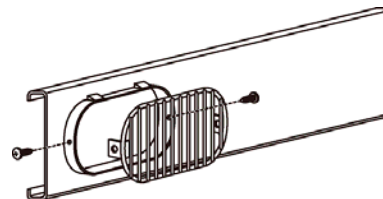
- 1 Cut the foam seal B to the proper length and attach it to the windowsill.



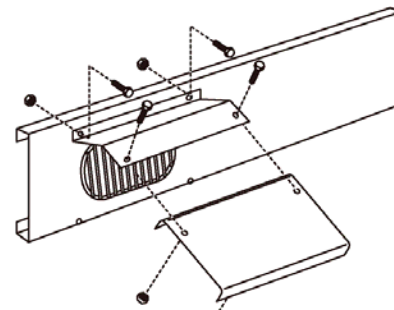
- 2 Attach the window exhaust adapter C to the window panel inside opening.



- 3 Attach the protective screen to the outside of the window exhaust adapter with two screws.



- 4 Install the rain deflector to the outside of the window panel. Line up the holes on the rain deflector and the window panel. Use 4 bolts, 4 washers, 4 split-ring washers and 4 nuts to attach the rain deflector onto window panel.



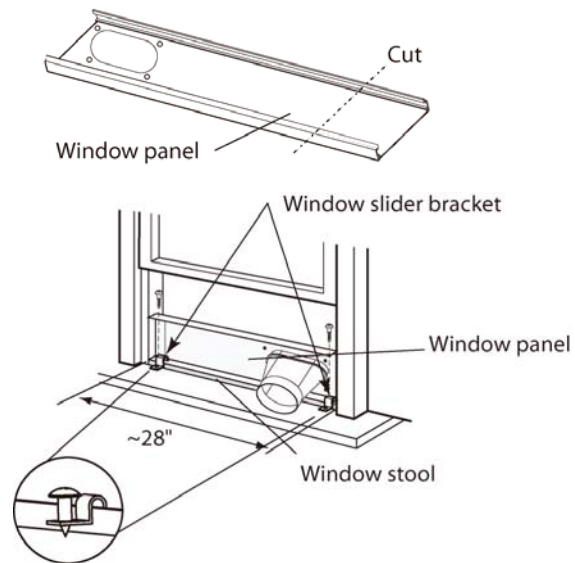
3 Attach the window panel to the window panel

a) If the inner width of the window is less than 28" (718 mm) wide:

1) Remove the adjustment panel from the window panel, and cut the window panel to the same width as the panel.

2) Open the window sash and place the window panel on the windowsill.

3) Secure the window panel to the windowsill.

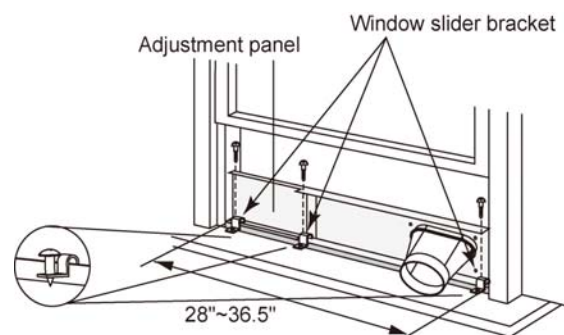


b) If the inner width of the window is between 28" (718mm) and 36.5" (927mm) inclusive:

1) Open the window sash and place the adjustable window panel on the windowsill.

2) Slide the adjustment panel to fit the window frame width.

3) Secure the panel to the windowsill with four large wood screws and four slider brackets.

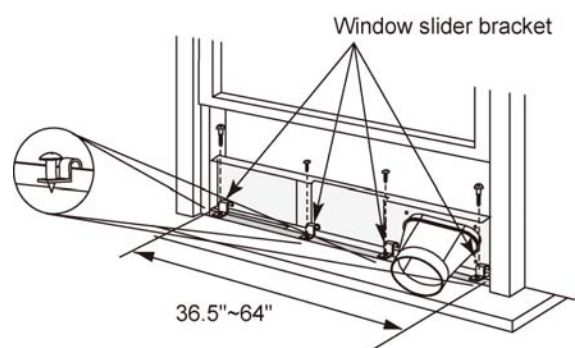


c) If the inner width of the window is between 36.5" (927mm) and 64" (1625mm) inclusive:

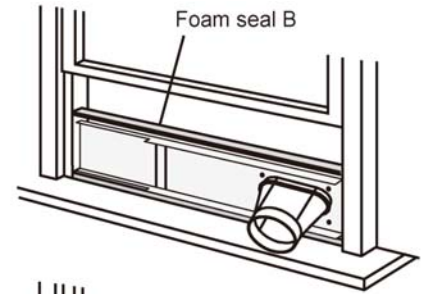
1) Open the window wash and place the extra window panel provided on the windowsill.

2) Slide the adjustment panel to fit the window frame width.

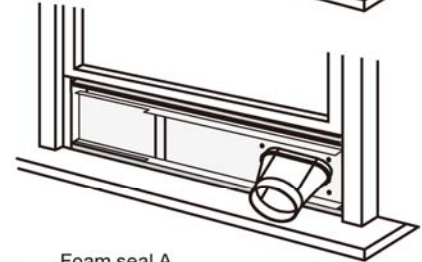
3) Secure the window panel to the windowsill with four large wood screws and four slider brackets.



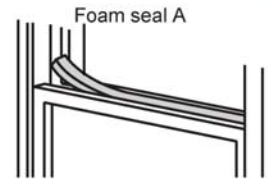
4 Cut the foam seal B to the proper length and attach it to the window panel.



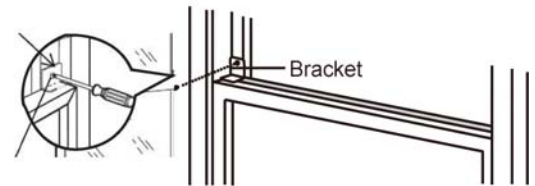
5 Close the window sash securely against the window panel.



6 Cut the foam seal A to an appropriate length between the top of the inner window sash and outer window sash.

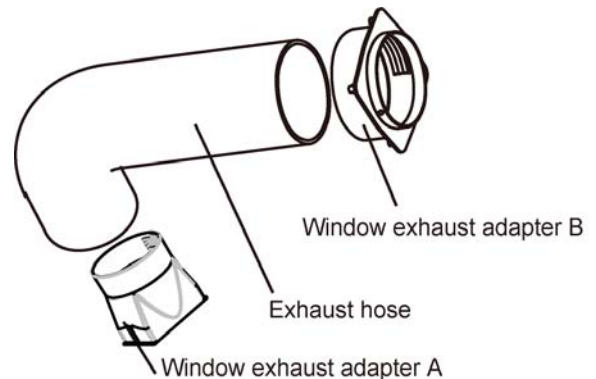


7 Attach the bracket with a screw.

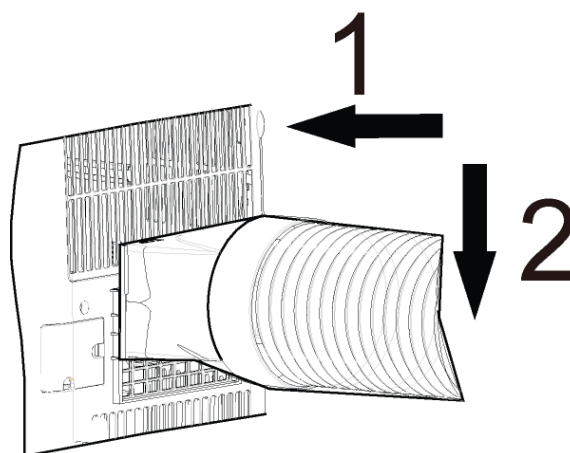


Installation of the Exhaust Hose

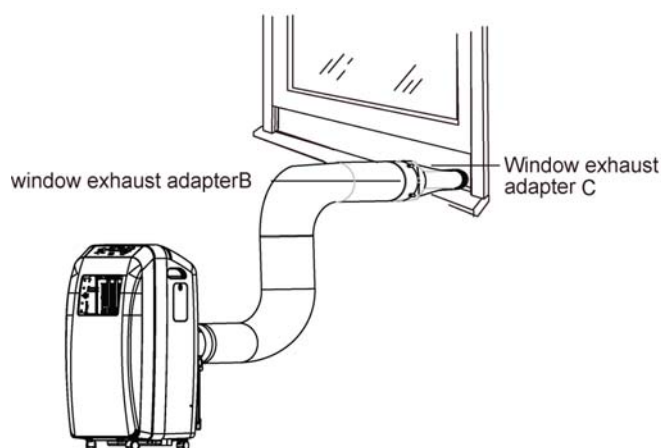
1 Attach the window exhaust adapter B and C to the exhaust hose. Extend both ends of the exhaust hose and insert them into the window exhaust adapter A and B and turn them until they stop. Make sure they are securely attached.



- 2 Attach the window exhaust adapter A to the unit. Insert the two projections on the window exhaust adapter A into the two holes on the unit and firmly attach them to each other by sliding the adapter down until it clicks. To remove please make sure to push down on the two projections and lift up.



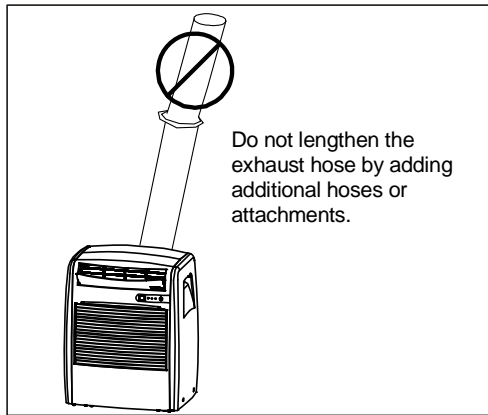
- 3 Attach the hose. Insert the window exhaust adapter B to the window exhaust adapter C in the window panel and turn it to lock it in place.



Notes about the Exhaust hose

Your portable air conditioner is designed to exhaust condensate water that is collected from the air. This water, in either gaseous or droplet form, will be expelled out the exhaust port of the unit. Please take this into account when deciding how to vent it.

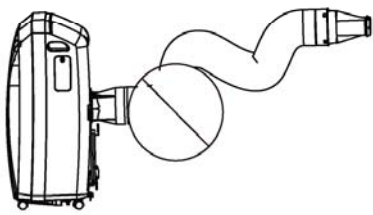
1. The exhaust hose supplied with the portable air conditioner can be extended up to 48 inches; however for maximum efficiency, use the shortest length possible.
2. Try to prevent any kinks or bends in the exhaust hose. Kinks or bends may trap exhaust air which can radiate heat into the room or potentially cause the portable air conditioner to overheat and shut itself off.
3. The exhaust hose supplied with the portable air conditioner has been specifically designed for this air conditioner. Do not lengthen the hose by adding additional hoses or attachments or replace it with any other hose.



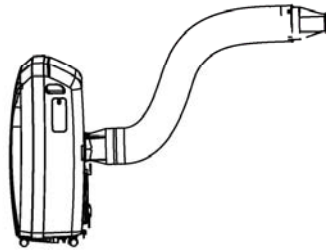
Warning: Longer hoses are not recommended.

The exhaust hose should be as short as possible for operational efficiency however, it must not be twisted or bent.

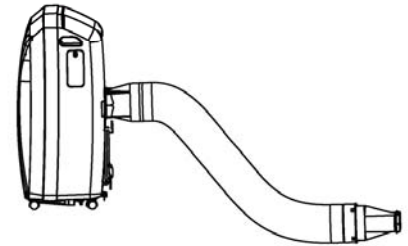
Unacceptable



Acceptable



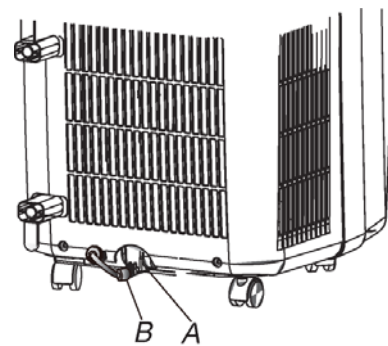
Acceptable



Installation of the Drain Hose

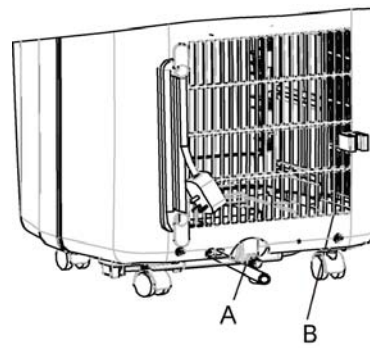
Note: Drainage hose must be installed before using this unit to as not doing so can occur in a block in the drain and prevent the unit from functioning normally.

- 1 Remove the drain cap from drain port.



A. Drain port
B. Drain cap

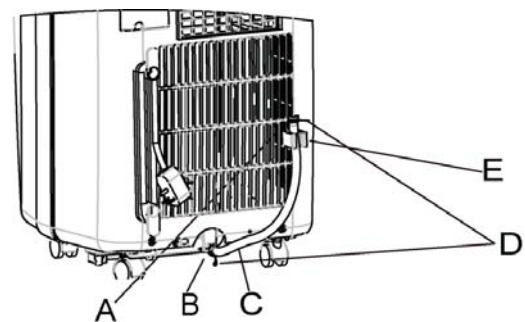
- 2 Attach the drain hose clamp to the back panel of the air conditioner near the drain port with the screw.



A. Drain port
B. Drain hose clamp

- 3 Attach one end of the drain hose to the drain port with the clip provided.

- 4 Insert the rubber plug into the other end of the drain hose and secure clip provided.



A. Rubber plug
B. Drain port
C. Drain hose
D. Drain hose clips
E. Drain hose clamp

Draining the Unit

When the portable air conditioner is in cooling mode, or dehumidify mode, it will remove moisture from the air. The condensed water from the air will be collected in an internal reservoir and will be evaporated and exhausted out of the exhaust hose. However, in very humid conditions, the internal reservoir may fill completely. This causes the air conditioner to turn off to avoid overflowing the internal reservoir. When water tank is full a buzzer will sound eight times and on the LED window will display error code "H8".

Direct drainage

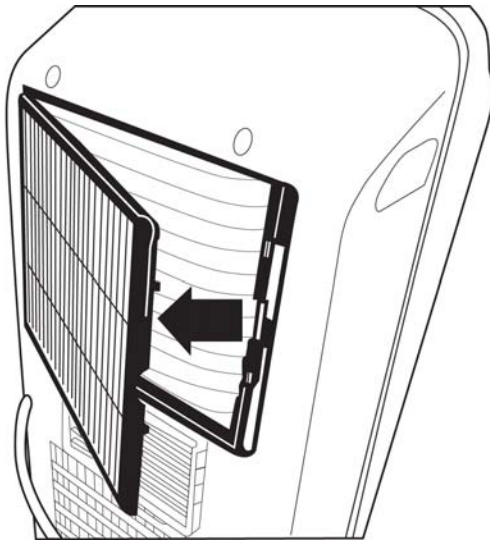
1. Remove the rubber drain plug from the drain port.
2. Connect a drain hose to the drain port.

The portable air conditioner will now drain through the drain hose. Please note that this unit has no drain pump; all water will drain with gravity only, i.e., only "downhill."

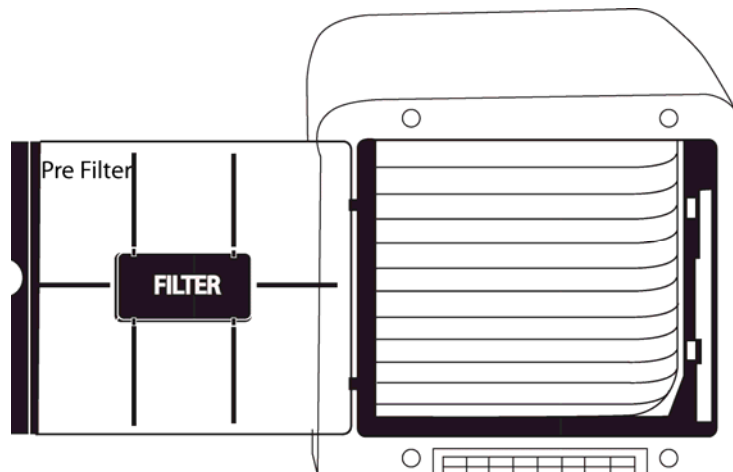
Installing the Filter

Your portable air conditioner ships with a pre-filter. It is recommended you replace the filter every two to three months, or as needed. It is necessary to clean the pre-filter periodically. Follow the steps below to install the carbon filter:

1. Shut off the unit if it is on. In the rear of the unit pull the air filter grille from the side.



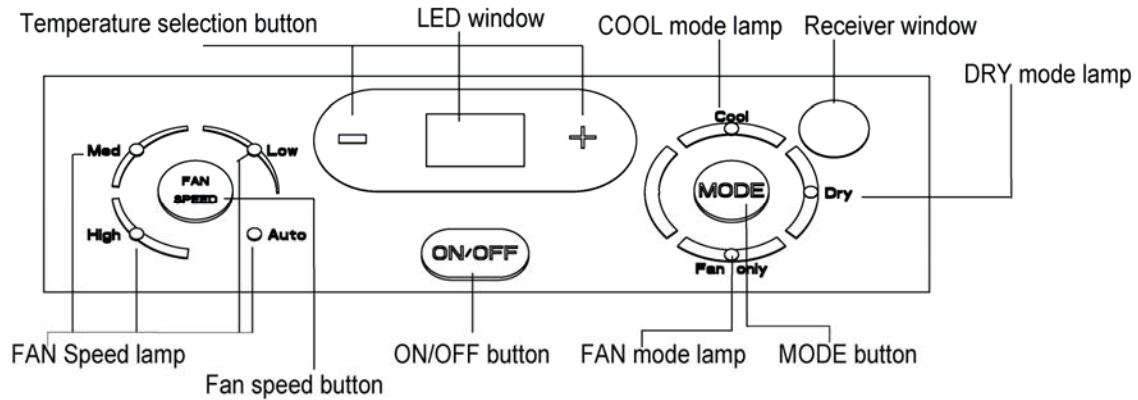
2. Place the carbon filter between the grille and the pre-filter.



3. Close the grille.

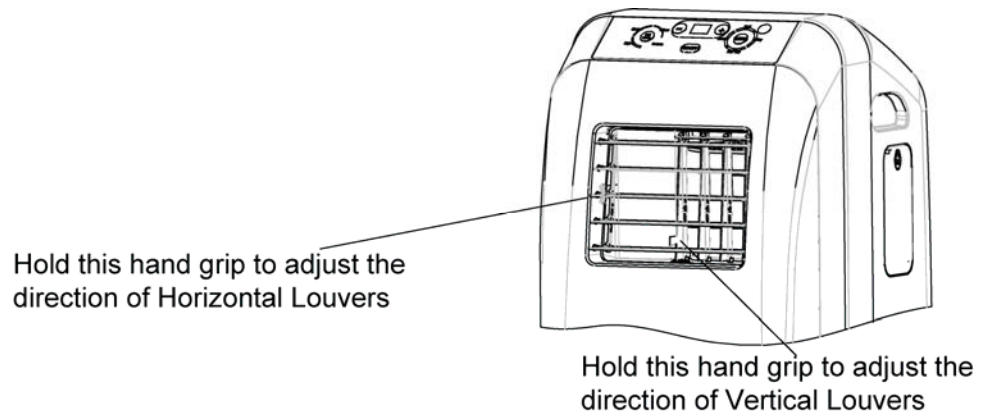
Operating Instructions

Control Panel Overview



On/Off Button	Press the button once to manually turn the unit on. Press once more to turn the unit off.
“+” / “-“ Button	In COOL mode, press “-“once, the set temperature will decrease by 1° degree Fahrenheit. Continue to press to get to desired temperature. Press “+” to increase, follow same instructions as above.
Mode Button	Press MODE button repeatedly to cycle between modes: Cooling, Dry, and Fan Only mode. Each press the MODE button will light up a different light on control panel. <i>Remember that the exhaust hose and window kit must be installed when the unit is in Cool or Dry Mode. It is unnecessary to have them connected if you are on Fan Only mode.</i>
Fan Speed	When the unit is running in Cool or Fan mode, press the Fan speed button to select the fan speed desired. There are four fan speeds, High, Middle, Low, and Auto.
Water Full	When Cool or Dry is running condensation will drain to the water reservoir. When the water tank is full a buzzer will sound eight times indicating to empty. An error code “H8” will also display on LED screen. Please follow instructions on how to drain on page 9.
Louver Direction	This unit has 4-Way directional louvers. Use the louver guides to direct air where cooling or fan is needed most. Hold the louver and adjust the air flow direction as show in diagram on following page.

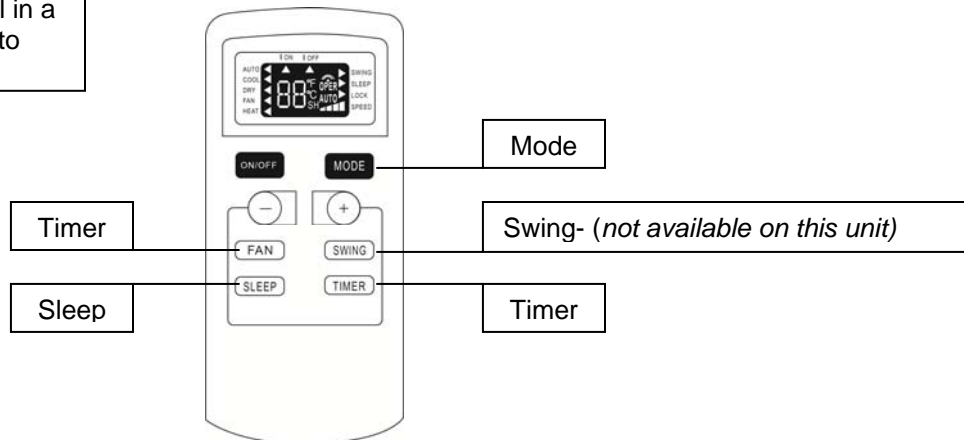
Directional Louvers



Remote Control Overview

NOTES: Be careful not drop the remote control. Do not place the remote control in a location exposed to direct sunlight.

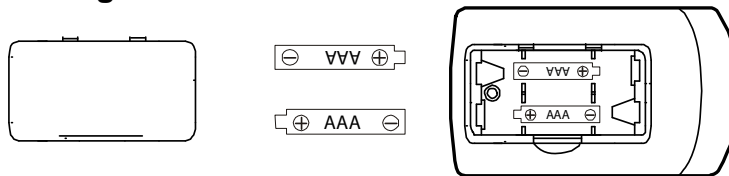
The remote control is used to operate all of your portable air conditioners functions. Use the remote control to change modes, fan speed, timer, and temperature settings and sleep mode.



Button	Function
Power	Powers the unit on or off.
Mode	Changes between cool, dehumidify and fan modes.
Speed	Sets the fan speed between high, medium, or low.
Timer	Used to enable the timer.
Sleep	Used to enable the sleep mode.
▲ Up	Increases the set temperature or the time when the Timer is enabled.
▼ Down	Decreases the set temperature or time when the Timer is enabled.

CAUTION: Use only AAA batteries. Remove the batteries if the remote control will not be used for one month or longer. Do not attempt to recharge batteries not designed to be recharged. All batteries should be replaced at the same time. Do not mix old and new batteries. Do not dispose of batteries in a fire as they may explode.

Installing the batteries



- 1) Remove the cover on the back of the remote control.
- 2) Insert the batteries with the (+) and (-) ends pointing in the correct direction.
- 3) Install the cover on the remote.

NOTE: The exhaust hose must be used in cooling mode in order to cool a room.

Cooling Mode:

Cooling mode cools and dehumidifies the air. If the ambient temperature drops below the temperature you selected, the compressor turns off and the unit functions with the fan only. When the temperature rises above the temperature you selected, the compressor turns on again.

Whether your desired temperature can actually be reached depends on the ambient conditions. The room temperature remaining above the set temperature is normal.

To operate the unit in cooling mode:

- 1) Make sure the power cord is plugged into a power outlet.
- 2) Press the Power button on the remote.
- 3) Press the Mode button until the Mode Indicator Light on the Control Panel turns blue.
- 4) Select the fan speed by using the Speed button.
- 5) Set the thermostat by using the Up and Down buttons. The thermostat is adjustable between 61°F - 86°F in one degree increments.

Fan Only Mode:

Fan Only mode is used to circulate the air in your room. No temperature setting is needed.

To operate the unit in Fan Only mode:

- 1) Make sure the power cord is plugged into a power outlet.
- 2) Press the Power button on the remote.
- 3) Press the Mode button until the Mode indicator light turns green.
- 4) Press the Speed button to select the fan speed. You can choose between High, Medium and Low. The LED indicator next to the speed will light up.

NOTE: Fan Only mode does not require that the exhaust hose be attached.

Timer:

The timer can be used to either turn the unit on or off after a number of elapsed hours. The timer is adjustable between 0.5-24 hours in one hour increments. .

How to set the unit to automatically turn on:

- 1) Press the Timer button on the remote control while the unit is powered off.
- 2) Use the Up and Down buttons on the remote to set the time (displayed in hours) you want to pass before the unit turns on. After the selected time passes, the unit will automatically turn on.

How to set the unit to automatically turn off:

- 1) Press the Timer button on the remote control while the unit is powered on. The Timer indicator LED will light up
- 2) Use the Up and Down buttons on the remote to set the time (displayed in hours). The unit will automatically turn off after the selected time elapses.

Sleep:

Press this button, Sleep On and Sleep Off can be selected. After powered on, Sleep Off is defaulted. After the unit is turned off the Sleep Function is canceled. After function set up, the signal of Sleep will display. In this mode the time of the timer can be adjusted. Under Fan/Auto Mode, this function is not available.

Energy Saving Guide

Read and follow the guide below to get the best performance and efficiency from your portable air conditioner:

- Do not cover the air outlet (exhaust) while in use.
- Do not place the unit in front of curtains or drapes- to ensure they do not obstruct the air intake.
- Minimize the length of the exhaust hose.
- Make sure the exhaust hose is as straight as possible and avoid kinks or bends.
- Keep curtains, blinds or drapes closed during the sunniest part of the day.
- Use the timer to operate the unit before it is needed. For example, set the timer to turn on the unit in cooling mode for 3 or more hours to cool the room before you arrive. You may want to operate the unit all day if you live in a warmer climate.
- Minimize the heat sources (direct sunlight, computers, servers, people, etc.) in the room.
- Close all windows and doors.
- Use the unit in a contained room. For example, a room with four walls and a ceiling, instead of a partitioned studio, or warehouse.
- Make sure the unit is on a level surface.

- Minimize the amount of humidity in the room. For example, run the unit as a dehumidifier.
- To prolong the compressor's life, please wait at least 3 minutes before turning the unit back on after shutting it off.
- Inspect and keep the pre-filters clean by cleaning regularly.
- Inspect and replace the activated carbon filters regularly.
- Perform routine maintenance.

Maintenance

Clean the air conditioner and filters regularly to maximize performance and efficiency, and prolong the unit's life. Be sure to always unplug the air conditioner from the power outlet before cleaning.

Cleaning the unit

Use a soft dry cloth to wipe the body clean. If necessary, use lukewarm water to dampen a cloth to clean the unit. Use a soft bristle brush to clean between the vents. Carefully use a vacuum cleaner to clean the condenser coils.

Never use abrasive chemicals, volatile substances, gasoline, detergents, chemically treated cloths, or other cleaning solvents that may damage the cabinet exterior.

Never spray water directly on the unit.

Cleaning the pre-filter

To clean the pre-filter, follow the steps below:

- 1) Power off the unit and remove the pre-filter.
- 2) Remove the activated carbon filter.
- 3) Use a vacuum cleaner or tap the filter lightly to remove loose dust and dirt, then rinse thoroughly under lukewarm running water (below 104°F). You may use a mild soap and water solution if needed. Allow the pre-filter to air dry in a cool and shaded place. Dry thoroughly before reinstalling.

Clean the pre-filter periodically. If the unit is used in a dusty environment you may need to clean it on a weekly basis.

Warning: Never operate the unit without the pre-filter.

NOTE: Filters should be replaced every 2-3 months or as needed. Contact EdgeStar retailers for replacement filters.

Preparation for Storage

If you are not going to be using the unit for an extended period of time, follow the instructions below before storing your unit:

- 1) Drain all the water from the unit's reservoir. Operate the unit in fan mode for a few hours to thoroughly dry any moisture left on the coils inside the unit.
- 2) Power off the unit, and clean or change the filters.
- 3) Unplug and carefully wind the power cord.
- 4) Remove the exhaust hose and duct connectors and keep them in a safe place.

Troubleshooting

Follow the troubleshooting guide below to resolve common issues.

Issue	Possible Cause	Solution
My air conditioner is not functioning at all.	Unit is not receiving power.	Make sure the unit is plugged in to a grounded outlet.
	LCDI power cord is tripped.	Press the Reset button on the LCDI cord.
	Insufficient power.	Move the unit to another outlet. Check your circuit breaker. (Refer to the rating label on the back of the unit to determine the Amperage draw).
	Water reservoir is full.	Drain the unit and restart.
	Control panel is disconnected.	If no indicator lights turn on, contact customer service.
My remote control does not work and the indicator light on remote does not turn on.	Batteries not installed.	Install new batteries.
	Bad batteries.	Replace the batteries.
	Batteries installed incorrectly.	Reinstall the batteries correctly.
	A defective remote control.	Contact customer service.
My air conditioner is making a loud noise.	The unit is not level.	Make sure the unit is on a level surface.
	A foreign object has jammed the fan.	Remove the object from the fan.
	The floor below the unit is uneven.	Move the unit to a level surface.
My air conditioner is making a continuous metallic knocking or pinging sound.	Unit may have been shipped on its side.	Shut off the unit. Let the unit sit on a level surface for at least 24 hours and restart.
	Damaged compressor.	Contact customer service.
My air conditioner is leaking.	Drain plug is removed.	Attach the drain plug.
	Cracked base pan.	Contact customer service.
My air conditioner runs for a little while and then it trips the power cord or the circuit breaker.	The air conditioner may be plugged into an outlet that can not supply the correct amount of current.	Contact an electrician if the unit works in a different room or circuit.
The control panel lights blink randomly.	Unit may have a faulty control panel.	Contact customer service.
No air comes out the left side of the air vent.	The unit is designed to blow air from the right.	This is normal operation.

Issue	Possible Cause	Solution
My air conditioner is not cooling at all.	Unit is not operating in cooling mode.	Set the unit to be in cooling mode, and lower the set temperature (pg. 13).
	The compressor is not on.	The compressor may take up to 3 minutes to turn on, or longer if it is too warm.
	The ambient temperature is too high.	Lower the room temperature to be below 90°F degrees.
	The filter may be dusty or blocked.	Clean the filters. (pg. 16)
	Blocked exhaust port.	Remove any obstructions in the exhaust hose and port.
My air conditioner blows cold air, but does not lower the room temperature.	The unit is not vented.	The unit must be vented. (pg. 4)
	The area of the room is too large.	Minimize the size of the area to be cooled, i.e. adding a drop ceiling. Use more than one unit to cool the area, or use a larger unit.
	Open windows and doors.	Close any open doors and windows.
	Too many heat sources.	Remove or shut off additional heat sources such as radio equipment, servers, etc.
	The room/garage may be inadequately insulated.	Properly insulate the room to be cooled, i.e. using fiberglass.
	The ambient temperature is too high.	The unit may not work if the room temperature is above 90°F.
	Direct sunlight is heating the room.	Close curtains or pull down blinds, and minimize the direct sunlight into the room.
	The filter may be dusty or blocked.	Clean the filter and replace it if needed.
	Dirty condenser coils.	Carefully vacuum the coils clean.
	Obstructed air intake or exhaust ports.	Remove anything blocking the ports.

TIP: Run the unit before it is needed. For example, run the unit in the morning before the area gets hot, and continue to run the unit all day long in order to maintain a low temperature.

Issue	Possible Cause	Solution
My air conditioner is not cooling at all.	Unit is not operating in cooling mode.	Set the unit to be in cooling mode, and lower the set temperature (pg. 13).
	The compressor is not on.	The compressor may take up to 3 minutes to turn on, or longer if it is too warm.
	The ambient temperature is too high.	Lower the room temperature to be below 90°F degrees.
	The filter may be dusty or blocked.	Clean the filters. (pg. 16)
	Blocked exhaust port.	Remove any obstructions in the exhaust hose and port.
My air conditioner blows cold air, but does not lower the room temperature.	The unit is not vented.	The unit must be vented. (pg. 4)
	The area of the room is too large.	Minimize the size of the area to be cooled, i.e. adding a drop ceiling. Use more than one unit to cool the area, or use a larger unit.
	Open windows and doors.	Close any open doors and windows.
	Too many heat sources.	Remove or shut off additional heat sources such as radio equipment, servers, etc.
	The room/garage may be inadequately insulated.	Properly insulate the room to be cooled, i.e. using fiberglass.
	The ambient temperature is too high.	The unit may not work if the room temperature is above 90°F.
	Direct sunlight is heating the room.	Close curtains or pull down blinds, and minimize the direct sunlight into the room.
	The filter may be dusty or blocked.	Clean the filter and replace it if needed.
	Dirty condenser coils.	Carefully vacuum the coils clean.
	Obstructed air intake or exhaust ports.	Remove anything blocking the ports.

Specifications

Description of product	Portable Air Conditioner
Model	AP10002BL
Voltage/Frequency	AC 115V~60Hz
Input Power	1120W
Current	9.0 A
Color	Black
Coolant	R-410A
Timer	24 Hour
Dimensions WxHxD	13 3/8" x 30 11/16" x 15 1/2"
Weight	52.9 lbs

EdgeStar Limited Warranty

One (1) Year Parts & Ninety (90) Days Labor

This product is warranted by EdgeStar to be free from defective workmanship and materials, subject to any conditions set forth as follows:

WHAT IS COVERED:

LABOR: For a period of NINETY (90) DAYS from the date of original purchase, labor will be performed free of charge at an authorized EdgeStar repair facility. At its option, EdgeStar will repair the product with new or remanufactured parts, or exchange the defective product with a new, refurbished, or remanufactured product. If a product is replaced, it will carry the remaining warranty of the original product. After the ninety (90) day period, EdgeStar will no longer be responsible for labor charges incurred. All defective products and parts covered by this warranty will be repaired or replaced on a mail-in basis to an EdgeStar authorized repair facility.

PARTS: For a period of ONE (1) YEAR from the date of original purchase, EdgeStar will supply new, rebuilt, or refurbished parts free of charge. EdgeStar may request a defective part be returned in exchange for the replacement part. All replacement parts or products will be new, remanufactured, or refurbished. All products and parts replaced by EdgeStar under warranty service become the property of EdgeStar.

This warranty applies to the original purchaser only, and only covers defects in workmanship experienced during operation of the product under normal service, maintenance, and usage conditions. This warranty applies to the purchase and use of this product in residential settings within the United States of America.

WHAT IS NOT COVERED:

The following limitations apply to the coverage of this warranty. This warranty does not cover:

- Labor charges for installation, setup or training to use the product.
- Shipping damage, and any damage caused by improper packaging for shipment to an authorized service center, and any damaged caused by improper voltage or any other misuse, including abnormal service, handling, or usage.
- Cosmetic damage such as scratches and dents.
- Normal wear and tear on parts or replacement of parts designed to be replaced, e.g. filters, cartridges, batteries.
- Service trips to deliver, pick-up, or repair, install the product, or to instruct in proper usage of the product.
- Damages or operating problems resulting from misuse, abuse, operation outside environmental specifications, uses contrary to instructions provided in the owner's manual, accidents, acts of God, vermin, fire, flood, improper installation, unauthorized service, maintenance negligence, unauthorized installation or modification, or commercial use.
- Labor charges incurred 91 days or more after the date of original purchase.
- The use of EdgeStar products in commercial settings.
- Optional accessories, attachments, and appearance items.
- Products that have been modified to perform outside of specifications without the prior written permission of EdgeStar.
- Products lost in shipment, or theft.
- Products sold AS IS or from an unauthorized reseller.
- Products that have had their serial numbers removed or defaced. Products with serial numbers that have been invalidated.

OBTAINING WARRANTY SERVICE:

If you believe your product is defective, contact EdgeStar Customer Support for troubleshooting assistance and warranty service at 1-866-319-5473. Please have your serial number and proof of purchase available. Once an EdgeStar authorized representative has confirmed that your product is defective and eligible for warranty service, the product must be returned to an EdgeStar repair facility. The purchaser is solely responsible for prepaying all shipping related costs to and from the repair facility. EdgeStar is not responsible for damage resulting from shipper mishandling or improper packaging. Do not return a defective product to the place of purchase. Products received without a return authorization number will be refused.

THIS WARRANTY IS IN LIEU OF ANY OTHER WARRANTY, EXPRESS OR IMPLIED, INCLUDING WITHOUT LIMITATION, ANY WARRANTY OF MERCHANTABILITY OR FITNESS FOR A PARTICULAR PURPOSE. TO THE EXTENT ANY IMPLIED WARRANTY IS REQUIRED BY LAW, IT IS LIMITED IN DURATION TO THE EXPRESS WARRANTY PERIOD ABOVE. NEITHER THE MANUFACTURER NOR ITS DISTRIBUTORS SHALL BE LIABLE FOR ANY INCIDENTAL, CONSEQUENTIAL, INDIRECT, SPECIAL, OR PUNITIVE DAMAGES OF ANY NATURE, INCLUDING WITHOUT LIMITATION, LOST REVENUES OR PROFITS, OR ANY OTHER DAMAGE WHETHER BASED IN CONTRACT, TORT, OR OTHERWISE. SOME STATES DO NOT ALLOW THE EXCLUSION OF INCIDENTAL OR CONSEQUENTIAL DAMAGES, SO THE ABOVE EXCLUSION MAY NOT APPLY TO YOU. THIS WARRANTY GIVES YOU SPECIFIC LEGAL RIGHTS. YOU MAY HAVE OTHER RIGHTS THAT VARY FROM STATE TO STATE.

Free Manuals Download Website

<http://myh66.com>

<http://usermanuals.us>

<http://www.somanuals.com>

<http://www.4manuals.cc>

<http://www.manual-lib.com>

<http://www.404manual.com>

<http://www.luxmanual.com>

<http://aubethermostatmanual.com>

Golf course search by state

<http://golfingnear.com>

Email search by domain

<http://emailbydomain.com>

Auto manuals search

<http://auto.somanuals.com>

TV manuals search

<http://tv.somanuals.com>