



**AP410W**  
**Portable Air Conditioner**  
**Owner's Manual**

This owner's manual provides instructions on safe installation, use, and maintenance. Please read it carefully and save it for reference.



## Table of contents

Table of contents	1
Thank you	2
Energy saving tips	2
Notes	2
Specifications	3
Safety precautions	3
Parts	5
Front view	5
Rear view	5
Accessories	6
Installation	7
Installing the exhaust hose	7
Window installation	8
Wall installation	9
Notes	10
Control panel	11
LED indicators	11
Buttons	12
Remote control	12
Setting up the remote control	12
Notes	12
Caution	13
Remote control functions	13
Regulating airflow direction	15
Manual drainage	16
Drain parts	16
Draining with the drain tray	16
Direct drainage	17
Maintenance	17
Notes	17
Cleaning the Exterior	17
Cleaning the condenser coils	17
Prefilter and charcoal filter	17
Notes	17
Installing the charcoal filter	18
Cleaning the prefilter	18
Long term storage	18
Troubleshooting	19
Limited warranty	22

## **Thank you**

Thank you for purchasing an EdgeStar portable air conditioner. Rest assured that all EdgeStar products are designed and manufactured to the highest standards. We would like you to be able to fully utilize all features of this portable air conditioner, so please take the time to read this owner's manual in full prior to using the unit.

## **Energy saving tips:**

1. Use the portable air conditioner for the recommended room size. Rooms that are too small can cause the unit to short cycle and work inefficiently. Rooms that are too large will never cool completely.
2. Be careful not to obstruct the air flow coming out of the portable air conditioner. A powerful, unobstructed airflow is crucial for optimum cooling.
3. Keep blinds and curtains closed during the sunniest part of the day.
4. Clean the pre-filter often, and replace the activated carbon filter as needed (it should be replaced twice a year under normal conditions).
5. Close your fireplace damper, floor grills, and wall grills to prevent cool air from escaping.
6. Avoid opening doors frequently
7. Note that each additional person in room adds between 100-150 BTU of heat, so the more people in a room, the more cooling capacity is required
8. Set the portable air conditioner to maximum cooling and high speed airflow when you first start it up, and then adjust the unit to a comfortable setting.

## **Notes:**

The portable air conditioner must be plugged into an appropriate power outlet. Refer to the rating label on the back of the unit for more information.

The portable air conditioner is a compressor-driven cooling system. The air conditioner has an anti-overheating safety feature that can delay the compressor from starting for three minutes after the air conditioner turns on or when a mode change is made. If the compressor does not immediately start, it is likely because of this feature. To protect the compressor from overheating or freezing, it will only operate when the ambient temperature is between 61° and 97°F.

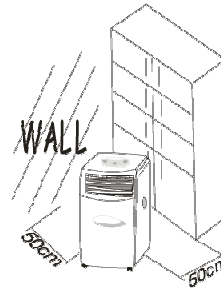
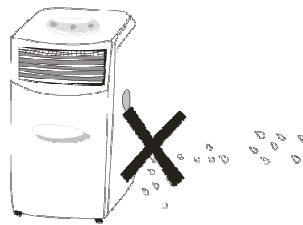
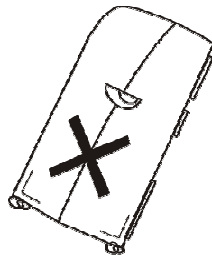
Always unwind the power cord completely before use.

Please note that in Cooling, Auto, and Dry modes, the exhaust hose must be used.

When switching into the Cooling mode, cooling may be temporarily delayed as the unit cools down.

Specifications	
Model	AP410W
Maximum Room Size (cooling)*	400 ft <sup>2</sup>
Power consumption for cooling mode	1000W
Air flow	212 ft <sup>3</sup> /m
Humidity removal capacity	2.11 p/h
Noise level	<54 dbA
Power supply	115V/ 60Hz
Compressor	Rotary
Refrigerant	R-22
Refrigerant Load	15.2 oz
Timer	1-12 hours
Thermostat	61°-88°F
Net weight	70.5 pounds
Dimensions	29 1/4"h x 15"w x 14 3/4"d
Box dimensions	29 15/16"h x 21"w x 17 3/8"d
*Please note that maximum room sizes are under ideal conditions. Actual cooling performance may vary	

### Safety precautions:

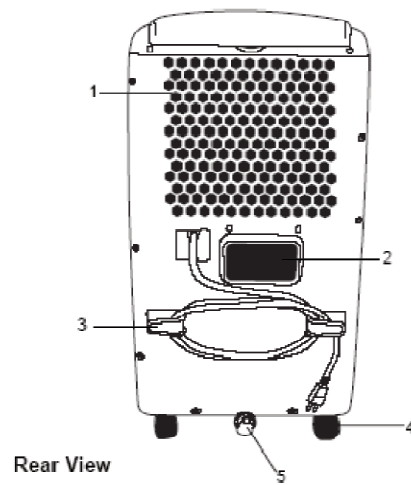
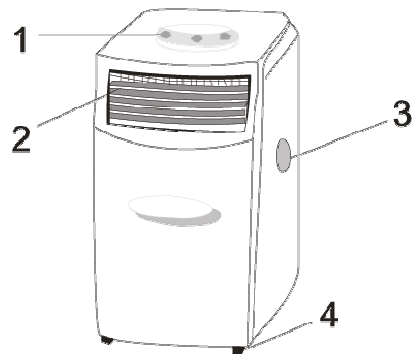


1. Transport the portable air conditioner in an upright position only. If the unit is tipped over, make sure it stands upright for at least 3 hours prior to turning it on.
2. Always place the unit on a level surface.
3. In order to cool, the hot air from the exhaust port in the rear of the portable air conditioner must be exhausted outside the room.
4. Make sure the portable air conditioner is connected to a grounded power outlet.

5. This portable air conditioner is designed to operate in an ambient temperature of 61°-97° F.
6. This portable air conditioner has been designed for residential use.
7. Always turn the portable air conditioner off before unplugging it.
8. Do not damage the power cord.
9. Do not use this portable air conditioner for functions other than those described in this owner's manual.
10. Do not tilt the portable air conditioner.
11. Do not cover or obstruct the intake or outlet grills.
12. Do not use the portable air conditioner in a wet room- such as a bathroom or laundry room- to avoid the possibility of shock.
13. Do not bend or crush the exhaust hose while in use.
14. Do not sit on, or place articles on, the portable air conditioner.
15. Do not touch the portable air conditioner with wet or damp hands
16. Do not let chemical substances come into contact with the portable air conditioner.
17. Do not use the portable air conditioner in the presence of flammable substances or vapors such as alcohol, insecticides, gas, etc.
18. Do not use the plug to start or stop the unit.
19. Do not yank on the electric cord or place it near a source of heat. If the electric cord is damaged, it must be replaced by an authorized service agent.
20. Always use the control panel to start or stop the portable air conditioner.
21. Always allow for air flow around the portable air conditioner of at least 20".
22. Always turn off the portable air conditioner when not in use.
23. Always turn the portable air conditioner off and unplug it after use, before cleaning, before carrying out maintenance, and before moving it.
24. If the electrical socket is different from the plug, have a professionally qualified electrician replace the socket with a suitable one. Do not use adapter plugs, multiple sockets, or extension cords.
25. The filter must be used at all times. When removing the filter for cleaning, turn off the unit and unplug it.
26. Make sure all children are properly supervised around this portable air conditioner.

## Parts

### Front view



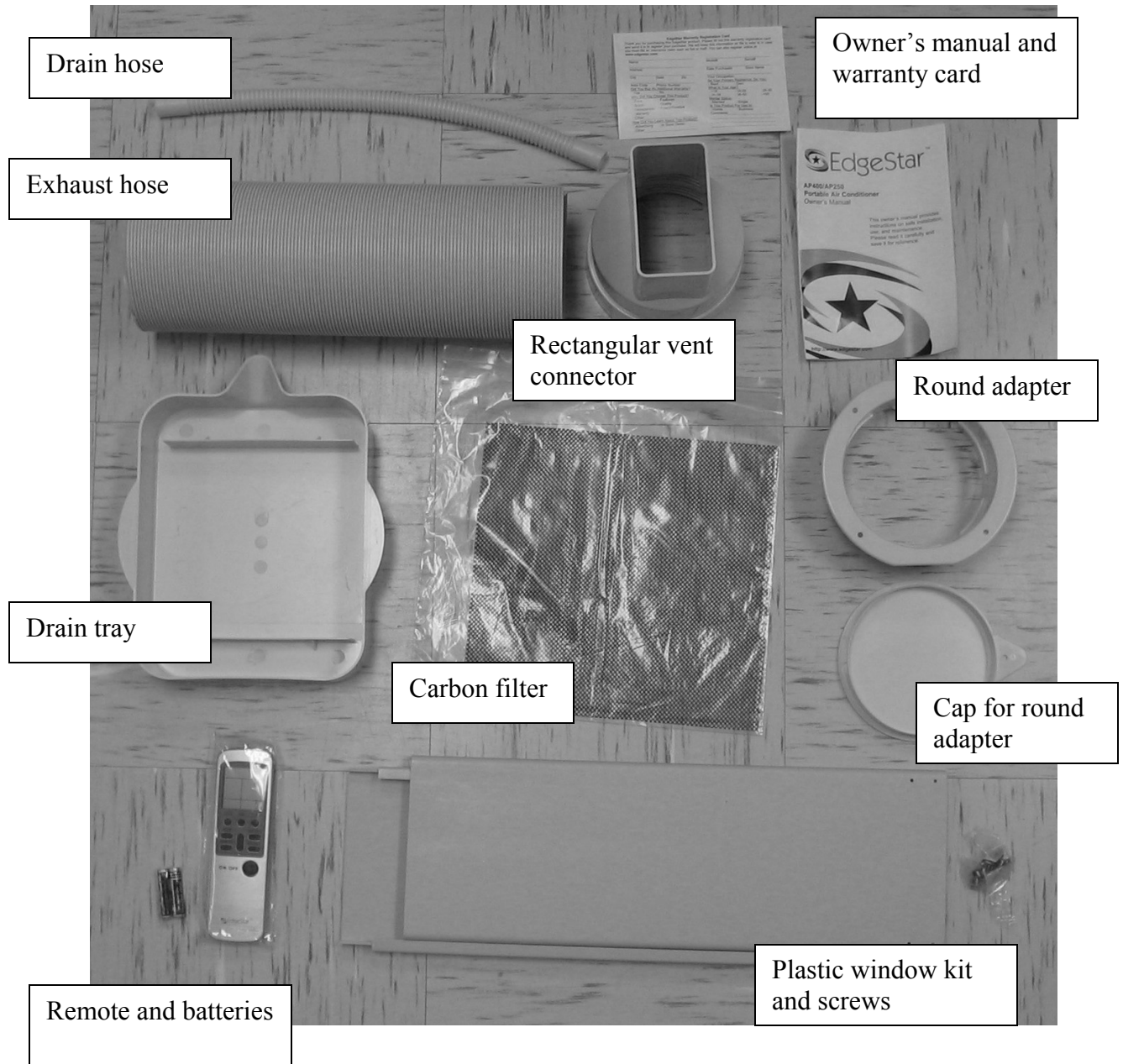
### Front view

1. Control panel
2. Adjustable louvers
3. Carry handles
4. Caster wheels

### Rear view

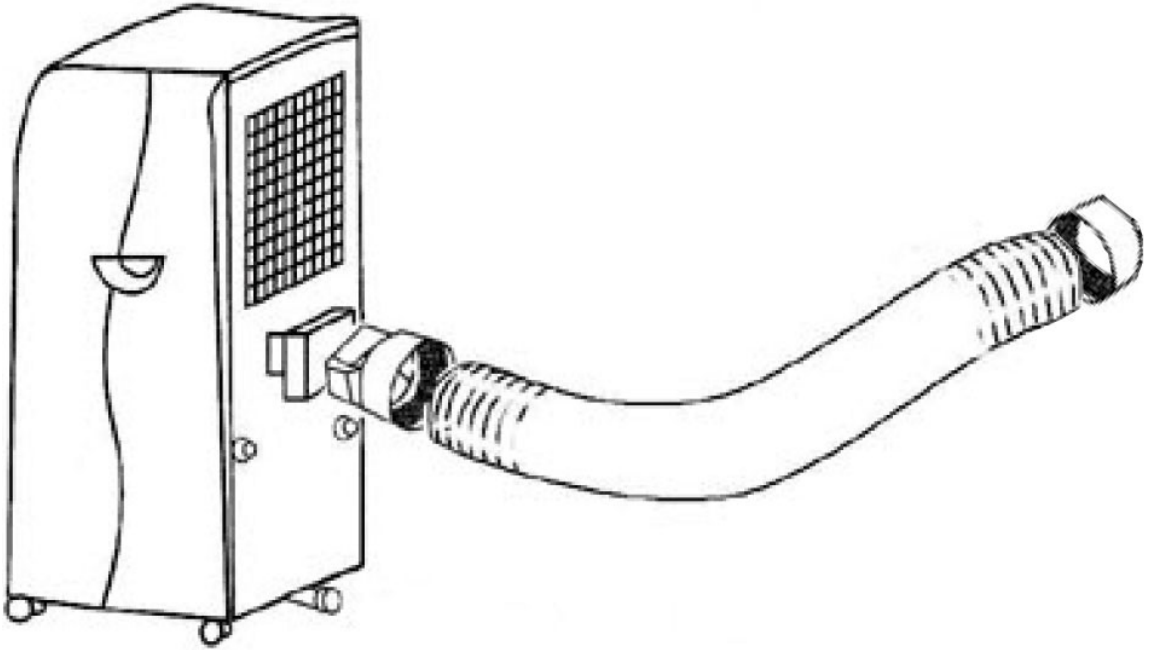
1. Air inlet
2. Exhaust port
3. Power cord hooks
4. Caster wheels
5. Drain plug (a plastic drain cap covers a rubber stopper)

## Accessories



## Installation

### Installing the exhaust hose

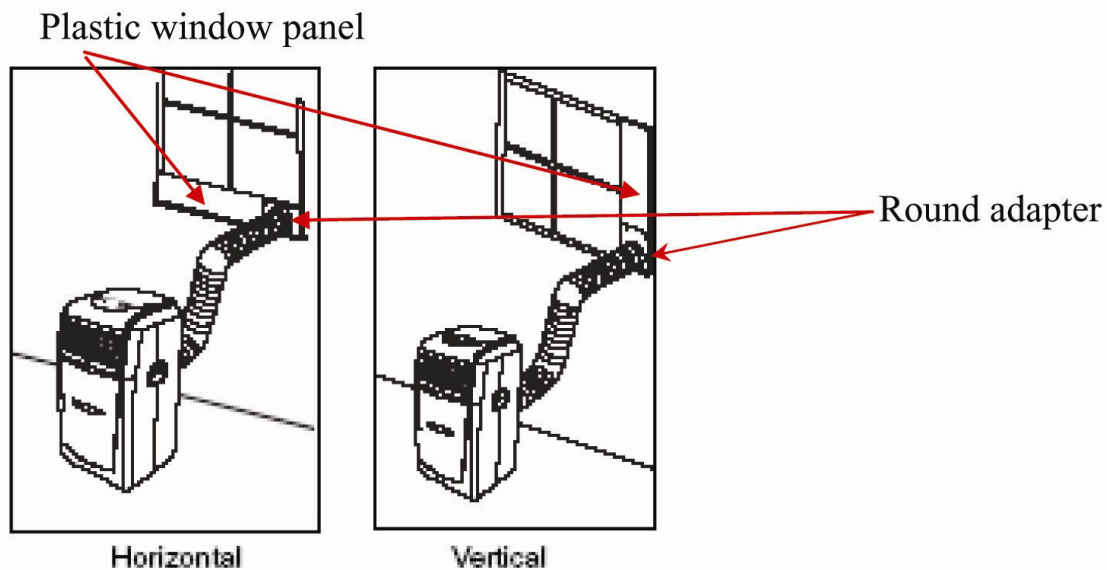


In order to be used effectively, the exhaust hose must be mounted to the back of the unit.

1. Make sure the rectangular vent connector is fitted to one end of the exhaust hose and fit the round adapter to the other end.
2. Insert the rectangular vent connector into the exhaust port on the back of the unit.



## Window installation



This portable air conditioner ships with a plastic window kit for temporary mounting in standard windows. The plastic window kit comes in three sections, and its size is adjustable. If your window is too small to fit the plastic window kit in, the parts may be easily cut to size with a hacksaw.

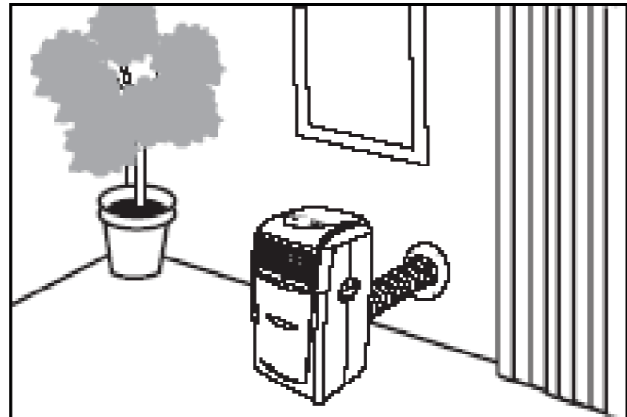
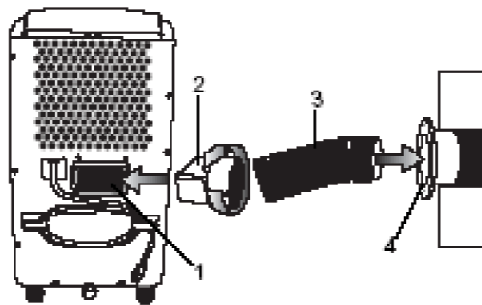
**CAUTION:** Do not attempt to cut the window kit to size unless you are a skilled hacksaw operator and please take all necessary safety measures.

1. Open your window, insert the plastic window kit, and adjust the window kit to the appropriate size.
2. Once you have properly sized the window kit for the window, close the window tightly onto the window kit. You may need to use screws to hold the window kit in place.
3. Position the portable air conditioner near the window, extend the exhaust hose as far as you need to, and place the end of the exhaust hose (which is in the round adapter) into the hole in the window kit.
4. Match up the holes in the round adapter with the holes in the window kit and screw the round adapter to the window kit.

**CAUTION:** Use appropriate safety measures while working with screws or tools.

**CAUTION:** Once the window kit is in place, it is unlikely that your window can then be locked shut. Please take all necessary precautions.

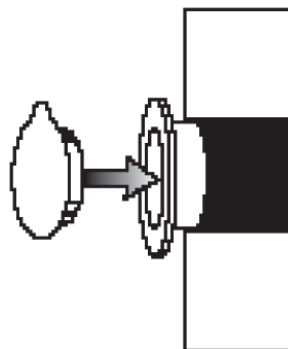
## Wall installation (permanent mounting)



Key for the above diagram:

1. Exhaust port
2. Vent connector
3. Exhaust hose
4. Round adapter

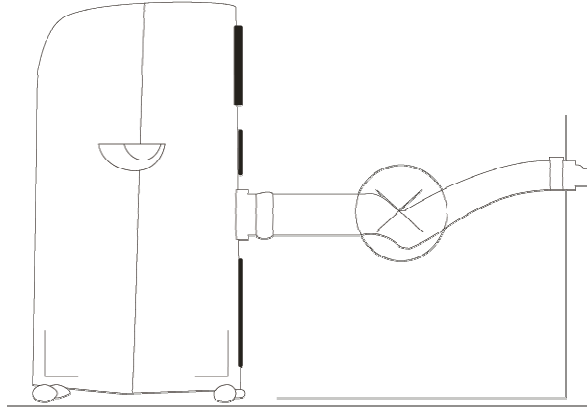
1. Drill a 5 1/8" diameter (approx.) hole through the wall. For safety and to avoid cutting into structural support beams or electrical wires, please have a qualified technician drill this hole.
2. Insert the round adapter into the hole (from inside the room) and mark the screw hole positions on the wall
3. Remove the round adapter from the wall and drill four screw holes in the positions marked.
4. Replace the round adapter into the wall and screw it into place.
5. Move the portable air conditioner into place near the wall and insert the exhaust hose into the round adapter. Twist the exhaust hose into the adapter in a clockwise direction.



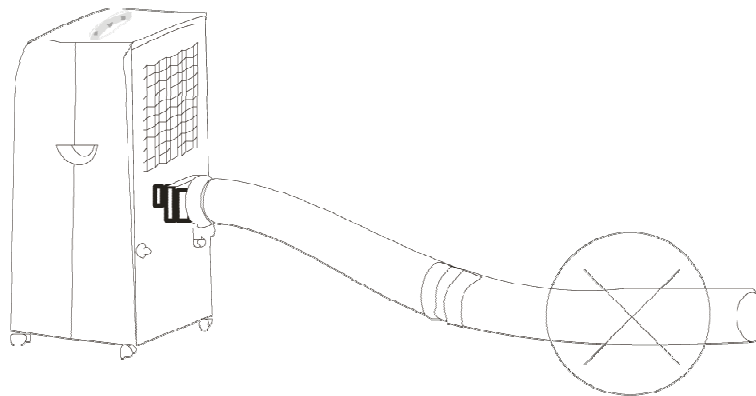
6. When not in use, remove the exhaust hose from the round adapter and place the round adapter cap over the hole.

**Notes:**

1. The exhaust hose supplied with the portable air conditioner can be extended from 14 1/2" to 59". However, the shorter the hose, the more efficient the unit will perform.

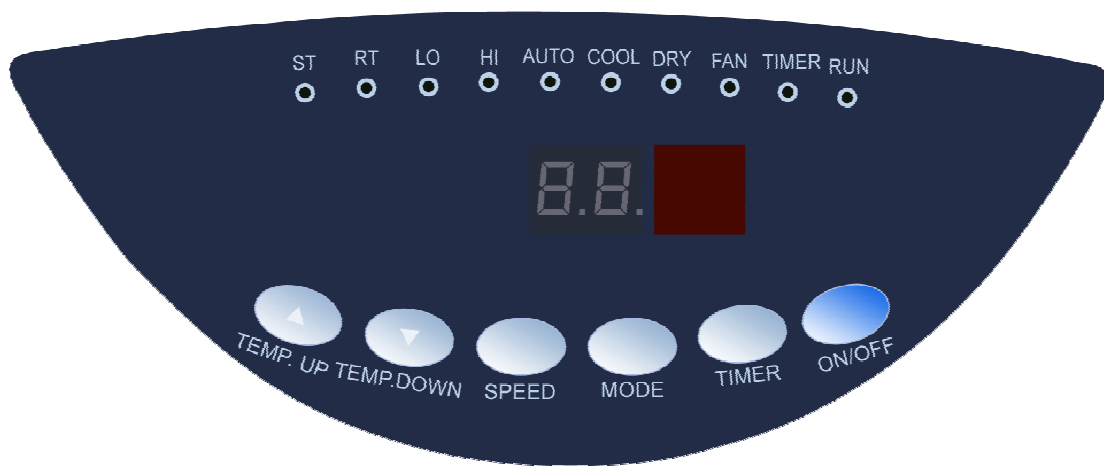


2. Try to prevent any kinks or bends in the exhaust hose. Kinks or bends may trap exhaust air which can radiate heat into the room or potentially cause the portable air conditioner to shut itself off.



3. The exhaust hose supplied with the portable air conditioner has been specifically designed for this air conditioner. Do not lengthen the hose or replace it with any other hose.

## Control panel



### LED indicators

1. “ST” = Set Temperature  
When this light is lit (when the TEMP. UP or TEMP. DOWN buttons are pressed), the LED display shows the temperature that the unit is set to cool to.
2. “RT” = Room Temperature  
When this light is lit the LED display shows the current ambient temperature in the room.
3. “LO” = Low Fan Speed  
This light is lit when the fan speed is on Low.
4. “HI” = High Fan Speed  
This light is lit when the fan speed is on High.
5. “AUTO” = Auto Mode  
This light is lit when the Auto mode is selected. The Auto mode is factory preset to maintain an ambient temperature of 73°F. If the ambient temperature is above 73°F, the unit will operate in cooling mode. If the ambient temperature is equal to or below 73°F, the unit will operate in Fan mode.
6. “COOL” = Cooling Mode  
This light is lit when the Cooling mode is operating.
7. “DRY” = Dehumidifier Mode  
This light is lit when the Dehumidifier mode is operating. The Dehumidifier mode is factory pre-set to one dehumidification setting- and the dehumidification settings cannot be user-altered.
8. “FAN” = Fan Mode  
This light is lit when the Fan mode is operating.
9. “TIMER” = Timer On  
This light is lit when the Timer is on. See below for a description of the Timer.
10. “RUN” = Unit On  
This light is lit when the unit is on.

If this light is flashing, the internal condensate tank is full and the unit has shut itself off. Empty the tank to restart the unit. See the Drainage section for more information on performing this operation.

## Buttons

1. "TEMP. UP" = Adjusts Temperature Up  
This button raises the thermostat temperature setting. It only affects the operation of the unit in Cooling mode.
2. "TEMP. DOWN" = Adjusts Temperature Down  
This button lowers the thermostat temperature setting. It only affects the operation of the unit in Cooling mode.
3. "SPEED" = Adjusts Fan Speed  
Press this button to adjust the fan speed between High and Low settings.
4. "MODE" = Toggles Modes  
Press this button to switch between modes- Auto, Cooling, or Fan.
5. "TIMER" = Turns Timer On/Off  
Press this button to activate the timer. Each time you press this button, a time will appear in the LED display (from 1 to 12 hours). The timer can be used to turn the unit on or off.  
To turn the unit on using the timer, make sure the unit is off. Press the "TIMER" button until the desired number of hours appears in the LED display. After the number of hours you selected elapses, the unit will turn on.  
To turn the unit off using the timer, make sure the unit is on and operating as you want it to. Press the "TIMER" button until the desired number of hours appears in the LED display. After the number of hours you selected elapses, the unit will turn off.
6. "ON/OFF" = Turns Unit On/Off  
Press this button to turn the unit on and off.

## Remote Control

### Setting up the remote control

1. Remove the cover from the back of the remote control.
2. Insert 2 AAA batteries.
3. Point the remote control at the portable air conditioner (make sure the air conditioner is plugged in) and press the button for the operation that you want.

### Notes:

Point the remote control at the portable air conditioner when you are using the remote. The remote control sensor is located under the little red square on the top of the portable air conditioner.

When the remote control is used to change most settings on the portable air conditioner, the portable air conditioner will emit a beep.

The maximum range for the remote control is 13 feet.

Remove the batteries from the remote control if you are not going to use it for several weeks or more.

**Caution:**

Do not abuse the remote control.

Do not expose the remote control to direct sunlight or leave it next to a radiator or another source of heat.

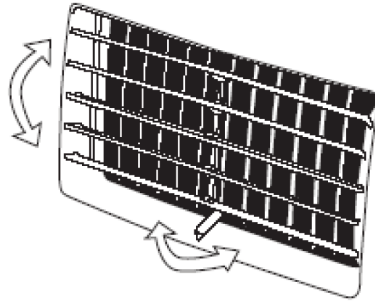
Do not mix different types of batteries in the remote control.

**Remote control functions**

1. LCD Display  
This displays the time and the settings selected for the portable air conditioner
2. Mode selection button  
This button toggles between the different modes of the portable air conditioner
3. Temperature up and down button  
The “+” part of the button increases the thermostat’s temperature setting.  
The “-” part of the button decreases the thermostat’s temperature setting.  
These adjustments are only used in the Cooling mode.
4. Fan speed selection button  
This button adjusts the fan speed between the high and low settings.
5. Sleep function button  
This button activates or deactivates the Sleep function.  
Press it once to activate the Sleep function and twice to deactivate the Sleep function. The Sleep function can be used in Cooling mode. In Cooling mode, the Sleep function raises the thermostat’s temperature setting by 1.5°F per hour, for two hours. This function is often used in conjunction with the Timer off function.
6. “On Timer” button

- This button activates or deactivates the “On timer.” As noted in more detail above, the On timer turns the portable air conditioner on after a number of hours (you select the number of hours) elapses. To set the On timer using the remote control, the portable air conditioner must be off. Press the On timer button once. Press the Hour button several times until your desired number of hours appears in the remote control. Press the On timer button again to set the portable air conditioner to turn on in that number of hours.
7. “Off Timer” button  
This button activates or deactivates the “Off timer.” As noted in more detail above, the Off timer turns the portable air conditioner off after a number of hours (you select the number of hours) elapses. To set the Off timer using the remote control, the portable air conditioner must be on. Press the Off timer button once. Press the Hour button several times until your desired number of hours appears in the remote control. Press the Off timer button again to set the portable air conditioner to turn on in that number of hours.
  8. Power button  
This button turns the air conditioner on or off.
  9. Hour button (for on/off timer)  
As noted above, this button adjusts the number of hours to delay the On or Off timer. Additionally, this button is used to adjust the clock function of the remote control.
  10. Minute button  
This button is used to adjust the time on the clock function of the remote control. To set the clock, make sure the remote control is off.
    - a. Press and hold the On timer and Off timer buttons
    - b. After about 2 seconds, the clock icon in the LCD display will start blinking. When it starts blinking, release the buttons.
    - c. Adjust the time with the hour and minute buttons. Each time you press the hour button, the hour portion on the time will increase by 1. Each time you press the minute button, the minute portion on the time will increase by 1.
    - d. When you have reached the correct time, press and hold the On timer and Off timer buttons until the clock stops flashing. Release the buttons- the time is now set.

## Regulating airflow direction

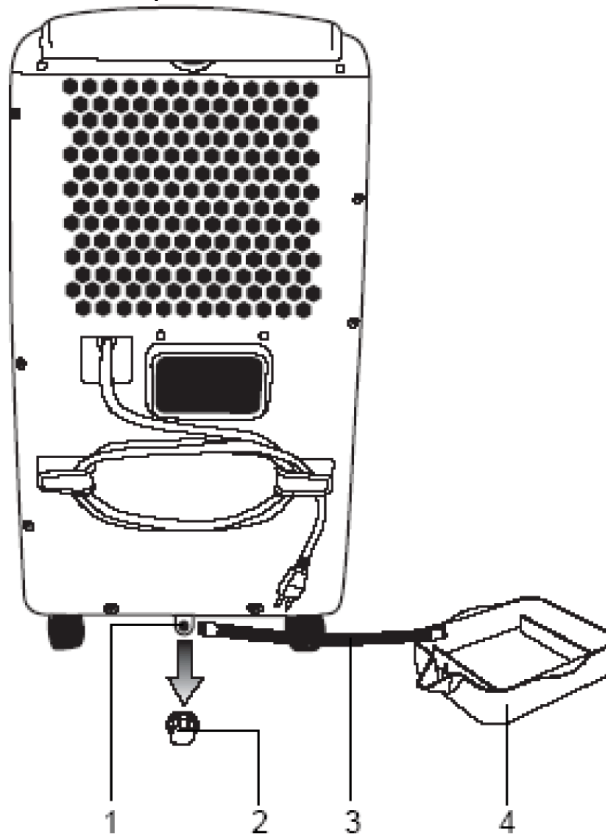


To adjust airflow, the louvers on this portable air conditioner can be adjusted up and down and from right to left. To adjust the horizontal louvers, gently move them up or down as desired. To adjust the vertical louvers, move the handle at the bottom of the louvers.



## Manual drainage

When the portable air conditioner is in cooling or dry mode, it will dehumidify the air. The water dehumidified from the air will be collected in an internal reservoir. This water will be used to help cool the compressor and it will be evaporated and exhausted out the exhaust hose. This unit is designed to exhaust most or all condensate water collected out of the air, but in very humid conditions, the internal reservoir may fill completely. This causes the air conditioner to turn off to avoid overflowing the internal reservoir. The portable air conditioner will begin beeping and the Run light will begin blinking and/or the display will show the E7 code. Drain the unit to return to normal operation.



### Drain parts:

1. Drain (there is a rubber plug inside this hole)
2. Drain cap
3. Drain hose
4. Drain tray

### Draining with the drain tray

1. Make sure the unit is off.
2. Position the drain tray on the floor beneath the drain.
3. Unscrew the drain cap from the drain. Remove the rubber plug from the drain.
4. When the drain tray is almost full, insert the rubber plug back into the drain and screw the drain cap back onto the drain.

5. Empty the drain tray.
6. Repeat steps 1-5 as necessary.

### **Direct drainage**

1. Remove the drain cap and rubber plug from the drain.
2. Connect the drain hose to the drain. The drain hose can be extended if needed. The portable air conditioner will now drain through the drain hose. Please note that this unit has no drain pump; all water will drain with gravity only, i.e., only “downhill.”

### **Maintenance**

#### **Notes:**

Always unplug the portable air conditioner before performing cleaning or maintenance.  
Never hose this air conditioner down or attempt to clean it with a dripping wet sponge or cloth.

#### **Cleaning the exterior**

- Use a soft damp cloth to wipe the body clean
- Never use harsh chemicals, gasoline, etc. to clean the portable air conditioner- they may cause permanent damage to the surface.

#### **Cleaning the condenser coils**

- From time to time, run the hose attachment from a vacuum cleaner over the air intake on the side of the unit. This will help clean household dust out of the condenser coils and allow the unit to run as efficiently as possible.

### **Prefilter and charcoal filter**

#### **Notes:**

**To keep dust from clogging the unit, never use the portable air conditioner without the filter.**

The prefilter on the back of the unit collects dust contained in the air. It must be cleaned periodically to keep the portable air conditioner operating at maximum efficiency.

We suggest that you clean the prefilter once every two weeks- or more often if it operates in a dusty environment.

Do not bend the prefilter.

This portable air conditioner comes with an activated charcoal filter. This filter fits into the filter frame between the air conditioner and the prefilter. The prefilter faces the exterior of the unit and serves as the first filter for airborne irritants. The prefilter is washable and can be reused indefinitely. The charcoal filter absorbs odors, smoke and gases into itself; it will lose its effectiveness over time. We suggest you replace the charcoal filter twice a year.

### Installing the charcoal filter

1. Grasp the filter frame (it slides in and out of the top back of the portable air conditioner) and pull up until it slides completely out of the unit.
2. Lay the filter frame on a flat surface, and remove the plastic grid from the filter frame.
3. Lay the charcoal filter on the inside surface of the prefilter. Replace the plastic grid in the filter frame.
4. Insert the filter frame back into the portable air conditioner.

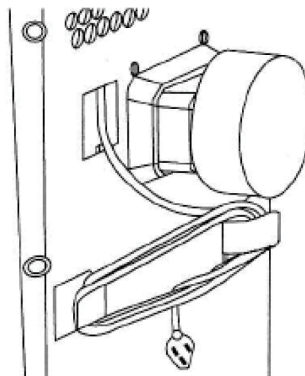
### Cleaning the prefilter

1. Remove the filter frame from the portable air conditioner (as described in step one of “Installing the charcoal filter”).
2. Use a vacuum cleaner’s brush attachment to suck the accumulated dust off the prefilter.
3. If the prefilter needs more thorough cleaning, remove the charcoal filter (follow the instructions for “Installing the charcoal filter”, but remove the charcoal filter instead).
4. Scrub the prefilter gently in warm water.  
Do not use water warmer than 104° or soapy water.
5. Allow the prefilter to dry completely.
6. Reinstall the charcoal filter into the filter frame.
7. Replace the filter frame into the portable air conditioner.

### Long term storage

At the end of the season, or whenever you do not plan to use the portable air conditioner for an extended period of time, we suggest you take the following steps:

- Unplug the unit.
- Completely drain the internal water reservoir.
- Clean the prefilter.
- On a warm, sunny day, operate the unit on fan mode for a few hours to completely dry it out.



- Wind the power cord about the storage hooks on the back of the portable air conditioner.

## Troubleshooting

If the portable air conditioner is not working properly, it is usually due to a minor problem that the user can handle. Before calling customer service, refer to the following chart for troubleshooting:

Problem	Possible Causes	Solutions
The air conditioner will not function at all	The plug is not properly installed into a power outlet	Plug the unit in properly.
	There is insufficient amperage in the power circuit to start the unit.	Check your fuses (refer to the rating label on the back of the unit for Amp draw)
	The water reservoir is full.	Drain the water reservoir.
	The LCDI plug is tripped	Press the reset button on the plug
The air conditioner starts and then cuts out.	The exhaust hose is kinked or corkscrewed	Make sure the exhaust hose is straight and as short as possible
	The unit is too close to a wall or some other obstacle.	The unit should be at least 20" away from walls and other obstacles. Move the unit.
	The unit is covered.	The unit will overheat if the air intake or exhaust ports are obstructed. Remove the obstruction.
	The "Timer off" function was activated.	Press the power button to turn the unit back on.
	The room temperature is outside the operational range of 61° - 97°F	Use the unit within the operational range of 61° - 97°F
The air conditioner does not seem to cool effectively.	Room is too large	Use the unit in a smaller room.
	There is direct sunlight into the room.	Close curtains or pull down blinds; minimize the direct sunlight into the room.
	Windows or doors are open.	Close the windows or doors.
	There are additional heat sources in the room, e.g., servers, computer equipment, etc.	Remove the additional heat sources.
	The filter is dusty or otherwise blocked.	Clean the filter

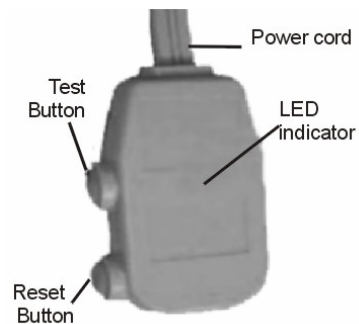
	The air intake or exhaust ports are partially obstructed.	Remove the obstruction.
	The condenser coils are dirty	Vacuum the air inlet located on the side of the unit
The control panel lights are blinking randomly	The unit has a minor electrical fault	Move the unit to another circuit or unplug the unit and plug it in again.
	The unit is plugged into an outlet that cannot supply the correct electricity to the unit	Move the unit to another circuit or unplug the unit and plug it in again.
The unit is leaking	The unit is draining into the drain pan	The drain pan has no auto shut-off- do not leave the unit unattended while draining into an external drain pan- the level of water in this drain pan must be manually monitored
	The drain stopple and plug are not installed	Install the stopple and drain plug
	The unit is not on a level surface	Make sure the unit is on a level surface
The air conditioner is too loud.	The unit is positioned on a hard, uneven floor, and is vibrating.	Move the unit onto a level, carpeted surface.
The Run LED is blinking and the air conditioner is beeping.	The internal water reservoir is full.	Drain the water reservoir.
The LED display seems to show that the air conditioner is on, but it is not working.	The "Timer on" feature is activated.	Turn the unit on with the power button to deactivate the "Timer on" feature.
"E1" shows in the LED display.	The evaporator sensor has detected a problem.	Contact customer service.
"E2" shows in the LED display.	The room temperature sensor has detected a fault.	Contact customer service.
"E5" shows in the LED display.	The overheating protection sensor has detected a fault.	Contact customer service.
"E7" shows in the LED display.	The water reservoir is full.	Drain the water reservoir.

## LCDI plug wiring instruction :

This unit is provided with Leakage Current detection interruption circuit (LCDI )built into the plug of the power supply cord . This device provides protection to reduce the risk of fire due to arcing faults in the power-supply cord. Before use, follow the “Plug Testing Instructions” to ensure that the LCDI circuit is functioning properly:

### Plug Testing Instructions:

1. Press Test Button.  
Unit should trip.
2. Press Reset Button  
firmly



**DO NOT USE IF THE ABOVE TEST FAILS**

Do not use the TEST and RESET buttons as an on/off switch. They are only meant to be used to periodically check the LCDI plug

**CALL CUSTOMER SERVICE IF TEST FALLS**

**Limited warranty:**

This EdgeStar product is warranted to be free from defective workmanship and materials for the first year following the date of original purchase. Replacement parts will be supplied free of charge for the first year following the date of original purchase. Labor will be performed free of charge for the first 90 days following the date of original purchase.

**WHAT IS COVERED:**

This warranty applies to the original purchaser only, and only covers defects in workmanship experienced during operation of the product under normal service, maintenance, and usage conditions. This warranty applies to the purchase and use of this product in residential settings within the United States of America.

**WHAT IS NOT COVERED:**

The following limitations apply to the coverage of this warranty:

Optional accessories, attachments, and appearance items are excluded from warranty coverage, as is shipping damage, and any damage caused by improper voltage or any other misuse, including abnormal service, handling, or usage.

This warranty does not cover normal wear and tear on parts or replacement of parts designed to be replaced, e.g. filters, etc.

This warranty does not cover service trips to deliver, pick-up, repair, or install the product, or to instruct in proper usage of the product.

Damages or operating problems resulting from abuse, operation outside environmental specifications, uses contrary to instructions provided in the owner's manual, accidents, vermin, fire, flood, improper installation, unauthorized service, acts of God, unauthorized installation or modification, or commercial use are excluded from warranty coverage.

This warranty does not cover labor incurred 91 days or more after the date of original purchase.

This warranty does not cover use of EdgeStar products in commercial settings.

**DESCRIPTION OF WARRANTY SERVICE:**

All defective product components covered by this warranty will be repaired or replaced, at EdgeStar's option, free of charge on a mail-in basis to EdgeStar's authorized repair facility during the first 90 days from the date of original purchase.

All defective product components covered by this warranty will be provided on a mail-out basis from EdgeStar during the time period beginning on the 91<sup>st</sup> day from the date of original purchase and ending one year from the date of original purchase. During this time period, parts will be supplied free of charge, but no labor charges will be covered by EdgeStar.

All replacement parts and units will be new, remanufactured, or refurbished.

All products and components replaced by EdgeStar under warranty service become the property of EdgeStar.

**OBTAINING WARRANTY SERVICE:**

Contact EdgeStar for troubleshooting assistance and warranty service authorization at 1-866-319-5473. Please have your order receipt available to confirm the date of purchase. Once an EdgeStar authorized representative has confirmed that your product is eligible for warranty service, the product must be returned to an EdgeStar authorized repair facility.

The purchaser is solely responsible for prepaying all shipping related costs to and from the repair facility.

EdgeStar is not responsible for damage resulting from shipper mishandling or improper packaging.

Do not return defective product to the place of purchase.

THIS WARRANTY IS IN LIEU OF ANY OTHER WARRANTY, EXPRESS OR IMPLIED, INCLUDING WITHOUT LIMITATION, ANY WARRANTY OF MERCHANTABILITY OR FITNESS FOR A PARTICULAR PURPOSE. TO THE EXTENT ANY IMPLIED WARRANTY IS REQUIRED BY LAW, IT IS LIMITED IN DURATION TO THE EXPRESS WARRANTY PERIOD ABOVE. NEITHER THE MANUFACTURER NOR ITS DISTRIBUTORS SHALL BE LIABLE FOR ANY INCIDENTAL, CONSEQUENTIAL, INDIRECT, SPECIAL, OR PUNITIVE DAMAGES OF ANY NATURE, INCLUDING WITHOUT LIMITATION, LOST REVENUES OR PROFITS, OR ANY OTHER DAMAGE WHETHER BASED IN CONTRACT, TORT, OR OTHERWISE. SOME STATES DO NOT ALLOW THE EXCLUSION OF INCIDENTAL OR CONSEQUENTIAL DAMAGES, SO THE ABOVE EXCLUSION MAY NOT APPLY TO YOU. THIS WARRANTY GIVES YOU SPECIFIC LEGAL RIGHTS. YOU MAY HAVE OTHER RIGHTS THAT VARY FROM STATE TO STATE.





For information on EdgeStar and to view our full line of products, please visit our website:

**<http://www.edgestar.com>**

EdgeStar Products  
Box 81336  
Austin, Texas 78708-1336  
**Toll Free: 1-866-319-5473**

## Free Manuals Download Website

<http://myh66.com>

<http://usermanuals.us>

<http://www.somanuals.com>

<http://www.4manuals.cc>

<http://www.manual-lib.com>

<http://www.404manual.com>

<http://www.luxmanual.com>

<http://aubethermostatmanual.com>

Golf course search by state

<http://golfingnear.com>

Email search by domain

<http://emailbydomain.com>

Auto manuals search

<http://auto.somanuals.com>

TV manuals search

<http://tv.somanuals.com>