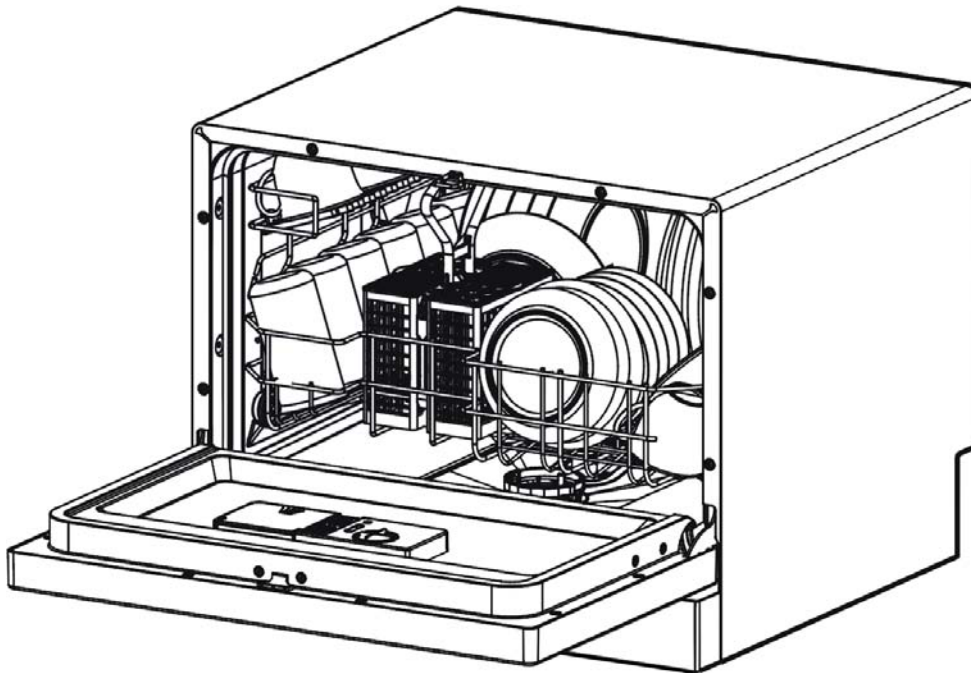




# Dishwasher



## DWP60ES

### Owner's Manual

For more information on other great EdgeStar products on the web, go to <http://www.edgestar.com>

# IMPORTANT SAFETY INFORMATION

Read all instructions carefully prior to use. For your safety, the information detailed in this manual should be followed. Improper use and/or handling can cause serious damage to the appliance and/or to the user including but not limited to fire, explosion, and/or electric shock, resulting in personal injury, or death.

Use this appliance only for its intended purpose as described in this Owner's Manual.

## WATER HEATER SAFETY PRECAUTION



### **Hydrogen gas is flammable!**

Under certain conditions, hydrogen gas may be produced in a water heater that has not been used for more than two weeks. To prevent the possibility of damage and/or injury, turn on all hot water faucets and allow them to run for several minutes. Do this before using any electrical appliance connected to the hot water system. This simple procedure will release any built-up hydrogen gas. Since hydrogen gas is flammable, do not smoke, use an open flame or use any appliance during this process.

## PROPER INSTALLATION AND MAINTENANCE

When installing and servicing your dishwasher, refer to the following:

- This dishwasher should be properly installed and placed in a location in accordance with the Installation Instructions prior to operation.
- Connect the dishwasher to a grounded permanent electrical system.
- Check with a qualified electrician or service representative if you are in doubt whether the appliance is properly grounded.



### **Improper electrical connection poses a risk of electric shock.**

- Do not attempt to repair or replace any part of your dishwasher unless it is specifically recommended in this manual.
- All other service maintenance should be completed by a qualified technician.
- To minimize the possibility of electric shock, disconnect this appliance from the power supply before attempting any maintenance.



### **Turning the dishwasher OFF does not disconnect the appliance from the power supply.**

- Dispose of discarded appliances, including any shipping and packaging materials, properly.

## PRECAUTIONS FOR OPERATION

When using your dishwasher, follow basic precaution, including the following:

- Use this appliance only for its intended purpose as described in this Owner's Manual.
- This appliance is not intended for use by children.
- Do not allow children to play with, on, or inside this or any appliance.
- Close supervision is necessary if this appliance is used near children.
- Use caution when opening or closing the door to avoid injury.
- Use only powder, tabs, liquid detergents, or rinse agents recommended for use in a dishwasher and keep them out of the reach of children.
- Using a detergent that is not specifically designed for dishwashers may have an undesired result such as excessive suds.
- To avoid damage to the door seal, place sharp items strategically.
- Load sharp knives handle-side up to reduce the risk of injury.
- Do not wash plastic unless it is marked as dishwasher safe. For plastic items not marked as dishwasher safe, refer to the manufacturer's recommendations.
- Do not operate your dishwasher unless everything enclosed is securely in place.
- Do not tamper with controls.
- Do not rough-handle, sit, or stand on the door or dish rack of the dishwasher.
- Do not discard the dishwasher without removing the door.
- Do not store or use combustible materials such as gasoline or other flammable vapors and liquids in the vicinity of this or any other appliance.
- Contents washed in anti-bacterial mode (if available) may be hot to the touch. Use care before handling.
- If your dishwasher is connected to a wall switch, ensure the switch is ON prior to use.
- Do not wash non-dishware items such as furnace filters, paint brushes, etc. in your dishwasher. Discoloration, staining, and/or other damage to dishwasher may result.
- If you choose to turn the switch OFF between wash cycles on dishwashers with electronic controls, allow 5 - 10 seconds after turning the switch ON before touching the START/RESET button. This allows the control system to reboot.

## SAVE THESE INSTRUCTIONS

## Table of Contents

|   |            |
|---|------------|
| <b>IMPORTANT SAFETY INFORMATION</b> ..... | <b>III</b> |
| <b>OPERATING PRECAUTIONS</b> .....        | <b>III</b> |
| <b>TABLE OF CONTENTS</b> .....            | <b>III</b> |
| <b>INTRODUCTION</b> .....                 | <b>1</b>   |
| <b>FEATURE IDENTIFICATION</b> .....       | <b>2</b>   |
| BACK VIEW .....                           | 2          |
| FRONT VIEW .....                          | 2          |
| <b>INSTALLATION INSTRUCTIONS</b> .....    | <b>3</b>   |
| CONNECTING THE DISHWASHER .....           | 3          |
| FOR BEST RESULTS .....                    | 4          |
| DISCONNECTING THE DISHWASHER .....        | 5          |
| <b>OPERATING INSTRUCTIONS</b> .....       | <b>6</b>   |
| WASH CYCLES.....                          | 6          |
| LOADING THE DISHWASHER .....              | 7          |
| CUTLERY BASKET .....                      | 8          |
| DETERGENT.....                            | 9          |
| RINSE AID .....                           | 11         |
| STARTING THE WASH CYCLE .....             | 12         |
| CHANGING THE CYCLE.....                   | 12         |
| ADDING DISHES.....                        | 13         |
| END OF WASH .....                         | 13         |
| <b>MAINTENANCE</b> .....                  | <b>14</b>  |
| <b>TROUBLESHOOTING</b> .....              | <b>16</b>  |
| TROUBLESHOOTING CONTINUED .....           | 17         |
| <b>SPECIFICATIONS</b> .....               | <b>18</b>  |
| <b>EDGE STAR LIMITED WARRANTY</b> .....   | <b>19</b>  |

## Introduction

Thank you for purchasing this EdgeStar dishwasher. We are glad you chose us. We believe that your purchase of this product opens a relationship between you and EdgeStar. We will provide the customer support needed to nurture that relationship.

This manual contains important information regarding the proper installation, use and maintenance of your dishwasher. Following this manual will ensure that your product will work at its peak performance and efficiency.

Please save the original product packaging in case you need to safely transport your dishwasher.

### For Your Records:

Please write down the model number and serial number below for future reference. You can locate your model number on the tub wall just inside the door. Both numbers are needed to obtain warranty service. You may also want to staple your receipt to this manual as it is the proof of your purchase, and is also needed for service under your warranty.

Model Number: \_\_\_\_\_

Serial Number: \_\_\_\_\_

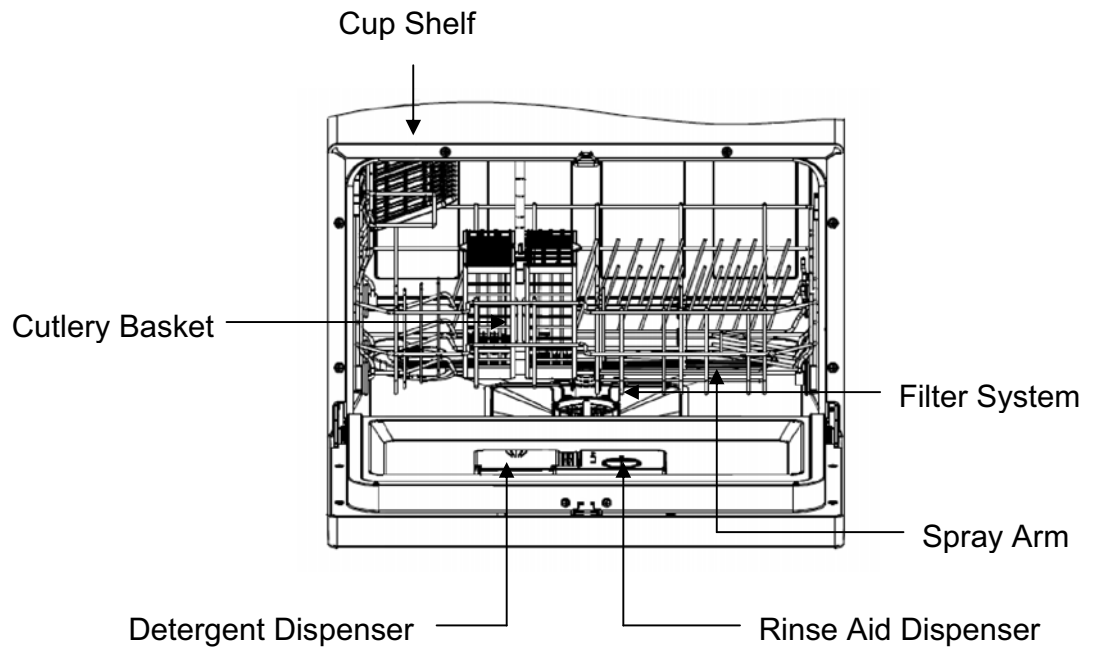
Date of Purchase: \_\_\_\_\_

To better serve you, please do the following before contacting customer service:

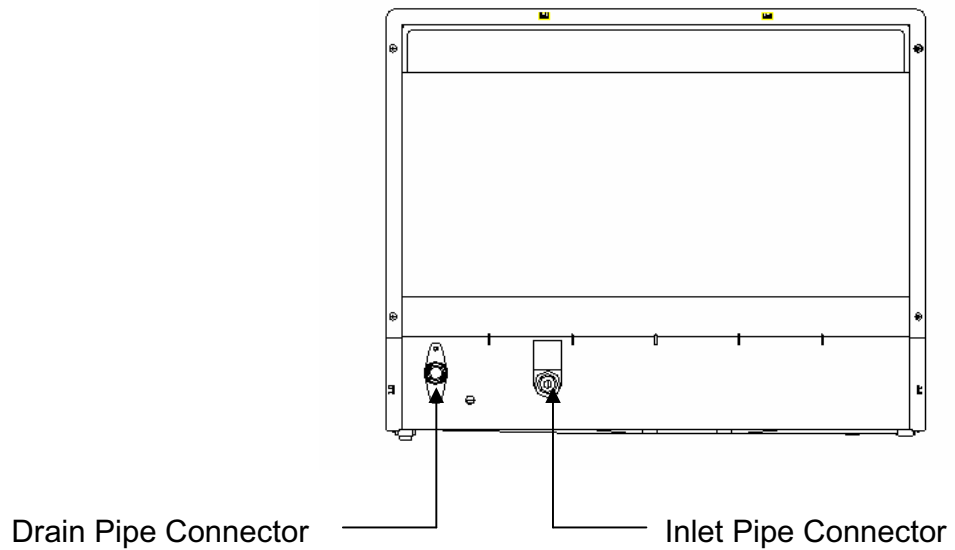
- If you received a damaged product, immediately contact the dealer that sold you the product.
- Read and follow this instruction manual carefully to help you install, use and maintain your portable air conditioner.
- Read the troubleshooting section of this manual as it will help you diagnose and solve common issues.
- Visit us on the web at <http://www.edgestar.com> for product guides, additional troubleshooting resources and up-to-date information. If you need service, our friendly customer service representatives are available via email at [service@edgestar.com](mailto:service@edgestar.com) or by telephone at **1 (866) 319-5473**.

## Feature Identification

### Front View



### Back View



## Installation Instructions

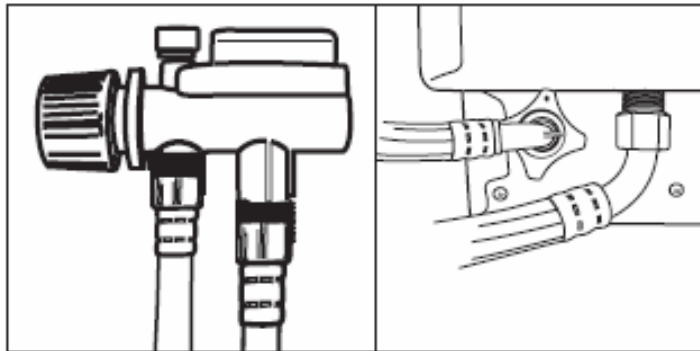
- Remove all packaging materials carefully.
- The dishwasher must be installed on a solid, level surface.
- If your sink has a spray wand, it is recommended that the hose be disconnected and the hole plugged.



**A hose that attaches to a spray wand can burst if it is installed on the same water line as the dishwasher.**

- The minimum height clearance required to install your dishwasher on a counter top surface with overhead cupboards is 45cm (17.7”).
- Make sure there is an electrical supply (outlet) within reach of the electrical power supply cord (195 cm / 6.3 ft).
- Make sure the water supply/faucet connection is within reach of the inlet and drain hose assembly (i.e., 58 cm / 22.8”).

## Connecting the Dishwasher



Your dishwasher comes equipped with a 'quick-connect' assembly (includes inlet and drain hose). The faucet adapter must be installed on the faucet before you can connect the dishwasher. This adapter is included inside your dishwasher.

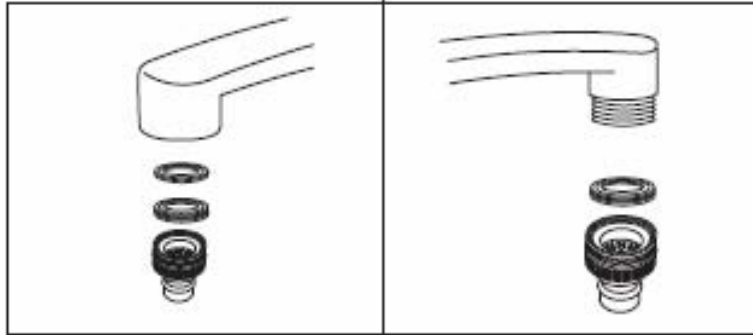
The faucet adapter is compatible with faucets inclusive of either male (outside) or female (inside) threaded faucet connections.

- Screw the faucet adapter onto (or into) the faucet tap. Check for leaks (use Teflon or plumbers tape to eliminate any leaks if necessary).
- Connect the six-sided connection of the drain hose to the drain port connection on the back of the dishwasher cabinet. To avoid damage to threads, do not over-tighten.
- Connect the star-shaped connection of the inlet hose to the inlet port on the back of the dishwasher cabinet. Do not over-tighten.
- Connect the circular connection of the drain hose onto the longer (bottom) male connection on the quick connect.
- Connect the circular connection of the inlet hose onto the shorter (top) male connection on the quick connect.
- Attach the quick-connect assembly onto the faucet adapter, by pulling down the outer locking collar on the quick connect, while pushing the quick-connect assembly upward onto the faucet adapter.
- Release the locking collar when the quick-connect assembly snaps onto the faucet adapter. Verify the connection is secure.

- Slowly open the hot water line and check for any sign of water leakage at all hose connections. If leaks are located, immediately close the water supply and repair the hose connections.

If your existing faucet adapter is not compatible with the “quick connect” hose assembly supplied, then the following procedures should be followed:

- Connect the faucet adapter (included with dishwasher) to your faucet.



- If your faucet is inclusive of a ‘female’ type (threaded) connection, both rubber washers must be installed inside the faucet adapter.
- If your faucet is inclusive of a ‘male’ type (threaded) connection, use only the standard rubber washer (0.2”/5mm thick) supplied within the adapter. Remove the second rubber washer.

### For Best Results:

Your dishwasher cleans by spraying a mixture of clean hot water and detergent (under pressure) against the soiled surfaces of dishes. The water is pumped through a rotating spray arm, drained through a filter (removing food and soiled particles) and pumped back through the spray arm. Soiled water is pumped out and replaced with clean water at the end of each cycle (the number of times this is repeated depends on the wash cycle chosen).

#### Water Pressure

For best results, incoming water pressure should be between 15 and 20 pounds per square inch (psi).

#### Water Temperature

For best results, the water temperature must be at least 55°C (130°F). To prevent damage to the dishwasher, the temperature of the incoming water supply should not exceed 65°C (149°F).

#### NOTE:

Hard water conditions will adversely affect the washing performance of your dishwasher. Hard water conditions will also contribute to ‘lime’ (white film substance) deposits and/or ‘scaling’ on the stainless steel surface of the dishwasher tub and heater element, located in the sump underneath the removable filter screen. To assist in minimizing these conditions, it is recommended to periodically operate/rinse the inside of the dishwasher (empty) using 1 cup of white vinegar at least once a week.



## Disconnecting your Dishwasher

- Close the hot water supply at the faucet.
- Disconnect the power supply cord.
- Remember to release the water pressure inside the inlet hose.
- The inlet hose is pressured when the water supply line is opened, even if closed immediately.
- To release pressure: press and hold the red pressure relief button on the quick-connect assembly until the flow of water stops.
- Disconnect the quick-connect hose assembly by pulling down on the outer locking collar, thus releasing it from the faucet adapter.



**FAILURE TO RELIEVE WATER PRESSURE, BEFORE DISCONNECTING THE QUICK-CONNECT ASSEMBLY FROM THE FAUCET MAY RESULT IN BACK-PRESSURE OVER-SPRAY.**



**THE TEMPERATURE OF INCOMING WATER CAN BE VERY HOT.**



**BACK-PRESSURE OVER-SPRAY COULD CAUSE SEVERE BURNS AND/OR SCALDING.**

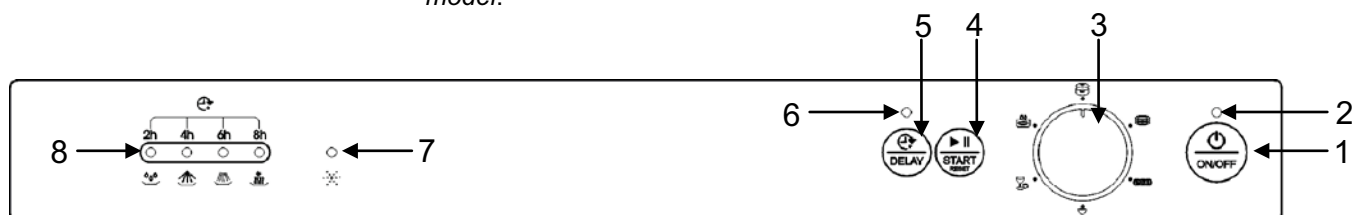






**DO NOT LET CHILDREN DISCONNECT THE DISHWASHER. CLOSE SUPERVISION OF CHILDREN IS ALWAYS IMPORTANT AROUND APPLIANCES.**







# Operating Instructions

To get the best performance from your dishwasher, read all operating instructions prior using it for the first time.

*Throughout this manual, features and graphic depictions may vary from your model.*



1. **Power Button:** Press to turn the unit ON/OFF.
2. **Power Light:** Indicates when the ON/OFF Button has been pressed.
3. **Washing Program Selector:** Rotate the knob to select the desired wash cycle.
4. **Start/Pause Button:** Press to START, PAUSE, and RESTART the dishwasher.
5. **Delay button:** Press this button to DELAY start of wash cycle. Start time can be delayed in 2,4,6 or 8 hour increments.
6. **Delay indicator Light:** Indicates when the DELAY button has been pressed.
7. **Rinse-Aid Warning light:** Indicates when the rinse-aid dispenser is low.
8. **Delay Time/Washing Phase indicator:** This light will indicate which increment the START time is delayed. Furthermore, when the dishwasher is operating this will indicate the phase of the wash cycle. The phases are: Pre-wash , Wash , Rinse  and Dry 

| Program Selector  | Wash Cycle | When Cycle Should Used   | Estimated Time | Estimated Water Usage |
|---|------------|--|----------------|-----------------------|
|  | Heavy      | For heavily soiled dishes or cookware with dried-on or baked-on soils. Everyday dishes may be included in this cycle. However, this cycle may not remove burnt-on foods. | 112 min.       | 4.7 gal               |
|  | Normal     | For loads of everyday dishes, glasses, and cookware with medium soils.   | 85 min.        | 3.8 gal               |
|  | Eco        | For lightly soiled plates, glasses, bowls and pans.  | 77 min.        | 3.4 gal               |
|  | Glass      | For lightly soiled glasses, crystal and fine china.  | 71 min.        | 2.9 gal               |
|  | Speed      | This is a shorter cycle for lightly soiled loads that do not need drying.  | 45 min.        | 3.3 gal               |
|  | Soak       | For rinsing partial loads that will be washed later.   | 10 min.        | 0.7 gal               |

**NOTE:** Many dishes may have lighter soil than what the NORMAL cycle is optimized for. Choosing a cycle other than NORMAL can save energy and water.

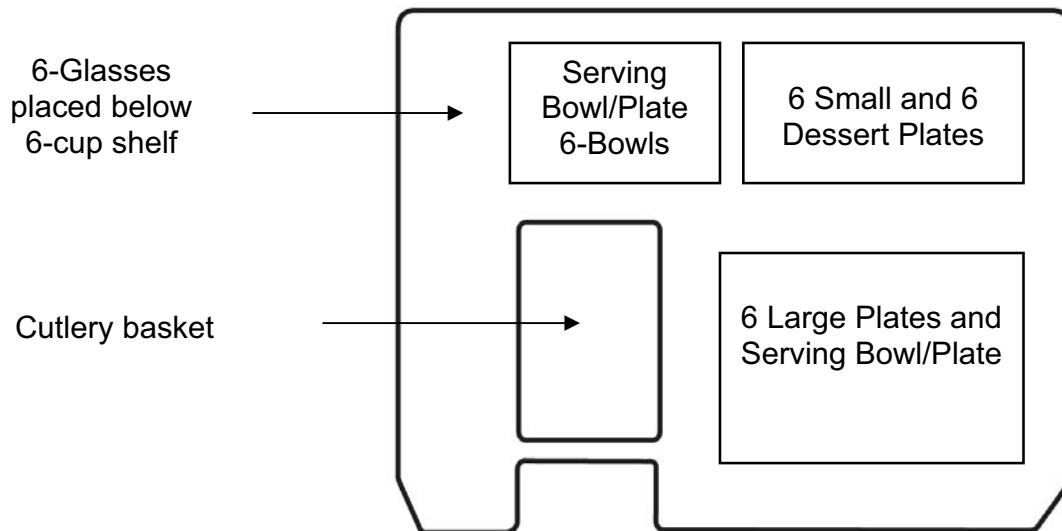
## Properly Loading the Dishwasher

A properly loaded dishwasher is key for optimal performance. Overfilling the dishwasher can reduce the dishwasher's efficiency. Furthermore improper placement of items can hinder the performance of the unit.

This unit is optimized for holding 6 place settings including:

- 6 cups
- 6 bowls
- 6 large plates
- 6 small plates
- 6 dessert plates
- 2 serving dishes
- 6 sets of cutlery

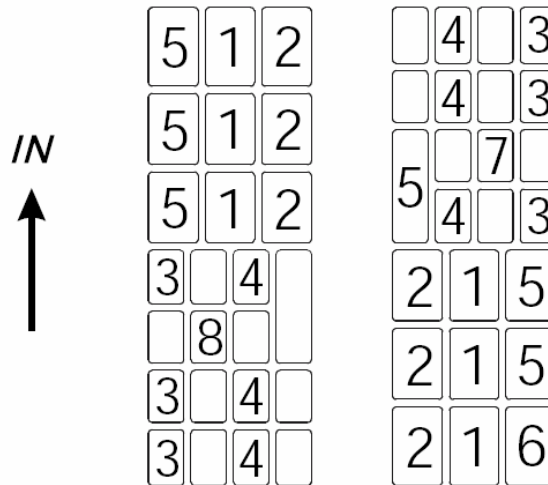
Position the dishes and cookware so they are secure during the wash cycle. Dishes and cutlery that shift in the wash cycle may hinder the spray arms from proper motion, resulting in an undesired result. Be sure to secure dishes and utensils so items cannot be moved by sprayed water.



## Cutlery Basket

Silverware should be placed in the cutlery basket with handles directed toward the bottom. If the rack has side baskets, spoons should be loaded individually into the appropriate slots. Knives and other sharp utensils should be placed in the basket with handles up. Longer utensils should be placed in the horizontal position on the cup shelf instead of in the basket.

Review the diagram below for proper utensil placement:



- |                         |                        |
|-------------------------|------------------------|
| <i>1</i> Forks          | <i>5</i> Knife         |
| <i>2</i> Soup spoons    | <i>6</i> Serving spoon |
| <i>3</i> Dessert spoons | <i>7</i> Gravy ladle   |
| <i>4</i> Teaspoons      | <i>8</i> Serving fork  |



### ⚠ WARNING!

Do not let any item extend through bottom.

**For personal safety and a highest quality wash, securely place all silverware in the basket:**

- Be sure the similar pieces of silverware do not nest together.
- Place most silverware with handles-down.
- Place knives and other potentially dangerous utensils handles-up.

## Only Use Proper Detergent

Use only detergent specifically made for use in dishwashers. Keep your detergent fresh and dry. Do not put powder detergent into the dispenser until you are ready to wash dishes.

The amount of detergent to use depends on whether your water is hard or soft. With hard water, you need extra detergent to alleviate the deposits that are left by the excessive minerals. Less detergent is needed for soft water.

To identify whether your water is hard or soft, contact your water department. A water softener is recommended for water that contains twelve or more grains. Without it, lime can build up in the water valve, which could stick while open and cause flooding. Too much detergent with soft water can cause a permanent cloudiness of glassware, called etching.

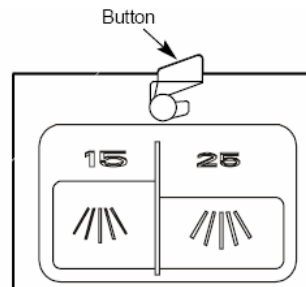
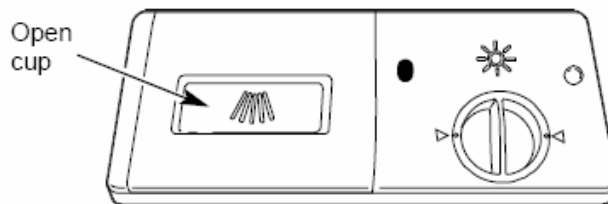
For heavily soiled loads, use the HEAVY WASH Cycle, fill one or both of the interior cups, depending on the hardness of your water, and also fill the open cup on the dispenser lid.

Use the information in the table below as a guideline to determine the amount of automatic dishwasher detergent to place in the dispenser:

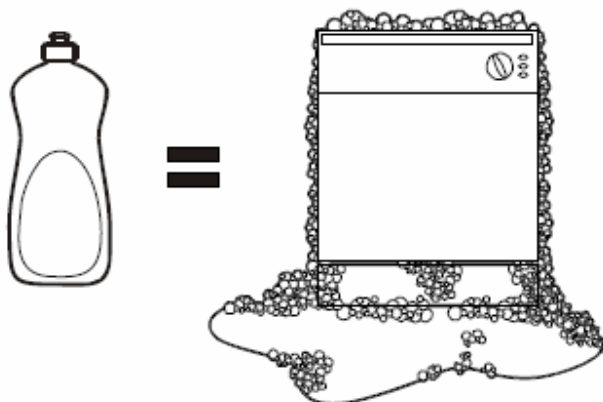
| Number of Grains | Detergent Cups to Fill       |
|------------------|------------------------------|
| Less than 4      | 15 cup                       |
| 4 to 8           | 25 cup                       |
| 8 to 12          | 15 and 25 cups               |
| Greater than 12  | 15, 25 cups and the open cup |

### To open the wash cover:

Press the button and the cover will flip back revealing the detergent dispensing cups. See below:



**NOTE: DO NOT USE HAND DISH DETERGENT**



Using a detergent that is not specifically designed for dishwashers will cause the dishwasher to fill with suds. During operation, these suds will spill out of the dishwasher vents.

Since so many detergent containers look similar, store the dishwasher detergent in a separate space from all other cleaners. Show anyone who may use the dishwasher where the correct detergent is stored.

While there may be no lasting damage to the dishwasher by using dishwashing detergent that is not formulated to work with dishwashers, your dishes may not get fully clean.

## Use Jet-Dry Rinse Agent

**Jet-Dry** rinse agent removes spots and prevents new film build-up on your dishes, glasses, flatware, cookware and plastic.

### Filling the Dispenser

The rinse agent dispenser holds 3.5 oz. of rinse agent. Under normal conditions, this will last approximately one month. Try to keep it full, but do not overfill.

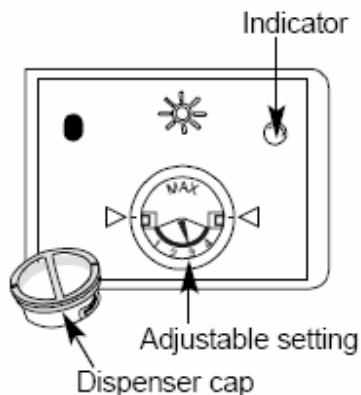
1. Make sure the dishwasher door is fully open.
2. Turn the dispenser knob to the left and lift it out.
3. Add rinse agent until the indicator window looks full.
4. Clean up any spilled rinse agent with a damp cloth.
5. Replace the dispenser knob.

### Rinse Aid Setting

The amount of rinse agent released into the final wash can be adjusted. The factory setting is at the midpoint. If there are rings of calcium (hard water) spots on dishes, try a higher setting.

### To adjust the setting

Remove the dispenser knob; then turn the adjuster counterclockwise to increase the amount of rinse agent.



## Starting the Wash Cycle

Once the dishwasher is fully loaded follow these procedures to start the wash cycle:

- Ensure that the unit is connected to the power supply.
- Ensure that the water supply is turned on to full pressure .
- Pour in the detergent
- Press the ON/OFF switch to power the dishwasher on.
- Rotate the knob to the desired cycle. The wash cycle will be changed as following direction:  
**Heavy -> Normal -> Light -> Glass -> Speed -> Soak**
- Press the START/PAUSE button, the dishwasher begins to start.

### NOTE:

When the START/PAUSE button is pressed during a wash cycle the cycle is suspended and the program light will stop blinking. Unless the START/PAUSE button is pressed to continue the cycle, an indicator beep will be heard every minute.

---

## Changing the Cycle

You can modify the washing cycle, but only when the dishwasher has been running for a short time. Otherwise, detergent may have been release, and the appliance may have already drained water. If this is the case, the detergent dispenser must be refilled.



**Opening the door during the wash cycle may result in injury from scalding hot water.**

Pressing the START/PAUSE button for three seconds or more will put the machine in a stand-by state. At this point the cycle setting can be changed.

The START/PAUSE light shows the state of the dishwasher:

- a) All phase lights off-----On Stand-by
- b) One of the phase lights on-----Paused
- c) One of the phase light blinking-----Running

### NOTE:

If the door is opened during the wash cycle, the machine will be paused. When the door is closed, the machine will restart in 10 seconds.



## Forget to Add a Dish?

A dish can be added any time before the detergent cup opens.

1. Press the START/PAUSE button.
2. Open the door slightly to stop the washing.
3. You can open the door after the spray arms stop spinning.
4. Add remaining dishes.
5. Close the door.
6. Press the START/PAUSE button.

The dishwasher will restart after 10 seconds.

---

## At the End of the Wash Cycle

When the selected wash cycle has finished, the buzzer of the dishwasher will sound for 8 seconds. The wash cycle is completed when all phase indicating lights are off.

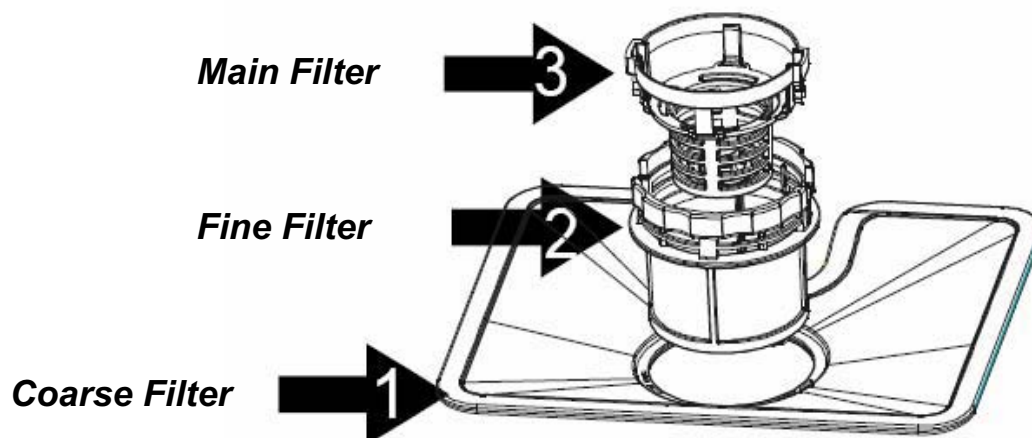
### Removing the Dishes

1. Switch off the dishwasher by pressing the ON/OFF button.
2. Turn off the water tap!
3. Open the door carefully. Leave the door ajar and wait a few minutes before removing the dishes. This will allow the dishes to cool and assist in the drying process.
4. Unload the dishwasher. It is normal for the dishwasher to be wet inside.

## Maintenance

### Filter System

The filter system consists of a coarse filter, a flat (Main filter) And a micro filter (Fine filter).



#### 1. Main filter:

Food and soil particles trapped by this filter are pulverized by a special jet on the spray arm and washed down to drain.

#### 2. Fine filter:

This filter holds soil and food residue in the cylindrical base and prevents the soil from being redeposited on the dishes during wash cycle.

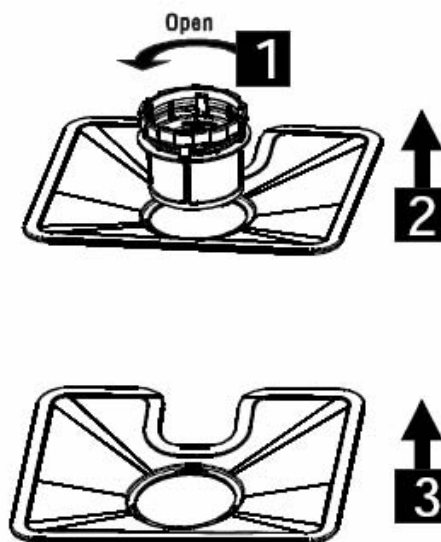
#### 3. Coarse filter

Larger items, such as pieces of bone or glass, that could block the drain are trapped in the coarse filter. To remove the items caught by the filter, gently squeeze the tap on the top of this filter and lift out.

The filter efficiently removes food particles from the wash water, allowing it to be re-cycled during the cycle.

For best performance and results, the filter assembly must be cleaned regularly. For this reason, it is a good idea to remove the larger food particles trapped in the filter after each wash cycle by rinsing the filter assembly under running water. Use a soft cleaning brush to clean the coarse filter and the fine filter. Reassemble the filter parts as shown in the following diagram and reinsert the entire assembly in the dishwasher, positioning it in its seat and pressing downward.

To remove the filter assembly, grab the handle of the fine filter, rotate it counter-clockwise, then pull upward.



Step1: Rotate the fine filter counter-clockwise;

Step2: lift it up;

Step3: lift the Main filter up

**NOTE:**

Reverse the steps above to install the filter system.

**Important**



**Never run the dishwasher without the filters in place.**



**Improper replacement of the filter or damaged filters may reduce the performance level of the dishwasher and/or damage dishes and utensils.**



**Clean the entire filter system regularly**

## Troubleshooting

Follow the troubleshooting guide below to resolve common issues.

| Issue                                     | Possible Cause                              | Solution   |
|---|---|--|
| Dishwasher does not start                 | Fuse is blown or circuit breaker is tripped | Replace fuse or reset circuit breaker. Remove any other appliances sharing the same circuit with the dishwasher.   |
|   | Power Supply is not turned on               | Ensure the dishwasher is turned on and the door is closed securely. Make sure the power cord is properly plugged into the wall socket.   |
|   | Dishwasher door is not properly closed      | Close dishwasher, ensuring that the door latches.  |
| Water not pumped from dishwasher          | Kink in drain hose                          | Check drain hose   |
|   | Filter clogged                              | Check coarse filter  |
|   | Kitchen sink clogged                        | Ensure kitchen sink is draining well. If sink is not draining refer to a plumber.  |
| Suds in tub                               | Improper detergent                          | Use only the specified detergent. If improper detergent was used, open the dishwasher allowing suds to evaporate. Add 1 gal. of cold water to the tub. Close and latch the door. Start the "SOAK" wash cycle to drain the water. Repeat if necessary |
|   | Spilled rinse-aid                           | Always clean up rinse-aid spills immediately.  |
| Stained tub interior                      | Detergent used contained colorant           | Do not use detergents with colorants.  |
| White film on dishwasher interior surface | Hard water minerals                         | While wearing rubber gloves, use a damp sponge to clean the interior with dishwasher detergent. Never use any other cleaner to clean dishwasher.   |
| Rust stains appear on cutlery             | Items are not non-corrosive.                | Do not place non-dishwasher safe items in dishwasher.  |

## **Troubleshooting continued**

| <b>Issue</b>                        | <b>Possible Cause</b>  | <b>Solution</b>   |
|-------------------------------------|--|---|
| Knocking noise inside of dishwasher | The spray arm is knocking against an item in the dish rack.                                    | Pause the wash cycle and rearrange the items which are obstructing the movement of the spray arm. |
| Rattling noise inside of dishwasher | Item is not securely placed in dishrack.   | Pause the wash cycle and secure the items in the dish rack.                                       |
| Knocking noise in water pipes       | Pipe cross-section may problems.   | Contact a plumber. This is not related to the dishwasher.   |
| Dishes are not cleaned              | Dishes were not loaded properly.   | See notes in loading the dishwasher (pg. 7).  |
|                                     | The wash cycle was not powerful enough.  | Select a more intensive wash cycle (see pg. 6).   |
|                                     | Not enough detergent was dispensed.  | Use more or change brand of detergent.  |
|                                     | Items are blocking the path of the spray arms.   | Rearrange the items so the spray arms can fully rotate (pg. 7)                                    |
|                                     | The filter combination in the base of the dishwasher is not clean or is installed incorrectly. | Clean and/or install the filter combination correctly (pg. 14).                                   |
| Cloudiness on glassware             | Combination of too much detergent with soft water.   | Use less detergent and/or select the shortest wash cycle to clean glassware.                      |
|                                     | The filter may be dusty or blocked   | Clean the filter and replace it if needed (pg.14).  |
| Black or gray marks on dishes       | Utensils may have rubbed against dishes  | Use a mild abrasive cleaner to eliminate marks. Load carefully.                                   |
| Detergent left in dispenser cup     | Dishes are blocking detergent cups   | Re-load dishwasher according to instructions.   |
| The dishes are not dry              | Improper Loading   | Re-load dishwasher according to instructions.   |
|                                     | Not enough rinse-aid   | Refill and/or increase the amount of rinse-aid.   |
|                                     | Dishes are removed too soon  | Do not remove dishes from dishwasher immediately.   |
|                                     | Wrong cycle selected   | Short cycles have lower cleaning performance. Choose a more intensive cycle (pg. 6).              |
|                                     | Cutlery has a low-quality coating  | Dishwasher is not suitable for low-quality coating.   |

## Specifications

|                                    |                                  |
|------------------------------------|----------------------------------|
| Description of product             | Dishwasher (Portable/Countertop) |
| Models                             | DWP60ES, DWP60EB, DWP60EW        |
| Number of Place Settings           | 6                                |
| Maximum Diameter of Place Settings | 10.5"                            |
| Number of Wash Cycles              | 6                                |
| Max Water Temperature              | 149°F                            |
| Water Consumption (Normal Wash)    | 3.8 Gallons                      |
| Drain Pump                         | Yes                              |
| Interior                           | Stainless Steel                  |
| Voltage/Frequency                  | 120V/60Hz                        |
| Current                            | 5.72A                            |
| Dimensions<br>H x W x D            | 17.2" x 21.7" x 19.7"            |
| Weight                             | 50 lbs                           |

# EdgeStar Limited Warranty

## One (1) Year Parts & Ninety (90) Days Labor

This product is warranted by EdgeStar to be free from defective workmanship and materials, subject to any conditions set forth as follows:

### WHAT IS COVERED:

**LABOR:** For a period of NINETY (90) DAYS from the date of original purchase, labor will be performed free of charge at an authorized EdgeStar repair facility. At its option, EdgeStar will repair the product with new or remanufactured parts, or exchange the defective product with a new, refurbished, or remanufactured product. If a product is replaced, it will carry the remaining warranty of the original product. After the ninety (90) day period, EdgeStar will no longer be responsible for labor charges incurred. All defective products and parts covered by this warranty will be repaired or replaced on a mail-in basis to an EdgeStar authorized repair facility.

**PARTS:** For a period of ONE (1) YEAR from the date of original purchase, EdgeStar will supply new, rebuilt, or refurbished parts free of charge. EdgeStar may request a defective part be returned in exchange for the replacement part. All replacement parts or products will be new, remanufactured, or refurbished. All products and parts replaced by EdgeStar under warranty service become the property of EdgeStar.

This warranty applies to the original purchaser only, and only covers defects in workmanship experienced during operation of the product under normal service, maintenance, and usage conditions. This warranty applies to the purchase and use of this product in residential settings within the United States of America.

### WHAT IS NOT COVERED:

The following limitations apply to the coverage of this warranty. This warranty does not cover:

- Labor charges for installation, setup or training to use the product.
- Shipping damage, and any damage caused by improper packaging for shipment to an authorized service center, and any damaged caused by improper voltage or any other misuse, including abnormal service, handling, or usage.
- Cosmetic damage such as scratches and dents.
- Normal wear and tear on parts or replacement of parts designed to be replaced, e.g. filters, cartridges, batteries.
- Service trips to deliver, pick-up, or repair, install the product, or to instruct in proper usage of the product.
- Damages or operating problems resulting from misuse, abuse, operation outside environmental specifications, uses contrary to instructions provided in the owner's manual, accidents, acts of God, vermin, fire, flood, improper installation, unauthorized service, maintenance negligence, unauthorized installation or modification, or commercial use.
- Labor charges incurred 91 days or more after the date of original purchase.
- The use of EdgeStar products in commercial settings.
- Optional accessories, attachments, and appearance items.
- Products that have been modified to perform outside of specifications without the prior written permission of EdgeStar.
- Products lost in shipment, or theft.
- Products sold AS IS or from an unauthorized reseller.
- Products that have had their serial numbers removed or defaced. Products with serial numbers that have been invalidated.

### OBTAINING WARRANTY SERVICE:

If you believe your product is defective, contact EdgeStar Customer Support for troubleshooting assistance and warranty service at 1-866-319-5473. Please have your serial number and proof of purchase available. Once an EdgeStar authorized representative has confirmed that your product is defective and eligible for warranty service, the product must be returned to an EdgeStar repair facility. The purchaser is solely responsible for prepaying all shipping related costs to and from the repair facility. EdgeStar is not responsible for damage resulting from shipper mishandling or improper packaging. Do not return a defective product to the place of purchase. Products received without a return authorization number will be refused.

THIS WARRANTY IS IN LIEU OF ANY OTHER WARRANTY, EXPRESS OR IMPLIED, INCLUDING WITHOUT LIMITATION, ANY WARRANTY OF MERCHANTABILITY OR FITNESS FOR A PARTICULAR PURPOSE. TO THE EXTENT ANY IMPLIED WARRANTY IS REQUIRED BY LAW, IT IS LIMITED IN DURATION TO THE EXPRESS WARRANTY PERIOD ABOVE. NEITHER THE MANUFACTURER NOR ITS DISTRIBUTORS SHALL BE LIABLE FOR ANY INCIDENTAL, CONSEQUENTIAL, INDIRECT, SPECIAL, OR PUNITIVE DAMAGES OF ANY NATURE, INCLUDING WITHOUT LIMITATION, LOST REVENUES OR PROFITS, OR ANY OTHER DAMAGE WHETHER BASED IN CONTRACT, TORT, OR OTHERWISE. SOME STATES DO NOT ALLOW THE EXCLUSION OF INCIDENTAL OR CONSEQUENTIAL DAMAGES, SO THE ABOVE EXCLUSION MAY NOT APPLY TO YOU. THIS WARRANTY GIVES YOU SPECIFIC LEGAL RIGHTS. YOU MAY HAVE OTHER RIGHTS THAT VARY FROM STATE TO STATE.



EdgeStar Products  
Box 81336  
Austin, TX 78708-1336

Toll Free: 1-866-319-5473  
Web: <http://www.edgestar.com>  
E-mail: [service@edgestar.com](mailto:service@edgestar.com)

Register your product, download owner's manuals, access additional troubleshooting resources, and obtain more information on other great EdgeStar products on the web at: **<http://www.edgestar.com>**

Product contents and specifications may change without notice.

Copyright © 2009 Living Direct, Inc.



## Free Manuals Download Website

<http://myh66.com>

<http://usermanuals.us>

<http://www.somanuals.com>

<http://www.4manuals.cc>

<http://www.manual-lib.com>

<http://www.404manual.com>

<http://www.luxmanual.com>

<http://aubethermostatmanual.com>

Golf course search by state

<http://golfingnear.com>

Email search by domain

<http://emailbydomain.com>

Auto manuals search

<http://auto.somanuals.com>

TV manuals search

<http://tv.somanuals.com>