



**EAC210TS**

**Evaporative Air Cooler - Tower Design**

**Owner's Manual**

This owner's manual provides instructions on safe installation, use, and maintenance. Please read it carefully and save it for reference.



<http://www.edgestar.com>

## Thank you

Thank you for purchasing an EdgeStar tower air cooler. Rest assured that all EdgeStar products are designed and manufactured to the highest standards. We would like you to be able to fully utilize all features of this portable air conditioner, so please take the time to read this owner's manual in full prior to using the unit.

Here are a few of the features of this appliance:

- Strong airflow with a quiet motor
- Air purifying ionizer function
- Auto tower oscillation function
- Large water reservoir for extended cooling
- Built-in timer
- LED display
- Water pump with washable fabric water curtain
- Washable pre-filter

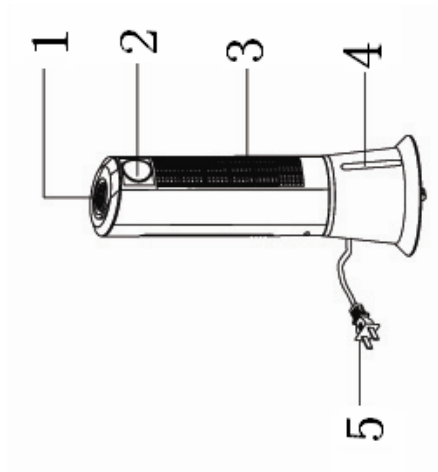
## Warnings

- Use this unit only on 110-115-120V, 60Hz electrical circuits
- View the rating label on the unit for power requirements
- Keep all fingers and other foreign objects clear of the internal fan at all times
- Contact EdgeStar Service for all technical support and service at 866-319-5473
- Service by licensed technicians only
- Do not use flammable liquids or gases around the unit
- Designed for indoor use only
- Disconnect the unit prior to cleaning or service
- Please do not pull the cord to unplug the unit- pull on the plug only

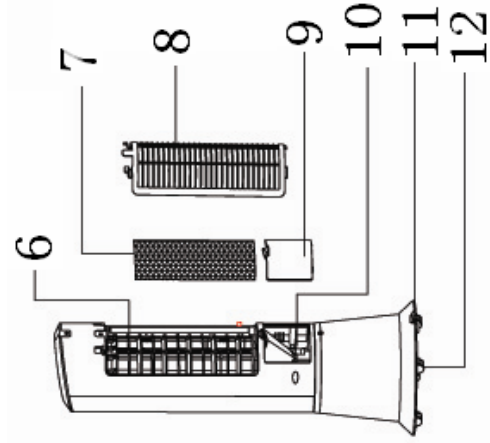
## Suggestions

- Do not fill with water above the "MAX" line
- When the unit has water in it, be careful when moving it from place to place
- If the unit is tipped over while filled with water, immediately unplug the unit and right it. Allow the unit to dry for 24 hours prior to operating it to minimize the risk of damaging the circuit board.
- Do not put any foreign objects into the unit or water reservoir
- Clean the exterior of the unit with a soft cloth and a mild soapy water solution only
- If the unit becomes noisier as it gets older and/or the airflow becomes less robust, try cleaning the fabric water curtain and pre-filter
- Make sure the unit has adequate ventilation around it to ensure airflow both into the rear of the unit and out of the front of the unit
- The unit will cool best in low ambient humidity situations
- Unplug the unit when not in use
- Never allow unobserved children to play with or around the unit
- If the power cord is damaged, an authorized technician must replace it

## Components



1. Control panel
2. Display
3. Air outlet
4. Water level indicator
5. Power cord
6. Air inlet
7. Fabric water curtain
8. Pre-filter
9. Water port door
10. Water port
11. Drain plug
12. Caster (unit has 4 casters)

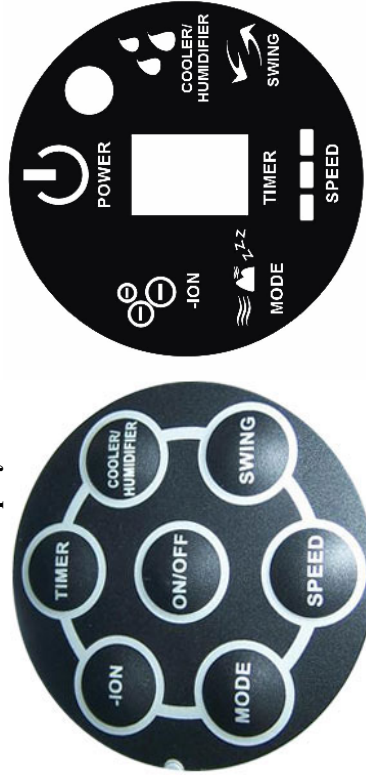


## Included Accessories



- Ice packs (2)
- Remote control
- Owner's manual and other literature

## Control Panel and Display



*Note: the buttons on the remote control have the same functionality as those on the main control panel*

- ON/OFF- this button turns the unit on or off

- **TIMER-** each time this button is pressed, the digit in the middle of the display increments up by 1. The digit in the display corresponds to the amount of time (in hours) that the unit will run before shutting itself off. If you do not select a timer setting, the unit will run continuously
- **COOLER/HUMIDIFIER-** this button turns on or off the cooling function. When the "COOLER/HUMIDIFIER" light on the control panel is lit, the unit pumps water from its reservoir over the fabric water curtain. As air is drawn past this water, the endothermic effects of evaporation result in cooling
- **SWING-** this button turns on or off the oscillation function. When the unit oscillates, the base remains still and the upper part of the tower turns back and forth, directing airflow around the room
- **SPEED-** this button adjust the speed. There are three speed settings for airflow. Note that when the unit is initially turned on, it starts on medium speed and changes to low speed automatically
- **MODE-** this button toggles the airflow functions. There are three functions:
  - *Normal/manual-* this mode, represented by three horizontal wavy lines, allows you to manually set the airflow speed
  - *Natural/variable-* this mode, represented by a mountain, automatically shifts the airflow speeds between the three settings
  - *Sleep-* this mode, represented by "ZZZ", operates like the Normal/manual mode, but the airflow speed gradually decreases over a period of 1-2 hours, and the unit eventually turns itself off. The higher the initial airflow setting, the longer the unit runs before shutting off, and the greater the different airflow speeds the unit cycles through prior to shutting off

- **-ION-** this button toggles the ionizer on and off. The ionizer cleans the air that passes through the unit

### Unpacking and first using the unit

- Carefully open the box(es) and take the unit out. Remove all packing/plastic bags, etc.
- Set the unit upright
- Plug the unit in
- Open the water port and fill the unit with water. Do not over-fill the unit.
- Close the water port door
- Turn the unit on with the ON/OFF button and select your desired settings

*Note: the unit includes two ice boxes. To use them, fill them with water and freeze them. Then put them into the unit's water reservoir. You may use them one at a time or concurrently.*

### Draining the unit

- If you ever need to drain the unit, first make sure the unit is in an appropriate place for drainage
- Remove the drain plug from the rear of the unit
- Allow the water to drain out
- Reinstall the drain plug

### Cleaning

- *Pre-filter-* depending on the environment, the pre-filter may require cleaning every two weeks to every two months or more. The easiest way to clean the pre-filter is to vacuum it with a brush attachment. If the pre-filter is exceptionally dirty, you may remove it from the unit (unplug the unit first) and wash it in a mild soap and water solution. Rinse it thoroughly and allow it to dry completely before reinstalling.

- *Fabric water curtain*- this should also be cleaned every two weeks to every two months, again depending upon the environment. Unplug the unit, remove the pre-filter, and gently remove the fabric water curtain (it should pull off the fastening strips). Wash it in a mild soap and water solution. Rinse it thoroughly and allow it to dry completely before reinstalling.
- *Water tank*- if the tank becomes dirty, mildewy, or acquires hard water deposits, unplug the unit, remove the water port door and carefully clean the inside of the tank with a soft cloth and a mild soap and water solution. Rinse out the solution and drain the unit as best you can, but take care not to get any of the unit's electronics wet.
- Exterior of the unit- unplug the unit. Carefully wash it with a mild soap and water solution and a soft cloth. Dry the unit with a soft cloth.

#### **Limited Warranty**

This EdgeStar product is warranted to be free from defective workmanship and materials for the first year following the date of original purchase. Replacement parts will be supplied free of charge for the first year following the date of original purchase. Labor will be performed free of charge for the first 90 days following the date of original purchase.

#### **WHAT IS COVERED:**

This warranty applies to the original purchaser only, and only covers defects in workmanship experienced during operation of the product under normal service, maintenance, and usage conditions. This warranty applies to the purchase and use of this product in residential settings within the United States of America.

#### **WHAT IS NOT COVERED:**

The following limitations apply to the coverage of this warranty: Optional accessories, attachments, and appearance items are excluded from warranty coverage, as is shipping damage, and any damage caused by

improper voltage or any other misuse, including abnormal service, handling, or usage.

This warranty does not cover normal wear and tear on parts or replacement of parts designed to be replaced, e.g. filters, etc.

This warranty does not cover service trips to deliver, pick-up, repair, or install the product, or to instruct in proper usage of the product.

Damages or operating problems resulting from abuse, operation outside environmental specifications, uses contrary to instructions provided in the owner's manual, accidents, vermin, fire, flood, improper installation, unauthorized service, acts of God, unauthorized installation or modification, or commercial use are excluded from warranty coverage.

This warranty does not cover labor incurred 91 days or more after the date of original purchase.

This warranty does not cover use of EdgeStar products in commercial settings.

#### **DESCRIPTION OF WARRANTY SERVICE:**

All defective product components covered by this warranty will be repaired or replaced, at EdgeStar's option, free of charge on a mail-in basis to EdgeStar's authorized repair facility during the first 90 days from the date of original purchase.

All defective product components covered by this warranty will be repaired or replaced, at EdgeStar's option, on a mail-in basis to EdgeStar's authorized repair facility during the time period beginning on the 91<sup>st</sup> day from the date of original purchase and ending one year from the date of original purchase. During this time period, parts will be supplied free of charge, but labor charges will apply.

All replacement parts and units will be new, remanufactured, or refurbished.

All products and components replaced by EdgeStar under warranty service become the property of EdgeStar.

#### **OBTAINING WARRANTY SERVICE:**

Contact EdgeStar for troubleshooting assistance and warranty service authorization at 1-866-319-5473. Please have your order receipt available to confirm the date of purchase.

Once an EdgeStar authorized representative has confirmed that your product is eligible for warranty service, the product must be returned to an EdgeStar authorized repair facility.

The purchaser is solely responsible for prepaying all shipping related costs to and from the repair facility.

EdgeStar is not responsible for damage resulting from shipper mishandling or improper packaging.

Do not return defective product to the place of purchase.

THIS WARRANTY IS IN LIEU OF ANY OTHER WARRANTY, EXPRESS OR IMPLIED, INCLUDING WITHOUT LIMITATION, ANY WARRANTY OF MERCHANTABILITY OR FITNESS FOR A PARTICULAR PURPOSE. TO THE EXTENT ANY IMPLIED WARRANTY IS REQUIRED BY LAW, IT IS LIMITED IN DURATION TO THE EXPRESS WARRANTY PERIOD ABOVE. NEITHER THE MANUFACTURER NOR ITS DISTRIBUTORS SHALL BE LIABLE FOR ANY INCIDENTAL, CONSEQUENTIAL, INDIRECT, SPECIAL, OR PUNITIVE DAMAGES OF ANY NATURE, INCLUDING WITHOUT LIMITATION, LOST REVENUES OR PROFITS, OR ANY OTHER DAMAGE WHETHER BASED IN CONTRACT, TORT, OR OTHERWISE. SOME STATES DO NOT ALLOW THE EXCLUSION OF INCIDENTAL OR CONSEQUENTIAL DAMAGES, SO THE ABOVE EXCLUSION MAY NOT APPLY TO YOU. THIS WARRANTY GIVES YOU SPECIFIC LEGAL RIGHTS. YOU MAY HAVE OTHER RIGHTS THAT VARY FROM STATE TO STATE.



For information on EdgeStar and to view our  
full line of products, please visit our website:  
**<http://www.edgestar.com>**

EdgeStar Products  
Box 81336  
Austin, Texas 78708-1336  
**Toll Free: 1-866-319-5473**

## Free Manuals Download Website

<http://myh66.com>

<http://usermanuals.us>

<http://www.somanuals.com>

<http://www.4manuals.cc>

<http://www.manual-lib.com>

<http://www.404manual.com>

<http://www.luxmanual.com>

<http://aubethermostatmanual.com>

Golf course search by state

<http://golfingnear.com>

Email search by domain

<http://emailbydomain.com>

Auto manuals search

<http://auto.somanuals.com>

TV manuals search

<http://tv.somanuals.com>