

R251  
User's Manual

# IMPORTANT SAFETY INFORMATION



The lightning flash with arrowhead, within an equilateral triangle, is intended to alert the user to the presence of Uninsulated "dangerous voltage" within the product's Enclosure that may be of sufficient magnitude to constitute a risk of electric shock to persons.



CAUTION: TO PREVENT THE RISK OF ELECTRIC SHOCK, DO NOT REMOVE COVER (OR BACK). NO USER-SERVICEABLE PARTS INSIDE. REFER SERVICING TO QUALIFIED SERVICE PERSONNEL.



The exclamation point within an equilateral triangle is intended to alert the user to the presence of important operating and maintenance (servicing) instructions in the literature accompanying the Appliance.

## SAFETY INSTRUCTIONS

- Read these instructions.
- Keep these instructions.
- Heed all warnings.
- Follow all instructions.
- Install in accordance with the manufacturer's Instructions.
- Do not use the speakers near water, and do not immerse them in any liquid or pour any liquid on them.
- Do not block the openings in the speaker cabinets, never push objects into speaker vents or slots because of fire or electric shock hazards, and provide sufficient space around the speakers for proper ventilation.
- The apparatus shall not be exposed to dripping or splashing and that no objects filled with liquids, such as vases, shall be placed on the apparatus.
- Do not install near any heat sources such as radiators, heat registers, stoves, or other apparatus (including amplifiers) that produce heat.
- Do not defeat the safety purpose of the polarized plug.
- A polarized plug has two blades with one wider than the other. The wide blade is provided for your safety. If the provided plug does not fit into your outlet, consult an electrician for replacement of the obsolete outlet.
- Protect the power cord from being walked on or pinched particularly at plugs, convenience receptacles, and the point where they exit from the apparatus.
- For added protection during lightning storms, unplug the speakers from the electrical outlet and turn off the computer.
- Unplug this apparatus when unused for long periods of time.
- Water and moisture ---- Do not use the speakers near water, and do not immerse them in any liquid or pour any liquid on them.
- Heat ---- Place the speakers away from all heat sources.
- Ventilation ---- Do not block the openings in the speaker cabinets, never push objects into speaker vents or slots because of fire or electric shock hazards, and provide sufficient space around the speakers for proper ventilation.
- Location ---- Place the speakers in a stable location so they will not fall causing damage to the speakers or bodily harm.
- Cleaning ---- Unplug the speakers from the computer and from the electrical outlet before cleaning them with a damp cloth.
- Lightning ---- For added protection during lightning storms, unplug the speakers from the electrical outlet and turn off the computer.
- Servicing is required when the apparatus has been damaged in any way, such as power-supply cord or plug is damaged, liquid has been spilled or objects have fallen into the apparatus, the apparatus has been exposed to rain or moisture, does not operate normally, or has been dropped. Refer all servicing to qualified service personnel.
- Please adjust the audio to proper volume to avoid damaging your health and the system.

**WARNING:**  
**TO REDUCE THE RISK OF ELECTRIC SHOCK,  
DO NOT EXPOSE THIS APPARATUS TO RAIN  
OR MOISTURE.**

## One Year Limited Warranty

Edifier warrants to the end user that all of its computer speaker systems are free from defects in material and workmanship in the course of normal and reasonable use for a term of one year from the date of purchase.

This warranty is the exclusive and only warranty in effect relative to Edifier multimedia speaker systems and any other warranties, either expressed or implied, are invalid. Neither Edifier nor any authorized Edifier reseller is responsible for any incidental damages incurred in the use of the speakers. (This limitation of incidental or consequential damage is not applicable where prohibited.)

Edifier obligation under this warranty does not apply to any defect, malfunction or failure as a result of misuse, abuse, improper installation, use with faulty or improper equipment or the use of the speaker systems with any equipment for which they were not intended.

The terms of this warranty apply only to speaker systems when such speakers are returned to the respective authorized Edifier reseller where they were purchased.

Under the terms of this warranty the original consumer purchaser has certain legal rights and may have other rights which vary worldwide.

Copyright © 2005

All Rights Reserved.

Manual Edition 1.1, Jun 2005

Printed in CHINA

## Welcome !

Very thanks for choosing Edifier multimedia speaker, it can provide good sound for multimedia Computer and home theater. Before operating the system, please read this manual thoroughly and retain it for future reference.

## Notice

**Edifier** and Edifier logo are owned by Edifier Enterprises Canada Inc. and may be registered. And other brand names and trademarks are the property of their owners. Edifier assumes no responsibility for any errors that may appear in this manual. Information contained herein is subject to change without notice.

Introduction:

- \* Completely MDF wooden case.
- \* 5" Long-throw subwoofer driver.
- \* 2 3/4" full range satellite speaker.
- \* Bass and volume controllers.
- \* Magnetically shield speakers.

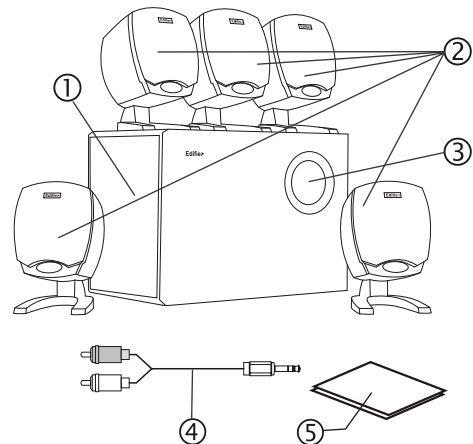
Open the packing

Please check the speaker pattern marked on the package. Please contact the seller as soon as possible if you find the speaker is not the pattern you want.

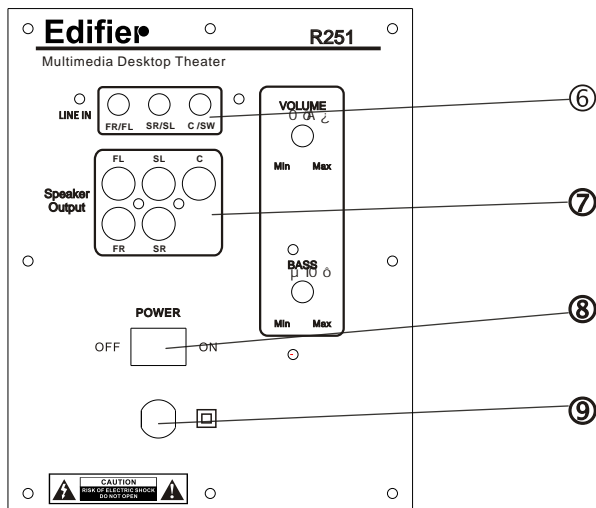
\* R251 packing list:

- 1 x Sub Woofer
- 5 x satellite Speakers
- 3 x Audio Connecting Cord
- 1 x User's Manual

\* Overview

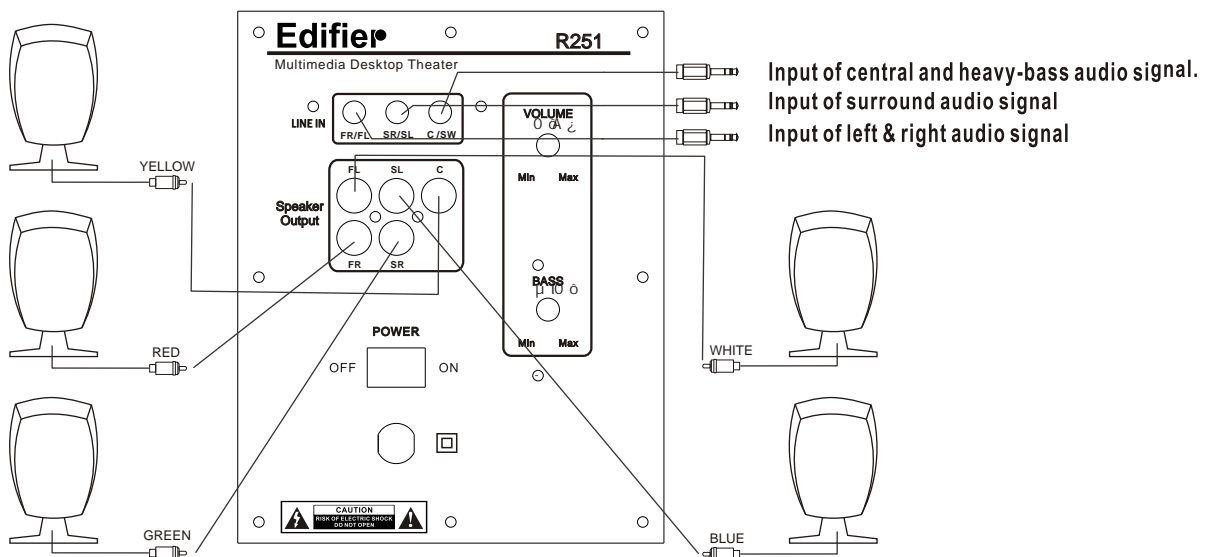


Introduction of backpanel



- 1、 Sub Woofer
- 2、 Satellite Speakers
- 3、 Inverse-phase hole
- 4、 Audio connecting cord
- 5、 User's Manual
- 6、 Line In Port
- 7、 Speaker Out
- 8、 Power Switch
- 9、 Power Cord

CONNECTING



## OPERATING INSTRUCTIONS:

Surround sound speaker systems using 5.1 format are designed to connect to compatible audio devices offering 5.1 output. Many pc's and DVD players already offer this type of output. If you only have a 2 channel stereo output it may be possible to purchase a Dolby digital 5.1 decoder which will convert this into a 5.1 format. This is not included with these speakers. If you must use a 2 channel input then this should be connected to the front L and front R input. This will result in a stereo output only.

### 1.POSITIONING

If you have the 5.1 surround sound input then you can experience the full performance of this system. You will have the individual outputs for the subwoofer, front stereo, rear stereo and front centre speakers. Position the front stereo speakers in front of the listening position and an equal distance to the left and right sides. Ideally the speakers should be about ear height (when sitting to listen) if possible and slightly away from a rear wall but they can be hooded onto a wall if necessary. If they are placed on a slippery surface, a little blue-tack may help hold them in place. These speakers contribute a lot to the overall audio so careful placement is crucial to your enjoyment of the music.

The centre speaker should be placed on your TV screen or your computer screen (depending upon application) as this speaker is used for vocal content. The voices in a movie need to sound as though they are coming from the TV set so try positioning this on top of the set.

The rear speakers are used for special effects and are not as crucial in their placement. A good position for these is high up on the wall behind the listening position, perhaps pointing downward a little.

The subwoofer houses a powerful bass driver and the positioning of this unit can have an effect on the quality of the bass. If the unit is placed in a corner, the bass will be amplified by the reflection from the walls. This position will give maximum bass but can sound quite boomy. A position near a rear wall but away from the corner is best as this will give a little boost to the bass without being too much. Experiment with the position to achieve best results. Also note that the unit receives the signals from the remote control. The range of transmission from the remote is not too great so don't position the bass unit too far from the listening position.

### 2.CONNECTING

(1). Switch off the power first before connecting any part of the system.

(2). Connect all 5 satellite speakers to their relative speaker output spring clips on the rear panel of the subwoofer. Please note to match the colour, red to red and black to black. Note that the cable for the rear speakers is longer than the front.

(3). Connect the inputs to your PC or DVD player as shown in figure.

(4). Plug the AC power plug into the wall outlet, as shown in figure.

## SPECIFICATIONS:

Total Power Output:	RMS 2.3W x 5 + 15W
Input Impedance:	10K Ohm
Input Sensitive:	250 mV
Bass Unit:	5" Aluminum coil, 4 Ohm
Tweeter Unit:	2 3/4" Paper coil, 4 Ohm
Frequency Response:	48 Hz ~ 20 KHz
Dimension (Subwoofer):	158(W) x 194(H) x 286(D) mm
Dimension (Satellite):	86(W) x 139(H) x 100(D) mm
Gross Weight:	About 6.4Kg

# Edifier®

## Free Manuals Download Website

<http://myh66.com>

<http://usermanuals.us>

<http://www.somanuals.com>

<http://www.4manuals.cc>

<http://www.manual-lib.com>

<http://www.404manual.com>

<http://www.luxmanual.com>

<http://aubethermostatmanual.com>

Golf course search by state

<http://golfingnear.com>

Email search by domain

<http://emailbydomain.com>

Auto manuals search

<http://auto.somanuals.com>

TV manuals search

<http://tv.somanuals.com>