

EIKI

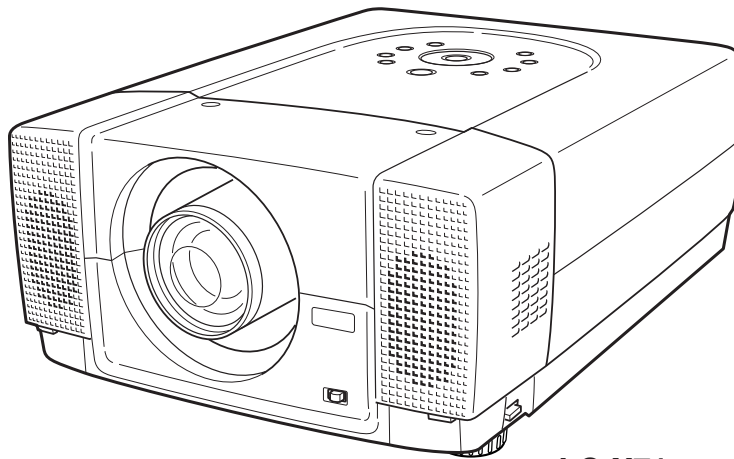
SERVICE MANUAL Multimedia Projector

Model No. **LC-X71**
LC-X71L

(U.S.A., Canada, Europe)

ORIGINAL VERSION

Chassis No. KE6-X7100
KE6-X71L00



LC-X71
LC-X71L (LENSLESS)

Give complete "Chassis No." for parts order or servicing, it is shown on the rating sheet on the cabinet on the projector.

FOREWORD

For your convenience, all service parts, identified in this manual are available through Eiki's normal distribution channels.

In addition to service part number, the generic descriptions have been given, where possible, to allow your service technicians to substitute equivalent components which might be available from other sources.

All orders for service parts will be honored. However, in instances where generic components are considered to be available from several common sources, as would be the case with an industry standard fuse, resistor, or semiconductor, it may be more economical and expeditious to purchase the part locally.

PRODUCT CODE

LC-X71	1 122 340 01	(KE6B)
LC-X71	1 122 341 01	(LE6B)
LC-X71L	1 122 340 21	(KE6BL)
LC-X71L	1 122 341 21	(LE6BL)

REFERENCE NO. SM5110788-00

Contents

Contents	.2
Safety Instructions	.3
Specifications	.4
Circuit Protections	.5
Mechanical Disassemblies	.7
Optical Parts Disassemblies	.12
LCD Panel/Prism Ass'y Replacement	.17
Lamp Replacement	.19
Adjustments after Parts Replacement	.20
Optical Adjustments	.21
Electrical Adjustments	.24
Service Adjustment Menu Operation	.24
Circuit Adjustments	.25
Test Points and Locations	.29
Service Adjustment Data Table	.30
Chassis Description	.40
Chassis block diagrams	.40
LED indication and projector condition	.47
Power failure detection system	.48
Power failure detection tree	.49
Diagnosis of power failure with RS-232C port	.50
Error history log	.51
Control Port Functions	.52
Waveforms	.58
Cleaning	.59
IC Block Diagrams	.60
Electrical Parts List	.68
Mechanical Parts List	.98
Optical Parts List	.100


Drawings & Diagrams A1-A17

Parts description and reading in schematic diagram	A2
Schematic diagrams	A3-A10
Printed wiring board diagrams	A11-A16
Pins description of ICs, transistors, diodes	A17

Safety Instructions

SAFETY PRECAUTIONS

WARNING:

The chassis of this projector is isolated (COLD) from AC line by using the converter transformer. Primary side of the converter and lamp power supply unit circuit is connected to the AC line and it is hot, which hot circuit is identified with the line () in the schematic diagram. For continued product safety and protection of personnel injury, servicing should be made with qualified personnel.

The following precautions must be observed.


- 1: An isolation transformer should be connected in the power line between the projector and the AC line before any service is performed on the projector.
- 2: Comply with all caution and safety-related notes provided on the cabinet back, cabinet bottom, inside the cabinet or on the chassis.
- 3: When replacing a chassis in the cabinet, always be certain that all the protective devices are installed properly, such as, control knobs, adjustment covers or shields, barriers, etc.

DO NOT OPERATE THIS PROJECTOR WITHOUT THE PROTECTIVE SHIELD IN POSITION AND PROPERLY SECURED.

4: Before replacing the cabinet cover, thoroughly inspect the inside of the cabinet to see that no stray parts or tools have been left inside.

Before returning any projector to the customer, the service personnel must be sure it is completely safe to operate without danger of electric shock.

PRODUCT SAFETY NOTICE

Product safety should be considered when a component replacement is made in any area of the projector. Components indicated by mark  in the parts list and the schematic diagram designate components in which safety can be of special significance. It is, therefore, particularly recommended that the replacement of these parts must be made by exactly the same parts.

SERVICE PERSONNEL WARNING

Eye damage may result from directly viewing the light produced by the Lamp used in this equipment. Always turn off Lamp before opening cover. The Ultraviolet radiation eye protection required during this servicing. Never turn the power on without the lamp to avoid electric-shock or damage of the devices since the stabilizer generates high voltages (about 8kV) at its starts. Since the lamp is very high temperature during units operation, replacement of the lamp should be done at least 45 minutes after the power has been turned off, to allow the lamp cool-off.

DO NOT ATTEMPT TO SERVICING THE REMOTE CONTROL UNIT.

Laser Beam may be leaked out when in disassemble the Unit. As the Laser Beam used in this Remote control unit is harmful to the eyes.

CAUTION

LASER RADIATION-
DO NOT STARE INTO BEAM



MAX OUTPUT : 1mW
WAVE LENGTH : 650±20nm
CLASS II LASER PRODUCT

This product is complied with
21 CFR part 1040.10

LASER RADIATION
DO NOT STARE INTO BEAM
CLASS 2 LASER PRODUCT
LASER-STRAHLUNG
NICHT IN DEN STRAHL BLICKEN
LASER KLASSE 2
レーザ放射 クラス2 レーザ製品
ビームをのぞき込まないこと
IEC60825-1, Am.1 1997, Am.2 2001
MAX OUTPUT (最大出力) : 1mW
WAVE LENGTH (波長) : 650±20nm

Specifications

Projector Type	Multi-media Projector
Dimensions (W x H x D)	12.6" x 6.6" x 16.8" (319 mm x 170.8 mm x 435.5 mm)
Net Weight	19.8 lbs (9.0 kg) LC-X71, 18.0 lbs (8.2 kg) LC-X71L
LCD Panel System	1.3" TFT Active Matrix type, 3 panels
Panel Resolution	1024 x 768 dots
Number of Pixels	2,359,296 (1024 x 768 x 3 panels)
Color System	PAL, SECAM, NTSC, NTSC4.43, PAL-M, and PAL-N
High Definition TV Signal	480i, 480p, 575i, 575p, 720p, 1035i, and 1080i
Scanning Frequency	H-sync. 15 kHz ~ 100 kHz, V-sync. 48 ~ 100 Hz
Projection Lens	F1.8 ~ 2.1 lens with f=48.4 mm ~ 62.8 mm Motor zoom and focus (LC-X71)
Throw distance	4.6' (1.4 m) ~ 48.3' (14.7 m)
Motorized Lens Shift	Up and Down
Projection Image Size (Diagonal)	Adjustable from 31" to 400"
Horizontal Resolution	800 TV lines (HDTV)
Projection Lamp	300 watt type
Input 1 Jacks	DVI Terminal (Digital) HDCP Compatible, HDB 15-pin Terminal (Analog) and Stereo Mini Type Jack (Audio)
Input 2 Jacks	BNC Type x 5 (G or VIDEO/Y, B or Cb/Pb, R or Cr/Pr, H/V, and V), Stereo Mini Type Jack (Audio)
Input 3 Jacks	RCA Type x 3 (VIDEO/Y, Cb/Pb and Cr/Pr), RCA Type x 2 (Audio R and L) and DIN 4-pin (S-Video)
Other Jacks	DIN 8-pin (Control port), USB port (Series B receptacle), Wired Remote Jack and Pj-to NetDirector Connector
Built-in Speakers	INT. SP. Stereo (R and L), 3 watt RMS (T.H.D. 10%)
Feet Adjustment	0° to 10.5°
Voltage and Power Consumption	AC 100 ~ 120 V (5.7 A Max. Ampere), 50/60 Hz (The U.S.A and Canada) AC 200 ~ 240 V (2.7 A Max. Ampere), 50/60 Hz (Continental Europe)
Operating Temperature	41 °F ~ 95 °F (5 °C ~ 35 °C)
Storage Temperature	14 °F ~ 140 °F (-10 °C ~ 60 °C)
Remote Control Transmitter	Power Source : AA or LR6 ALKALINE Type x 2 Operating Range : 16.4' (5 m)/±30° Dimensions : 2.0" x 1.4" x 7.6" (50 mm x 36 mm x 193 mm) Net Weight : 0.35 lbs (160 g) (including batteries) Laser Pointer : Class II Laser (Max. Output: 1mW/Wave length: 650±20nm)
Accessories	Owner's Manual (CD-ROM) Quick Reference Guide AC Power Cord Wireless/Wired Remote Control Transmitter and Batteries VGA Cable USB Cable Control Cable for Serial Port Lens Cap (LC-X71) Lens Attachment Lens Replacement And Installation Manual PIN Code Label

- Specifications are subject to change without notice.
- LCD panels are manufactured to the highest possible standards. Even though 99.99% of the pixels are effective, a tiny fraction of the pixels (0.01% or less) may be ineffective by the characteristics of the LCD panels.
- Each projector has its own characteristics.
When projecting with several projectors on the same screen or side by side, you may recognize different white balance and color uniformity on each projector.

Circuit Protections

This projector is equipped with the following circuit protections to operate in safety. If the abnormality occurs inside the projector, it will automatically turn off by operating one of the following protection circuits.

● Fuse

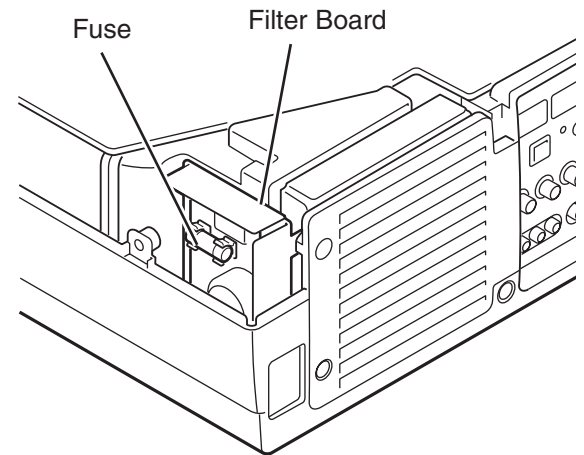
The fuse is located inside of the projector. When either the LAMP indicator or the READY indicator is not illuminated, fuse may be opened. Check the fuse as following steps. It should be used the specified fuse as follows;

Fuse Part No.: 423 025 1201
TYPE T8AH 250V FUSE
LITTEL FUSE INC. TYPE 215008

How to replace the fuse

1. Remove the cabinet top following to "Mechanical Disassemblies".
2. Remove the fuse from fuse holder.

To install the fuse, take reversed step in the above.



● Thermal switch

There is the thermal switch (SW905) inside of the projector to prevent the internal temperature from rising abnormally. When the internal temperature reaches near 90°C, turn off the AC main power supply automatically.

The thermal switch is not reset to normal automatically even if the internal temperature becomes normal. Reset the thermal switch following procedure.

Check the resistance between terminals of thermal switch by using the tester. If it has high impedance, thermal switch may be in operative.

How to reset the thermal switch

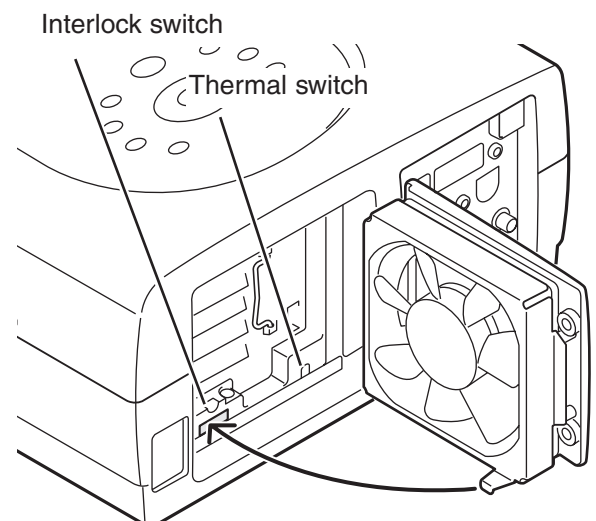
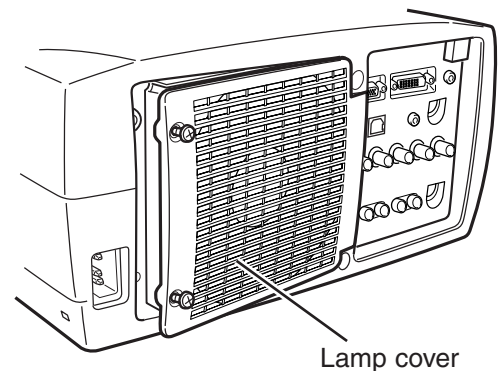
1. Loosen 2 screws and open the lamp cover.
2. Press the reset button on the thermal switch with a sharp-pointed tool.

CAUTION:

Before press the reset button, disconnect the AC cord from the projector.

● Interlock switch

The interlock switch (SW902) cuts off the AC mains power supply when the lamp cover is removed. After opening the lamp cover for replacing the lamp ass'y, place the lamp cover correctly otherwise the projector can not turn on.



● Warning temperature and power failure protection

The WARNING TEMP. indicator flashes red and the projector will automatically turn off when the internal temperature of the projector exceeds the normal temperature or when stopping cooling fans or when the internal power supply lines are failed.

Check the following possible causes and wait until stopping the TEMP WARNING indicator flashing.

Possible causes

- Air filter is clogged with dust particles. Remove dust from the air filter by following instructions in the “Air filter care and cleaning” below.
- Ventilation slots of the projector are blocked. In such an event, reposition the projector so that ventilation slots are not obstructed.
- Check if projector is used at higher temperature place (Normal operating temperature is 5 to 35 °C or 41 to 95°F)

If the WARNING TEMP. indicator still continues to flash, there may be defects on cooling fans or power supply circuits. Please check fan operation and power supply lines referring to the “Power Supply Lines Chart”.

Air filter care and cleaning

The removable air filter prevents dust from accumulation on the surface of the projection lens and projection mirror. Should the air filter become clogged with dust particles, it will reduce the cooling fan’s effectiveness and may result in internal heat build up and reduce the life of the projector.

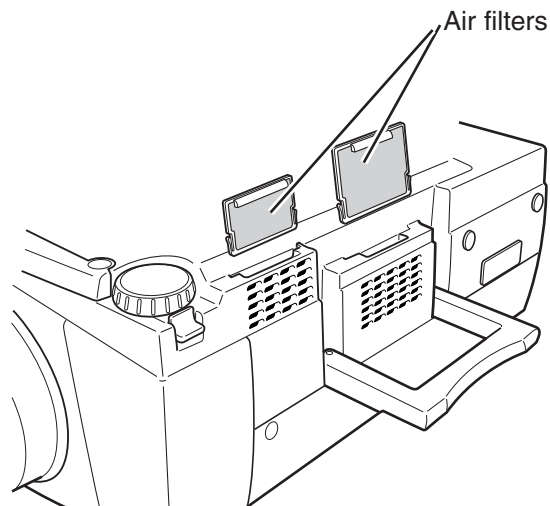
To clean up the air filters, follow the cleaning procedure below:

1. Turn the power off, and disconnect the AC power cord from the AC outlet.
2. Turn the projector up side down and remove the air filters by pulling the latches of them upward.
3. Clean the air filters with brush or wash out the dust and particles.
4. Replace each air filter properly. Make sure that the air filters are fully inserted.

CAUTION:

Do not operate the projector with the air filter removed. The dust is stuck on the LCD panel and the mirror, and it may spoil the fine picture image.

Do not put the small parts into the air intake vents. It may result in the malfunction of the projector. The air filter is small parts. Take care that children don’t eat or swallow it.



RECOMMENDATION

We recommend to avoid dusty, smoky place for operating the projector. Using in dusty place may cause the picture of poor quality.

When using under the dusty or smoky conditions, dust may accumulate on the LCD panel and lens inside it, and may resultantly be projected on the screen together with the picture.

When the above symptoms are noticed, please clean up the LCD panel and lens following to the “Cleaning Method”.

Mechanical Disassemblies

Mechanical disassemble should be made following procedures in numerical order. Following steps show the basic procedures, therefore unnecessary step may be ignored.

Caution:

The parts and screws should be placed exactly the same position as the original otherwise it may cause loss of performance and product safety.

1 Cabinet Top removal

- 1 Remove 5 screws **A**, 2 screws **B**, and loosen 2 screws **C**, and then take the Cabinet Top upward off.

Note: If you want to remove the Cabinet Front-Top only, you do not need to remove screws **A**. Remove 2 screws **B**.

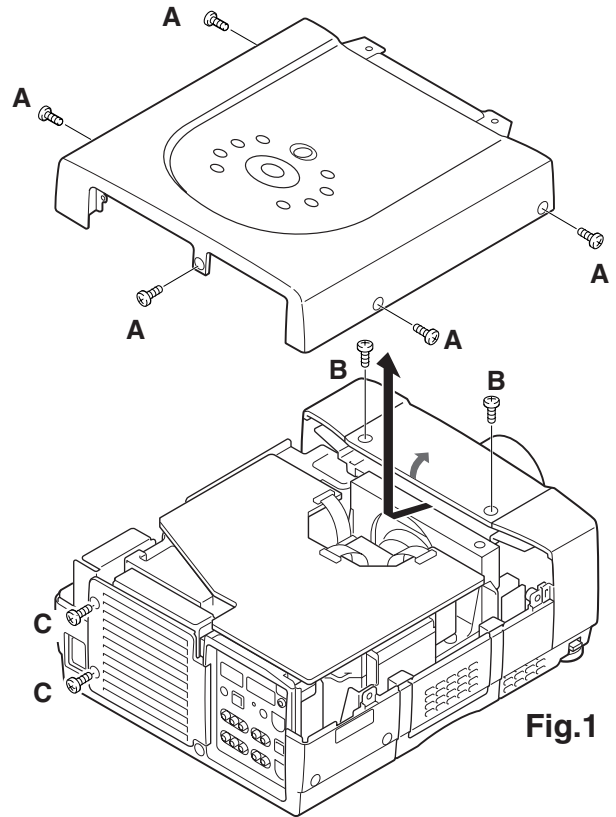


Fig.1

2 Cabinet Front removal

- 1 Remove the Cabinet Front-Top, Lens Cover Holder and Lens Cover upward off.
- 2 Remove 2 screws **D** to take the Cabinet Front off.
- 3 Remove Terminal Boards, SW Board, RC Front Board, and speakers on the Cabinet Front.

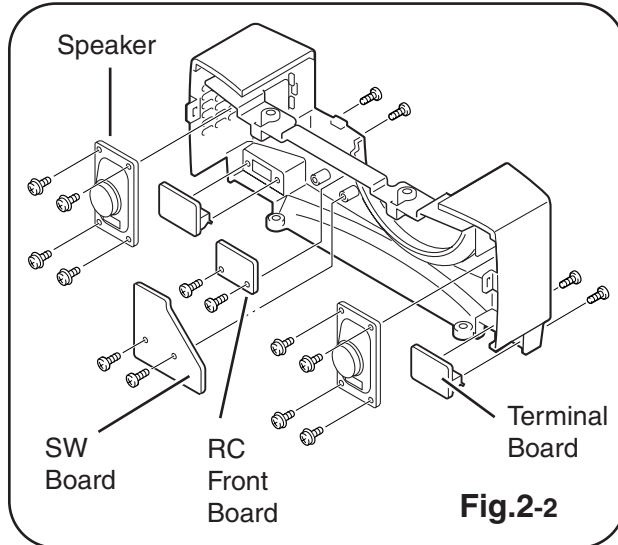


Fig.2-2

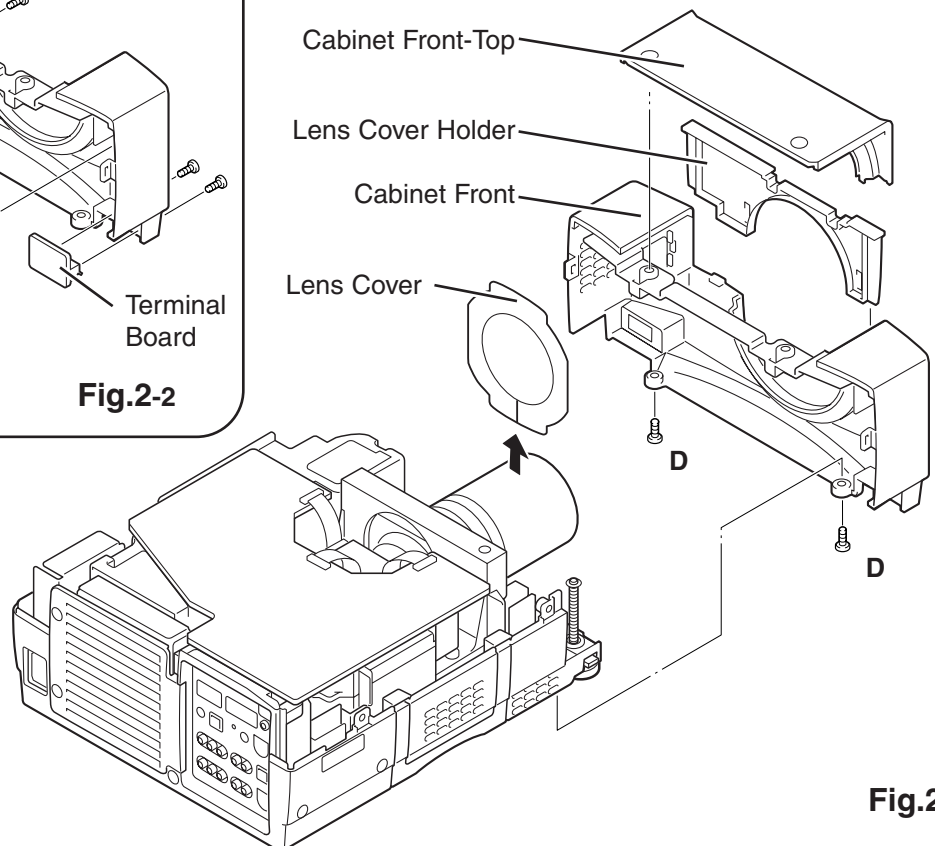


Fig.2--1

3 Main Board removal

1 Remove 6 screws to take the Main Board upward.

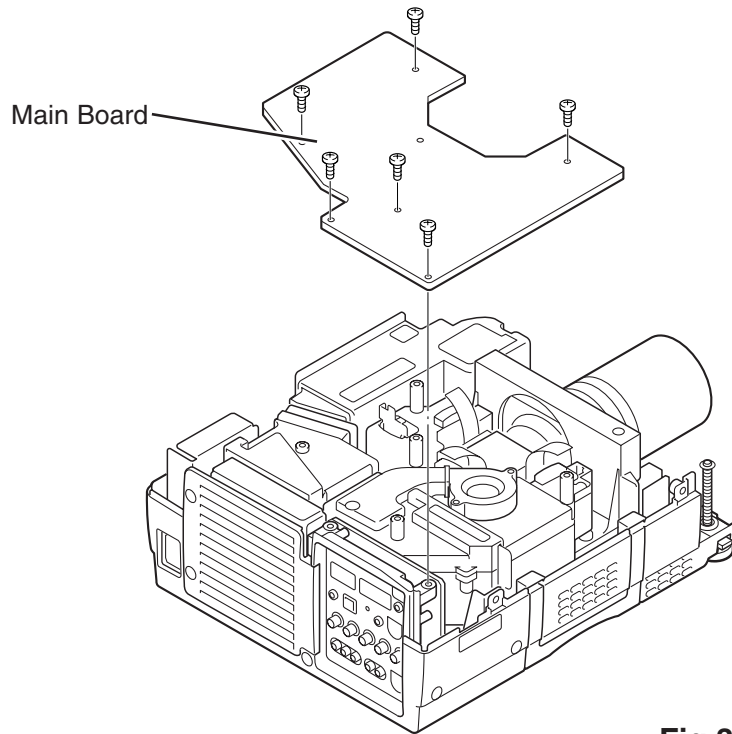


Fig.3

4 AV, I/F Board & Rear Panel removal

- 1 Remove 1 screw **A** and take the Rear Panel ass'y upward off.
- 2 Remove 4 screws **B** to take the fan (FN905) off.
- 3 Remove 5 screws **C** and 1 screw **D** to take AV Board from the Rear Panel ass'y off.
- 4 Remove 2 screws **E** and grounding leads and then pull up the I/F Board and Holder ass'y from the bottom cabinet.
- 5 Remove 4 screws **F** to take the I/F Board.

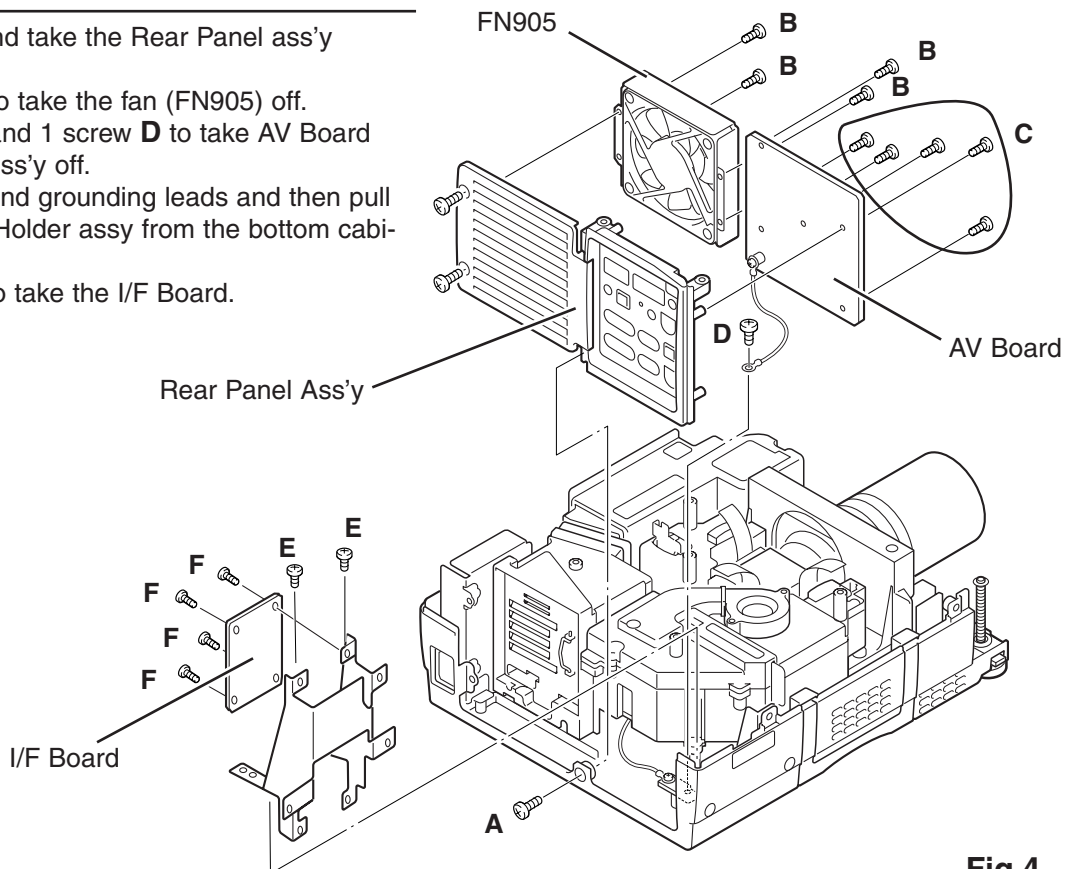
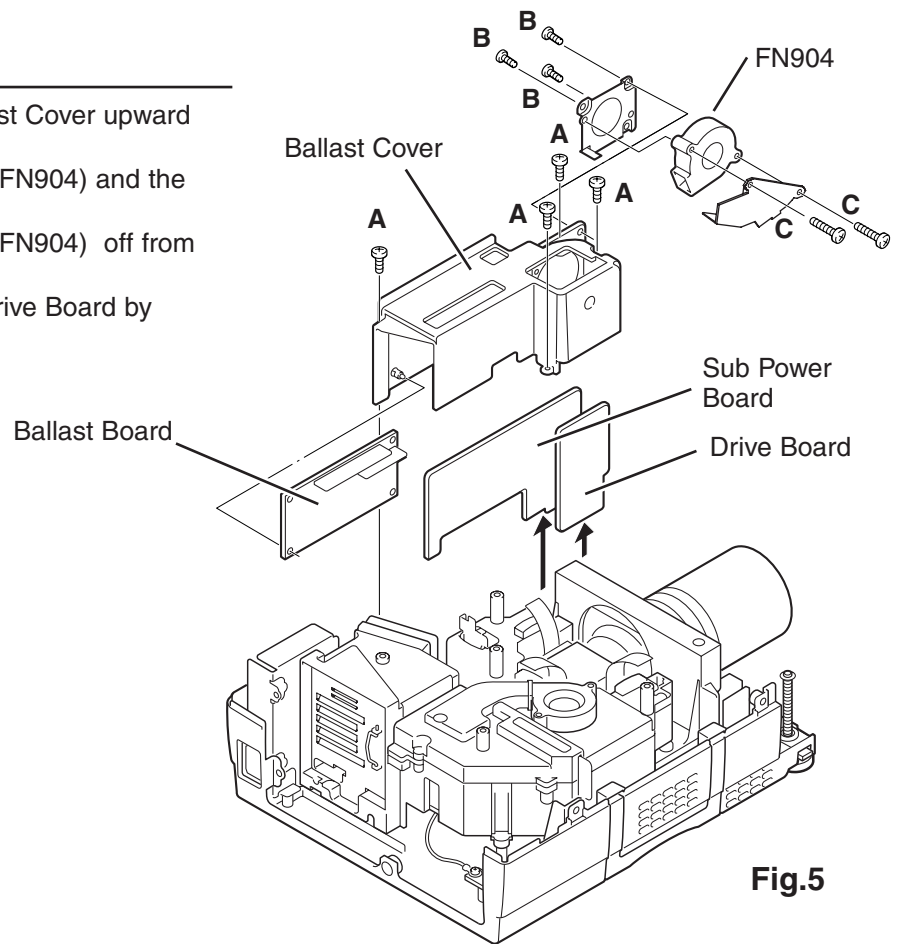


Fig.4

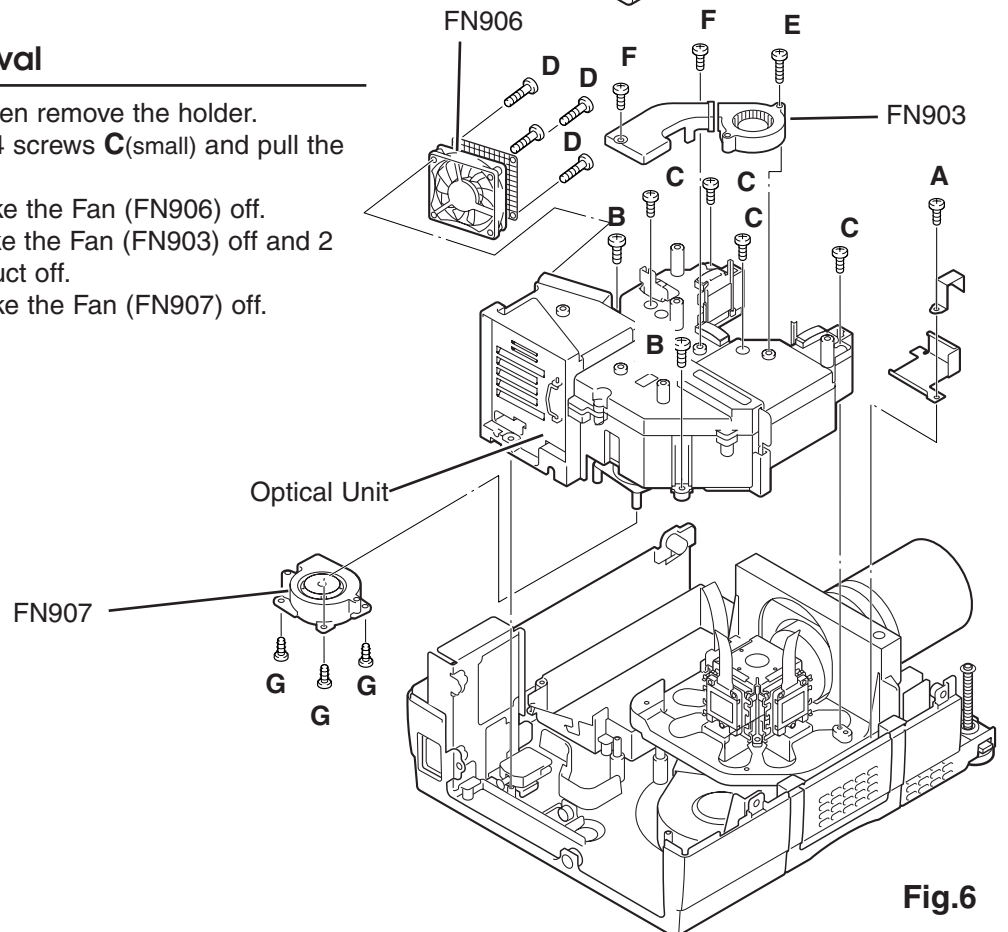
5 Lamp Ballast Unit removal

- 1 Remove 4 screws **A** to take the Ballast Cover upward off.
- 2 Remove 3 screws **B** to take the Fan (FN904) and the Fan mounting base off.
- 3 Remove 2 screws **C** to take the Fan (FN904) off from the Fan mounting base.
- 4 Remove the Sub Power Board and Drive Board by pulling them upward.



6 Optical Unit removal

- 1 Remove 1 screw **A** and then remove the holder.
- 2 Remove 2 screws **B** and 4 screws **C**(small) and pull the Optical Unit upward off.
- 3 Remove 4 screws **D** to take the Fan (FN906) off.
- 4 Remove 1 screws **E** to take the Fan (FN903) off and 2 screws **F** to take the air duct off.
- 5 Remove 3 screws **G** to take the Fan (FN907) off.



7 Prism Base removal

- 1 Remove 2 screws **A** to take the Prism Base ass'y upward off.
- 2 Remove 2 screws **B** to take the Lens Shift Motor and Sensor SW Holder from the Base.

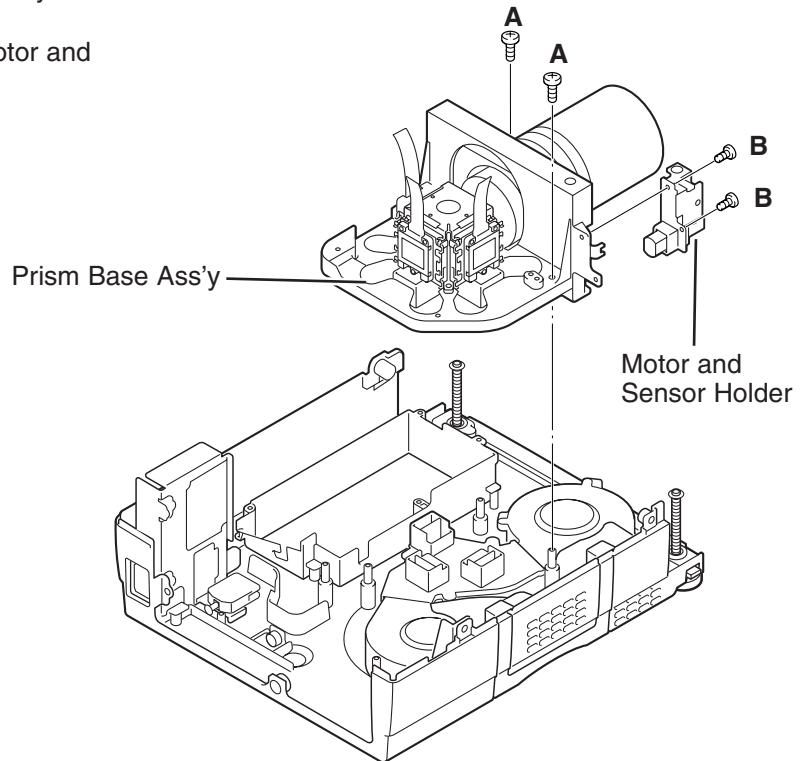


Fig.7

8 Power Board removal

- 1 Remove 3 screws **A** to take the Power Board off.
- 2 Remove 4 screws **B** to take Holder off from the cabinet bottom.

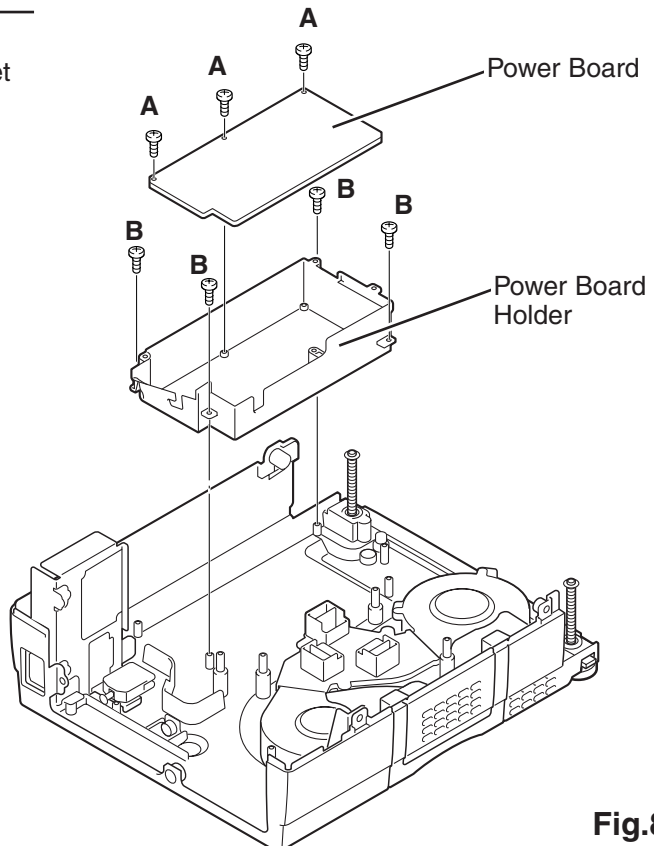


Fig.8

9 Filter Board & Interlock SW & Thermal SW removal

- 1 Remove 1 screw **A** to take Interlock Switch(SW902).
- 2 Remove 2 screws **B** to take Filter Board Holder and remove 2 screws **C** to take Filter Board from the Holder.
- 3 Remove 1 screw **D** to take Thermal Switch(SW905).

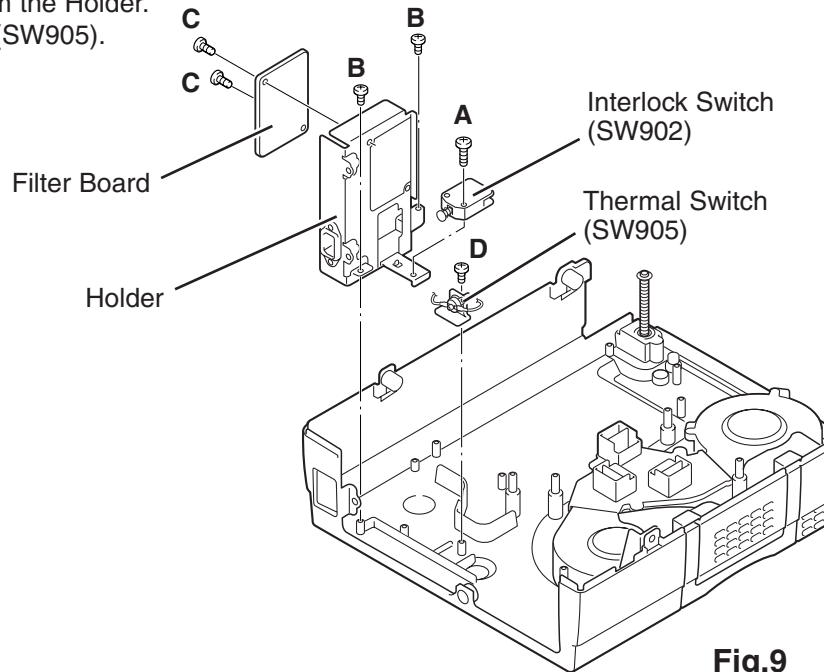


Fig.9

10 Fans (FN901, FN902) removal

- 1 Remove 4 screws **A** to take Air-duct Top off.
- 2 Remove 1 screw **B** (small) and 1 screw **C** (big) to take Duct Cover-A.
- 3 Remove 2 screws **D** to take Fan (FN901) off.
- 4 Remove 1 screw **E** (small) and 2 screws **F** (big) to take Air-duct-A and Fan (FN902) off.
- 5 Remove 2 screws **G** to take R-net Board off.

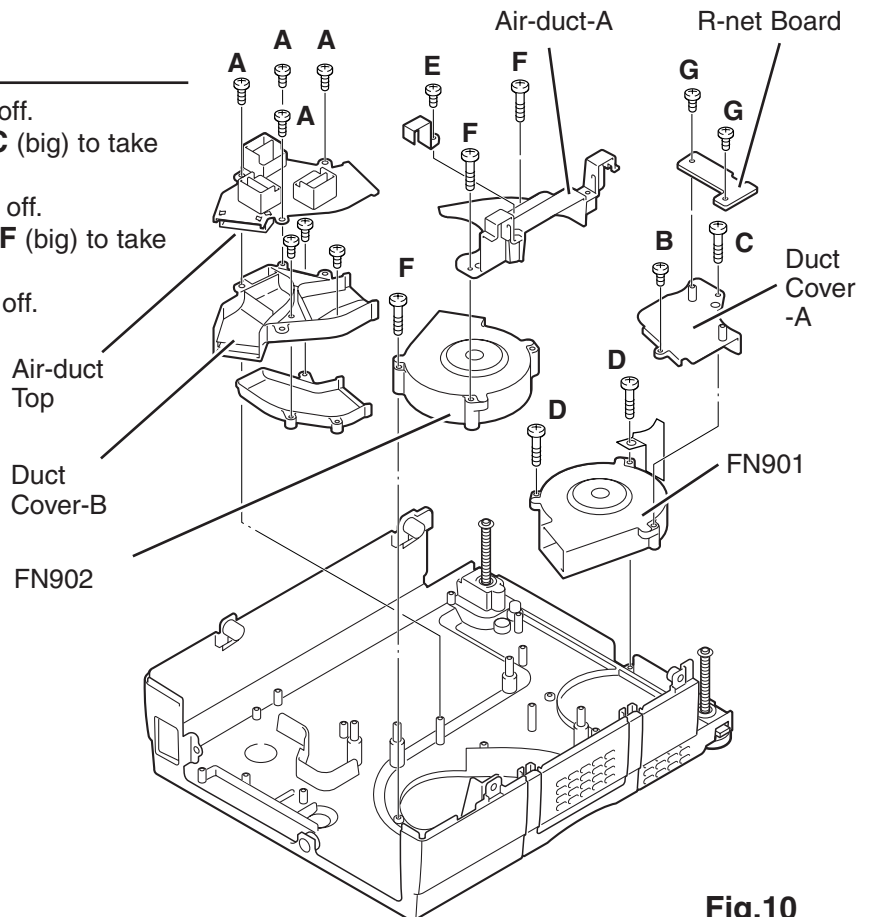


Fig.10

Optical Parts Disassemblies

Before taking this procedure, remove Cabinet Top and Main Board following to the "Mechanical Disassemblies". Disassembly requires a 2.0mm or 2.5mm hex wrench and a slot screwdriver.

Projection Lens removal

- 1 Shift the Projection lens to the low end by the LENS SHIFT function.
- 2 Remove Cabinet Front-Top following to the chapter "Mechanical Disassemblies".
- 3 Slide the lens lock lever **A** on the projector to "UNLOCK"(UPPER) position and remove the Projection Lens ass'y off.
Note : When making unlocking, attach your hand to prevent the lens fall.
- 4 Disconnect the connector and remove 4 screws **B** and take the Projection lens from the lens attachment.

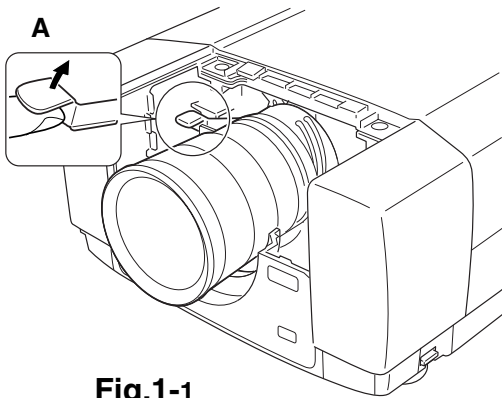


Fig.1-1

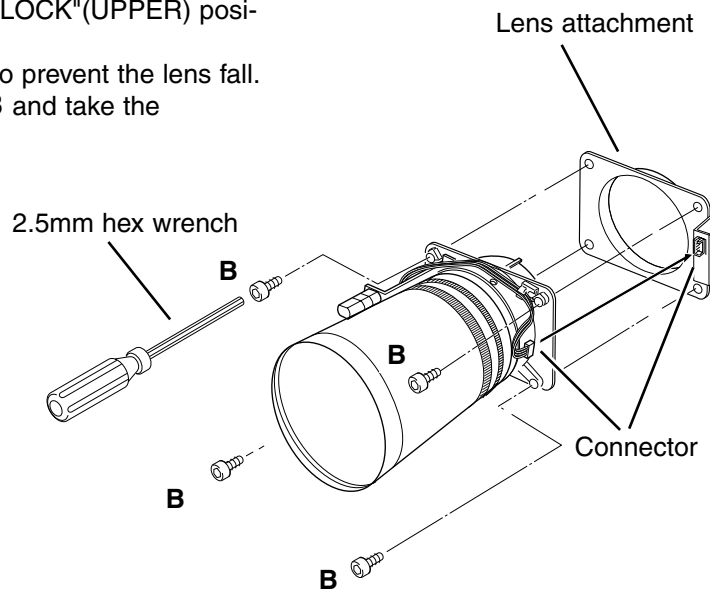


Fig.1-2

Relay Lens disassembly

- 1 Remove 2 hex screws **A** and pull the Relay Lens ass'y upward.
- 2 Remove 2 screws **B** to take the Lens off from the holder.

Note:
There is no mounting direction of the lens.

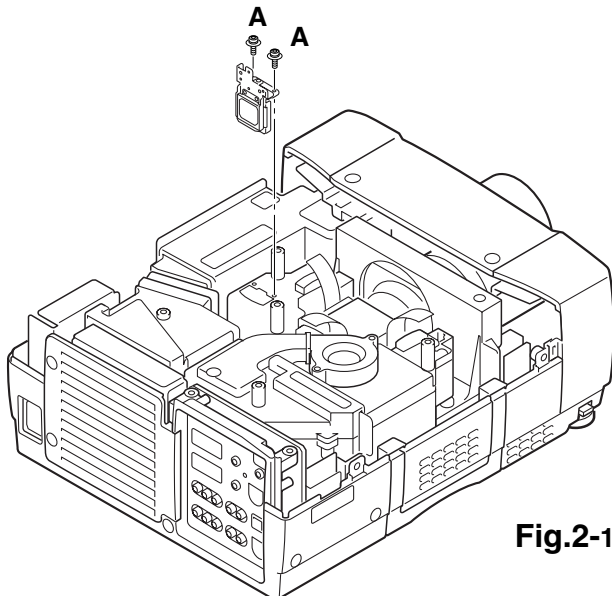


Fig.2-1

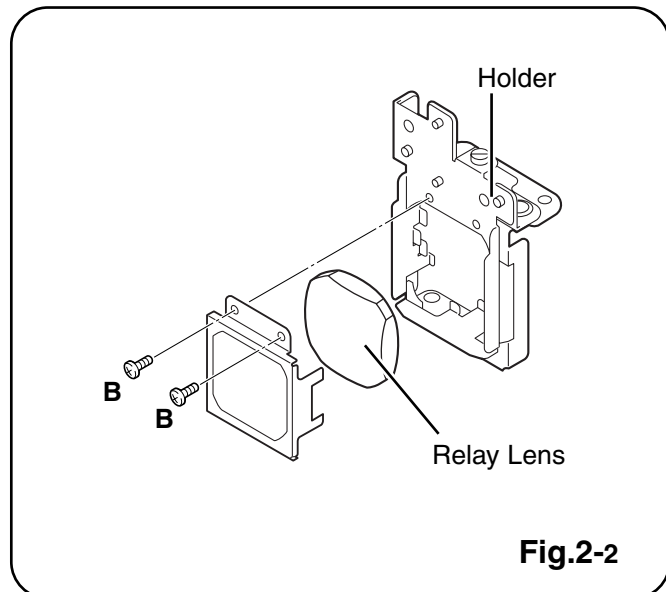


Fig.2-2

Polarized Glass-In removal

- 1 Remove each hex screw **A** and pull the Polarized Glass-In ass'y upward.
- 2 Remove each hex screw **B** and pull the Optical Filter (HCP) ass'y upward.
- 3 Remove the stoppers and take the polarized glasses and optical filters off upward.

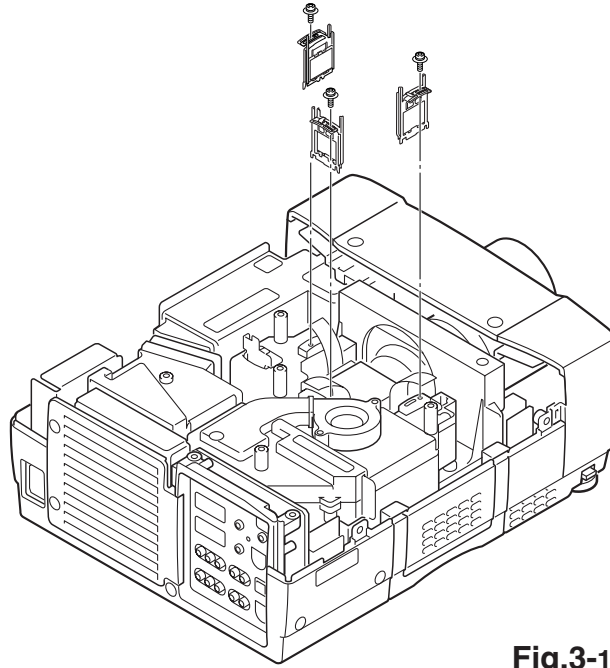


Fig.3-1

A
Polarized glass
Film sheet(*1)

B
Optical filter (HCP)
Marking(*2)
Gap(*2)

*1 The Polarized Glass-In should be placed as the film sheet comes to LCD panel side.

*2 The Optical Filter (HCP) should be placed as the colored marking comes to upper side and the gap comes to the Polarized Glass-In.

Stopper

Stopper

Optical filter (HCP)
There are 2 types combination of the polarized glass and the optical filter linked with the LCD/ Panel Prism Ass'y.

Type-L (LCD/Panel Prism Ass'y)
R: Black or green marking and 1 gap
G: Red marking and 2 gaps
B: Black or green marking and 1 gap

Type-R (LCD/Panel Prism Ass'y)
R: Red or blue marking and 2 gaps
G: Black marking and 1 gap
B: Red or blue marking and 2 gaps

* See Fig.3-2 for the mounting direction of the parts.

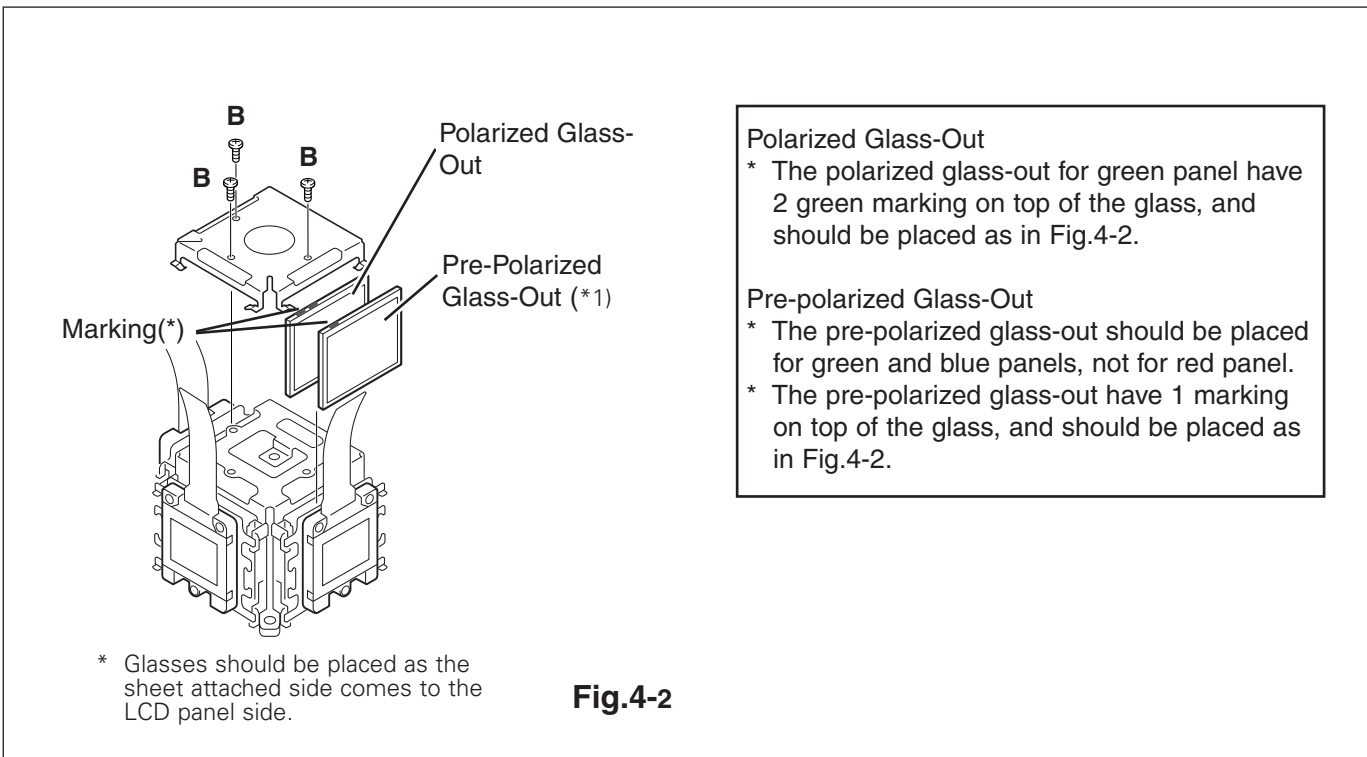
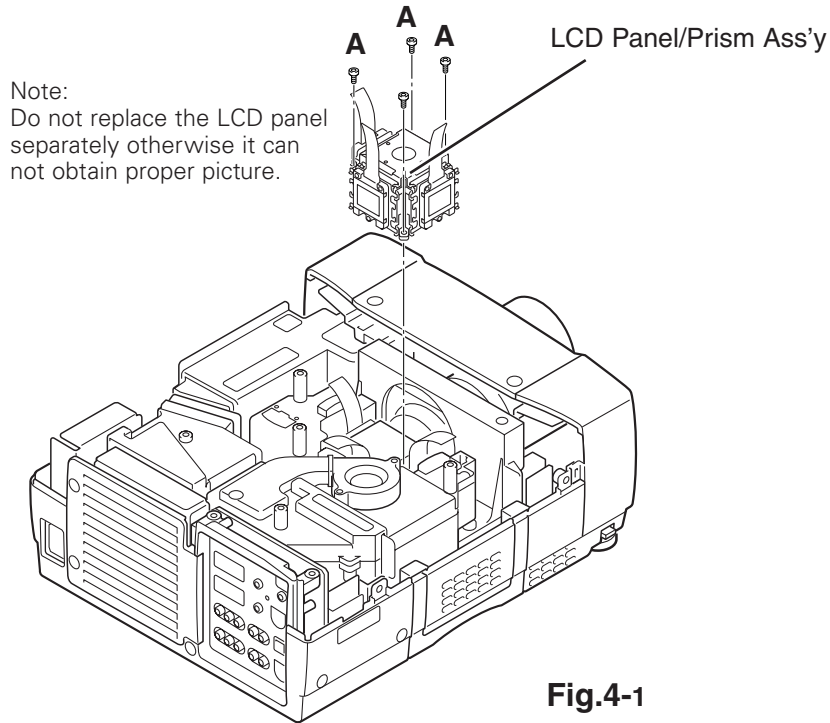
Fig.3-2

Polarized Glass-Out and Wide view Glass removal

- 1 Remove 4 hex screws **A** and take the LCD/Prism ass'y off upward.
- 2 Remove 3 screws **B** and take the Glass Holder, and then pull the polarized Glass-Out and the wide view glass upwards off. These glasses are mounted for R, G and B LCD panels respectively.

Note:

To avoid the CG and focus alignments slipping off, please be careful to handle the LCD/Prism ass'y.



Optical Unit Top removal

1 Remove 7 screws to take the Optical Unit Top off upward.

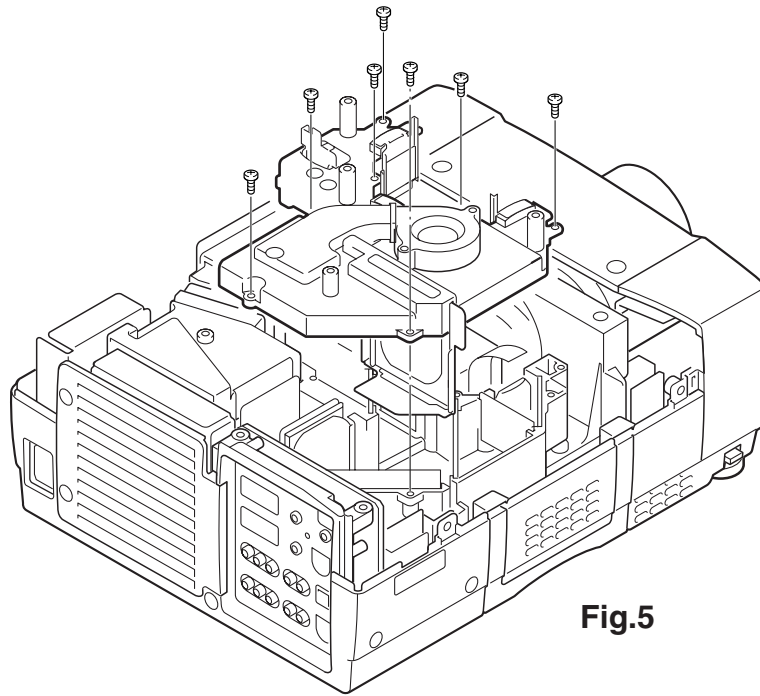


Fig.5

Condenser Lens disassembly

1 Remove 2 hex screws **A** and take the Condenser Lens ass'y.

2 Release 4 hooks **B** to take the Lens off from the holder.

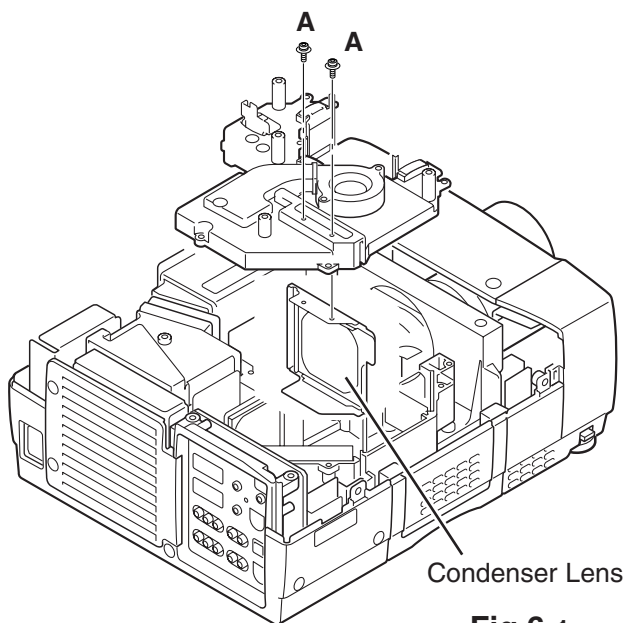


Fig.6-1

* Lens should be placed as the flat surface side comes to the holder side.

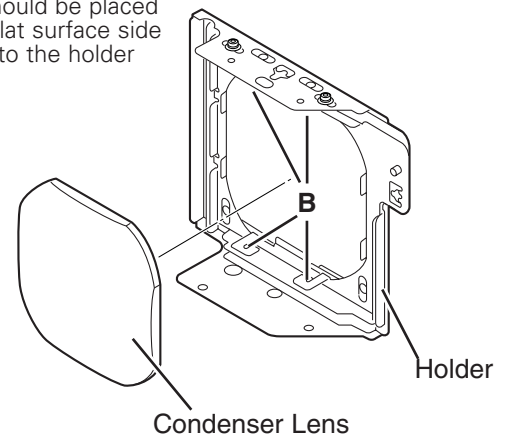


Fig.6-2

Locations and Directions

When the optical parts in the optical unit mounting or assembling, the parts must be mounted in the specified location and direction as shown in figure below.

Key No.	Description
1	Condenser lens (R)
2	Condenser lens
3	Condenser lens
4	Mirror (B)
5	Dichroic mirror (B)
6	Dichroic mirror (G)
7	Mirror (W)
8	Condenser lens (IN)
9	PBS (prism beam splitter)
10	Integrator lens (OUT)
11	Integrator lens (IN)
12	Relay lens (IN)
13	Mirror (R)

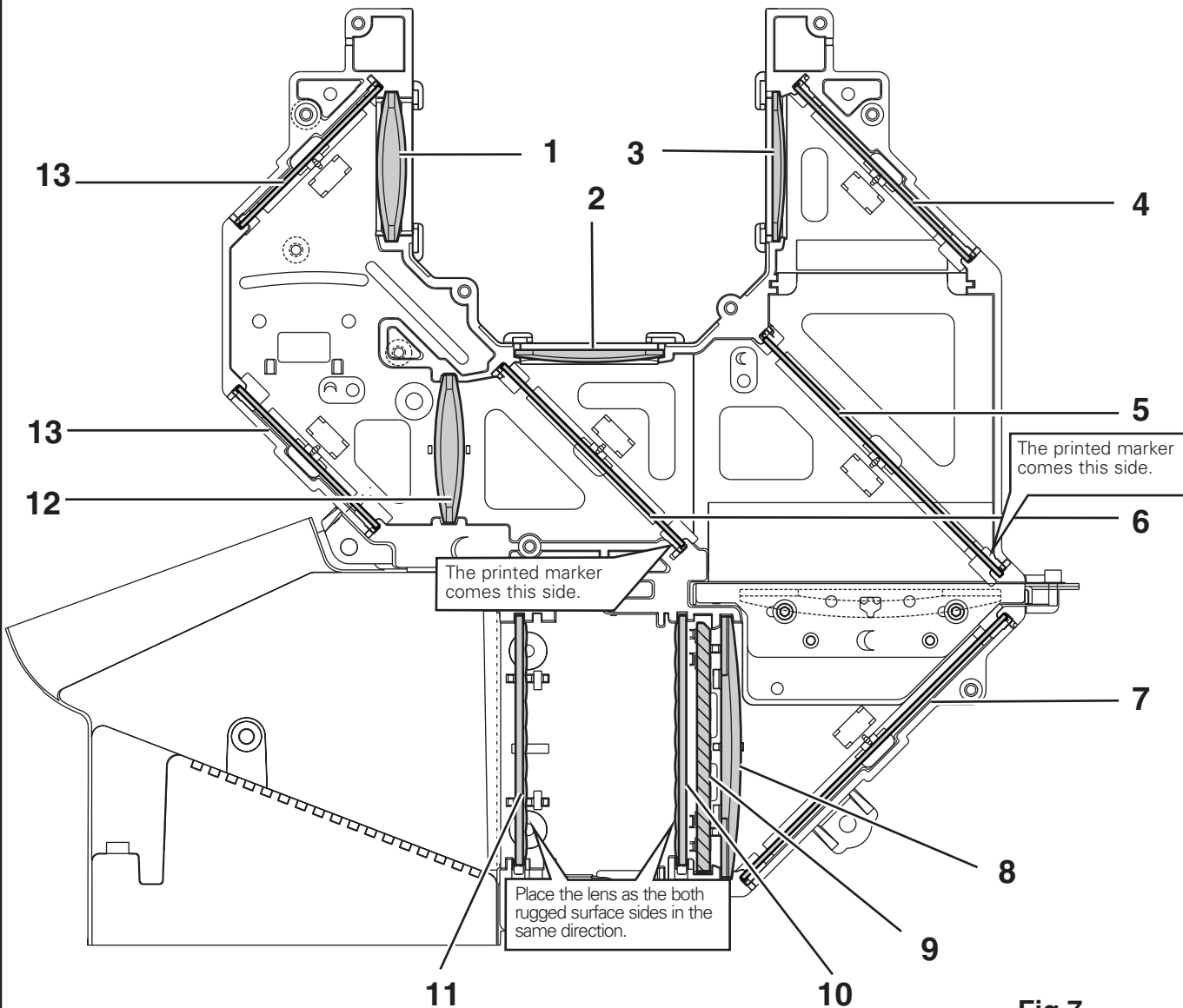


Fig.7

LCD Panel/Prism Ass'y Replacement

IMPORTANT NOTICE on LCD Panel/Prism Ass'y Replacement

LCD panels used for this model can not be replaced separately. Do not disassemble the LCD Panel/Prism Ass'y. These LCD panels are installed with precision at the factory. When replacing the LCD panel, should be replaced whole of the LCD panels and prism ass'y at once.

After replacing LCD Panel/Prism ass'y, please check the following adjustments.

- Check the "Condenser Lens Adjustment" and "Relay Lens Adjustment" following to chapter "Optical Adjustment".
- Check the "White Balance Adjustment" and "Common Centre Adjustment" following to chapter "Electrical Adjustment".
- Check the white uniformity on the screen.
If you find the color shading, please adjust the white uniformity by using the proper computer and "Color Shading Correction" software supplied separately.

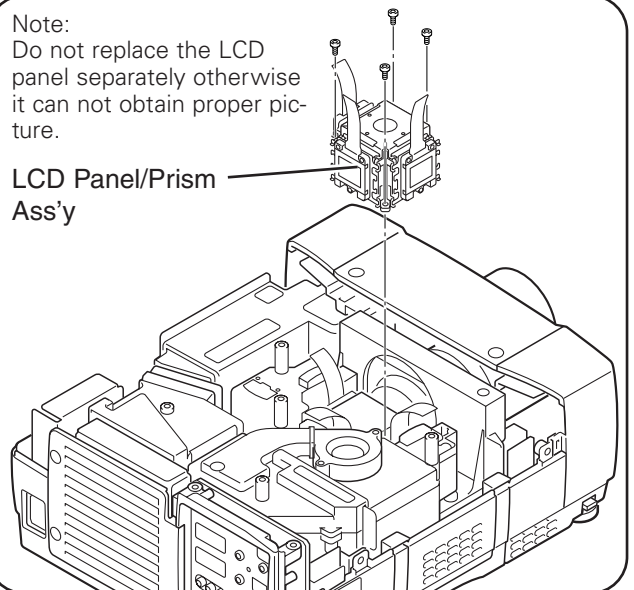
LCD Panel/Prism Ass'y removal

- 1 Remove the cabinet top and main board following to "Mechanical Disassemblies".
- 2 Remove 4 screws by using the 2.0 mm hex driver and take the LCD Panel/Prism ass'y off upward from the optical unit.

Note:

Do not replace the LCD panel separately otherwise it can not obtain proper picture.

LCD Panel/Prism Ass'y



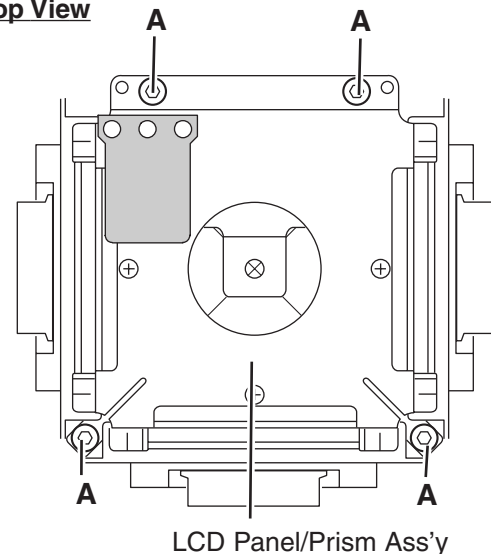
Note on LCD Panel/Prism Ass'y Mounting

After replacing or installing the LCD Panel/Prism ass'y, please make sure to obtain the best focus in both TELE and WIDE zoom. If the focus adjustment is required, please adjust the positioning of LCD Panel/Prism Ass'y by following the below procedure.

Mounting Procedure:

- 1 Loosen 4 screws **A** on the LCD Panel/Prism ass'y with 2.0 mm hex driver.
- 2 Turn the projector on and project the image with WIDE zoom, and adjust the FOCUS control to obtain the best focus.
- 3 Turn the ZOOM control to the TELE position.
- 4 Move the LCD Panel/Prism Ass'y backward or forward (about 0mm ~ 0.8mm) to obtain the proper focus. Confirm the focus at TELE and WIDE zoom.
- 5 Tighten 4 screws **A** to fix the LCD Panel/Prism ass'y.

Top View



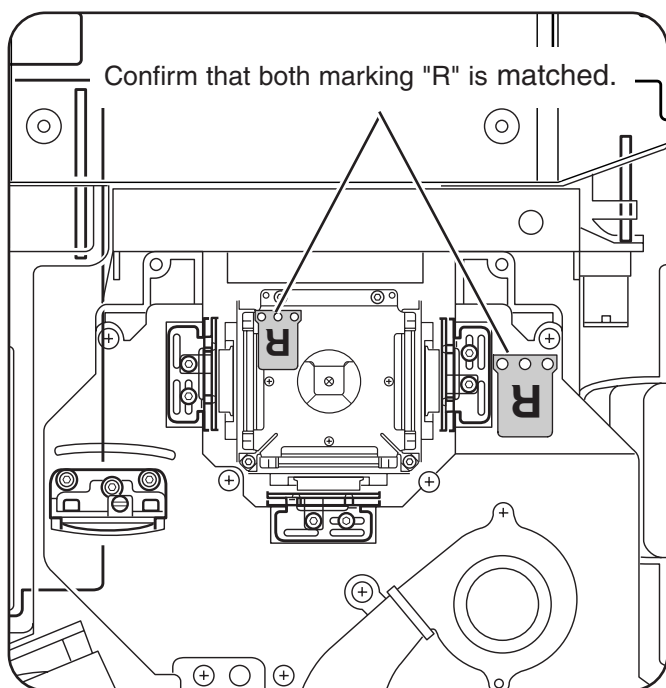
Note on LCD Panel/Prism Ass'y

There are 2 types combination of the LCD panel/prism assembly and the optical unit, named Type-R and Type-L. Since both have no compatibility, each type should be combined with the same type, and the specific parts should be used. If not, the poor optical characteristics may degrade the quality of a projected image.

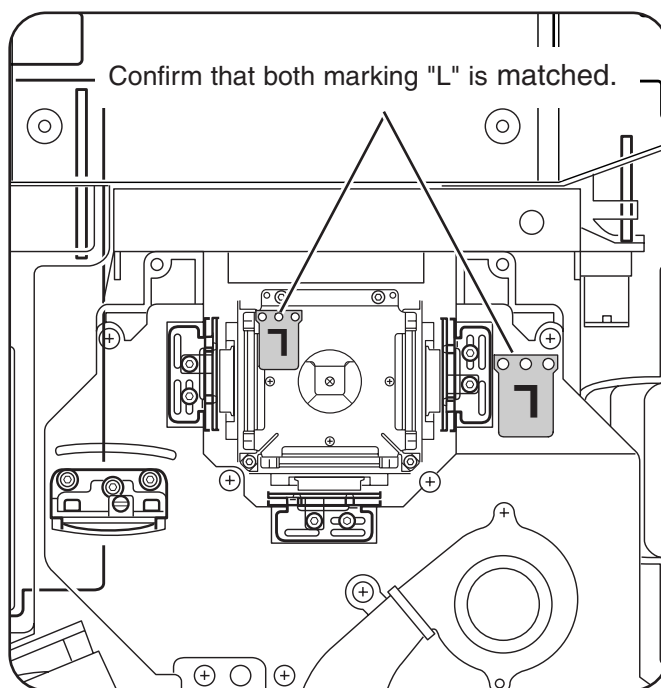
Confirm the "R" label or "L" label on top of the LCD panel/prism assembly and the optical unit.

NOTE:

LCD panel/prism assembly should be used with the same type of the optical unit.



LCD Panel/Prism Ass'y Type-R



LCD Panel/Prism Ass'y Type-L

Lamp Replacement

WARNING:

- For continued safety, replace with a lamp assembly of the same type.
- Allow the projector to cool for at least 45 minutes before you open the lamp cover. The inside of the projector can become very hot.
- Do not drop the lamp module or touch the glass bulb! The glass can shatter and cause injury.

Procedure

- 1 Turn off the projector and disconnect the AC cord. Allow the projector to cool for at least 45 minutes.
- 2 Loosen 2 screws with a screwdriver and open the lamp cover.
- 3 Loosen 2 screws and pull out the lamp assembly by grasping the handle.
- 4 Replace the lamp assembly securely and tighten 2 screws.
- 5 Close the lamp cover and tighten 2 screws.
- 6 Connect the AC cord to the projector and turn on.

7 Reset the Lamp Replace Counter, see below explanation.

Note:

- Do not reset the Lamp Replace Counter, except after lamp is replaced.
- The projector can not be turned-on with lamp cover removed, because when the lamp cover is removed, the interlock switch is also released to switch off the mains power for safety.

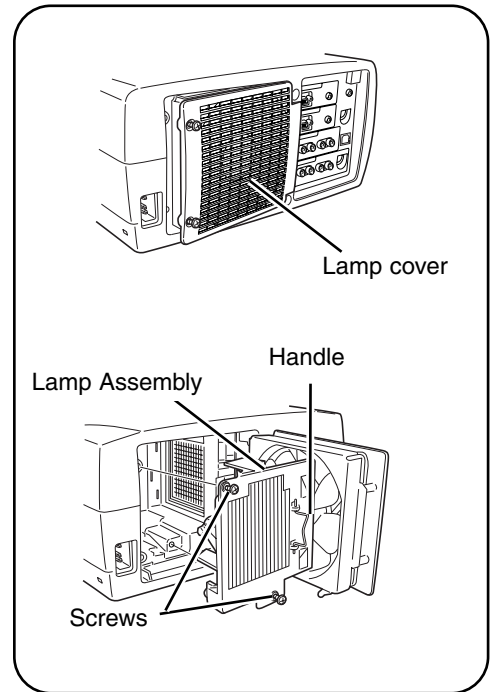
How to reset Lamp Replace Counter

- 1 Turn the projector on, and press the **MENU** button to display the On-Screen Menu. Press the **POINT LEFT/RIGHT** buttons to move a red frame pointer to SETTING menu icon.
- 2 Press the **POINT DOWN** button to move the red frame pointer to "Lamp counter" and then press the **SELECT** button. The next box appears.
- 3 Press the **POINT UP/DOWN** buttons to select Reset and then press the **SELECT** button. The "Lamp replacement counter reset?" appears. Move the pointer to [Yes] and the press the **SELECT** button.
- 4 Another confirmation dialog box appears and select [Yes] to reset Lamp Replace Counter .

Please refer to the owners manual for further information.

ORDER REPLACEMENT LAMP

Type No. _____ Service Parts No. _____
POA-LMP101 610 328 7362



Recommendation

Should the air filter become clogged with dust particles, it will reduce the cooling fan's effectiveness and may result in internal heat build up and short lamp life. We recommend cleaning the air filter after the projection lamp is replaced.

Refer to "Air Filter Cleaning".

How to check lamp used time

The LAMP REPLACE indicator will light when the total lamp used time (corresponding value) reaches 2,500 hours. This is to indicate that lamp replacement is required. The total lamp used time is calculated by using the below expression;

$$\text{Total lamp used time} = T_{\text{eco}} + T_{\text{normal}} \times (1.666)$$

T_{eco} : used time in Eco mode

T_{normal} : used time in Normal and Auto mode

You can check the lamp counter following procedure.

- 1 Press and hold the **POWER ON-OFF** button on the projector or the remote control unit for more than 20 seconds.
- 2 The projector used time and lamp used time will be displayed on the screen briefly.

You can also check "Lamp Counter" in "Setting Menu". This value is actual lamp used time.

$$\text{"Lamp Time"} = T_{\text{eco}} + T_{\text{normal}}$$

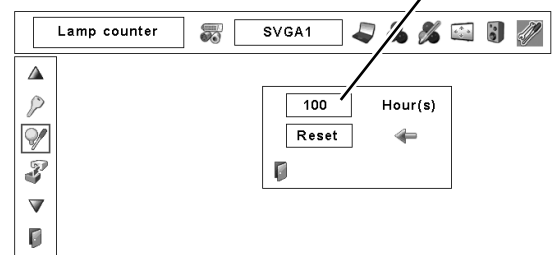
Lamp Counter Display

Counter	
Projector	475H
Lamp	
Normal	100H
Eco	375H
Corresponding value	542H

Total lamp used time (corresponding value)

Setting Menu

Total lamp used time (actual)



Adjustments after Parts Replacement

● : Adjustment necessary ○ : Check necessary

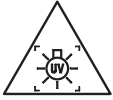
		Disassembly / Replaced Parts								
		LCD/ Prism Ass'y	Condenser Lens	Relay Lens	Polarized glass			Power Board	Sub Power Board	Main Board
					R	G	B			
Optical Adjustments	Condenser lens adjustment	○	●							
	Relay lens adjustment	○		●						
	Contrast Adjustment									
	R-Contrast adjustment				●					
	G-Contrast adjustment					●				
	B-Contrast adjustment						●			
Electrical Adjustments	Output voltage adjustment							●		
	+16V adjustment							○		
	Fan output voltage adjustment								●	●
	Video center adjustment									●
	PSIG adjustment									●
	PC black level adjustment									●
	PC input adjustment									●
	AV input adjustment									●
	Common center adjustment	●								●
	PC gamma-shift adjustment									●
	PC white balance adjustment	○								●
	AV gamma-shift adjustment									●
	AV white balance adjustment	○								●
	Color shading correction	○								○

Optical Adjustments

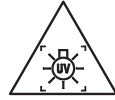
Before taking optical adjustments below, remove the Cabinet Top and Main Board following to the "Mechanical Disassemblies"

Adjustments require a 2.0mm hex wrench and a slot screwdriver.

Note: Do not disconnect connectors K8L, K8X, K8D, K8G and K8E on the main board, because the projector can not turn on due to operate the power failure protection.



WARNING : USE UV RADIATION EYE AND SKIN PROTECTION DURING SERVICING



CAUTION: To prevent suffer of UV radiation, those adjustments must be completed within 25 minutes.

Contrast adjustment

[Before Adjustment]

- Input a 100% of black raster signal.

[R/G/B-CONTRAST ADJUSTMENT]

1 Loosen a screw **A** (Fig.1-1/1-2) on the polarized glass mounting base which you intend to adjust.

2 Turn the polarized glass mounting ass'y and the polarized glass mounting base at the same time as shown in Fig.1-1 to obtain the darkest brightness on the screen.

Note: Both of them should be moved at the same time and in the same direction.

3 Tighten the screw **A** to fix the polarized glass mounting base.

Repeat steps 1 to 3 for remaining polarized glasses.

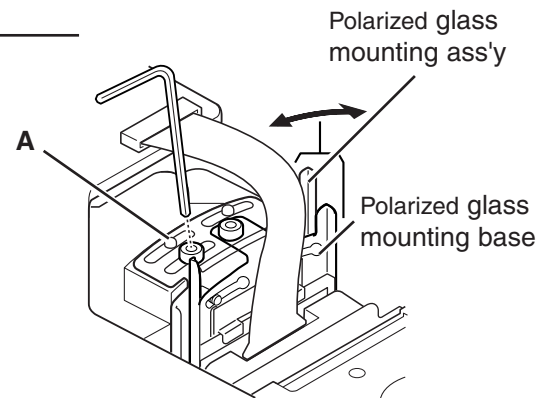


Fig.1-1

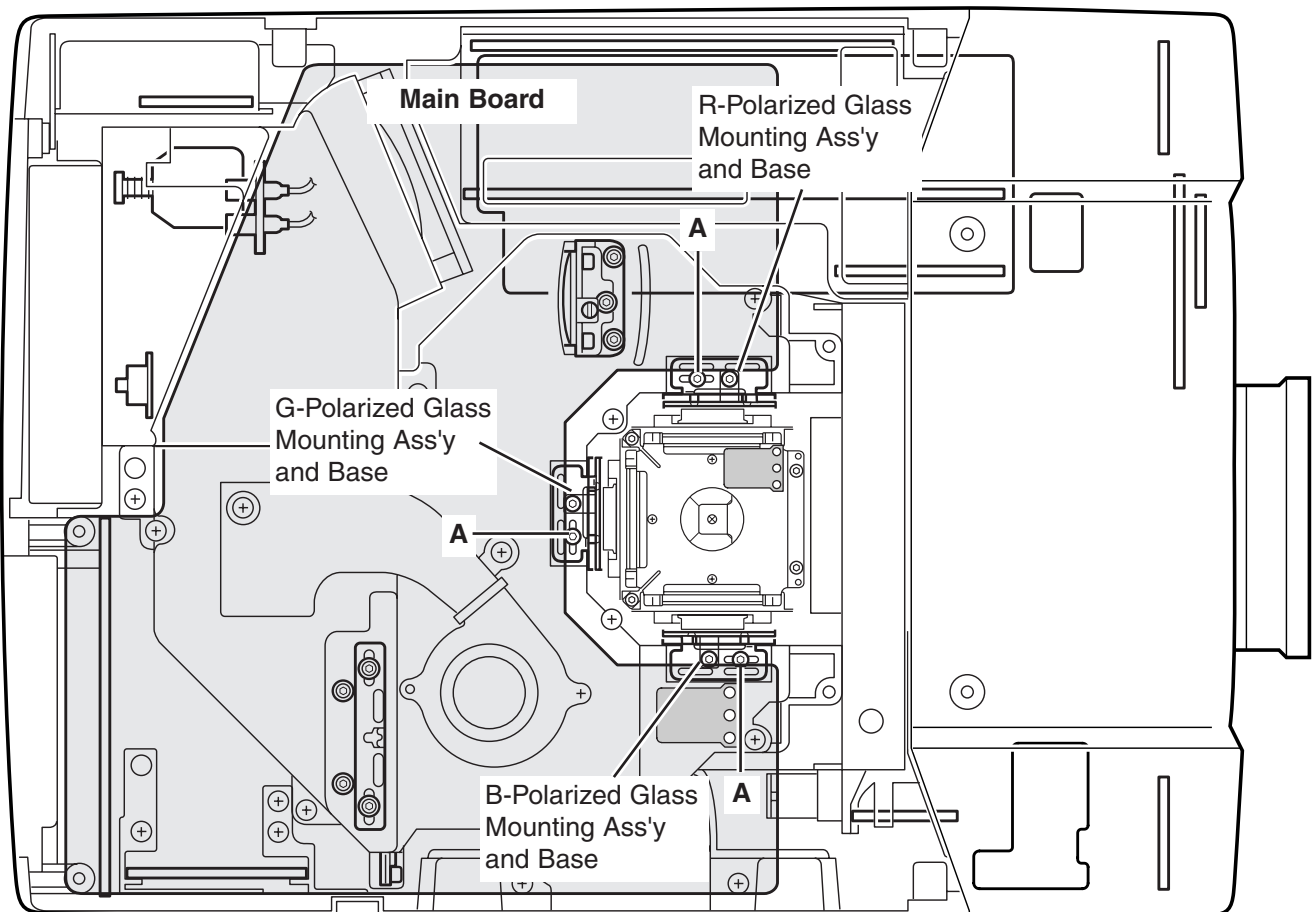
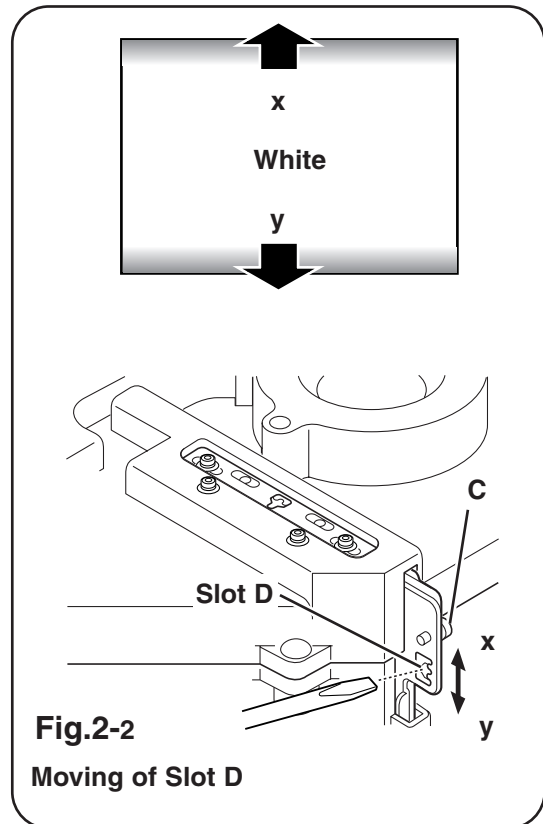
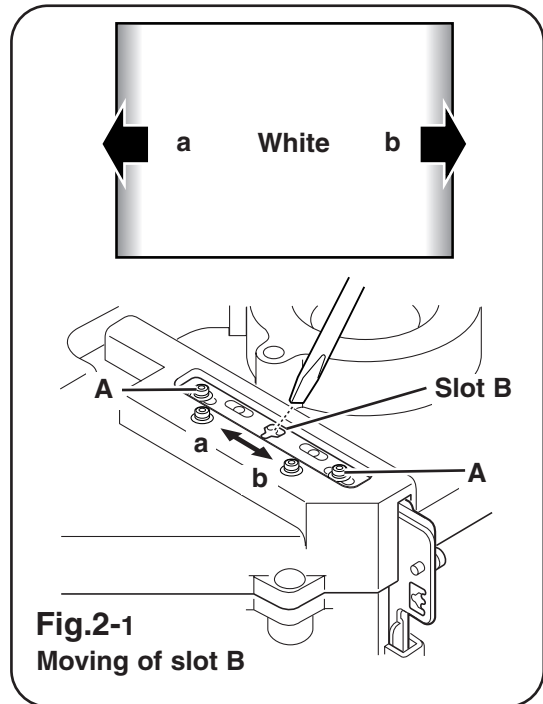
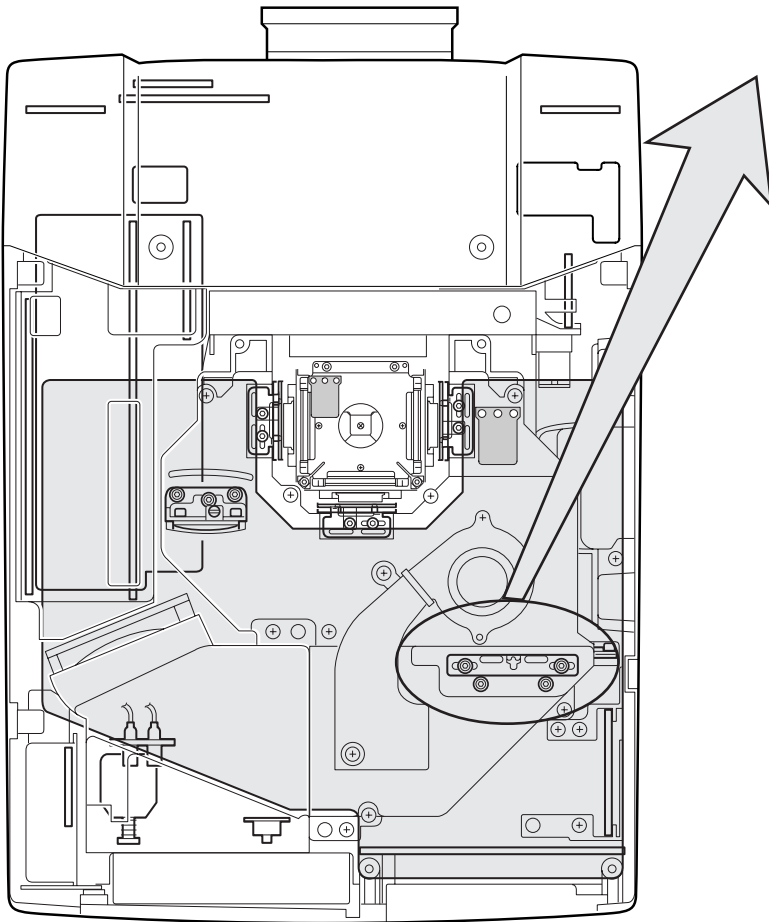


Fig.1-2

Condenser Lens adjustment

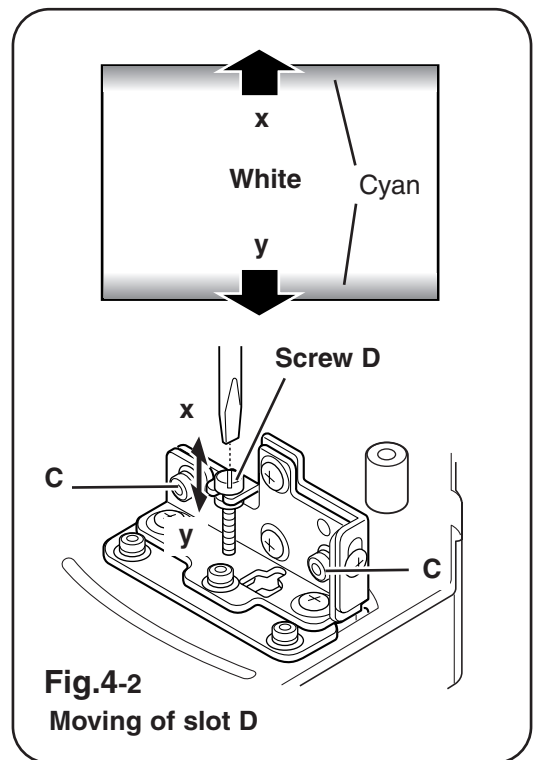
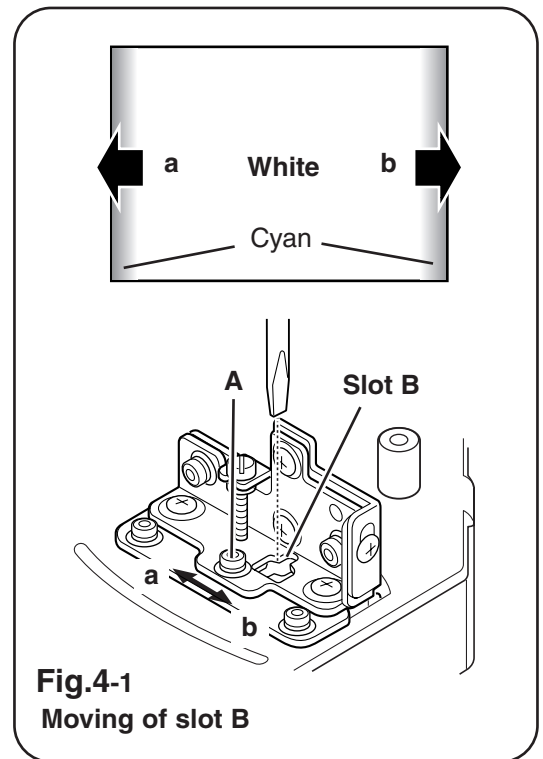
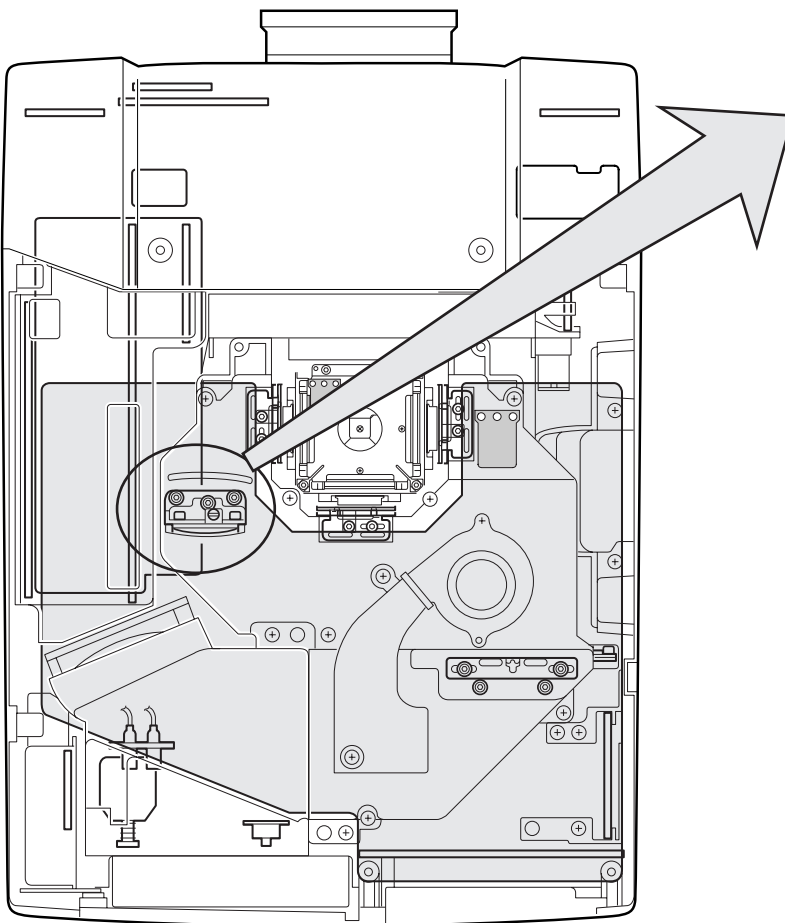
- 1 Turn the projector on by a state of without FPC cables.
- 2 Adjust the adjustment base of condenser lens ass'y to make color uniformity in white.
 - 1) If the shading appears on the left or right of the screen as shown in **Fig.2-1**, loosen 2 screws **A** with the 2.0mm hex driver, and adjust the slot **B** to make color uniformity in green by using a slot screwdriver.
 - 2) If the shading appears on the top or bottom of the screen as shown in **Fig.2-2**, loosen 1 screw **C** with the 2.0mm hex driver, and adjust the slot **D** to make color uniformity in green by using a slot screwdriver
- 3 Tighten screws **A** and **C** to fix the Condenser lens unit.

Note:
The relay lens adjustment must be carried out after completing this adjustment.



Relay lens-Out adjustment

- 1 Turn the projector on by a state of without FPC cables.
- 2 Adjust the adjustment base of relay lens ass'y to make color uniformity in white.
 - 1) If the cyan bar appears on the left or right of the screen as shown in **Fig.4-1**, loosen 1 screw **A** with the 2.0mm hex driver, and adjust the slot **B** to make color uniformity in white by using a slot screwdriver.
 - 2) If the cyan bar appears on the top or bottom of the screen as shown in **Fig.4-2**, loosen 2 screws **C** with the 2.0mm hex driver, and adjust the screw **D** to make color uniformity in white by using a slot screwdriver.
- 3 Tighten the screws **A** and **C** to fix the relay lens unit.



Electrical Adjustments

Service Adjustment Menu Operation

To enter the service mode

To enter the "Service Mode", press and hold the **MENU** and **IMAGE** button on the projector at the same time for more than 3 seconds, or press and hold the **MENU** button on the remote control unit for more than 20 seconds. The service menu appears on the screen as follows.

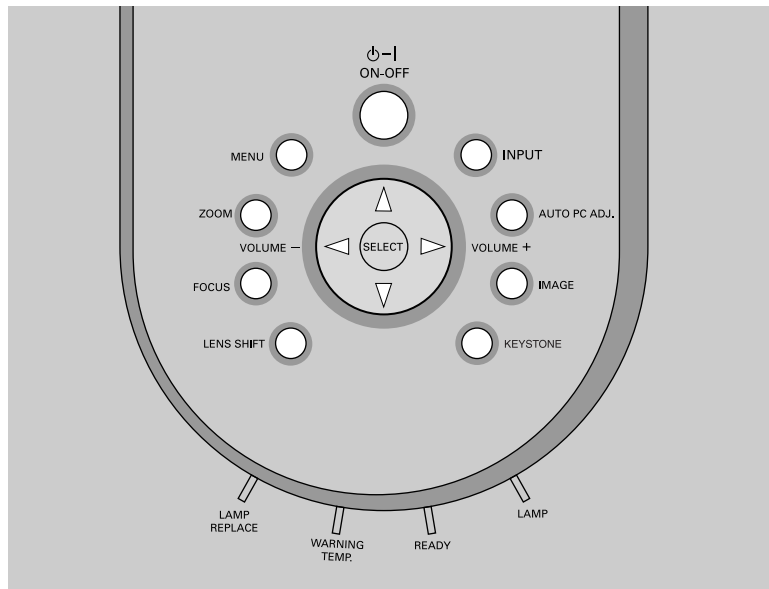
To adjust service data

Select the adjustment group no. by pressing the **MENU** or **IMAGE** button, and select the adjustment item no. by pressing the pointer **UP** or **DOWN** button, and change the data value by pressing the **VOLUME -** or **VOLUME +** button. Refer to the "Service Adjustment Data Table" for further description of adjustment group no., item no. and data value.

To exit the service mode

To exit the service mode, press the **POWER ON-OFF** button on the projector or remote control unit.

Service Mode		
Input	Input 1	
Group	No.	Data
20	0	0
Var	1.00	
Group No.	Item No.	Data value



● Memory IC Replacement

IC802 on the main board stores the data for the service adjustments, and should not be replaced except for the case of defective device.

If replaced, it should be performed the re-adjustments following to the "Electrical Adjustments".

The data of lamp replacement monitor timer is stored in the IC802.

Please note that the lamp replace counter is reset when the memory IC (IC802) is replaced.

(Lamp replace counter can not be set to the previous value.)

● Caution of Main Board replacement (in the case IC802 is not defective)

When the main board is replaced, IC802 should be replaced with the one on previous main board. After replacement, it should be required to perform the re-adjustments following to the "Electrical Adjustments".

In this case, the lamp replace counter can be kept the value as before.

● Caution to memory IC replacement

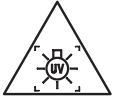
When IC802 is replaced with new one, the CPU writes down the default data of the service adjustments to the replaced IC, refer to the service adjustment table. As these data are not the same data as factory shipped data, it should be required to perform the re-adjustments following to the "Electrical Adjustments".

Please note that the lamp replace counter is reset.

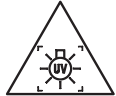
Before IC802 is replaced with new one, take a memo for the value of group/item no. "290 - 0" of the service adjustment data table, and after replacing IC802 change the value of group/item no. "290 - 1" to the same data with the memo.

Circuit Adjustments

CAUTION: The each circuit has been made by the fine adjustment at factory. Do not attempt to adjust the following adjustments except requiring the readjustments in servicing otherwise it may cause loss of performance and product safety.



WARNING : USE UV RADIATION EYE AND SKIN PROTECTION DURING SERVICING



CAUTION: To prevent suffer of UV radiation, those adjustments must be completed within 25 minutes.

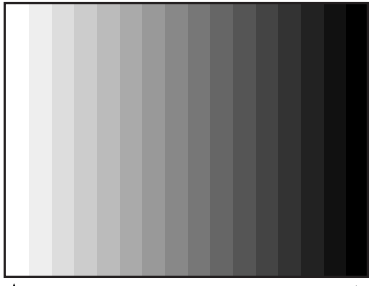
[Adjustment Condition]

- Input signal
 - Video signal 1.0Vp-p/75Ω terminated, 16 steps gray scale, white 100% and 50% pattern (Composite video signal)
 - Computer signal 0.7Vp-p/75Ω terminated, 16 steps gray scale, 1 line dot, 100% and 50% pattern (XGA)
 - Component Video signal..... 0.7Vp-p/75Ω terminated, 16 steps gray scale (480i, 480p, 720p and 1080i-60) format)
- Picture control mode “STANDARD” mode unless otherwise noted.

Note:

* Please refer to “Service Adjustment Menu Operation” for entering to the service mode and adjusting the service data.

16 steps gray scale pattern



White 100% Black 100%

1 Output Voltage adjustment

After replacing the Power Board readjust the Output voltage adjustment as follows.

1. Connect a digital voltmeter to pin 1 (+) of **K6A** and chassis ground (-).
2. Adjust the voltage by using **VR601** on the power board as following.

AC Input	Reading
230V	370 ±2Vdc
120V	356 ±2Vdc

Caution:
Be sure to connect the lamp when taking this adjustment.

2 +16V adjustment

1. Receive the 16-step gray scale video signal with **Input 3 [Video]** mode.
2. Connect a digital voltmeter to pin 3 (+) of **CN6A** and chassis ground (-).
3. Adjust the voltage to be **15.8 ±0.1Vdc** by using **VR681** on the power board.

Note:
The Power Board for replacing is already adjusted in the factory, so it is not required to perform readjustment of item1 and 2.

Note:
The Power Board for replacing is already adjusted in the factory, so it is not required to perform readjustment of item1 and 2.

3 Fan Voltage adjustment

1. Enter the service mode.
2. Connect a digital multimeter to test point "A" (+) and chassis ground (-). (as shown below)
3. Select group no. "140", item no. "B" and change data value to adjust the fan max. output voltage to be **13.5 ±0.05V**.
4. Select group no. "140", item no. "C" and change data value to adjust the fan min. output voltage to be **5.0 ±0.05V**.
5. Each fan should be adjusted refer to item 2 - 4.

Note:

The location of each fan is refer to "FAN control stage" of Chassis Description.

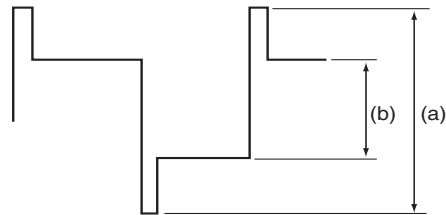
Test point "A"	Item No."B"	Item No."C"	Fan No.
TPFN3	0	1	FN903
TPFN7	2	3	FN907
TPFN6	4	5	FN906
TPFN4	6	7	FN904
FAN1	8	9	FN901 FN902
FAN2	10	11	FN905

4 Video Center adjustment

1. Receive the 16-step gray scale computer signal with **Input 1 [RGB(Analog)]** mode.
2. Enter the service mode.
3. Connect a digital voltmeter to test point "TP531" (+) and chassis ground (-).
4. Select group no. "200", item no. "0" and change data value to adjust the voltage to be **7.5 ±0.05Vdc**.
5. Connect a digital voltmeter to test point "TP561" (+) and chassis ground (-).
6. Select item no. "1" and change data value to adjust the voltage to be **7.5 ±0.05Vdc**.
7. Connect a digital voltmeter to test point "TP501" (+) and chassis ground (-).
8. Select item no. "2" and change data value to adjust the voltage to be **7.5 ±0.05Vdc**.

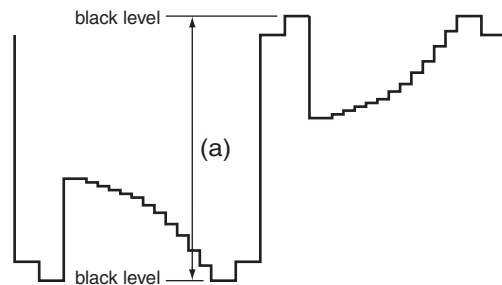
5 PSIG adjustment

1. Receive the 16-step gray scale computer signal with **Input 1 [RGB(Analog)]** mode.
2. Enter the service mode.
3. Connect an oscilloscope to test point "TP533" (+) and chassis ground (-).
4. Select group no. "200", item no. "3" and change data value to adjust amplitude "a" to be **10.8 ±0.1V**.
5. Select item no. "6" and change data value to adjust amplitude "b" to be **3.8 ±0.1V**.
6. Connect an oscilloscope to test point "TP563" (+).
7. Select group no. "200", item no. "4" and change data value to adjust amplitude "a" to be **10.8 ±0.1V**.
8. Select item no. "7" and change data data value to adjust amplitude "b" to be **3.8 ±0.1V**.
9. Connect an oscilloscope to test point "TP503" (+).
10. Select group no. "200", item no. "5" and change data value to adjust amplitude "a" to be **10.8 ±0.1V**.
11. Select item no. "8" and change data value to adjust amplitude "b" to be **3.8 ±0.1V**.



6 PC Black Level adjustment

1. Receive the 16-step gray scale computer signal with **Input 1 [RGB(Analog)]** mode.
2. Enter the service mode.
3. Connect an oscilloscope to test point "TP531" (+) and chassis ground (-).
4. Select group no. "200", item no. "9" and change data value to adjust amplitude "a" to be **10.6 ±0.1V**.
5. Connect an oscilloscope to test point "TP561" (+) and chassis ground (-).
4. Select group no. "200", item no. "10" and change data value to adjust amplitude "a" to be **10.6 ±0.1V**.
3. Connect an oscilloscope to test point "TP501" (+) and chassis ground (-).
4. Select group no. "200", item no. "11" and change data value to adjust amplitude "a" to be **10.6 ±0.1V**.

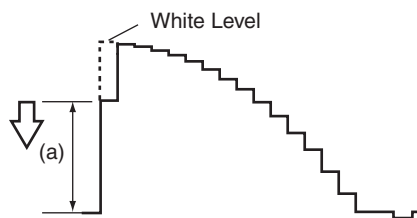


7 PC Input adjustment

1. Receive the 16-step gray scale computer signal with **Input 1 [RGB(Analog)]** mode.
2. Enter the service mode.
3. Select group no. "680", item no. "0" and change data value from 0 to 1. The projector starts self-adjustment. When the adjustment completes correctly, "OK" will appear on the screen. IF "NG" appears, try this adjustment again.

8 A/V Input adjustment

1. Receive the 16-step gray scale computer signal with **Input 3 [video]** mode.
2. Enter the service mode.
3. Connect an oscilloscope to test point "TP531" (+) and chassis ground (-).
4. Select group no. "300", item no. "2" and change data value to adjust waveform "a" to be minimum amplitude.
5. Receive the 16-step gray scale component video signal (Y/Cb/Cr 480p) with **Input 3 [Y,Pb/Cb,Pr/Cr]** mode.
6. Select group no. "300", item no. "0" and change data value to adjust waveform "a" to be minimum amplitude.
7. Receive the 16-step gray scale component video signal (Y/Pb/Pr 1080i-60) with **Input 3 [Y,Pb/Cb,Pr/Cr]** mode.
8. Select item no. "0" and change data value to adjust waveform "a" to be minimum amplitude.
9. Receive the 16-step gray scale component video signal (Y/Pb/Pr 720p) with **Input 3 [Y,Pb/Cb,Pr/Cr]** mode.
10. Select item no. "0" and change data value to adjust waveform "a" to be minimum amplitude.
11. Receive the 16-step gray scale component video signal (Y/Cb/Cr 480i) with **Input 3 [Y,Pb/Cb,Pr/Cr]** mode.
12. Select item no. "0" and change data value to adjust waveform "a" to be minimum amplitude.



9 Common Center adjustment

1. Receive the 16-step gray scale computer signal with **Input 1 [RGB(Analog)]** mode.
2. Enter the service mode.
3. Project only green light component to the screen.
4. Select group no. "200", item no. "12" and change data value to obtain the minimum flicker on the screen.
5. Project only blue light component to the screen.
6. Select item no. "13" and change data value to obtain the minimum flicker on the screen.
7. Project only red light component to the screen.
8. Select item no. "14" and change data value to obtain the minimum flicker on the screen.

10 PC Gamma-shift adjustment

1. Receive the 100% whole-white computer signal with **Input 1 [RGB(Analog)]** mode.
2. Enter the service mode.
3. Measure luminance on the screen with the luminance meter. It is **A** for the reading of luminance meter.
4. Change the signal source to the 50% whole-white signal with **Input 1 [RGB(Analog)]** mode.
5. Select group no. "200", item no. "15" and change data value to make the reading of luminance meter to be **A x 22±1%**.

Note:

If the luminance meter is not equipped, you can take another method instead as follows;

1. When the main board is replaced, the data value at group no. "200", item no. "15" of the previous main board should be copied manually.

11 PC White Balance adjustment

1. Receive the 50% whole-white computer signal with **Input 1 [RGB(Analog)]** mode.
2. Enter the service mode, select group no. "200", item no. "16" (Blue) or "17" (Red), and change data values respectively to make a proper white balance.

12 AV Gamma-shift adjustment

1. Receive the 100% whole-white composite video signal with **Input 3 [Video]** mode.
2. Enter the service mode.
3. Measure luminance on the screen with the luminance meter. It is **B** for the reading of luminance meter.
4. Change the signal source to the 50% whole-white signal with **Input 3 [Video]** mode.
5. Select group no. "**210**", item no. "**15**" and change data value to make the reading of luminance meter to be **B x 22±1%**.

Note:

If the luminance meter is not equipped, you can take another method instead as follows;

1. When the main board is replaced, the data value at group no. "**210**", item no. "**15**" of the previous main board should be copied manually.

13 AV White Balance adjustment

1. Receive the 50% whole-white composite video signal with **Input 3 [Video]** mode.
2. Enter the service mode, select group no. "**210**", item no. "**16**" (Blue) or "**17**" (Red), and change data values respectively to make a proper white balance.

Confirm that the same white balance is obtained in video and computer input.

NOTE ON WHITE UNIFORMITY ADJUSTMENT

If you find the color shading on the screen, please adjust the white uniformity by using the proper computer and "Color Shading Correction" software supplied separately.

Service Adjustment Data Table

These initial values are the reference data written from the CPU ROM to memory IC when replaced new memory IC. The adjustment items indicated with “*” are required to readjust following to the “Electrical adjustments”. Other items should be used with the initial data value.

Group No.	Adjustment Item	Initial Value	Range	Input source / Description
0	Thermal Monitor			(Read only)
0	LM76(Temp) A Monitor	-	-	Sensor A for External IC1691
1	LM76(Temp) B Monitor	-	-	Sensor B for Lamp IC1816
2	LM76(Temp) C Monitor	-	-	Sensor C for Panel IC1814
1	Atmosphere Monitor			(Read only)
0	MPXA4114A(Pressure) Monitor	-	-	Atmosphere sensor
1	MPXA4114A(Pressure) Monitor	-	-	Atmosphere sensor [unit:mmHg]
2	MPXA4114A(Pressure) Monitor	-	-	Atmosphere sensor [unit:hpa]
3	Acceleration Monitor			(Read only)
0	MAS1390 (Acceleration) Monitor			
5	FAN Monitor (Read only)			
0	FAN A Monitor (PBS)	-	-	Current voltage of Fan (0.01V unit)
1	FAN B Monitor (Lamp-IN)	-	-	Current voltage of Fan (0.01V unit)
2	FAN C Monitor (Lamp-Front)	-	-	Current voltage of Fan (0.01V unit)
3	FAN D Monitor (Power)	-	-	Current voltage of Fan (0.01V unit)
4	FAN E Monitor (Panel)	-	-	Current voltage of Fan (0.01V unit)
5	FAN F Monitor (Exhaust)	-	-	Current voltage of Fan (0.01V unit)
10	RS232C Setting			
0	Baurate	0	0 / 1	RS232C baurate (0: 19200 / 1: 9600)
1	Serial mouse switch	0	0 / 1	Serial mouse setting (0: Enable / 1: Disable)
11	PJ-Net Setting			
0	Reset Disable	0	0 / 1	PJ-Net Reset (0: Enable / 1: Disable)
20	Logo prohibition			
0	Logo prohibition	0	0 / 1	Logo prohibition (0: Menu / 1: Forced)
30	Color Shading/Gamma			
0	Color Shading Correction On/Off	0	0 / 1	Color Shading Correction (0: Off / 1: On) Not memorized
1	Gamma Correction On/Off	0	0 / 1	Gamma Correction (0: Off / 1: On) Not memorized
40	Dimmer Control			
1	Dimmer Level	15	0 ~ 15	0:250 ~ 15:300W Effect only 300W
2	DIMMER CTRL LEVEL1	7	0 ~ 255	Bright level1 data: Bright level1 when less than the value
3	DIMMER CTRL LEVEL2	14	0 ~ 255	Bright level2 data: Bright level2 when less than the value
4	DIMMER CTRL LEVEL3	21	0 ~ 255	Bright level3 data: Bright level3 when less than the value
5	DIMMER CTRL LEVEL4	28	0 ~ 255	Bright level4 data: Bright level4 when less than the value
6	DIMMER CTRL LEVEL5	35	0 ~ 255	Bright level5 data: Bright level5 when less than the value
7	DIMMER CTRL LEVEL6	42	0 ~ 255	Bright level6 data: Bright level6 when less than the value
8	DIMMER CTRL LEVEL7	49	0 ~ 255	Bright level7 data: Bright level7 when less than the value
9	DIMMER CTRL LEVEL8	56	0 ~ 255	Bright level8 data: Bright level8 when less than the value
10	DIMMER CTRL LEVEL9	63	0 ~ 255	Bright level9 data: Bright level9 when less than the value
11	DIMMER CTRL LEVEL10	70	0 ~ 255	Bright level10 data: Bright level10 when less than the value
12	DIMMER CTRL LEVEL11	77	0 ~ 255	Bright level11 data: Bright level11 when less than the value
13	DIMMER CTRL LEVEL12	84	0 ~ 255	Bright level12 data: Bright level12 when less than the value
14	DIMMER CTRL LEVEL13	91	0 ~ 255	Bright level13 data: Bright level13 when less than the value
15	DIMMER CTRL LEVEL14	98	0 ~ 255	Bright level14 data: Bright level14 when less than the value
16	DIMMER CTRL LEVEL15	105	0 ~ 255	Bright level15 data: Bright level15 when less than the value
17	DIMMER AVE POINT	4	1 ~ 16	Average point data for dimmer 1~16 4
50	Auto-Picture Control			
0	Auto-Picture Control Forced OFF			0:follows to Menu, 1:Forced OFF
70	COOLING			
0	COOLING TIME			Cooling time period after power off
1				Not used
80	Factory use			
0				
90	PJ Operation History			
0	OPERATION_HISTORY_1	0	0 ~ 32767	Operation history in latest operation
~				
49	OPERATION_HISTORY_50	0	0 ~ 32767	Operation history in latest 50th operation
50	OPERATION_HISTORY Reset	0	0 ~ 10	It resets the history when the value is changed to 10.
91	PJ Failure History			
0	Warning_Log_1	0	0 ~ 32767	Operation history in last operation
~				
49	Warning_Log_50	0	0 ~ 32767	Operation history in last 50th operation
50	Warning_Log Reset	0	0 ~ 10	It resets the history when the value is changed to 10.
112	Lamp Config			
0	Lamp Config Change	2500	1000 ~ 8000	Lamp life selection (Step: 500H)
113	Lamp Reset Counter			(Read only)
0	Lamp Reset counter	0	0 ~ 127	Reset times of the lamp time counter

Electrical Adjustments

Group No.	Adjustment Item	Initial Value	Range	Input source / Description
115	Lamp Go Out			
0	Lamp Go Out	0	-	0: Disable / 1: Enable
116	Lamp Replace Display			
0	Display when lamp replace time	0	0 / 1	0: Disable / 1: Enable
120	RC KEY Disable			
1	RC KEY Front/Rear Disable	0	0 / 1 / 2 / 3	0: Enable / 1: Front RC Disable / 2: Rear RC Disable / 3: RC KEY All Disable
130	75 ohm terminated			
0	TERM_1	0	0 / 1	Input1 (D_SUB) 75 ohm ON/OFF (0: OFF, 1: ON)
1	TERM_2	0	0 / 1	Input2 (BNC) 75 ohm ON/OFF (0: OFF, 1: ON)
140	Fan Control			
0	Fan A Max (DAC)	210	0 ~ 255	
1	Fan A Min (DAC)	75	0 ~ 255	
2	Fan B Max (DAC)	210	0 ~ 255	
3	Fan B Min (DAC)	75	0 ~ 255	
4	Fan C Max (DAC)	210	0 ~ 255	
5	Fan C Min (DAC)	75	0 ~ 255	
6	Fan D Max (DAC)	210	0 ~ 255	
7	Fan D Min (DAC)	75	0 ~ 255	
8	Fan E Max (DAC)	225	0 ~ 255	
9	Fan E Min (DAC)	145	0 ~ 255	
10	Fan F Max (DAC)	225	0 ~ 255	
11	Fan F Min (DAC)	145	0 ~ 255	
141	Fan Option			
0	Hi-Land SW	0	0 / 1	0: Normal mode, 1: Hi-land mode
1				
142	Temp. warning setting			
0	Temp A Warning	470	0 ~ 1000	
1	Temp B Warning	800	0 ~ 1000	
2	Temp C Warning	590	300 ~ 1000	
3	Temp B-A Warning	500	0 ~ 1000	
4	Temp C-A Warning	260	0 ~ 1000	
143	Factory use			
144	Factory use			
145	Factory use			
146	Factory use			
147	Factory use			
148	Factory use			
149	Factory use			
150	Factory default setting			
0	Factory Default	0	0 ~ 10	All of settings are set to default when the value changes to 10.
160	Not used			
180	DDC Setting			
0	HDCP EDID Data Setting	1	0 / 1	0: EDID Data for DVI / 1: EDID Data for HDCP
200	Adjustment for PC input			
0	G_SIG_CNTR	32	0 ~ 255	*: Video center adjustment
1	B_SIG_CNTR	32	0 ~ 255	
2	R_SIG_CNTR	32	0 ~ 255	
3	G_PSIGA	8	0 ~ 255	*: PSIG adjustment A
4	B_PSIGA	8	0 ~ 255	
5	R_PSIGA	8	0 ~ 255	
6	G_PSIGB	214	0 ~ 255	*: PSIG adjustment B
7	B_PSIGB	214	0 ~ 255	
8	R_PSIGB	214	0 ~ 255	
9	G_GAIN_CTRL	214	0 ~ 255	*: Black level adjustment
10	B_GAIN_CTRL	214	0 ~ 255	
11	R_GAIN_CTRL	214	0 ~ 255	
12	G_VCOM_CTRL	96	0 ~ 255	*: Common center adjustment
13	B_VCOM_CTRL	96	0 ~ 255	
14	R_VCOM_CTRL	96	0 ~ 255	
15	G_GAM_BRT	0	-4096 ~ 4095	*: Gamma-shift adjustment
16	B_GAM_BRT	0	-4096 ~ 4095	*: PC white balance adjustment [B]
17	R_GAM_BRT	0	-4096 ~ 4095	*: PC white balance adjustment [R]
18	USR_GAIN	32	1 ~ 255	PC
19	G_SUB_GAIN	128	0 ~ 255	PC 100% white balance adjustment
20	B_SUB_GAIN	128	0 ~ 255	
21	R_SUB_GAIN	128	0 ~ 255	
22	G_SUB_BRT	0	-4096 ~ 4095	PC
23	B_SUB_BRT	0	-4096 ~ 4095	
24	R_SUB_BRT	0	-4096 ~ 4095	
25	G_BRT_CTRL	0	0 ~ 255	PC white-white level adjustment
26	B_BRT_CTRL	0	0 ~ 255	
27	R_BRT_CTRL	0	0 ~ 255	

Electrical Adjustments

Group No.	Adjustment Item	Initial Value	Range	Input source / Description
28	Real G_GAM_BRT	0	-4096 ~ 4095	Differential data of white balance adjustment at Real mode
29	Real B_GAM_BRT	0	-4096 ~ 4095	
30	Real R_GAM_BRT	0	-4096 ~ 4095	
31	Real G_BRT_CTRL	0	-128 ~ 127	Differential data of white-white level adjustment at Real mode
32	Real B_BRT_CTRL	0	-128 ~ 127	
33	Real R_BRT_CTRL	0	-128 ~ 127	
210	Adjustment for AV input			
0-14		-	-	Not used
15	G_GAM_BRT	0	-4096 ~ 4095	*: AV Gamma-shift adjustment
16	B_GAM_BRT	0	-4096 ~ 4095	*: AV white balance adjustment [B]
17	R_GAM_BRT	0	-4096 ~ 4095	*: AV white balance adjustment [R]
18	USR_GAIN	32	1 ~ 255	AVRGB-VIDEO HDCP
19	G_SUB_GAIN	128	0 ~ 255	White 100% adjustment
20	B_SUB_GAIN	128	0 ~ 255	
21	R_SUB_GAIN	128	0 ~ 255	
22	G_SUB_BRT	0	-4096 ~ 4095	White-white level adjustment
23	B_SUB_BRT	0	-4096 ~ 4095	
24	R_SUB_BRT	0	-4096 ~ 4095	
25	G_BRT_CTRL	0	0 ~ 255	
26	B_BRT_CTRL	0	0 ~ 255	
27	R_BRT_CTRL	0	0 ~ 255	
28	Cinema G_GAM_BRT	0	-4096 ~ 4095	Differential data of white balance adjustment at Cinema mode
29	Cinema B_GAM_BRT	0	-4096 ~ 4095	
30	Cinema R_GAM_BRT	0	-4096 ~ 4095	
31	Cinema G_BRT_CTRL	0	-128 ~ 127	Differential data of white-white level adjustment at Cinema mode
32	Cinema B_BRT_CTRL	0	-128 ~ 127	
33	Cinema R_BRT_CTRL	0	-128 ~ 127	
290	PANEL L/R setting			
0	PANEL_LR	-	-	Read only [0: Type-L, 20: Type-R]
1				
300	CXD3807			
0	Component Y Level	118/ 118/ 118/ 118	0 ~ 255	Component, SCART input gain adjustment Group 01 : <YCbCr>1080i-60, 1080i-50, 1035i, <RGB>1080i-60, 1080i-50, 1035i Group 02 : <YCbCr>720p-60, 720p-60,<RGB>720p-60, 720p-50 Group 03 : <YCbCr>480p, 575p, <RGB>480p, 575p Group 04 : <YCbCr>480i, 575i, <RGB>480i, 575i, <Scart>480i, 575i
1	Component C Level	118/118/118/118		Component, SCART input gain adjustment
2	CVBS Y Level	162/157	0 ~ 255	CVBS, Y input gain adjustment (Composite / S-VIDEO)
3	CVBS C Level	115/110	0 ~ 255	C input gain adjustment(Composite / S-VIDEO)
4	Sub Hue	32	0 ~ 63	CVBS/S
5	HS Slice Level	4	0 ~ 15	H Sync
6	HS Slice Offset	5	0 ~ 15	H Sync
7	VS Slice Level	6	0 ~ 15	V Sync
8	VS Slice Offset	6	0 ~ 15	V Sync
9	Sampling Phase	0	0 ~ 63	A/D
10	Pre Shoot Level	8	0 ~ 15	
11	Over Shoot Level	8	0 ~ 15	
12	Y Filter	5/5/6	0 ~ 7	Y input filter setting Group 01 : Composite, S-Video Group 02 : 480i, 575i, 480p, 575p Group 03 : 720p-60, 720p-50, 1035i, 1080i-60, 1080i-50
13	C Filter	5/5/6	0 ~ 7	C input filter setting
14	NTSC/PAL Detect	2	0 ~ 3	NTSC/PAL detect threshold setting (0 : 64H/1V - PAL, 1 : 96H/1V, 2 : 128H/1V, 3 : 160H/1V - PAL)
301	TA1370			
0	Sepa Level	2	0 ~ 3	Sync separation level switch
302	FPGA			
0	FPGA_DEMO_ON_OFF	0	0 ~ 1	Demo mode On/Off (0: Off, 1: On)
1	FPGA_DEMO_MODE	0	0 ~ 3	Demo mode switch (0: Demo0, 1: Demo1, etc.)
303	FPGA (Color Manag.)			
0	Y Range	8	0 ~ 32	
1	HueRange	10	0 ~ 20	
2	GainRange	30	0 ~ 50	
3	GM_MinSlope	3	0 ~ 10	
4	GM_MaxSlope	18	10 ~ 30	
5	GM_Converge	3	1 ~ 5	
6-7		-	-	Not used
8	COLM_GET_KIND_Y_ud	9	1 ~ 9	
9-10		-	-	Not used
11	SameHue	3	1 ~ 10	
12	Cut_UVNorm	5	0 ~ 64	
13	Cur_MinY	0	0 ~ 127	
14	Cur_MaxY	255	128 ~ 255	

Electrical Adjustments

Group No.	Adjustment Item	Initial Value	Range	Input source / Description
15	CM_IsAccess	1	0 ~ 1	For debug
310	AD9882			
0	GREEN_OFFSET	63	0 ~ 127	
1	RED_OFFSET	63	0 ~ 127	
2	BLUE_OFFSET	63	0 ~ 127	
3	GREEN_GAIN	78	0 ~ 255	
4	RED_GAIN	78	0 ~ 255	
5	BLUE_GAIN	78	0 ~ 255	
6	BANDWIDTH	1	0 ~ 1	Analog
7	Last Calib Table [Offset]	255	0 ~ 6	Frequency range at auto calibration (Read only) (0: below Thresh 0, 1: Thresh 0-1, 2: Thresh 1-2, ..., 6: over Thresh 5), Auto calib = 255
8	Last Calib Table [Gain]	255	0 ~ 6	Frequency range at auto calibration (Read only) Read only, (0: below Thresh 0, 1: Thresh 0-1, 2: Thresh 1-2, ..., 6: over Thresh 5), Auto calib = 255 [MHz]
9	OFFSET_THRESH_0	70	0 ~ 255	
10	OFFSET_THRESH_1	80	0 ~ 255	
11	OFFSET_THRESH_2	85	0 ~ 255	
12	OFFSET_THRESH_3	100	0 ~ 255	
13	OFFSET_THRESH_4	120	0 ~ 255	
14	OFFSET_THRESH_5	140	0 ~ 255	
15	GAIN_THRESH_0	70	0 ~ 255	
16	GAIN_THRESH_1	80	0 ~ 255	
17	GAIN_THRESH_2	85	0 ~ 255	
18	GAIN_THRESH_3	100	0 ~ 255	
19	GAIN_THRESH_4	120	0 ~ 255	
20	GAIN_THRESH_5	140	0 ~ 255	
21	OFFSET R 0 Under	121	0 ~ 255	
22	OFFSET R 0-1	123	0 ~ 255	
23	OFFSET R 1-2	124	0 ~ 255	OFFSET Threshold
24	OFFSET R 2-3	128	0 ~ 255	Differential data between X-X
25	OFFSET R 3-4	131	0 ~ 255	
26	OFFSET R 4-5	131	0 ~ 255	
27	OFFSET R 5 Over	128	0 ~ 255	
28	OFFSET G 0 Under	123	0 ~ 255	
29	OFFSET G 0-1	124	0 ~ 255	
30	OFFSET G 1-2	125	0 ~ 255	
31	OFFSET G 2-3	128	0 ~ 255	
32	OFFSET G 3-4	131	0 ~ 255	
33	OFFSET G 4-5	130	0 ~ 255	
34	OFFSET G 5 Over	128	0 ~ 255	
35	OFFSET B 0 Under	126	0 ~ 255	
36	OFFSET B 0-1	125	0 ~ 255	
37	OFFSET B 1-2	126	0 ~ 255	
38	OFFSET B 2-3	128	0 ~ 255	
39	OFFSET B 3-4	132	0 ~ 255	
40	OFFSET B 4-5	133	0 ~ 255	
41	OFFSET B 5 Over	128	0 ~ 255	
42	GAIN R 0 Under	129	0 ~ 255	
43	GAIN R 0-1	129	0 ~ 255	
44	GAIN R 1-2	129	0 ~ 255	GAIN Threshold
45	GAIN R 2-3	128	0 ~ 255	Differential data between X-X
46	GAIN R 3-4	127	0 ~ 255	
47	GAIN R 4-5	126	0 ~ 255	
48	GAIN R 5 Over	128	0 ~ 255	
49	GAIN G 0 Under	129	0 ~ 255	
50	GAIN G 0-1	129	0 ~ 255	
51	GAIN G 1-2	129	0 ~ 255	
52	GAIN G 2-3	128	0 ~ 255	
53	GAIN G 3-4	127	0 ~ 255	
54	GAIN G 4-5	126	0 ~ 255	
55	GAIN G 5 Over	128	0 ~ 255	
56	GAIN B 0 Under	130	0 ~ 255	
57	GAIN B 0-1	127	0 ~ 255	
58	GAIN B 1-2	127	0 ~ 255	
59	GAIN B 2-3	128	0 ~ 255	
60	GAIN B 3-4	128	0 ~ 255	
61	GAIN B 4-5	127	0 ~ 255	
62	GAIN B 5 Over	128	0 ~ 255	
311	M62393FP			
0	R_CLAMP	0	0 ~ 255	
1	G_CLAMP	0	0 ~ 255	
2	B_CLAMP	0	0 ~ 255	
400	Composite (NTSC)			

Electrical Adjustments

Group No.	Adjustment Item	Initial Value	Range	Input source / Description
0	Total Dots	858	0 ~ 3000	Read only
1	Disp Dots	668	0 ~ 3000	
2	H Back Porch	112	0 ~ 3000	
3	V Back Porch	47	0 ~ 3000	
4	Disp Line	456	0 ~ 1500	
5-7				Not used
8	VSBEg	2	0 ~ 15	
401	Composite (PAL)			
0	Total Dots	864	0 ~ 3000	Read only
1	Disp Dots	656	0 ~ 3000	
2	H Back Porch	131	0 ~ 3000	
3	V Back Porch	64	0 ~ 3000	
4	Disp Line	534	0 ~ 1500	
5-7				Not used
8	VSBEg	2	0 ~ 15	
410	SCART (480i)			
0	Total Dots	858	0 ~ 3000	Read only
1	Disp Dots	668	0 ~ 3000	
2	H Back Porch	114	0 ~ 3000	
3	V Back Porch	47	0 ~ 3000	
4	Disp Line	456	0 ~ 1500	
5-7				Not used
8	VSBEg	2	0 ~ 15	
411	SCART (575i)			
0	Total Dots	864	0 ~ 3000	Read only
1	Disp Dots	656	0 ~ 3000	
2	H Back Porch	133	0 ~ 3000	
3	V Back Porch	64	0 ~ 3000	
4	Disp Line	534	0 ~ 1500	
5-7				not used
8	VSBEg	2	0 ~ 15	
420	YCbCr (480i)			
0	Total Dots	858	0 ~ 3000	Read only
1	Disp Dots	668	0 ~ 3000	
2	H Back Porch	114	0 ~ 3000	
3	V Back Porch	47	0 ~ 3000	
4	Disp Line	456	0 ~ 1500	
5-7				Not used
8	VSBEg	2	0 ~ 15	
421	YCbCr (575i)			
0	Total Dots	864	0 ~ 3000	Read only
1	Disp Dots	656	0 ~ 3000	
2	H Back Porch	133	0 ~ 3000	
3	V Back Porch	64	0 ~ 3000	
4	Disp Line	534	0 ~ 1500	
5-7				Not used
8	VSBEg	2	0 ~ 15	
422	YCbCr (480P)			
0	Total Dots	858	0 ~ 3000	Read only
1	Disp Dots	684	0 ~ 3000	
2	H Back Porch	106	0 ~ 3000	
3	V Back Porch	46	0 ~ 3000	
4	Disp Line	460	0 ~ 1500	
5-7				Not used
8	VSBEg	2	0 ~ 15	
423	YCbCr (575P)			
0	Total Dots	864	0 ~ 3000	Read only
1	Disp Dots	692	0 ~ 3000	
2	H Back Porch	113	0 ~ 3000	
3	V Back Porch	56	0 ~ 3000	
4	Disp Line	550	0 ~ 1500	
5-7				Not used
8	VSBEg	2	0 ~ 15	
424	YCbCr (720P -60)			
0	Total Dots	1650	0 ~ 3000	Read only
1	Disp Dots	1250	0 ~ 3000	
2	H Back Porch	290	0 ~ 3000	
3	V Back Porch	34	0 ~ 3000	
4	Disp Line	700	0 ~ 1500	
5-7				Not used
8	VSBEg	2	0 ~ 15	
425	YCbCr (720P-50)			

Electrical Adjustments

Group No.	Adjustment Item	Initial Value	Range	Input source / Description
0	Total Dots	1980	0 - 3000	Read only
1	Disp Dots	1250	0 - 3000	
2	H Back Porch	288	0 - 3000	
3	V Back Porch	34	0 - 3000	
4	Disp Line	700	0 - 1500	
5-7				Not used
8	VSBEg	2	0 ~ 15	
426	YCbCr (1080i-60)			
0	Total Dots	2200	0 - 3000	Read only
1	Disp Dots	1872	0 - 3000	
2	H Back Porch	232	0 - 3000	
3	V Back Porch	54	0 - 3000	
4	Disp Line	1050	0 - 1500	
5-7				Not used
8	VSBEg	2	0 ~ 15	
427	YCbCr (1035i)			
0	Total Dots	2200	0 - 3000	Read only
1	Disp Dots	1872	0 - 3000	
2	H Back Porch	232	0 - 3000	
3	V Back Porch	90	0 - 3000	
4	Disp Line	1012	0 ~ 1500	
5-7				Not used
8	VSBEg	2	0 ~ 15	
428	YCbCr (1080i-50)			
0	Total Dots	2640	0 - 3000	Read only
1	Disp Dots	1872	0 - 3000	
2	H Back Porch	232	0 - 3000	
3	V Back Porch	54	0 - 3000	
4	Disp Line	1050	0 - 1500	
5-7				Not used
8	VSBEg	2	0 ~ 15	
430	RGB Video (480i)			
0	Total Dots	858	0 - 3000	Read only
1	Disp Dots	668	0 - 3000	
2	H Back Porch	112	0 - 3000	
3	V Back Porch	47	0 - 3000	
4	Disp Line	456	0 - 1500	
5-7				Not used
8	VSBEg	2	0 ~ 15	
431	RGB Video (575i)			
0	Total Dots	864	0 - 3000	Read only
1	Disp Dots	656	0 - 3000	
2	H Back Porch	131	0 - 3000	
3	V Back Porch	64	0 - 3000	
4	Disp Line	534	0 - 1500	
5-7				Not used
8	VSBEg	2	0 ~ 15	
432	RGB Video (480P)			
0	Total Dots	858	0 - 3000	Read only
1	Disp Dots	686	0 - 3000	
2	H Back Porch	102	0 - 3000	
3	V Back Porch	52	0 - 3000	
4	Disp Line	460	0 - 1500	
5-7				Not used
8	VSBEg	2	0 ~ 15	
433	RGB Video (575P)			
0	Total Dots	864	0 - 3000	Read only
1	Disp Dots	692	0 - 3000	
2	H Back Porch	108	0 - 3000	
3	V Back Porch	61	0 - 3000	
4	Disp Line	550	0 - 1500	
5-7				Not used
8	VSBEg	2	0 ~ 15	
434	RGB Video (720P-60)			
0	Total Dots	1650	0 - 3000	Read only
1	Disp Dots	1250	0 - 3000	
2	H Back Porch	278	0 - 3000	
3	V Back Porch	34	0 - 3000	
4	Disp Line	700	0 - 1500	
5-7				Not used
8	VSBEg	2	0 ~ 15	
435	RGB Video (720P-50)			

Electrical Adjustments

Group No.	Adjustment Item	Initial Value	Range	Input source / Description
0	Total Dots	1980	0 ~ 3000	Read only
1	Disp Dots	1250	0 ~ 3000	
2	H Back Porch	276	0 ~ 3000	
3	V Back Porch	34	0 ~ 3000	
4	Disp Line	700	0 ~ 1500	
5-7				Not used
8	VSBEg	2	0 ~ 15	
436	RGB Video (1080i-60)			
0	Total Dots	2200	0 ~ 3000	Read only
1	Disp Dots	1872	0 ~ 3000	
2	H Back Porch	220	0 ~ 3000	
3	V Back Porch	54	0 ~ 3000	
4	Disp Line	1050	0 ~ 1500	
5-7				Not used
8	VSBEg	2	0 ~ 15	
437	RGB Video (1035i)			
0	Total Dots	2200	0 ~ 3000	Read only
1	Disp Dots	1872	0 ~ 3000	
2	H Back Porch	220	0 ~ 3000	
3	V Back Porch	90	0 ~ 3000	
4	Disp Line	1012	0 ~ 1500	
5-7				Not used
8	VSBEg	2	0 ~ 15	
438	RGB Video (1080i-50)			
0	Total Dots	2640	0 ~ 3000	Read only
1	Disp Dots	1872	0 ~ 3000	
2	H Back Porch	220	0 ~ 3000	
3	V Back Porch	54	0 ~ 3000	
4	Disp Line	1050	0 ~ 1500	
5-7				Not used
8	VSBEg	2	0 ~ 15	
440	HDCP (480P)			
0-6				Not used
7	OverScan	0	0 ~ 255	Over Scan Rate (0~25.5% : 0.1%Step)
8	VSBEg	2	0 ~ 15	
441	HDCP (575P)			
0-6				Not used
7	OverScan	0	0 ~ 255	Over Scan Rate (0~25.5% : 0.1%Step)
8	VSBEg	2	0 ~ 15	
442	HDCP (720P-60)			
0-6				
7	OverScan	0	0 ~ 255	Over Scan Rate (0~25.5% : 0.1%Step)
8	VSBEg	2	0 ~ 15	
443	HDCP (720P-50)			
0-6				
7	OverScan	0	0 ~ 255	Over Scan Rate (0~25.5% : 0.1%Step)
8	VSBEg	2	0 ~ 15	
444	HDCP (1080i-60)			
0-6				
7	OverScan	0	0 ~ 255	Over Scan Rate (0~25.5% : 0.1%Step)
8	VSBEg	2	0 ~ 15	
445	HDCP (1035i)			
0-6				
7	OverScan	0	0 ~ 255	Over Scan Rate (0~25.5% : 0.1%Step)
8	VSBEg	2	0 ~ 15	
446	HDCP (1080i-50)			
0-6				
7	OverScan	0	0 ~ 255	Over Scan Rate (0~25.5% : 0.1%Step)
8	VSBEg	2	0 ~ 15	
447	HDCP (1080-30psf)			
0-6				
7	OverScan	0	0 ~ 255	Over Scan Rate (0~25.5% : 0.1%Step)
8	VSBEg	2	0 ~ 15	
448	HDCP (1080-25psf)			
0-6				
7	OverScan	0	0 ~ 255	Over Scan Rate (0~25.5% : 0.1%Step)
8	VSBEg	2	0 ~ 15	
449	HDCP (1080-24psf)			
0-6				
7	OverScan	0	0 ~ 255	Over Scan Rate (0~25.5% : 0.1%Step)
8	VSBEg	2	0 ~ 15	
450	RGB-Video (1080-30psf)			

Electrical Adjustments

Group No.	Adjustment Item	Initial Value	Range	Input source / Description
0	Total Dots	2200	0 ~ 3000	
1	Disp Dots	1874	0 ~ 3000	
2	H Back Porch	220	0 ~ 3000	
3	V Back Porch	54	0 ~ 3000	
4	Disp Line	1050	0 ~ 1500	
5-7				Not used
8	VSBEQ	2	0 ~ 15	
451	RGB-Video (1080-25psf)			
0	Total Dots	2640	0 ~ 3000	Read only
1	Disp Dots	1874	0 ~ 3000	
2	H Back Porch	220	0 ~ 3000	
3	V Back Porch	54	0 ~ 3000	
4	Disp Line	1050	0 ~ 1500	
5-7				Not used
8	VSBEQ	2	0 ~ 15	
452	RGB-Video (1080-24psf)			
0	Total Dots	2750	0 ~ 3000	Read only
1	Disp Dots	1874	0 ~ 3000	
2	H Back Porch	254	0 ~ 3000	
3	V Back Porch	54	0 ~ 3000	
4	Disp Line	1050	0 ~ 1500	
5-7				Not used
8	VSBEQ	2	0 ~ 15	
453	RGB-Video (1080P-60)			
0	Total Dots	1565	0 ~ 3000	Read only
1	Disp Dots	1362	0 ~ 3000	
2	H Back Porch	160	0 ~ 3000	
3	V Back Porch	41	0 ~ 3000	
4	Disp Line	1080	0 ~ 1500	
5-7				Not used
8	VSBEQ	2	0 ~ 15	
454	RGB-Video (1080P-50)			
0	Total Dots	1878	0 ~ 3000	Read only
1	Disp Dots	1362	0 ~ 3000	
2	H Back Porch	160	0 ~ 3000	
3	V Back Porch	41	0 ~ 3000	
4	Disp Line	1080	0 ~ 1500	
5-7				Not used
8	VSBEQ	2	0 ~ 15	
455	RGB-Video (1080P-48)			
0	Total Dots	1957	0 ~ 3000	Read only
1	Disp Dots	1362	0 ~ 3000	
2	H Back Porch	160	0 ~ 3000	
3	V Back Porch	41	0 ~ 3000	
4	Disp Line	1080	0 ~ 1500	
5-7				Not used
8	VSBEQ	2	0 ~ 15	
600	PW Option			
0	FrameLock Option	1	0 - 1	Read only
1	AV Screen Force True Mode	0	0 - 1	
2	Field Sense Invert Enable	0	0 - 1	
4	Sub Image Enable	1	0 - 1	
6	Device Refresh Disable	0	0 - 1	
620	Sub Brightness			
0	Center Contrast	577/577/577/492 /492/535/577/492 /492/572/492	0 - 1023	Composite / S-Video / Component / Digital /D-RGB-Video/Analog-RGB / RGB-Video / HDCP-PC /HDCP-AV /SCART/ PJ-Net
1	Center Brightness	512/512/512/512 /512/508/512/512 /512/520/512	0 - 1023	
2	Center Color	512/512/512/512 /512/512/512	0 - 1023	
3	Center Tint	95/95/95/95 /95/95/95/95 /95/95/95		
4	Center Sharpness	8/8/8/8/8 /8/8/8/8		
5	Alpha Contrast	120/120/120/120 /120/120/120/120 /120/120/120		

Electrical Adjustments

Group No.	Adjustment Item	Initial Value	Range	Input source / Description
6	Alpha Brightness	/120/120/120/120 /120/120/120		
7	Alpha Color	120/120/120/120 /120/120/120/120		
8	Alpha Tint	10/10/10/10 /10/10/10/10 /10/10/10		
9	Alpha Sharpness	10/10/10/10 /10/10/10/10 /10/10/10		
680	Auto Calibration			
0	Execute Calibration	0	0 ~ 1	Execute Auto Calibration when the value changes.
1	Loop Count	3	1 ~ 30	Maximum Loop with OFFSET --> GAIN
2	OFFSET AREA H START	975	0 ~ 1000	
3	OFFSET AREA V START	500	0 ~ 1000	
4	GAIN AREA H START	25	0 ~ 1000	
5	GAIN AREA V START	500	0 ~ 1000	
6	Image AREA H WIDTH	13	0 ~ 4095	
7	Image AREA V HEIGHT	9	0 ~ 4095	
8	OFFSET target	1	0 ~ 127	
9	OFFSET tolerance	1	1 ~ 127	
10	GAIN target	235	0 ~ 255	White level adjustment target value
11	GAIN tolerance	1	1 ~ 255	White level adjustment tolerance range
12	Auto Status	0	0 / 1 / 9	Read only (0: Finish correctly, 1: On Calibration, 9: Finish with error)
13	AutoWait	1	1 ~ 20	Wait value for each settings
14	CHECK -Tolerance	1	1 ~ 255	Offset tolerance
681	Auto PC Adjustment			
0	AutoPCAdjustEnable	0	0 ~ 1	0: Auto PC adj. enable, 1: Auto PC adj. prohibited
1	Frequency Step	1	0 ~ 3	Frequency step in total dot search
2	Frequency Threshold	5	0 ~ 10	Confirm total dot (0: fine, ..., 10: no good)
3	Fine Phase	0	0 ~ 1	Executes phase after total dot adj. (0: fine, 1: not executed)
4	BLKDET	1	0 ~ 3	Detection area of blank level
5	PHASEMSK	0	0 ~ 3	Phase detection filter (0: effective all bits, 1: disable lower 1 bit, 2: disable lower 2 bits, 3: disable lower 3 bits)
690	CUSTOM (Aspect)			
0	Connect	0	0 ~ 1	individual/Link edition (0: individual, 1: link)
1	Horizontal Scaler	100	0 ~ 200	H-scaler edition
2	Horizontal Position	100	0 ~ 200	H-position correction
3	RESET/STORE	0	0 ~ 1	Reset or Save of H-aspect (0: reset, 1: save)
4	Vertical Scaler	100	0 ~ 200	V-scaler edition
5	Vertical Position	100	0 ~ 200	V-position correction
6	RESET/STORE	0	0 ~ 1	Reset/ or Save of H-aspect (0: reset, 1: save)
7	Screen Select	0	0 ~ 1	Screen mode selection (0: FULL, 1: NORMAL)
8	CUSTOM ON/OFF	0	0 ~ 1	Custom (0: disable, 1: enable)
700	General			
0	IP Mode	1	0 ~ 1	Setting at IP OFF (0: not used for IP block, 1: OFF with IP block)
1	3:2 PullDown Mode	1	1 ~ 3	bit0: global motion, bit1: video motion
2	Detect Film Mode Enable	0	0 ~ 2	0 : 2:3pull down & 2:2pull down, 1 : 2:3pull down, 2 : 2:2pull down
3	Force IP Mode	2	0 ~ 2	0 : IP Process Disable, 1 : Force Normal IP Mode, 2 : Force Film Mode
701	De-interlacer setting			Progressive ON / Film
0	Motion Adaptive Weight Value	25	0 ~ 255	<KDEINT>
1	Angle Interpolation Level	2	0 ~ 4	0 : Conservative <----> 4 : Aggressive
2	CUE Low Pass Filter Enable	0	0 ~ 1	<CUELPFEN>
711	Noise Reduction			N.R L1
0	Noise Pixel Range	1	0 ~ 2	<NSRANGEY> / <NSRANGEUV>
1	Noise Region 0	12	0 ~ 1023	<NSREGIONY0> / <NSREGIONUV0>
2	Noise Region 1	24	0 ~ 1023	<NSREGIONY1> / <NSREGIONUV1>
3	Noise Region 2	40	0 ~ 1023	<NSREGIONY2> / <NSREGIONUV2>
4	Noise Gain Level	50	0 ~ 255	<NSFILTERY**> / <NSFILTERUV**>
713	Noise Reduction			N.R L2
0	Noise Pixel Range	1	0 ~ 2	<NSRANGEY> / <NSRANGEUV>
1	Noise Region 0	12	0 ~ 1023	<NSREGIONY0> / <NSREGIONUV0>
2	Noise Region 1	24	0 ~ 1023	<NSREGIONY1> / <NSREGIONUV1>
3	Noise Region 2	40	0 ~ 1023	<NSREGIONY2> / <NSREGIONUV2>
4	Noise Gain Level	100	0 ~ 255	<NSFILTERY**> / <NSFILTERUV**>
715	Noise Reduction			N.R OFF
0	Noise Pixel Range	1	0 ~ 2	<NSRANGEY> / <NSRANGEUV>
1	Noise Region 0	12	0 ~ 1023	<NSREGIONY0> / <NSREGIONUV0>
2	Noise Region 1	24	0 ~ 1023	<NSREGIONY1> / <NSREGIONUV1>
3	Noise Region 2	40	0 ~ 1023	<NSREGIONY2> / <NSREGIONUV2>
4	Noise Gain Level	1	0 ~ 1023	<NSFILTERY**> / <NSFILTERUV**>

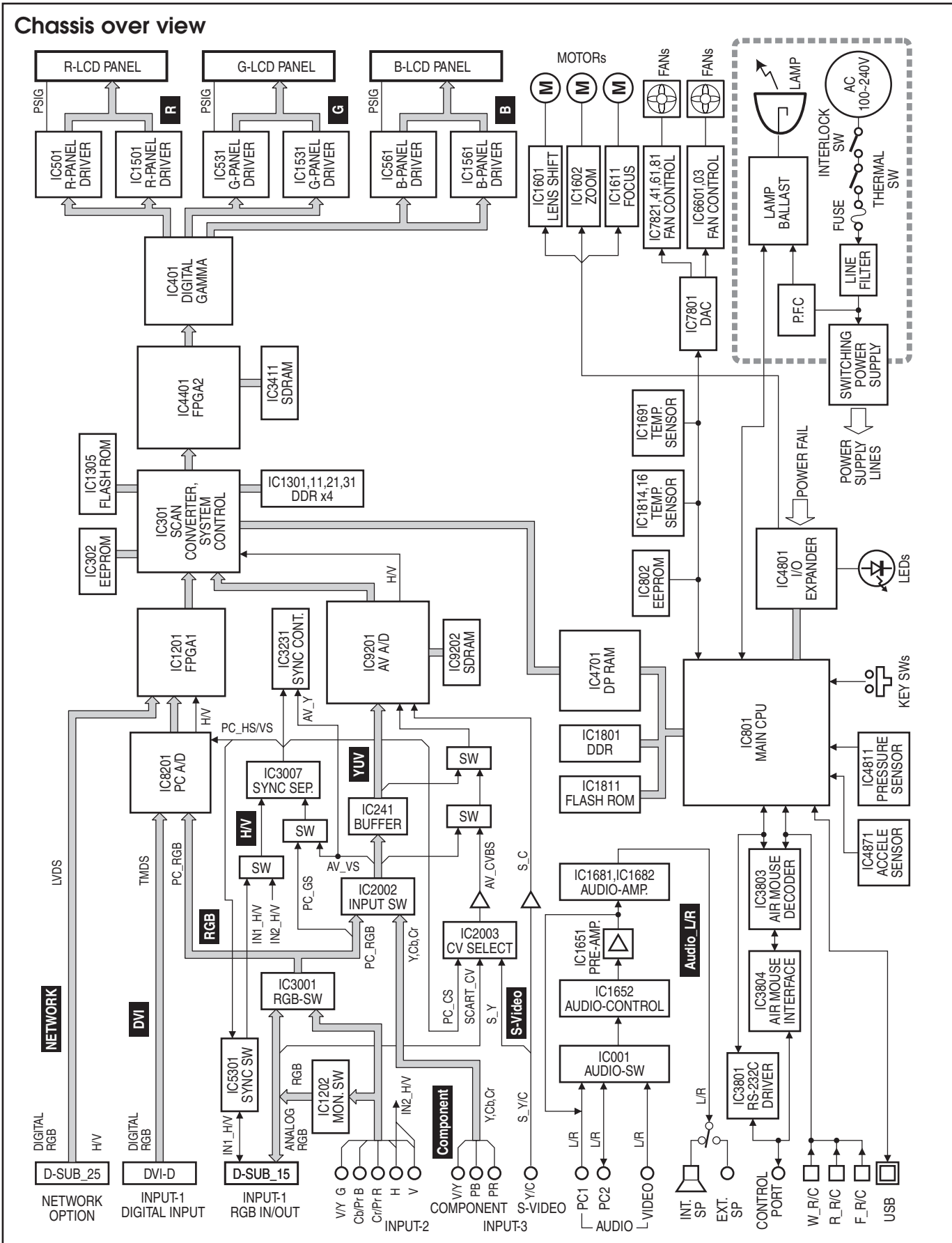
Electrical Adjustments

Group No.	Adjustment Item	Initial Value	Range	Input source / Description
720	2:2pull down setting			
0	22Film Mode Sensitivity	4	1 ~ 5	Film Detection Sensitivity <FILMSTVT22>
1	22Film Mode Threshold Low	80	0 ~ 32767	<FILMTHRD22A>
2	22Film Mode Threshold High	120	0 ~ 32767	<FILMTHRD22B>
3	VOFTHR13	124	0 ~ 1023	<VOFTHR13>
4	VOFTHR12	124	0 ~ 1023	<VOFTHR12>
5	VOFTHR23	124	0 ~ 1023	<VOFTHR23>
6	Video Motion Window Start X	10	0 ~ 2047	<VOFSTARX>
7	Video Motion Window Stop X	10	0 ~ 2047	<VOFSTOPX>
8	Video Motion Window Start Y	10	0 ~ 1023	<VOFSTARY>
9	Video Motion Window Stop Y	10	0 ~ 1023	<VOFSTOPY>
721	2:3pull down setting			
0	Global Motion Sensitivity	4	1 ~ 5	Film Detection Sensitivity <FILMSTVT23>
1	Video Motion Sensitivity	4	1 ~ 5	Film Detection Sensitivity <VOFSTVT>
2	Video Motion Threshold Low	120	0 ~ 32767	<VOFTHRDA>
3	Video Motion Threshold High	180	0 ~ 32767	<VOFTHRDB>
4	Global Motion Threshold	124	0 ~ 1024	<GMDTHRD>
5	23Film Mode Threshold	100	0 ~ 32767	<FILMTHRD23>
6	Global Motion Window Start X	10	0 ~ 2047	<GMDSTARX>
7	Global Motion Window Stop X	10	0 ~ 2047	<GMDSTOPX>
8	Global Motion Window Start Y	10	0 ~ 1023	<GMDSTARY>
9	Global Motion Window Stop Y	10	0 ~ 1023	<GMDSTOPY>
975	Ghost Drift			
0	SHP	9	0 ~ 63	
1	GC_ON	1	0 ~ 1	
2	R_GC_ATT	0	0 ~ 255	
3	G_GC_ATT	0	0 ~ 255	
4	B_GC_ATT	0	0 ~ 255	
5	DCK1F	24	0 ~ 63	
6	DCK2F	24	0 ~ 63	
7	DCK3F	24	0 ~ 63	
8	DCK4F	24	0 ~ 63	
9	DCK5F	2	0 ~ 63	
10	DCK6F	24	0 ~ 63	
11	DFT_ON	0	0 ~ 1	
12	R_HPC_DAT	0	0 ~ 2047	
13	R_HPC_DAT	0	0 ~ 2047	
14	R_HPC_DAT	0	0 ~ 2047	
15	DCK_CDAT	-	-	Read only
980	Color shading correction			
0	Level R-MAX	625	0 ~ 1023	
1	Level R-MID1	521	0 ~ 1023	
2	Level R-MID2	371	0 ~ 1023	
3	Level R-MIN	246	0 ~ 1023	
4	Level G-MAX	625	0 ~ 1023	
5	Level G-MID1	521	0 ~ 1023	
6	Level G-MID2	371	0 ~ 1023	
7	Level G-MIN	246	0 ~ 1023	
8	Level B-MAX	625	0 ~ 1023	
9	Level B-MID1	521	0 ~ 1023	
10	Level B-MID2	371	0 ~ 1023	
11	Level B-MIN	246	0 ~ 1023	
981	Factory use			
990	PW-OSD Test Pattern			
0	Test Pattern Display	0	0 ~ 20	0: off, 1: grid (W), 2: grid (R), 3: grid (G), 4: grid (B), 5: grid (Mg), 6: grid (Cy) 7: grid (Y), 8: horizontal gray scale (left=W), 9: horizontal gray scale (right=W) 10: vertical gray scale (up=W), 11: vertical gray scale (down=W), 12: color bar 13: flat (W=20%), 14: flat (W=30%), 14: flat (W=40%), 16: flat (W=50%), 17: flat (W=60%), 18: flat (W=70%), 19: flat (W=80%), 20: flat (W=100%),
991	D-Gamma Test Pattern			
0	Test Pattern Display	0	0 ~ 6	0: off, 1: OSD gray scale;e, 2: window, 3: vertical gray scale, 4: horizontal band 5: diagonal lines, 6: dot (Not memorized)
1	Red OSD Scale Setting	960	0 ~ 1023	(Not memorized)
2	Green OSD Scale Setting	960	0 ~ 1023	(Not memorized)
3	Blue OSD Scale Setting	960	0 ~ 1023	(Not memorized)

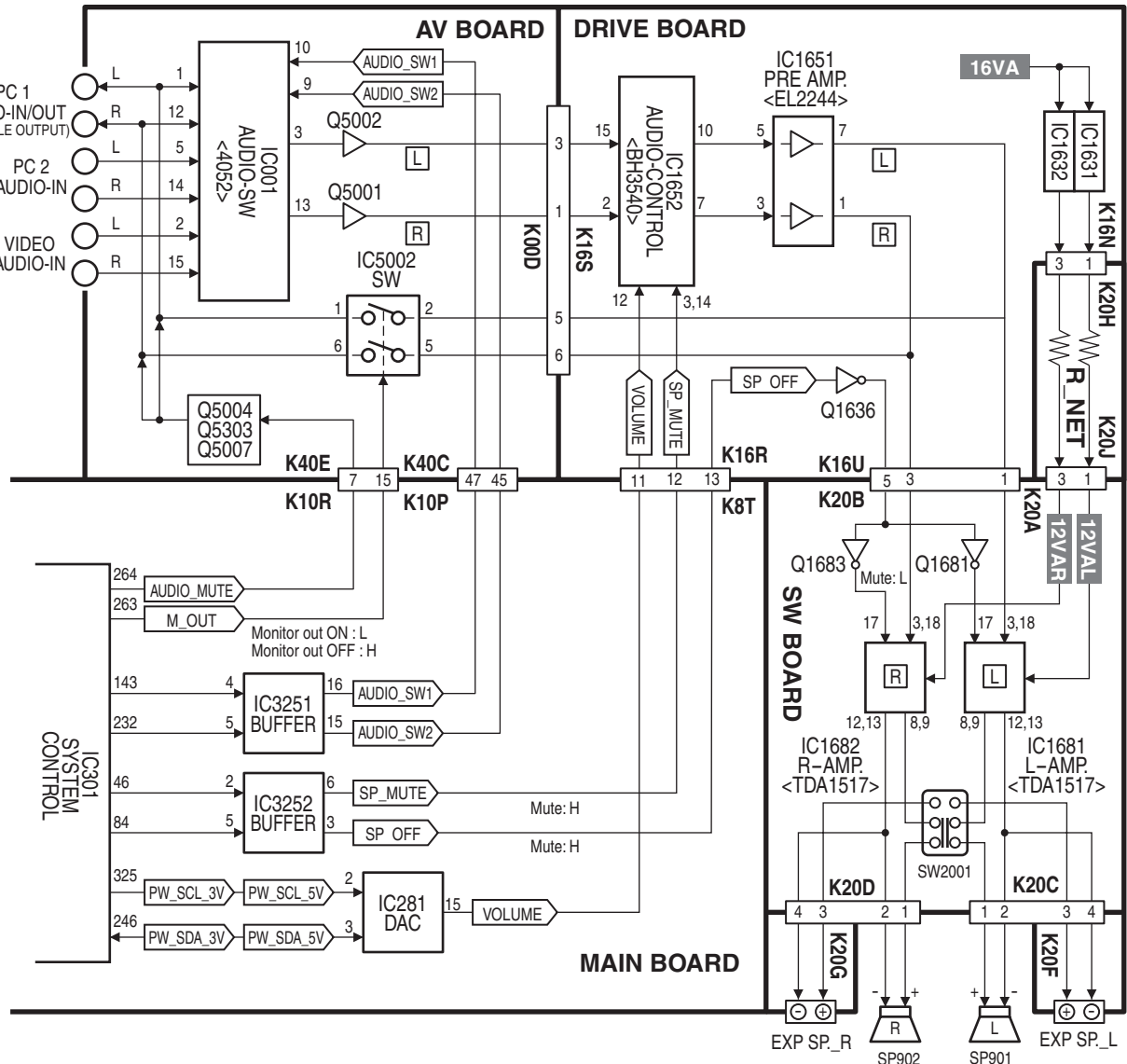
Chassis Description

Chassis block diagrams

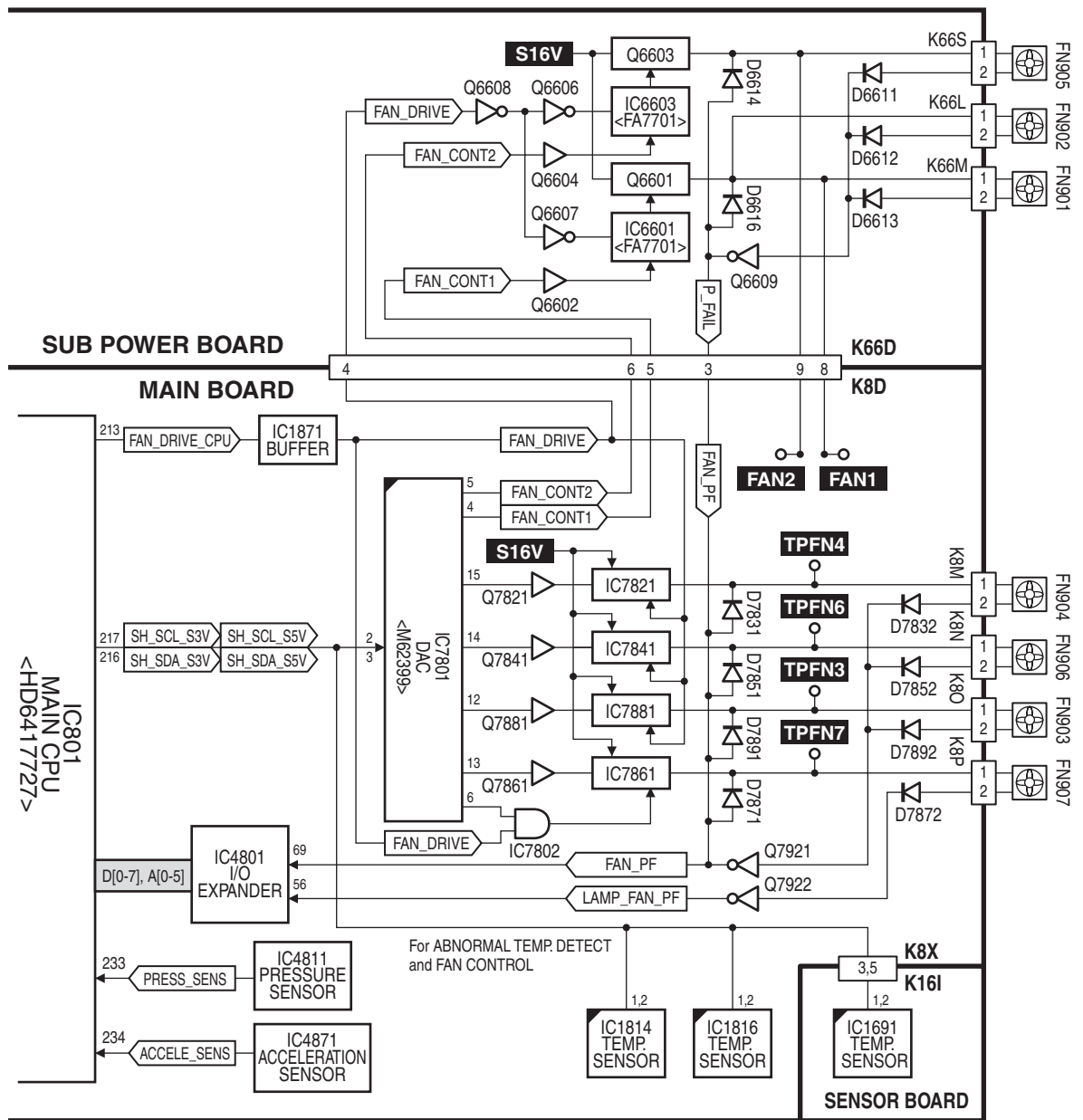
Chassis over view



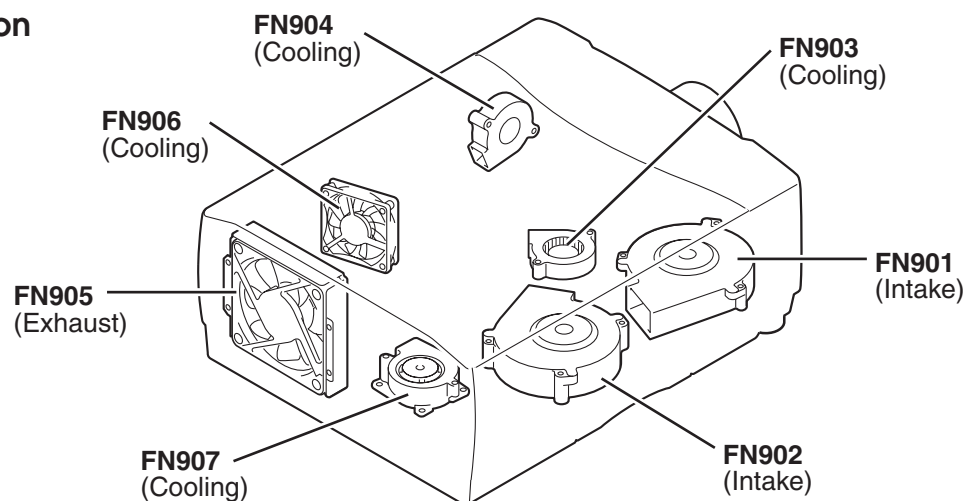
Audio signal processing stage



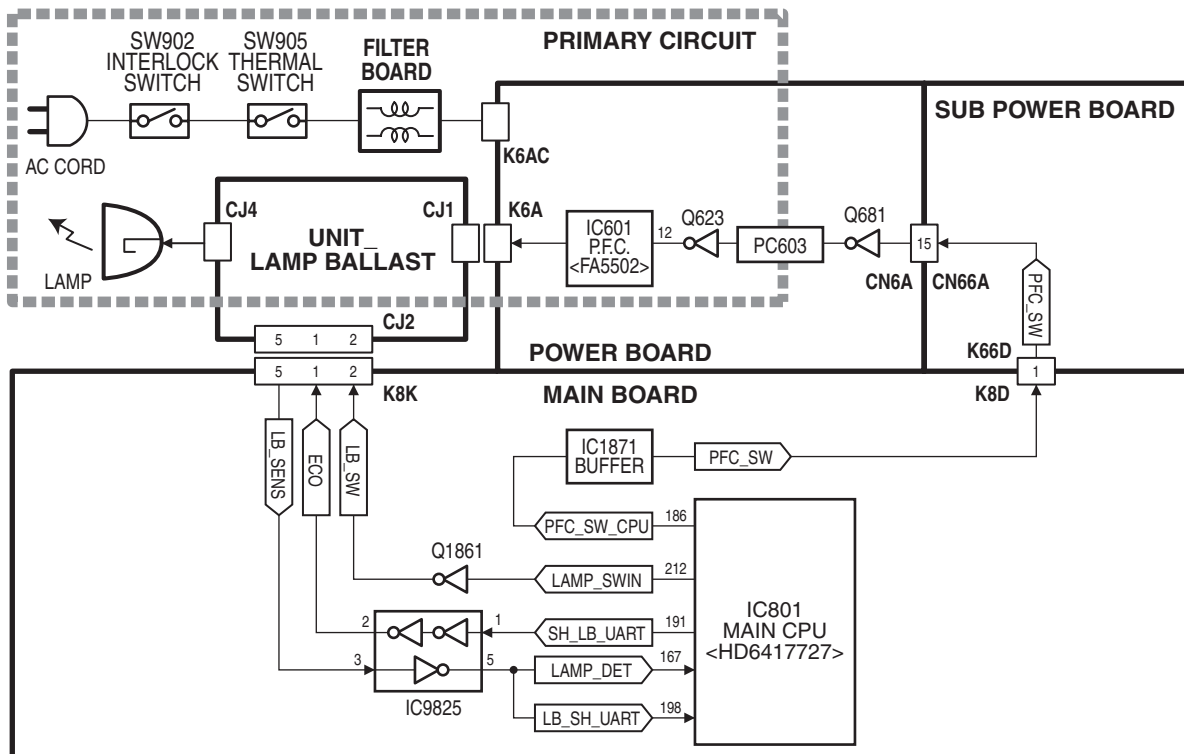
FAN control stage



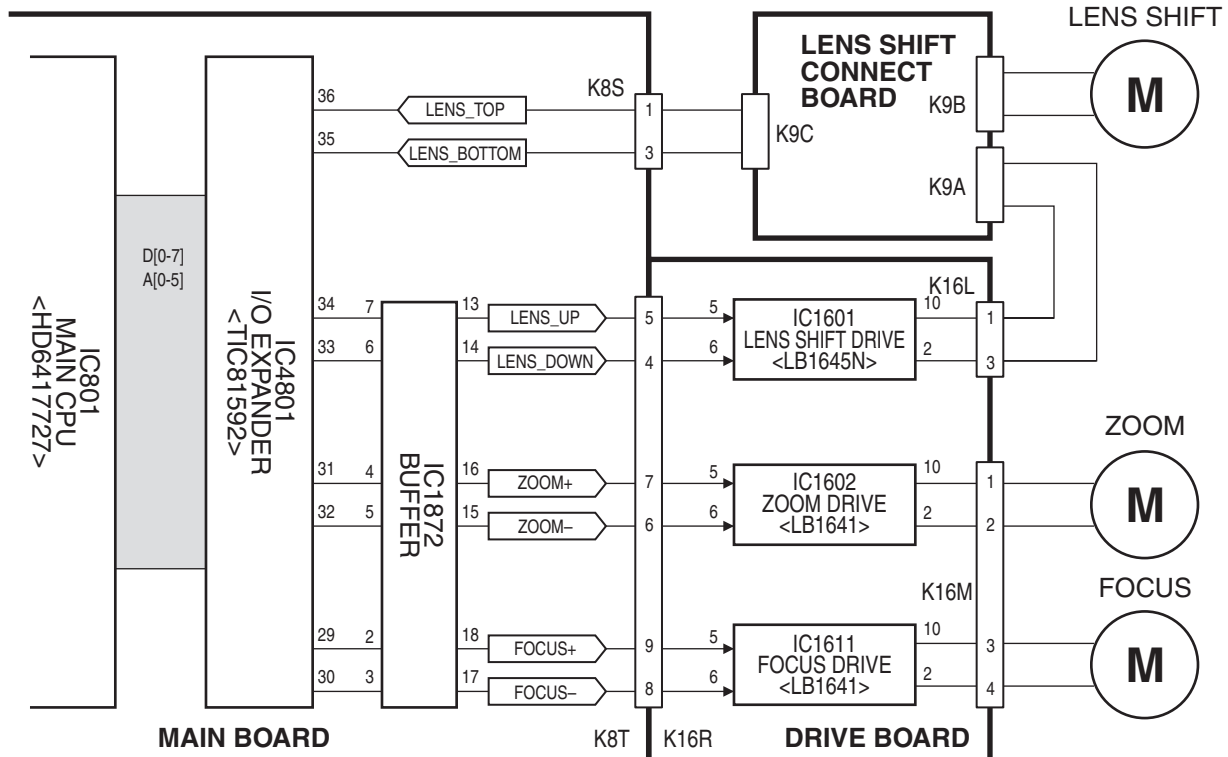
FAN location



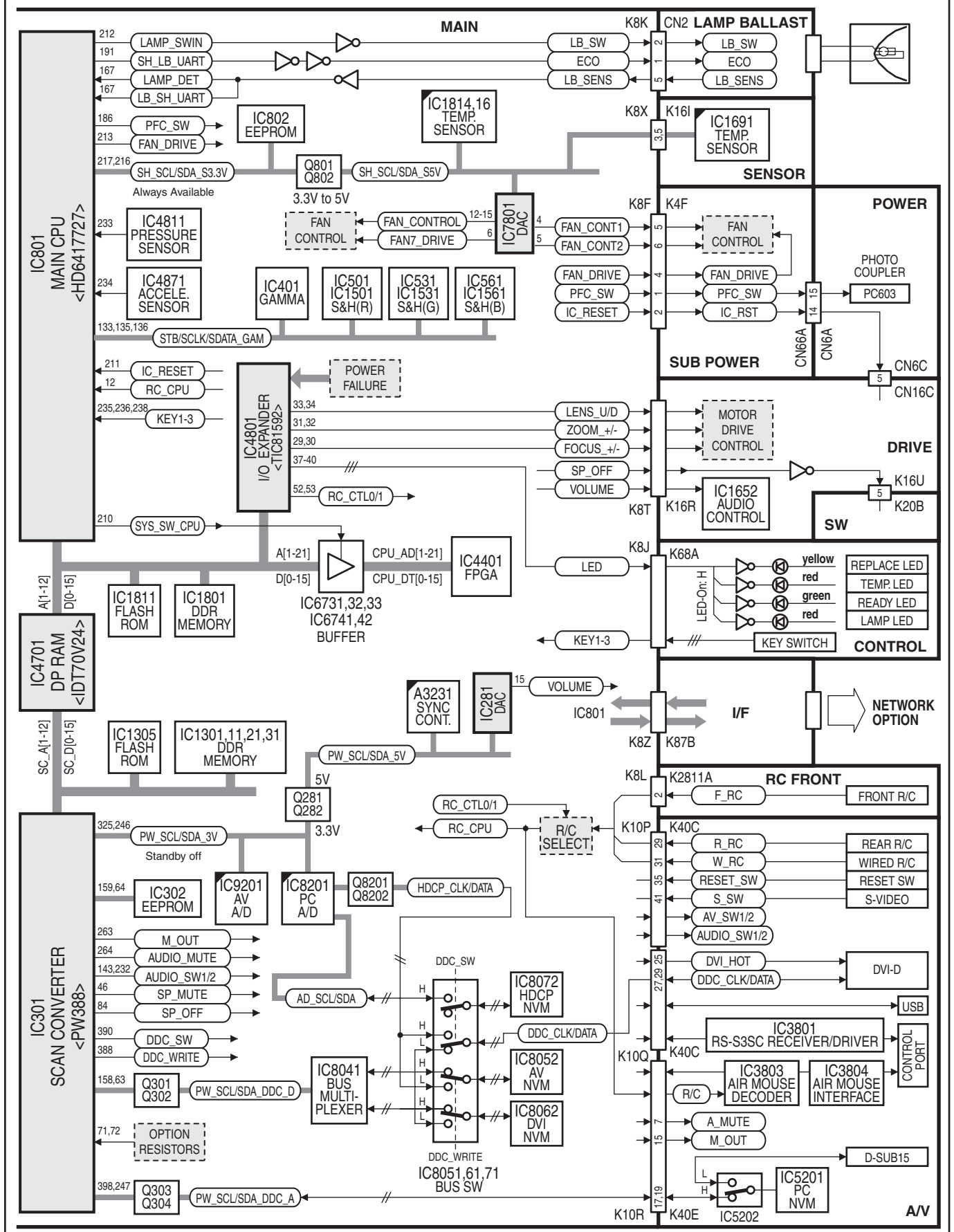
Lamp control stage



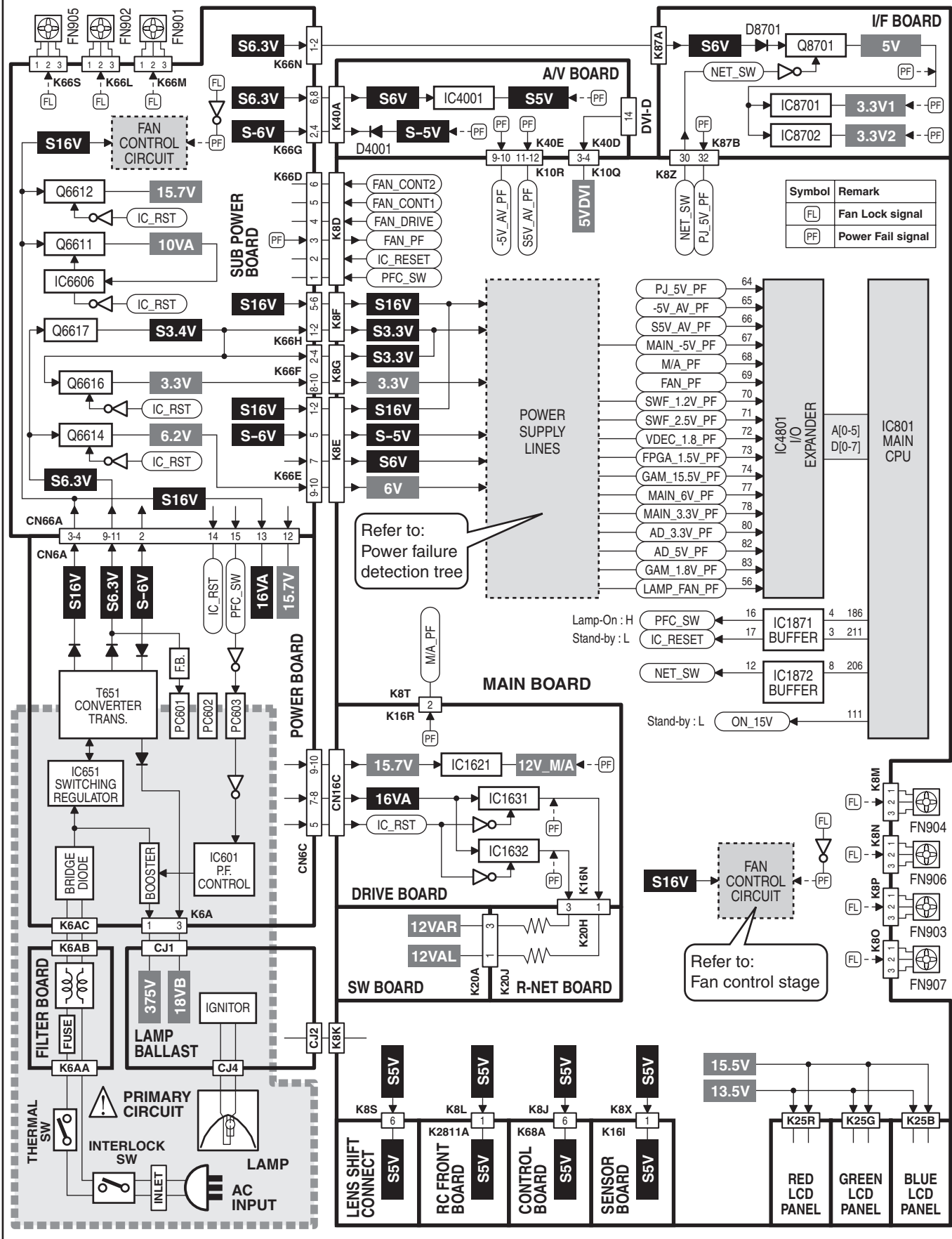
Motor control stage



Serial bus control stage



Power supply lines & power failure detection



LED indication and projector condition

Check the indicators for projector condition.

Indicators				Projector Condition
LAMP REPLACE yellow	WARNING TEMP. red	READY green	LAMP red	
●	●	●	●	The projector is OFF. (The AC power cord is unplugged.)
*	●	○	○	The projector is ready to be turned on with the POWER ON-OFF button.
*	●	○	●	The projector is operating normally.
*	★	●	○	The Warning Temp. indicator blinks red to let you know the internal temperature of the projector exceeds a normal level. If the temperature goes up further, the projector will be turned off automatically and the Ready indicator goes out. When the projector is cooled down enough and the temperature returns to normal, the READY indicator lights green and the projector can be turned on again. (The WARNING TEMP. indicator keeps blinking.) Check and clean the air filters.
*	★	○	○	The projector is cooled down enough and the temperature returns to normal. When turning on the projector, the WARNING TEMP. indicator stops blinking. Check and clean the air filters.
*	●	●	○	The projector is in cooling mode. It cannot be turned on until the READY indicator lights green.
★	★	★	○	The projector detects an abnormal condition and cannot be turned on. Unplug the AC power cord and plug it again to turn on the projector. If the projector is turned off again, disconnect the AC power cord and contact the dealer or the service center for service and checkup. Do not leave the projector on. It may cause electric shock or a fire hazard.
*	●	★	●	The projector is in the Power management mode.
*	★	○	●	The temperature inside the projector is abnormally high.
★	●	●	○	The lamp cannot light up. (The projector is preparing for stand-by or the projection lamp is in cooling mode. The projector cannot be turned on until the cooling process is completed.)
★	●	○	○	The lamp cannot light up. (The lamp has been cooled down enough and the projector is in stand-by mode and ready to be turned on with the POWER ON-OFF button.)
○	*	●	●	The projection lamp reaches its end of life. Replace the lamp and then reset the Lamp replacement counter. The indicator is turned off.

○ ... on ★ ... flashing ● ... dim ● ... off

*When the projection lamp reaches its end of life, the LAMP REPLACE indicator lights yellow. When this indicator lights yellow, replace the projection lamp with a new one promptly. Reset the Lamp replacement counter after replacing the lamp.

Power failure detection system

Detection of Power failure

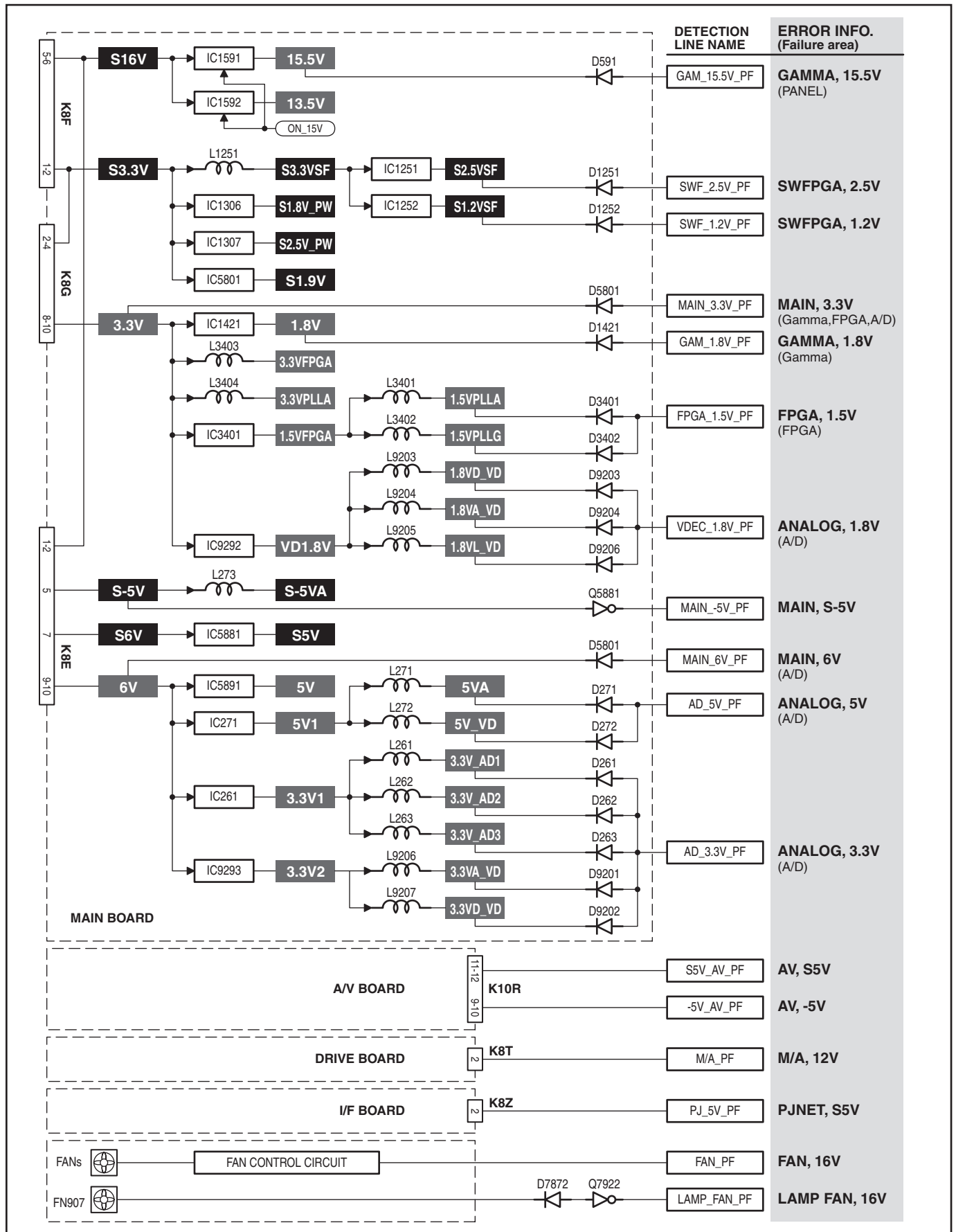
The projector provides a protection circuit to prevent the secondary failure when the power failure, fans failure or temperature failure occurs on the projector. The power failure detection lines "MAIN_6V_PF", "MAIN_-5V_PF", etc. are connected to the main power supplies. When the failure occurs, IC801<CPU> receives an error information through the power failure detection lines and turns off the signal "IC_RESET_CPU" output from pin 211 to stop the power supply.

The power failure detection signals are sent to IC4801<I/O expander> and then sent to IC801<CPU>.

Error information table

IC	Pin	Signal Name	Connection	Error Information
IC4801 TIC81592GPBM	64	PJ_5V_PF	PJNET S5V	PJNET, S5V
	65	-5V_AV_PF	AV S-5V (AV BOARD)	AV, -5V
	66	S5V_AV_PF	AV S5V (AV BOARD)	AV, S5V
	67	MAIN_-5V_PF	SUB_POWER S-5V (MAIN)	MAIN, S-5V
	68	M/A_PF	MOTOR&AUDIO 12V	M/A, 12V
	69	FAN_PF	FAN 16V	FAN, 16V
	70	SWF_1.2V_PF	SW FPGA 1.2V	SWFPGA, 1.2V
	71	SWF_2.5V_PF	SW FPGA 2.5V	SWFPGA, 2.5V
	72	VDEC_1.8_PF	CXD3807 1.8V	ANALOG, 1.8V
	73	FPGA_1.5V_PF	FPGA 1.5V	FPGA, 1.5V
	74	GAM_15.5V_PF	GAMMA 15.5V	GAMMA, 15.5V
	77	MAIN_6V_PF	SUB POWER 6V (MAIN)	MAIN, 6V
	78	MAIN_3.3V_PF	SUB_POWER 3.3V (MAIN)	MAIN, 3.3V
	80	AD_3.3V_PF	AD9882 3.3V	ANALOG, 3.3V
	82	AD_5V_PF	AD9882 5V	ANALOG, 5V
	83	GAM_1.8V_PF	GAMMA 1.8V	GAMMA, 1.8V
56	LAMP_FAN_PF	LAMP_IN_FAN 16V	LAMP FAN, 16V	

Power failure detection tree



Diagnosis of power failure with RS-232C port

This projector provides a function to get the error information of the projector by using the RS-232C serial port for the power failure diagnosis.

The further error information of the power failure and fan failure can be found out by using this function.

Diagnosis procedure

- 1 Connect a RS-232C serial cross cable to SERIAL PORT IN on the projector and serial port on the PC.
- 2 Launch a communication software "Hyper terminal" provided with PC and setup the communication condition as follows;

Baud rate : 19200 bps
 Parity check : none
 Stop bit : 1
 Flow control : none
 Data bit : 8

- 3 Turn on the projector. Check that the LED shows a power failure. (All the LEDs except LAMP LED are blinking)

- 4 Type a diagnosis command of the power failure "**CR ALLP-FAIL**" and press a "ENTER" key within 1 second on the command window of the software.

The error information will be listed on the window as the right.

Check the status column. If "NG" is listed, the power failure occurs on its signal line (Power Line Name).

In case of the right table, this error information means that the power failure occurs on the S-5V power supply on the analog circuit on the main board. Check if the parts connected to S-5V power supply line are defective.

Error Information (Signal name)	Status	Error
CR ALLPFAIL		
000 PJNET,	S5V OK	
000 AV,	-5V OK	
000 AV,	S5V OK	
000 MAIN,	S-5V NG	
000 M/A,	12V OK	
000 FAN,	16V OK	
000 SWFPGA,	1.2V OK	
---	---	--

Also the error information may be listed multiple as the below;

In the above case, 2 kinds of causes are considered.

One is the power failure occurs on the multiple places at the same time, other is a power failure affects multiple power supply lines even if the failure occurs on the single place.

In the former case, check if the parts connected to the multiple power supply lines are defective. In the latter case, determine a failure point referring to "Power failure detection tree" on the previous page. Basically, if the power failure occurs on the upper side of power supply, the power failure is also detected on lower side of power supply frequently. If the failure occurs on the lower side of power supply, it is lightly affected to the upper side of the power supply. In the above case, because the failure occurs on the 6V power supply on the analog circuit on the main board, the failure is also detected on the 3.3V and 5V power supply on the ANALOG circuit on the main board.

---	---	---	--
000	ANALOG,	1.8V	OK
000	FPGA,	1.5V	OK
000	GAMMA,	15.5V	OK
000	MAIN,	6V	NG
000	MAIN,	3.3V	OK
000	ANALOG,	3.3V	NG
000	ANALOG,	5V	NG
000	GAMMA,	1.8V	OK
---	---	---	--

Error

* See "Power Failure Detection Tree" for further description of the Error Information.

Error history log

The projector provides the error history log function. To check the logs, you need to enter the service mode and select Group No. "91" and Item No. "0" to "49". The error code is displayed on the Data column. The description of the error code is listed on the table below.

How to enter the service mode and selection of the group and item, see "Service Adjustment Menu Operation" on page 24.

Group No.	Item No.	Data (Error Code)	<-- See table below
91	0	*	<-- The Latest Error
	1	*	
	2	*	
	3	*	
	:	:	
	:	:	
	:	:	
	48	*	
	49	*	

Error	Error Code	Error Information
Normal	0	-
Power Failure	1000	PJNET, S5V
	1001	AV, -5V
	1002	AV, S5V
	1003	MAIN, S-5V
	1004	M/A, 12V
	1005	FAN, 16V
	1006	SWFPGA, 1.2V
	1007	SWFPGA, 2.5V
	1008	ANALOG, 1.8V
	1009	FPGA, 1.5V
	1010	GAMMA, 15.5V
	1011	MAIN, 6V
	1012	MAIN, 3.3V
	1013	ANALOG, 3.3V
	1014	ANALOG, 5V
	1015	GAMMA, 1.8V
	1016	LAMP FAN, 16V
	1017	Factory use
	1018	Factory use
1019	Factory use	
Temperature Error	2000	Sensor A detects abnormal temperature.
	2001	Sensor A fails measurement.
	2100	Sensor B detects abnormal temperature.
	2101	Sensor B fails measurement.
	2102	Sensor B-A temperature error
	2200	Sensor C detects abnormal temperature.
	2201	Sensor C fails measurement.
Lamp Error	3000	Lamp fails on.
	3001	lamp goes out.
	3002	Communication error on lamp

Control Port Functions

● System Control & I/O Port Table (IC801, HD6417727F)

Pin No.	Function Name	Function	Polarity	I/O
1	1.9V	Power for RTC(1.9V)	-	-
2	(Not used)	X'TAL for built-in RTC	(Open)	-
3	1.9V	X'TAL for built-in RTC	(Vcc)	-
4	GND	Power for RTC(0V)	-	-
5	MD1	Clock mode setting [Default:L]	L fixed	I
6	MD2	Clock mode setting [Default:L]	L fixed	I
7	NMI	Request for non-maskable interrupt	-	I
8	IRQ0	TE7780 interrupt	Active L	I
9	(Not used)	(Not used)	(Pull-up)	I
10	VSYNC_INTR	V-sync interrupt for panel drive	Active L	I
11	SH_INT_DPRAM	Dual Port RAM interrupt	Active L	I
12	R/C	Remote control signal input	Active L	I
13	(Not used)		(Open)	I
14	(Not used)		(Open)	I
15	MD5	Endian Setting	L fixed	I
16	(Not used)		(Pull-up)	-
17	(Not used)		(Open)	O
18	GND	Power for Input/Output (0V)	-	-
19	(Not used)		(Open)	-
20	3.3V	Power for Input/Output(3.3V)	-	-
21	D31	Data Bus	-	I/O
22	D30	Data Bus	-	I/O
23	D29	Data Bus	-	I/O
24	D28	Data Bus	-	I/O
25	D27	Data Bus	-	I/O
26	D26	Data Bus	-	I/O
27	D25	Data Bus	-	I/O
28	D24	Data Bus	-	I/O
29	GND	Power for Input/Output(0V)	-	-
30	D23	Data Bus	-	I/O
31	3.3V	Power for Input/Output(3.3V)	-	-
32	D22	Data Bus	-	I/O
33	D21	Data Bus	-	I/O
34	D20	Data Bus	-	I/O
35	GND	Power (0V)	-	-
36	D19	Data Bus	-	I/O
37	1.9V	Power (1.9V)	-	-
38	D18	Data Bus	-	I/O
39	D17	Data Bus	-	I/O
40	D16	Data Bus	-	I/O
41	D15	Data Bus	-	I/O
42	GND	Power for Input/Output(0V)	-	-
43	D14	Data Bus	-	I/O
44	3.3V	Power for Input/Output(3.3V)	-	-
45	D13	Data Bus	-	I/O
46	D12	Data Bus	-	I/O
47	D11	Data Bus	-	I/O
48	D10	Data Bus	-	I/O
49	D9	Data Bus	-	I/O
50	D8	Data Bus	-	I/O
51	D7	Data Bus	-	I/O
52	D6	Data Bus	-	I/O
53	GND	Power for Input/Output (0V)	-	-
54	D5	Data Bus	-	I/O
55	3.3V	Power for Input/Output (3.3V)	-	-
56	D4	Data Bus	-	I/O
57	D3	Data Bus	-	I/O
58	D2	Data Bus	-	I/O
59	D1	Data Bus	-	I/O
60	D0	Data Bus	-	I/O
61	A0	Address Bus	-	O
61	A1	Address Bus	-	O
63	A2	Address Bus	-	O
64	GND	Power for Input/Output(0V) - -	-	-
65	A3	Address Bus	-	O
66	3.3V	Power for Input/Output(3.3V) - -	-	-
67	A4	Address Bus	-	O

Control Port Functions

Pin No.	Function Name	Function	Polarity	I/O
68	A5	Address Bus	-	O
69	A6	Address Bus	-	O
70	A7	Address Bus	-	O
71	A8	Address Bus	-	O
72	A9	Address Bus	-	O
73	A10	Address Bus	-	O
74	A11	Address Bus	-	O
75	GND	Power for Input/Output(0V)	-	-
76	A12	Address Bus	-	O
77	3.3V	Power for Input/Output(3.3V)	-	-
78	A13	Address Bus	-	O
79	A14	Address Bus	-	O
80	A15	Address Bus	-	O
81	A16	Address Bus	-	O
82	A17	Address Bus	-	O
83	A18	Address Bus	-	O
84	A19	Address Bus	-	O
85	A20	Address Bus	-	O
86	GND	Power for Input/Output(0V)	-	-
87	A21	Address Bus	-	O
88	3.3V	Power for Input/Output(3.3V)	-	-
89	A22	Address Bus	-	O
90	A23	Address Bus	-	O
91	GND	Power for Input/Output(0V)	-	-
92	A24	Address Bus	-	O
93	1.9V	Power for Input/Output(1.9V)	-	-
94	A25	Address Bus	-	O
95	BS [for ICE]	Bus cycle Start Signal	-	O
96	RD	Read Strobe	-	O
97	WE0	D7-D0 Select Signal/DQM(SDRAM)	-	O
98	WE1	D15-D8 Select Signal/DQM(SDRAM)	-	O
99	WE2	D23-D16 Select Signal/DQM(SDRAM)	-	O
100	GND	Power for Input/Output(0V)	-	-
101	WE3	D31-D24 Select Signal/DQM(SDRAM)	-	O
102	3.3V	Power for Input/Output(3.3V)	-	-
103	RDWR	Read/Write	-	O
104	AUDSYNC [for ICE]	AUD Synchronize	-	O
105	CS0	Chip Select0 Flash Memory [16bit]	-	O
106	CS2	Chip Select2 Peripheral Device1[16bit]	-	O
107	CS3	Chip Select3 SDRAM [32bit]	-	O
108	CS4	Chip Select4 Peripheral Device2[8bit]	-	O
109	CS5	Chip Select5 Peripheral Device3[8bit]	-	O
110	CS6	Chip Select6 Peripheral Device3[8bit]	-	O
111	ON_15V	Power Control for Panel Drive	-	O
112	SH_SEM_DPRAM	DPRAM Semafo	H fixed	O
113	SWF_CCLK	Clock for Config.	-	O
114	SWF_PROG	Starting for Config.	-	O
115	GND	Power for Input/Output(0V)	-	-
116	(Not used)	-	(Pull-up)	-
117	3.3V	Power for Input/Output(3.3V)	-	-
118	LAMP OPTION SW3	Option SW3	SW1/Sw2/SW3 H/L/H = 320W	I
119	LAMP OPTION SW2	Option SW2		
120	LAMP OPTION SW1	Option SW1		
121	PW_BSY	Prohibit control for DPRAM access	Busy L	I
122	(Reserved)	Transceiver Suspend Output (Reserved)	(Open)	O
123	USBF_VBUS[Func]	USB FunctionVBUS	(Pull-up)	I
124	USB2_ovr_crnt [Host]	USB Host 2 Over Current Detection	(Pull-up)	I
125	(USB Digital)	SCIF RTS/Output Enable for USB	(Open)	O
126	USB1_pwr_en[Func]	USB1 Voltage Control	(Open)	O
127	USB2_pwr_en[Host]	USB2 Voltage Control	(Open)	O
128	CKE	CK Enable(SDRAM)	-	O
129	RAS3	SDRAM RAS	-	O
130	SH_EEP_WP	EEPROM Write Protect	L: Write Enable	O
131	CAS	SDRAM CAS	-	O
132	GND	Power for Input/Output(0V)	-	-
133	STB_GAM_WP	Control for Digital Gamma IC (3 line Serial Strobe)	Select L	O
134	3.3V	Power for Input/Output(3.3V)	-	-
135	SCLK_GAM_SH	Control for Digital Gamma IC (3 line Serial CLK)	-	O
136	SDATA_GAM_SH	Control for Digital Gamma IC (3 line Serial DATA)	-	O

Control Port Functions

Pin No.	Function Name	Function	Polarity	I/O
137	GND	Power (0V)	-	-
138	PW_RESET	Reset for PW	Reset with L>H>L	O
139	1.9V	Power (1.9V)	-	-
140	PW_SEL	PIXEL 232C Selection	SH:H, PW:L	O
141	EXP_RESET	I/O Expander Reset Signal	Reset: H	O
142	RESET_GAM	Reset for Digital Gamma IC		O
143	TDO [for ICE]	Test Data output	-	O
144	(Not used)		(Open)	O
145	(Not used)		(Open)	O
146	SH_FPG_WAIT	Hardware Wait Request	Wait with L	I
147	RESETM	Manual Reset Request	-	I
148	(Reserved)	Analog Trigger/Inout Port H	(Open)	I
149	(Not used)		(Pull-down)	I
150	ASEMD0 [for ICE]	ASE Mode	-	I
151	ASEBRKAK [for ICE]	ASE Brake	-	O
152	(Not used)		(Pull-up)	I
153	AUDATA[3] [for ICE]	AUD data	-	O
154	AUDATA[2] [for ICE]	AUD data	-	O
155	GND	Power (0V)	-	-
156	AUDATA[1] [for ICE]	AUD data	-	O
157	1.9V	Power (1.9V)	-	-
158	AUDATA[0] [for ICE]	AUD data	-	O
159	GND	Power for Inout/Output(0V)	-	-
160	TRST [for ICE]	Test Reset	-	I
161	3.3V	Power for Inout/Output(3.3V)	-	-
162	TMS [for ICE]	Test Mode Switch	-	I
163	TDI [for ICE]	Test Data Input	-	I
164	TCK [for ICE]	test Clock	-	I
165	(Not used)		(Pull-down)	I
166	(Not used)		(Pull-down)	I
167	LAMP_DET	Lamp Fail Detection I Lamp Failure Detection until Dimmer Starts	L: Lamp fail	I
168	SWF_INIT	Config. status signal		I
169	MD0	Clock Mode Setting [Default:L]	L fixed	I
170	1.9V	PLL1 Power (1.9V)	-	-
171	CAP1	PLL1 External Condenser - [470pF]	-	-
172	GND	PLL1 Power (0V)	-	-
173	GND	PLL2 Power (0V)	-	-
174	CAP2	PLL2 External Condenser - [470pF]	-	-
175	1.9V	PLL2 Power (1.9V)	-	-
176	AUDCK [for ICE]	AUD Clock	-	I
177	GND	Power (0V)	-	-
178	1.9V	Power (1.9V)	-	-
179	(Reserved)	Clock Oscillator	(Open)	-
180	EXTAL	External Click/X'TAL	-	I
181	SWF_DONE	Config. process finishing signal		I
182	BOX_SW	Detect on/Off for PJ-Net Board	L: Yes, H: No	I
183	FPGA_nSTATUS	Error Detection during the Config.	H:Error	I
184	FPGA_CONF_DONE	OK Detection during the Config.	H:OK	I
185	SH_FLASH_WP	Flash IC Write Protect	L: Protect	O
186	PFC_SW_EX	PFC_SW		O
187	SWF_D0	Config. data		O
188	GND	Power for Inout/Output(0V)	-	-
189	CKIO	System Clock IO	-	I/O
190	3.3V	Power for Inout/Output(3.3V)	-	-
191	SH_LB_UART	Dimmer Control	H: at lamp ON	O
192	(Not used)		(Open)	-
193	(Not used)		(Open)	-
194	(Not used)		(Pull-up)	-
195	SH_EX_UART	Send Data2 [External]	19200 or 9600bps	O
196	(Not used)		(Pull-up)	-
197	(Not used)		(Pull-up)	-
198	LB_SH_UART	Dimmer control and lamp error detect	-	I
199	(Not used)		(Pull-up)	-
200	GND	Power (0V)	-	-
201	EX_SH_UART	Receive Data2 [External]	19200 or 9600bps	I
202	1.9V	Power (1.9V)	-	-
203	(Not used)		(Pull-up)	I
204	FPGA_NCONFIG	Start config.	L -> H start	O
205	NET_H/L	Request command for PJNet	Active L	O

Control Port Functions

Pin No.	Function Name	Function	Polarity	I/O
206	NET_SW	Switch On/Off for PJ-Net Power	L:On, H: Off	O
207	GND	Power for Inout/Output(0V)	-	-
208	FPGA_CLB	Initialize for circuit	H after config.	O
209	3.3V	Power for Inout/Output(3.3V)	-	-
210	SYS_SW_CPU	Bus Switch		O
211	IC_RESET_CPU	Power Control peripheral ICs		O
212	LAMP_SWIN	Lamp Drive	H: On, L: Off	O
213	FAN_DRIVE_CPU	Fan Drive	O H: On, L: Off	O
214	SH_SDA_3V	IIC Bus (standby Off)	L: Active	I/O
215	SH_SCL_3V	IIC Bus (standby Off)	L: Active	I/O
216	SH_SDA_S3V	IIC Bus (always On)	L: Active	I/O
217	SH_SCL_S3V	IIC Bus (always On)	L: Active	I/O
218	PW_SH_0	PW-SH Input Signal		I
219	UCLK	USB Clock [48MHz]	(Pull-up)	I
220	RESETP	Power On Reset Request	L: On reset	I
221	(Not used)		(Pull-up)	-
222	MD3	Bus Width Setting for Area0	L fixed	I
223	MD4	Bus Width Setting for Area0	L fixed	I
224	3.3V	Test(3.3V Fixed)	-	I
225	3.3V	USB Analog Power(3.3V)	-	-
226	(USB1P)[Func]	USB1 Data I/O(+)	(Open)	I/O
227	(USB1M)[Func]	USB1 Data I/O(-)	(Open)	I/O
228	GND USB	Analog Power (0V)	-	-
229	(USB2P)[Host]	USB2 Data I/O(+)	(Open)	I/O
230	(USB2M)[Host]	USB2 Data I/O(-)	(Open)	I/O
231	3.3V	USB Analog Power(3.3V)	-	-
232	GND	Analog Power (0V)	-	-
233	PRESS_SENS	Input for Pressure Sensor	Analog Input	AI
234	ACCELE_SENS	Input for Acceleration Sensor	Analog Input	AI
235	KEY1	KEY AD Converter Input	Analog Input	AI
236	KEY2	KEY AD Converter Input	Analog Input	AI
237	3.3V	Analog Power(3.3V)	-	-
238	KEY3	KEY AD Converter Input	Analog Input	AI
239	OPT1	Option Input	Analog Input	AI
240	GND	Analog Power (0V)	-	-

● Parallel I/O Expander (IC4801, TIC81592GP)

Pin No.	Function Name	Function	Polarity	I/O
1	S3.3V	-	-	-
2	XIN	Clock input (14.7456MHz)		I
3	XOUT		Open	O
4	GND	-	-	-
5	S3.3V	-	-	-
6	D7	Data Bus 7		I/O
7	D6	Data Bus 6		I/O
8	D5	Data Bus 5		I/O
9	D4	Data Bus 4		I/O
10	D3	Data Bus 3		I/O
11	D2	Data Bus 2		I/O
12	D1	Data Bus 1		I/O
13	D0	Data Bus 0		I/O
14	A5	Address 5		I
15	A4	Address 4		I
16	A3	Address 3		I
17	A2	Address 2		I
18	A1	Address 1		I
19	A0	Address 0		I
20	GND	-	-	-
21	SH_WE0	Write signal		I
22	SH_RD	Read signal		I
23	SH_CS6	Chip enable		I
24	EXP_RESET	Reset input signal		I
25	S3.3V	-	-	-
26	GND	-	-	-
27	MODE0	CPU I/F setting		I
28	MODE1	CPU I/F setting		I
29	FOCUS+_EX	Focus Up	L: Active, H: Stop	O
30	FOCUS-_EX	Focus Down	L: Active, H: Stop	O
31	ZOOM+_EX	Zoom Up	L: Active, H: Stop	O
32	ZOOM-_EX	Zoom Down	L: Active, H: Stop	O
33	LENS_DOWN_EX	Lens Shift Down	L: Active, H: Stop	O
34	LENS_UP_EX	Lens Shift Up	L: Active, H: Stop	O
35	LENS_BOT	Detection for bottom limit position of lens	L: Bottom end	I
36	LENS_TOP	Detection for top limit position of lens	L: Top end	I
37	POWER_LED	Power LED Dive	L: High, H: Dim	O
38	READY_LED_EX	Ready LED On/Off	L: On, H: Off	O
39	TEMP_LED_EX	Temp LED On/Off	L: On, H: Off	O
40	LAMP_REPLACE_LED_EX	Lamp Replace LED On/Off	L: On, H: Off	O
41	PJ_UPDATE	Write forcibly for PJ-Net	L: Write	O
42	PLLSTB_EX	Reset for CXD3531		O
43	SH_PW_0	Output Signal SH to PW		O
44	W-SW	Wired RC Detection	L: Wire connected	I
45	SH_CHK_DPRAM	INT Clear for PW	L: Not clear	I
46	(Not used)		L fixed	O
47	(Not used)		L fixed	O
48	C_READY			I
49	(Not used)		L fixed	O
50	GND	-	-	-
51	S3.3V	-	-	-
52	RC_CTL_0	Selects Rear RC Receiver	L: Rear Select	O
53	RC_CTL_1	Selects Front RC Receiver	L: Front Select	O
54	FPGA_HZ	FPGA Hi-Z (DRAM Reset)	H after Config.	O
55	SH_BSY	Prohibits DRAM Access at same time	L: Busy	O
56	LAMP_FAN_PF	Power Fail Detection LAMP_FAN	L: Error	I
57	MOU/CPU_SW_EX	Air Mouse Select	L: Active Mouse	O
58	RC_RESET_EX	Air Mouse IC Reset	Reset: H>L>L	O
59	RCIDSW1_EX	RC code Switch	1,2,3=LLL: Code1	O
60	RCIDSW2_EX	RC code Switch	1,2,3=HLL: Code2	
61	RCIDSW3_EX	RC code Switch	1,2,3=HHH: Code8	
62	PJ_ON_EX	Mouse Data Switch	L: PJ Net	O
63	CNT2_ON_EX	Mouse Data Switch	H: PJ Net	O
64	PJ_5V_PF	Power Fail Detection PJ_5V	L: Error	I
65	-5V_AV_PF	Power Fail Detection -5V_AV	L: Error	I
66	S5V_AV_PF	Power Fail Detection S5V	L: Error	I
66	MAIN_5V_PF	Power Fail Detection MAIN_5V	L: Error	I

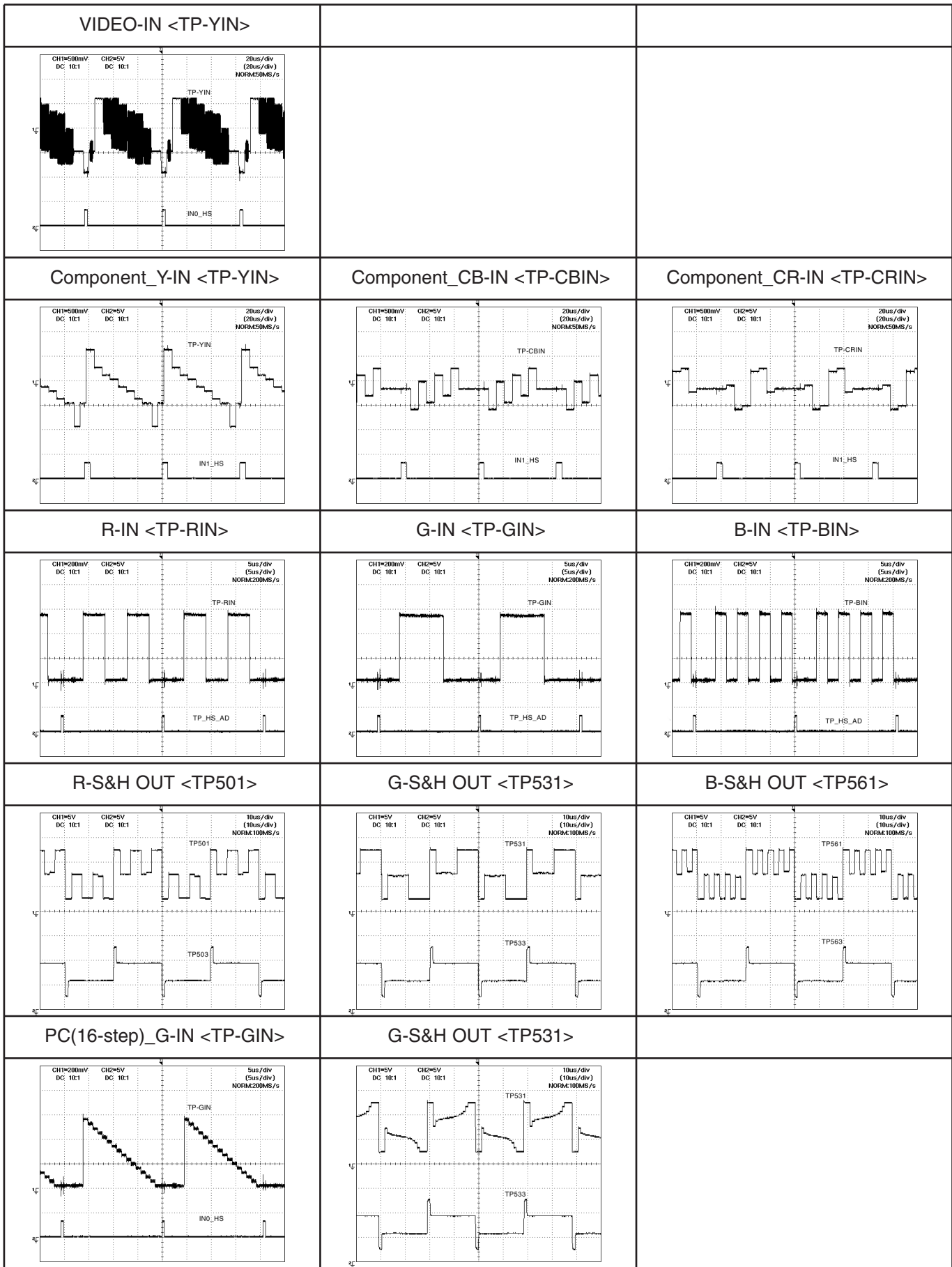
Control Port Functions

Pin No.	Function Name	Function	Polarity	I/O
68	M/A_PF	Power Fail Detection M/A	L: Error	I
69	FAN_PF	Power Fail Detection FAN	L: Error	I
70	SWF_1.2V_PF	Power Fail Detection SWF_1.2V	L: Error	I
71	SWF_2.5.V_PF	Power Fail Detection SWF_2.5V	L: Error	I
72	VDEC_1.8V_PF	Power Fail Detection VDEC_1.8V	L: Error	I
73	FPGA_1.5V_PF	Power Fail Detection FPGA_1.5V	L: Error	I
74	GAM_15.5V_PF	Power Fail Detection GAM_15.5V	L: Error	I
75	S3.3V	-	-	-
76	GND	-	-	-
77	MAIN_6V_PF	Power Fail Detection MAIN_6V	L: Error	I
78	MAIN_3.3V_PF	Power Fail Detection MAIN_3.3V	L: Error	I
79	GND	-	-	-
80	AD_3.3V_PF	Power Fail Detection AD_3.3V	L: Error	I
81	GND	-	-	-
82	AD_5V_PF	Power Fail Detection AD_5V	L: Error	I
83	GAM_1.8V_PF	Power Fail Detection GAM_1.8V	L: Error	I
84	(Not used)		L fixed	O
85	GND	-	-	-
86	(Not used)		L fixed	O
87	S3.3V	-	-	-
88	(Not used)		L fixed	O
89	PJ_SH_UART1	Command for PJ-Net (SH:RXD)		I
90	SH_PJ_UART1	Command for PJ-Net (SH:TXD)		O
91	GND	-	-	-
92	(Not used)		L fixed	O
93	GND	-	-	-
94	(Not used)		L fixed	O
95	IRQ0	Interrupt Output (Level Output)	Active H	O
96	(Not used)		L fixed	O
97	PRODUCT_OPT1	Product Option (2 port)		I
98	PRODUCT_OPT2	Product Option (2 port)		I
99	GND	-	-	-
100	GND	-	-	-

● IIC Bus D/A Converter

IC Ref. No	Pin	I/O	Signal Name	Function	Note
IC281 M62393	4	O	(Not used)		
	5	O	(Not used)		
	6	O	(Not used)		
	7	O	(Not used)		
	12	O	(Not used)		
	13	O	(Not used)		
	14	O	(Not used)		
	15	O	VOLUME		
	16	-	Vcc	Power Supply for Output Buffer	+5V
	18	I	CS2	Slave address setting port_2	(Vdd)
	19	I	CS1	Slave address setting port_1	(Vdd)
	20	I	CS0	Slave address setting port_0	(GND)
IC7801 M62399	4	O	FANCONT1		
	5	O	FANCONT2		
	6	O	FAN_6_DRIVE		
	7	O	(Not used)		
	12	O	FAN_7_CTL		
	13	O	FAN_6_CTL		
	14	O	FAN_5_CTL		
	15	O	FAN_4_CTL		
	16	-	Vcc	Power Supply for Output Buffer	+16V
	18	I	CS2	Slave address setting port_2	(Vdd)
	19	I	CS1	Slave address setting port_1	(Vdd)
	20	I	CS0	Slave address setting port_0	(Vdd)

Waveforms



Cleaning

After long periods of use, dust and other particles will accumulate on the LCD panel, prism, mirror, polarized glass, lens, etc., causing the picture to darken or color to blur. If this occurs, clean the inside of optical unit.

Remove dust and other particles using air spray. If dirt cannot be removed by air spray, disassemble and clean the optical unit.

Cleaning with air spray

1. Remove the cabinet top following to “Mechanical Disassemblies”.
2. Clean up the LCD panel and polarizing plate by using the air spray from the cabinet top opening.

Caution:

Use a commercial (inert gas) air spray designed for cleaning camera and computer equipment. Use a resin-based nozzle only. Be very careful not to damage optical parts with the nozzle tip. Never use any kind of cleanser on the unit. Also, never use abrasive materials on the unit as this may cause irreparable damage.

Disassembly Cleaning

Disassembly cleaning method should only be performed when the unit is considerable dirty and cannot be sufficiently cleaned by air spraying alone.

Be sure to readjust the optical system after performing disassembly cleaning.

1. Remove the cabinet top and main units following to “Mechanical Disassemblies”.
2. Remove the optical base top following to “Optical Unit Disassemblies”. If the LCD panel needs cleaning, remove the LCD panel unit following to “LCD panel replacement”.
3. Clean the optical parts with a soft cloth. Clean extremely dirty areas using a cloth moistened with alcohol.

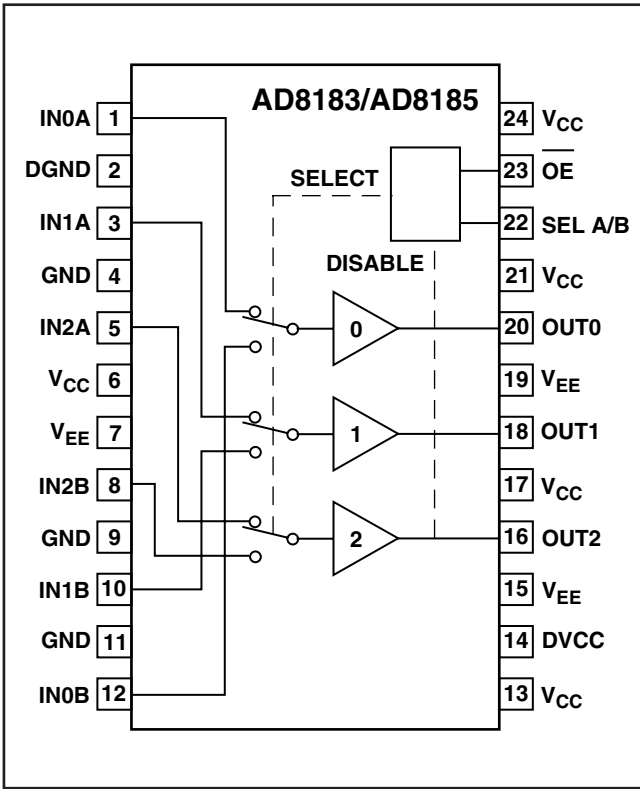
Caution:

The surface of the optical components consists of multiple dielectric layers with varying degrees of refraction. Never use organic solvents (thinner, etc.) or any kind of cleanser on these components.

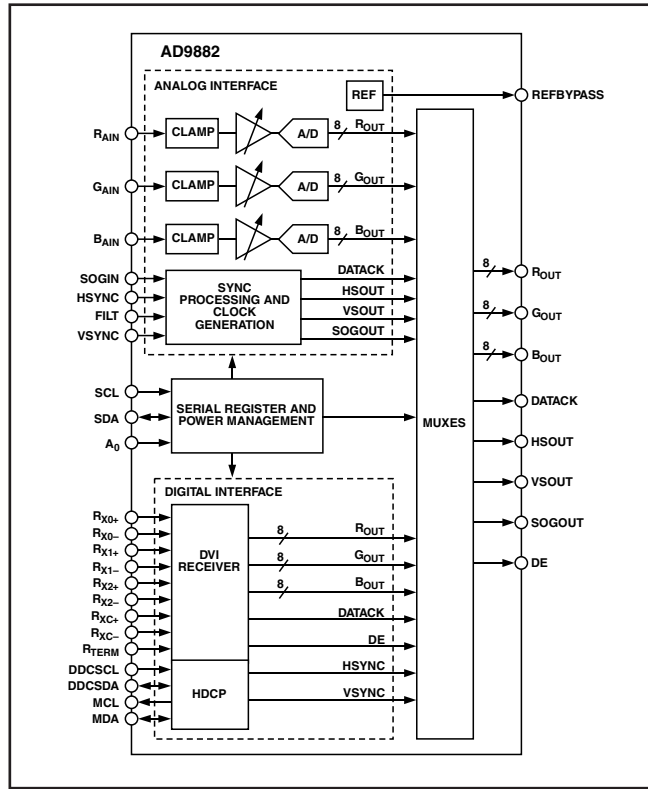
Since the LCD panel is equipped with an electronic circuit, never use any liquids (water, etc.) to clean the unit. Use of liquid may cause the unit to malfunction.

IC Block Diagrams

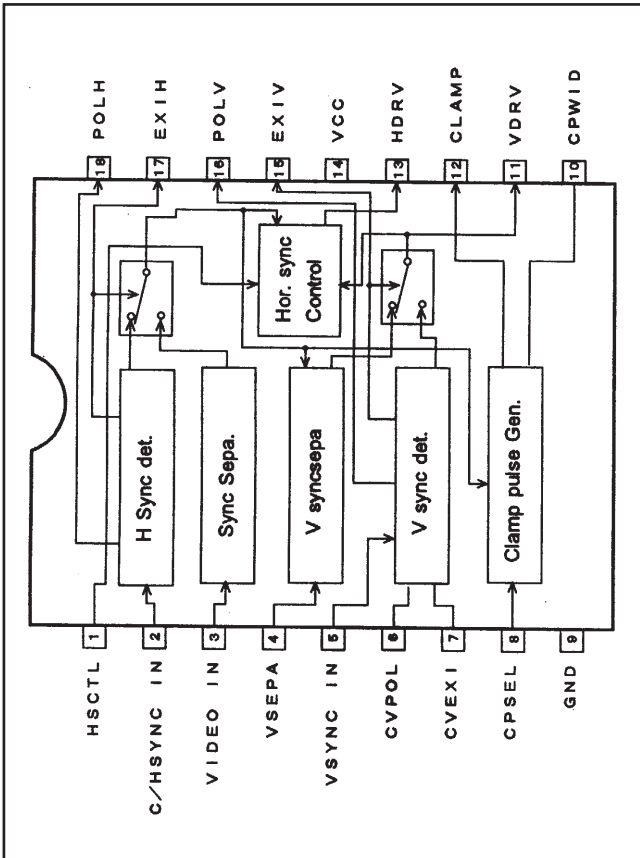
● AD8183ARU/AD8185ARU <Selector, IC201, IC1201>



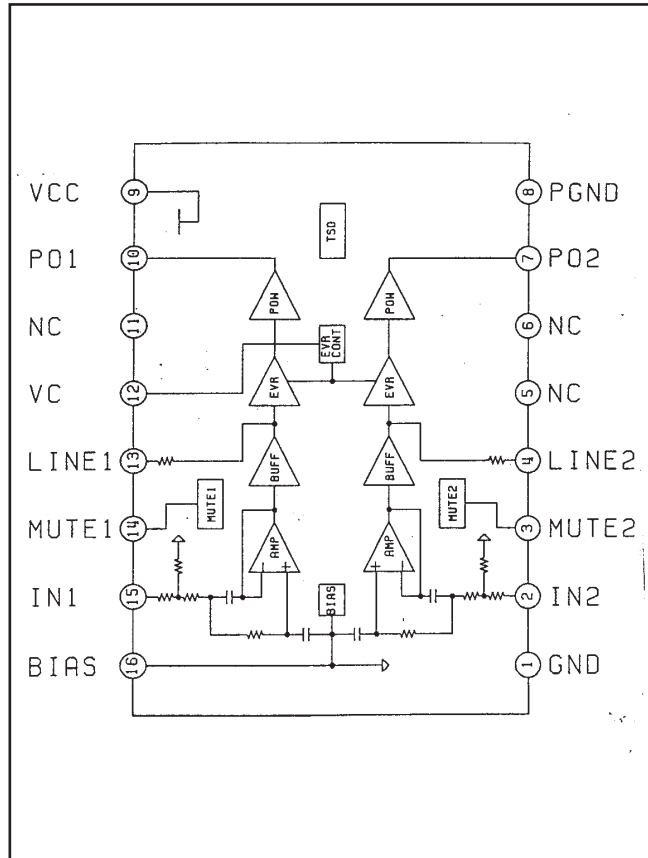
● AD9882 <PC A/D, IC8201>



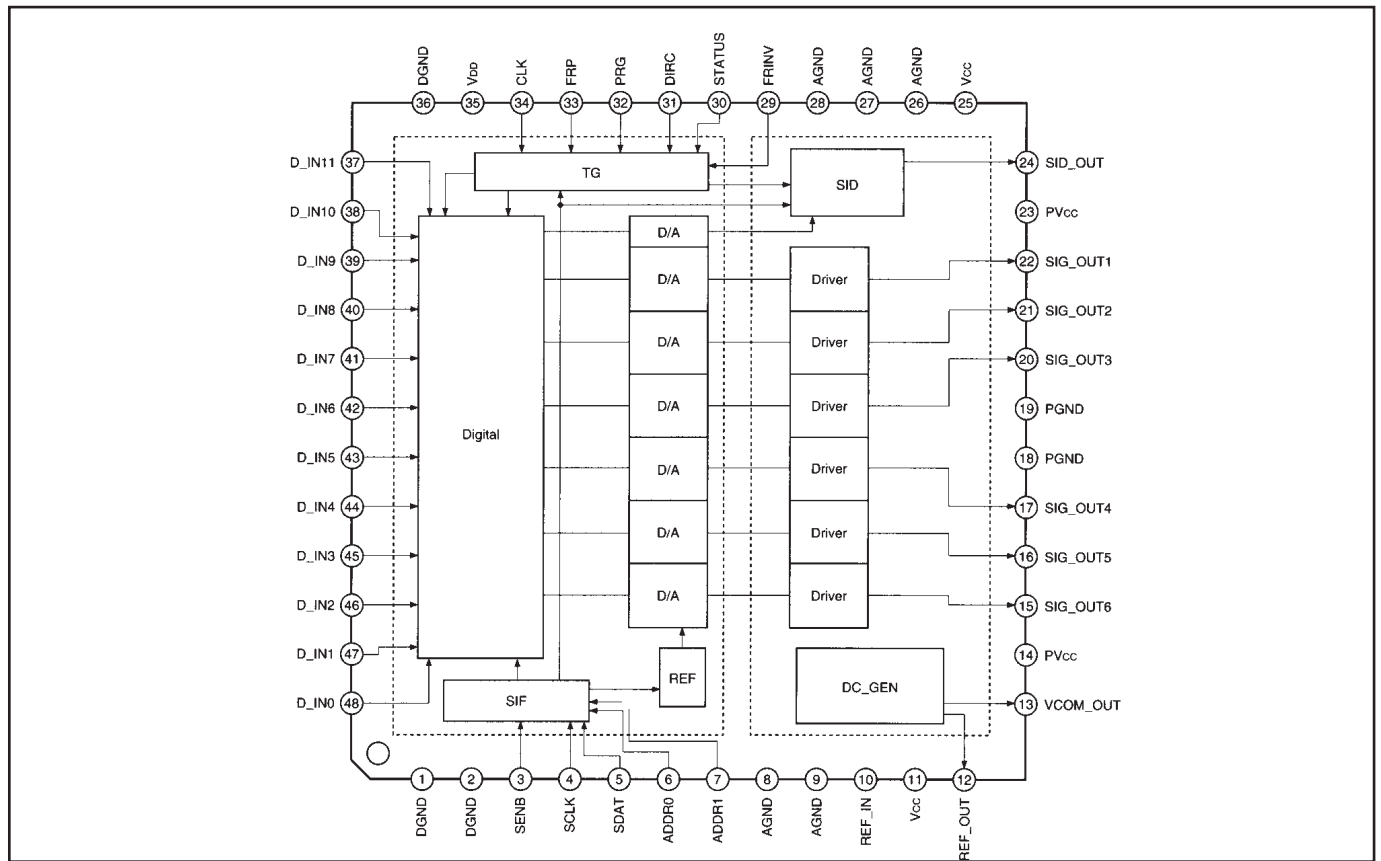
● BA7078AF <Sync Detector, IC3007>



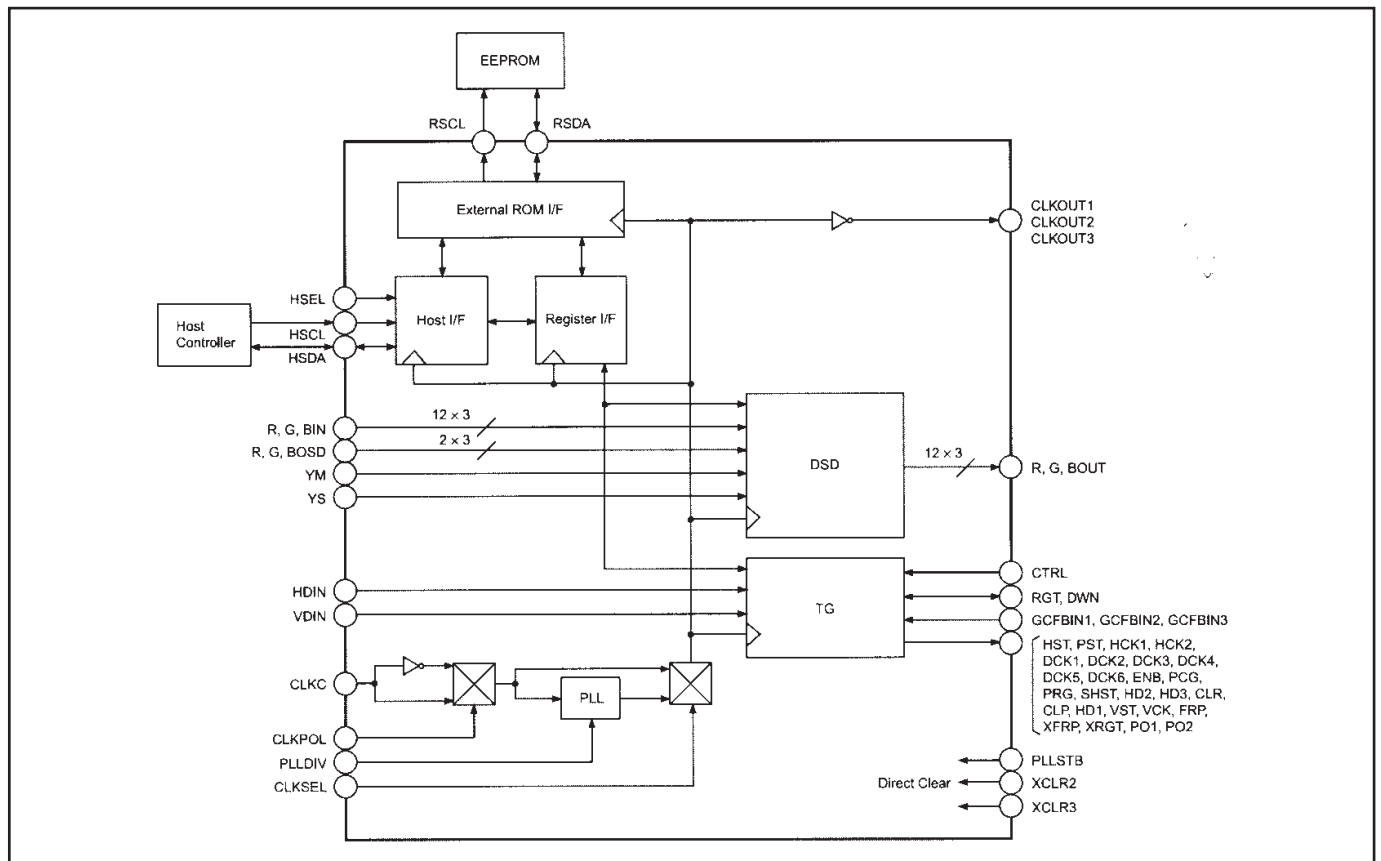
● BH3540 <Volume Control, IC1652>



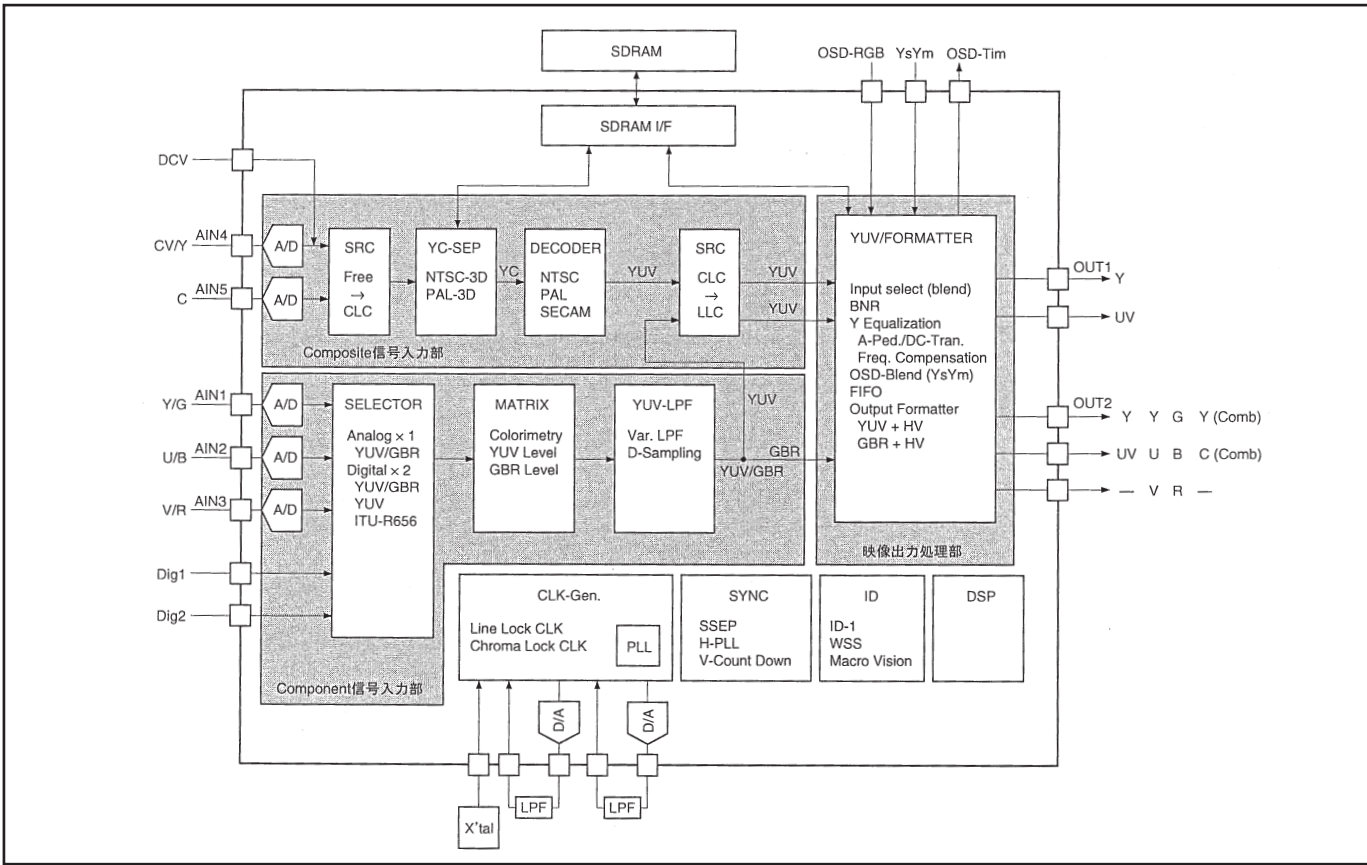
● CXA7004R <LCD Driver, IC501, IC531, IC561, IC1501, IC1531, IC1561>



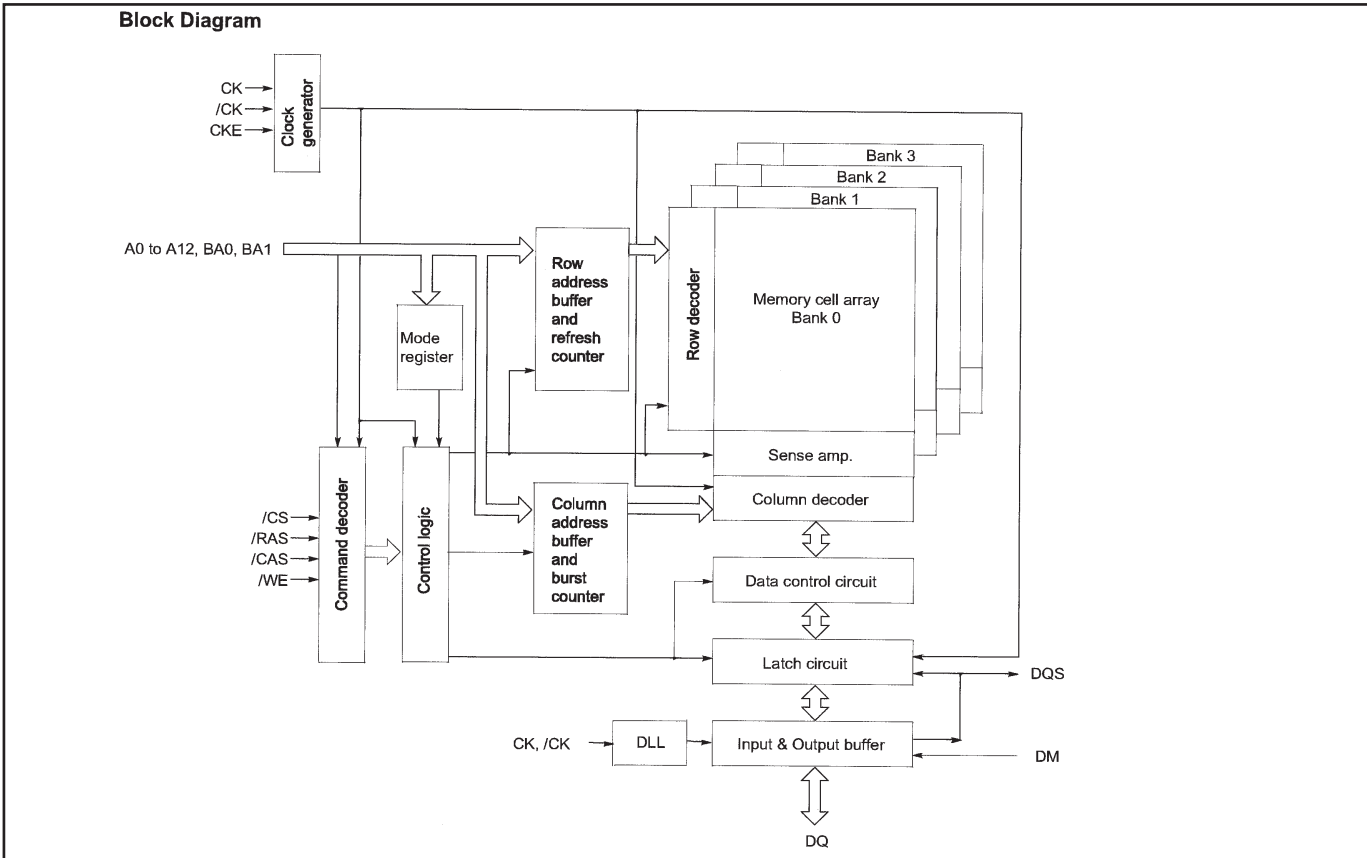
● CXD3531R <Digital Signal Driver & Timing Generator , IC401>



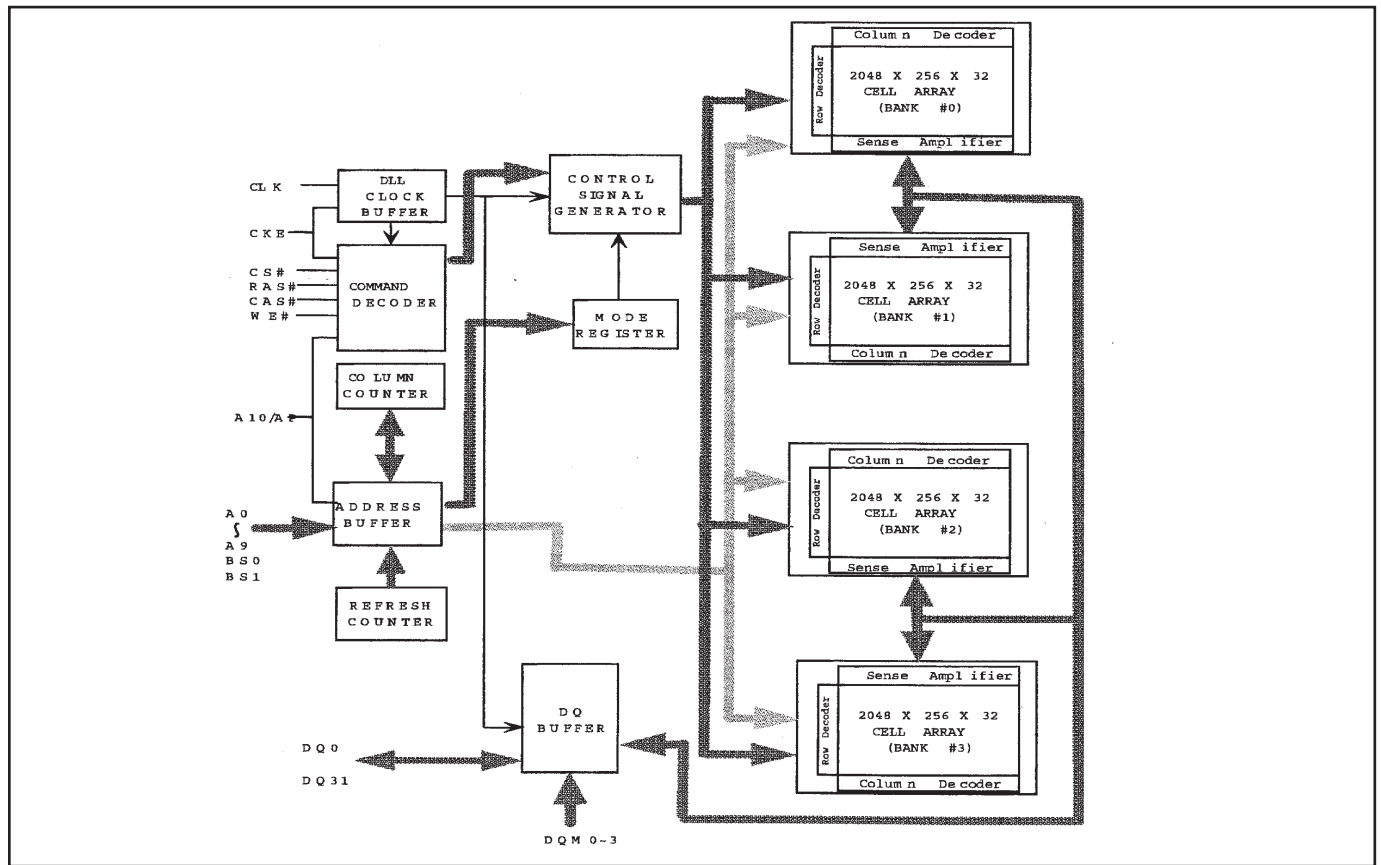
● CXD3807 <AV A/D, IC9201>



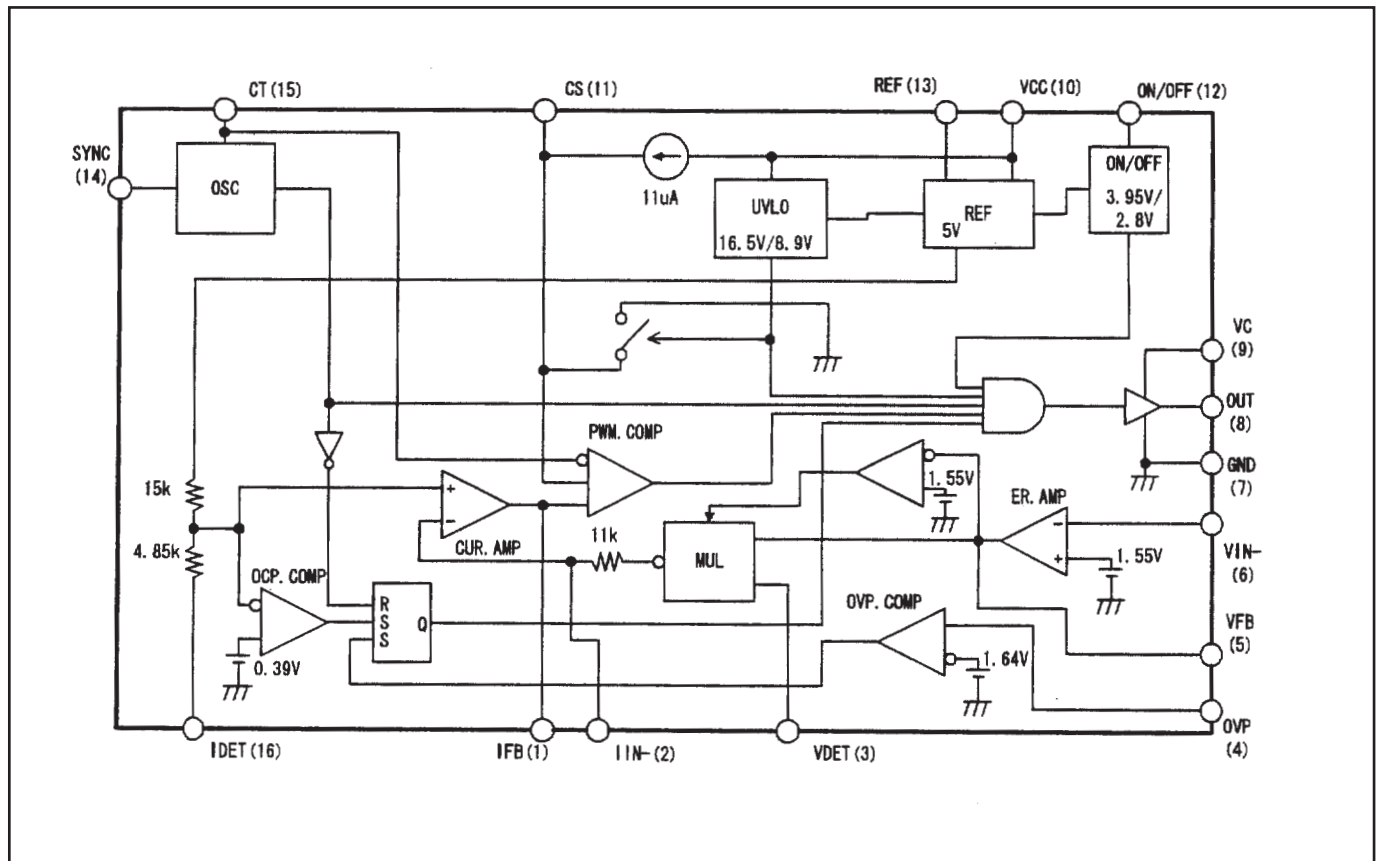
● EDD2516 <DDR Memory, IC1301, IC1311, IC1321, IC1331>



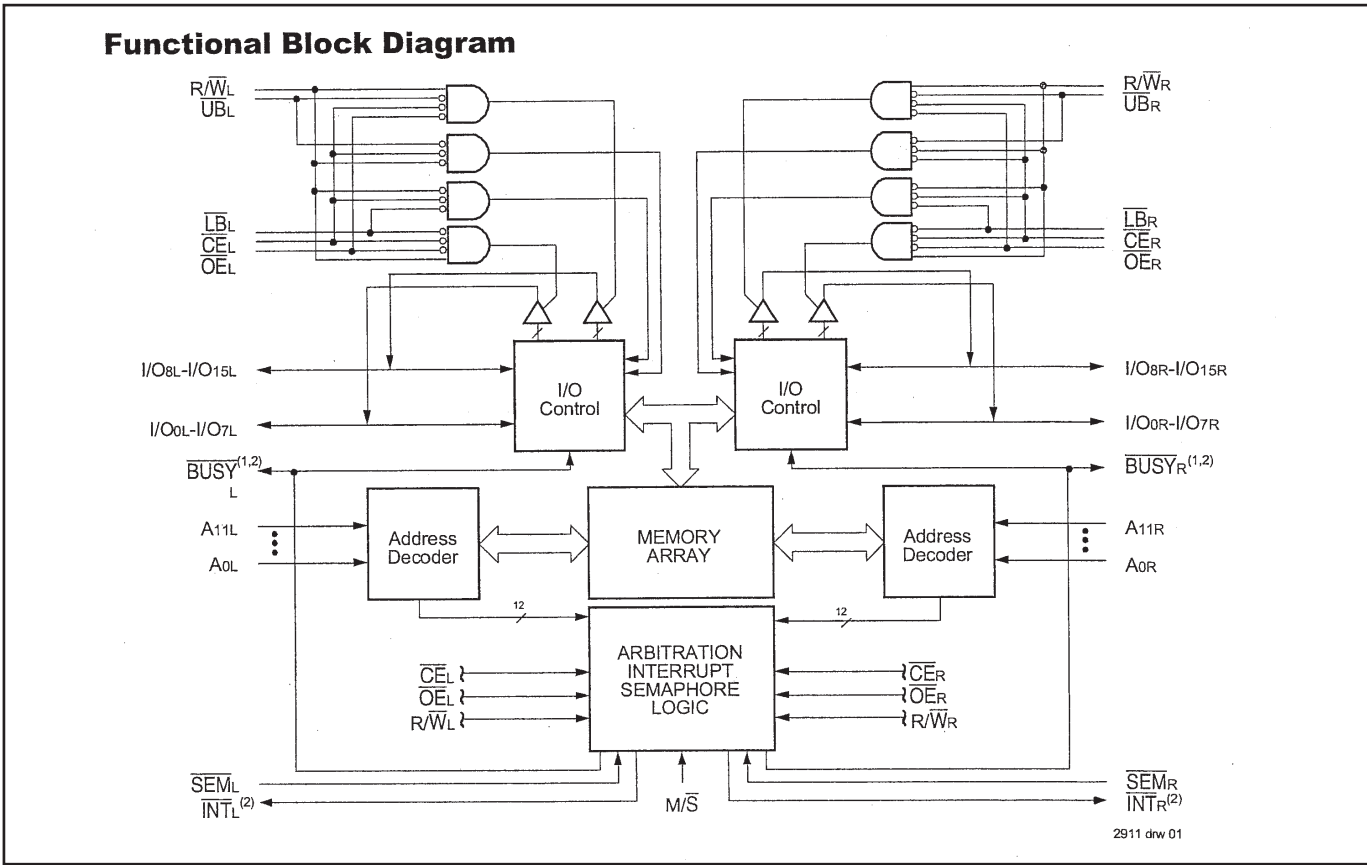
● EM638325TS <DDR Memory, IC1801>



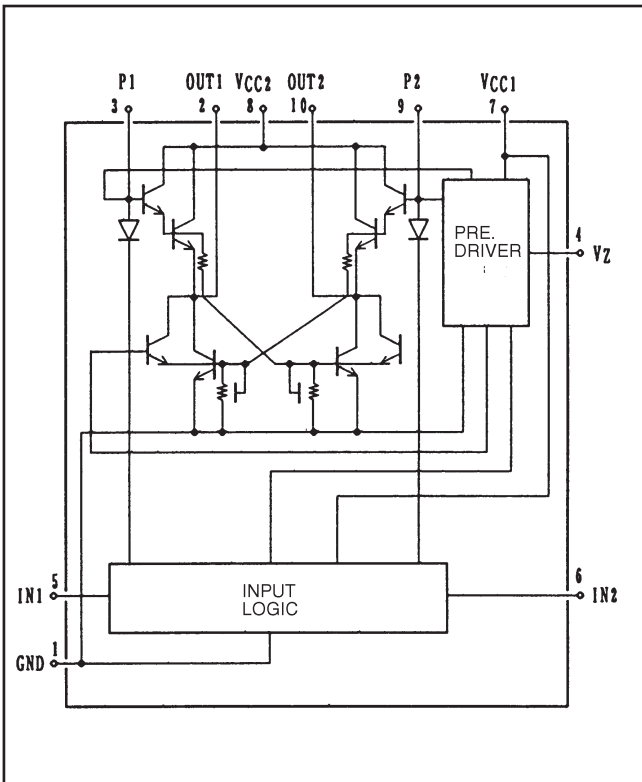
● FA5502M <P. F. Controller, IC601>



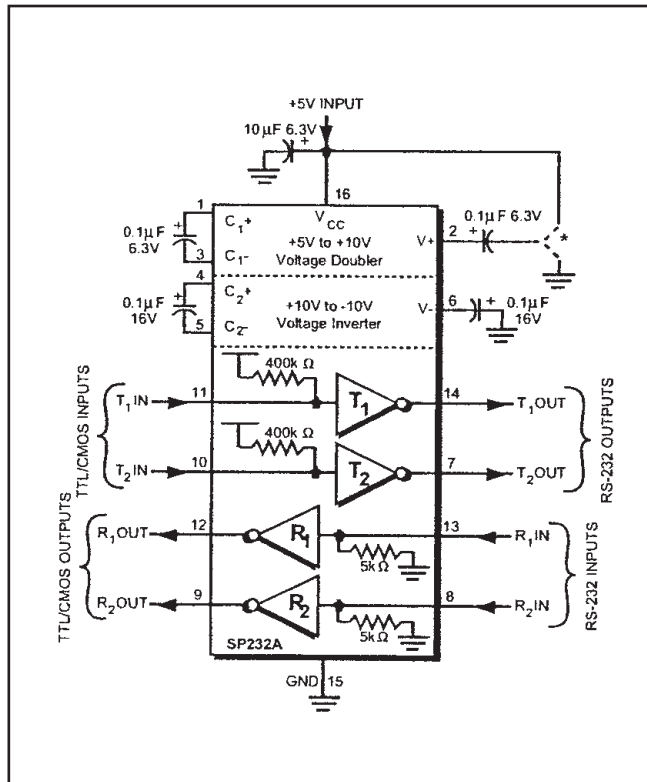
● IDT70V24S15PFG <DP RAM, IC4701>



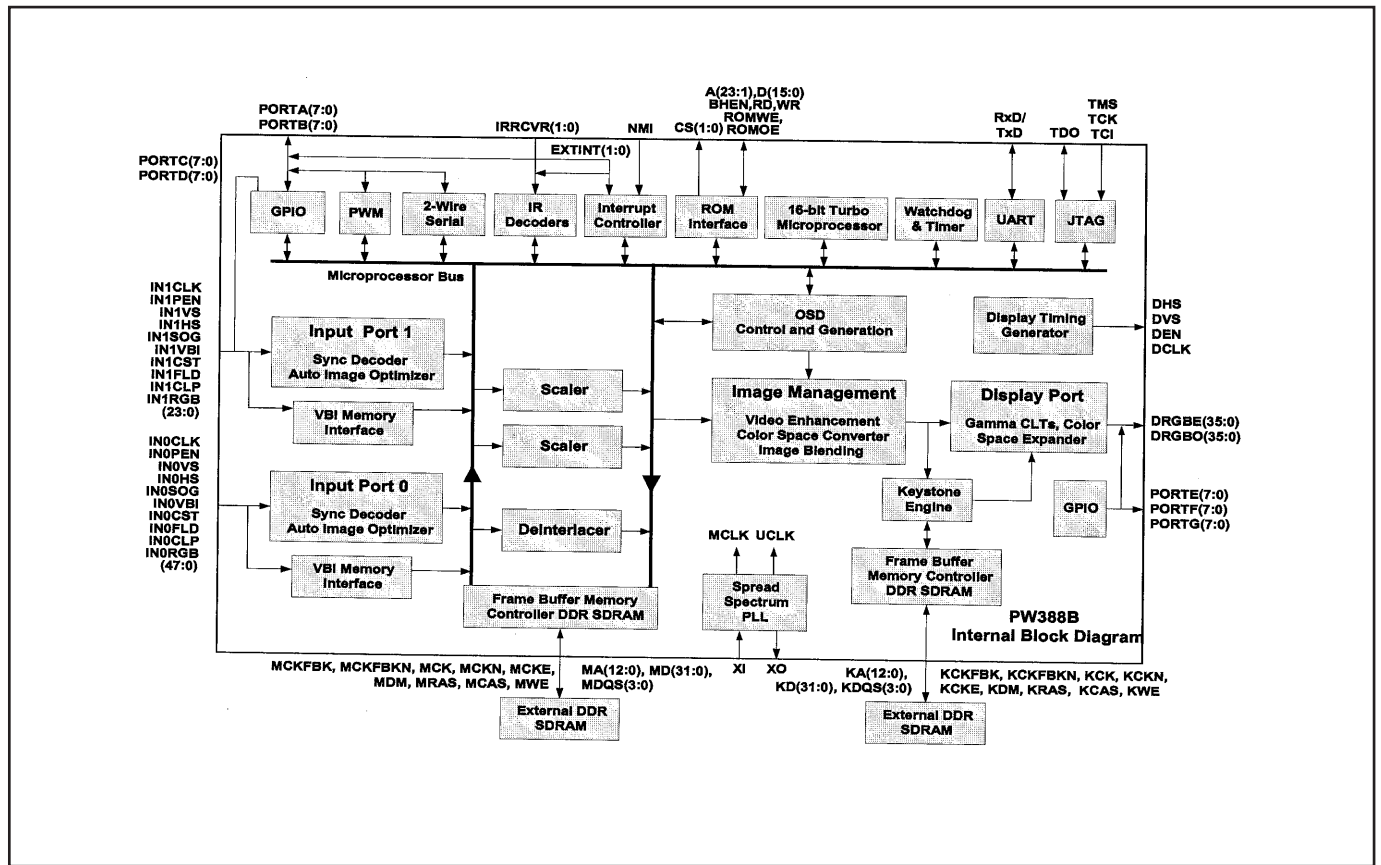
● Motor Drive
LB1641 <IC1602, IC1611>,
LB1645N <IC1601>



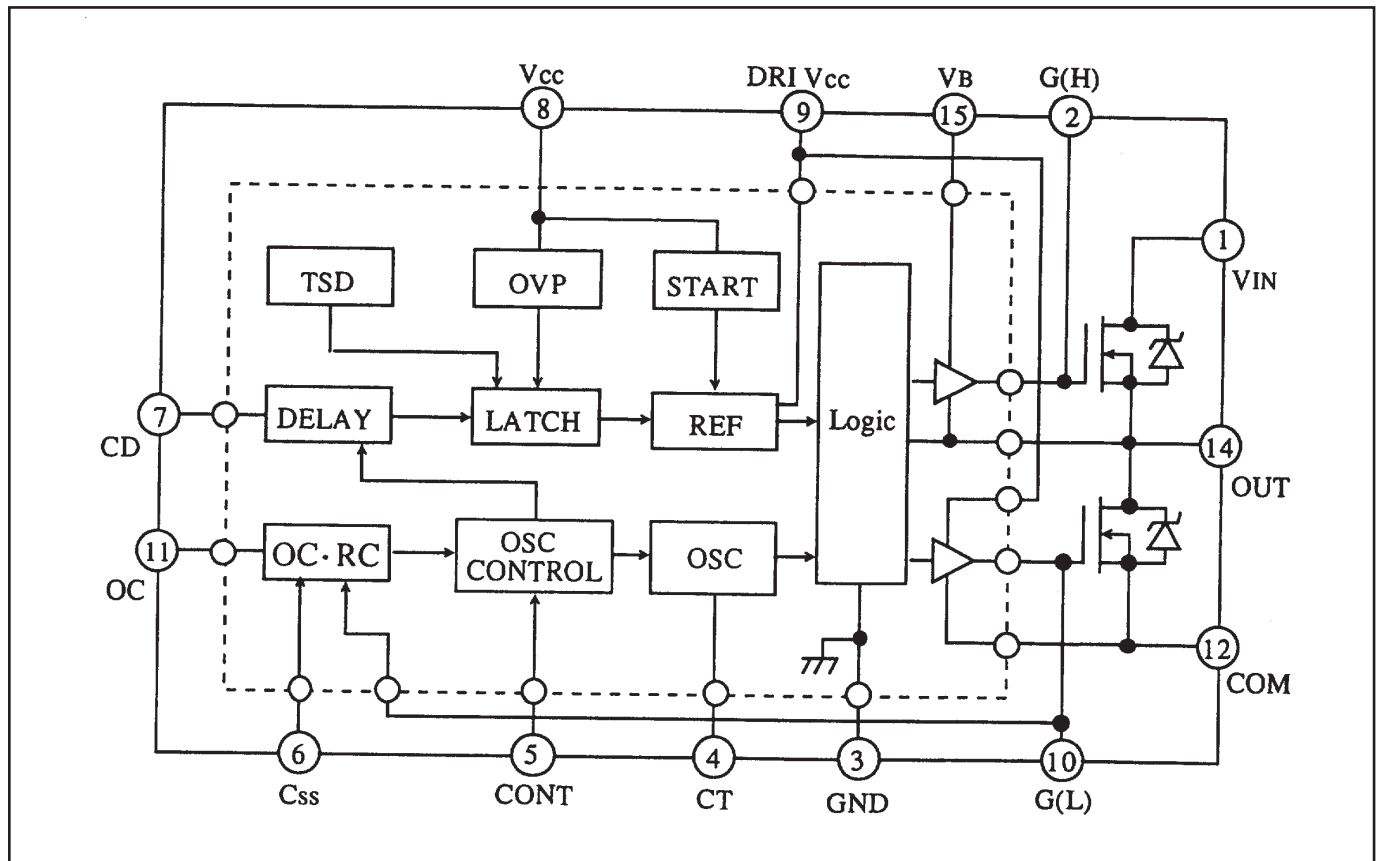
● SP232
<RS-232C Driver, IC3801>



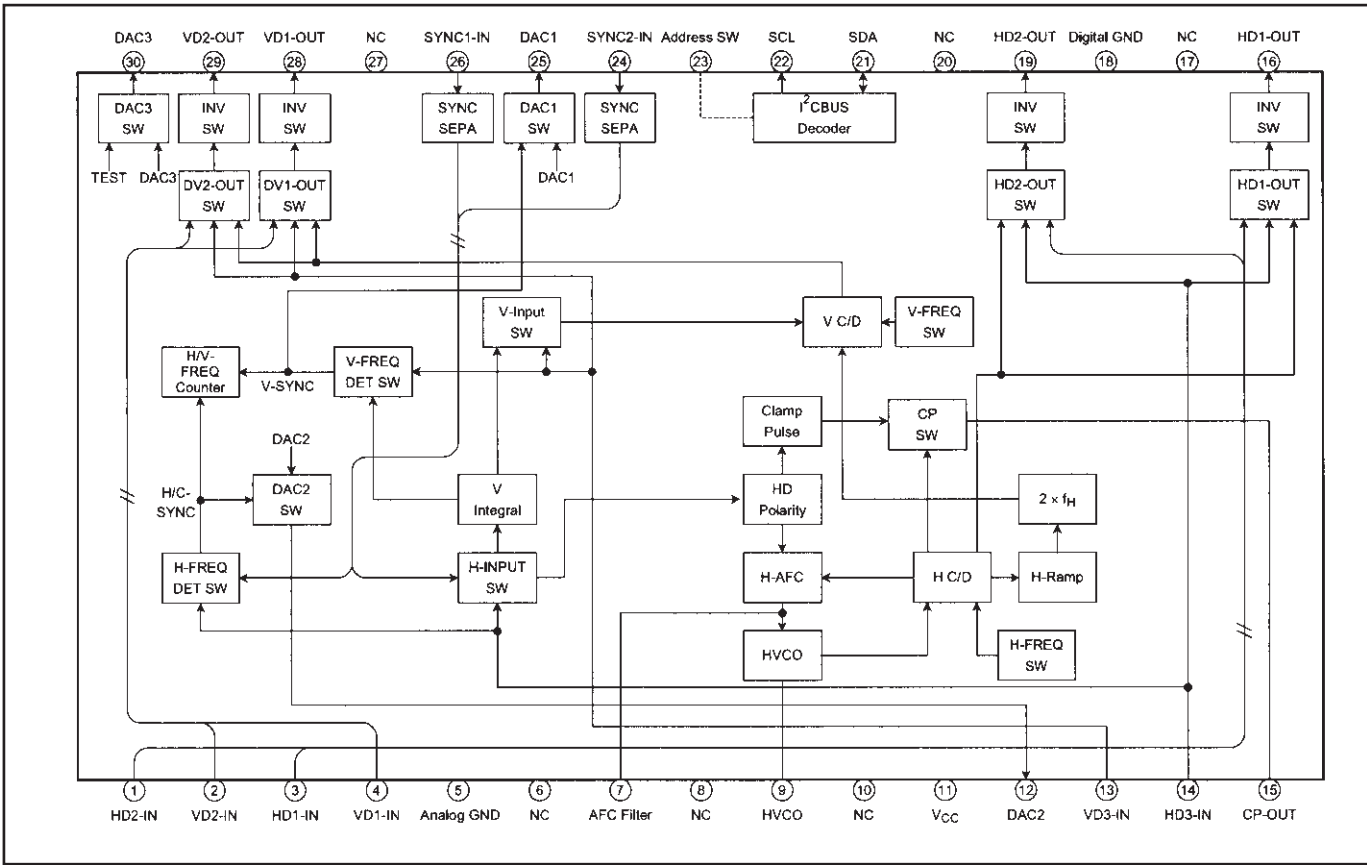
● PW388 <System Control & Scan Converter, IC301>



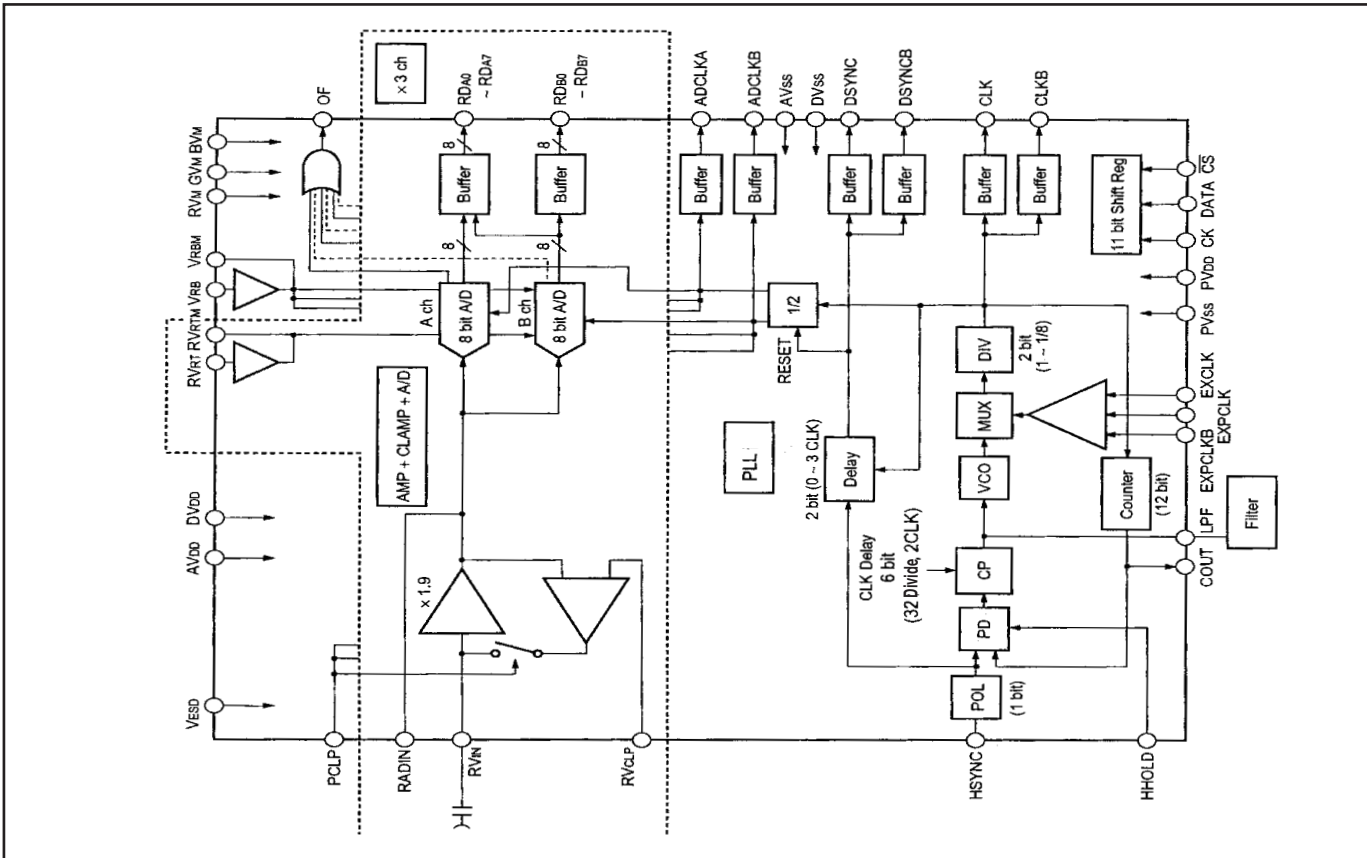
● STR-Z2156A <Power Switching, IC651>



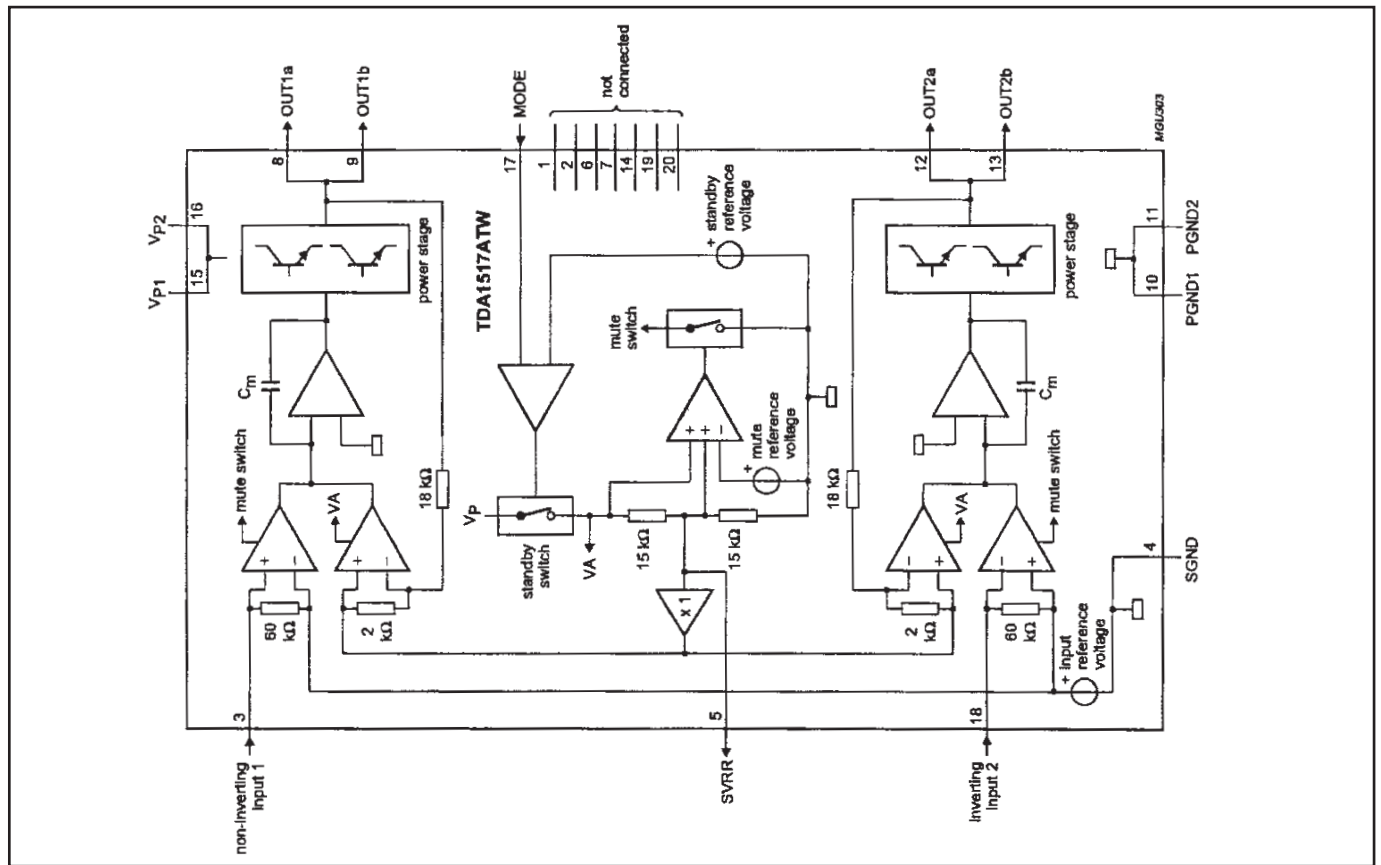
● TA1370FG <Sync Separator, Frequency Counter, IC3231>



● TIC81592 <I/O Expander, IC4801>



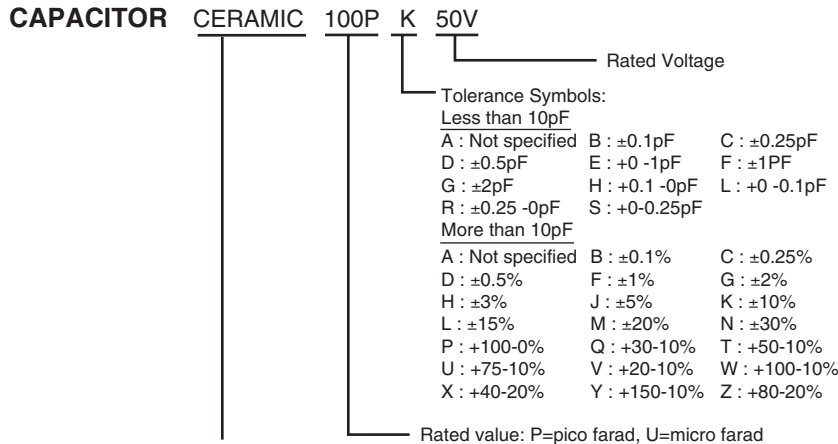
● TDA1517ATW <Audio Output, IC1681, IC1682>



Product safety should be considered when a component replacement is made in any area of a projector. Components indicated by a Δ mark in this parts list and the circuit diagram show components whose value have special significance to product safety. It is particularly recommended that only parts specified on the following parts list be used for components replacement pointed out by the mark.

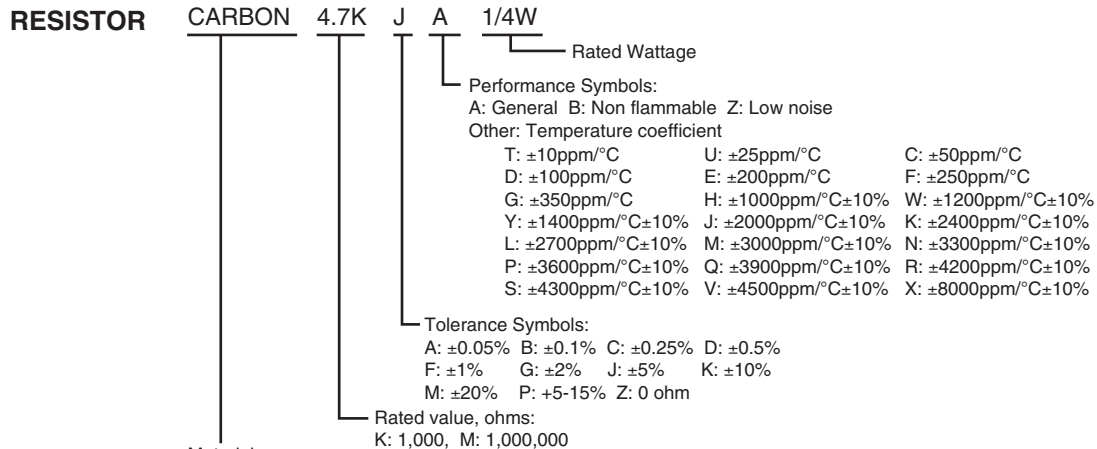
● Read Description in the parts list

Read description in the Capacitor and Resistor as follows:



Material:

- CERAMIC..... Ceramic
- MT-PAPER..... Metallized Paper
- POLYESTER..... Polyester
- MT-POLYEST.....Metallized Polyester
- POLYPRO..... Polypropylene
- MT-POLYPRO.....Metallized Polypropylene
- COMPO FILM.....Composite film
- MT-COMPO.....Metallized Composite
- STYRENE.....Styrene
- TA-SOLID..... Tantalum Oxide Solid Electrolytic
- AL-SOLID..... Aluminium Solid Electrolytic
- ELECT.....Aluminum Foil Electrolytic
- NP-ELECT.....Non-polarised Electrolytic
- OS-SOLID..... Aluminium Solid with Organic Semiconductive Electrolytic
- POS-SOLID..... Polymerized Organic Semiconductive
- DL-ELECT..... Double Layered Electrolytic
- PPS-FILM.....Polyphenylene Sulfide Film
- MT-PPS-FILM.....Metalized Polyphenylene Sulfide Film
- MT-PEN-FILM.....Metalized Polyethylenenaphthalate Film
- CAPACITOR.....Other

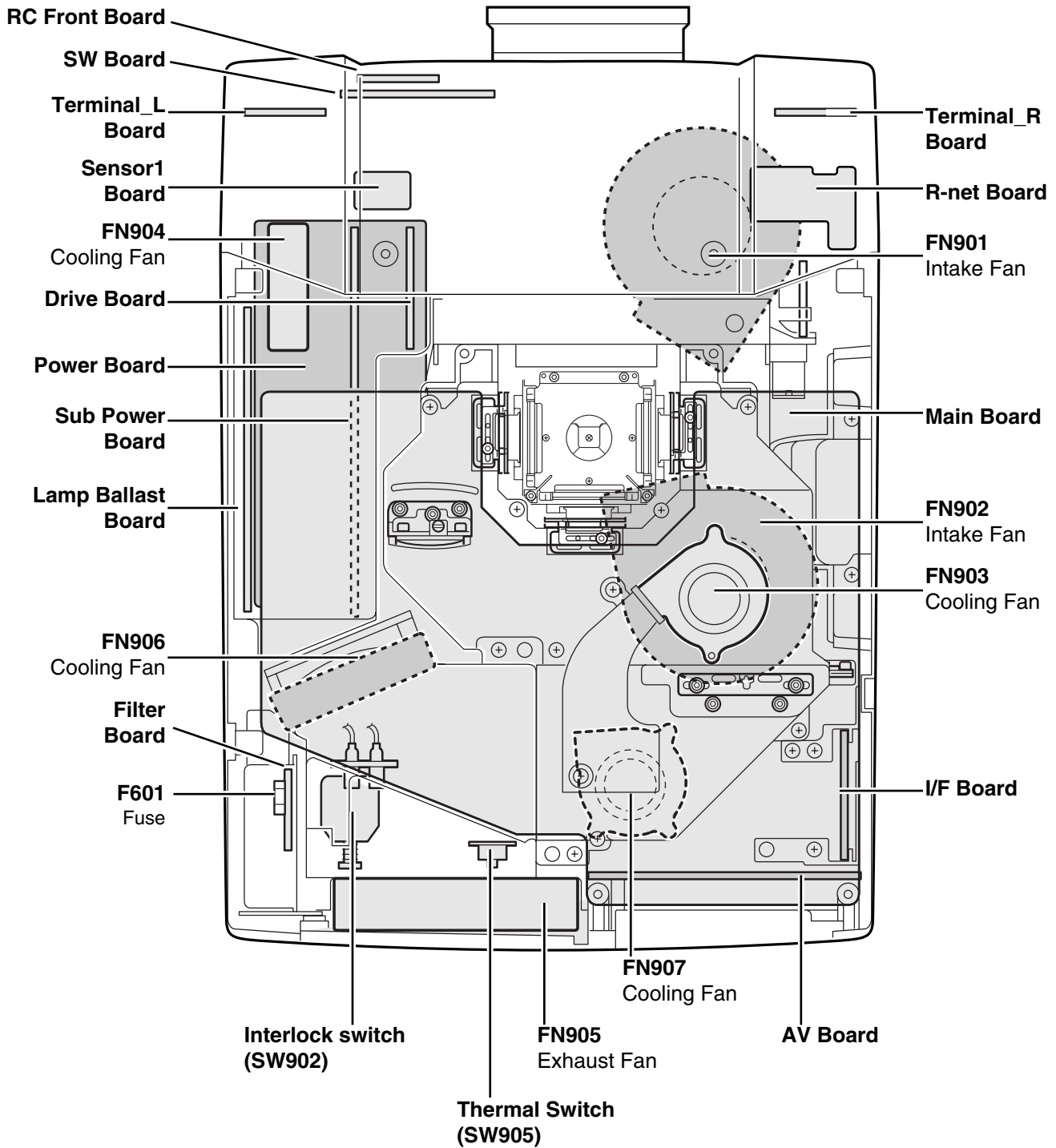


Material:

- CARBON..... Carbon
- MT-FILM..... Metal Film
- OXIDE-MT..... Oxide Metal Film
- SOLID..... Composition
- MT-GLAZE..... Metal Glaze
- WIRE WOUND... Wire Wound
- CERAMIC RES... Ceramic
- FUSIBLE RES... Fusible
- RESISTOR Other

Note: Parts order must contain Chassis No., Part No., and Descriptions.

● OUT OF CIRCUIT BOARD



Key No.	Part No.	Description	Key No.	Part No.	Description
ASSEMBLED BOARDS					
△610 307 7772	ASSY,PWB,CONT. MR3B		D6871	407 223 0511	ZENER DIODE 02DZ12Y (TPH3)
△610 307 7789	ASSY,PWB,SENSOR MR3B		D6872	407 223 0511	ZENER DIODE 02DZ12Y (TPH3)
△610 307 7796	ASSY,PWB,RC FRONT MR3B		D6881	407 223 0511	ZENER DIODE 02DZ12Y (TPH3)
△610 307 7802	ASSY,PWB,SW MR3B		D6891	407 223 0511	ZENER DIODE 02DZ12Y (TPH3)
△610 307 7819	ASSY,PWB,TERMINAL1 MR3B		D6892	407 203 7813	LED SML-210LT T86 M
△610 307 7826	ASSY,PWB,TERMINAL2 MR3B		D6893	407 203 7912	LED SML-210MT T86 M
△610 310 6588	ASSY,PWB,R-NET MR3B		D6894	407 203 7813	LED SML-210LT T86 M
△610 328 7386	ASSY,PWB,MAIN KE6B		D6895	407 203 7714	LED SML-210DT T86 L
△610 328 3036	ASSY,PWB,A/V KE6A		MISCELLANEOUS		
△610 328 3043	ASSY,PWB I/F KE6A		SW6871	645 026 2791	SWITCH,PUSH 1P-1TX1
△610 328 8383	ASSY,PWB,POWER KE6B		SW6872	645 026 2791	SWITCH,PUSH 1P-1TX1
△610 328 8413	ASSY,PWB,SUB POWER KE6B		SW6873	645 026 2791	SWITCH,PUSH 1P-1TX1
△610 328 8437	ASSY,PWB,DRIVE KE6B		SW6874	645 026 2791	SWITCH,PUSH 1P-1TX1
△610 328 8512	ASSY,PWB,FILTER KE6B		SW6875	645 026 2791	SWITCH,PUSH 1P-1TX1
OUT OF CIRCUIT BOARDS			SW6876	645 026 2791	SWITCH,PUSH 1P-1TX1
L901	645 003 3834	CORE,FERRITE	SW6877	645 026 2791	SWITCH,PUSH 1P-1TX1
L902	645 003 3834	CORE,FERRITE	SW6878	645 026 2791	SWITCH,PUSH 1P-1TX1
L903	645 003 3834	CORE,FERRITE	SW6887	645 026 2791	SWITCH,PUSH 1P-1TX1
△LF901	645 042 4489	UNIT,NOISE FILTER	SW6888	645 026 2791	SWITCH,PUSH 1P-1TX1
△LP900	610 328 7362	COMPL,OPTICAL LMP OSM300-KE	SW6891	645 026 2791	SWITCH,PUSH 1P-1TX1
△A901	645 085 8277	UNIT,BALLAST	SW6892	645 026 2791	SWITCH,PUSH 1P-1TX1
△FN901	645 086 0003	MOTOR,BLW DC 10.8W	SW6897	645 026 2791	SWITCH,PUSH 1P-1TX1
	645 089 4558	MOTOR,BLW DC 10.8W	SW6898	645 026 2791	SWITCH,PUSH 1P-1TX1
△FN902	645 086 0003	MOTOR,BLW DC 10.8W	SW6899	645 026 2791	SWITCH,PUSH 1P-1TX1
	645 089 4558	MOTOR,BLW DC 10.8W	SENSOR BOARD		
△FN903	645 053 7523	MOTOR,FAN DC 1.68W	610 307 7789 ASSY,PWB,SENSOR MR3B		
△FN904	645 053 7523	MOTOR,FAN DC 1.68W	INTEGRATED CIRCUIT		
△FN905	645 086 4551	MOTOR,FAN DC 2.52W	IC1691	409 481 8612	IC LM76CHMX-5
△FN906	645 048 4001	MOTOR,FAN DC 2.4W	CAPACITOR		
△FN907	645 061 4903	MOTOR,FAN DC 2.04W	C1691	403 281 5215	CERAMIC 0.22U Z 16V
SP901	652 001 3339	SPEAKER,8	C1692	403 155 1619	CERAMIC 33P J 50V
SP902	652 001 3339	SPEAKER,8	C1693	403 155 1619	CERAMIC 33P J 50V
△SW902	645 076 8156	SWITCH,PUSH 2P-2TX2	RESISTOR		
△SW905	645 050 3580	SWITCH,THERMAL(90DEG)	R1691	401 105 0415	MT-GLAZE 100 JA 1/16W
W16I&8X	610 296 5476	CORD SHIELD 6P 1.5MM	R1692	401 105 0316	MT-GLAZE 10 JA 1/16W
WK20A	645 039 9374	PLUG,RELAY 4P	R1693	401 105 0316	MT-GLAZE 10 JA 1/16W
WLP&A901	610 328 6020	CABLE,BALLAST KE6A	RC FRONT BOARD		
CONTROL BOARD			610 307 7796 ASSY,PWB,RC FRONT MR3B		
610 307 7772 ASSY,PWB,CONT. MR3B			CAPACITOR		
CAPACITOR			C2811	403 283 6319	CERAMIC 1U Z 10V
C6871	403 164 0214	CERAMIC 0.1U Z 25V	C2812	403 157 6216	CERAMIC 220P K 50V
C6881	403 164 0214	CERAMIC 0.1U Z 25V	C2813	403 392 1212	ELECT 47U M 6.3V
C6891	403 164 0214	CERAMIC 0.1U Z 25V	RESISTOR		
C6892	403 164 0214	CERAMIC 0.1U Z 25V	R2811	401 105 0415	MT-GLAZE 100 JA 1/16W
RESISTOR			R2813	401 105 7919	MT-GLAZE 0.000 ZA 1/16W
R6871	401 105 2914	MT-GLAZE 22K JA 1/16W	DIODE		
R6872	401 105 1610	MT-GLAZE 15K JA 1/16W	D2813	407 225 0212	DIODE RB751S-40
R6873	401 105 6011	MT-GLAZE 5.6K JA 1/16W	MISCELLANEOUS		
R6874	401 105 5311	MT-GLAZE 4.7K JA 1/16W	AU2811	645 064 5914	UNIT,REMOCON RECEIVER
R6875	401 105 3317	MT-GLAZE 2.7K JA 1/16W	SW BOARD		
R6876	401 105 4116	MT-GLAZE 3.3K JA 1/16W	610 307 7802 ASSY,PWB,SW MR3B		
R6878	401 105 5212	MT-GLAZE 470 JA 1/16W	TRANSISTOR		
R6887	401 105 1511	MT-GLAZE 1.5K JA 1/16W	Q1681	405 014 4519	TR 2SC2412K T146 R
R6888	401 105 5212	MT-GLAZE 470 JA 1/16W		405 014 4618	TR 2SC2412K T146 S
R6891	401 105 2914	MT-GLAZE 22K JA 1/16W		405 015 8724	TR 2SC2812-L6-TB
R6892	401 105 1610	MT-GLAZE 15K JA 1/16W		405 015 8922	TR 2SC2812-L7-TB
R6893	401 105 7919	MT-GLAZE 0.000 ZA 1/16W		405 163 1612	TR 2SC2812N-L6-TB0
R6894	401 105 7919	MT-GLAZE 0.000 ZA 1/16W		405 163 1711	TR 2SC2812N-L7-TB0
R6895	401 105 7919	MT-GLAZE 0.000 ZA 1/16W	Q1683	405 014 4519	TR 2SC2412K T146 R
R6896	401 105 7919	MT-GLAZE 0.000 ZA 1/16W		405 014 4618	TR 2SC2412K T146 S
R6897	401 105 1511	MT-GLAZE 1.5K JA 1/16W		405 015 8724	TR 2SC2812-L6-TB
R6898	401 105 5212	MT-GLAZE 470 JA 1/16W		405 015 8922	TR 2SC2812-L7-TB
R6899	401 105 1610	MT-GLAZE 15K JA 1/16W		405 163 1612	TR 2SC2812N-L6-TB0
DIODE				405 163 1711	TR 2SC2812N-L7-TB0
			INTEGRATED CIRCUIT		
			IC1681	410 445 4400	IC TDA1517ATW/N1
			IC1682	410 445 4400	IC TDA1517ATW/N1
			CAPACITOR		

Electrical Parts List

Key No.	Part No.	Description	Key No.	Part No.	Description
C1681	403 281 5215	CERAMIC 0.22U Z 16V		405 014 4618	TR 2SC2412K T146 S
C1682	403 376 3119	ELECT 100U M 25V		405 015 8724	TR 2SC2812-L6-TB
C1683	403 281 5215	CERAMIC 0.22U Z 16V		405 015 8922	TR 2SC2812-L7-TB
C1684	403 393 0016	ELECT 470U M 25V		405 163 1612	TR 2SC2812N-L6-TB0
C1685	403 393 0016	ELECT 470U M 25V	Q2203	405 134 5925	TR 2SA1037AK-T146-R
C1701	403 376 3119	ELECT 100U M 25V		405 147 2215	TR 2SA1037AK-S-T146
C1702	403 281 5215	CERAMIC 0.22U Z 16V		405 002 0318	TR 2SA1037K T146 R
C1703	403 281 5215	CERAMIC 0.22U Z 16V		405 002 0417	TR 2SA1037K T146 S
RESISTOR				405 002 6726	TR 2SA1179-M6-TB
R1664	401 105 0613	MT-GLAZE 10K JA 1/16W		405 002 6924	TR 2SA1179-M7-TB
R1665	401 190 1717	MT-GLAZE 0.000 ZA 1W		405 163 1513	TR 2SA1179N-M6-TB
R1676	401 105 0613	MT-GLAZE 10K JA 1/16W	Q2204	405 134 5925	TR 2SA1037AK-T146-R
R1678	401 113 6416	MT-GLAZE 5.1K JA 1/16W		405 147 2215	TR 2SA1037AK-S-T146
R1679	401 113 6416	MT-GLAZE 5.1K JA 1/16W		405 002 0318	TR 2SA1037K T146 R
R1681	401 190 1717	MT-GLAZE 0.000 ZA 1W		405 002 0417	TR 2SA1037K T146 S
R1684	401 105 0613	MT-GLAZE 10K JA 1/16W		405 002 6726	TR 2SA1179-M6-TB
R1688	401 105 0613	MT-GLAZE 10K JA 1/16W		405 002 6924	TR 2SA1179-M7-TB
R1689	401 105 7919	MT-GLAZE 0.000 ZA 1/16W		405 163 1513	TR 2SA1179N-M6-TB
R1690	401 105 7919	MT-GLAZE 0.000 ZA 1/16W	Q2206	405 014 4519	TR 2SC2412K T146 R
COIL				405 014 4618	TR 2SC2412K T146 S
L1681	645 080 6827	INDUCTOR, 3.3U M		405 015 8724	TR 2SC2812-L6-TB
L1682	645 080 6827	INDUCTOR, 3.3U M		405 015 8922	TR 2SC2812-L7-TB
L1683	645 080 6827	INDUCTOR, 3.3U M	Q2207	405 163 1612	TR 2SC2812N-L6-TB0
L1684	645 080 6827	INDUCTOR, 3.3U M		405 014 4519	TR 2SC2412K T146 R
L1686	645 080 6827	INDUCTOR, 3.3U M		405 014 4618	TR 2SC2412K T146 S
L1687	645 080 6827	INDUCTOR, 3.3U M		405 015 8724	TR 2SC2812-L6-TB
L1688	645 080 6827	INDUCTOR, 3.3U M		405 015 8922	TR 2SC2812-L7-TB
L1689	645 080 6827	INDUCTOR, 3.3U M	Q2208	405 163 1612	TR 2SC2812N-L6-TB0
MISCELLANEOUS				405 134 5925	TR 2SA1037AK-T146-R
SC1691	645 076 3502	SURGE-ABSORBER		405 147 2215	TR 2SA1037AK-S-T146
SC1692	645 076 3502	SURGE-ABSORBER		405 002 0318	TR 2SA1037K T146 R
SC1693	645 076 3502	SURGE-ABSORBER		405 002 0417	TR 2SA1037K T146 S
SC1694	645 076 3502	SURGE-ABSORBER		405 002 6726	TR 2SA1179-M6-TB
SW2001	610 011 2575	SLIDE SWITCH		405 002 6924	TR 2SA1179-M7-TB
TERMINAL1 BOARD				405 163 1513	TR 2SA1179N-M6-TB
610 307 7819 ASSY,PWB,TERMINAL1 MR3B			Q2209	405 134 5925	TR 2SA1037AK-T146-R
K2001	610 227 3793	SPEAKER TERMINAL		405 147 2215	TR 2SA1037AK-S-T146
TERMINAL2 BOARD				405 002 0318	TR 2SA1037K T146 R
610 307 7826 ASSY,PWB,TERMINAL2 MR3B				405 002 0417	TR 2SA1037K T146 S
K2002	610 227 3793	SPEAKER TERMINAL		405 002 6726	TR 2SA1179-M6-TB
R-NET BOARD				405 002 6924	TR 2SA1179-M7-TB
610 310 6588 ASSY,PWB,R-NET MR3B			Q241	405 163 1513	TR 2SA1179N-M6-TB
RESISTOR				405 014 4519	TR 2SC2412K T146 R
R1660	401 066 4019	OXIDE-MT 2.7 JA 2W		405 014 4618	TR 2SC2412K T146 S
R1661	401 066 4019	OXIDE-MT 2.7 JA 2W	Q243	405 015 8724	TR 2SC2812-L6-TB
R1662	401 064 4813	OXIDE-MT 1.2 JA 2W		405 015 8922	TR 2SC2812-L7-TB
R1663	401 067 2816	OXIDE-MT 3.3 JA 2W		405 163 1612	TR 2SC2812N-L6-TB0
R1694	401 066 4019	OXIDE-MT 2.7 JA 2W		405 014 4519	TR 2SC2412K T146 R
R1695	401 066 4019	OXIDE-MT 2.7 JA 2W		405 014 4618	TR 2SC2412K T146 S
R1696	401 064 4813	OXIDE-MT 1.2 JA 2W	Q2501	405 015 8724	TR 2SC2812-L6-TB
R1697	401 067 2816	OXIDE-MT 3.3 JA 2W		405 015 8922	TR 2SC2812-L7-TB
MAIN BOARD				405 163 1612	TR 2SC2812N-L6-TB0
610 328 7386 ASSY,PWB,MAIN KE6B			Q2502	405 158 9210	TR IMZ4-T108
TRANSISTOR			Q2531	405 158 9210	TR IMZ4-T108
Q1861	405 014 4519	TR 2SC2412K T146 R		405 158 9210	TR IMZ4-T108
	405 014 4618	TR 2SC2412K T146 S	Q2532	405 158 9210	TR IMZ4-T108
	405 015 8724	TR 2SC2812-L6-TB	Q2561	405 158 9210	TR IMZ4-T108
	405 015 8922	TR 2SC2812-L7-TB	Q2562	405 158 9210	TR IMZ4-T108
	405 163 1612	TR 2SC2812N-L6-TB0	Q261	405 158 9210	TR IMZ4-T108
Q2201	405 014 4519	TR 2SC2412K T146 R		405 014 4519	TR 2SC2412K T146 R
	405 014 4618	TR 2SC2412K T146 S		405 014 4618	TR 2SC2412K T146 S
	405 015 8724	TR 2SC2812-L6-TB	Q262	405 015 8724	TR 2SC2812-L6-TB
	405 015 8922	TR 2SC2812-L7-TB		405 015 8922	TR 2SC2812-L7-TB
	405 163 1612	TR 2SC2812N-L6-TB0		405 163 1612	TR 2SC2812N-L6-TB0
Q2202	405 014 4519	TR 2SC2412K T146 R	Q263	405 134 5925	TR 2SA1037AK-T146-R

Key No.	Part No.	Description	Key No.	Part No.	Description
	405 147 2215	TR 2SA1037AK-S-T146		405 002 0417	TR 2SA1037K T146 S
	405 002 0318	TR 2SA1037K T146 R		405 002 6726	TR 2SA1179-M6-TB
	405 002 0417	TR 2SA1037K T146 S		405 002 6924	TR 2SA1179-M7-TB
	405 002 6726	TR 2SA1179-M6-TB		405 163 1513	TR 2SA1179N-M6-TB
	405 002 6924	TR 2SA1179-M7-TB	Q5861	405 134 5925	TR 2SA1037AK-T146-R
Q264	405 163 1513	TR 2SA1179N-M6-TB		405 147 2215	TR 2SA1037AK-S-T146
	405 134 5925	TR 2SA1037AK-T146-R		405 002 0318	TR 2SA1037K T146 R
	405 147 2215	TR 2SA1037AK-S-T146		405 002 0417	TR 2SA1037K T146 S
	405 002 0318	TR 2SA1037K T146 R		405 002 6726	TR 2SA1179-M6-TB
	405 002 0417	TR 2SA1037K T146 S		405 002 6924	TR 2SA1179-M7-TB
	405 002 6726	TR 2SA1179-M6-TB	Q5862	405 163 1513	TR 2SA1179N-M6-TB
	405 002 6924	TR 2SA1179-M7-TB		405 014 4519	TR 2SC2412K T146 R
Q266	405 163 1513	TR 2SA1179N-M6-TB		405 014 4618	TR 2SC2412K T146 S
	405 014 4519	TR 2SC2412K T146 R		405 015 8724	TR 2SC2812-L6-TB
	405 014 4618	TR 2SC2412K T146 S		405 015 8922	TR 2SC2812-L7-TB
	405 015 8724	TR 2SC2812-L6-TB	Q5871	405 163 1612	TR 2SC2812N-L6-TB0
	405 015 8922	TR 2SC2812-L7-TB		405 014 4519	TR 2SC2412K T146 R
Q2801	405 163 1612	TR 2SC2812N-L6-TB0		405 014 4618	TR 2SC2412K T146 S
	405 014 4519	TR 2SC2412K T146 R		405 015 8724	TR 2SC2812-L6-TB
	405 014 4618	TR 2SC2412K T146 S		405 015 8922	TR 2SC2812-L7-TB
	405 015 8724	TR 2SC2812-L6-TB	Q5872	405 163 1612	TR 2SC2812N-L6-TB0
	405 015 8922	TR 2SC2812-L7-TB		405 014 4519	TR 2SC2412K T146 R
Q2803	405 163 1612	TR 2SC2812N-L6-TB0		405 014 4618	TR 2SC2412K T146 S
	405 014 4519	TR 2SC2412K T146 R		405 015 8724	TR 2SC2812-L6-TB
	405 014 4618	TR 2SC2412K T146 S	Q5878	405 015 8922	TR 2SC2812-L7-TB
	405 015 8724	TR 2SC2812-L6-TB		405 163 1612	TR 2SC2812N-L6-TB0
	405 015 8922	TR 2SC2812-L7-TB		405 014 4519	TR 2SC2412K T146 R
Q281	405 163 1612	TR 2SC2812N-L6-TB0		405 014 4618	TR 2SC2412K T146 S
Q282	405 045 8725	TR 2SK536-TB		405 015 8724	TR 2SC2812-L6-TB
Q301	405 045 8725	TR 2SK536-TB		405 015 8922	TR 2SC2812-L7-TB
Q302	405 045 8725	TR 2SK536-TB	Q5879	405 163 1612	TR 2SC2812N-L6-TB0
Q303	405 045 8725	TR 2SK536-TB		405 014 4519	TR 2SC2412K T146 R
Q304	405 045 8725	TR 2SK536-TB		405 014 4618	TR 2SC2412K T146 S
Q5801	405 014 4519	TR 2SC2412K T146 R		405 015 8724	TR 2SC2812-L6-TB
	405 014 4618	TR 2SC2412K T146 S	Q5886	405 015 8922	TR 2SC2812-L7-TB
	405 015 8724	TR 2SC2812-L6-TB		405 163 1612	TR 2SC2812N-L6-TB0
	405 015 8922	TR 2SC2812-L7-TB		405 014 4519	TR 2SC2412K T146 R
Q5827	405 163 1612	TR 2SC2812N-L6-TB0		405 014 4618	TR 2SC2412K T146 S
	405 014 4519	TR 2SC2412K T146 R		405 015 8724	TR 2SC2812-L6-TB
	405 014 4618	TR 2SC2412K T146 S	Q5887	405 015 8922	TR 2SC2812-L7-TB
	405 015 8724	TR 2SC2812-L6-TB		405 163 1612	TR 2SC2812N-L6-TB0
	405 015 8922	TR 2SC2812-L7-TB		405 014 4519	TR 2SC2412K T146 R
Q5828	405 163 1612	TR 2SC2812N-L6-TB0		405 014 4618	TR 2SC2412K T146 S
	405 014 4519	TR 2SC2412K T146 R		405 015 8724	TR 2SC2812-L6-TB
	405 014 4618	TR 2SC2412K T146 S	Q7821	405 015 8922	TR 2SC2812-L7-TB
	405 015 8724	TR 2SC2812-L6-TB		405 163 1612	TR 2SC2812N-L6-TB0
	405 015 8922	TR 2SC2812-L7-TB		405 014 4519	TR 2SC2412K T146 R
Q5833	405 163 1612	TR 2SC2812N-L6-TB0		405 014 4618	TR 2SC2412K T146 S
	405 014 4519	TR 2SC2412K T146 R		405 015 8724	TR 2SC2812-L6-TB
	405 014 4618	TR 2SC2412K T146 S	Q7841	405 015 8922	TR 2SC2812-L7-TB
	405 015 8724	TR 2SC2812-L6-TB		405 163 1612	TR 2SC2812N-L6-TB0
	405 015 8922	TR 2SC2812-L7-TB		405 014 4519	TR 2SC2412K T146 R
Q5834	405 163 1612	TR 2SC2812N-L6-TB0		405 014 4618	TR 2SC2412K T146 S
	405 014 4519	TR 2SC2412K T146 R		405 015 8724	TR 2SC2812-L6-TB
	405 014 4618	TR 2SC2412K T146 S	Q7861	405 015 8922	TR 2SC2812-L7-TB
	405 015 8724	TR 2SC2812-L6-TB		405 163 1612	TR 2SC2812N-L6-TB0
	405 015 8922	TR 2SC2812-L7-TB		405 014 4519	TR 2SC2412K T146 R
Q5851	405 163 1612	TR 2SC2812N-L6-TB0		405 014 4618	TR 2SC2412K T146 S
	405 134 5925	TR 2SA1037AK-T146-R		405 015 8724	TR 2SC2812-L6-TB
	405 147 2215	TR 2SA1037AK-S-T146	Q7881	405 015 8922	TR 2SC2812-L7-TB
	405 002 0318	TR 2SA1037K T146 R		405 163 1612	TR 2SC2812N-L6-TB0
	405 002 0417	TR 2SA1037K T146 S		405 014 4519	TR 2SC2412K T146 R
	405 002 6726	TR 2SA1179-M6-TB		405 014 4618	TR 2SC2412K T146 S
	405 002 6924	TR 2SA1179-M7-TB		405 015 8724	TR 2SC2812-L6-TB
	405 163 1513	TR 2SA1179N-M6-TB		405 015 8922	TR 2SC2812-L7-TB
Q5852	405 134 5925	TR 2SA1037AK-T146-R	Q7921	405 163 1612	TR 2SC2812N-L6-TB0
	405 147 2215	TR 2SA1037AK-S-T146		405 014 4519	TR 2SC2412K T146 R
	405 002 0318	TR 2SA1037K T146 R		405 014 4618	TR 2SC2412K T146 S
	405 002 0417	TR 2SA1037K T146 S		405 015 8724	TR 2SC2812-L6-TB
	405 002 6726	TR 2SA1179-M6-TB		405 015 8922	TR 2SC2812-L7-TB
	405 002 6924	TR 2SA1179-M7-TB	Q7922	405 163 1612	TR 2SC2812N-L6-TB0
	405 163 1513	TR 2SA1179N-M6-TB		405 014 4519	TR 2SC2412K T146 R
Q5853	405 134 5925	TR 2SA1037AK-T146-R		405 014 4618	TR 2SC2412K T146 S
	405 147 2215	TR 2SA1037AK-S-T146		405 015 8724	TR 2SC2812-L6-TB
	405 002 0318	TR 2SA1037K T146 R		405 015 8922	TR 2SC2812-L7-TB
				405 163 1612	TR 2SC2812N-L6-TB0

Electrical Parts List

Key No.	Part No.	Description	Key No.	Part No.	Description
Q801	405 045 8725	TR 2SK536-TB	IC4701	410 538 8209	IC IDT70V24S15PFG
Q802	405 045 8725	TR 2SK536-TB	IC4801	409 626 7715	IC TIC81592GP-B
Q8201	405 045 8725	TR 2SK536-TB	IC4821	410 356 7606	IC SN74AHC1G04HDCK3
Q8202	405 045 8725	TR 2SK536-TB	IC4871	409 601 0816	IC MAS1390P
Q9201	405 014 4519	TR 2SC2412K T146 R	IC5221	410 348 7409	IC TC74LCX125FT(EL)
	405 014 4618	TR 2SC2412K T146 S	IC5801	409 529 6211	IC PQ070XZ1HZP
	405 015 8724	TR 2SC2812-L6-TB	IC5881	409 416 6515	IC BA05FP-E2
	405 015 8922	TR 2SC2812-L7-TB	IC5891	409 416 6515	IC BA05FP-E2
Q9202	405 163 1612	TR 2SC2812N-L6-TB0	IC591	409 461 7829	IC PQ20WZ11
	405 014 4519	TR 2SC2412K T146 R	IC592	409 461 7829	IC PQ20WZ11
	405 014 4618	TR 2SC2412K T146 S	IC6731	410 407 4004	IC TC74VCX541FT
	405 015 8724	TR 2SC2812-L6-TB	IC6732	410 407 4004	IC TC74VCX541FT
	405 015 8922	TR 2SC2812-L7-TB	IC6733	410 407 4004	IC TC74VCX541FT
	405 163 1612	TR 2SC2812N-L6-TB0	IC6743	410 595 6507	IC SN74AHC1G32DCKR
Q9203	405 134 5925	TR 2SA1037AK-T146-R	IC6752	410 595 6507	IC SN74AHC1G32DCKR
	405 147 2215	TR 2SA1037AK-S-T146	IC7801	409 428 9610	IC M62399FP-DF0Q
	405 002 0318	TR 2SA1037K T146 R	IC7802	409 301 5517	IC TC7S08FU(TE85L)
	405 002 0417	TR 2SA1037K T146 S	IC7821	409 461 7829	IC PQ20WZ11
	405 002 6726	TR 2SA1179-M6-TB	IC7841	409 461 7829	IC PQ20WZ11
	405 002 6924	TR 2SA1179-M7-TB	IC7861	409 461 7829	IC PQ20WZ11
	405 163 1513	TR 2SA1179N-M6-TB	IC7881	409 461 7829	IC PQ20WZ11
INTEGRATED	CIRCUIT		IC801	410 461 3500	IC HD6417727F160CV
IC1201	410 605 1706	IC XC3S50-4TQG144C	IC802	410 538 4904	IC 24LC64T-I/SNG
IC1251	409 534 1713	IC SI-3025LSA-TL	IC803	410 610 4303	IC XC61CC3002MR
IC1252	409 670 5415	IC SI-3010KM	IC804	409 522 7512	IC TC7SA08FU
IC1281	409 487 5724	IC TC7SZ125FU	IC8041	409 620 3416	IC PCA9540BDP
IC1282	409 487 5724	IC TC7SZ125FU	IC8051	410 517 6806	IC TC74LVX4053FT
IC1301	410 522 0905	IC EDD2516AKTA-5C	IC8052	409 558 7210	IC 24C02CT-I/SNG
IC1305	410 605 1607	IC S29JL064H70TFI00-0687	IC806	409 395 5912	IC TC7SH00FU-(TE85L)
IC1306	409 553 4719	IC PQ070XZ02ZP	IC8061	410 517 6806	IC TC74LVX4053FT
IC1307	409 553 4719	IC PQ070XZ02ZP	IC8062	409 487 5813	IC 24C01CT/SN
IC1311	410 522 0905	IC EDD2516AKTA-5C	IC807	409 368 5819	IC TC7SH08FU(TE85L)
IC1312	410 356 7903	IC SN74AHC1G08HDCK3	IC8071	410 517 6806	IC TC74LVX4053FT
IC1321	410 522 0905	IC EDD2516AKTA-5C	IC843	410 596 0009	IC 74LVC1G125GW/G,125
IC1331	410 522 0905	IC EDD2516AKTA-5C	IC9202	410 550 2209	IC EDS6416AHTA-75-E
IC1411	410 386 1902	IC TC74VCX125FT	IC9204	409 400 7115	IC TC7W53FU-(TE12L)
IC1421	409 499 1810	IC PQ018EZ01ZP	IC9292	409 583 8114	IC SI-3018LSA-TL
IC1431	410 386 1902	IC TC74VCX125FT	IC9293	409 416 6416	IC BA033FP-E2
IC1801	410 457 4207	IC EM638325TS-6	IC9811	410 484 0302	IC SN75240PWR
	410 617 2005	IC EM638325TS-6G	IC9821	410 474 1500	IC HD74LV1G126A
IC1811	410 619 4106	IC S29JL032H70TFI020688-A	IC9822	409 301 5517	IC TC7S08FU(TE85L)
IC1813	410 595 6507	IC SN74AHC1G32DCKR	IC9823	409 301 5517	IC TC7S08FU(TE85L)
IC1814	409 481 8612	IC LM76CHMX-5	IC9824	409 330 2518	IC TC7SH04FU-(TE85L)
IC1816	409 481 8612	IC LM76CHMX-5	IC9825	410 471 9905	IC SN74AHC2G14HDCT3
IC1831	409 400 7115	IC TC7W53FU-(TE12L)	CAPACITOR		
IC1832	410 595 6606	IC SN74AHCT1G32DCKR	C1201	403 343 3715	CERAMIC 0.1U Z 25V
IC1841	409 400 7115	IC TC7W53FU-(TE12L)	C1202	403 343 3715	CERAMIC 0.1U Z 25V
IC1842	410 595 9102	IC 74LVC1G32GW, 125	C1203	403 343 3715	CERAMIC 0.1U Z 25V
IC1871	410 362 6600	IC TC74ACT541FT	C1204	403 343 3715	CERAMIC 0.1U Z 25V
IC1872	410 362 6600	IC TC74ACT541FT	C1206	403 343 3715	CERAMIC 0.1U Z 25V
IC1873	410 362 6600	IC TC74ACT541FT	C1207	403 343 3715	CERAMIC 0.1U Z 25V
IC241	409 536 5511	IC AD8074ARUZ-REEL	C1208	403 343 3715	CERAMIC 0.1U Z 25V
IC251	409 400 7115	IC TC7W53FU-(TE12L)	C1209	403 343 3715	CERAMIC 0.1U Z 25V
IC261	409 416 6416	IC BA033FP-E2	C1211	403 343 3715	CERAMIC 0.1U Z 25V
IC271	409 416 6515	IC BA05FP-E2	C1212	403 343 3715	CERAMIC 0.1U Z 25V
IC2802	410 596 0009	IC 74LVC1G125GW/G,125	C1213	403 343 3715	CERAMIC 0.1U Z 25V
IC281	409 458 3411	IC M62393FP	C1214	403 343 3715	CERAMIC 0.1U Z 25V
IC301	409 654 8111	IC PW388B-10L	C1216	403 343 3715	CERAMIC 0.1U Z 25V
IC302	409 533 6016	IC 24LC32AT-I/SNG	C1217	403 343 3715	CERAMIC 0.1U Z 25V
IC303	410 356 7903	IC SN74AHC1G08HDCK3	C1218	403 343 3715	CERAMIC 0.1U Z 25V
IC311	410 423 8000	IC TC74LCX138FT	C1219	403 343 3715	CERAMIC 0.1U Z 25V
IC3201	410 356 7606	IC SN74AHC1G04HDCK3	C1221	403 343 3715	CERAMIC 0.1U Z 25V
IC3202	410 595 6408	IC SN74AHC1G00DCKR	C1222	403 343 3715	CERAMIC 0.1U Z 25V
IC3203	410 356 7606	IC SN74AHC1G04HDCK3	C1223	403 343 3715	CERAMIC 0.1U Z 25V
IC3204	410 595 6408	IC SN74AHC1G00DCKR	C1224	403 343 3715	CERAMIC 0.1U Z 25V
IC3231	409 545 7523	IC TA1370FG	C1250	403 343 3715	CERAMIC 0.1U Z 25V
IC3232	409 497 6312	IC BA09FP-E2	C1251	403 394 1319	ELECT 100U M 6.3V
IC3251	410 362 6600	IC TC74ACT541FT	C1252	403 358 3212	CERAMIC 10U K 6.3V
IC3252	409 428 8425	IC TC7WT125FU-TE12L		403 368 7316	CERAMIC 10U K 6.3V
IC3281	409 558 9412	IC LP2995MX		403 394 1319	ELECT 100U M 6.3V
IC3401	409 523 7016	IC PQ05VY3H3ZP	C1253	403 394 1319	ELECT 100U M 6.3V
IC3411	410 402 6300	IC MSM56V16160F-8TS-K	C1254	403 358 3212	CERAMIC 10U K 6.3V
	410 600 5105	IC MSM56V16160J-8T3-K		403 368 7316	CERAMIC 10U K 6.3V
IC401	409 545 7315	IC CXD3531R	C1256	403 394 1319	ELECT 100U M 6.3V
IC4401	410 562 5007	IC EP1S25F672C8N	C1257	403 358 3212	CERAMIC 10U K 6.3V

Key No.	Part No.	Description	Key No.	Part No.	Description
	403 368 7316	CERAMIC 10U K 6.3V	C1538	403 343 3715	CERAMIC 0.1U Z 25V
C1281	403 343 3715	CERAMIC 0.1U Z 25V	C1539	403 343 3715	CERAMIC 0.1U Z 25V
C1282	403 343 3715	CERAMIC 0.1U Z 25V	C1541	403 343 3715	CERAMIC 0.1U Z 25V
C1301	403 358 3212	CERAMIC 10U K 6.3V	C1542	403 398 4118	ELECT 47U M 16V
	403 368 7316	CERAMIC 10U K 6.3V	C1561	403 398 4118	ELECT 47U M 16V
C1302	403 343 3715	CERAMIC 0.1U Z 25V	C1562	403 343 3715	CERAMIC 0.1U Z 25V
C1303	403 343 3715	CERAMIC 0.1U Z 25V	C1563	403 398 4118	ELECT 47U M 16V
C1304	403 343 3715	CERAMIC 0.1U Z 25V	C1564	403 343 3715	CERAMIC 0.1U Z 25V
C1305	403 343 3715	CERAMIC 0.1U Z 25V	C1566	403 343 3715	CERAMIC 0.1U Z 25V
C1306	403 343 3715	CERAMIC 0.1U Z 25V	C1567	403 343 3715	CERAMIC 0.1U Z 25V
C1307	403 343 3715	CERAMIC 0.1U Z 25V	C1568	403 343 3715	CERAMIC 0.1U Z 25V
C1308	403 343 3715	CERAMIC 0.1U Z 25V	C1801	403 358 3212	CERAMIC 10U K 6.3V
C1309	403 343 3715	CERAMIC 0.1U Z 25V		403 368 7316	CERAMIC 10U K 6.3V
C1311	403 358 3212	CERAMIC 10U K 6.3V	C1802	403 343 3715	CERAMIC 0.1U Z 25V
	403 368 7316	CERAMIC 10U K 6.3V	C1803	403 343 3715	CERAMIC 0.1U Z 25V
C1312	403 343 3715	CERAMIC 0.1U Z 25V	C1804	403 343 3715	CERAMIC 0.1U Z 25V
C1313	403 343 3715	CERAMIC 0.1U Z 25V	C1805	403 343 3715	CERAMIC 0.1U Z 25V
C1314	403 343 3715	CERAMIC 0.1U Z 25V	C1806	403 343 3715	CERAMIC 0.1U Z 25V
C1315	403 343 3715	CERAMIC 0.1U Z 25V	C1807	403 343 3715	CERAMIC 0.1U Z 25V
C1316	403 343 3715	CERAMIC 0.1U Z 25V	C1808	403 343 3715	CERAMIC 0.1U Z 25V
C1317	403 343 3715	CERAMIC 0.1U Z 25V	C1809	403 343 3715	CERAMIC 0.1U Z 25V
C1318	403 343 3715	CERAMIC 0.1U Z 25V	C1811	403 358 3212	CERAMIC 10U K 6.3V
C1319	403 343 3715	CERAMIC 0.1U Z 25V		403 368 7316	CERAMIC 10U K 6.3V
C1321	403 358 3212	CERAMIC 10U K 6.3V	C1812	403 343 3715	CERAMIC 0.1U Z 25V
	403 368 7316	CERAMIC 10U K 6.3V	C1813	403 343 3715	CERAMIC 0.1U Z 25V
C1322	403 343 3715	CERAMIC 0.1U Z 25V	C1814	403 343 3715	CERAMIC 0.1U Z 25V
C1323	403 343 3715	CERAMIC 0.1U Z 25V	C1831	403 343 3715	CERAMIC 0.1U Z 25V
C1324	403 343 3715	CERAMIC 0.1U Z 25V	C1832	403 343 3715	CERAMIC 0.1U Z 25V
C1325	403 343 3715	CERAMIC 0.1U Z 25V	C1841	403 343 3715	CERAMIC 0.1U Z 25V
C1326	403 343 3715	CERAMIC 0.1U Z 25V	C1851	403 343 3715	CERAMIC 0.1U Z 25V
C1327	403 343 3715	CERAMIC 0.1U Z 25V	C1871	403 343 3715	CERAMIC 0.1U Z 25V
C1328	403 343 3715	CERAMIC 0.1U Z 25V	C1872	403 343 3715	CERAMIC 0.1U Z 25V
C1329	403 343 3715	CERAMIC 0.1U Z 25V	C1873	403 343 3715	CERAMIC 0.1U Z 25V
C1331	403 358 3212	CERAMIC 10U K 6.3V	C208	403 343 3715	CERAMIC 0.1U Z 25V
	403 368 7316	CERAMIC 10U K 6.3V	C209	403 343 3715	CERAMIC 0.1U Z 25V
C1332	403 343 3715	CERAMIC 0.1U Z 25V	C218	403 343 3715	CERAMIC 0.1U Z 25V
C1333	403 343 3715	CERAMIC 0.1U Z 25V	C219	403 343 3715	CERAMIC 0.1U Z 25V
C1334	403 343 3715	CERAMIC 0.1U Z 25V	C2201	403 343 3715	CERAMIC 0.1U Z 25V
C1335	403 343 3715	CERAMIC 0.1U Z 25V	C2204	403 343 3715	CERAMIC 0.1U Z 25V
C1336	403 343 3715	CERAMIC 0.1U Z 25V	C2206	403 343 3715	CERAMIC 0.1U Z 25V
C1337	403 343 3715	CERAMIC 0.1U Z 25V	C2209	403 343 3715	CERAMIC 0.1U Z 25V
C1338	403 343 3715	CERAMIC 0.1U Z 25V	C229	403 343 3715	CERAMIC 0.1U Z 25V
C1339	403 343 3715	CERAMIC 0.1U Z 25V	C2291	403 343 3715	CERAMIC 0.1U Z 25V
C1341	403 343 3715	CERAMIC 0.1U Z 25V	C241	403 343 3715	CERAMIC 0.1U Z 25V
C1342	403 343 3715	CERAMIC 0.1U Z 25V	C242	403 343 3715	CERAMIC 0.1U Z 25V
C1343	403 343 3715	CERAMIC 0.1U Z 25V	C243	403 343 3715	CERAMIC 0.1U Z 25V
C1344	403 343 3715	CERAMIC 0.1U Z 25V	C244	403 343 3715	CERAMIC 0.1U Z 25V
C1345	403 343 3715	CERAMIC 0.1U Z 25V	C245	403 279 6217	CERAMIC 10P J 50V
C1346	403 343 3715	CERAMIC 0.1U Z 25V	C246	403 343 3715	CERAMIC 0.1U Z 25V
C1347	403 343 3715	CERAMIC 0.1U Z 25V	C247	403 343 3715	CERAMIC 0.1U Z 25V
C1349	403 358 3212	CERAMIC 10U K 6.3V	C248	403 279 6217	CERAMIC 10P J 50V
	403 368 7316	CERAMIC 10U K 6.3V	C249	403 279 6217	CERAMIC 10P J 50V
C1351	403 343 3715	CERAMIC 0.1U Z 25V	C2501	403 401 3817	ELECT 10U M 25V
C1352	403 442 2015	CERAMIC 1U Z 10V	C2502	403 343 3715	CERAMIC 0.1U Z 25V
C1353	403 394 1319	ELECT 100U M 6.3V	C2503	403 294 6117	CERAMIC 100P J 50V
C1355	403 343 3715	CERAMIC 0.1U Z 25V	C2521	403 343 3715	CERAMIC 0.1U Z 25V
C1356	403 394 1319	ELECT 100U M 6.3V	C2522	403 343 3715	CERAMIC 0.1U Z 25V
C1359	403 442 2015	CERAMIC 1U Z 10V	C2523	403 401 3817	ELECT 10U M 25V
C1369	403 343 3715	CERAMIC 0.1U Z 25V	C2524	403 343 3715	CERAMIC 0.1U Z 25V
C1370	403 442 2015	CERAMIC 1U Z 10V	C2526	403 401 3817	ELECT 10U M 25V
C1411	403 343 3715	CERAMIC 0.1U Z 25V	C2531	403 401 3817	ELECT 10U M 25V
C1431	403 343 3715	CERAMIC 0.1U Z 25V	C2532	403 343 3715	CERAMIC 0.1U Z 25V
C1501	403 398 4118	ELECT 47U M 16V	C2533	403 294 6117	CERAMIC 100P J 50V
C1502	403 343 3715	CERAMIC 0.1U Z 25V	C2561	403 401 3817	ELECT 10U M 25V
C1503	403 398 4118	ELECT 47U M 16V	C2562	403 343 3715	CERAMIC 0.1U Z 25V
C1504	403 343 3715	CERAMIC 0.1U Z 25V	C2563	403 294 6117	CERAMIC 100P J 50V
C1506	403 343 3715	CERAMIC 0.1U Z 25V	C2581	403 343 3715	CERAMIC 0.1U Z 25V
C1507	403 343 3715	CERAMIC 0.1U Z 25V	C2582	403 391 5112	ELECT 100U M 16V
C1508	403 343 3715	CERAMIC 0.1U Z 25V	C2583	403 343 3715	CERAMIC 0.1U Z 25V
C1531	403 343 3715	CERAMIC 0.1U Z 25V	C2584	403 391 5112	ELECT 100U M 16V
C1532	403 398 4118	ELECT 47U M 16V	C2586	403 343 3715	CERAMIC 0.1U Z 25V
C1534	403 343 3715	CERAMIC 0.1U Z 25V	C2587	403 343 3715	CERAMIC 0.1U Z 25V
C1536	403 343 3715	CERAMIC 0.1U Z 25V	C2588	403 401 3817	ELECT 10U M 25V
C1537	403 398 4118	ELECT 47U M 16V	C2589	403 343 3715	CERAMIC 0.1U Z 25V

Electrical Parts List

Key No.	Part No.	Description	Key No.	Part No.	Description
C2591	403 401 3817	ELECT 10U M 25V	C324	403 343 3715	CERAMIC 0.1U Z 25V
C2593	403 343 3715	CERAMIC 0.1U Z 25V	C325	403 343 3715	CERAMIC 0.1U Z 25V
C2594	403 343 3715	CERAMIC 0.1U Z 25V	C3251	403 343 3715	CERAMIC 0.1U Z 25V
C2596	403 401 3817	ELECT 10U M 25V	C3252	403 343 3715	CERAMIC 0.1U Z 25V
C2597	403 343 3715	CERAMIC 0.1U Z 25V	C326	403 343 3715	CERAMIC 0.1U Z 25V
C2598	403 401 3817	ELECT 10U M 25V	C327	403 343 3715	CERAMIC 0.1U Z 25V
C261	403 391 5112	ELECT 100U M 16V	C328	403 343 3715	CERAMIC 0.1U Z 25V
C262	403 343 3715	CERAMIC 0.1U Z 25V	C3281	403 394 1319	ELECT 100U M 6.3V
C263	403 398 4118	ELECT 47U M 16V	C3282	403 442 2015	CERAMIC 1U Z 10V
C264	403 343 3715	CERAMIC 0.1U Z 25V	C3283	403 442 2015	CERAMIC 1U Z 10V
C265	403 358 3212	CERAMIC 10U K 6.3V	C3284	403 394 1319	ELECT 100U M 6.3V
	403 368 7316	CERAMIC 10U K 6.3V	C3285	403 442 2015	CERAMIC 1U Z 10V
C266	403 358 3212	CERAMIC 10U K 6.3V	C3287	403 442 2015	CERAMIC 1U Z 10V
	403 368 7316	CERAMIC 10U K 6.3V	C329	403 343 3715	CERAMIC 0.1U Z 25V
C267	403 355 9910	CERAMIC 2.2U K 10V	C331	403 358 3212	CERAMIC 10U K 6.3V
C268	403 358 3212	CERAMIC 10U K 6.3V		403 368 7316	CERAMIC 10U K 6.3V
	403 368 7316	CERAMIC 10U K 6.3V	C332	403 343 3715	CERAMIC 0.1U Z 25V
C269	403 343 3715	CERAMIC 0.1U Z 25V	C333	403 343 3715	CERAMIC 0.1U Z 25V
C271	403 398 4118	ELECT 47U M 16V	C334	403 343 3715	CERAMIC 0.1U Z 25V
C272	403 343 3715	CERAMIC 0.1U Z 25V	C335	403 343 3715	CERAMIC 0.1U Z 25V
C273	403 358 3212	CERAMIC 10U K 6.3V	C336	403 343 3715	CERAMIC 0.1U Z 25V
	403 368 7316	CERAMIC 10U K 6.3V	C337	403 343 3715	CERAMIC 0.1U Z 25V
C274	403 358 3212	CERAMIC 10U K 6.3V	C338	403 343 3715	CERAMIC 0.1U Z 25V
	403 368 7316	CERAMIC 10U K 6.3V	C339	403 343 3715	CERAMIC 0.1U Z 25V
C276	403 398 4118	ELECT 47U M 16V	C3401	403 398 4118	ELECT 47U M 16V
C277	403 398 4118	ELECT 47U M 16V	C3402	403 343 3715	CERAMIC 0.1U Z 25V
C2801	403 343 3715	CERAMIC 0.1U Z 25V	C3403	403 398 4118	ELECT 47U M 16V
C2802	403 343 3715	CERAMIC 0.1U Z 25V	C3404	403 343 3715	CERAMIC 0.1U Z 25V
C2803	403 305 4712	CERAMIC 330P J 50V	C3406	403 358 3212	CERAMIC 10U K 6.3V
C282	403 343 3715	CERAMIC 0.1U Z 25V		403 368 7316	CERAMIC 10U K 6.3V
C283	403 343 3715	CERAMIC 0.1U Z 25V	C3407	403 358 3212	CERAMIC 10U K 6.3V
C292	403 343 3715	CERAMIC 0.1U Z 25V		403 368 7316	CERAMIC 10U K 6.3V
C293	403 343 3715	CERAMIC 0.1U Z 25V	C3408	403 358 3212	CERAMIC 10U K 6.3V
C294	403 358 3212	CERAMIC 10U K 6.3V		403 368 7316	CERAMIC 10U K 6.3V
	403 368 7316	CERAMIC 10U K 6.3V	C3409	403 358 3212	CERAMIC 10U K 6.3V
C296	403 343 3715	CERAMIC 0.1U Z 25V		403 368 7316	CERAMIC 10U K 6.3V
C297	403 358 3212	CERAMIC 10U K 6.3V	C341	403 445 0315	CERAMIC 8P G 50V
	403 368 7316	CERAMIC 10U K 6.3V	C3411	403 343 3715	CERAMIC 0.1U Z 25V
C298	403 343 3715	CERAMIC 0.1U Z 25V	C3412	403 343 3715	CERAMIC 0.1U Z 25V
C301	403 358 3212	CERAMIC 10U K 6.3V	C3413	403 343 3715	CERAMIC 0.1U Z 25V
	403 368 7316	CERAMIC 10U K 6.3V	C3414	403 343 3715	CERAMIC 0.1U Z 25V
C302	403 343 3715	CERAMIC 0.1U Z 25V	C3416	403 343 3715	CERAMIC 0.1U Z 25V
C303	403 343 3715	CERAMIC 0.1U Z 25V	C3417	403 343 3715	CERAMIC 0.1U Z 25V
C304	403 343 3715	CERAMIC 0.1U Z 25V	C3418	403 358 3212	CERAMIC 10U K 6.3V
C305	403 343 3715	CERAMIC 0.1U Z 25V		403 368 7316	CERAMIC 10U K 6.3V
C306	403 343 3715	CERAMIC 0.1U Z 25V	C3419	403 442 2015	CERAMIC 1U Z 10V
C307	403 343 3715	CERAMIC 0.1U Z 25V	C342	403 445 0315	CERAMIC 8P G 50V
C308	403 343 3715	CERAMIC 0.1U Z 25V	C3421	403 442 2015	CERAMIC 1U Z 10V
C309	403 343 3715	CERAMIC 0.1U Z 25V	C3422	403 442 2015	CERAMIC 1U Z 10V
C311	403 358 3212	CERAMIC 10U K 6.3V	C3423	403 442 2015	CERAMIC 1U Z 10V
	403 368 7316	CERAMIC 10U K 6.3V	C3424	403 442 2015	CERAMIC 1U Z 10V
C312	403 343 3715	CERAMIC 0.1U Z 25V	C343	403 442 2015	CERAMIC 1U Z 10V
C313	403 343 3715	CERAMIC 0.1U Z 25V	C344	403 343 3715	CERAMIC 0.1U Z 25V
C314	403 343 3715	CERAMIC 0.1U Z 25V	C345	403 343 3715	CERAMIC 0.1U Z 25V
C315	403 343 3715	CERAMIC 0.1U Z 25V	C346	403 363 3511	CERAMIC 22U M 6.3V
C316	403 343 3715	CERAMIC 0.1U Z 25V	C347	403 363 3511	CERAMIC 22U M 6.3V
C317	403 343 3715	CERAMIC 0.1U Z 25V	C348	403 363 3511	CERAMIC 22U M 6.3V
C318	403 343 3715	CERAMIC 0.1U Z 25V	C349	403 343 3715	CERAMIC 0.1U Z 25V
C319	403 343 3715	CERAMIC 0.1U Z 25V	C351	403 358 3212	CERAMIC 10U K 6.3V
C3201	403 343 3715	CERAMIC 0.1U Z 25V		403 368 7316	CERAMIC 10U K 6.3V
C3202	403 343 3715	CERAMIC 0.1U Z 25V	C352	403 343 3715	CERAMIC 0.1U Z 25V
C3203	403 343 3715	CERAMIC 0.1U Z 25V	C353	403 343 3715	CERAMIC 0.1U Z 25V
C3204	403 343 3715	CERAMIC 0.1U Z 25V	C354	403 343 3715	CERAMIC 0.1U Z 25V
C321	403 358 3212	CERAMIC 10U K 6.3V	C355	403 343 3715	CERAMIC 0.1U Z 25V
	403 368 7316	CERAMIC 10U K 6.3V	C356	403 343 3715	CERAMIC 0.1U Z 25V
C322	403 343 3715	CERAMIC 0.1U Z 25V	C357	403 343 3715	CERAMIC 0.1U Z 25V
C323	403 343 3715	CERAMIC 0.1U Z 25V	C358	403 343 3715	CERAMIC 0.1U Z 25V
C3231	403 343 3715	CERAMIC 0.1U Z 25V	C359	403 343 3715	CERAMIC 0.1U Z 25V
C3232	403 398 4118	ELECT 47U M 16V	C360	403 276 1314	CERAMIC 1000P K 50V
C3233	403 343 3715	CERAMIC 0.1U Z 25V	C361	403 343 3715	CERAMIC 0.1U Z 25V
C3234	403 398 6518	ELECT 2.2U M 50V	C362	403 358 3212	CERAMIC 10U K 6.3V
C3236	403 441 9817	CERAMIC 0.01U K 50V		403 368 7316	CERAMIC 10U K 6.3V
C3237	403 343 3715	CERAMIC 0.1U Z 25V	C363	403 343 3715	CERAMIC 0.1U Z 25V
C3238	403 355 9910	CERAMIC 2.2U K 10V	C364	403 343 3715	CERAMIC 0.1U Z 25V

Key No.	Part No.	Description	Key No.	Part No.	Description
C365	403 442 2015	CERAMIC 1U Z 10V	C4447	403 343 3715	CERAMIC 0.1U Z 25V
C366	403 343 3715	CERAMIC 0.1U Z 25V	C4448	403 343 3715	CERAMIC 0.1U Z 25V
C367	403 343 3715	CERAMIC 0.1U Z 25V	C4449	403 343 3715	CERAMIC 0.1U Z 25V
C368	403 442 2015	CERAMIC 1U Z 10V	C4451	403 343 3715	CERAMIC 0.1U Z 25V
C369	403 442 2015	CERAMIC 1U Z 10V	C4452	403 343 3715	CERAMIC 0.1U Z 25V
C401	403 394 1319	ELECT 100U M 6.3V	C4453	403 343 3715	CERAMIC 0.1U Z 25V
C402	403 394 1319	ELECT 100U M 6.3V	C4454	403 343 3715	CERAMIC 0.1U Z 25V
C403	403 343 3715	CERAMIC 0.1U Z 25V	C4456	403 343 3715	CERAMIC 0.1U Z 25V
C404	403 343 3715	CERAMIC 0.1U Z 25V	C4457	403 343 3715	CERAMIC 0.1U Z 25V
C405	403 442 2015	CERAMIC 1U Z 10V	C4458	403 343 3715	CERAMIC 0.1U Z 25V
C406	403 343 3715	CERAMIC 0.1U Z 25V	C4459	403 343 3715	CERAMIC 0.1U Z 25V
C407	403 343 3715	CERAMIC 0.1U Z 25V	C4466	403 343 3715	CERAMIC 0.1U Z 25V
C408	403 343 3715	CERAMIC 0.1U Z 25V	C4467	403 343 3715	CERAMIC 0.1U Z 25V
C409	403 343 3715	CERAMIC 0.1U Z 25V	C4468	403 343 3715	CERAMIC 0.1U Z 25V
C414	403 343 3715	CERAMIC 0.1U Z 25V	C4469	403 343 3715	CERAMIC 0.1U Z 25V
C416	403 343 3715	CERAMIC 0.1U Z 25V	C4471	403 343 3715	CERAMIC 0.1U Z 25V
C417	403 343 3715	CERAMIC 0.1U Z 25V	C4472	403 343 3715	CERAMIC 0.1U Z 25V
C418	403 343 3715	CERAMIC 0.1U Z 25V	C4473	403 343 3715	CERAMIC 0.1U Z 25V
C419	403 343 3715	CERAMIC 0.1U Z 25V	C4474	403 343 3715	CERAMIC 0.1U Z 25V
C421	403 343 3715	CERAMIC 0.1U Z 25V	C4476	403 343 3715	CERAMIC 0.1U Z 25V
C422	403 343 3715	CERAMIC 0.1U Z 25V	C4477	403 343 3715	CERAMIC 0.1U Z 25V
C423	403 343 3715	CERAMIC 0.1U Z 25V	C4478	403 343 3715	CERAMIC 0.1U Z 25V
C426	403 343 3715	CERAMIC 0.1U Z 25V	C4479	403 343 3715	CERAMIC 0.1U Z 25V
C427	403 343 3715	CERAMIC 0.1U Z 25V	C4481	403 343 3715	CERAMIC 0.1U Z 25V
C428	403 343 3715	CERAMIC 0.1U Z 25V	C4482	403 343 3715	CERAMIC 0.1U Z 25V
C429	403 343 3715	CERAMIC 0.1U Z 25V	C4701	403 343 3715	CERAMIC 0.1U Z 25V
C431	403 343 3715	CERAMIC 0.1U Z 25V	C4702	403 343 3715	CERAMIC 0.1U Z 25V
C432	403 343 3715	CERAMIC 0.1U Z 25V	C4703	403 358 3212	CERAMIC 10U K 6.3V
C434	403 343 3715	CERAMIC 0.1U Z 25V		403 368 7316	CERAMIC 10U K 6.3V
C436	403 343 3715	CERAMIC 0.1U Z 25V	C4705	403 343 3715	CERAMIC 0.1U Z 25V
C437	403 343 3715	CERAMIC 0.1U Z 25V	C4751	403 343 3715	CERAMIC 0.1U Z 25V
C438	403 343 3715	CERAMIC 0.1U Z 25V	C4752	403 343 3715	CERAMIC 0.1U Z 25V
C439	403 343 3715	CERAMIC 0.1U Z 25V	C4753	403 343 3715	CERAMIC 0.1U Z 25V
C4401	403 343 3715	CERAMIC 0.1U Z 25V	C4801	403 343 3715	CERAMIC 0.1U Z 25V
C4402	403 343 3715	CERAMIC 0.1U Z 25V	C4802	403 343 3715	CERAMIC 0.1U Z 25V
C4403	403 343 3715	CERAMIC 0.1U Z 25V	C4803	403 343 3715	CERAMIC 0.1U Z 25V
C4404	403 343 3715	CERAMIC 0.1U Z 25V	C4806	403 343 3715	CERAMIC 0.1U Z 25V
C4406	403 343 3715	CERAMIC 0.1U Z 25V	C4807	403 343 3715	CERAMIC 0.1U Z 25V
C4407	403 343 3715	CERAMIC 0.1U Z 25V	C4808	403 343 3715	CERAMIC 0.1U Z 25V
C4408	403 343 3715	CERAMIC 0.1U Z 25V	C4809	403 343 3715	CERAMIC 0.1U Z 25V
C4409	403 343 3715	CERAMIC 0.1U Z 25V	C4811	403 305 4712	CERAMIC 330P J 50V
C4411	403 343 3715	CERAMIC 0.1U Z 25V	C4812	403 343 3715	CERAMIC 0.1U Z 25V
C4412	403 343 3715	CERAMIC 0.1U Z 25V	C4817	403 282 5115	CERAMIC 470P K 50V
C4413	403 343 3715	CERAMIC 0.1U Z 25V	C4821	403 343 3715	CERAMIC 0.1U Z 25V
C4414	403 343 3715	CERAMIC 0.1U Z 25V	C4871	403 343 3715	CERAMIC 0.1U Z 25V
C4416	403 358 3212	CERAMIC 10U K 6.3V	C4883	403 394 1319	ELECT 100U M 6.3V
	403 368 7316	CERAMIC 10U K 6.3V	C4884	403 343 3715	CERAMIC 0.1U Z 25V
C4417	403 343 3715	CERAMIC 0.1U Z 25V	C501	403 343 3715	CERAMIC 0.1U Z 25V
C4418	403 343 3715	CERAMIC 0.1U Z 25V	C502	403 343 3715	CERAMIC 0.1U Z 25V
C4419	403 343 3715	CERAMIC 0.1U Z 25V	C503	403 398 4118	ELECT 47U M 16V
C442	403 343 3715	CERAMIC 0.1U Z 25V	C504	403 398 4118	ELECT 47U M 16V
C4421	403 343 3715	CERAMIC 0.1U Z 25V	C506	403 343 3715	CERAMIC 0.1U Z 25V
C4422	403 343 3715	CERAMIC 0.1U Z 25V	C507	403 398 4118	ELECT 47U M 16V
C4423	403 343 3715	CERAMIC 0.1U Z 25V	C508	403 343 3715	CERAMIC 0.1U Z 25V
C4424	403 343 3715	CERAMIC 0.1U Z 25V	C509	403 343 3715	CERAMIC 0.1U Z 25V
C4426	403 343 3715	CERAMIC 0.1U Z 25V	C511	403 343 3715	CERAMIC 0.1U Z 25V
C4427	403 343 3715	CERAMIC 0.1U Z 25V	C512	403 343 3715	CERAMIC 0.1U Z 25V
C4428	403 343 3715	CERAMIC 0.1U Z 25V	C513	403 398 4118	ELECT 47U M 16V
C4429	403 343 3715	CERAMIC 0.1U Z 25V	C5221	403 343 3715	CERAMIC 0.1U Z 25V
C443	403 343 3715	CERAMIC 0.1U Z 25V	C531	403 398 4118	ELECT 47U M 16V
C4431	403 358 3212	CERAMIC 10U K 6.3V	C532	403 343 3715	CERAMIC 0.1U Z 25V
	403 368 7316	CERAMIC 10U K 6.3V	C533	403 343 3715	CERAMIC 0.1U Z 25V
C4432	403 343 3715	CERAMIC 0.1U Z 25V	C534	403 343 3715	CERAMIC 0.1U Z 25V
C4433	403 343 3715	CERAMIC 0.1U Z 25V	C536	403 398 4118	ELECT 47U M 16V
C4434	403 343 3715	CERAMIC 0.1U Z 25V	C537	403 343 3715	CERAMIC 0.1U Z 25V
C4436	403 343 3715	CERAMIC 0.1U Z 25V	C538	403 398 4118	ELECT 47U M 16V
C4437	403 343 3715	CERAMIC 0.1U Z 25V	C539	403 343 3715	CERAMIC 0.1U Z 25V
C4438	403 343 3715	CERAMIC 0.1U Z 25V	C541	403 343 3715	CERAMIC 0.1U Z 25V
C4439	403 343 3715	CERAMIC 0.1U Z 25V	C561	403 398 4118	ELECT 47U M 16V
C4441	403 343 3715	CERAMIC 0.1U Z 25V	C562	403 343 3715	CERAMIC 0.1U Z 25V
C4442	403 343 3715	CERAMIC 0.1U Z 25V	C563	403 398 4118	ELECT 47U M 16V
C4443	403 343 3715	CERAMIC 0.1U Z 25V	C564	403 343 3715	CERAMIC 0.1U Z 25V
C4444	403 343 3715	CERAMIC 0.1U Z 25V	C566	403 343 3715	CERAMIC 0.1U Z 25V
C4446	403 343 3715	CERAMIC 0.1U Z 25V	C567	403 398 4118	ELECT 47U M 16V

Electrical Parts List

Key No.	Part No.	Description	Key No.	Part No.	Description
C568	403 343 3715	CERAMIC 0.1U Z 25V	C7871	403 343 3715	CERAMIC 0.1U Z 25V
C569	403 398 4118	ELECT 47U M 16V	C7872	403 391 5112	ELECT 100U M 16V
C571	403 343 3715	CERAMIC 0.1U Z 25V	C7881	403 376 3119	ELECT 100U M 25V
C572	403 343 3715	CERAMIC 0.1U Z 25V	C7882	403 343 3715	CERAMIC 0.1U Z 25V
C573	403 343 3715	CERAMIC 0.1U Z 25V	C7891	403 343 3715	CERAMIC 0.1U Z 25V
C5802	403 343 3715	CERAMIC 0.1U Z 25V	C7892	403 391 5112	ELECT 100U M 16V
C5803	403 343 3715	CERAMIC 0.1U Z 25V	C801	403 343 3715	CERAMIC 0.1U Z 25V
C5804	403 343 3715	CERAMIC 0.1U Z 25V	C802	403 343 3715	CERAMIC 0.1U Z 25V
C5806	403 343 3715	CERAMIC 0.1U Z 25V	C803	403 401 3817	ELECT 10U M 25V
C5807	403 343 3715	CERAMIC 0.1U Z 25V	C804	403 343 3715	CERAMIC 0.1U Z 25V
C5808	403 343 3715	CERAMIC 0.1U Z 25V	C8042	403 358 3212	CERAMIC 10U K 6.3V
C5809	403 343 3715	CERAMIC 0.1U Z 25V		403 368 7316	CERAMIC 10U K 6.3V
C5811	403 394 1319	ELECT 100U M 6.3V	C805	403 343 3715	CERAMIC 0.1U Z 25V
C5812	403 358 3212	CERAMIC 10U K 6.3V	C8051	403 343 3715	CERAMIC 0.1U Z 25V
	403 368 7316	CERAMIC 10U K 6.3V	C8052	403 343 3715	CERAMIC 0.1U Z 25V
C5851	403 343 3715	CERAMIC 0.1U Z 25V	C806	403 343 3715	CERAMIC 0.1U Z 25V
C5852	403 343 3715	CERAMIC 0.1U Z 25V	C8061	403 343 3715	CERAMIC 0.1U Z 25V
C5853	403 343 3715	CERAMIC 0.1U Z 25V	C8062	403 343 3715	CERAMIC 0.1U Z 25V
C5881	403 394 1319	ELECT 100U M 6.3V	C807	403 343 3715	CERAMIC 0.1U Z 25V
C5883	403 343 3715	CERAMIC 0.1U Z 25V	C8071	403 343 3715	CERAMIC 0.1U Z 25V
C5884	403 343 3715	CERAMIC 0.1U Z 25V	C8072	403 343 3715	CERAMIC 0.1U Z 25V
C5886	403 343 3715	CERAMIC 0.1U Z 25V	C808	403 343 3715	CERAMIC 0.1U Z 25V
C5887	403 343 3715	CERAMIC 0.1U Z 25V	C809	403 343 3715	CERAMIC 0.1U Z 25V
C5891	403 394 1319	ELECT 100U M 6.3V	C811	403 343 3715	CERAMIC 0.1U Z 25V
C591	403 376 3119	ELECT 100U M 25V	C812	403 343 3715	CERAMIC 0.1U Z 25V
C592	403 343 3715	CERAMIC 0.1U Z 25V	C813	403 343 3715	CERAMIC 0.1U Z 25V
C593	403 376 3119	ELECT 100U M 25V	C814	403 343 3715	CERAMIC 0.1U Z 25V
C594	403 343 3715	CERAMIC 0.1U Z 25V	C815	403 343 3715	CERAMIC 0.1U Z 25V
C596	403 376 3119	ELECT 100U M 25V	C816	403 343 3715	CERAMIC 0.1U Z 25V
C597	403 343 3715	CERAMIC 0.1U Z 25V	C817	403 358 3212	CERAMIC 10U K 6.3V
C598	403 391 5112	ELECT 100U M 16V		403 368 7316	CERAMIC 10U K 6.3V
C599	403 343 3715	CERAMIC 0.1U Z 25V	C818	403 394 1319	ELECT 100U M 6.3V
C6731	403 343 3715	CERAMIC 0.1U Z 25V	C819	403 343 3715	CERAMIC 0.1U Z 25V
C6732	403 343 3715	CERAMIC 0.1U Z 25V	C8201	403 442 2015	CERAMIC 1U Z 10V
C6733	403 343 3715	CERAMIC 0.1U Z 25V	C8202	403 442 2015	CERAMIC 1U Z 10V
C6741	403 343 3715	CERAMIC 0.1U Z 25V	C8203	403 343 3715	CERAMIC 0.1U Z 25V
C6742	403 343 3715	CERAMIC 0.1U Z 25V	C8204	403 343 3715	CERAMIC 0.1U Z 25V
C6743	403 343 3715	CERAMIC 0.1U Z 25V	C8206	403 343 3715	CERAMIC 0.1U Z 25V
C6751	403 343 3715	CERAMIC 0.1U Z 25V	C8207	403 343 3715	CERAMIC 0.1U Z 25V
C6752	403 343 3715	CERAMIC 0.1U Z 25V	C8208	403 343 3715	CERAMIC 0.1U Z 25V
C6753	403 343 3715	CERAMIC 0.1U Z 25V	C8209	403 343 3715	CERAMIC 0.1U Z 25V
C6754	403 343 3715	CERAMIC 0.1U Z 25V	C821	403 343 3715	CERAMIC 0.1U Z 25V
C6756	403 343 3715	CERAMIC 0.1U Z 25V	C8211	403 442 0110	CERAMIC 0.082U K 16V
C7802	403 343 3715	CERAMIC 0.1U Z 25V	C8212	403 306 6517	CERAMIC 8200P K 50V
C7803	403 343 3715	CERAMIC 0.1U Z 25V	C8213	403 343 3715	CERAMIC 0.1U Z 25V
C7804	403 394 1319	ELECT 100U M 6.3V	C8214	403 343 3715	CERAMIC 0.1U Z 25V
C7805	403 343 3715	CERAMIC 0.1U Z 25V	C8216	403 343 3715	CERAMIC 0.1U Z 25V
C7806	403 391 5112	ELECT 100U M 16V	C8217	403 343 3715	CERAMIC 0.1U Z 25V
C7807	403 391 5112	ELECT 100U M 16V	C8218	403 343 3715	CERAMIC 0.1U Z 25V
C7808	403 343 3715	CERAMIC 0.1U Z 25V	C8219	403 343 3715	CERAMIC 0.1U Z 25V
C7809	403 343 3715	CERAMIC 0.1U Z 25V	C822	403 343 3715	CERAMIC 0.1U Z 25V
C7811	403 343 3715	CERAMIC 0.1U Z 25V	C8221	403 343 3715	CERAMIC 0.1U Z 25V
C7812	403 343 3715	CERAMIC 0.1U Z 25V	C8222	403 343 3715	CERAMIC 0.1U Z 25V
C7813	403 343 3715	CERAMIC 0.1U Z 25V	C8223	403 343 3715	CERAMIC 0.1U Z 25V
C7814	403 343 3715	CERAMIC 0.1U Z 25V	C8224	403 343 3715	CERAMIC 0.1U Z 25V
C7816	403 276 1314	CERAMIC 1000P K 50V	C8226	403 343 3715	CERAMIC 0.1U Z 25V
C7821	403 376 3119	ELECT 100U M 25V	C8227	403 343 3715	CERAMIC 0.1U Z 25V
C7822	403 343 3715	CERAMIC 0.1U Z 25V	C8228	403 442 2015	CERAMIC 1U Z 10V
C7823	403 343 3715	CERAMIC 0.1U Z 25V	C8229	403 442 2015	CERAMIC 1U Z 10V
C7824	403 343 3715	CERAMIC 0.1U Z 25V	C823	403 343 3715	CERAMIC 0.1U Z 25V
C7826	403 343 3715	CERAMIC 0.1U Z 25V	C8231	403 442 2015	CERAMIC 1U Z 10V
C7827	403 343 3715	CERAMIC 0.1U Z 25V	C8232	403 358 3212	CERAMIC 10U K 6.3V
C7831	403 343 3715	CERAMIC 0.1U Z 25V		403 368 7316	CERAMIC 10U K 6.3V
C7832	403 391 5112	ELECT 100U M 16V	C8233	403 358 3212	CERAMIC 10U K 6.3V
C7833	403 391 5112	ELECT 100U M 16V		403 368 7316	CERAMIC 10U K 6.3V
C7834	403 391 5112	ELECT 100U M 16V	C8234	403 358 3212	CERAMIC 10U K 6.3V
C7836	403 391 5112	ELECT 100U M 16V		403 368 7316	CERAMIC 10U K 6.3V
C7837	403 391 5112	ELECT 100U M 16V	C824	403 343 3715	CERAMIC 0.1U Z 25V
C7841	403 376 3119	ELECT 100U M 25V	C825	403 343 3715	CERAMIC 0.1U Z 25V
C7842	403 343 3715	CERAMIC 0.1U Z 25V	C826	403 343 3715	CERAMIC 0.1U Z 25V
C7851	403 343 3715	CERAMIC 0.1U Z 25V	C827	403 343 3715	CERAMIC 0.1U Z 25V
C7852	403 391 5112	ELECT 100U M 16V	C828	403 343 3715	CERAMIC 0.1U Z 25V
C7861	403 376 3119	ELECT 100U M 25V	C829	403 343 3715	CERAMIC 0.1U Z 25V
C7862	403 343 3715	CERAMIC 0.1U Z 25V	C831	403 343 3715	CERAMIC 0.1U Z 25V

Key No.	Part No.	Description	Key No.	Part No.	Description
C832	403 343 3715	CERAMIC 0.1U Z 25V	C9273	403 343 3715	CERAMIC 0.1U Z 25V
C833	403 343 3715	CERAMIC 0.1U Z 25V	C9274	403 343 3715	CERAMIC 0.1U Z 25V
C834	403 343 3715	CERAMIC 0.1U Z 25V	C9275	403 358 3212	CERAMIC 10U K 6.3V
C836	403 343 3715	CERAMIC 0.1U Z 25V		403 368 7316	CERAMIC 10U K 6.3V
C837	403 343 3715	CERAMIC 0.1U Z 25V	C9276	403 343 3715	CERAMIC 0.1U Z 25V
C838	403 442 2015	CERAMIC 1U Z 10V	C9277	403 343 3715	CERAMIC 0.1U Z 25V
C839	403 282 5115	CERAMIC 470P K 50V	C9278	403 343 3715	CERAMIC 0.1U Z 25V
C841	403 343 3715	CERAMIC 0.1U Z 25V	C9279	403 343 3715	CERAMIC 0.1U Z 25V
C842	403 282 5115	CERAMIC 470P K 50V	C9281	403 403 3211	NP-ELECT 47U M 6.3V
C843	403 276 1314	CERAMIC 1000P K 50V	C9283	403 403 3211	NP-ELECT 47U M 6.3V
C844	403 343 3715	CERAMIC 0.1U Z 25V	C9285	403 358 3212	CERAMIC 10U K 6.3V
C846	403 343 3715	CERAMIC 0.1U Z 25V		403 368 7316	CERAMIC 10U K 6.3V
C847	403 343 3715	CERAMIC 0.1U Z 25V	C9286	403 403 3211	NP-ELECT 47U M 6.3V
C9201	403 343 3715	CERAMIC 0.1U Z 25V	C9287	403 320 0416	CERAMIC 68P J 50V
C9202	403 343 3715	CERAMIC 0.1U Z 25V	C9288	403 403 3211	NP-ELECT 47U M 6.3V
C9203	403 398 4118	ELECT 47U M 16V	C9289	403 320 0416	CERAMIC 68P J 50V
C9204	403 398 4118	ELECT 47U M 16V	C9291	403 403 3211	NP-ELECT 47U M 6.3V
C9205	403 343 3715	CERAMIC 0.1U Z 25V	C9292	403 320 0416	CERAMIC 68P J 50V
C9207	403 343 3715	CERAMIC 0.1U Z 25V	C9293	403 358 3212	CERAMIC 10U K 6.3V
C9208	403 358 3212	CERAMIC 10U K 6.3V		403 368 7316	CERAMIC 10U K 6.3V
	403 368 7316	CERAMIC 10U K 6.3V	C9294	403 358 3212	CERAMIC 10U K 6.3V
C9209	403 343 3715	CERAMIC 0.1U Z 25V		403 368 7316	CERAMIC 10U K 6.3V
C9211	403 343 3715	CERAMIC 0.1U Z 25V	C9295	403 358 3212	CERAMIC 10U K 6.3V
C9212	403 343 3715	CERAMIC 0.1U Z 25V		403 368 7316	CERAMIC 10U K 6.3V
C9213	403 343 3715	CERAMIC 0.1U Z 25V	C9297	403 343 3715	CERAMIC 0.1U Z 25V
C9214	403 343 3715	CERAMIC 0.1U Z 25V	C9298	403 398 4118	ELECT 47U M 16V
C9215	403 343 3715	CERAMIC 0.1U Z 25V	C9299	403 358 3212	CERAMIC 10U K 6.3V
C9216	403 343 3715	CERAMIC 0.1U Z 25V		403 368 7316	CERAMIC 10U K 6.3V
C9217	403 343 3715	CERAMIC 0.1U Z 25V	C9804	403 276 1314	CERAMIC 1000P K 50V
C9218	403 343 3715	CERAMIC 0.1U Z 25V	C9811	403 343 3715	CERAMIC 0.1U Z 25V
C9219	403 343 3715	CERAMIC 0.1U Z 25V	C9812	403 401 4913	ELECT 4.7U M 50V
C9221	403 343 3715	CERAMIC 0.1U Z 25V	C9821	403 343 3715	CERAMIC 0.1U Z 25V
C9223	403 343 3715	CERAMIC 0.1U Z 25V	C9822	403 343 3715	CERAMIC 0.1U Z 25V
C9224	403 343 3715	CERAMIC 0.1U Z 25V	C9823	403 343 3715	CERAMIC 0.1U Z 25V
C9226	403 343 3715	CERAMIC 0.1U Z 25V	C9824	403 343 3715	CERAMIC 0.1U Z 25V
C9228	403 343 3715	CERAMIC 0.1U Z 25V	C9827	403 276 1314	CERAMIC 1000P K 50V
C9229	403 343 3715	CERAMIC 0.1U Z 25V	RESISTOR		
C9231	403 343 3715	CERAMIC 0.1U Z 25V	R1201	401 225 8117	MT-GLAZE 10 JA 1/16W
C9232	403 343 3715	CERAMIC 0.1U Z 25V	R1202	401 226 1513	MT-GLAZE 0.000 ZA 1/16W
C9233	403 343 3715	CERAMIC 0.1U Z 25V	R1203	401 226 1513	MT-GLAZE 0.000 ZA 1/16W
C9234	403 343 3715	CERAMIC 0.1U Z 25V	R1204	401 226 1513	MT-GLAZE 0.000 ZA 1/16W
C9236	403 343 3715	CERAMIC 0.1U Z 25V	R1207	401 226 1513	MT-GLAZE 0.000 ZA 1/16W
C9237	403 343 3715	CERAMIC 0.1U Z 25V	R1209	401 226 1513	MT-GLAZE 0.000 ZA 1/16W
C9238	403 343 3715	CERAMIC 0.1U Z 25V	R1212	401 226 1513	MT-GLAZE 0.000 ZA 1/16W
C9239	403 343 3715	CERAMIC 0.1U Z 25V	R1213	401 226 1513	MT-GLAZE 0.000 ZA 1/16W
C9241	403 358 3212	CERAMIC 10U K 6.3V	R1214	401 225 1217	MT-GLAZE 4.7K JA 1/16W
	403 368 7316	CERAMIC 10U K 6.3V	R1216	401 226 1513	MT-GLAZE 0.000 ZA 1/16W
C9242	403 343 3715	CERAMIC 0.1U Z 25V	R1219	401 225 8018	MT-GLAZE 330 JA 1/16W
C9243	403 343 3715	CERAMIC 0.1U Z 25V	R1221	401 226 1513	MT-GLAZE 0.000 ZA 1/16W
C9244	403 343 3715	CERAMIC 0.1U Z 25V	R1222	401 226 1513	MT-GLAZE 0.000 ZA 1/16W
C9246	403 343 3715	CERAMIC 0.1U Z 25V	R1227	401 272 7811	MT-GLAZE 100 FA 1/16W
C9247	403 343 3715	CERAMIC 0.1U Z 25V	R1228	401 272 7811	MT-GLAZE 100 FA 1/16W
C9248	403 343 3715	CERAMIC 0.1U Z 25V	R1229	401 272 7811	MT-GLAZE 100 FA 1/16W
C9249	403 343 3715	CERAMIC 0.1U Z 25V	R1231	401 272 7811	MT-GLAZE 100 FA 1/16W
C9251	403 343 3715	CERAMIC 0.1U Z 25V	R1232	401 272 7811	MT-GLAZE 100 FA 1/16W
C9252	403 343 3715	CERAMIC 0.1U Z 25V	R1234	401 226 1513	MT-GLAZE 0.000 ZA 1/16W
C9253	403 358 3212	CERAMIC 10U K 6.3V	R1236	401 226 5412	MT-GLAZE 56 JA 1/16W
	403 368 7316	CERAMIC 10U K 6.3V	R1237	401 225 1217	MT-GLAZE 4.7K JA 1/16W
C9254	403 358 3212	CERAMIC 10U K 6.3V	R1238	401 226 5412	MT-GLAZE 56 JA 1/16W
	403 368 7316	CERAMIC 10U K 6.3V	R1239	401 226 5412	MT-GLAZE 56 JA 1/16W
C9256	403 343 3715	CERAMIC 0.1U Z 25V	R1241	401 226 5412	MT-GLAZE 56 JA 1/16W
C9257	403 343 3715	CERAMIC 0.1U Z 25V	R1242	401 226 1513	MT-GLAZE 0.000 ZA 1/16W
C9258	403 343 3715	CERAMIC 0.1U Z 25V	R1243	401 225 1217	MT-GLAZE 4.7K JA 1/16W
C9261	403 343 3715	CERAMIC 0.1U Z 25V	R1244	401 225 1217	MT-GLAZE 4.7K JA 1/16W
C9262	403 343 3715	CERAMIC 0.1U Z 25V	R1246	401 225 1217	MT-GLAZE 4.7K JA 1/16W
C9263	403 343 3715	CERAMIC 0.1U Z 25V	R1247	401 225 1217	MT-GLAZE 4.7K JA 1/16W
C9264	403 343 3715	CERAMIC 0.1U Z 25V	R1251	401 224 9016	MT-GLAZE 10K JA 1/16W
C9266	403 343 3715	CERAMIC 0.1U Z 25V	R1254	401 226 1513	MT-GLAZE 0.000 ZA 1/16W
C9267	403 358 3212	CERAMIC 10U K 6.3V	R1256	401 224 9016	MT-GLAZE 10K JA 1/16W
	403 368 7316	CERAMIC 10U K 6.3V	R1257	401 263 6925	MT-GLAZE 2K JA 1/16W
C9268	403 343 3715	CERAMIC 0.1U Z 25V	R1258	401 226 1513	MT-GLAZE 0.000 ZA 1/16W
C9269	403 343 3715	CERAMIC 0.1U Z 25V	R1281	401 226 1513	MT-GLAZE 0.000 ZA 1/16W
C9271	403 343 3715	CERAMIC 0.1U Z 25V	R1282	401 226 1513	MT-GLAZE 0.000 ZA 1/16W
C9272	403 343 3715	CERAMIC 0.1U Z 25V	R1303	401 224 9313	MT-GLAZE 1K JA 1/16W

Electrical Parts List

Key No.	Part No.	Description	Key No.	Part No.	Description
R1304	401 224 9313	MT-GLAZE 1K JA 1/16W	R1809	401 226 1513	MT-GLAZE 0.000 ZA 1/16W
R1305	401 226 1513	MT-GLAZE 0.000 ZA 1/16W	R1811	401 224 9016	MT-GLAZE 10K JA 1/16W
R1306	401 226 1513	MT-GLAZE 0.000 ZA 1/16W	R1813	401 226 1513	MT-GLAZE 0.000 ZA 1/16W
R1307	401 224 9016	MT-GLAZE 10K JA 1/16W	R1814	401 224 9016	MT-GLAZE 10K JA 1/16W
R1308	401 224 9016	MT-GLAZE 10K JA 1/16W	R1816	401 225 1217	MT-GLAZE 4.7K JA 1/16W
R1309	401 224 9016	MT-GLAZE 10K JA 1/16W	R1817	401 224 9016	MT-GLAZE 10K JA 1/16W
R1311	401 224 9016	MT-GLAZE 10K JA 1/16W	R1818	401 226 1513	MT-GLAZE 0.000 ZA 1/16W
R1312	401 225 8513	MT-GLAZE 1.8K JA 1/16W	R1821	401 226 1513	MT-GLAZE 0.000 ZA 1/16W
R1313	401 224 9016	MT-GLAZE 10K JA 1/16W	R1822	401 226 1513	MT-GLAZE 0.000 ZA 1/16W
R1316	401 226 1513	MT-GLAZE 0.000 ZA 1/16W	R1823	401 226 1513	MT-GLAZE 0.000 ZA 1/16W
R1333	401 225 0210	MT-GLAZE 3.3K JA 1/16W	R1824	401 226 1513	MT-GLAZE 0.000 ZA 1/16W
R1338	401 224 9313	MT-GLAZE 1K JA 1/16W	R1826	401 226 1513	MT-GLAZE 0.000 ZA 1/16W
R1339	401 224 9016	MT-GLAZE 10K JA 1/16W	R1827	401 226 1513	MT-GLAZE 0.000 ZA 1/16W
R1343	401 301 0417	MT-GLAZE 240 FA 1/16W	R1829	401 226 1513	MT-GLAZE 0.000 ZA 1/16W
R1344	401 302 5411	MT-GLAZE 220 FA 1/16W	R1830	401 224 9016	MT-GLAZE 10K JA 1/16W
R1345	401 294 3112	MT-GLAZE 1K FA 1/16W	R1831	401 226 1513	MT-GLAZE 0.000 ZA 1/16W
R1346	401 294 2917	MT-GLAZE 560 FA 1/16W	R1832	401 226 1513	MT-GLAZE 0.000 ZA 1/16W
R1347	401 294 2917	MT-GLAZE 560 FA 1/16W	R1833	401 226 1513	MT-GLAZE 0.000 ZA 1/16W
R1348	401 294 3112	MT-GLAZE 1K FA 1/16W	R1835	401 225 1217	MT-GLAZE 4.7K JA 1/16W
R1349	401 226 1513	MT-GLAZE 0.000 ZA 1/16W	R1836	401 226 1513	MT-GLAZE 0.000 ZA 1/16W
R1352	401 226 1513	MT-GLAZE 0.000 ZA 1/16W	R1837	401 226 1513	MT-GLAZE 0.000 ZA 1/16W
R1371	401 225 1217	MT-GLAZE 4.7K JA 1/16W	R1838	401 226 1513	MT-GLAZE 0.000 ZA 1/16W
R1372	401 226 1513	MT-GLAZE 0.000 ZA 1/16W	R1839	401 226 1513	MT-GLAZE 0.000 ZA 1/16W
R1373	401 226 1513	MT-GLAZE 0.000 ZA 1/16W	R1841	401 226 1513	MT-GLAZE 0.000 ZA 1/16W
R1374	401 226 1513	MT-GLAZE 0.000 ZA 1/16W	R1842	401 226 1513	MT-GLAZE 0.000 ZA 1/16W
R1375	401 226 1513	MT-GLAZE 0.000 ZA 1/16W	R1843	401 226 1513	MT-GLAZE 0.000 ZA 1/16W
R1377	401 226 1513	MT-GLAZE 0.000 ZA 1/16W	R1846	401 226 1513	MT-GLAZE 0.000 ZA 1/16W
R1379	401 226 1513	MT-GLAZE 0.000 ZA 1/16W	R1847	401 226 1513	MT-GLAZE 0.000 ZA 1/16W
R1387	401 226 1513	MT-GLAZE 0.000 ZA 1/16W	R1848	401 226 1513	MT-GLAZE 0.000 ZA 1/16W
R1394	401 226 1513	MT-GLAZE 0.000 ZA 1/16W	R1850	401 235 1412	MT-GLAZE 1.2K JA 1/16W
R1397	401 224 9016	MT-GLAZE 10K JA 1/16W	R1853	401 224 9511	MT-GLAZE 2.2K JA 1/16W
R1398	401 224 9016	MT-GLAZE 10K JA 1/16W	R1854	401 226 1513	MT-GLAZE 0.000 ZA 1/16W
R1406	401 224 9313	MT-GLAZE 1K JA 1/16W	R1855	401 226 1513	MT-GLAZE 0.000 ZA 1/16W
R1407	401 224 9313	MT-GLAZE 1K JA 1/16W	R1857	401 224 9313	MT-GLAZE 1K JA 1/16W
R1411	401 226 1513	MT-GLAZE 0.000 ZA 1/16W	R1858	401 224 9511	MT-GLAZE 2.2K JA 1/16W
R1412	401 226 1513	MT-GLAZE 0.000 ZA 1/16W	R1859	401 226 1513	MT-GLAZE 0.000 ZA 1/16W
R1416	401 226 1513	MT-GLAZE 0.000 ZA 1/16W	R1860	401 235 1412	MT-GLAZE 1.2K JA 1/16W
R1418	401 226 1513	MT-GLAZE 0.000 ZA 1/16W	R1861	401 226 1513	MT-GLAZE 0.000 ZA 1/16W
R1421	401 224 9016	MT-GLAZE 10K JA 1/16W	R1862	401 224 9016	MT-GLAZE 10K JA 1/16W
R1434	401 225 8117	MT-GLAZE 10 JA 1/16W	R1863	401 224 9016	MT-GLAZE 10K JA 1/16W
R1436	401 225 8117	MT-GLAZE 10 JA 1/16W	R1864	401 226 1513	MT-GLAZE 0.000 ZA 1/16W
R1437	401 225 8117	MT-GLAZE 10 JA 1/16W	R1868	401 226 1513	MT-GLAZE 0.000 ZA 1/16W
R1501	401 226 1513	MT-GLAZE 0.000 ZA 1/16W	R1871	401 226 1513	MT-GLAZE 0.000 ZA 1/16W
R1502	401 226 1513	MT-GLAZE 0.000 ZA 1/16W	R1872	401 226 1513	MT-GLAZE 0.000 ZA 1/16W
R1503	401 225 8117	MT-GLAZE 10 JA 1/16W	R1874	401 226 1513	MT-GLAZE 0.000 ZA 1/16W
R1504	401 225 8117	MT-GLAZE 10 JA 1/16W	R1881	401 226 1513	MT-GLAZE 0.000 ZA 1/16W
R1506	401 225 8117	MT-GLAZE 10 JA 1/16W	R1882	401 226 1513	MT-GLAZE 0.000 ZA 1/16W
R1507	401 226 1513	MT-GLAZE 0.000 ZA 1/16W	R1883	401 226 1513	MT-GLAZE 0.000 ZA 1/16W
R1508	401 226 1513	MT-GLAZE 0.000 ZA 1/16W	R1884	401 226 1513	MT-GLAZE 0.000 ZA 1/16W
R1513	401 224 9313	MT-GLAZE 1K JA 1/16W	R1886	401 226 1513	MT-GLAZE 0.000 ZA 1/16W
R1514	401 224 9313	MT-GLAZE 1K JA 1/16W	R201	401 224 9719	MT-GLAZE 22 JA 1/16W
R1531	401 226 1513	MT-GLAZE 0.000 ZA 1/16W	R202	401 235 2112	MT-GLAZE 82 JA 1/16W
R1532	401 226 1513	MT-GLAZE 0.000 ZA 1/16W	R204	401 226 1513	MT-GLAZE 0.000 ZA 1/16W
R1533	401 225 8117	MT-GLAZE 10 JA 1/16W	R206	401 235 2112	MT-GLAZE 82 JA 1/16W
R1534	401 225 8117	MT-GLAZE 10 JA 1/16W	R210	401 226 1513	MT-GLAZE 0.000 ZA 1/16W
R1536	401 225 8117	MT-GLAZE 10 JA 1/16W	R211	401 224 9719	MT-GLAZE 22 JA 1/16W
R1538	401 226 1513	MT-GLAZE 0.000 ZA 1/16W	R212	401 235 2112	MT-GLAZE 82 JA 1/16W
R1543	401 224 9313	MT-GLAZE 1K JA 1/16W	R214	401 226 1513	MT-GLAZE 0.000 ZA 1/16W
R1548	401 224 9313	MT-GLAZE 1K JA 1/16W	R216	401 235 2112	MT-GLAZE 82 JA 1/16W
R1561	401 226 1513	MT-GLAZE 0.000 ZA 1/16W	R220	401 226 1513	MT-GLAZE 0.000 ZA 1/16W
R1562	401 226 1513	MT-GLAZE 0.000 ZA 1/16W	R2200	401 263 6925	MT-GLAZE 2K JA 1/16W
R1563	401 225 8117	MT-GLAZE 10 JA 1/16W	R2201	401 224 9115	MT-GLAZE 150 JA 1/16W
R1564	401 225 8117	MT-GLAZE 10 JA 1/16W	R2202	401 224 9214	MT-GLAZE 15K JA 1/16W
R1566	401 225 8117	MT-GLAZE 10 JA 1/16W	R2203	401 224 9214	MT-GLAZE 15K JA 1/16W
R1568	401 226 1513	MT-GLAZE 0.000 ZA 1/16W	R2204	401 225 1316	MT-GLAZE 470 JA 1/16W
R1569	401 226 1513	MT-GLAZE 0.000 ZA 1/16W	R2205	401 301 3517	MT-GLAZE 200 JA 1/16W
R1574	401 224 9313	MT-GLAZE 1K JA 1/16W	R2206	401 225 1316	MT-GLAZE 470 JA 1/16W
R1576	401 224 9313	MT-GLAZE 1K JA 1/16W	R2207	401 225 1316	MT-GLAZE 470 JA 1/16W
R1801	401 225 8117	MT-GLAZE 10 JA 1/16W	R2208	401 224 9313	MT-GLAZE 1K JA 1/16W
R1801TM	401 024 7430	CARBON 10K JA 1/6W	R2209	401 224 9313	MT-GLAZE 1K JA 1/16W
R1802	401 225 8117	MT-GLAZE 10 JA 1/16W	R221	401 224 9719	MT-GLAZE 22 JA 1/16W
R1803	401 225 1217	MT-GLAZE 4.7K JA 1/16W	R2210	401 263 6925	MT-GLAZE 2K JA 1/16W
R1804	401 225 1217	MT-GLAZE 4.7K JA 1/16W	R2211	401 224 9115	MT-GLAZE 150 JA 1/16W
R1806	401 224 9016	MT-GLAZE 10K JA 1/16W	R2212	401 224 9214	MT-GLAZE 15K JA 1/16W

Key No.	Part No.	Description	Key No.	Part No.	Description
R2213	401 224 9214	MT-GLAZE 15K JA 1/16W	R281	401 225 8117	MT-GLAZE 10 JA 1/16W
R2214	401 225 1316	MT-GLAZE 470 JA 1/16W	R2811	401 224 9313	MT-GLAZE 1K JA 1/16W
R2215	401 301 3517	MT-GLAZE 200 JA 1/16W	R2814	401 224 9016	MT-GLAZE 10K JA 1/16W
R2216	401 225 1316	MT-GLAZE 470 JA 1/16W	R2815	401 226 1513	MT-GLAZE 0.000 ZA 1/16W
R2217	401 225 1316	MT-GLAZE 470 JA 1/16W	R2816	401 224 8811	MT-GLAZE 100 JA 1/16W
R2218	401 224 9313	MT-GLAZE 1K JA 1/16W	R2818	401 226 1513	MT-GLAZE 0.000 ZA 1/16W
R2219	401 224 9313	MT-GLAZE 1K JA 1/16W	R2819	401 226 1513	MT-GLAZE 0.000 ZA 1/16W
R222	401 235 2112	MT-GLAZE 82 JA 1/16W	R282	401 225 8117	MT-GLAZE 10 JA 1/16W
R224	401 226 1513	MT-GLAZE 0.000 ZA 1/16W	R2822	401 224 9313	MT-GLAZE 1K JA 1/16W
R226	401 235 2112	MT-GLAZE 82 JA 1/16W	R2823	401 224 9016	MT-GLAZE 10K JA 1/16W
R230	401 226 1513	MT-GLAZE 0.000 ZA 1/16W	R2824	401 224 9016	MT-GLAZE 10K JA 1/16W
R231	401 226 5511	MT-GLAZE 120 JA 1/16W	R283	401 225 8117	MT-GLAZE 10 JA 1/16W
R232	401 226 5511	MT-GLAZE 120 JA 1/16W	R284	401 224 9016	MT-GLAZE 10K JA 1/16W
R233	401 226 5511	MT-GLAZE 120 JA 1/16W	R285	401 225 8117	MT-GLAZE 10 JA 1/16W
R234	401 226 5511	MT-GLAZE 120 JA 1/16W	R286	401 224 9016	MT-GLAZE 10K JA 1/16W
R236	401 226 5511	MT-GLAZE 120 JA 1/16W	R288	401 224 9016	MT-GLAZE 10K JA 1/16W
R237	401 226 5511	MT-GLAZE 120 JA 1/16W	R289	401 224 9016	MT-GLAZE 10K JA 1/16W
R241	401 225 1613	MT-GLAZE 390 JA 1/16W	R291	401 226 1513	MT-GLAZE 0.000 ZA 1/16W
R242	401 225 8513	MT-GLAZE 1.8K JA 1/16W	R301	401 224 9719	MT-GLAZE 22 JA 1/16W
R243	401 225 1613	MT-GLAZE 390 JA 1/16W	R302	401 224 9719	MT-GLAZE 22 JA 1/16W
R244	401 225 8513	MT-GLAZE 1.8K JA 1/16W	R303	401 224 9719	MT-GLAZE 22 JA 1/16W
R246	401 225 1613	MT-GLAZE 390 JA 1/16W	R304	401 224 9719	MT-GLAZE 22 JA 1/16W
R247	401 225 8513	MT-GLAZE 1.8K JA 1/16W	R305	401 226 1513	MT-GLAZE 0.000 ZA 1/16W
R248	401 224 9610	MT-GLAZE 2.7K JA 1/16W	R306	401 224 9719	MT-GLAZE 22 JA 1/16W
R249	401 225 1514	MT-GLAZE 3.9K JA 1/16W	R307	401 224 9719	MT-GLAZE 22 JA 1/16W
R2501	401 224 9719	MT-GLAZE 22 JA 1/16W	R308	401 225 8117	MT-GLAZE 10 JA 1/16W
R2502	401 277 7212	MT-GLAZE 470 JA 1/3W	R312	401 224 9016	MT-GLAZE 10K JA 1/16W
R2503	401 277 7212	MT-GLAZE 470 JA 1/3W	R314	401 226 1513	MT-GLAZE 0.000 ZA 1/16W
R2504	401 224 9719	MT-GLAZE 22 JA 1/16W	R315	401 226 1513	MT-GLAZE 0.000 ZA 1/16W
R2506	401 224 9719	MT-GLAZE 22 JA 1/16W	R316	401 226 1513	MT-GLAZE 0.000 ZA 1/16W
R2507	401 228 4512	MT-GLAZE 2.2 JA 1/16W	R319	401 226 1513	MT-GLAZE 0.000 ZA 1/16W
R2508	401 228 4512	MT-GLAZE 2.2 JA 1/16W	R3200	401 226 1513	MT-GLAZE 0.000 ZA 1/16W
R251	401 224 9610	MT-GLAZE 2.7K JA 1/16W	R3202	401 226 1513	MT-GLAZE 0.000 ZA 1/16W
R252	401 225 1514	MT-GLAZE 3.9K JA 1/16W	R3203	401 226 1513	MT-GLAZE 0.000 ZA 1/16W
R2523	401 226 1513	MT-GLAZE 0.000 ZA 1/16W	R3206	401 226 1513	MT-GLAZE 0.000 ZA 1/16W
R253	401 224 9610	MT-GLAZE 2.7K JA 1/16W	R3207	401 226 1513	MT-GLAZE 0.000 ZA 1/16W
R2531	401 224 9719	MT-GLAZE 22 JA 1/16W	R3209	401 226 1513	MT-GLAZE 0.000 ZA 1/16W
R2532	401 277 7212	MT-GLAZE 470 JA 1/3W	R321	401 226 1513	MT-GLAZE 0.000 ZA 1/16W
R2533	401 277 7212	MT-GLAZE 470 JA 1/3W	R3210	401 226 1513	MT-GLAZE 0.000 ZA 1/16W
R2534	401 224 9719	MT-GLAZE 22 JA 1/16W	R3212	401 226 1513	MT-GLAZE 0.000 ZA 1/16W
R2536	401 224 9719	MT-GLAZE 22 JA 1/16W	R3214	401 226 1513	MT-GLAZE 0.000 ZA 1/16W
R2537	401 228 4512	MT-GLAZE 2.2 JA 1/16W	R3216	401 226 1513	MT-GLAZE 0.000 ZA 1/16W
R2538	401 228 4512	MT-GLAZE 2.2 JA 1/16W	R3218	401 226 1513	MT-GLAZE 0.000 ZA 1/16W
R254	401 225 1514	MT-GLAZE 3.9K JA 1/16W	R322	401 226 1513	MT-GLAZE 0.000 ZA 1/16W
R256	401 226 1513	MT-GLAZE 0.000 ZA 1/16W	R3220	401 226 1513	MT-GLAZE 0.000 ZA 1/16W
R2561	401 224 9719	MT-GLAZE 22 JA 1/16W	R3223	401 224 9016	MT-GLAZE 10K JA 1/16W
R2562	401 277 7212	MT-GLAZE 470 JA 1/3W	R3225	401 224 9016	MT-GLAZE 10K JA 1/16W
R2563	401 277 7212	MT-GLAZE 470 JA 1/3W	R323	401 226 1513	MT-GLAZE 0.000 ZA 1/16W
R2564	401 224 9719	MT-GLAZE 22 JA 1/16W	R3231	401 226 1513	MT-GLAZE 0.000 ZA 1/16W
R2566	401 224 9719	MT-GLAZE 22 JA 1/16W	R3232	401 226 1513	MT-GLAZE 0.000 ZA 1/16W
R2567	401 228 4512	MT-GLAZE 2.2 JA 1/16W	R3236	401 225 0616	MT-GLAZE 5.6K JA 1/16W
R2568	401 228 4512	MT-GLAZE 2.2 JA 1/16W	R3237	401 284 3511	MT-GLAZE 360 JA 1/16W
R2586	401 226 1513	MT-GLAZE 0.000 ZA 1/16W	R324	401 226 1513	MT-GLAZE 0.000 ZA 1/16W
R2593	401 226 1513	MT-GLAZE 0.000 ZA 1/16W	R3241	401 225 8117	MT-GLAZE 10 JA 1/16W
R261	401 224 9313	MT-GLAZE 1K JA 1/16W	R3242	401 225 8117	MT-GLAZE 10 JA 1/16W
R262	401 224 9313	MT-GLAZE 1K JA 1/16W	R3246	401 225 8117	MT-GLAZE 10 JA 1/16W
R263	401 224 9412	MT-GLAZE 1M JA 1/16W	R3247	401 225 8117	MT-GLAZE 10 JA 1/16W
R264	401 224 9511	MT-GLAZE 2.2K JA 1/16W	R325	401 226 1513	MT-GLAZE 0.000 ZA 1/16W
R265	401 224 9511	MT-GLAZE 2.2K JA 1/16W	R3250	401 224 9016	MT-GLAZE 10K JA 1/16W
R266	401 225 1217	MT-GLAZE 4.7K JA 1/16W	R3251	401 226 1513	MT-GLAZE 0.000 ZA 1/16W
R267	401 224 8811	MT-GLAZE 100 JA 1/16W	R3252	401 226 1513	MT-GLAZE 0.000 ZA 1/16W
R268	401 224 9313	MT-GLAZE 1K JA 1/16W	R3253	401 226 1513	MT-GLAZE 0.000 ZA 1/16W
R269	401 224 8811	MT-GLAZE 100 JA 1/16W	R3254	401 226 1513	MT-GLAZE 0.000 ZA 1/16W
R271	401 226 1513	MT-GLAZE 0.000 ZA 1/16W	R3255	401 226 1513	MT-GLAZE 0.000 ZA 1/16W
R276	401 225 8117	MT-GLAZE 10 JA 1/16W	R3256	401 226 1513	MT-GLAZE 0.000 ZA 1/16W
R277	401 224 9313	MT-GLAZE 1K JA 1/16W	R3257	401 226 1513	MT-GLAZE 0.000 ZA 1/16W
R278	401 224 9313	MT-GLAZE 1K JA 1/16W	R3258	401 226 1513	MT-GLAZE 0.000 ZA 1/16W
R279	401 224 9313	MT-GLAZE 1K JA 1/16W	R3259	401 226 1513	MT-GLAZE 0.000 ZA 1/16W
R2801	401 226 1513	MT-GLAZE 0.000 ZA 1/16W	R326	401 224 9016	MT-GLAZE 10K JA 1/16W
R2802	401 224 9016	MT-GLAZE 10K JA 1/16W	R3261	401 226 1513	MT-GLAZE 0.000 ZA 1/16W
R2805	401 226 1513	MT-GLAZE 0.000 ZA 1/16W	R327	401 224 9016	MT-GLAZE 10K JA 1/16W
R2806	401 226 1513	MT-GLAZE 0.000 ZA 1/16W	R3281	401 035 4118	MT-GLAZE 0.000 ZA 1/8W
R2808	401 225 8117	MT-GLAZE 10 JA 1/16W	R3283	401 226 1513	MT-GLAZE 0.000 ZA 1/16W
R2809	401 226 1513	MT-GLAZE 0.000 ZA 1/16W	R3284	401 035 4118	MT-GLAZE 0.000 ZA 1/8W

Electrical Parts List

Key No.	Part No.	Description	Key No.	Part No.	Description
R329	401 224 9016	MT-GLAZE 10K JA 1/16W	R408	401 226 1513	MT-GLAZE 0.000 ZA 1/16W
R3291	401 226 1513	MT-GLAZE 0.000 ZA 1/16W	R412	401 226 1513	MT-GLAZE 0.000 ZA 1/16W
R332	401 226 1513	MT-GLAZE 0.000 ZA 1/16W	R413	401 226 1513	MT-GLAZE 0.000 ZA 1/16W
R334	401 225 1217	MT-GLAZE 4.7K JA 1/16W	R414	401 226 1513	MT-GLAZE 0.000 ZA 1/16W
R336	401 225 1217	MT-GLAZE 4.7K JA 1/16W	R416	401 224 9016	MT-GLAZE 10K JA 1/16W
R338	401 225 8117	MT-GLAZE 10 JA 1/16W	R417	401 224 8811	MT-GLAZE 100 JA 1/16W
R339	401 225 8117	MT-GLAZE 10 JA 1/16W	R418	401 224 8811	MT-GLAZE 100 JA 1/16W
R3401	401 035 4118	MT-GLAZE 0.000 ZA 1/8W	R419	401 224 9016	MT-GLAZE 10K JA 1/16W
R3402	401 224 8811	MT-GLAZE 100 JA 1/16W	R421	401 225 8117	MT-GLAZE 10 JA 1/16W
R3403	401 224 8811	MT-GLAZE 100 JA 1/16W	R422	401 224 9313	MT-GLAZE 1K JA 1/16W
R3404	401 224 9313	MT-GLAZE 1K JA 1/16W	R426	401 224 9313	MT-GLAZE 1K JA 1/16W
R3406	401 224 9016	MT-GLAZE 10K JA 1/16W	R428	401 226 1513	MT-GLAZE 0.000 ZA 1/16W
R341	401 225 8117	MT-GLAZE 10 JA 1/16W	R429	401 225 8117	MT-GLAZE 10 JA 1/16W
R3412	401 224 9016	MT-GLAZE 10K JA 1/16W	R431	401 225 8117	MT-GLAZE 10 JA 1/16W
R3413	401 224 9016	MT-GLAZE 10K JA 1/16W	R432	401 225 8117	MT-GLAZE 10 JA 1/16W
R3414	401 224 9016	MT-GLAZE 10K JA 1/16W	R433	401 225 8117	MT-GLAZE 10 JA 1/16W
R3416	401 224 9016	MT-GLAZE 10K JA 1/16W	R437	401 226 1513	MT-GLAZE 0.000 ZA 1/16W
R3417	401 224 9313	MT-GLAZE 1K JA 1/16W	R438	401 226 1513	MT-GLAZE 0.000 ZA 1/16W
R342	401 224 9016	MT-GLAZE 10K JA 1/16W	R4405	401 224 9016	MT-GLAZE 10K JA 1/16W
R3423	401 226 1513	MT-GLAZE 0.000 ZA 1/16W	R4406	401 224 9313	MT-GLAZE 1K JA 1/16W
R3424	401 226 1513	MT-GLAZE 0.000 ZA 1/16W	R4407	401 226 1513	MT-GLAZE 0.000 ZA 1/16W
R3426	401 224 8811	MT-GLAZE 100 JA 1/16W	R4411	401 225 8117	MT-GLAZE 10 JA 1/16W
R3427	401 224 8811	MT-GLAZE 100 JA 1/16W	R4412	401 224 9313	MT-GLAZE 1K JA 1/16W
R3428	401 224 8811	MT-GLAZE 100 JA 1/16W	R4413	401 224 9313	MT-GLAZE 1K JA 1/16W
R3429	401 224 8811	MT-GLAZE 100 JA 1/16W	R4414	401 225 8117	MT-GLAZE 10 JA 1/16W
R343	401 225 8117	MT-GLAZE 10 JA 1/16W	R4416	401 224 9313	MT-GLAZE 1K JA 1/16W
R344	401 225 8117	MT-GLAZE 10 JA 1/16W	R4417	401 224 9313	MT-GLAZE 1K JA 1/16W
R345	401 225 8117	MT-GLAZE 10 JA 1/16W	R4418	401 224 9313	MT-GLAZE 1K JA 1/16W
R346	401 226 1513	MT-GLAZE 0.000 ZA 1/16W	R4419	401 224 9313	MT-GLAZE 1K JA 1/16W
R347	401 225 8117	MT-GLAZE 10 JA 1/16W	R442	401 226 1513	MT-GLAZE 0.000 ZA 1/16W
R348	401 225 8117	MT-GLAZE 10 JA 1/16W	R4421	401 224 9016	MT-GLAZE 10K JA 1/16W
R349	401 225 8117	MT-GLAZE 10 JA 1/16W	R4422	401 225 1217	MT-GLAZE 4.7K JA 1/16W
R350	401 225 1217	MT-GLAZE 4.7K JA 1/16W	R4423	401 226 1513	MT-GLAZE 0.000 ZA 1/16W
R351	401 225 8117	MT-GLAZE 10 JA 1/16W	R4424	401 226 1513	MT-GLAZE 0.000 ZA 1/16W
R352	401 225 1217	MT-GLAZE 4.7K JA 1/16W	R4425	401 224 9313	MT-GLAZE 1K JA 1/16W
R353	401 224 9016	MT-GLAZE 10K JA 1/16W	R4426	401 226 1513	MT-GLAZE 0.000 ZA 1/16W
R354	401 225 1217	MT-GLAZE 4.7K JA 1/16W	R4427	401 226 1513	MT-GLAZE 0.000 ZA 1/16W
R355	401 224 9016	MT-GLAZE 10K JA 1/16W	R4428	401 226 1513	MT-GLAZE 0.000 ZA 1/16W
R357	401 225 8117	MT-GLAZE 10 JA 1/16W	R4429	401 226 1513	MT-GLAZE 0.000 ZA 1/16W
R358	401 225 8117	MT-GLAZE 10 JA 1/16W	R443	401 226 1513	MT-GLAZE 0.000 ZA 1/16W
R359	401 226 1513	MT-GLAZE 0.000 ZA 1/16W	R4431	401 226 1513	MT-GLAZE 0.000 ZA 1/16W
R360	401 226 1513	MT-GLAZE 0.000 ZA 1/16W	R4432	401 226 1513	MT-GLAZE 0.000 ZA 1/16W
R361	401 226 1513	MT-GLAZE 0.000 ZA 1/16W	R4433	401 226 1513	MT-GLAZE 0.000 ZA 1/16W
R362	401 226 1513	MT-GLAZE 0.000 ZA 1/16W	R4434	401 226 1513	MT-GLAZE 0.000 ZA 1/16W
R363	401 224 9016	MT-GLAZE 10K JA 1/16W	R4435	401 224 9313	MT-GLAZE 1K JA 1/16W
R364	401 224 9412	MT-GLAZE 1M JA 1/16W	R4436	401 225 8117	MT-GLAZE 10 JA 1/16W
R365	401 225 8513	MT-GLAZE 1.8K JA 1/16W	R4437	401 226 1513	MT-GLAZE 0.000 ZA 1/16W
R366	401 225 8513	MT-GLAZE 1.8K JA 1/16W	R4438	401 226 1513	MT-GLAZE 0.000 ZA 1/16W
R368	401 224 9719	MT-GLAZE 22 JA 1/16W	R4439	401 226 1513	MT-GLAZE 0.000 ZA 1/16W
R369	401 224 9719	MT-GLAZE 22 JA 1/16W	R4441	401 225 8117	MT-GLAZE 10 JA 1/16W
R371	401 226 1513	MT-GLAZE 0.000 ZA 1/16W	R4442	401 225 8117	MT-GLAZE 10 JA 1/16W
R372	401 224 9016	MT-GLAZE 10K JA 1/16W	R4444	401 224 9313	MT-GLAZE 1K JA 1/16W
R373	401 226 1513	MT-GLAZE 0.000 ZA 1/16W	R4445	401 224 9016	MT-GLAZE 10K JA 1/16W
R374	401 224 9016	MT-GLAZE 10K JA 1/16W	R4446	401 224 9313	MT-GLAZE 1K JA 1/16W
R375	401 225 1217	MT-GLAZE 4.7K JA 1/16W	R4452	401 224 9313	MT-GLAZE 1K JA 1/16W
R377	401 226 1513	MT-GLAZE 0.000 ZA 1/16W	R4454	401 225 8117	MT-GLAZE 10 JA 1/16W
R387	401 224 9016	MT-GLAZE 10K JA 1/16W	R4455	401 226 1513	MT-GLAZE 0.000 ZA 1/16W
R388	401 224 9016	MT-GLAZE 10K JA 1/16W	R4456	401 224 9313	MT-GLAZE 1K JA 1/16W
R389	401 226 1513	MT-GLAZE 0.000 ZA 1/16W	R4458	401 224 8811	MT-GLAZE 100 JA 1/16W
R391	401 226 1513	MT-GLAZE 0.000 ZA 1/16W	R4459	401 224 9313	MT-GLAZE 1K JA 1/16W
R392	401 225 8117	MT-GLAZE 10 JA 1/16W	R4461	401 224 8811	MT-GLAZE 100 JA 1/16W
R393	401 225 8117	MT-GLAZE 10 JA 1/16W	R4462	401 224 9313	MT-GLAZE 1K JA 1/16W
R394	401 225 8117	MT-GLAZE 10 JA 1/16W	R4463	401 226 1513	MT-GLAZE 0.000 ZA 1/16W
R395	401 225 8117	MT-GLAZE 10 JA 1/16W	R4465	401 225 0210	MT-GLAZE 3.3K JA 1/16W
R396	401 226 1513	MT-GLAZE 0.000 ZA 1/16W	R4466	401 224 9016	MT-GLAZE 10K JA 1/16W
R397	401 225 1217	MT-GLAZE 4.7K JA 1/16W	R4467	401 224 9313	MT-GLAZE 1K JA 1/16W
R398	401 225 1217	MT-GLAZE 4.7K JA 1/16W	R4468	401 225 0210	MT-GLAZE 3.3K JA 1/16W
R399	401 226 1513	MT-GLAZE 0.000 ZA 1/16W	R4469	401 224 9313	MT-GLAZE 1K JA 1/16W
R401	401 226 1513	MT-GLAZE 0.000 ZA 1/16W	R447	401 226 1513	MT-GLAZE 0.000 ZA 1/16W
R402	401 226 1513	MT-GLAZE 0.000 ZA 1/16W	R4472	401 224 9313	MT-GLAZE 1K JA 1/16W
R403	401 226 1513	MT-GLAZE 0.000 ZA 1/16W	R4473	401 224 9313	MT-GLAZE 1K JA 1/16W
R404	401 226 1513	MT-GLAZE 0.000 ZA 1/16W	R4474	401 224 9313	MT-GLAZE 1K JA 1/16W
R406	401 226 1513	MT-GLAZE 0.000 ZA 1/16W	R4475	401 224 9313	MT-GLAZE 1K JA 1/16W
R407	401 226 1513	MT-GLAZE 0.000 ZA 1/16W	R4476	401 224 8811	MT-GLAZE 100 JA 1/16W

Electrical Parts List

Key No.	Part No.	Description	Key No.	Part No.	Description
R5212	401 226 1513	MT-GLAZE 0.000 ZA 1/16W	R5855	401 224 9917	MT-GLAZE 22K JA 1/16W
R5213	401 226 1513	MT-GLAZE 0.000 ZA 1/16W	R5856	401 224 9313	MT-GLAZE 1K JA 1/16W
R5214	401 226 1513	MT-GLAZE 0.000 ZA 1/16W	R5860	401 225 1316	MT-GLAZE 470 JA 1/16W
R5216	401 226 1513	MT-GLAZE 0.000 ZA 1/16W	R5861	401 225 2016	MT-GLAZE 680 JA 1/16W
R5217	401 226 1513	MT-GLAZE 0.000 ZA 1/16W	R5863	401 225 1217	MT-GLAZE 4.7K JA 1/16W
R5218	401 224 8910	MT-GLAZE 100K JA 1/16W	R5864	401 225 0616	MT-GLAZE 5.6K JA 1/16W
R5219	401 226 1513	MT-GLAZE 0.000 ZA 1/16W	R5865	401 224 8811	MT-GLAZE 100 JA 1/16W
R5221	401 225 1217	MT-GLAZE 4.7K JA 1/16W	R5867	401 224 9016	MT-GLAZE 10K JA 1/16W
R5224	401 226 1513	MT-GLAZE 0.000 ZA 1/16W	R5869	401 224 9917	MT-GLAZE 22K JA 1/16W
R5225	401 226 1513	MT-GLAZE 0.000 ZA 1/16W	R5871	401 224 9016	MT-GLAZE 10K JA 1/16W
R5226	401 226 1513	MT-GLAZE 0.000 ZA 1/16W	R5872	401 224 9214	MT-GLAZE 15K JA 1/16W
R5229	401 226 1513	MT-GLAZE 0.000 ZA 1/16W	R5873	401 224 9016	MT-GLAZE 10K JA 1/16W
R531	401 226 1513	MT-GLAZE 0.000 ZA 1/16W	R5874	401 224 9016	MT-GLAZE 10K JA 1/16W
R532	401 226 1513	MT-GLAZE 0.000 ZA 1/16W	R5876	401 225 1217	MT-GLAZE 4.7K JA 1/16W
R533	401 225 8117	MT-GLAZE 10 JA 1/16W	R5877	401 226 1513	MT-GLAZE 0.000 ZA 1/16W
R534	401 225 8117	MT-GLAZE 10 JA 1/16W	R5878	401 224 9016	MT-GLAZE 10K JA 1/16W
R536	401 225 8117	MT-GLAZE 10 JA 1/16W	R5879	401 224 9016	MT-GLAZE 10K JA 1/16W
R538	401 226 1513	MT-GLAZE 0.000 ZA 1/16W	R5881	401 224 9016	MT-GLAZE 10K JA 1/16W
R542	401 224 9313	MT-GLAZE 1K JA 1/16W	R5882	401 224 9016	MT-GLAZE 10K JA 1/16W
R543	401 225 8117	MT-GLAZE 10 JA 1/16W	R5883	401 225 1217	MT-GLAZE 4.7K JA 1/16W
R546	401 224 9313	MT-GLAZE 1K JA 1/16W	R5884	401 226 1513	MT-GLAZE 0.000 ZA 1/16W
R548	401 224 9313	MT-GLAZE 1K JA 1/16W	R5886	401 224 9016	MT-GLAZE 10K JA 1/16W
R561	401 226 1513	MT-GLAZE 0.000 ZA 1/16W	R5887	401 224 9214	MT-GLAZE 15K JA 1/16W
R562	401 226 1513	MT-GLAZE 0.000 ZA 1/16W	R5888	401 224 9016	MT-GLAZE 10K JA 1/16W
R563	401 225 8117	MT-GLAZE 10 JA 1/16W	R5889	401 224 9016	MT-GLAZE 10K JA 1/16W
R564	401 225 8117	MT-GLAZE 10 JA 1/16W	R5891	401 225 1217	MT-GLAZE 4.7K JA 1/16W
R566	401 225 8117	MT-GLAZE 10 JA 1/16W	R5892	401 226 1513	MT-GLAZE 0.000 ZA 1/16W
R568	401 226 1513	MT-GLAZE 0.000 ZA 1/16W	R5893	401 224 8811	MT-GLAZE 100 JA 1/16W
R569	401 226 1513	MT-GLAZE 0.000 ZA 1/16W	R5894	401 224 9917	MT-GLAZE 22K JA 1/16W
R572	401 224 9313	MT-GLAZE 1K JA 1/16W	R5896	401 284 3511	MT-GLAZE 360 JA 1/16W
R573	401 225 8117	MT-GLAZE 10 JA 1/16W	R5897	401 224 9313	MT-GLAZE 1K JA 1/16W
R576	401 224 9313	MT-GLAZE 1K JA 1/16W	R5898	401 284 3511	MT-GLAZE 360 JA 1/16W
R578	401 224 9313	MT-GLAZE 1K JA 1/16W	R591	401 235 0019	MT-GLAZE 7.5K JA 1/16W
R5801	401 035 4118	MT-GLAZE 0.000 ZA 1/8W	R592	401 224 9511	MT-GLAZE 2.2K JA 1/16W
R5802	401 035 4118	MT-GLAZE 0.000 ZA 1/8W	R593	401 263 6925	MT-GLAZE 2K JA 1/16W
R5803	401 035 4118	MT-GLAZE 0.000 ZA 1/8W	R594	401 224 8811	MT-GLAZE 100 JA 1/16W
R5804	401 035 4118	MT-GLAZE 0.000 ZA 1/8W	R595	401 224 8910	MT-GLAZE 100K JA 1/16W
R5805	401 035 4118	MT-GLAZE 0.000 ZA 1/8W	R596	401 227 5619	MT-GLAZE 8.2K JA 1/16W
R5806	401 035 4118	MT-GLAZE 0.000 ZA 1/8W	R597	401 224 9719	MT-GLAZE 22 JA 1/16W
R5807	401 035 4118	MT-GLAZE 0.000 ZA 1/8W	R598	401 263 6925	MT-GLAZE 2K JA 1/16W
R5808	401 226 1513	MT-GLAZE 0.000 ZA 1/16W	R599	401 224 8811	MT-GLAZE 100 JA 1/16W
R5809	401 035 4118	MT-GLAZE 0.000 ZA 1/8W	R6731	401 226 1513	MT-GLAZE 0.000 ZA 1/16W
R5811	401 299 4916	MT-GLAZE 470 FA 1/16W	R6732	401 224 9016	MT-GLAZE 10K JA 1/16W
R5812	401 226 5412	MT-GLAZE 56 JA 1/16W	R6733	401 226 1513	MT-GLAZE 0.000 ZA 1/16W
R5813	401 294 3112	MT-GLAZE 1K FA 1/16W	R6741	401 226 1513	MT-GLAZE 0.000 ZA 1/16W
R5814	401 226 1513	MT-GLAZE 0.000 ZA 1/16W	R6742	401 226 1513	MT-GLAZE 0.000 ZA 1/16W
R5816	401 224 9016	MT-GLAZE 10K JA 1/16W	R6743	401 226 1513	MT-GLAZE 0.000 ZA 1/16W
R5817	401 224 9016	MT-GLAZE 10K JA 1/16W	R6751	401 226 1513	MT-GLAZE 0.000 ZA 1/16W
R5819	401 226 1513	MT-GLAZE 0.000 ZA 1/16W	R6752	401 226 1513	MT-GLAZE 0.000 ZA 1/16W
R5823	401 226 1513	MT-GLAZE 0.000 ZA 1/16W	R6753	401 226 1513	MT-GLAZE 0.000 ZA 1/16W
R5824	401 226 1513	MT-GLAZE 0.000 ZA 1/16W	R6754	401 226 1513	MT-GLAZE 0.000 ZA 1/16W
R5826	401 224 9016	MT-GLAZE 10K JA 1/16W	R6756	401 226 1513	MT-GLAZE 0.000 ZA 1/16W
R5827	401 224 9016	MT-GLAZE 10K JA 1/16W	R6757	401 226 1513	MT-GLAZE 0.000 ZA 1/16W
R5828	401 224 9016	MT-GLAZE 10K JA 1/16W	R6758	401 226 1513	MT-GLAZE 0.000 ZA 1/16W
R5829	401 224 9016	MT-GLAZE 10K JA 1/16W	R6759	401 226 1513	MT-GLAZE 0.000 ZA 1/16W
R5831	401 225 1217	MT-GLAZE 4.7K JA 1/16W	R6762	401 226 1513	MT-GLAZE 0.000 ZA 1/16W
R5832	401 226 1513	MT-GLAZE 0.000 ZA 1/16W	R6763	401 226 1513	MT-GLAZE 0.000 ZA 1/16W
R5833	401 224 9016	MT-GLAZE 10K JA 1/16W	R6764	401 226 1513	MT-GLAZE 0.000 ZA 1/16W
R5834	401 224 9214	MT-GLAZE 15K JA 1/16W	R6771	401 226 1513	MT-GLAZE 0.000 ZA 1/16W
R5836	401 224 9016	MT-GLAZE 10K JA 1/16W	R6772	401 226 1513	MT-GLAZE 0.000 ZA 1/16W
R5837	401 224 9016	MT-GLAZE 10K JA 1/16W	R6773	401 226 1513	MT-GLAZE 0.000 ZA 1/16W
R5838	401 225 1217	MT-GLAZE 4.7K JA 1/16W	R6774	401 226 1513	MT-GLAZE 0.000 ZA 1/16W
R5839	401 226 1513	MT-GLAZE 0.000 ZA 1/16W	R6776	401 226 1513	MT-GLAZE 0.000 ZA 1/16W
R5841	401 225 0210	MT-GLAZE 3.3K JA 1/16W	R6777	401 226 1513	MT-GLAZE 0.000 ZA 1/16W
R5842	401 234 9914	MT-GLAZE 6.8K JA 1/16W	R6778	401 226 1513	MT-GLAZE 0.000 ZA 1/16W
R5843	401 225 0210	MT-GLAZE 3.3K JA 1/16W	R6779	401 226 1513	MT-GLAZE 0.000 ZA 1/16W
R5844	401 234 9914	MT-GLAZE 6.8K JA 1/16W	R6781	401 226 1513	MT-GLAZE 0.000 ZA 1/16W
R5845	401 225 0210	MT-GLAZE 3.3K JA 1/16W	R6782	401 226 1513	MT-GLAZE 0.000 ZA 1/16W
R5846	401 234 9914	MT-GLAZE 6.8K JA 1/16W	R6784	401 226 1513	MT-GLAZE 0.000 ZA 1/16W
R5847	401 226 1513	MT-GLAZE 0.000 ZA 1/16W	R6785	401 226 1513	MT-GLAZE 0.000 ZA 1/16W
R5851	401 284 3511	MT-GLAZE 360 JA 1/16W	R6786	401 226 1513	MT-GLAZE 0.000 ZA 1/16W
R5852	401 225 1316	MT-GLAZE 470 JA 1/16W	R6787	401 226 1513	MT-GLAZE 0.000 ZA 1/16W
R5853	401 284 3511	MT-GLAZE 360 JA 1/16W	R6788	401 226 1513	MT-GLAZE 0.000 ZA 1/16W
R5854	401 224 8811	MT-GLAZE 100 JA 1/16W	R6789	401 224 8811	MT-GLAZE 100 JA 1/16W

Key No.	Part No.	Description	Key No.	Part No.	Description
R6791	401 224 8811	MT-GLAZE 100 JA 1/16W	R8063	401 226 1513	MT-GLAZE 0.000 ZA 1/16W
R6792	401 224 8811	MT-GLAZE 100 JA 1/16W	R8064	401 226 1513	MT-GLAZE 0.000 ZA 1/16W
R7801	401 225 8117	MT-GLAZE 10 JA 1/16W	R8066	401 226 1513	MT-GLAZE 0.000 ZA 1/16W
R7802	401 225 8117	MT-GLAZE 10 JA 1/16W	R8067	401 226 1513	MT-GLAZE 0.000 ZA 1/16W
R7803	401 035 4118	MT-GLAZE 0.000 ZA 1/8W	R8068	401 224 9016	MT-GLAZE 10K JA 1/16W
R7805	401 035 4118	MT-GLAZE 0.000 ZA 1/8W	R8069	401 224 9016	MT-GLAZE 10K JA 1/16W
R7806	401 224 9610	MT-GLAZE 2.7K JA 1/16W	R807	401 224 9016	MT-GLAZE 10K JA 1/16W
R7807	401 224 9610	MT-GLAZE 2.7K JA 1/16W	R8071	401 226 1513	MT-GLAZE 0.000 ZA 1/16W
R7808	401 226 1513	MT-GLAZE 0.000 ZA 1/16W	R8072	401 224 9016	MT-GLAZE 10K JA 1/16W
R7809	401 226 1513	MT-GLAZE 0.000 ZA 1/16W	R8073	401 226 1513	MT-GLAZE 0.000 ZA 1/16W
R7811	401 226 1513	MT-GLAZE 0.000 ZA 1/16W	R8074	401 224 9016	MT-GLAZE 10K JA 1/16W
R7816	401 280 7919	MT-GLAZE 270 JA 1/3W	R8075	401 226 1513	MT-GLAZE 0.000 ZA 1/16W
R7817	401 224 8811	MT-GLAZE 100 JA 1/16W	R8076	401 226 1513	MT-GLAZE 0.000 ZA 1/16W
R7818	401 226 1513	MT-GLAZE 0.000 ZA 1/16W	R8077	401 226 1513	MT-GLAZE 0.000 ZA 1/16W
R7819	401 226 1513	MT-GLAZE 0.000 ZA 1/16W	R8078	401 225 1217	MT-GLAZE 4.7K JA 1/16W
R7821	401 224 9313	MT-GLAZE 1K JA 1/16W	R8079	401 225 1217	MT-GLAZE 4.7K JA 1/16W
R7823	401 224 9313	MT-GLAZE 1K JA 1/16W	R808	401 224 9016	MT-GLAZE 10K JA 1/16W
R7824	401 225 0616	MT-GLAZE 5.6K JA 1/16W	R8081	401 224 9016	MT-GLAZE 10K JA 1/16W
R7826	401 226 1513	MT-GLAZE 0.000 ZA 1/16W	R809	401 226 1513	MT-GLAZE 0.000 ZA 1/16W
R7827	401 234 9914	MT-GLAZE 6.8K JA 1/16W	R810	401 226 1513	MT-GLAZE 0.000 ZA 1/16W
R7828	401 263 6925	MT-GLAZE 2K JA 1/16W	R811	401 224 9016	MT-GLAZE 10K JA 1/16W
R7829	401 035 4118	MT-GLAZE 0.000 ZA 1/8W	R812	401 224 8811	MT-GLAZE 100 JA 1/16W
R7831	401 224 9016	MT-GLAZE 10K JA 1/16W	R813	401 224 9016	MT-GLAZE 10K JA 1/16W
R7832	401 290 1518	MT-GLAZE 0.1 JE 1/2W	R814	401 226 1513	MT-GLAZE 0.000 ZA 1/16W
R7833	401 290 1518	MT-GLAZE 0.1 JE 1/2W	R815	401 226 1513	MT-GLAZE 0.000 ZA 1/16W
R7834	401 290 1518	MT-GLAZE 0.1 JE 1/2W	R816	401 226 1513	MT-GLAZE 0.000 ZA 1/16W
R7835	401 290 1518	MT-GLAZE 0.1 JE 1/2W	R817	401 226 1513	MT-GLAZE 0.000 ZA 1/16W
R7836	401 290 1518	MT-GLAZE 0.1 JE 1/2W	R818	401 225 1217	MT-GLAZE 4.7K JA 1/16W
R7837	401 035 4118	MT-GLAZE 0.000 ZA 1/8W	R819	401 226 1513	MT-GLAZE 0.000 ZA 1/16W
R7838	401 035 4118	MT-GLAZE 0.000 ZA 1/8W	R820	401 225 1217	MT-GLAZE 4.7K JA 1/16W
R7839	401 035 4118	MT-GLAZE 0.000 ZA 1/8W	R8201	401 225 0319	MT-GLAZE 33 JA 1/16W
R7841	401 224 9313	MT-GLAZE 1K JA 1/16W	R8202	401 299 4916	MT-GLAZE 470 FA 1/16W
R7843	401 224 9313	MT-GLAZE 1K JA 1/16W	R8203	401 225 8810	MT-GLAZE 39 JA 1/16W
R7844	401 225 0616	MT-GLAZE 5.6K JA 1/16W	R8204	401 299 4817	MT-GLAZE 2.7K FA 1/16W
R7846	401 226 1513	MT-GLAZE 0.000 ZA 1/16W	R8206	401 225 8117	MT-GLAZE 10 JA 1/16W
R7847	401 234 9914	MT-GLAZE 6.8K JA 1/16W	R8207	401 225 8117	MT-GLAZE 10 JA 1/16W
R7848	401 263 6925	MT-GLAZE 2K JA 1/16W	R8208	401 225 1217	MT-GLAZE 4.7K JA 1/16W
R7851	401 290 1518	MT-GLAZE 0.1 JE 1/2W	R8209	401 225 8117	MT-GLAZE 10 JA 1/16W
R7852	401 224 9016	MT-GLAZE 10K JA 1/16W	R821	401 226 1513	MT-GLAZE 0.000 ZA 1/16W
R7861	401 224 9313	MT-GLAZE 1K JA 1/16W	R8211	401 225 8117	MT-GLAZE 10 JA 1/16W
R7863	401 224 9313	MT-GLAZE 1K JA 1/16W	R8212	401 225 1217	MT-GLAZE 4.7K JA 1/16W
R7864	401 225 0616	MT-GLAZE 5.6K JA 1/16W	R8213	401 225 8117	MT-GLAZE 10 JA 1/16W
R7867	401 234 9914	MT-GLAZE 6.8K JA 1/16W	R8214	401 225 8117	MT-GLAZE 10 JA 1/16W
R7868	401 263 6925	MT-GLAZE 2K JA 1/16W	R8216	401 225 8117	MT-GLAZE 10 JA 1/16W
R7871	401 290 1518	MT-GLAZE 0.1 JE 1/2W	R8217	401 225 8117	MT-GLAZE 10 JA 1/16W
R7872	401 224 9016	MT-GLAZE 10K JA 1/16W	R8218	401 225 8117	MT-GLAZE 10 JA 1/16W
R7881	401 224 9313	MT-GLAZE 1K JA 1/16W	R8219	401 225 8117	MT-GLAZE 10 JA 1/16W
R7883	401 224 9313	MT-GLAZE 1K JA 1/16W	R822	401 226 1513	MT-GLAZE 0.000 ZA 1/16W
R7884	401 225 0616	MT-GLAZE 5.6K JA 1/16W	R8221	401 225 8117	MT-GLAZE 10 JA 1/16W
R7886	401 226 1513	MT-GLAZE 0.000 ZA 1/16W	R8222	401 224 8811	MT-GLAZE 100 JA 1/16W
R7887	401 234 9914	MT-GLAZE 6.8K JA 1/16W	R8223	401 224 8811	MT-GLAZE 100 JA 1/16W
R7888	401 263 6925	MT-GLAZE 2K JA 1/16W	R8224	401 225 8117	MT-GLAZE 10 JA 1/16W
R7891	401 290 1518	MT-GLAZE 0.1 JE 1/2W	R8226	401 224 8811	MT-GLAZE 100 JA 1/16W
R7892	401 224 9016	MT-GLAZE 10K JA 1/16W	R823	401 226 1513	MT-GLAZE 0.000 ZA 1/16W
R801	401 229 7215	MT-GLAZE 18K JA 1/16W	R824	401 226 1513	MT-GLAZE 0.000 ZA 1/16W
R802	401 224 9016	MT-GLAZE 10K JA 1/16W	R825	401 226 1513	MT-GLAZE 0.000 ZA 1/16W
R804	401 226 1513	MT-GLAZE 0.000 ZA 1/16W	R826	401 226 1513	MT-GLAZE 0.000 ZA 1/16W
R8041	401 225 8117	MT-GLAZE 10 JA 1/16W	R827	401 224 9016	MT-GLAZE 10K JA 1/16W
R8042	401 225 8117	MT-GLAZE 10 JA 1/16W	R828	401 224 9016	MT-GLAZE 10K JA 1/16W
R8043	401 224 9016	MT-GLAZE 10K JA 1/16W	R829	401 226 1513	MT-GLAZE 0.000 ZA 1/16W
R8044	401 224 9016	MT-GLAZE 10K JA 1/16W	R830	401 225 1217	MT-GLAZE 4.7K JA 1/16W
R8046	401 226 1513	MT-GLAZE 0.000 ZA 1/16W	R832	401 226 1513	MT-GLAZE 0.000 ZA 1/16W
R8047	401 226 1513	MT-GLAZE 0.000 ZA 1/16W	R833	401 224 9016	MT-GLAZE 10K JA 1/16W
R8048	401 226 1513	MT-GLAZE 0.000 ZA 1/16W	R834	401 226 1513	MT-GLAZE 0.000 ZA 1/16W
R8049	401 226 1513	MT-GLAZE 0.000 ZA 1/16W	R835	401 225 1217	MT-GLAZE 4.7K JA 1/16W
R8051	401 226 1513	MT-GLAZE 0.000 ZA 1/16W	R836	401 226 1513	MT-GLAZE 0.000 ZA 1/16W
R8052	401 226 1513	MT-GLAZE 0.000 ZA 1/16W	R837	401 226 1513	MT-GLAZE 0.000 ZA 1/16W
R8056	401 226 1513	MT-GLAZE 0.000 ZA 1/16W	R838	401 224 9917	MT-GLAZE 22K JA 1/16W
R8057	401 226 1513	MT-GLAZE 0.000 ZA 1/16W	R839	401 226 1513	MT-GLAZE 0.000 ZA 1/16W
R8058	401 224 9016	MT-GLAZE 10K JA 1/16W	R840	401 225 1217	MT-GLAZE 4.7K JA 1/16W
R8059	401 224 9016	MT-GLAZE 10K JA 1/16W	R841	401 226 1513	MT-GLAZE 0.000 ZA 1/16W
R806	401 226 1513	MT-GLAZE 0.000 ZA 1/16W	R842	401 226 1513	MT-GLAZE 0.000 ZA 1/16W
R8061	401 226 1513	MT-GLAZE 0.000 ZA 1/16W	R843	401 226 1513	MT-GLAZE 0.000 ZA 1/16W
R8062	401 226 1513	MT-GLAZE 0.000 ZA 1/16W	R844	401 225 1217	MT-GLAZE 4.7K JA 1/16W

Electrical Parts List

Key No.	Part No.	Description	Key No.	Part No.	Description
R845	401 226 1513	MT-GLAZE 0.000 ZA 1/16W	R9231	401 275 1816	MT-GLAZE 1.1K JA 1/16W
R846	401 226 1513	MT-GLAZE 0.000 ZA 1/16W	R9232	401 224 9016	MT-GLAZE 10K JA 1/16W
R847	401 226 1513	MT-GLAZE 0.000 ZA 1/16W	R9233	401 224 9016	MT-GLAZE 10K JA 1/16W
R848	401 226 1513	MT-GLAZE 0.000 ZA 1/16W	R9234	401 224 9016	MT-GLAZE 10K JA 1/16W
R849	401 226 1513	MT-GLAZE 0.000 ZA 1/16W	R9236	401 225 0319	MT-GLAZE 33 JA 1/16W
R850	401 225 8117	MT-GLAZE 10 JA 1/16W	R9237	401 225 0319	MT-GLAZE 33 JA 1/16W
R851	401 226 1513	MT-GLAZE 0.000 ZA 1/16W	R9238	401 225 0319	MT-GLAZE 33 JA 1/16W
R853	401 226 1513	MT-GLAZE 0.000 ZA 1/16W	R9239	401 225 0319	MT-GLAZE 33 JA 1/16W
R854	401 226 1513	MT-GLAZE 0.000 ZA 1/16W	R9241	401 225 0319	MT-GLAZE 33 JA 1/16W
R855	401 225 8117	MT-GLAZE 10 JA 1/16W	R9242	401 225 0319	MT-GLAZE 33 JA 1/16W
R856	401 226 1513	MT-GLAZE 0.000 ZA 1/16W	R9243	401 225 0319	MT-GLAZE 33 JA 1/16W
R857	401 224 9412	MT-GLAZE 1M JA 1/16W	R9244	401 224 9016	MT-GLAZE 10K JA 1/16W
R858	401 224 9016	MT-GLAZE 10K JA 1/16W	R9248	401 224 9016	MT-GLAZE 10K JA 1/16W
R860	401 225 8117	MT-GLAZE 10 JA 1/16W	R9249	401 224 9016	MT-GLAZE 10K JA 1/16W
R861	401 226 1513	MT-GLAZE 0.000 ZA 1/16W	R9251	401 225 0319	MT-GLAZE 33 JA 1/16W
R862	401 224 8811	MT-GLAZE 100 JA 1/16W	R9252	401 225 0319	MT-GLAZE 33 JA 1/16W
R863	401 224 8811	MT-GLAZE 100 JA 1/16W	R9253	401 225 0319	MT-GLAZE 33 JA 1/16W
R864	401 224 9016	MT-GLAZE 10K JA 1/16W	R9254	401 225 0319	MT-GLAZE 33 JA 1/16W
R865	401 224 9016	MT-GLAZE 10K JA 1/16W	R9256	401 225 0319	MT-GLAZE 33 JA 1/16W
R866	401 226 1513	MT-GLAZE 0.000 ZA 1/16W	R9257	401 225 0319	MT-GLAZE 33 JA 1/16W
R867	401 226 1513	MT-GLAZE 0.000 ZA 1/16W	R9258	401 225 0319	MT-GLAZE 33 JA 1/16W
R868	401 224 9016	MT-GLAZE 10K JA 1/16W	R9259	401 225 0319	MT-GLAZE 33 JA 1/16W
R869	401 224 9016	MT-GLAZE 10K JA 1/16W	R9261	401 225 0319	MT-GLAZE 33 JA 1/16W
R870	401 225 8117	MT-GLAZE 10 JA 1/16W	R9262	401 224 9016	MT-GLAZE 10K JA 1/16W
R871	401 224 9016	MT-GLAZE 10K JA 1/16W	R9263	401 224 9016	MT-GLAZE 10K JA 1/16W
R872	401 224 9016	MT-GLAZE 10K JA 1/16W	R9264	401 226 1513	MT-GLAZE 0.000 ZA 1/16W
R873	401 224 9016	MT-GLAZE 10K JA 1/16W	R9265	401 225 8117	MT-GLAZE 10 JA 1/16W
R874	401 226 1513	MT-GLAZE 0.000 ZA 1/16W	R9266	401 226 1513	MT-GLAZE 0.000 ZA 1/16W
R875	401 226 1513	MT-GLAZE 0.000 ZA 1/16W	R9267	401 225 8117	MT-GLAZE 10 JA 1/16W
R876	401 226 1513	MT-GLAZE 0.000 ZA 1/16W	R9268	401 224 9719	MT-GLAZE 22 JA 1/16W
R877	401 226 1513	MT-GLAZE 0.000 ZA 1/16W	R9269	401 224 8910	MT-GLAZE 100K JA 1/16W
R878	401 224 8811	MT-GLAZE 100 JA 1/16W	R9271	401 225 0012	MT-GLAZE 270 JA 1/16W
R880	401 224 9016	MT-GLAZE 10K JA 1/16W	R9272	401 226 1513	MT-GLAZE 0.000 ZA 1/16W
R882	401 225 1217	MT-GLAZE 4.7K JA 1/16W	R9273	401 225 8018	MT-GLAZE 330 JA 1/16W
R883	401 226 1513	MT-GLAZE 0.000 ZA 1/16W	R9274	401 226 1513	MT-GLAZE 0.000 ZA 1/16W
R884	401 226 1513	MT-GLAZE 0.000 ZA 1/16W	R9276	401 226 1513	MT-GLAZE 0.000 ZA 1/16W
R885	401 224 8811	MT-GLAZE 100 JA 1/16W	R9277	401 226 1513	MT-GLAZE 0.000 ZA 1/16W
R886	401 224 8811	MT-GLAZE 100 JA 1/16W	R9278	401 226 1513	MT-GLAZE 0.000 ZA 1/16W
R887	401 224 8811	MT-GLAZE 100 JA 1/16W	R9279	401 226 1513	MT-GLAZE 0.000 ZA 1/16W
R888	401 224 9016	MT-GLAZE 10K JA 1/16W	R9281	401 226 1513	MT-GLAZE 0.000 ZA 1/16W
R890	401 224 9016	MT-GLAZE 10K JA 1/16W	R9282	401 338 8110	MT-GLAZE 1.2K FA 1/16W
R891	401 224 9016	MT-GLAZE 10K JA 1/16W	R9283	401 294 3112	MT-GLAZE 1K FA 1/16W
R892	401 224 9016	MT-GLAZE 10K JA 1/16W	R9284	401 226 1513	MT-GLAZE 0.000 ZA 1/16W
R893	401 263 6925	MT-GLAZE 2K JA 1/16W	R9285	401 226 1513	MT-GLAZE 0.000 ZA 1/16W
R894	401 225 8117	MT-GLAZE 10 JA 1/16W	R9286	401 226 1513	MT-GLAZE 0.000 ZA 1/16W
R895	401 224 9016	MT-GLAZE 10K JA 1/16W	R9287	401 226 1513	MT-GLAZE 0.000 ZA 1/16W
R896	401 226 1513	MT-GLAZE 0.000 ZA 1/16W	R9288	401 225 0319	MT-GLAZE 33 JA 1/16W
R897	401 225 1217	MT-GLAZE 4.7K JA 1/16W	R9289	401 225 0319	MT-GLAZE 33 JA 1/16W
R898	401 225 1316	MT-GLAZE 470 JA 1/16W	R9291	401 225 0319	MT-GLAZE 33 JA 1/16W
R899	401 224 9016	MT-GLAZE 10K JA 1/16W	R9292	401 224 9016	MT-GLAZE 10K JA 1/16W
R900	401 224 9016	MT-GLAZE 10K JA 1/16W	R9293	401 226 1513	MT-GLAZE 0.000 ZA 1/16W
R9201	401 226 1513	MT-GLAZE 0.000 ZA 1/16W	R9294	401 226 1513	MT-GLAZE 0.000 ZA 1/16W
R9202	401 226 1513	MT-GLAZE 0.000 ZA 1/16W	R9295	401 225 1316	MT-GLAZE 470 JA 1/16W
R9203	401 226 1513	MT-GLAZE 0.000 ZA 1/16W	R9296	401 226 1513	MT-GLAZE 0.000 ZA 1/16W
R9204	401 226 1513	MT-GLAZE 0.000 ZA 1/16W	R9299	401 225 8117	MT-GLAZE 10 JA 1/16W
R9205	401 225 8810	MT-GLAZE 39 JA 1/16W	R9813	401 225 8612	MT-GLAZE 560K JA 1/16W
R9206	401 226 1513	MT-GLAZE 0.000 ZA 1/16W	R9814	401 224 9412	MT-GLAZE 1M JA 1/16W
R9207	401 226 1513	MT-GLAZE 0.000 ZA 1/16W	R9816	401 225 3815	MT-GLAZE 1.5K JA 1/16W
R9208	401 226 1513	MT-GLAZE 0.000 ZA 1/16W	R9817	401 225 1118	MT-GLAZE 27 JA 1/16W
R9209	401 226 1513	MT-GLAZE 0.000 ZA 1/16W	R9818	401 225 1118	MT-GLAZE 27 JA 1/16W
R9211	401 226 1513	MT-GLAZE 0.000 ZA 1/16W	R9821	401 224 8910	MT-GLAZE 100K JA 1/16W
R9212	401 226 1513	MT-GLAZE 0.000 ZA 1/16W	R9822	401 224 8910	MT-GLAZE 100K JA 1/16W
R9214	401 224 9016	MT-GLAZE 10K JA 1/16W	R9823	401 226 1513	MT-GLAZE 0.000 ZA 1/16W
R9216	401 226 1513	MT-GLAZE 0.000 ZA 1/16W	R9824	401 226 1513	MT-GLAZE 0.000 ZA 1/16W
R9218	401 225 8117	MT-GLAZE 10 JA 1/16W	R9825	401 226 1513	MT-GLAZE 0.000 ZA 1/16W
R9219	401 225 8117	MT-GLAZE 10 JA 1/16W	R9826	401 226 1513	MT-GLAZE 0.000 ZA 1/16W
R9221	401 225 0319	MT-GLAZE 33 JA 1/16W	RB1201	645 036 3528	R-NETWORK 0X4 1/32W
R9222	401 224 9511	MT-GLAZE 2.2K JA 1/16W		645 037 0816	R-NETWORK 0X4 1/32W
R9223	401 226 1513	MT-GLAZE 0.000 ZA 1/16W	RB1202	645 036 3528	R-NETWORK 0X4 1/32W
R9224	401 224 9610	MT-GLAZE 2.7K JA 1/16W		645 037 0816	R-NETWORK 0X4 1/32W
R9226	401 224 9610	MT-GLAZE 2.7K JA 1/16W	RB1203	645 036 3528	R-NETWORK 0X4 1/32W
R9227	401 294 2818	MT-GLAZE 2.2K FA 1/16W		645 037 0816	R-NETWORK 0X4 1/32W
R9228	401 275 1816	MT-GLAZE 1.1K JA 1/16W	RB1204	645 036 3528	R-NETWORK 0X4 1/32W
R9229	401 294 2818	MT-GLAZE 2.2K FA 1/16W		645 037 0816	R-NETWORK 0X4 1/32W

Electrical Parts List

Key No.	Part No.	Description	Key No.	Part No.	Description
RB561	645 036 3528	R-NETWORK 0X4 1/32W	RB9212	645 036 3528	R-NETWORK 0X4 1/32W
	645 037 0816	R-NETWORK 0X4 1/32W		645 037 0816	R-NETWORK 0X4 1/32W
RB562	645 036 3528	R-NETWORK 0X4 1/32W	RB9213	645 036 0978	R-NETWORK 10KX4 1/32W
	645 037 0816	R-NETWORK 0X4 1/32W		645 028 0719	R-NETWORK 10KX4 1/32W
RB6731	645 036 3528	R-NETWORK 0X4 1/32W	RB9214	645 036 0978	R-NETWORK 10KX4 1/32W
	645 037 0816	R-NETWORK 0X4 1/32W		645 028 0719	R-NETWORK 10KX4 1/32W
RB6732	645 036 3528	R-NETWORK 0X4 1/32W	RB9216	645 036 0978	R-NETWORK 10KX4 1/32W
	645 037 0816	R-NETWORK 0X4 1/32W		645 028 0719	R-NETWORK 10KX4 1/32W
RB6733	645 036 3528	R-NETWORK 0X4 1/32W	RB9217	645 036 0978	R-NETWORK 10KX4 1/32W
	645 037 0816	R-NETWORK 0X4 1/32W		645 028 0719	R-NETWORK 10KX4 1/32W
RB6734	645 036 3528	R-NETWORK 0X4 1/32W	RB9218	645 036 0978	R-NETWORK 10KX4 1/32W
	645 037 0816	R-NETWORK 0X4 1/32W		645 028 0719	R-NETWORK 10KX4 1/32W
RB6736	645 036 3528	R-NETWORK 0X4 1/32W	RB9219	645 036 0978	R-NETWORK 10KX4 1/32W
	645 037 0816	R-NETWORK 0X4 1/32W		645 028 0719	R-NETWORK 10KX4 1/32W
RB6737	645 036 3528	R-NETWORK 0X4 1/32W	RB9221	645 049 0675	R-NETWORK 33X4 1/32W
	645 037 0816	R-NETWORK 0X4 1/32W		645 049 0699	R-NETWORK 33X4 1/32W
RB6741	645 036 3528	R-NETWORK 0X4 1/32W	RB9222	645 049 0675	R-NETWORK 33X4 1/32W
	645 037 0816	R-NETWORK 0X4 1/32W		645 049 0699	R-NETWORK 33X4 1/32W
RB6742	645 036 3528	R-NETWORK 0X4 1/32W	RB9223	645 049 0675	R-NETWORK 33X4 1/32W
	645 037 0816	R-NETWORK 0X4 1/32W		645 049 0699	R-NETWORK 33X4 1/32W
RB6743	645 036 3528	R-NETWORK 0X4 1/32W	RB9224	645 049 0675	R-NETWORK 33X4 1/32W
	645 037 0816	R-NETWORK 0X4 1/32W		645 049 0699	R-NETWORK 33X4 1/32W
RB6744	645 036 3528	R-NETWORK 0X4 1/32W	RB9226	645 036 3528	R-NETWORK 0X4 1/32W
	645 037 0816	R-NETWORK 0X4 1/32W		645 037 0816	R-NETWORK 0X4 1/32W
RB801	645 036 0992	R-NETWORK 4.7KX4 1/32W	RB9227	645 036 3528	R-NETWORK 0X4 1/32W
	645 033 1442	R-NETWORK 4.7KX4 1/32W		645 037 0816	R-NETWORK 0X4 1/32W
RB802	645 036 0992	R-NETWORK 4.7KX4 1/32W	RB9231	645 049 0675	R-NETWORK 33X4 1/32W
	645 033 1442	R-NETWORK 4.7KX4 1/32W		645 049 0699	R-NETWORK 33X4 1/32W
RB803	645 036 0992	R-NETWORK 4.7KX4 1/32W	RB9232	645 049 0675	R-NETWORK 33X4 1/32W
	645 033 1442	R-NETWORK 4.7KX4 1/32W		645 049 0699	R-NETWORK 33X4 1/32W
RB804	645 036 0992	R-NETWORK 4.7KX4 1/32W	RB9233	645 049 0675	R-NETWORK 33X4 1/32W
	645 033 1442	R-NETWORK 4.7KX4 1/32W		645 049 0699	R-NETWORK 33X4 1/32W
RB806	645 036 0992	R-NETWORK 4.7KX4 1/32W	RB9234	645 049 0675	R-NETWORK 33X4 1/32W
	645 033 1442	R-NETWORK 4.7KX4 1/32W		645 049 0699	R-NETWORK 33X4 1/32W
RB807	645 036 0992	R-NETWORK 4.7KX4 1/32W	RB9236	645 049 0675	R-NETWORK 33X4 1/32W
	645 033 1442	R-NETWORK 4.7KX4 1/32W		645 049 0699	R-NETWORK 33X4 1/32W
RB808	645 036 0992	R-NETWORK 4.7KX4 1/32W	RB9237	645 049 0675	R-NETWORK 33X4 1/32W
	645 033 1442	R-NETWORK 4.7KX4 1/32W		645 049 0699	R-NETWORK 33X4 1/32W
RB809	645 036 0992	R-NETWORK 4.7KX4 1/32W	RB9238	645 049 0675	R-NETWORK 33X4 1/32W
	645 033 1442	R-NETWORK 4.7KX4 1/32W		645 049 0699	R-NETWORK 33X4 1/32W
RB811	645 036 0978	R-NETWORK 10KX4 1/32W	RB9239	645 036 0978	R-NETWORK 10KX4 1/32W
	645 028 0719	R-NETWORK 10KX4 1/32W		645 028 0719	R-NETWORK 10KX4 1/32W
RB812	645 036 0978	R-NETWORK 10KX4 1/32W	TRANSFORMER		
	645 028 0719	R-NETWORK 10KX4 1/32W	T2201	645 076 5018	FILTER,LP 34MHZ
RB8201	645 036 3528	R-NETWORK 0X4 1/32W	T2211	645 076 5018	FILTER,LP 34MHZ
	645 037 0816	R-NETWORK 0X4 1/32W	COIL		
RB8202	645 036 3528	R-NETWORK 0X4 1/32W	L1251	645 068 9000	INDUCTOR,10U K
	645 037 0816	R-NETWORK 0X4 1/32W	L1252	645 059 2249	INDUCTOR,2.2U M
RB8203	645 036 3528	R-NETWORK 0X4 1/32W	L1253	645 059 2249	INDUCTOR,2.2U M
	645 037 0816	R-NETWORK 0X4 1/32W	L1501	645 080 6827	INDUCTOR,3.3U M
RB8204	645 036 3528	R-NETWORK 0X4 1/32W	L1502	645 080 6827	INDUCTOR,3.3U M
	645 037 0816	R-NETWORK 0X4 1/32W	L1531	645 080 6827	INDUCTOR,3.3U M
RB8206	645 036 3528	R-NETWORK 0X4 1/32W	L1532	645 080 6827	INDUCTOR,3.3U M
	645 037 0816	R-NETWORK 0X4 1/32W	L1533	645 080 6827	INDUCTOR,3.3U M
RB8207	645 036 3528	R-NETWORK 0X4 1/32W	L1561	645 080 6827	INDUCTOR,3.3U M
	645 037 0816	R-NETWORK 0X4 1/32W	L1562	645 080 6827	INDUCTOR,3.3U M
RB9201	645 036 3528	R-NETWORK 0X4 1/32W	L231	645 059 2249	INDUCTOR,2.2U M
	645 037 0816	R-NETWORK 0X4 1/32W	L2501	645 059 1754	INDUCTOR,22U J
RB9202	645 036 3528	R-NETWORK 0X4 1/32W	L2531	645 059 1754	INDUCTOR,22U J
	645 037 0816	R-NETWORK 0X4 1/32W	L2561	645 059 1754	INDUCTOR,22U J
RB9203	645 036 3528	R-NETWORK 0X4 1/32W	L2581	401 035 4118	MT-GLAZE 0.000 ZA 1/8W
	645 037 0816	R-NETWORK 0X4 1/32W	L2582	401 035 4118	MT-GLAZE 0.000 ZA 1/8W
RB9204	645 036 3528	R-NETWORK 0X4 1/32W	L261	645 059 2249	INDUCTOR,2.2U M
	645 037 0816	R-NETWORK 0X4 1/32W	L262	645 059 2249	INDUCTOR,2.2U M
RB9206	645 036 3528	R-NETWORK 0X4 1/32W	L263	645 059 2249	INDUCTOR,2.2U M
	645 037 0816	R-NETWORK 0X4 1/32W	L271	645 059 2249	INDUCTOR,2.2U M
RB9207	645 036 3528	R-NETWORK 0X4 1/32W	L272	645 068 9000	INDUCTOR,10U K
	645 037 0816	R-NETWORK 0X4 1/32W	L273	645 068 9000	INDUCTOR,10U K
RB9208	645 036 3528	R-NETWORK 0X4 1/32W	L281	645 059 2249	INDUCTOR,2.2U M
	645 037 0816	R-NETWORK 0X4 1/32W	L301	645 050 8448	IMPEDANCE,1000 OHM P
RB9209	645 036 3528	R-NETWORK 0X4 1/32W	L302	645 050 8448	IMPEDANCE,1000 OHM P
	645 037 0816	R-NETWORK 0X4 1/32W	L303	645 050 8448	IMPEDANCE,1000 OHM P
RB9211	645 036 3528	R-NETWORK 0X4 1/32W	L304	645 050 8448	IMPEDANCE,1000 OHM P
	645 037 0816	R-NETWORK 0X4 1/32W	L3401	645 059 2249	INDUCTOR,2.2U M

Key No.	Part No.	Description	Key No.	Part No.	Description
L3402	645 059 2249	INDUCTOR,2.2U M	Q001	405 014 4519	TR 2SC2412K T146 R
L3403	645 059 2249	INDUCTOR,2.2U M		405 014 4618	TR 2SC2412K T146 S
L3404	645 059 2249	INDUCTOR,2.2U M		405 015 8724	TR 2SC2812-L6-TB
L4881	645 059 2249	INDUCTOR,2.2U M		405 015 8922	TR 2SC2812-L7-TB
L501	645 080 6827	INDUCTOR,3.3U M		405 163 1612	TR 2SC2812N-L6-TB0
L502	645 080 6827	INDUCTOR,3.3U M	Q002	405 014 4519	TR 2SC2412K T146 R
L503	645 080 6827	INDUCTOR,3.3U M		405 014 4618	TR 2SC2412K T146 S
L532	645 080 6827	INDUCTOR,3.3U M		405 015 8724	TR 2SC2812-L6-TB
L533	645 080 6827	INDUCTOR,3.3U M		405 015 8922	TR 2SC2812-L7-TB
L561	645 080 6827	INDUCTOR,3.3U M		405 163 1612	TR 2SC2812N-L6-TB0
L562	645 080 6827	INDUCTOR,3.3U M	Q1001	405 134 5925	TR 2SA1037AK-T146-R
L563	645 080 6827	INDUCTOR,3.3U M		405 147 2215	TR 2SA1037AK-S-T146
L7801	645 059 2249	INDUCTOR,2.2U M		405 002 0318	TR 2SA1037K T146 R
L8201	645 059 2249	INDUCTOR,2.2U M		405 002 0417	TR 2SA1037K T146 S
L9202	645 059 2249	INDUCTOR,2.2U M		405 002 6726	TR 2SA1179-M6-TB
L9203	645 059 2249	INDUCTOR,2.2U M		405 002 6924	TR 2SA1179-M7-TB
L9204	645 059 2249	INDUCTOR,2.2U M		405 163 1513	TR 2SA1179N-M6-TB
L9205	401 035 4118	MT-GLAZE 0.000 ZA 1/8W	Q1002	405 134 5925	TR 2SA1037AK-T146-R
L9206	645 059 2249	INDUCTOR,2.2U M		405 147 2215	TR 2SA1037AK-S-T146
L9207	645 059 2249	INDUCTOR,2.2U M		405 002 0318	TR 2SA1037K T146 R
DIODE				405 002 0417	TR 2SA1037K T146 S
D1251	407 149 0817	DIODE 1SS355-TE-17		405 002 6726	TR 2SA1179-M6-TB
D1252	407 149 0817	DIODE 1SS355-TE-17		405 002 6924	TR 2SA1179-M7-TB
D1421	407 149 0817	DIODE 1SS355-TE-17		405 163 1513	TR 2SA1179N-M6-TB
D1803	407 223 1112	ZENER DIODE 02DZ6.2Y(TPH3	Q1003	405 134 5925	TR 2SA1037AK-T146-R
D261	407 225 0212	DIODE RB751S-40		405 147 2215	TR 2SA1037AK-S-T146
D262	407 225 0212	DIODE RB751S-40		405 002 0318	TR 2SA1037K T146 R
D263	407 225 0212	DIODE RB751S-40		405 002 0417	TR 2SA1037K T146 S
D271	407 225 0212	DIODE RB751S-40		405 002 6726	TR 2SA1179-M6-TB
D272	407 225 0212	DIODE RB751S-40		405 002 6924	TR 2SA1179-M7-TB
D2801	407 223 1112	ZENER DIODE 02DZ6.2Y(TPH3	Q1004	405 163 1513	TR 2SA1179N-M6-TB
D3401	407 149 0817	DIODE 1SS355-TE-17		405 134 5925	TR 2SA1037AK-T146-R
D3402	407 149 0817	DIODE 1SS355-TE-17		405 147 2215	TR 2SA1037AK-S-T146
D5801	407 225 0212	DIODE RB751S-40		405 002 0318	TR 2SA1037K T146 R
D5802	407 225 0212	DIODE RB751S-40		405 002 0417	TR 2SA1037K T146 S
D5851	407 223 1112	ZENER DIODE 02DZ6.2Y(TPH3		405 002 6726	TR 2SA1179-M6-TB
D5852	407 223 1112	ZENER DIODE 02DZ6.2Y(TPH3		405 002 6924	TR 2SA1179-M7-TB
D5853	407 223 1112	ZENER DIODE 02DZ6.2Y(TPH3	Q2001	405 163 1513	TR 2SA1179N-M6-TB
D5856	407 223 1112	ZENER DIODE 02DZ6.2Y(TPH3		405 014 4519	TR 2SC2412K T146 R
D5857	407 223 1112	ZENER DIODE 02DZ6.2Y(TPH3		405 014 4618	TR 2SC2412K T146 S
D5858	407 223 1112	ZENER DIODE 02DZ6.2Y(TPH3		405 015 8724	TR 2SC2812-L6-TB
D5859	407 223 1112	ZENER DIODE 02DZ6.2Y(TPH3		405 015 8922	TR 2SC2812-L7-TB
D591	407 225 0212	DIODE RB751S-40		405 163 1612	TR 2SC2812N-L6-TB0
D7801	407 223 0511	ZENER DIODE 02DZ12Y(TPH3)	Q2002	405 014 4519	TR 2SC2412K T146 R
D7802	407 223 1112	ZENER DIODE 02DZ6.2Y(TPH3		405 014 4618	TR 2SC2412K T146 S
D7831	407 225 0212	DIODE RB751S-40		405 015 8724	TR 2SC2812-L6-TB
D7832	407 149 0817	DIODE 1SS355-TE-17		405 015 8922	TR 2SC2812-L7-TB
D7851	407 225 0212	DIODE RB751S-40	Q2003	405 163 1612	TR 2SC2812N-L6-TB0
D7852	407 149 0817	DIODE 1SS355-TE-17		405 014 4519	TR 2SC2412K T146 R
D7871	407 225 0212	DIODE RB751S-40		405 014 4618	TR 2SC2412K T146 S
D7872	407 149 0817	DIODE 1SS355-TE-17		405 015 8724	TR 2SC2812-L6-TB
D7891	407 225 0212	DIODE RB751S-40		405 015 8922	TR 2SC2812-L7-TB
D7892	407 149 0817	DIODE 1SS355-TE-17	Q2031	405 163 1612	TR 2SC2812N-L6-TB0
D8041	407 201 2721	DIODE RB051L-40-TE25		405 014 4519	TR 2SC2412K T146 R
D8042	407 201 2721	DIODE RB051L-40-TE25		405 014 4618	TR 2SC2412K T146 S
D9201	407 225 0212	DIODE RB751S-40		405 015 8724	TR 2SC2812-L6-TB
D9202	407 225 0212	DIODE RB751S-40		405 015 8922	TR 2SC2812-L7-TB
D9203	407 149 0817	DIODE 1SS355-TE-17	Q2032	405 163 1612	TR 2SC2812N-L6-TB0
D9204	407 149 0817	DIODE 1SS355-TE-17		405 134 5925	TR 2SA1037AK-T146-R
D9206	407 149 0817	DIODE 1SS355-TE-17		405 147 2215	TR 2SA1037AK-S-T146
MISCELLANEOUS				405 002 0318	TR 2SA1037K T146 R
IC4811	407 236 0317	SENSOR MPXHZ6115A6T1		405 002 0417	TR 2SA1037K T146 S
K47A	645 040 6775	SOCKET,PWB 40P		405 002 6726	TR 2SA1179-M6-TB
X301	645 076 0280	OSC,CRYSTAL 14.31818MHZ		405 002 6924	TR 2SA1179-M7-TB
X3231	645 053 7677	OSC,CERAMIC 503.0KHZ	Q3001	405 163 1513	TR 2SA1179N-M6-TB
X4801	645 065 3537	OSC,CRYSTAL 14.7456MHZ		405 014 4519	TR 2SC2412K T146 R
X801	645 062 2656	OSC,CRYSTAL 33.3333MHZ		405 014 4618	TR 2SC2412K T146 S
X802	645 060 4607	OSC,CRYSTAL 48.0000MHZ		405 015 8724	TR 2SC2812-L6-TB
X9201	645 076 5193	OSC,CRYSTAL 79.991883MHZ		405 015 8922	TR 2SC2812-L7-TB
A/V BOARD			Q3002	405 163 1612	TR 2SC2812N-L6-TB0
				405 014 4519	TR 2SC2412K T146 R
610 328 3036 ASSY,PWB,A/V KE6A				405 014 4618	TR 2SC2412K T146 S
				405 015 8724	TR 2SC2812-L6-TB
TRANSISTOR				405 015 8922	TR 2SC2812-L7-TB
			Q3003	405 163 1612	TR 2SC2812N-L6-TB0
				405 014 4519	TR 2SC2412K T146 R

Electrical Parts List

Key No.	Part No.	Description	Key No.	Part No.	Description
	405 014 4618	TR 2SC2412K T146 S		405 014 4618	TR 2SC2412K T146 S
	405 015 8724	TR 2SC2812-L6-TB		405 015 8724	TR 2SC2812-L6-TB
	405 015 8922	TR 2SC2812-L7-TB		405 015 8922	TR 2SC2812-L7-TB
	405 163 1612	TR 2SC2812N-L6-TB0		405 163 1612	TR 2SC2812N-L6-TB0
Q3004	405 014 4519	TR 2SC2412K T146 R	INTEGRATED	CIRCUIT	
	405 014 4618	TR 2SC2412K T146 S	IC001	409 438 5510	IC TC4052BFT
	405 015 8724	TR 2SC2812-L6-TB	IC1001	409 527 6817	IC NJM2575F1
	405 015 8922	TR 2SC2812-L7-TB	IC2002	409 462 6019	IC AD8185ARUZ-REEL7
	405 163 1612	TR 2SC2812N-L6-TB0	IC2003	409 474 5314	IC NJM2535V
Q3006	405 014 4519	TR 2SC2412K T146 R	IC2004	409 527 6817	IC NJM2575F1
	405 014 4618	TR 2SC2412K T146 S	IC3001	409 470 2614	IC AD8183ARUZ-REEL7
	405 015 8724	TR 2SC2812-L6-TB	IC3002	409 051 2930	IC TC4053BF (EL)
	405 015 8922	TR 2SC2812-L7-TB	IC3003	409 461 7314	IC AD8057ARTZ-REEL7
	405 163 1612	TR 2SC2812N-L6-TB0	IC3004	409 461 7314	IC AD8057ARTZ-REEL7
Q3007	405 134 5925	TR 2SA1037AK-T146-R	IC3006	409 461 7314	IC AD8057ARTZ-REEL7
	405 147 2215	TR 2SA1037AK-S-T146	IC3007	409 484 2013	IC BA7078AF-E2
	405 002 0318	TR 2SA1037K T146 R	IC3008	410 343 7008	IC SN74AHCT1G14DBVR
	405 002 0417	TR 2SA1037K T146 S	IC3009	410 343 7008	IC SN74AHCT1G14DBVR
	405 002 6726	TR 2SA1179-M6-TB	IC3011	409 368 5819	IC TC7SH08FU (TE85L)
	405 002 6924	TR 2SA1179-M7-TB	IC3012	409 400 7115	IC TC7W53FU-(TE12L)
	405 163 1513	TR 2SA1179N-M6-TB	IC3013	409 400 7115	IC TC7W53FU-(TE12L)
Q3008	405 134 5925	TR 2SA1037AK-T146-R	IC3801	409 652 0711	IC HIN202EIBNZ-T
	405 147 2215	TR 2SA1037AK-S-T146		409 565 9610	IC SP232AEN-L
	405 002 0318	TR 2SA1037K T146 R	IC3803	410 457 0100	IC TWM7000-210010
	405 002 0417	TR 2SA1037K T146 S	IC3804	410 466 3109	IC TWM7000-170010
	405 002 6726	TR 2SA1179-M6-TB	IC3806	409 395 5912	IC TC7SH00FU-(TE85L)
	405 002 6924	TR 2SA1179-M7-TB	IC3807	410 356 7507	IC SN74HCT244PWR
	405 163 1513	TR 2SA1179N-M6-TB	IC4001	409 416 6515	IC BA05FP-E2
Q3009	405 014 4519	TR 2SC2412K T146 R	IC5002	409 271 7323	IC TC4W66F-TE12L
	405 014 4618	TR 2SC2412K T146 S	IC5201	409 462 0324	IC 24LC21AT/SN
	405 015 8724	TR 2SC2812-L6-TB	IC5202	409 051 2930	IC TC4053BF (EL)
	405 015 8922	TR 2SC2812-L7-TB	IC5301	409 434 8119	IC TC4053BFT-(EL)
	405 163 1612	TR 2SC2812N-L6-TB0	IC5308	410 349 4100	IC TC7W241FU (TE12L)
Q3801	405 014 4519	TR 2SC2412K T146 R	CAPACITOR		
	405 014 4618	TR 2SC2412K T146 S	C001	403 157 3611	CERAMIC 100P J 50V
	405 015 8724	TR 2SC2812-L6-TB	C002	403 157 3611	CERAMIC 100P J 50V
	405 015 8922	TR 2SC2812-L7-TB	C003	403 157 3611	CERAMIC 100P J 50V
	405 163 1612	TR 2SC2812N-L6-TB0	C004	403 157 3611	CERAMIC 100P J 50V
Q4001	405 014 4519	TR 2SC2412K T146 R	C006	403 157 3611	CERAMIC 100P J 50V
	405 014 4618	TR 2SC2412K T146 S	C007	403 157 3611	CERAMIC 100P J 50V
	405 015 8724	TR 2SC2812-L6-TB	C008	403 323 8815	CERAMIC 2.2U Z 16V
	405 015 8922	TR 2SC2812-L7-TB	C009	403 323 8815	CERAMIC 2.2U Z 16V
	405 163 1612	TR 2SC2812N-L6-TB0	C011	403 323 8815	CERAMIC 2.2U Z 16V
Q4002	405 014 4519	TR 2SC2412K T146 R	C012	403 323 8815	CERAMIC 2.2U Z 16V
	405 014 4618	TR 2SC2412K T146 S	C013	403 323 8815	CERAMIC 2.2U Z 16V
	405 015 8724	TR 2SC2812-L6-TB	C014	403 323 8815	CERAMIC 2.2U Z 16V
	405 015 8922	TR 2SC2812-L7-TB	C016	403 164 0214	CERAMIC 0.1U Z 25V
	405 163 1612	TR 2SC2812N-L6-TB0	C017	403 164 0214	CERAMIC 0.1U Z 25V
Q5003	405 014 4519	TR 2SC2412K T146 R	C018	403 164 0214	CERAMIC 0.1U Z 25V
	405 014 4618	TR 2SC2412K T146 S	C019	403 164 0214	CERAMIC 0.1U Z 25V
	405 015 8724	TR 2SC2812-L6-TB	C021	403 164 0214	CERAMIC 0.1U Z 25V
	405 015 8922	TR 2SC2812-L7-TB	C022	403 164 0214	CERAMIC 0.1U Z 25V
	405 163 1612	TR 2SC2812N-L6-TB0	C1001	403 215 2211	CERAMIC 0.01U K 50V
Q5004	405 014 4519	TR 2SC2412K T146 R	C1006	403 164 0214	CERAMIC 0.1U Z 25V
	405 014 4618	TR 2SC2412K T146 S	C1007	403 164 0214	CERAMIC 0.1U Z 25V
	405 015 8724	TR 2SC2812-L6-TB	C1008	403 164 0214	CERAMIC 0.1U Z 25V
	405 015 8922	TR 2SC2812-L7-TB	C1009	403 397 6212	ELECT 10U M 16V
	405 163 1612	TR 2SC2812N-L6-TB0	C1011	403 164 0214	CERAMIC 0.1U Z 25V
Q5007	405 014 4519	TR 2SC2412K T146 R	C1111	403 164 0214	CERAMIC 0.1U Z 25V
	405 014 4618	TR 2SC2412K T146 S	C1222	403 164 0214	CERAMIC 0.1U Z 25V
	405 015 8724	TR 2SC2812-L6-TB	C1223	403 164 0214	CERAMIC 0.1U Z 25V
	405 015 8922	TR 2SC2812-L7-TB	C1224	403 164 0214	CERAMIC 0.1U Z 25V
	405 163 1612	TR 2SC2812N-L6-TB0	C1226	403 283 6319	CERAMIC 1U Z 10V
Q5301	405 134 5925	TR 2SA1037AK-T146-R	C1227	403 164 0214	CERAMIC 0.1U Z 25V
	405 147 2215	TR 2SA1037AK-S-T146	C1228	403 164 0214	CERAMIC 0.1U Z 25V
	405 002 0318	TR 2SA1037K T146 R	C1229	403 164 0214	CERAMIC 0.1U Z 25V
	405 002 0417	TR 2SA1037K T146 S	C1234	403 164 0214	CERAMIC 0.1U Z 25V
	405 002 6726	TR 2SA1179-M6-TB	C1236	403 164 0214	CERAMIC 0.1U Z 25V
	405 002 6924	TR 2SA1179-M7-TB	C2001	403 380 0111	CERAMIC 47U M 6.3V
	405 163 1513	TR 2SA1179N-M6-TB	C2002	403 380 0111	CERAMIC 47U M 6.3V
Q5302	405 014 4519	TR 2SC2412K T146 R	C2003	403 380 0111	CERAMIC 47U M 6.3V
	405 014 4618	TR 2SC2412K T146 S	C2004	403 164 0214	CERAMIC 0.1U Z 25V
	405 015 8724	TR 2SC2812-L6-TB	C2005	403 139 7514	CERAMIC 39P J 50V
	405 015 8922	TR 2SC2812-L7-TB	C2006	403 164 0214	CERAMIC 0.1U Z 25V
	405 163 1612	TR 2SC2812N-L6-TB0			
Q5303	405 014 4519	TR 2SC2412K T146 R			

Key No.	Part No.	Description	Key No.	Part No.	Description
C2007	403 164 0214	CERAMIC 0.1U Z 25V	C3821	403 164 0214	CERAMIC 0.1U Z 25V
C2008	403 164 0214	CERAMIC 0.1U Z 25V	C3822	403 283 6319	CERAMIC 1U Z 10V
C2009	403 164 0214	CERAMIC 0.1U Z 25V	C3829	403 283 6319	CERAMIC 1U Z 10V
C2010	403 139 7514	CERAMIC 39P J 50V	C3837	403 366 6212	CERAMIC 22U Z 10V
C2011	403 164 0214	CERAMIC 0.1U Z 25V	C3838	403 164 0214	CERAMIC 0.1U Z 25V
C2012	403 164 0214	CERAMIC 0.1U Z 25V	C4001	403 164 0214	CERAMIC 0.1U Z 25V
C2013	403 164 0214	CERAMIC 0.1U Z 25V	C4002	403 164 0214	CERAMIC 0.1U Z 25V
C2014	403 164 0214	CERAMIC 0.1U Z 25V	C4003	403 164 0214	CERAMIC 0.1U Z 25V
C2015	403 139 7514	CERAMIC 39P J 50V	C4004	403 394 1319	ELECT 100U M 6.3V
C2016	403 397 6212	ELECT 10U M 16V	C4006	403 394 1319	ELECT 100U M 6.3V
C2017	403 397 6212	ELECT 10U M 16V	C4007	403 164 0214	CERAMIC 0.1U Z 25V
C2018	403 397 6212	ELECT 10U M 16V	C4008	403 164 0214	CERAMIC 0.1U Z 25V
C2019	403 397 6212	ELECT 10U M 16V	C5014	403 391 5518	ELECT 10U M 16V
C2021	403 164 0214	CERAMIC 0.1U Z 25V	C5016	403 391 5518	ELECT 10U M 16V
C2022	403 164 0214	CERAMIC 0.1U Z 25V	C5017	403 164 0214	CERAMIC 0.1U Z 25V
C2028	403 355 9910	CERAMIC 2.2U K 10V	C5018	403 164 0214	CERAMIC 0.1U Z 25V
C2029	403 164 0214	CERAMIC 0.1U Z 25V	C5202	403 164 0214	CERAMIC 0.1U Z 25V
C2031	403 164 0214	CERAMIC 0.1U Z 25V	C5203	403 164 0214	CERAMIC 0.1U Z 25V
C3001	403 380 0111	CERAMIC 47U M 6.3V	C5204	403 164 0214	CERAMIC 0.1U Z 25V
C3002	403 380 0111	CERAMIC 47U M 6.3V	C5206	403 394 9315	ELECT 220U M 6.3V
C3003	403 380 0111	CERAMIC 47U M 6.3V	C5301	403 164 0214	CERAMIC 0.1U Z 25V
C3004	403 380 0111	CERAMIC 47U M 6.3V	C5302	403 164 0214	CERAMIC 0.1U Z 25V
C3006	403 380 0111	CERAMIC 47U M 6.3V	C5303	403 164 0214	CERAMIC 0.1U Z 25V
C3007	403 380 0111	CERAMIC 47U M 6.3V	C5304	403 164 0214	CERAMIC 0.1U Z 25V
C3008	403 164 0214	CERAMIC 0.1U Z 25V	C5306	403 164 0214	CERAMIC 0.1U Z 25V
C3009	403 164 0214	CERAMIC 0.1U Z 25V	C5307	403 164 0214	CERAMIC 0.1U Z 25V
C3011	403 164 0214	CERAMIC 0.1U Z 25V	C5331	403 164 0214	CERAMIC 0.1U Z 25V
C3012	403 164 0214	CERAMIC 0.1U Z 25V	C5336	403 164 0214	CERAMIC 0.1U Z 25V
C3013	403 164 0214	CERAMIC 0.1U Z 25V	RESISTOR		
C3014	403 164 0214	CERAMIC 0.1U Z 25V	R001	401 162 3817	MT-GLAZE 470K JA 1/10W
C3016	403 164 0214	CERAMIC 0.1U Z 25V	R002	401 162 3817	MT-GLAZE 470K JA 1/10W
C3017	403 164 0214	CERAMIC 0.1U Z 25V	R003	401 150 6011	MT-GLAZE 0.000 ZA 1/10W
C3018	403 164 0214	CERAMIC 0.1U Z 25V	R004	401 150 6011	MT-GLAZE 0.000 ZA 1/10W
C3019	403 164 0214	CERAMIC 0.1U Z 25V	R008	401 255 6015	MT-GLAZE 1M JA 1/10W
C3021	403 164 0214	CERAMIC 0.1U Z 25V	R009	401 255 6015	MT-GLAZE 1M JA 1/10W
C3022	403 157 3611	CERAMIC 100P J 50V	R011	401 162 3817	MT-GLAZE 470K JA 1/10W
C3023	403 155 2210	CERAMIC 3300P K 50V	R012	401 162 3817	MT-GLAZE 470K JA 1/10W
C3024	403 379 6711	CERAMIC 10U K 16V	R013	401 150 6011	MT-GLAZE 0.000 ZA 1/10W
C3026	403 379 6711	CERAMIC 10U K 16V	R014	401 150 6011	MT-GLAZE 0.000 ZA 1/10W
C3027	403 233 3818	CERAMIC 10P C 50V	R018	401 255 6015	MT-GLAZE 1M JA 1/10W
C3028	403 164 0214	CERAMIC 0.1U Z 25V	R019	401 255 6015	MT-GLAZE 1M JA 1/10W
C3029	403 164 0214	CERAMIC 0.1U Z 25V	R021	401 162 3817	MT-GLAZE 470K JA 1/10W
C3031	403 233 3818	CERAMIC 10P C 50V	R022	401 162 3817	MT-GLAZE 470K JA 1/10W
C3032	403 164 0214	CERAMIC 0.1U Z 25V	R023	401 150 6011	MT-GLAZE 0.000 ZA 1/10W
C3033	403 164 0214	CERAMIC 0.1U Z 25V	R024	401 150 6011	MT-GLAZE 0.000 ZA 1/10W
C3036	403 164 0214	CERAMIC 0.1U Z 25V	R028	401 255 6015	MT-GLAZE 1M JA 1/10W
C3037	403 164 0214	CERAMIC 0.1U Z 25V	R029	401 255 6015	MT-GLAZE 1M JA 1/10W
C3038	403 233 3818	CERAMIC 10P C 50V	R031	401 255 6510	MT-GLAZE 100 JA 1/10W
C3039	403 372 7517	CERAMIC 2.2U K 6.3V	R032	401 255 6510	MT-GLAZE 100 JA 1/10W
C3041	403 283 6319	CERAMIC 1U Z 10V	R033	401 150 5816	MT-GLAZE 100K JA 1/10W
C3042	403 355 9910	CERAMIC 2.2U K 10V	R034	401 150 6110	MT-GLAZE 2.2K JA 1/10W
C3043	403 355 9910	CERAMIC 2.2U K 10V	R036	401 255 6510	MT-GLAZE 100 JA 1/10W
C3044	403 283 6319	CERAMIC 1U Z 10V	R037	401 150 5816	MT-GLAZE 100K JA 1/10W
C3046	403 348 5823	CERAMIC 0.47U K 10V	R038	401 150 6110	MT-GLAZE 2.2K JA 1/10W
C3047	403 355 9910	CERAMIC 2.2U K 10V	R039	401 255 6510	MT-GLAZE 100 JA 1/10W
C3048	403 283 6319	CERAMIC 1U Z 10V	R041	401 150 5915	MT-GLAZE 10K JA 1/10W
C3049	403 398 4118	ELECT 47U M 16V	R042	401 150 5915	MT-GLAZE 10K JA 1/10W
C3051	403 164 0214	CERAMIC 0.1U Z 25V	R1001	401 260 4112	MT-GLAZE 75 JA 1/3W
C3052	403 164 0214	CERAMIC 0.1U Z 25V	R1002	401 260 4112	MT-GLAZE 75 JA 1/3W
C3053	403 157 3611	CERAMIC 100P J 50V	R1003	401 260 4112	MT-GLAZE 75 JA 1/3W
C3054	403 283 6319	CERAMIC 1U Z 10V	R1012	401 150 6011	MT-GLAZE 0.000 ZA 1/10W
C3056	403 283 6319	CERAMIC 1U Z 10V	R1013	401 150 6011	MT-GLAZE 0.000 ZA 1/10W
C3080	403 164 0214	CERAMIC 0.1U Z 25V	R1014	401 150 6011	MT-GLAZE 0.000 ZA 1/10W
C3801	403 283 6319	CERAMIC 1U Z 10V	R1016	401 260 4112	MT-GLAZE 75 JA 1/3W
C3802	403 283 6319	CERAMIC 1U Z 10V	R1017	401 260 4112	MT-GLAZE 75 JA 1/3W
C3803	403 283 6319	CERAMIC 1U Z 10V	R1018	401 255 6510	MT-GLAZE 100 JA 1/10W
C3804	403 283 6319	CERAMIC 1U Z 10V	R1026	401 150 6011	MT-GLAZE 0.000 ZA 1/10W
C3806	403 283 6319	CERAMIC 1U Z 10V	R1029	401 255 6510	MT-GLAZE 100 JA 1/10W
C3807	403 283 6319	CERAMIC 1U Z 10V	R1031	401 255 6510	MT-GLAZE 100 JA 1/10W
C3808	403 398 4118	ELECT 47U M 16V	R1033	401 150 6219	MT-GLAZE 1K JA 1/10W
C3809	403 157 4212	CERAMIC 220P J 50V	R1036	401 150 6011	MT-GLAZE 0.000 ZA 1/10W
C3812	403 164 0214	CERAMIC 0.1U Z 25V	R1041	401 150 6011	MT-GLAZE 0.000 ZA 1/10W
C3813	403 164 0214	CERAMIC 0.1U Z 25V	R1101	401 260 4112	MT-GLAZE 75 JA 1/3W
C3814	403 164 0214	CERAMIC 0.1U Z 25V	R1106	401 260 4112	MT-GLAZE 75 JA 1/3W

Electrical Parts List

Key No.	Part No.	Description	Key No.	Part No.	Description
R1111	401 260 4112	MT-GLAZE 75 JA 1/3W	R3022	401 256 3617	MT-GLAZE 15K JA 1/10W
R1116	401 255 6510	MT-GLAZE 100 JA 1/10W	R3023	401 255 6510	MT-GLAZE 100 JA 1/10W
R1117	401 255 6510	MT-GLAZE 100 JA 1/10W	R3024	401 255 6510	MT-GLAZE 100 JA 1/10W
R1118	401 255 6510	MT-GLAZE 100 JA 1/10W	R3025	401 150 6011	MT-GLAZE 0.000 ZA 1/10W
R1122	401 255 6510	MT-GLAZE 100 JA 1/10W	R3026	401 255 6510	MT-GLAZE 100 JA 1/10W
R1123	401 037 5618	MT-GLAZE 10K JA 1/10W	R3027	401 256 1217	MT-GLAZE 130 JA 1/10W
R1124	401 037 5618	MT-GLAZE 10K JA 1/10W	R3028	401 256 1217	MT-GLAZE 130 JA 1/10W
R1128	401 255 6510	MT-GLAZE 100 JA 1/10W	R3029	401 256 1217	MT-GLAZE 130 JA 1/10W
R1131	401 265 4919	MT-GLAZE 75 FA 1/10W	R3031	401 256 1217	MT-GLAZE 130 JA 1/10W
R1132	401 265 4919	MT-GLAZE 75 FA 1/10W	R3032	401 150 5915	MT-GLAZE 10K JA 1/10W
R1133	401 265 4919	MT-GLAZE 75 FA 1/10W	R3033	401 150 5915	MT-GLAZE 10K JA 1/10W
R1226	401 150 6219	MT-GLAZE 1K JA 1/10W	R3034	401 150 5915	MT-GLAZE 10K JA 1/10W
R1231	401 255 6510	MT-GLAZE 100 JA 1/10W	R3036	401 150 5915	MT-GLAZE 10K JA 1/10W
R1232	401 255 6510	MT-GLAZE 100 JA 1/10W	R3037	401 255 6510	MT-GLAZE 100 JA 1/10W
R1233	401 255 6510	MT-GLAZE 100 JA 1/10W	R3038	401 255 6510	MT-GLAZE 100 JA 1/10W
R2001	401 260 4112	MT-GLAZE 75 JA 1/3W	R3039	401 150 6219	MT-GLAZE 1K JA 1/10W
R2002	401 260 4112	MT-GLAZE 75 JA 1/3W	R3042	401 035 4118	MT-GLAZE 0.000 ZA 1/8W
R2003	401 260 4112	MT-GLAZE 75 JA 1/3W	R3043	401 035 4118	MT-GLAZE 0.000 ZA 1/8W
R2004	401 256 1217	MT-GLAZE 130 JA 1/10W	R3044	401 162 3718	MT-GLAZE 4.7K JA 1/10W
R2005	401 255 6114	MT-GLAZE 20K JA 1/10W	R3046	401 150 6011	MT-GLAZE 0.000 ZA 1/10W
R2006	401 256 1217	MT-GLAZE 130 JA 1/10W	R3047	401 150 6011	MT-GLAZE 0.000 ZA 1/10W
R2007	401 256 1217	MT-GLAZE 130 JA 1/10W	R3048	401 150 6011	MT-GLAZE 0.000 ZA 1/10W
R2008	401 256 1217	MT-GLAZE 130 JA 1/10W	R3051	401 255 6510	MT-GLAZE 100 JA 1/10W
R2009	401 150 5915	MT-GLAZE 10K JA 1/10W	R3052	401 150 6219	MT-GLAZE 1K JA 1/10W
R2011	401 150 5915	MT-GLAZE 10K JA 1/10W	R3053	401 150 6219	MT-GLAZE 1K JA 1/10W
R2012	401 150 5915	MT-GLAZE 10K JA 1/10W	R3054	401 150 6219	MT-GLAZE 1K JA 1/10W
R2013	401 150 5915	MT-GLAZE 10K JA 1/10W	R3056	401 150 6219	MT-GLAZE 1K JA 1/10W
R2014	401 150 6011	MT-GLAZE 0.000 ZA 1/10W	R3057	401 255 9610	MT-GLAZE 820K JA 1/10W
R2016	401 150 6011	MT-GLAZE 0.000 ZA 1/10W	R3058	401 150 5915	MT-GLAZE 10K JA 1/10W
R2017	401 150 6011	MT-GLAZE 0.000 ZA 1/10W	R3059	401 150 6219	MT-GLAZE 1K JA 1/10W
R2020	401 255 6114	MT-GLAZE 20K JA 1/10W	R3061	401 255 6510	MT-GLAZE 100 JA 1/10W
R2027	401 255 6510	MT-GLAZE 100 JA 1/10W	R3062	401 150 6219	MT-GLAZE 1K JA 1/10W
R2028	401 255 6510	MT-GLAZE 100 JA 1/10W	R3063	401 255 6015	MT-GLAZE 1M JA 1/10W
R2036	401 150 6011	MT-GLAZE 0.000 ZA 1/10W	R3064	401 255 6510	MT-GLAZE 100 JA 1/10W
R2039	401 162 2414	MT-GLAZE 1.2K JA 1/10W	R3066	401 255 6510	MT-GLAZE 100 JA 1/10W
R2041	401 256 0111	MT-GLAZE 8.2K JA 1/10W	R3067	401 256 7615	MT-GLAZE 3.9K JA 1/10W
R2042	401 255 9511	MT-GLAZE 220K JA 1/10W	R3068	401 150 6011	MT-GLAZE 0.000 ZA 1/10W
R2043	401 255 6510	MT-GLAZE 100 JA 1/10W	R3069	401 150 6011	MT-GLAZE 0.000 ZA 1/10W
R2044	401 150 6219	MT-GLAZE 1K JA 1/10W	R3070	401 150 6011	MT-GLAZE 0.000 ZA 1/10W
R2046	401 035 4118	MT-GLAZE 0.000 ZA 1/8W	R3071	401 150 6011	MT-GLAZE 0.000 ZA 1/10W
R2047	401 255 6510	MT-GLAZE 100 JA 1/10W	R3072	401 150 6011	MT-GLAZE 0.000 ZA 1/10W
R2048	401 255 6510	MT-GLAZE 100 JA 1/10W	R3073	401 255 6510	MT-GLAZE 100 JA 1/10W
R2049	401 255 6510	MT-GLAZE 100 JA 1/10W	R3074	401 255 6510	MT-GLAZE 100 JA 1/10W
R2051	401 255 6510	MT-GLAZE 100 JA 1/10W	R3075	401 150 6011	MT-GLAZE 0.000 ZA 1/10W
R2052	401 256 3617	MT-GLAZE 15K JA 1/10W	R3076	401 150 6011	MT-GLAZE 0.000 ZA 1/10W
R2053	401 255 6510	MT-GLAZE 100 JA 1/10W	R3077	401 150 6011	MT-GLAZE 0.000 ZA 1/10W
R2054	401 256 3617	MT-GLAZE 15K JA 1/10W	R3078	401 255 6510	MT-GLAZE 100 JA 1/10W
R2056	401 255 6510	MT-GLAZE 100 JA 1/10W	R3079	401 255 6510	MT-GLAZE 100 JA 1/10W
R2057	401 256 3617	MT-GLAZE 15K JA 1/10W	R3081	401 150 5915	MT-GLAZE 10K JA 1/10W
R2058	401 035 4118	MT-GLAZE 0.000 ZA 1/8W	R3082	401 150 5915	MT-GLAZE 10K JA 1/10W
R2059	401 150 5915	MT-GLAZE 10K JA 1/10W	R3083	401 150 5816	MT-GLAZE 100K JA 1/10W
R2061	401 150 6011	MT-GLAZE 0.000 ZA 1/10W	R3086	401 150 6219	MT-GLAZE 1K JA 1/10W
R2062	401 150 6011	MT-GLAZE 0.000 ZA 1/10W	R3087	401 150 6219	MT-GLAZE 1K JA 1/10W
R2063	401 150 6011	MT-GLAZE 0.000 ZA 1/10W	R3088	401 264 7515	MT-GLAZE 2.7K FA 1/10W
R2064	401 150 6219	MT-GLAZE 1K JA 1/10W	R3089	401 264 7515	MT-GLAZE 2.7K FA 1/10W
R2066	401 256 4416	MT-GLAZE 160 JA 1/10W	R3091	401 264 7515	MT-GLAZE 2.7K FA 1/10W
R2067	401 255 6015	MT-GLAZE 1M JA 1/10W	R3092	401 264 7515	MT-GLAZE 2.7K FA 1/10W
R2068	401 255 6015	MT-GLAZE 1M JA 1/10W	R3093	401 255 6510	MT-GLAZE 100 JA 1/10W
R2069	401 255 6510	MT-GLAZE 100 JA 1/10W	R3094	401 255 6510	MT-GLAZE 100 JA 1/10W
R2071	401 255 6510	MT-GLAZE 100 JA 1/10W	R3096	401 255 6510	MT-GLAZE 100 JA 1/10W
R2073	401 150 6011	MT-GLAZE 0.000 ZA 1/10W	R3097	401 256 3617	MT-GLAZE 15K JA 1/10W
R2077	401 255 6015	MT-GLAZE 1M JA 1/10W	R3098	401 256 3617	MT-GLAZE 15K JA 1/10W
R2078	401 150 6011	MT-GLAZE 0.000 ZA 1/10W	R3099	401 256 3617	MT-GLAZE 15K JA 1/10W
R2081	401 150 6011	MT-GLAZE 0.000 ZA 1/10W	R3101	401 150 6011	MT-GLAZE 0.000 ZA 1/10W
R2082	401 150 5915	MT-GLAZE 10K JA 1/10W	R3102	401 150 6011	MT-GLAZE 0.000 ZA 1/10W
R2083	401 150 5915	MT-GLAZE 10K JA 1/10W	R3803	401 255 6510	MT-GLAZE 100 JA 1/10W
R3004	401 150 6011	MT-GLAZE 0.000 ZA 1/10W	R3804	401 255 6510	MT-GLAZE 100 JA 1/10W
R3006	401 150 6011	MT-GLAZE 0.000 ZA 1/10W	R3805	401 255 6510	MT-GLAZE 100 JA 1/10W
R3007	401 150 6011	MT-GLAZE 0.000 ZA 1/10W	R3807	401 255 6510	MT-GLAZE 100 JA 1/10W
R3017	401 255 6510	MT-GLAZE 100 JA 1/10W	R3808	401 255 6510	MT-GLAZE 100 JA 1/10W
R3018	401 255 6510	MT-GLAZE 100 JA 1/10W	R3809	401 150 6011	MT-GLAZE 0.000 ZA 1/10W
R3019	401 256 3617	MT-GLAZE 15K JA 1/10W	R3811	401 255 6510	MT-GLAZE 100 JA 1/10W
R3020	401 150 6011	MT-GLAZE 0.000 ZA 1/10W	R3812	401 255 6510	MT-GLAZE 100 JA 1/10W
R3021	401 256 3617	MT-GLAZE 15K JA 1/10W	R3813	401 150 6011	MT-GLAZE 0.000 ZA 1/10W

Key No.	Part No.	Description	Key No.	Part No.	Description
R3816	401 150 5915	MT-GLAZE 10K JA 1/10W	R5031	401 150 6011	MT-GLAZE 0.000 ZA 1/10W
R3817	401 255 6510	MT-GLAZE 100 JA 1/10W	R5201	401 037 5618	MT-GLAZE 10K JA 1/10W
R3818	401 150 5915	MT-GLAZE 10K JA 1/10W	R5202	401 255 6510	MT-GLAZE 100 JA 1/10W
R3819	401 255 8118	MT-GLAZE 5.1K JA 1/10W	R5203	401 255 6510	MT-GLAZE 100 JA 1/10W
R3821	401 150 6011	MT-GLAZE 0.000 ZA 1/10W	R5301	401 150 6219	MT-GLAZE 1K JA 1/10W
R3822	401 150 6011	MT-GLAZE 0.000 ZA 1/10W	R5302	401 150 6219	MT-GLAZE 1K JA 1/10W
R3823	401 255 6510	MT-GLAZE 100 JA 1/10W	R5304	401 150 6110	MT-GLAZE 2.2K JA 1/10W
R3824	401 255 6510	MT-GLAZE 100 JA 1/10W	R5306	401 162 2216	MT-GLAZE 10 JA 1/10W
R3826	401 150 5915	MT-GLAZE 10K JA 1/10W	R5307	401 162 2810	MT-GLAZE 1.8K JA 1/10W
R3848	401 150 6011	MT-GLAZE 0.000 ZA 1/10W	R5308	401 162 2810	MT-GLAZE 1.8K JA 1/10W
R3849	401 150 6011	MT-GLAZE 0.000 ZA 1/10W	R5309	401 150 6011	MT-GLAZE 0.000 ZA 1/10W
R3851	401 150 5915	MT-GLAZE 10K JA 1/10W	R5311	401 150 6011	MT-GLAZE 0.000 ZA 1/10W
R3853	401 150 5915	MT-GLAZE 10K JA 1/10W	R5312	401 162 2810	MT-GLAZE 1.8K JA 1/10W
R3854	401 150 5915	MT-GLAZE 10K JA 1/10W	R5313	401 162 2216	MT-GLAZE 10 JA 1/10W
R3856	401 255 6510	MT-GLAZE 100 JA 1/10W	R5314	401 162 2810	MT-GLAZE 1.8K JA 1/10W
R3857	401 255 6510	MT-GLAZE 100 JA 1/10W	R5358	401 150 6011	MT-GLAZE 0.000 ZA 1/10W
R3858	401 150 6011	MT-GLAZE 0.000 ZA 1/10W	R5359	401 150 5915	MT-GLAZE 10K JA 1/10W
R3859	401 150 6011	MT-GLAZE 0.000 ZA 1/10W	R5361	401 150 6011	MT-GLAZE 0.000 ZA 1/10W
R3861	401 150 6011	MT-GLAZE 0.000 ZA 1/10W	R5362	401 150 6011	MT-GLAZE 0.000 ZA 1/10W
R3862	401 150 6110	MT-GLAZE 2.2K JA 1/10W	R5363	401 150 6011	MT-GLAZE 0.000 ZA 1/10W
R3863	401 150 6011	MT-GLAZE 0.000 ZA 1/10W	R5364	401 150 6011	MT-GLAZE 0.000 ZA 1/10W
R3864	401 150 5915	MT-GLAZE 10K JA 1/10W	COIL		
R3866	401 150 5915	MT-GLAZE 10K JA 1/10W	L001	645 045 6183	FILTER,EMI 25MHZ
R3871	401 150 6110	MT-GLAZE 2.2K JA 1/10W	L002	645 045 6183	FILTER,EMI 25MHZ
R3872	401 256 6311	MT-GLAZE 47K JA 1/10W	L003	645 045 6183	FILTER,EMI 25MHZ
R3873	401 150 5915	MT-GLAZE 10K JA 1/10W	L004	645 045 6183	FILTER,EMI 25MHZ
R3874	401 150 6011	MT-GLAZE 0.000 ZA 1/10W	L006	645 045 6183	FILTER,EMI 25MHZ
R3876	401 150 6011	MT-GLAZE 0.000 ZA 1/10W	L007	645 045 6183	FILTER,EMI 25MHZ
R3877	401 150 6011	MT-GLAZE 0.000 ZA 1/10W	L008	645 059 2249	INDUCTOR,2.2U M
R3878	401 150 6011	MT-GLAZE 0.000 ZA 1/10W	L009	645 059 2249	INDUCTOR,2.2U M
R3879	401 162 3015	MT-GLAZE 22K JA 1/10W	L1001	645 044 8836	FILTER,EMI 100MHZ
R3881	401 162 3015	MT-GLAZE 22K JA 1/10W	L1002	645 044 8836	FILTER,EMI 100MHZ
R3882	401 162 3015	MT-GLAZE 22K JA 1/10W	L1003	645 044 8836	FILTER,EMI 100MHZ
R3883	401 150 5915	MT-GLAZE 10K JA 1/10W	L1004	645 059 2386	FILTER,EMI 100MHZ
R3884	401 150 5915	MT-GLAZE 10K JA 1/10W	L1006	645 059 2386	FILTER,EMI 100MHZ
R3886	401 150 5915	MT-GLAZE 10K JA 1/10W	L1007	645 059 2386	FILTER,EMI 100MHZ
R3887	401 150 5915	MT-GLAZE 10K JA 1/10W	L1011	401 035 4118	MT-GLAZE 0.000 ZA 1/8W
R3888	401 150 6011	MT-GLAZE 0.000 ZA 1/10W	L1012	401 035 4118	MT-GLAZE 0.000 ZA 1/8W
R3889	401 150 6011	MT-GLAZE 0.000 ZA 1/10W	L1013	645 059 2249	INDUCTOR,2.2U M
R3891	401 162 3015	MT-GLAZE 22K JA 1/10W	L1018	645 045 6183	FILTER,EMI 25MHZ
R3892	401 162 3015	MT-GLAZE 22K JA 1/10W	L1019	645 045 6183	FILTER,EMI 25MHZ
R3893	401 162 3015	MT-GLAZE 22K JA 1/10W	L1021	645 045 6183	FILTER,EMI 25MHZ
R3894	401 162 3015	MT-GLAZE 22K JA 1/10W	L1023	645 045 6183	FILTER,EMI 25MHZ
R3896	401 255 6510	MT-GLAZE 100 JA 1/10W	L1024	645 045 6183	FILTER,EMI 25MHZ
R3897	401 255 6510	MT-GLAZE 100 JA 1/10W	L1114	645 044 8850	FILTER,EMI 400MHZ
R3898	401 255 6510	MT-GLAZE 100 JA 1/10W	L1116	645 044 8850	FILTER,EMI 400MHZ
R3899	401 255 6510	MT-GLAZE 100 JA 1/10W	L1117	645 044 8850	FILTER,EMI 400MHZ
R3901	401 150 6219	MT-GLAZE 1K JA 1/10W	L2004	645 044 8843	FILTER,EMI 200MHZ
R3903	401 256 3815	MT-GLAZE 1.5K JA 1/10W	L2005	645 059 2249	INDUCTOR,2.2U M
R3907	401 150 6011	MT-GLAZE 0.000 ZA 1/10W	L2006	645 044 8843	FILTER,EMI 200MHZ
R3908	401 150 6011	MT-GLAZE 0.000 ZA 1/10W	L2007	401 035 4118	MT-GLAZE 0.000 ZA 1/8W
R3909	401 150 5915	MT-GLAZE 10K JA 1/10W	L2009	645 059 2249	INDUCTOR,2.2U M
R3911	401 150 5915	MT-GLAZE 10K JA 1/10W	L3004	645 044 8843	FILTER,EMI 200MHZ
R3912	401 255 6510	MT-GLAZE 100 JA 1/10W	L3006	645 044 8843	FILTER,EMI 200MHZ
R4001	401 255 6510	MT-GLAZE 100 JA 1/10W	L3007	401 035 4118	MT-GLAZE 0.000 ZA 1/8W
R4003	401 150 5915	MT-GLAZE 10K JA 1/10W	L3008	645 059 2249	INDUCTOR,2.2U M
R4004	401 150 5915	MT-GLAZE 10K JA 1/10W	L3801	645 059 2393	FILTER,EMI 20MHZ
R4006	401 264 5313	MT-GLAZE 2.2 JA 1/10W	L3802	645 059 2393	FILTER,EMI 20MHZ
R4007	401 150 6219	MT-GLAZE 1K JA 1/10W	L3803	645 059 2393	FILTER,EMI 20MHZ
R4008	401 150 6219	MT-GLAZE 1K JA 1/10W	L3804	645 059 2393	FILTER,EMI 20MHZ
R5014	401 255 6510	MT-GLAZE 100 JA 1/10W	DIODE		
R5016	401 255 6510	MT-GLAZE 100 JA 1/10W	D001	407 149 0817	DIODE 1SS355-TE-17
R5017	401 150 6110	MT-GLAZE 2.2K JA 1/10W	D1001	407 221 7116	ZENER DIODE UDZS-TE-1712B
R5018	401 150 6110	MT-GLAZE 2.2K JA 1/10W	D1009	407 218 7716	ZENER DIODE UDZS20B-TE-17
R5019	401 255 6510	MT-GLAZE 100 JA 1/10W	D1011	407 218 7716	ZENER DIODE UDZS20B-TE-17
R5020	401 150 5915	MT-GLAZE 10K JA 1/10W	D1013	407 218 7716	ZENER DIODE UDZS20B-TE-17
R5022	401 150 5915	MT-GLAZE 10K JA 1/10W	D1014	407 218 7716	ZENER DIODE UDZS20B-TE-17
R5023	401 150 5915	MT-GLAZE 10K JA 1/10W	D1017	407 223 0511	ZENER DIODE 02DZ12Y(TPH3)
R5024	401 150 5915	MT-GLAZE 10K JA 1/10W	D1018	407 223 0511	ZENER DIODE 02DZ12Y(TPH3)
R5025	401 150 5915	MT-GLAZE 10K JA 1/10W	D1061	407 201 2721	DIODE RB051L-40-TE25
R5026	401 162 3619	MT-GLAZE 470 JA 1/10W	D2001	407 149 0817	DIODE 1SS355-TE-17
R5027	401 150 6011	MT-GLAZE 0.000 ZA 1/10W	D3001	407 149 0817	DIODE 1SS355-TE-17
R5028	401 150 6011	MT-GLAZE 0.000 ZA 1/10W	D3002	407 149 0817	DIODE 1SS355-TE-17
R5029	401 150 5915	MT-GLAZE 10K JA 1/10W	D3003	407 149 0817	DIODE 1SS355-TE-17

Electrical Parts List

Key No.	Part No.	Description	Key No.	Part No.	Description
D3004	407 149 0817	DIODE 1SS355-TE-17	IC8703	409 400 7115	IC TC7W53FU-(TE12L)
D3006	407 149 0817	DIODE 1SS355-TE-17	CAPACITOR		
D3007	407 149 0817	DIODE 1SS355-TE-17	C8701	403 164 0214	CERAMIC 0.1U Z 25V
D3008	407 149 0817	DIODE 1SS355-TE-17	C8702	403 391 5112	ELECT 100U M 16V
D3009	407 149 0817	DIODE 1SS355-TE-17	C8703	403 391 5112	ELECT 100U M 16V
D3013	407 149 0817	DIODE 1SS355-TE-17	C8704	403 164 0214	CERAMIC 0.1U Z 25V
D3801	407 149 0817	DIODE 1SS355-TE-17	C8706	403 164 0214	CERAMIC 0.1U Z 25V
D3802	407 209 1211	ZD UDZS-TE-176.2B	C8707	403 164 0214	CERAMIC 0.1U Z 25V
D3803	407 209 1211	ZD UDZS-TE-176.2B	C8713	403 391 5112	ELECT 100U M 16V
D3804	407 209 1211	ZD UDZS-TE-176.2B	C8714	403 164 0214	CERAMIC 0.1U Z 25V
D3806	407 149 0817	DIODE 1SS355-TE-17	C8716	403 392 1212	ELECT 47U M 6.3V
D3807	407 149 0817	DIODE 1SS355-TE-17	C8717	403 164 0214	CERAMIC 0.1U Z 25V
D4001	407 190 4116	DIODE SFPL-52V	C8718	403 392 1212	ELECT 47U M 6.3V
D5011	407 149 0817	DIODE 1SS355-TE-17	C8719	403 164 0214	CERAMIC 0.1U Z 25V
D5012	407 149 0817	DIODE 1SS355-TE-17	C8724	403 164 0214	CERAMIC 0.1U Z 25V
D7301	407 201 2721	DIODE RB051L-40-TE25	RESISTOR		
D7309	407 206 6318	ZD UDZS-TE-175.1B	R8701	401 190 1717	MT-GLAZE 0.000 ZA 1W
MISCELLANEOUS			R8701TM	401 035 4118	MT-GLAZE 0.000 ZA 1/8W
IC3802	407 223 7312	PC TLP421F(D4-GB-TP4)	R8702	401 162 2216	MT-GLAZE 10 JA 1/10W
K00A	645 000 2571	JACK,PHONE D8.0	R8704	401 256 4911	MT-GLAZE 360 JA 1/10W
K00B	645 000 2571	JACK,PHONE D8.0	R8706	401 190 1717	MT-GLAZE 0.000 ZA 1W
K00C	645 041 3506	JACK,RCA-2	R8707	401 150 5915	MT-GLAZE 10K JA 1/10W
K10A	645 041 3537	JACK,RCA-3	R8708	401 162 2216	MT-GLAZE 10 JA 1/10W
K10B	610 010 8295	SOCKET,DIN 4P	R8709	401 162 2216	MT-GLAZE 10 JA 1/10W
K20A	645 036 5201	SOCKET,BNC 5P	R8711	401 162 2216	MT-GLAZE 10 JA 1/10W
K30A	645 009 8093	SOCKET,D-SUB 15P	R8716	401 162 2216	MT-GLAZE 10 JA 1/10W
K38A	645 000 2595	SOCKET,DIN 8P	R8717	401 162 2216	MT-GLAZE 10 JA 1/10W
K38B	645 064 5921	UNIT,REMOCON RECEIVER	R8718	401 150 6219	MT-GLAZE 1K JA 1/10W
K38C	645 017 1680	JACK,PHONE D3.6	R8722	401 150 5915	MT-GLAZE 10K JA 1/10W
K38D	645 028 0382	SOCKET,USB 4P	R8723	401 162 2216	MT-GLAZE 10 JA 1/10W
K40F	645 078 7997	SOCKET,DVI 24P	COIL		
SC001	645 076 3502	SURGE-ABSORBER	L8701	401 035 4118	MT-GLAZE 0.000 ZA 1/8W
SC002	645 076 3502	SURGE-ABSORBER	L8702	401 035 4118	MT-GLAZE 0.000 ZA 1/8W
SC003	645 076 3502	SURGE-ABSORBER	L8703	401 035 4118	MT-GLAZE 0.000 ZA 1/8W
SC004	645 076 3502	SURGE-ABSORBER	DIODE		
SC006	645 076 3502	SURGE-ABSORBER	D8703	407 223 5011	DIODE D1FM3
SC007	645 076 3502	SURGE-ABSORBER	D8704	407 149 0817	DIODE 1SS355-TE-17
SC1001	645 076 3502	SURGE-ABSORBER	D8706	407 149 0817	DIODE 1SS355-TE-17
SC1002	645 076 3502	SURGE-ABSORBER	D8707	407 149 0817	DIODE 1SS355-TE-17
SC1003	645 076 3502	SURGE-ABSORBER	D8708	407 149 0817	DIODE 1SS355-TE-17
SC1004	645 076 3502	SURGE-ABSORBER	MISCELLANEOUS		
SC1006	645 076 3502	SURGE-ABSORBER	K87C	645 051 9611	PLUG,D-SUB 25P
SC2001	645 076 3502	SURGE-ABSORBER	SC8701	645 076 3502	SURGE-ABSORBER
SC2002	645 076 3502	SURGE-ABSORBER	SC8702	645 076 3502	SURGE-ABSORBER
SC2003	645 076 3502	SURGE-ABSORBER	SC8703	645 076 3502	SURGE-ABSORBER
SC2004	645 076 3502	SURGE-ABSORBER	SC8704	645 076 3502	SURGE-ABSORBER
SC2006	645 076 3502	SURGE-ABSORBER	SC8706	645 076 3502	SURGE-ABSORBER
SC3001	645 076 3502	SURGE-ABSORBER	SC8707	645 076 3502	SURGE-ABSORBER
SC3002	645 076 3502	SURGE-ABSORBER	SC8708	645 076 3502	SURGE-ABSORBER
SC3003	645 076 3502	SURGE-ABSORBER	SC8709	645 076 3502	SURGE-ABSORBER
SC3004	645 076 3502	SURGE-ABSORBER	POWER BOARD 610 328 8383 ASSY,PWB,POWER KE6B TRANSISTOR Q601 405 161 9600 TR SPP20N60S5 Q602 405 161 9600 TR SPP20N60S5 Q621 405 014 4519 TR 2SC2412K T146 R 405 014 4618 TR 2SC2412K T146 S 405 015 8724 TR 2SC2812-L6-TB 405 015 8922 TR 2SC2812-L7-TB 405 163 1612 TR 2SC2812N-L6-TB0 Q622 405 134 5925 TR 2SA1037AK-T146-R 405 147 2215 TR 2SA1037AK-S-T146 405 002 0318 TR 2SA1037K T146 R 405 002 0417 TR 2SA1037K T146 S 405 002 6726 TR 2SA1179-M6-TB 405 002 6924 TR 2SA1179-M7-TB 405 163 1513 TR 2SA1179N-M6-TB Q623 405 014 4519 TR 2SC2412K T146 R 405 014 4618 TR 2SC2412K T146 S 405 015 8724 TR 2SC2812-L6-TB 405 015 8922 TR 2SC2812-L7-TB 405 163 1612 TR 2SC2812N-L6-TB0		
SC3006	645 076 3502	SURGE-ABSORBER			
SC3801	645 076 3502	SURGE-ABSORBER			
SC3802	645 076 3502	SURGE-ABSORBER			
SC3803	645 076 3502	SURGE-ABSORBER			
SC3804	645 076 3502	SURGE-ABSORBER			
SC4001	645 076 3502	SURGE-ABSORBER			
SW4001	645 042 8197	SWITCH,PUSH 1P-1TX1			
X3801	645 053 9114	OSC,CERAMIC 6.000MHZ			
X3802	645 053 3877	OSC,CERAMIC 5.00MHZ			
I/F BOARD					
610 328 3043 ASSY,PWB I/F KE6A					
TRANSISTOR					
Q8701	405 047 9017	TR 2SB1204-S-TL			
Q8702	405 014 4519	TR 2SC2412K T146 R			
	405 014 4618	TR 2SC2412K T146 S			
	405 015 8724	TR 2SC2812-L6-TB			
	405 015 8922	TR 2SC2812-L7-TB			
	405 163 1612	TR 2SC2812N-L6-TB0			
INTEGRATED CIRCUIT					
IC8701	409 416 6416	IC BA033FP-E2			
IC8702	409 416 6416	IC BA033FP-E2			

Key No.	Part No.	Description	Key No.	Part No.	Description
Q651	405 134 5925	TR 2SA1037AK-T146-R	R604	401 258 8214	MT-GLAZE 680 JA 1/3W
	405 147 2215	TR 2SA1037AK-S-T146	R606	402 080 8806	MT-GLAZE 680 KA 1W
	405 002 0318	TR 2SA1037K T146 R	R613	402 095 0604	RESISTER 0.15 JB 5W
	405 002 0417	TR 2SA1037K T146 S	R614	402 095 0604	RESISTER 0.15 JB 5W
	405 002 6726	TR 2SA1179-M6-TB	R615	401 255 6510	MT-GLAZE 100 JA 1/10W
	405 002 6924	TR 2SA1179-M7-TB	R616	401 150 6219	MT-GLAZE 1K JA 1/10W
	405 163 1513	TR 2SA1179N-M6-TB	R617	401 256 3617	MT-GLAZE 15K JA 1/10W
Q652	405 014 4519	TR 2SC2412K T146 R	R618	401 162 2216	MT-GLAZE 10 JA 1/10W
	405 014 4618	TR 2SC2412K T146 S	R619	401 150 6011	MT-GLAZE 0.000 ZA 1/10W
	405 015 8724	TR 2SC2812-L6-TB	R620	401 255 6510	MT-GLAZE 100 JA 1/10W
	405 015 8922	TR 2SC2812-L7-TB	R621	401 255 8712	MT-GLAZE 22 JA 1/10W
	405 163 1612	TR 2SC2812N-L6-TB0	R622	401 264 9915	MT-GLAZE 36K FA 1/10W
Q681	405 014 4519	TR 2SC2412K T146 R	R623	401 256 1415	MT-GLAZE 330K JA 1/10W
	405 014 4618	TR 2SC2412K T146 S	R624	401 162 2711	MT-GLAZE 180 JA 1/10W
	405 015 8724	TR 2SC2812-L6-TB	R625	401 265 0911	MT-GLAZE 4.7 JA 1/10W
	405 015 8922	TR 2SC2812-L7-TB	R626	401 152 3216	MT-GLAZE 330 JA 1/10W
	405 163 1612	TR 2SC2812N-L6-TB0	R627	401 265 0911	MT-GLAZE 4.7 JA 1/10W
INTEGRATED CIRCUIT			R628	401 255 6510	MT-GLAZE 100 JA 1/10W
IC601	409 523 1410	IC FA5502M	R630	401 256 7516	MT-GLAZE 390 JA 1/10W
IC651	409 558 4209	IC STR-Z2156A	R631	401 150 5915	MT-GLAZE 10K JA 1/10W
IC681	409 344 6529	IC UPC1093T-E1	R632	401 150 6417	MT-GLAZE 4.3K JA 1/10W
CAPACITOR			R633	401 162 3817	MT-GLAZE 470K JA 1/10W
C607	403 260 1620	MT-POLYEST 1U J 400V	R634	401 256 5819	MT-GLAZE 270K JA 1/10W
	403 433 4516	MT-POLYEST 1U K 400V	R635	401 255 6510	MT-GLAZE 100 JA 1/10W
C608	403 222 1323	CERAMIC 1000P K 1K	R636	401 152 3117	MT-GLAZE 620 JA 1/10W
C609	403 222 1323	CERAMIC 1000P K 1K	R637	401 264 2817	MT-GLAZE 1.2K FA 1/10W
C611	403 260 1620	MT-POLYEST 1U J 400V	R638	401 259 9012	MT-GLAZE 150K FA 1/2W
	403 433 4516	MT-POLYEST 1U K 400V	R639	401 259 9012	MT-GLAZE 150K FA 1/2W
C612	403 433 2819	ELECT 220U M 35V	R641	401 259 9012	MT-GLAZE 150K FA 1/2W
C613	403 410 7110	ELECT 100U M 25V	R642	401 259 9012	MT-GLAZE 150K FA 1/2W
C614	403 410 7110	ELECT 100U M 25V	R647	401 256 6618	MT-GLAZE 68K JA 1/10W
C616	404 088 2602	ELECT 390U M 450V	R648	401 162 2414	MT-GLAZE 1.2K JA 1/10W
	404 093 9603	ELECT 390U M 450V	R649	401 255 9511	MT-GLAZE 220K JA 1/10W
C618	403 427 1811	MT-POLYEST 0.1U K 450V	R650	401 255 8514	MT-GLAZE 9.1K JA 1/10W
C619	403 298 9619	CERAMIC 0.1U K 16V	R651	401 237 0017	MT-GLAZE 47K JA 1W
C621	403 205 2818	CERAMIC 0.047U K 25V	R652	401 237 0017	MT-GLAZE 47K JA 1W
C622	403 157 6414	CERAMIC 330P K 50V	R653	401 237 0017	MT-GLAZE 47K JA 1W
C623	403 215 2211	CERAMIC 0.01U K 50V	R654	401 237 0017	MT-GLAZE 47K JA 1W
C624	403 164 0214	CERAMIC 0.1U Z 25V	R655	401 162 4012	MT-GLAZE 560 JA 1/10W
C625	403 398 7119	ELECT 4.7U M 50V	R656	401 237 0017	MT-GLAZE 47K JA 1W
C626	403 164 0214	CERAMIC 0.1U Z 25V	R657	401 237 0017	MT-GLAZE 47K JA 1W
C627	403 164 0214	CERAMIC 0.1U Z 25V	△R658	402 081 2902	FUSIBLE RES 22 JH 1/2W
C628	403 157 3314	CERAMIC 68P J 50V	R659	401 238 4519	MT-GLAZE 47 JA 1/3W
C629	403 157 6612	CERAMIC 470P K 50V	△R660	402 081 2902	FUSIBLE RES 22 JH 1/2W
C631	403 298 9619	CERAMIC 0.1U K 16V	R661	424 006 1302	FUSE 250V 2.5A
C632	403 164 0214	CERAMIC 0.1U Z 25V	R671	401 150 6219	MT-GLAZE 1K JA 1/10W
C633	403 164 0214	CERAMIC 0.1U Z 25V	R672	401 257 7416	MT-GLAZE 120 JA 1/3W
C636	403 427 1811	MT-POLYEST 0.1U K 450V	R673	401 162 3718	MT-GLAZE 4.7K JA 1/10W
C650	403 164 0214	CERAMIC 0.1U Z 25V	R674	401 150 5915	MT-GLAZE 10K JA 1/10W
C651	403 268 7010	TA-SOLID 2.2U M 35V	R679	401 265 0218	MT-GLAZE 390 FA 1/10W
C652	403 256 2416	CERAMIC 0.22U Z 50V	R680	401 264 9410	MT-GLAZE 33K FA 1/10W
C653	403 113 3815	CERAMIC 1000P K 50V	R681	401 150 5915	MT-GLAZE 10K JA 1/10W
C654	403 247 3316	CERAMIC 330P K 2K	R682	401 256 6212	MT-GLAZE 270 JA 1/10W
C656	403 164 0214	CERAMIC 0.1U Z 25V	R683	401 150 6219	MT-GLAZE 1K JA 1/10W
C657	403 218 8814	CERAMIC 220P K 2K	R685	401 256 7615	MT-GLAZE 3.9K JA 1/10W
C658	403 083 4317	POLYPRO 0.022U J 400V	R686	401 150 6219	MT-GLAZE 1K JA 1/10W
C659	403 157 6810	CERAMIC 680P K 50V	R687	401 265 3912	MT-GLAZE 6.2K FA 1/10W
C661	403 208 1412	TA-SOLID 1U M 25V	R689	401 150 6219	MT-GLAZE 1K JA 1/10W
	403 411 5719	TA-SOLID 1U M 25V	R690	401 162 2216	MT-GLAZE 10 JA 1/10W
C662	403 411 1820	ELECT 220U M 35V	R691	401 256 5918	MT-GLAZE 2.7K JA 1/10W
C663	403 164 0214	CERAMIC 0.1U Z 25V	R692	401 150 6219	MT-GLAZE 1K JA 1/10W
C664	403 281 5215	CERAMIC 0.22U Z 16V	R693	401 150 5915	MT-GLAZE 10K JA 1/10W
C681	403 410 7526	ELECT 4700U M 25V	R694	401 162 3718	MT-GLAZE 4.7K JA 1/10W
C682	403 164 0214	CERAMIC 0.1U Z 25V	R695	401 150 6219	MT-GLAZE 1K JA 1/10W
C683	403 410 6836	ELECT 4700U M 10V	R699	401 238 4212	MT-GLAZE 1.5K JA 1/3W
C684	403 164 0214	CERAMIC 0.1U Z 25V	VARIABLE RESISTOR		
C685	403 399 2123	ELECT 220U M 16V	VR601	645 025 7414	VR, SEMI, 1K S
C686	403 323 1311	CERAMIC 0.47U Z 10V	VR681	645 025 7414	VR, SEMI, 1K S
C688	403 164 0214	CERAMIC 0.1U Z 25V	TRANSFORMER		
C689	403 410 7417	ELECT 470U M 25V	T601	645 085 7027	INDUCTOR, 625U
C692	403 323 8815	CERAMIC 2.2U Z 16V	△T651	645 085 7034	TRANS, POWER, PULSE
RESISTOR			COIL		
R602	401 242 3911	MT-GLAZE 240K JA 1/2W	L603	645 081 4877	LINE FILTER
R603	401 242 3911	MT-GLAZE 240K JA 1/2W	L681	645 048 5374	INDUCTOR, 100U K

Electrical Parts List

Key No.	Part No.	Description	Key No.	Part No.	Description
DIODE					
D601	407 247 8824	DIODE RF101L2S	Q6611	405 163 1612	TR 2SC2812N-L6-TB0
	407 190 4116	DIODE SFPL-52V	Q6612	405 217 8512	TR RSQ025P03-TR
D602	407 247 8824	DIODE RF101L2S	Q6613	405 047 9017	TR 2SB1204-S-TL
	407 190 4116	DIODE SFPL-52V		405 014 4519	TR 2SC2412K T146 R
D603	407 164 4012	DIODE RB160L-40-TE25		405 014 4618	TR 2SC2412K T146 S
	407 149 6324	DIODE SFPB-54V		405 015 8724	TR 2SC2812-L6-TB
D604	407 225 4408	DIODE FMX-G26S		405 015 8922	TR 2SC2812-L7-TB
D605	407 223 0818	ZENER DIODE 02DZ22Y(TPH3)	Q6614	405 163 1612	TR 2SC2812N-L6-TB0
D606	407 149 0817	DIODE 1SS355-TE-17	Q6616	405 151 2010	TR FSS134-TL
D607	407 149 0817	DIODE 1SS355-TE-17	Q6617	405 151 2010	TR FSS134-TL
D608	407 149 0817	DIODE 1SS355-TE-17	Q6618	405 213 7717	TR UPA1730TP-E1
D609	407 149 0817	DIODE 1SS355-TE-17		405 014 4519	TR 2SC2412K T146 R
D610	407 164 4012	DIODE RB160L-40-TE25		405 014 4618	TR 2SC2412K T146 S
	407 149 6324	DIODE SFPB-54V		405 015 8724	TR 2SC2812-L6-TB
D611	407 223 1112	ZENER DIODE 02DZ6.2Y(TPH3)		405 015 8922	TR 2SC2812-L7-TB
D612	407 149 0817	DIODE 1SS355-TE-17	Q6621	405 163 1612	TR 2SC2812N-L6-TB0
D615	407 149 0817	DIODE 1SS355-TE-17		405 014 4519	TR 2SC2412K T146 R
D651	407 247 8824	DIODE RF101L2S		405 014 4618	TR 2SC2412K T146 S
	407 190 4116	DIODE SFPL-52V		405 015 8724	TR 2SC2812-L6-TB
D652	407 226 7111	DIODE SC311-06		405 015 8922	TR 2SC2812-L7-TB
D653	407 223 0511	ZENER DIODE 02DZ12Y(TPH3)	Q6622	405 163 1612	TR 2SC2812N-L6-TB0
D654	407 149 0817	DIODE 1SS355-TE-17		405 014 4519	TR 2SC2412K T146 R
D681	407 202 9808	DIODE FMB-26L		405 014 4618	TR 2SC2412K T146 S
	407 253 7501	DIODE RB085T-60		405 015 8724	TR 2SC2812-L6-TB
D682	407 202 9808	DIODE FMB-26L		405 015 8922	TR 2SC2812-L7-TB
	407 253 7501	DIODE RB085T-60	Q6623	405 163 1612	TR 2SC2812N-L6-TB0
D683	407 247 8824	DIODE RF101L2S		405 014 4519	TR 2SC2412K T146 R
	407 190 4116	DIODE SFPL-52V		405 014 4618	TR 2SC2412K T146 S
D684	407 247 8824	DIODE RF101L2S		405 015 8724	TR 2SC2812-L6-TB
	407 190 4116	DIODE SFPL-52V		405 015 8922	TR 2SC2812-L7-TB
D686	407 223 1112	ZENER DIODE 02DZ6.2Y(TPH3)	Q6624	405 163 1612	TR 2SC2812N-L6-TB0
DB601	407 143 6003	DIODE RBV-1506		405 014 4519	TR 2SC2412K T146 R
	408 045 4906	DIODE RBV-1506 LF-B		405 014 4618	TR 2SC2412K T146 S
DS601	407 219 0805	THYRISTOR TF861S		405 015 8724	TR 2SC2812-L6-TB
				405 015 8922	TR 2SC2812-L7-TB
				405 163 1612	TR 2SC2812N-L6-TB0
MISCELLANEOUS			INTEGRATED CIRCUIT		
FB601	610 244 3974	CORE	IC6601	409 531 6226	IC FA7701V-TE1
FB602	610 244 3974	CORE	IC6603	409 531 6226	IC FA7701V-TE1
△PC601	407 223 7312	PC TLP421F(D4-GB-TP4)	IC6606	409 531 6226	IC FA7701V-TE1
	407 223 8319	PC TLP421F(D4-GR-TP4)	IC6608	409 446 9319	IC NJM2125F-TE1
△PC602	407 223 7312	PC TLP421F(D4-GB-TP4)	IC6609	409 654 4618	IC XC6365D103MR
	407 223 8319	PC TLP421F(D4-GR-TP4)	CAPACITOR		
△PC603	407 223 7312	PC TLP421F(D4-GB-TP4)	C6601	403 393 0016	ELECT 470U M 25V
	407 223 8319	PC TLP421F(D4-GR-TP4)	C6602	403 372 7517	CERAMIC 2.2U K 6.3V
PTH601	408 037 5607	THERMISTOR NTH11D8R0LC	C6604	403 164 0214	CERAMIC 0.1U Z 25V
PTH651	408 053 4509	THERMISTOR PTFM04BD222Q2N34	C6606	403 401 3718	ELECT 680U M 16V
			C6607	403 155 2319	CERAMIC 4700P K 50V
			C6608	403 164 0214	CERAMIC 0.1U Z 25V
			C6611	403 352 8213	CERAMIC 0.47U Z 16V
			C6621	403 372 7517	CERAMIC 2.2U K 6.3V
			C6623	403 164 0214	CERAMIC 0.1U Z 25V
			C6624	403 401 3718	ELECT 680U M 16V
			C6626	403 155 2319	CERAMIC 4700P K 50V
			C6627	403 164 0214	CERAMIC 0.1U Z 25V
			C6629	403 352 8213	CERAMIC 0.47U Z 16V
			C6630	403 376 3119	ELECT 100U M 25V
			C6631	403 376 3119	ELECT 100U M 25V
			C6632	403 281 5215	CERAMIC 0.22U Z 16V
			C6634	403 164 0214	CERAMIC 0.1U Z 25V
			C6636	403 381 5610	ELECT 220U M 16V
			C6637	403 155 2319	CERAMIC 4700P K 50V
			C6638	403 164 0214	CERAMIC 0.1U Z 25V
			C6639	403 376 3119	ELECT 100U M 25V
			C6640	403 381 5610	ELECT 220U M 16V
			C6641	403 164 0214	CERAMIC 0.1U Z 25V
			C6651	403 164 0214	CERAMIC 0.1U Z 25V
			C6652	403 397 5819	ELECT 1000U M 10V
			C6653	403 164 0214	CERAMIC 0.1U Z 25V
			C6654	403 420 2112	EP-ELECT 820U M 4V
			C6656	403 310 8316	CERAMIC 10U Z 10V
			C6657	403 397 5918	ELECT 1000U M 10V
			C6658	403 310 8316	CERAMIC 10U Z 10V
			C6659	403 397 5918	ELECT 1000U M 10V
SUB POWER BOARD					
610 328 8413 ASSY,PWB,SUB POWER KE6B					
TRANSISTOR					
Q6601	405 151 2010	TR FSS134-TL			
Q6602	405 139 7716	TR IMZ1A-T108			
Q6603	405 217 8512	TR RSQ025P03-TR			
Q6604	405 139 7716	TR IMZ1A-T108			
Q6606	405 014 4519	TR 2SC2412K T146 R			
	405 014 4618	TR 2SC2412K T146 S			
	405 015 8724	TR 2SC2812-L6-TB			
	405 015 8922	TR 2SC2812-L7-TB			
	405 163 1612	TR 2SC2812N-L6-TB0			
Q6607	405 014 4519	TR 2SC2412K T146 R			
	405 014 4618	TR 2SC2412K T146 S			
	405 015 8724	TR 2SC2812-L6-TB			
	405 015 8922	TR 2SC2812-L7-TB			
	405 163 1612	TR 2SC2812N-L6-TB0			
Q6608	405 014 4519	TR 2SC2412K T146 R			
	405 014 4618	TR 2SC2412K T146 S			
	405 015 8724	TR 2SC2812-L6-TB			
	405 015 8922	TR 2SC2812-L7-TB			
	405 163 1612	TR 2SC2812N-L6-TB0			
Q6609	405 014 4519	TR 2SC2412K T146 R			
	405 014 4618	TR 2SC2412K T146 S			
	405 015 8724	TR 2SC2812-L6-TB			
	405 015 8922	TR 2SC2812-L7-TB			

Key No.	Part No.	Description	Key No.	Part No.	Description
C6661	403 169 2817	CERAMIC 330P J 50V	R6692	401 255 7418	MT-GLAZE 51K JA 1/10W
C6662	403 420 2112	EP-ELECT 820U M 4V	R6693	401 255 6411	MT-GLAZE 3K JA 1/10W
C6663	403 347 5517	POS-SOLID 470U M 4V	R6694	401 332 6013	MT-GLAZE 0.056 JA 1/2W
C6664	403 310 8316	CERAMIC 10U Z 10V	R6696	401 150 6110	MT-GLAZE 2.2K JA 1/10W
C6666	403 265 3213	CERAMIC 1000P J 50V	R6697	401 255 6114	MT-GLAZE 20K JA 1/10W
C6668	403 164 0214	CERAMIC 0.1U Z 25V	R6699	401 150 5915	MT-GLAZE 10K JA 1/10W
C6669	403 310 8316	CERAMIC 10U Z 10V	R6702	401 256 5314	MT-GLAZE 56K JA 1/10W
C6671	403 164 0214	CERAMIC 0.1U Z 25V	R6703	401 256 1415	MT-GLAZE 330K JA 1/10W
C6672	403 381 5610	ELECT 220U M 16V	R6704	401 255 6114	MT-GLAZE 20K JA 1/10W
C6673	403 164 0214	CERAMIC 0.1U Z 25V	R6706	401 256 5314	MT-GLAZE 56K JA 1/10W
C6674	403 381 5610	ELECT 220U M 16V	R6707	401 150 5915	MT-GLAZE 10K JA 1/10W
C6676	403 164 0214	CERAMIC 0.1U Z 25V	R6708	401 256 6014	MT-GLAZE 27K JA 1/10W
C6677	403 381 5610	ELECT 220U M 16V	R6711	401 150 5915	MT-GLAZE 10K JA 1/10W
C6678	403 164 0214	CERAMIC 0.1U Z 25V	R6712	401 150 5915	MT-GLAZE 10K JA 1/10W
C6679	403 310 8316	CERAMIC 10U Z 10V	R6713	401 150 6011	MT-GLAZE 0.000 ZA 1/10W
C6681	403 381 5610	ELECT 220U M 16V	R6714	401 150 6219	MT-GLAZE 1K JA 1/10W
C6682	403 381 5610	ELECT 220U M 16V	R6716	401 150 6219	MT-GLAZE 1K JA 1/10W
C6683	403 164 0214	CERAMIC 0.1U Z 25V	R6788	401 256 6311	MT-GLAZE 47K JA 1/10W
C6684	403 164 0214	CERAMIC 0.1U Z 25V	COIL		
C6686	403 164 0214	CERAMIC 0.1U Z 25V	L6601	645 037 4807	INDUCTOR, 33U M
C6695	403 164 0214	CERAMIC 0.1U Z 25V	L6602	645 033 7949	INDUCTOR, 33U M
RESISTOR			L6603	645 037 4791	INDUCTOR, 100U M
R6601	401 224 6213	MT-GLAZE 10M JA 1/10W	L6604	645 079 8467	INDUCTOR, 5.6U N
R6602	401 255 7012	MT-GLAZE 51 JA 1/10W	DIODE		
R6603	401 150 5816	MT-GLAZE 100K JA 1/10W	D6601	407 223 5011	DIODE D1FM3
R6604	401 256 6014	MT-GLAZE 27K JA 1/10W	D6602	407 223 5011	DIODE D1FM3
R6606	401 150 5915	MT-GLAZE 10K JA 1/10W	D6603	407 223 5011	DIODE D1FM3
R6607	401 256 6014	MT-GLAZE 27K JA 1/10W	D6604	407 223 5011	DIODE D1FM3
R6611	401 150 6110	MT-GLAZE 2.2K JA 1/10W	D6606	407 223 5011	DIODE D1FM3
R6613	401 162 4111	MT-GLAZE 5.6K JA 1/10W	D6611	407 149 0817	DIODE 1SS355-TE-17
R6616	401 150 6219	MT-GLAZE 1K JA 1/10W	D6612	407 149 0817	DIODE 1SS355-TE-17
R6618	401 150 5915	MT-GLAZE 10K JA 1/10W	D6613	407 149 0817	DIODE 1SS355-TE-17
R6619	401 150 5915	MT-GLAZE 10K JA 1/10W	D6614	407 149 0817	DIODE 1SS355-TE-17
R6621	401 150 5915	MT-GLAZE 10K JA 1/10W	D6616	407 149 0817	DIODE 1SS355-TE-17
R6624	401 150 5915	MT-GLAZE 10K JA 1/10W			
R6626	401 256 6014	MT-GLAZE 27K JA 1/10W	DRIVE BOARD		
R6627	401 150 5915	MT-GLAZE 10K JA 1/10W	610 328 8437 ASSY,PWB,DRIVE KE6B		
R6628	401 256 6014	MT-GLAZE 27K JA 1/10W	TRANSISTOR		
R6631	401 224 6213	MT-GLAZE 10M JA 1/10W	Q1631	405 014 4519	TR 2SC2412K T146 R
R6632	401 255 7012	MT-GLAZE 51 JA 1/10W		405 014 4618	TR 2SC2412K T146 S
R6633	401 150 5816	MT-GLAZE 100K JA 1/10W		405 015 8724	TR 2SC2812-L6-TB
R6634	401 256 6014	MT-GLAZE 27K JA 1/10W		405 015 8922	TR 2SC2812-L7-TB
R6636	401 150 5915	MT-GLAZE 10K JA 1/10W		405 163 1612	TR 2SC2812N-L6-TB0
R6637	401 256 6014	MT-GLAZE 27K JA 1/10W	Q1632	405 014 4519	TR 2SC2412K T146 R
R6641	401 150 6110	MT-GLAZE 2.2K JA 1/10W		405 014 4618	TR 2SC2412K T146 S
R6643	401 162 4111	MT-GLAZE 5.6K JA 1/10W		405 015 8724	TR 2SC2812-L6-TB
R6646	401 150 6219	MT-GLAZE 1K JA 1/10W		405 015 8922	TR 2SC2812-L7-TB
R6648	401 150 5915	MT-GLAZE 10K JA 1/10W		405 163 1612	TR 2SC2812N-L6-TB0
R6649	401 150 5915	MT-GLAZE 10K JA 1/10W	Q1633	405 014 4519	TR 2SC2412K T146 R
R6649	401 150 5915	MT-GLAZE 10K JA 1/10W		405 014 4618	TR 2SC2412K T146 S
R6651	401 150 5915	MT-GLAZE 10K JA 1/10W		405 015 8724	TR 2SC2812-L6-TB
R6656	401 265 4414	MT-GLAZE 6.8K FA 1/10W		405 015 8922	TR 2SC2812-L7-TB
R6657	401 150 5915	MT-GLAZE 10K JA 1/10W		405 163 1612	TR 2SC2812N-L6-TB0
R6658	401 256 6014	MT-GLAZE 27K JA 1/10W	Q1634	405 014 4519	TR 2SC2412K T146 R
R6659	401 150 5915	MT-GLAZE 10K JA 1/10W		405 014 4618	TR 2SC2412K T146 S
R6661	401 256 6014	MT-GLAZE 27K JA 1/10W		405 015 8724	TR 2SC2812-L6-TB
R6662	401 150 5915	MT-GLAZE 10K JA 1/10W		405 015 8922	TR 2SC2812-L7-TB
R6663	401 256 6014	MT-GLAZE 27K JA 1/10W		405 163 1612	TR 2SC2812N-L6-TB0
R6666	401 150 5915	MT-GLAZE 10K JA 1/10W	Q1636	405 014 4519	TR 2SC2412K T146 R
R6668	401 150 5915	MT-GLAZE 10K JA 1/10W		405 014 4618	TR 2SC2412K T146 S
R6671	401 150 5915	MT-GLAZE 10K JA 1/10W		405 015 8724	TR 2SC2812-L6-TB
R6672	401 150 5915	MT-GLAZE 10K JA 1/10W		405 015 8922	TR 2SC2812-L7-TB
R6673	401 224 6213	MT-GLAZE 10M JA 1/10W		405 163 1612	TR 2SC2812N-L6-TB0
R6674	401 255 7012	MT-GLAZE 51 JA 1/10W	INTEGRATED CIRCUIT		
R6676	401 150 5816	MT-GLAZE 100K JA 1/10W	IC1601	409 085 1900	IC LB1645N
R6677	401 256 3310	MT-GLAZE 75K JA 1/10W	IC1602	409 114 4803	IC LB1641
R6678	401 150 5915	MT-GLAZE 10K JA 1/10W	IC1611	409 114 4803	IC LB1641
R6679	401 256 7219	MT-GLAZE 18K JA 1/10W	IC1621	409 124 5916	IC L78M12T-TL
R6682	401 162 3114	MT-GLAZE 3.3K JA 1/10W	IC1631	409 461 7829	IC PQ20W211
R6683	401 162 3114	MT-GLAZE 3.3K JA 1/10W	IC1632	409 461 7829	IC PQ20W211
R6684	401 150 6219	MT-GLAZE 1K JA 1/10W	IC1651	409 390 6221	IC EL2244CS
R6687	401 238 4212	MT-GLAZE 1.5K JA 1/3W	IC1652	409 367 1624	IC BH3540AFS-E2
R6688	401 256 6014	MT-GLAZE 27K JA 1/10W	CAPACITOR		
R6689	401 255 9719	MT-GLAZE 82K JA 1/10W			
R6691	401 256 5918	MT-GLAZE 2.7K JA 1/10W			

Electrical Parts List

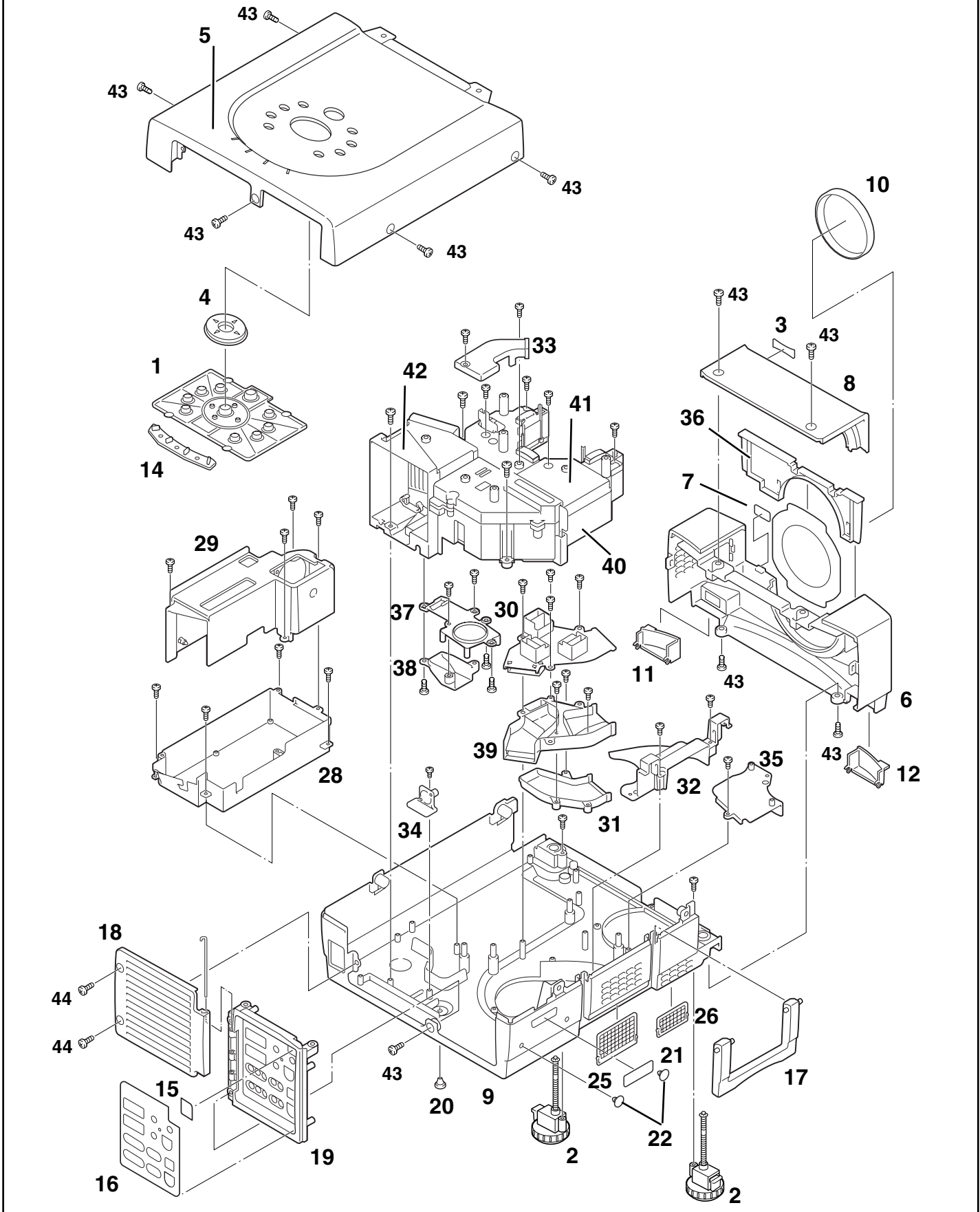
Key No.	Part No.	Description	Key No.	Part No.	Description
C1601	403 410 6915	ELECT 1000U M 16V	R1674	401 256 6915	MT-GLAZE 680 JA 1/10W
C1602	403 149 9218	CERAMIC 0.01U Z 50V	R1675	401 190 1717	MT-GLAZE 0.000 ZA 1W
C1603	403 149 9218	CERAMIC 0.01U Z 50V	R1676	401 225 4614	MT-GLAZE 1.2 JA 1W
C1604	403 399 2123	ELECT 220U M 16V	R1677	401 150 5915	MT-GLAZE 10K JA 1/10W
C1606	403 149 9218	CERAMIC 0.01U Z 50V	R1678	401 150 5915	MT-GLAZE 10K JA 1/10W
C1607	403 149 9218	CERAMIC 0.01U Z 50V	R1679	401 150 5915	MT-GLAZE 10K JA 1/10W
C1612	403 149 9218	CERAMIC 0.01U Z 50V	R1681	401 256 6014	MT-GLAZE 27K JA 1/10W
C1613	403 149 9218	CERAMIC 0.01U Z 50V	DIODE		
C1614	403 399 2123	ELECT 220U M 16V	D1601	407 223 0511	ZENER DIODE 02DZ12Y(TPH3)
C1621	403 409 9910	ELECT 470U M 16V	D1602	407 208 9713	ZD UDZS-TE-175.6B
C1622	403 409 9910	ELECT 470U M 16V	D1604	407 149 0817	DIODE 1SS355-TE-17
C1623	403 164 0214	CERAMIC 0.1U Z 25V	D1611	407 223 1013	ZENER DIODE 02DZ5.1Y(TPH3)
C1624	403 164 0214	CERAMIC 0.1U Z 25V	D1631	407 149 0817	DIODE 1SS355-TE-17
C1626	403 409 9910	ELECT 470U M 16V	D1632	407 149 0817	DIODE 1SS355-TE-17
C1631	403 410 7417	ELECT 470U M 25V	D1653	407 149 0817	DIODE 1SS355-TE-17
C1632	403 164 0214	CERAMIC 0.1U Z 25V	D1675	407 223 1013	ZENER DIODE 02DZ5.1Y(TPH3)
C1633	403 410 7417	ELECT 470U M 25V	FILTER BOARD		
C1634	403 164 0214	CERAMIC 0.1U Z 25V	610 328 8512 ASSY,PWB,FILTER KE6B		
C1636	403 409 9910	ELECT 470U M 16V	CAPACITOR		
C1637	403 409 9910	ELECT 470U M 16V	△C601	404 081 4702	MT-POLYEST 0.22U M 275V
C1661	403 323 8815	CERAMIC 2.2U Z 16V	△C602	404 081 4702	MT-POLYEST 0.22U M 275V
C1671	403 323 8815	CERAMIC 2.2U Z 16V	△C603	404 073 5106	CERAMIC 470P K 250V
C1672	403 323 8815	CERAMIC 2.2U Z 16V	△C604	404 073 5106	CERAMIC 470P K 250V
C1673	403 397 6311	ELECT 22U M 16V	RESISTOR		
C1674	403 391 5112	ELECT 100U M 16V	△R600	401 238 1013	MT-GLAZE 120K JA 1/2W
C1675	403 391 5112	ELECT 100U M 16V	△R601	401 238 1013	MT-GLAZE 120K JA 1/2W
C1676	403 397 6311	ELECT 22U M 16V	COIL		
C1677	401 037 5014	MT-GLAZE 0.000 ZA 1/10W	△L601	645 061 3999	LINE FILTER
C1678	401 037 5014	MT-GLAZE 0.000 ZA 1/10W	MISCELLANEOUS		
C1679	403 164 0214	CERAMIC 0.1U Z 25V	△F601	423 025 1201	FUSE 250V 8A
RESISTOR			△VA601	408 018 9808	VARISTOR ENC471D-14AS
R1601	401 162 3114	MT-GLAZE 3.3K JA 1/10W	PACKING MATERIALS		
R1602	401 162 3114	MT-GLAZE 3.3K JA 1/10W	KE6-X7100		
R1603	401 150 6219	MT-GLAZE 1K JA 1/10W	610 328 7959	CARTON CASE-KE6B	
R1604	401 162 3114	MT-GLAZE 3.3K JA 1/10W	610 288 4425	CUSHION SPACER CORD-MM6A	
R1606	401 162 3114	MT-GLAZE 3.3K JA 1/10W	610 307 2333	CUSHION BTM-MR3B	
R1607	401 150 6219	MT-GLAZE 1K JA 1/10W	610 307 2340	CUSHION TOP-MR3B	
R1612	401 162 3114	MT-GLAZE 3.3K JA 1/10W	645 084 8643	POLY BAG-0700X0600*NC	
R1613	401 162 3114	MT-GLAZE 3.3K JA 1/10W	KE6-X71L00 (different parts)		
R1614	401 150 6219	MT-GLAZE 1K JA 1/10W	610 329 9976	CARTON CASE-KE6BL	
R1621	401 184 2010	MT-GLAZE 2.2 JA 1/2W	ACCESSORIES		
R1622	401 184 2010	MT-GLAZE 2.2 JA 1/2W	KE6-X7100		
R1623	401 184 2010	MT-GLAZE 2.2 JA 1/2W	PRINTED MATTER / OWNER'S MANUAL		
R1624	401 190 1410	MT-GLAZE 0.000 ZA 1/2W	645 086 0522	CD-ROM,OWNERS MANUAL-KE6B	
R1627	401 162 3718	MT-GLAZE 4.7K JA 1/10W	610 330 7343	LENS INST MANUAL-MR3B	
R1628	401 150 6219	MT-GLAZE 1K JA 1/10W	610 330 3871	SETUP INST MANUAL-KE6B	
R1629	401 150 6219	MT-GLAZE 1K JA 1/10W	REMOTE CONTROL		
R1630	401 276 4717	MT-GLAZE 0.000 ZA 1/3W	645 071 1176	ASSY,REMOCON CXSM	
R1631	401 276 4717	MT-GLAZE 0.000 ZA 1/3W	610 303 6489	RC-BATTERY LID-CXMA	
R1632	401 150 5915	MT-GLAZE 10K JA 1/10W	△ AC CORD		
R1633	401 162 3718	MT-GLAZE 4.7K JA 1/10W	(US)	645 064 6362	CORD,POWER-3.0MK,US
R1634	401 150 5915	MT-GLAZE 10K JA 1/10W	(EU)	645 054 1155	CORD,POWER-3.0MK
R1635	401 150 6219	MT-GLAZE 1K JA 1/10W	MISCELLANEOUS		
R1636	401 150 5915	MT-GLAZE 10K JA 1/10W	610 314 8984	LABEL,PIN CODE-MY7A	
R1637	401 150 6219	MT-GLAZE 1K JA 1/10W	645 039 7219	CABLE,MOUSE SRAL	
R1638	401 162 3718	MT-GLAZE 4.7K JA 1/10W	645 063 6936	CABLE,USB	
R1643	401 150 5915	MT-GLAZE 10K JA 1/10W	645 063 6943	CABLE,USB	
R1644	401 162 3718	MT-GLAZE 4.7K JA 1/10W	645 073 4854	CABLE,INTERFACE VGA	
R1646	401 150 5915	MT-GLAZE 10K JA 1/10W	KE6-X71L00 (different parts)		
R1647	401 150 5915	MT-GLAZE 10K JA 1/10W	610 301 6658	ASSY,SPACER BF-MY8A	
R1648	401 162 3015	MT-GLAZE 22K JA 1/10W			
R1649	401 162 3015	MT-GLAZE 22K JA 1/10W			
R1651	401 255 5810	MT-GLAZE 2K JA 1/10W			
R1652	401 255 5810	MT-GLAZE 2K JA 1/10W			
R1653	401 255 5810	MT-GLAZE 2K JA 1/10W			
R1654	401 150 6011	MT-GLAZE 0.000 ZA 1/10W			
R1656	401 255 5810	MT-GLAZE 2K JA 1/10W			
R1657	401 150 6011	MT-GLAZE 0.000 ZA 1/10W			
R1658	401 150 6011	MT-GLAZE 0.000 ZA 1/10W			
R1661	401 250 6812	MT-GLAZE 390 JA 1W			
R1665	401 225 4614	MT-GLAZE 1.2 JA 1W			
R1666	401 190 1717	MT-GLAZE 0.000 ZA 1W			
R1671	401 256 3815	MT-GLAZE 1.5K JA 1/10W			
R1672	401 255 6114	MT-GLAZE 20K JA 1/10W			

Mechanical Parts List

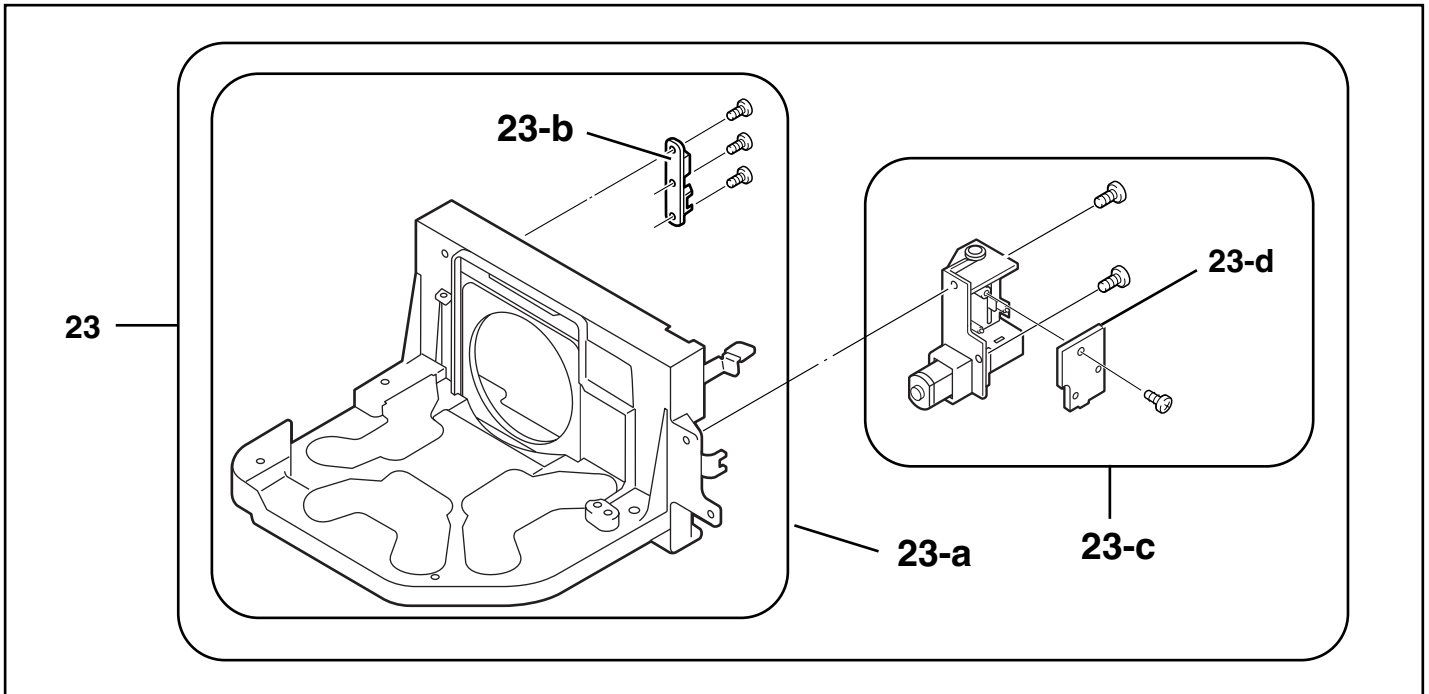
KE6-X7100
KE6-X71L00

Note: Parts order must contain Chassis No., Part No., and Descriptions.

● CABINET PARTS



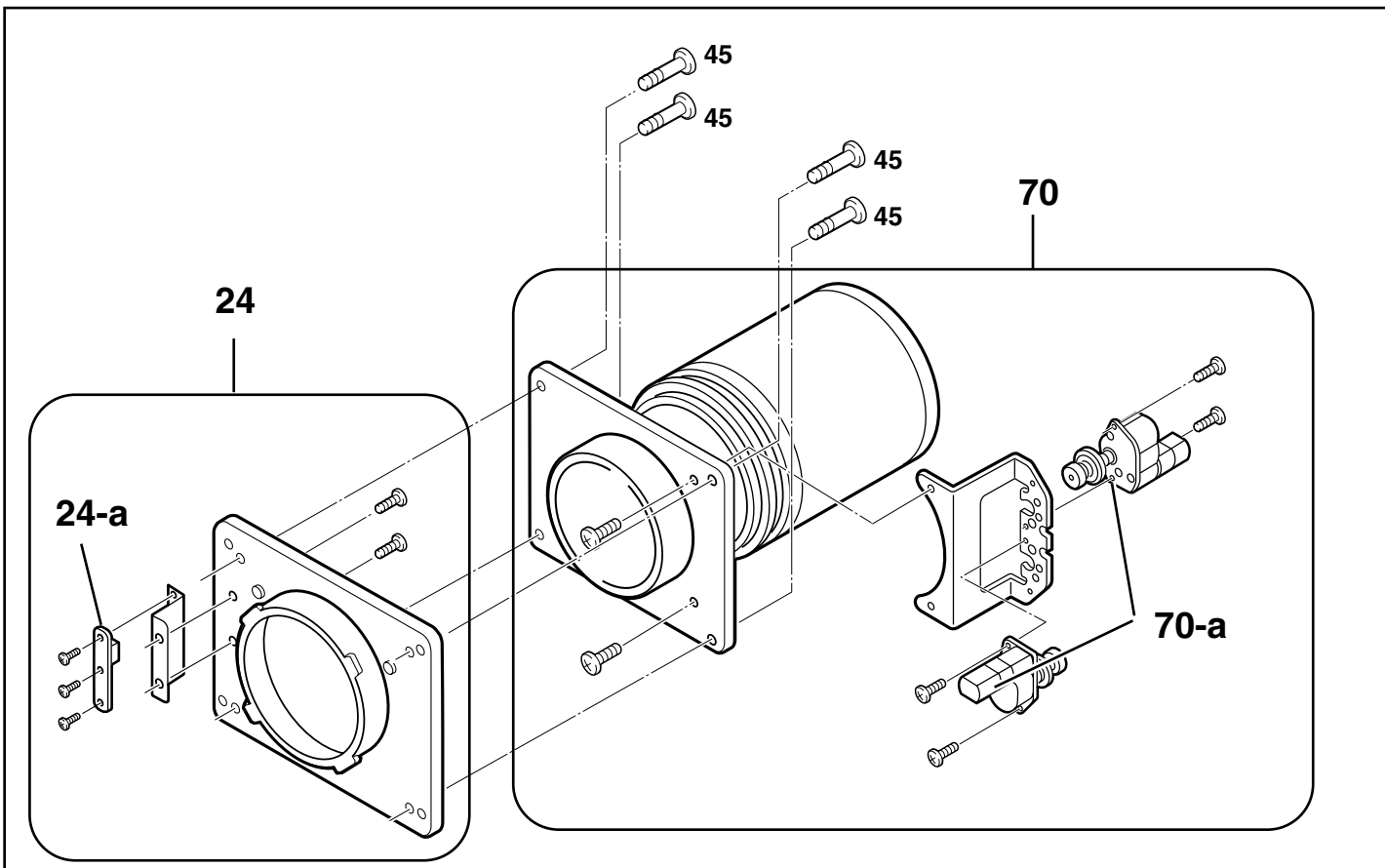
Key No.	Part No.	Description	Key No.	Part No.	Description	
CABINET PARTS			CHASSIS PARTS			
1	610 306 8985	ASSY,BUTTON-MR3B	23	610 324 4327	COMPL,HOLDER LNS A W MR3A (Including Key No.23-a to d)	
2	610 324 4358	COMPL,STAND LEG-MA8B	23-a	610 324 4662	COMPL,HOLDER LNS BASE W M	
4	610 303 2900	BUTTON ZOOM-MC3B	23-b	610 306 6639	ASSY,PWB,LENS-BASE NET MR	
5	610 328 8208	CABINET TOP-KE6B	23-c	610 324 4464	ASSY,HOLDER MTR W-MR3A	
6	610 318 4081	CABINET FRONT SERVICE-ME5B (Including Key No.7)	23-d	645 060 3785	UNIT,MOUNTING LNS BASE MR	
7	610 321 8366	DEC SHEET RC-MA8B-A	24	610 324 4549	ASSY,MOUNTING LENS A w MR (Including Key No.24-a)	
8	610 318 4098	CABINET FRONT A SERV-ME5B (Including Key No.3)	24-a	610 306 5922	ASSY,PWB,BASE NET MR3A	
3	610 281 4323	BADGE EIKI-MA6B	25	610 303 8773	ASSY,PANEL NET A-MA8AA	
9	610 298 6723	CABINET BOTTOM-MA8BA	26	610 303 8780	ASSY,PANEL NET B-MA8AA	
10	610 277 2203	CAP LENS-M6SAA	28	610 293 6162	MOUNTING POW BTM-MA8A	
11	610 318 3329	COVER SP OUT L-ME5B	29	610 299 5381	MOUNTING POW TOP-MA8AA	
12	610 318 3336	COVER SP OUT R-ME5B	30	610 328 3845	MOUNTING DUCT TOP-KE6A	
14	610 306 9210	DEC INLAY LED-MR3B	31	610 293 6209	MOUNTING DUCT B COVER-MA8	
15	610 321 8342	DEC SHEET RC-MA8A-A	32	610 293 6216	MOUNTING DUCT FAN A-MA8A	
16	610 318 3343	DEC AV SHEET-ME5B	33	610 328 5849	MOUNTING DUCT PBS-KE6A	
17	610 310 5604	COMP,HANDLE SERVICE-MA8B	34	610 293 6230	MOUNTING TEMP SW-MA8A	
18	610 293 9965	PANEL FAN-MA8B	35	610 293 6650	MOUNTING DUCT FAN B-MA8A	
19	610 329 8085	PANEL AV-KE6B	36	610 293 9934	MTG COVER LNS-MA8A	
20	610 293 9972	SPACER LEG-MA8A	37	610 329 1147	MOUNTING DUCT LMP TOP-KE6	
21	610 298 8574	SPACER COVER NWMG-MA8BA	38	610 329 1208	MOUNTING DUCT LMP BTM-KE6	
22	610 298 8581	SPACER COVER SCREW NWMG-M	39	610 308 5241	MOUNTING DUCT BTM-KE6A	
			40	610 306 5403	OPTICAL BASE BTM-MA8AA-B	
			41	610 328 6426	OPTICAL BASE TOP-KE6A	
			42	610 325 1486	OPTICAL LAMP COVER UV-MA8	
SCREWS -CABINET-			DIFFERENCES BETWEEN THE MODELS			
43	411 192 9205	SCR S-TPG BIN 4X10	Key No.	Description	KE6-X7100	KE6-X71L00
44	412 069 6709	SPECIAL SCREW(BLACK)	10	CAP LENS	610 277 2203	Not used
45	412 070 2509	SPECIAL SCREW V	45	SPECIAL SCREW	412 070 2509	Not used
			70	LENS PROJECTION	645 043 7144	Not used
SCREWS -CHASSIS-						
46	411 190 4509	BOLT HEX-SCT+SW+W 2.5X6				
47	411 189 6606	BOLT HEX-SCT 2.5X6				
48	411 190 5407	SCR BIN 2X4				



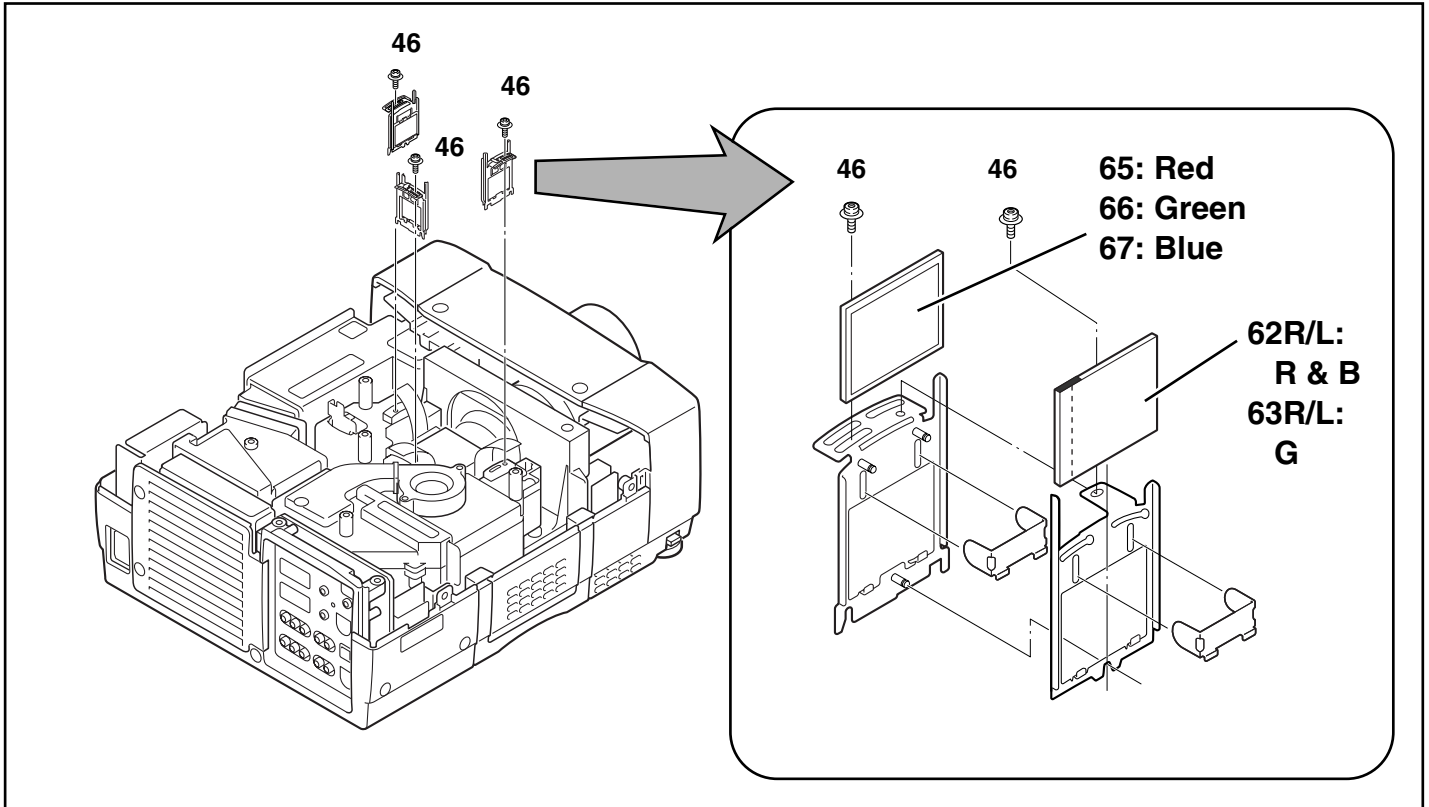
Optical Parts List

KE6-X7100
KE6-X71L00

Key No.	Part No.	Description	Key No.	Part No.	Description
OPTICAL PARTS			TYPE-R		
49	645 041 3711	ASSY, PRISM (PBS)	71R	610 328 6488	ASSY, LCD PNL/PRISM R-KE6A (Including Key No. 72-a to e)
	645 051 9420	ASSY, PRISM (PBS)	71-a	645 085 8017	POLARIZED GLASS (OUT/R)
50	645 085 7836	LENS, CONDENSER (G)	71-b	645 085 8024	POLARIZED GLASS (OUT/G)
51	645 085 7843	LENS, CONDENSER (B)	71-c	645 085 8031	POLARIZED GLASS (OUT/B)
52	645 047 2831	LENS, INTEGRATOR (IN)	71-d	645 085 8048	PREPOLARIZED GLASS (RB)
53	645 047 2848	LENS, INTEGRATOR (OUT)	71-e	645 085 8055	PREPOLARIZED GLASS (G)
54	645 047 2855	LENS, CONDENSER (IN)	62R	645 085 7935	OPTICAL FILTER (HCP) LG
55	645 047 2862	LENS, CONDENSER (OUT)	63R	645 085 7928	OPTICAL FILTER (HCP) RR
56	645 047 2879	LENS, CONDENSER (R)	65	645 085 7980	POLARIZED GLASS (IN/R)
57	645 047 2886	LENS, RELAY (IN)	66	645 085 7997	POLARIZED GLASS (IN/G)
58	645 047 2893	LENS, RELAY (OUT)	67	645 085 8000	POLARIZED GLASS (IN/B)
59	645 044 2575	MIRROR (R)	TYPE-L		
60	645 086 2991	MIRROR (W-COLD)	71L	610 328 8192	ASSY, LCD PNL/PRISM L-KE6A (Including Key No. 72-a to e)
61	645 047 7515	MIRROR (B)	71-a	645 085 8017	POLARIZED GLASS (OUT/R)
68	645 050 7892	DICHROIC MIRROR (G)	71-b	645 085 8024	POLARIZED GLASS (OUT/G)
69	645 047 2923	DICHROIC MIRROR (B)	71-c	645 085 8031	POLARIZED GLASS (OUT/B)
70	645 043 7144	ASSY, LENS, PROJECTION (Including Key No. 71-a)	71-d	645 085 8048	PREPOLARIZED GLASS (RB)
70-a	645 032 8664	MOTOR, LENS (Z, F) DC 0.2W	71-e	645 085 8055	PREPOLARIZED GLASS (G)
			62L	645 085 7928	OPTICAL FILTER (HCP) RR
			63L	645 085 7935	OPTICAL FILTER (HCP) LG
			65	645 085 7980	POLARIZED GLASS (IN/R)
			66	645 085 7997	POLARIZED GLASS (IN/G)
			67	645 085 8000	POLARIZED GLASS (IN/B)



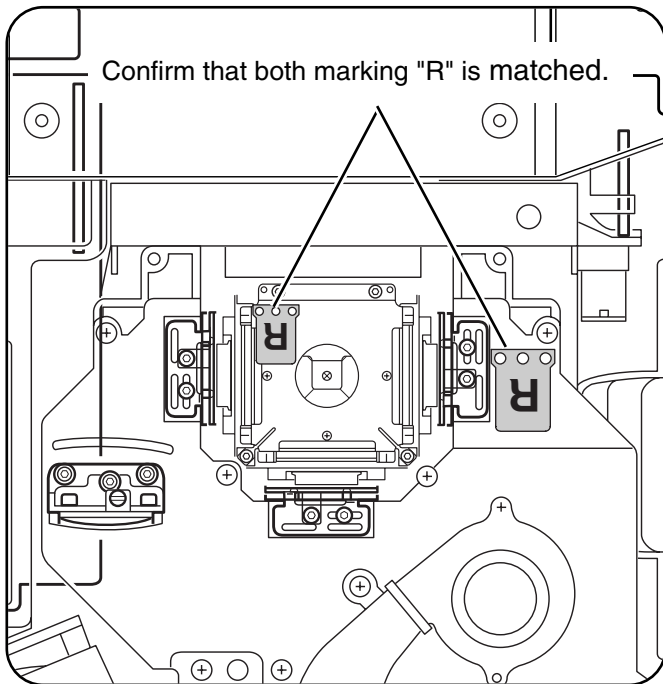
Note: Parts order must contain Chassis No., Optical Unit Type-L or Type-R, Part No., and Descriptions.



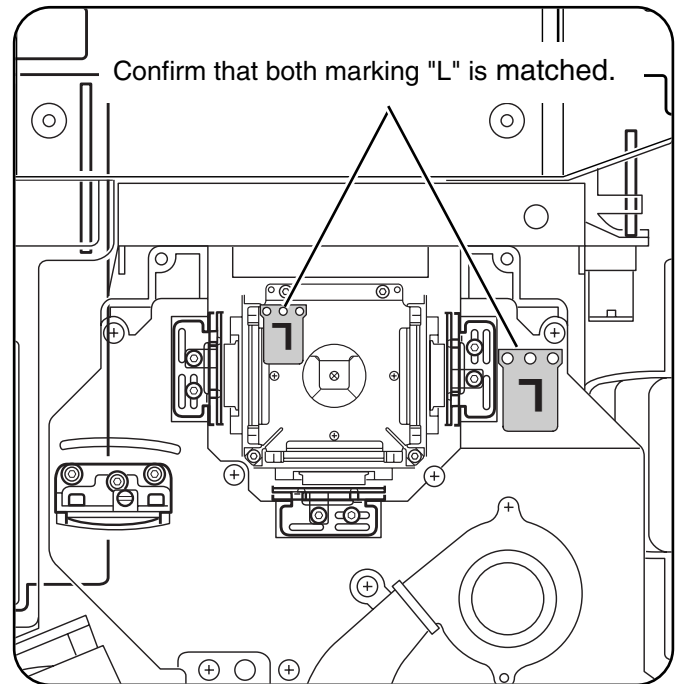
NOTE:

There are 2 types combination of the LCD panel/prism assembly and the optical unit, named Type-R and Type-L. Since both have no compatibility, each type should be combined with the same type, and the specific parts should be used. If not, the poor optical characteristics may degrade the quality of a projected image.

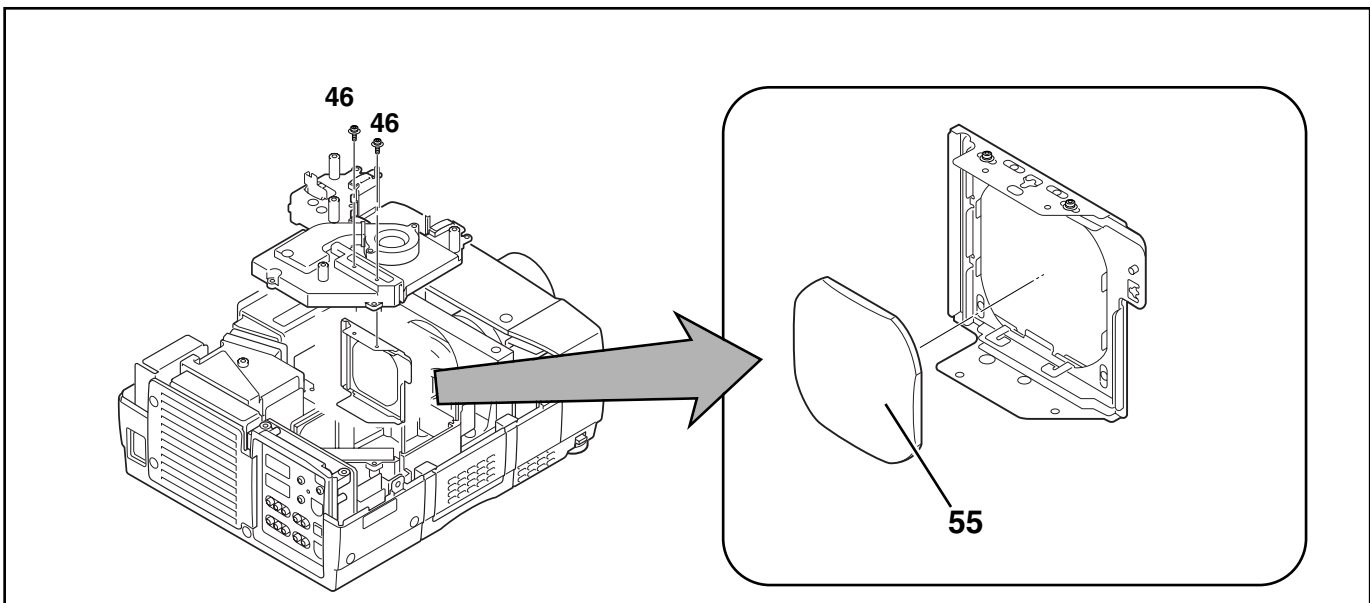
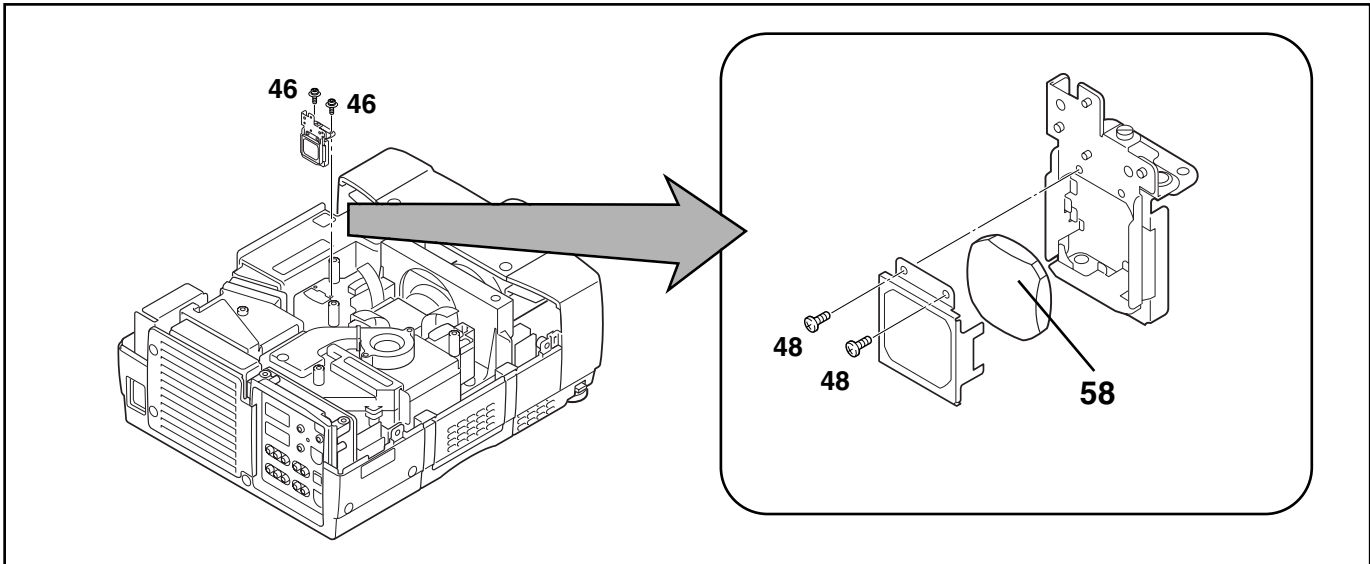
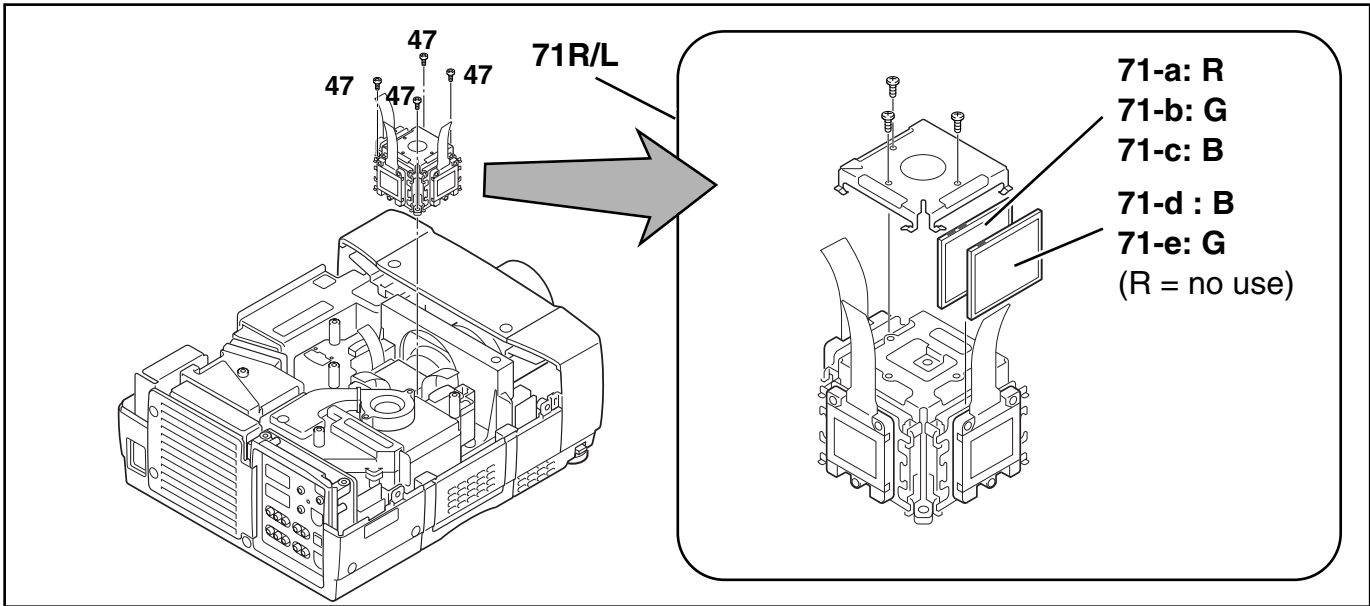
Confirm the "R" label or "L" label on top of the LCD panel/ prism assembly and the optical unit.

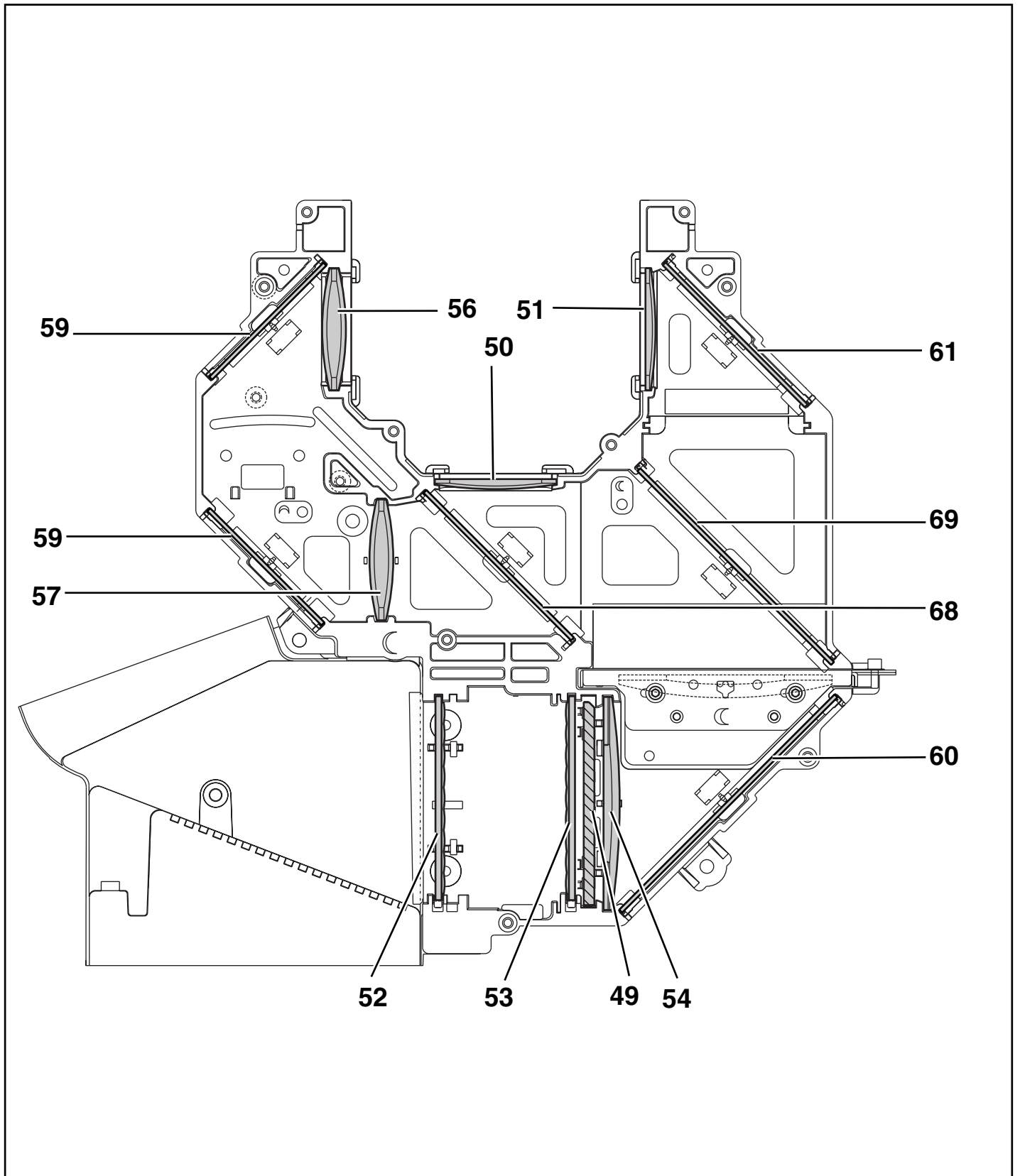


LCD Panel/Prism Ass'y Type-R



LCD Panel/Prism Ass'y Type-L





CAUTION:

Part must be placed in specified direction when replacing the optical parts. Please see "Optical Parts Disassemblies" for further instructions.

EIKI

A-key to better communications

Schematic Diagrams Printed Wiring Board Drawings

Model	Chassis No.
LC-X71	KE6-X7100
LC-X71L	KE6-X71L00

These schematic diagrams and printed wiring board drawings are part of the service manual original for chassis No. KE6-X7100/X71L00 models LC-X71/X71L. File with the service manual No. SS5110788-00.

Note:

All the information of part numbers and values indicated on these diagrams are at the beginning of production. To improve the performance, there may be some differences to the actual set. When you order the service parts, use service parts code mentioned on the parts list in this service manual.

Free Manuals Download Website

<http://myh66.com>

<http://usermanuals.us>

<http://www.somanuals.com>

<http://www.4manuals.cc>

<http://www.manual-lib.com>

<http://www.404manual.com>

<http://www.luxmanual.com>

<http://aubethermostatmanual.com>

Golf course search by state

<http://golfingnear.com>

Email search by domain

<http://emailbydomain.com>

Auto manuals search

<http://auto.somanuals.com>

TV manuals search

<http://tv.somanuals.com>