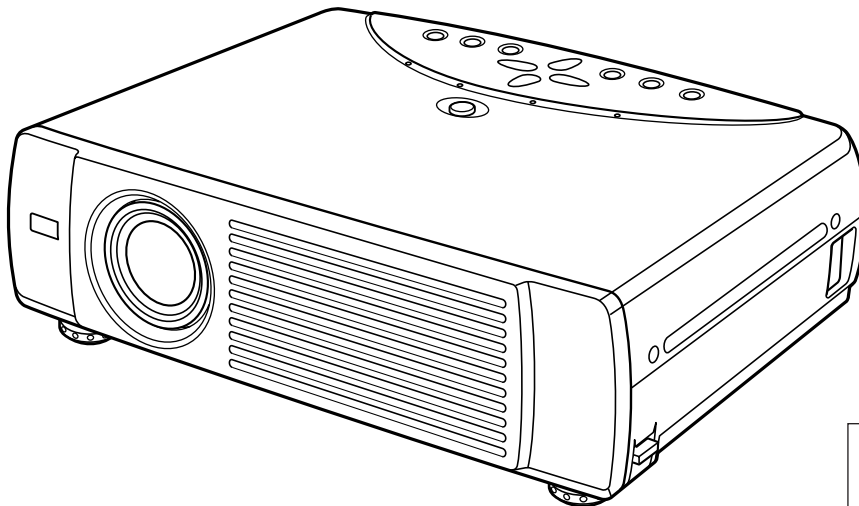




SERVICE MANUAL Multimedia Projector

Model No. **LC-NB3E**
(U.S.A., Canada)

ORIGINAL VERSION
Chassis No. MM8-NB3E00



Give complete "Chassis No." for parts order or servicing, it is shown on the rating sheet on the cabinet on the projector.

FOREWORD

For your convenience, all service parts, identified in this manual are available through Eiki's normal distribution channels. In addition to service part number, the generic descriptions have been given, where possible, to allow your service technicians to substitute equivalent components which might be available from other sources.

All orders for service parts will be honored. However, in instances where generic components are considered to be available from several common sources, as would be the case with an industry standard fuse, resistor, or semiconductor, it may be more economical and expeditious to purchase the part locally.

■ Contents


■ Safety instructions	3
■ Specifications	4
■ Note on Servicing	5
■ Adjustments after parts replacement	5
■ Circuit protections	6-7
● Fuse	6
● Thermal switch	6
● Interlock switch	6
● Warning temperature and power failure protection	7
■ Mechanical disassemblies	8-13
■ Optical parts disassemblies	14-17
■ LCD panel/prism ass'y replacement	19
■ Lamp replacement	20
■ Optical adjustments	21-24
● Contrast adjustment	21
● Condenser lens adjustment	22
● Condenser lens-Out adjustment	23
● Relay lens-Out adjustment	24
■ Electric adjustments	25-30
● Service adjustment menu operation	23
● Circuit adjustments	24-29
● Service adjustment data table	30-33
● Test points and locations	34
■ Troubleshooting	35-39
● No power	35-36
● No picture	37-38
● No sound	39
● Lens motor problems	39
■ Control port functions	40-43
■ Waveforms	44-45
■ Cleaning	46
■ IC block diagrams	47-53
■ Service parts lists	55-84
● Electrical parts list	55-77
● Mechanical parts list	78-79
● Optical parts list	80-84

.....

■ Safety Instructions

SAFETY PRECAUTIONS

WARNING:

The chassis of this projector is isolated (COLD) from AC line by using the converter transformer. Primary side of the converter and lamp power supply unit circuit is connected to the AC line and it is hot, which hot circuit is identified with the line () in the schematic diagram. For continued product safety and protection of personnel injury, servicing should be made with qualified personnel.

The following precautions must be observed.


- 1: An isolation transformer should be connected in the power line between the projector and the AC line before any service is performed on the projector.
- 2: Comply with all caution and safety-related notes provided on the cabinet back, cabinet bottom, inside the cabinet or on the chassis.
- 3: When replacing a chassis in the cabinet, always be certain that all the protective devices are installed properly, such as, control knobs, adjustment covers or shields, barriers, etc.

DO NOT OPERATE THIS PROJECTOR WITHOUT THE PROTECTIVE SHIELD IN POSITION AND PROPERLY SECURED.

- 4: Before replacing the cabinet cover, thoroughly inspect the inside of the cabinet to see that no stray parts or tools have been left inside.

Before returning any projector to the customer, the service personnel must be sure it is completely safe to operate without danger of electric shock.

PRODUCT SAFETY NOTICE

Product safety should be considered when a component replacement is made in any area of the projector. Components indicated by mark  in the parts list and the schematic diagram designate components in which safety can be of special significance. It is, therefore, particularly recommended that the replacement of these parts must be made by exactly the same parts.

SERVICE PERSONNEL WARNING

Eye damage may result from directly viewing the light produced by the Lamp used in this equipment. Always turn off Lamp before opening cover. The Ultraviolet radiation eye protection required during this servicing. Never turn the power on without the lamp to avoid electric-shock or damage of the devices since the stabilizer generates high voltages(15kV - 25kV) at its starts. Since the lamp is very high temperature during units operation replacement of the lamp should be done at least 45 minutes after the power has been turned off, to allow the lamp cool-off.

DO NOT ATTEMPT TO SERVICING THE REMOTE CONTROL UNIT.

Laser Beam may be leaked out when in disassemble the Unit. As the Laser Beam used in this Remote control unit is harmful to the eyes.

CAUTION



LASER RADIATION
DO NOT STARE INTO BEAM
MAX. OUTPUT: 1mW
WAVE LENGTH: 650±20nm
CLASS II LASER PRODUCT

This product is complied with 21 CFR
part 1040.10

LASER RADIATION
DO NOT STARE INTO BEAM
CLASS 2 LASER PRODUCT
LASER-STRAHLUNG
NICHT IN DEN STRAHL BLICKEN
LASER KLASSE 2
レーザー放射クラス2レーザー製品
ビームをのぞき込まないこと
IEC60825-1, Am.1 1997
MAX OUTPUT (最大出力) : 1 mW
WAVE LENGTH (波長) : 650±20nm

■ Specifications

Projector Type	Multi-media Projector
Dimensions (W x H x D)	13.11" x 3.52" x 9.25" (333mm x 89.5mm x 235mm)
Net Weight	8.6 lbs (3.9 kg)
LCD Panel System	0.9" TFT Active Matrix type, 3 panels
Panel Resolution	800 x 600 dots
Number of Pixels	1,440,000 (800 x 600 x 3 panels)
Color System	6 color system (PAL, SECAM, NTSC, NTSC4.43, PAL-M and PAL-N)
High Definition TV Signals	480i, 480p, 575i, 575p, 720p, 1035i and 1080i
Scanning Frequency	H-sync. 15 ~ 100kHz, V-sync. 50 ~ 100Hz
Projection Image Size (diagonal)	Adjustable from 31" to 300"
Horizontal Resolution	750 TV lines
Projection Lens	F 1.7 ~ 2.0 lens with f 37.4mm ~ 48.3mm with motor zoom and focus
Throw Distance	5.3' ~ 40.0' (1.6m ~ 12.2m)
Projection Lamp	200watts
AV Input Jacks	RCA Type x 3 (Video/Y, Cb/Pb, Cr/Pr) and Mini DIN 4 pin x 1(S-Video)
AV Audio Input Jacks	RCA Type x 2
Computer Input Terminal	(VGA) HDB15 Terminal x 1
Monitor Output Terminal	(VGA) HDB15 Terminal x 1
Computer Audio Input Jack	Mini Jack (stereo)
Control Port Connector	Mini DIN 8 pin x 1
USB Connector	USB Series B receptance x 1
External Speaker Jack	Mini Jack (8Ω 1+1W / stereo)
Internal Audio Amp.	1.0watt RMS (monaural)
Built-in Speaker	1 speaker, 1.18" x 1.57" (30mm x 40mm)
Feet Adjustment	0° to 15.6°
Voltage and Power Consumption	AC 100 ~ 120V (3.6A Max. Ampere), 50/60Hz (The U.S.A and Canada) AC 200 ~ 240V (1.8A Max. Ampere), 50/60Hz (Continental Europe)
Operating Temperature	41°F ~ 95°F (5°C ~ 35°C)
Storage Temperature	14°F ~ 140°F (-10°C ~ 60°C)
Remote Control Transmitters	Wireless Remote Control, batteries AA, UM3 or R06 Type x 2

● The specifications are subject to change without notice.



This symbol on the nameplate means the product is Listed by Underwriters Laboratories Inc. It is designed and manufactured to meet rigid U.L. safety standards against risk of fire, casualty and electrical hazards.

Adjustments after Parts Replacement

● : Adjustment necessary ○ : Check necessary

		Disassembly / Replaced Parts									
		LCD/ Prism Ass'y	Condenser Lens	Condenser Lens-Out	Relay Lens-Out	Polarized glass			P. F. Board	Power Board	Main Board
						R	G	B			
Optical Adjustments	Condenser lens adjustment	○	●								
	Condenser lens-out adjustment	○		●							
	Relay lens-out adjustment	○			●						
	Contrast Adjustment										
	R-Contrast adjustment					●					
	G-Contrast adjustment						●				
	B-Contrast adjustment							●			
Electrical Adjustments	Output voltage adjustment								●		
	Fan voltage adjustment									●	
	Pedestal adjustment									●	
	NRS adjustment									●	
	Signal center adjustment									●	
	Black level adjustment									●	
	PC offset adjustment									●	
	PC gain adjustment									●	
	AV gain adjustment									●	
	Common center adjustment	●								●	
	Gamma shift adjustment	○								●	
	White balance adjustment	○								○	

■ Circuit Protections

This projector is equipped with the following circuit protections to operate in safety. If the abnormality occurs inside the projector, it will automatically turn off by operating one of the following protection circuits.

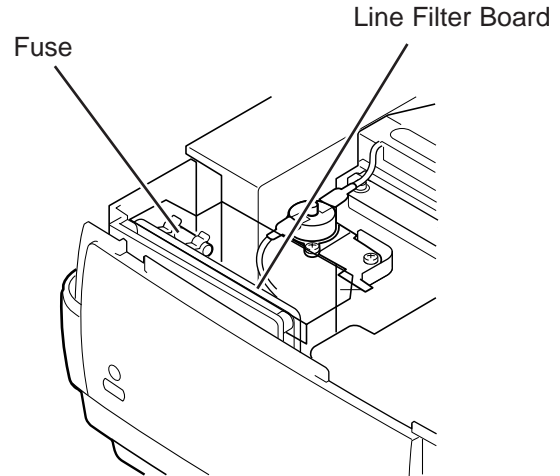
● Fuse

The fuse is located inside of the projector. When either the LAMP indicator or the READY indicator is not illuminated, fuse may be opened. Check the fuse as following steps.
It should be used the specified fuse as follows;

Fuse Part No.: 423 022 2102
TYPE T4.0AH 250V FUSE
LITTLE FUSE INC. TYPE 215004

How to replace the fuse

1. Remove the cabinet top following to "Mechanical Disassemblies".
 2. Remove the fuse from fuse holder.
- To install the fuse, take reversed step in the above.



● Thermal switch

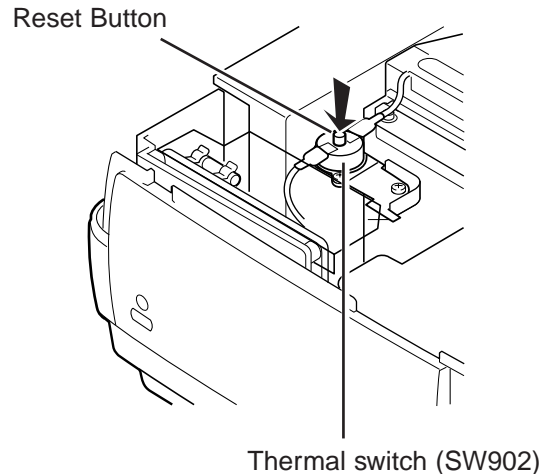
There is the thermal switch (SW902) inside of the projector to prevent the internal temperature from rising abnormally. When the internal temperature reaches near 100°C, turn off the AC main power supply automatically.

The thermal switch is not reset to normal automatically even if the internal temperature becomes normal. Reset the thermal switch following procedure.

Check the resistance between terminals of thermal switch by using the tester. If it has high impedance, thermal switch may be in operative.

How to reset the thermal switch

1. Remove the cabinet top following to "Mechanical Disassemblies".
2. Press the reset button on the thermal switch.

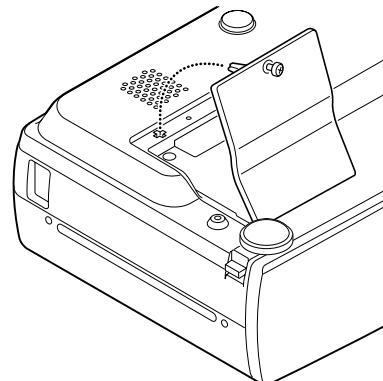


CAUTION:

Before press the reset button, disconnect the AC cord from the projector.

● Interlock switch

The interlock switch (SW904) cuts off the AC mains power supply when the lamp cover is removed. After opening the lamp cover for replacing the lamp ass'y, place the lamp cover correctly otherwise the projector can not turn on.



● Warning temperature and power failure protection

The TEMP WARNING indicator flashes red and the projector will automatically turn off when the internal temperature of the projector exceeds the normal temperature or when stopping cooling fans or when the internal power supply lines are failed.

Check the following possible causes and wait until stopping the TEMP WARNING indicator flashing.

Possible causes

- Air filter is clogged with dust particles. Remove dust from the air filter by following instructions in the “Air filter care and cleaning” below.
- Ventilation slots of the projector are blocked. In such an event, reposition the projector so that ventilation slots are not obstructed.
- Check if projector is used at higher temperature place (Normal operating temperature is 5 to 35 °C or 41 to 95°F)

If the TEMP WARNING indicator still continues to flash, there may be defects on cooling fans or power supply circuits. Please check fan operation and power supply lines referring to the “Power Supply Lines Chart”.

Air filter care and cleaning

The removable air filter prevents dust from accumulation on the surface of the projection lens and projection mirror. Should the air filter become clogged with dust particles, it will reduce the cooling fan’s effectiveness and may result in internal heat build up and reduce the life of the projector.

To clean up the air filter, follow the cleaning procedure below:

1. Turn the power off, and disconnect the AC power cord from the AC outlet.
2. Turn the projector up side down and remove an air filter by pulling the latches of them upward.
3. Clean the air filter with brush or wash out the dust and particles.
4. Replace the air filter properly. Make sure that the air filter is fully inserted.

CAUTION:

Do not operate the projector with the air filter removed. The dust is stuck on the LCD panel and the mirror, and it may spoil the fine picture image.

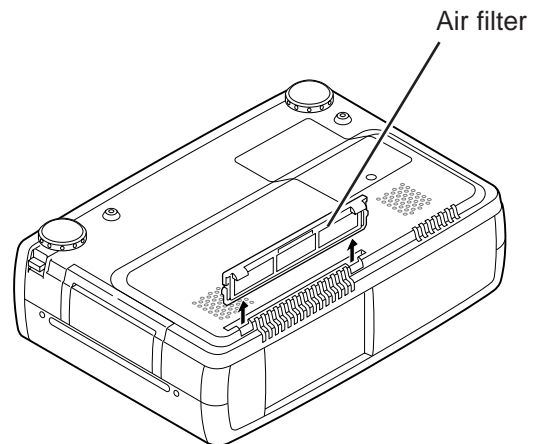
Do not put the small parts into the air intake vents. It may result in the malfunction of the projector. The air filter is small parts. Take care that children don’t eat or swallow it.

RECOMMENDATION

We recommend to avoid dusty, smoky place for operating the projector. Using in dusty place may cause the picture of poor quality.

When using under the dusty or smoky conditions, dust may accumulate on the LCD panel and lens inside it, and may resultantly be projected on the screen together with the picture.

When the above symptoms are noticed, please clean up the LCD panel and lens following to the “Cleaning Method”.



■ Mechanical Disassemblies

Mechanical disassemble should be made following procedures in numerical order. Following steps show the basic procedures, therefore unnecessary step may be ignored.

Caution:

The parts and screws should be placed exactly the same position as the original otherwise it may cause loss of performance and product safety.

1 Cabinet Top and Control Panel removal

- 1 Remove 4 screws **A** to take the Cabinet Top Ass'y upward off.
- 2 Remove the Control Panel off from the Cabinet Top by lifting the edge of control panel.

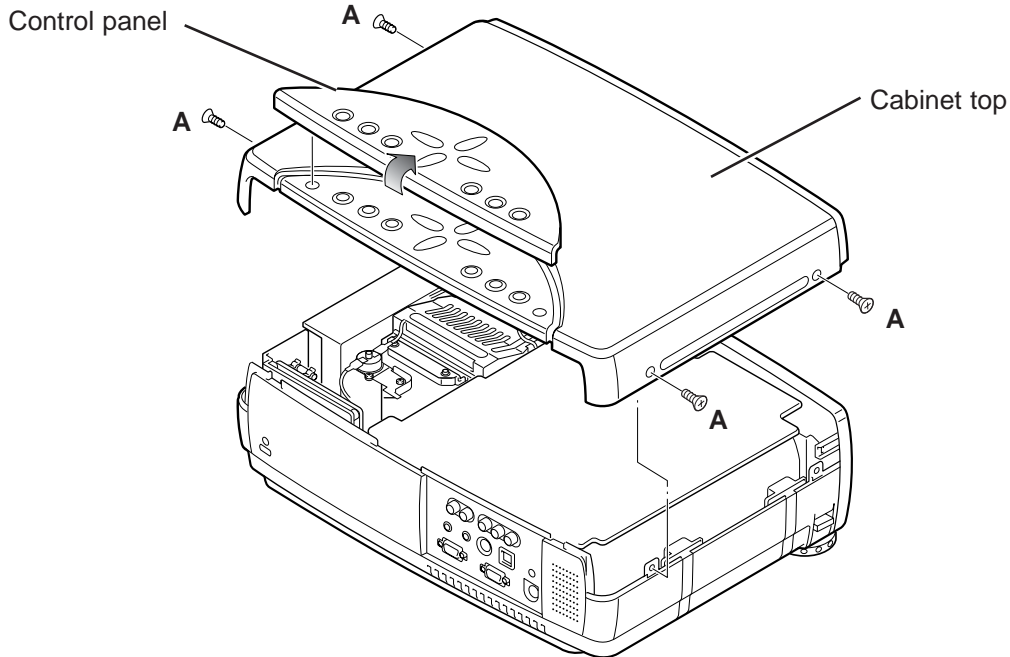


Fig.1

2 Main Board removal

- 1 Remove 8 screws to take the Main Board upward off.

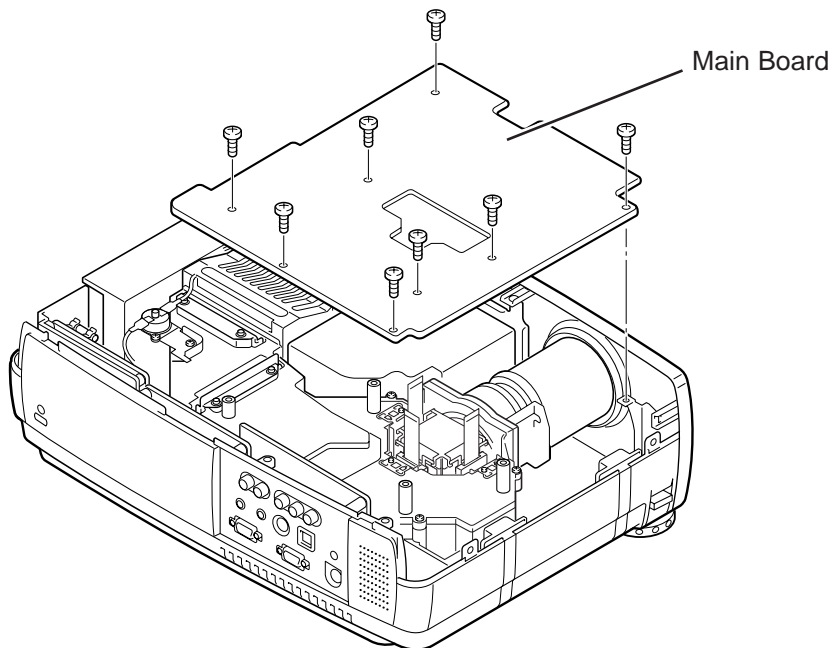


Fig.2

3 AV, AV Sub Board and Speaker removal

- 1 Remove 1 screw **A** to release a grounding wire.
- 2 Pull the Rear Panel ass'y upward.
- 3 Remove 4 screws **B** and take AV Board off.
- 4 Remove 4 screws **C** and take AV Sub Board off.
- 5 Remove 4 screws **D** and take Speaker off.

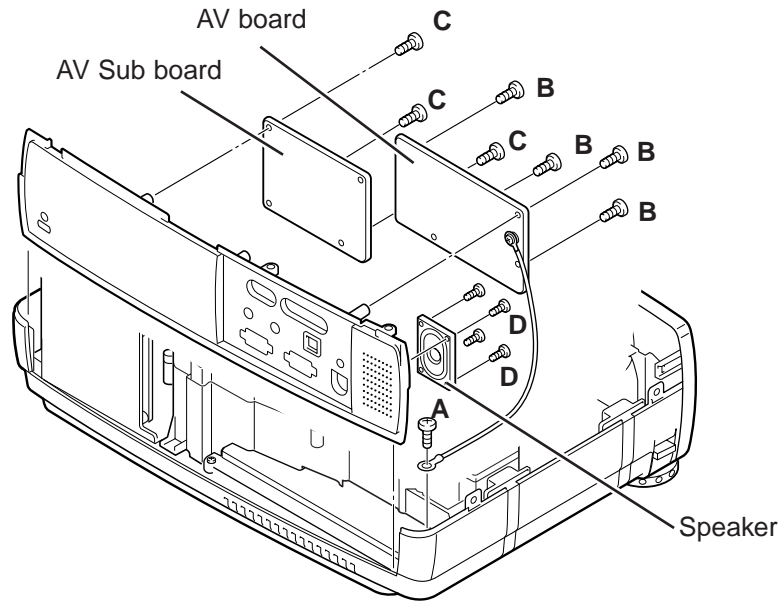


Fig.3

4 Front Panel and R/C Board removal

- 1 Remove 4 screws **A** and unhook 2 hooks **B** at the both of left and right side, and the take the Front Panel ass'y off.
- 2 Remove 1 screw **C** to take the R/C Board off.

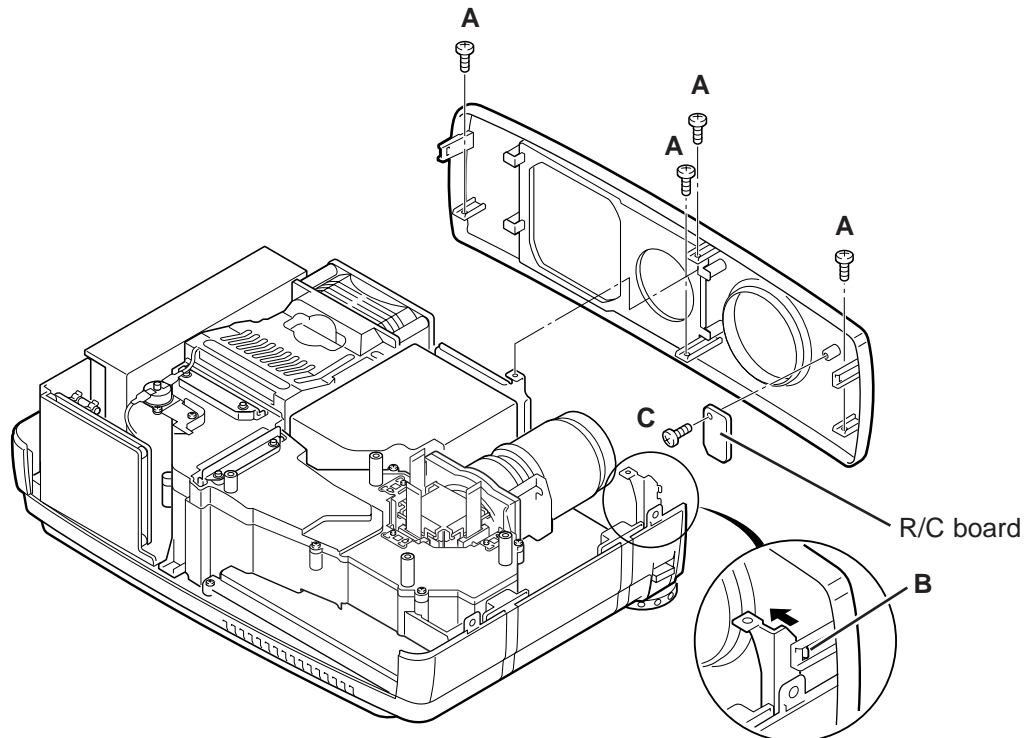


Fig.4

5 Lamp Ballast Unit removal

- 1 Remove 1 screw **A** and disconnect the Lamp Socket.
- 2 Remove 2 screws **B** to take the Lamp Ballast ass'y upward off.
- 3 Remove 4 screws **C** to take the Lamp Ballast Board off.

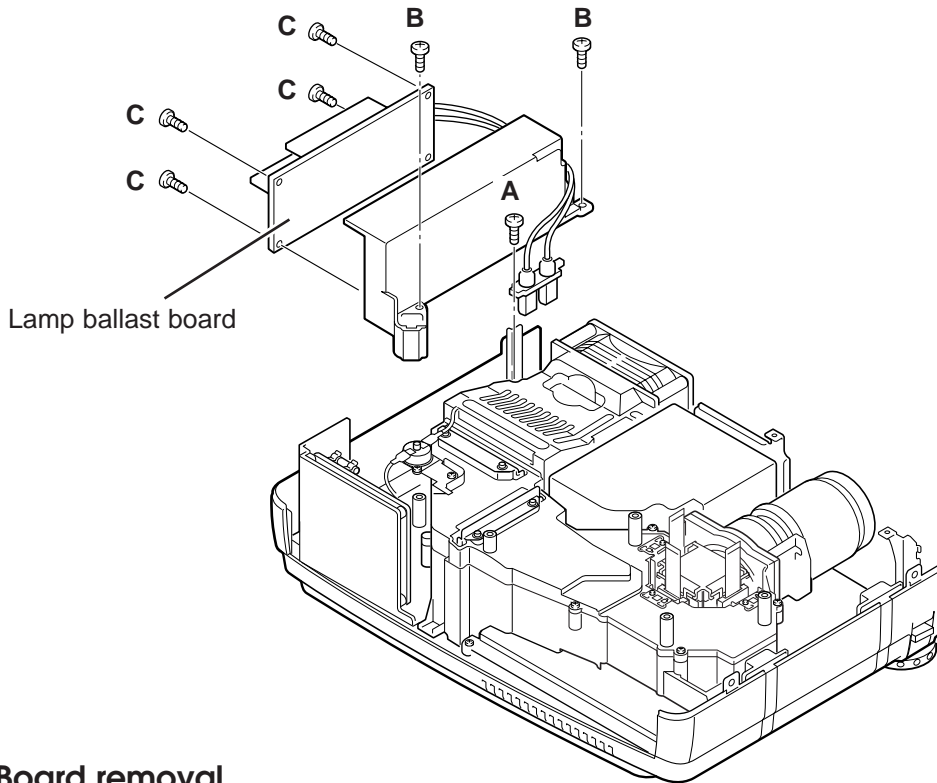


Fig.5

6 Filter Board removal

- 1 Remove 3 screws **A** and pull the Filter Board ass'y upward.
- 2 Remove 1 screw **B** to take the grounding lead from the cabinet bottom.
- 3 Remove 4 screws **C** to take the Filter Board off.

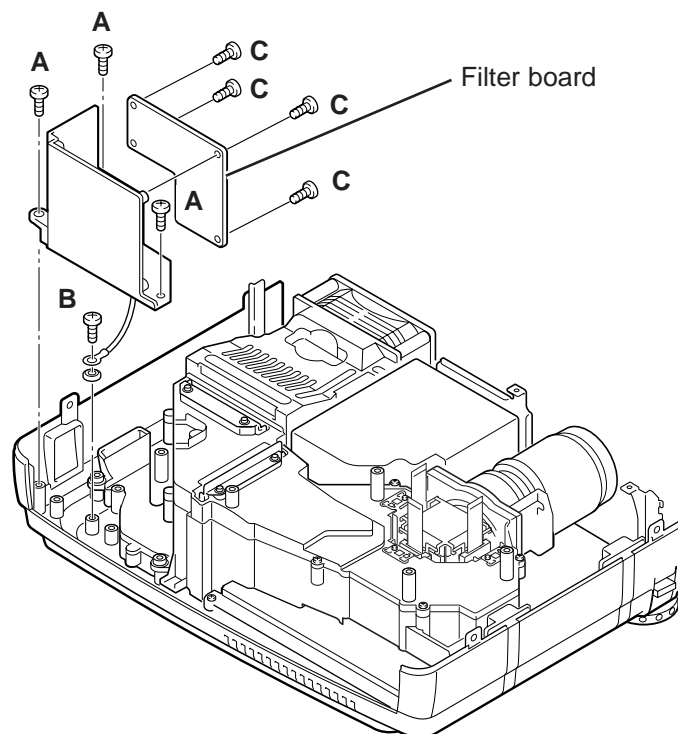


Fig.6

7 Power Box Cover and Fans(FN901, FN906) removal

- 1 Remove 4 screws **A** to take the Fan(FN901) off.
- 2 Remove 4 screws **B** to take the Fan(FN906) off.
- 3 Remove 3 screws **C** to take the Power Box Cover upward off.

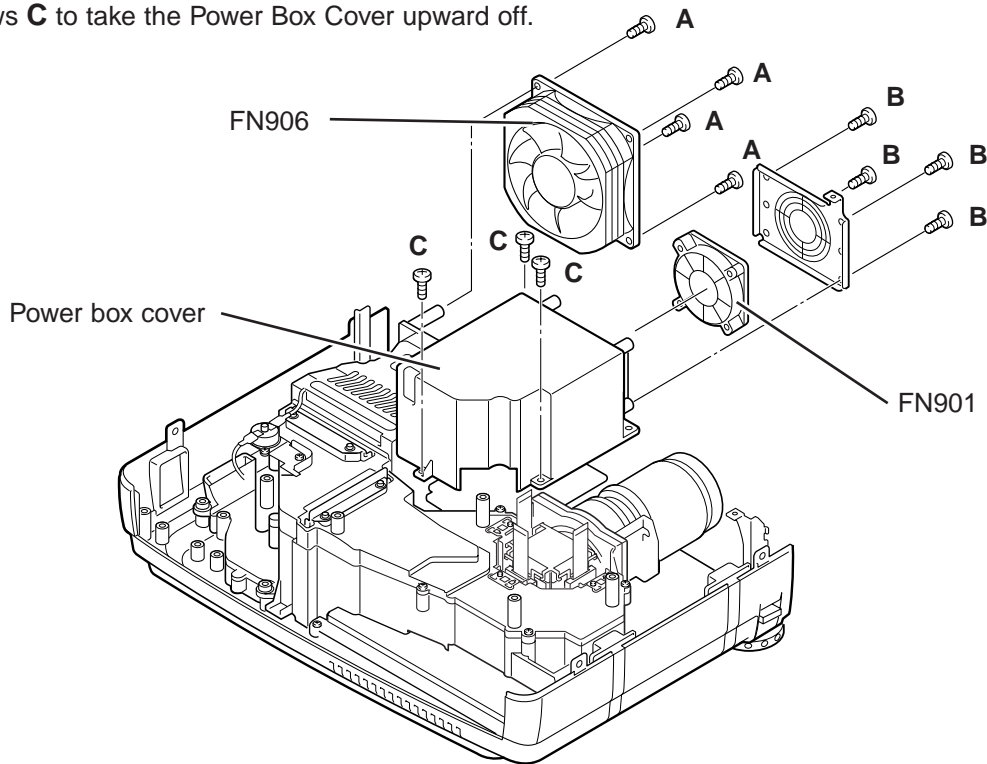


Fig.7

8-1 Optical Unit removal

- 1 Remove 1 screw **A** to take the Lamp Cover off.
 - 2 Loosen 3 screws **B** to take the Lamp assembly by pulling the handle.
- Step to next procedure.

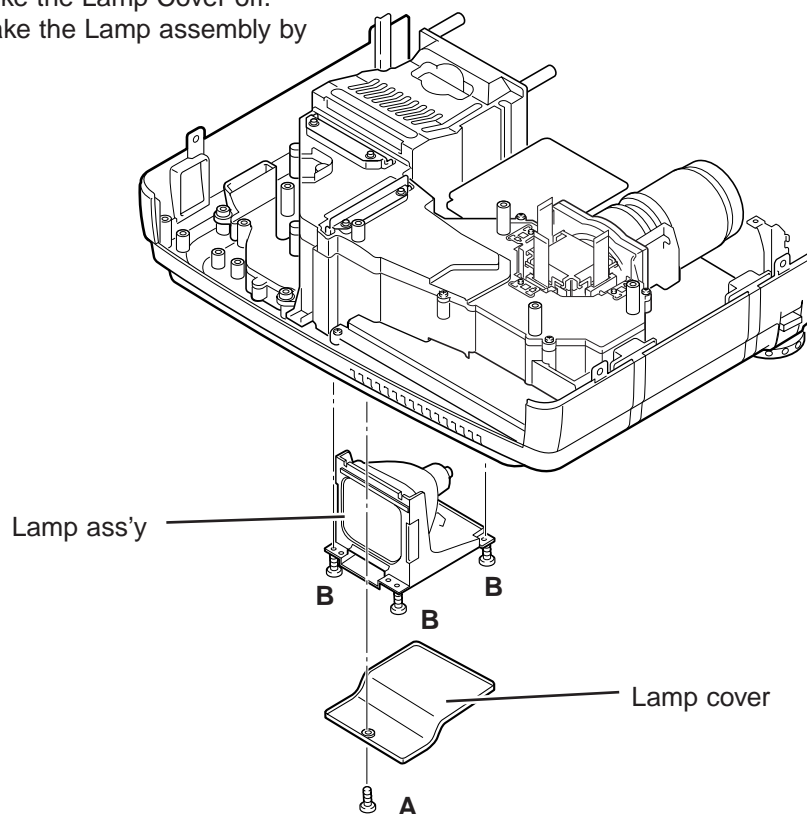


Fig.8-1

8-2 Optical Unit removal

Step from previous procedure.

- 3 Remove 6 screws **C** to take the Optical Unit upward upward off.
To mount optical unit, mount optical unit first then mount the Lamp assembly and Lamp Cover.

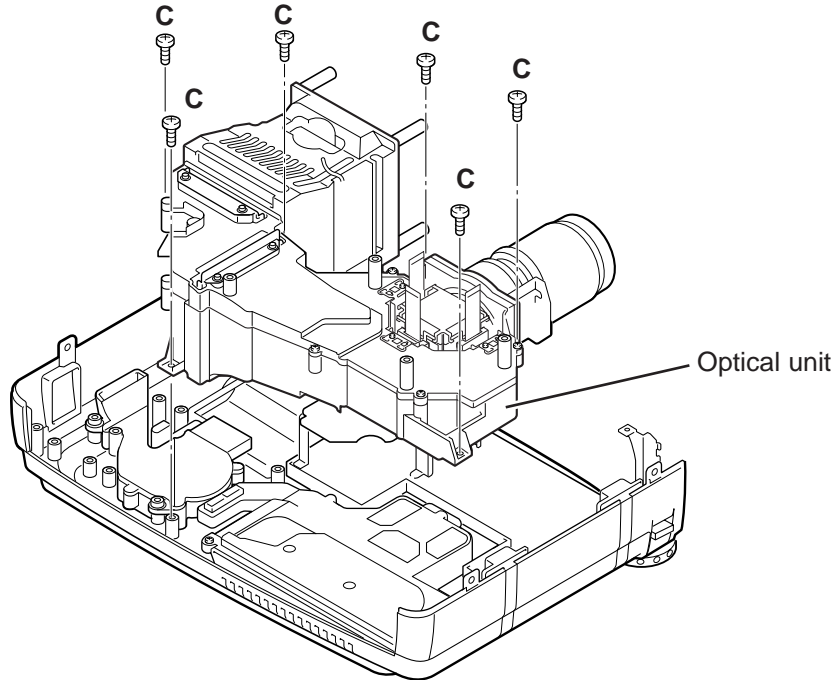


Fig.8-2

9 Power and P.F. Board removal

- 1 Remove 8 screws **A** to take the Power Board ass'y upward off.
- 2 Remove 4 screws **B** to take the P. F. Board from the Power Board.
- 3 Remove 3 screws **C** to take the Power Board holder from the Cabinet Bottom.

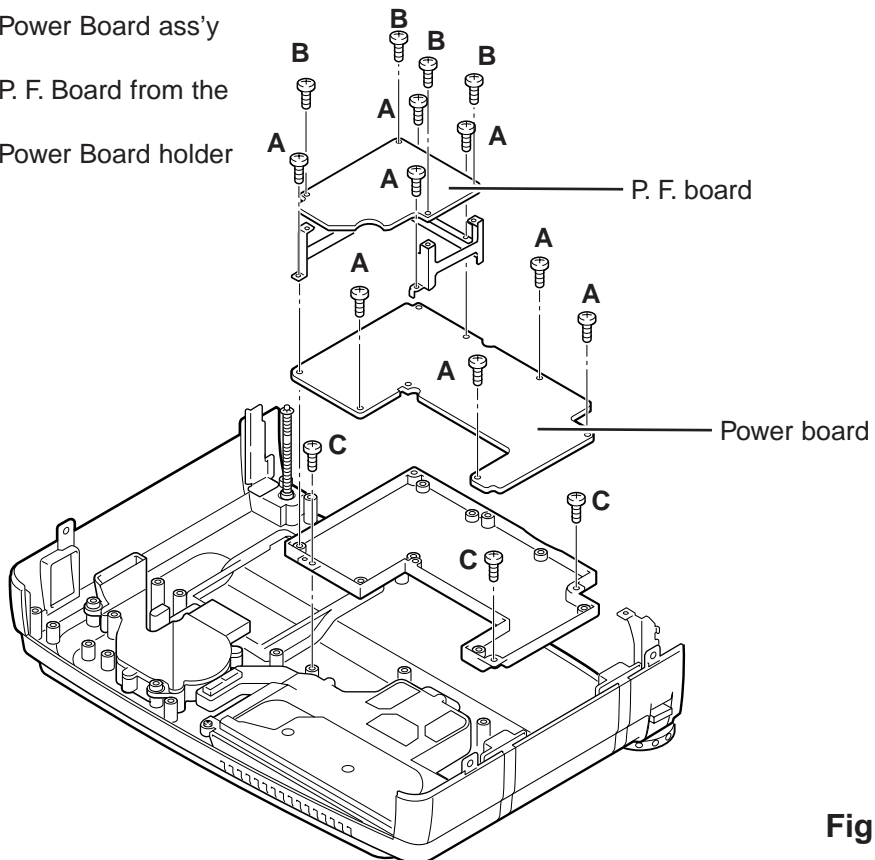


Fig.9

10 Fan (FN905) removal

- 1 Remove 1 screw **A** and take a Washer, Spring and Interlock Switch lever.
- 2 Pull the Fan and duct ass'y upward, then remove the 2 screws **B** to take the Fan (FN905) off.

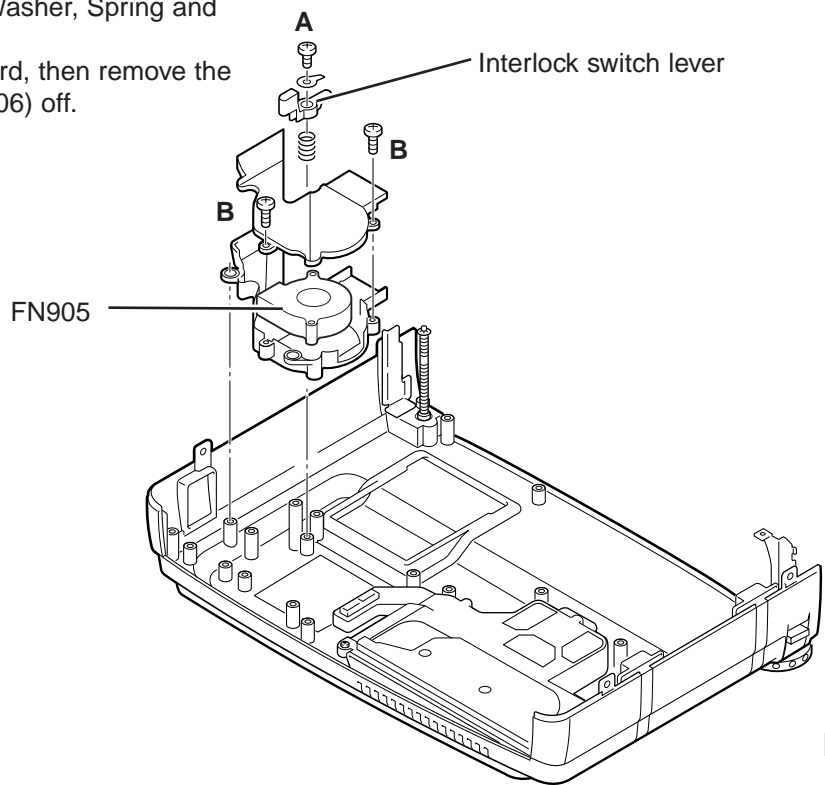


Fig.10

11 Temp Board and Fans (FN902, FN903, FN904) removal

- 1 Remove 1 screw **A** to take the Temp. Board off.
- 2 Remove 8 screws **B** and to take the Fan Duct Top off and remove the Fans (FN902, FN903, FN904).
- 3 Remove 4 screws **C** to take the Fan Duct Bottom off from the Cabinet Bottom.

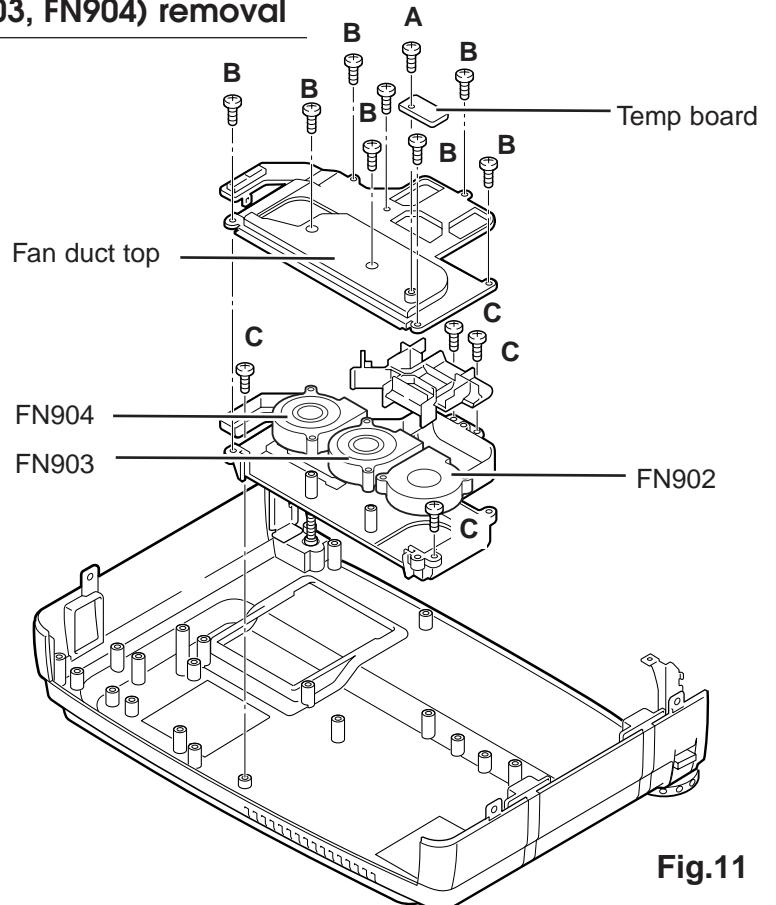


Fig.11

■ Optical Parts Disassemblies

Before taking this procedure, remove Cabinet Top and Main Board following to the “Mechanical Disassemblies”. Disassembly requires a 2.0mm hex wrench and a screwdriver.

Projection Lens removal

- 1 Remove the Front Panel following to “Front Panel Removal” on “Mechanical Disassemblies”.
- 2 Remove 4 screws to take the Projection Lens ass’y off.

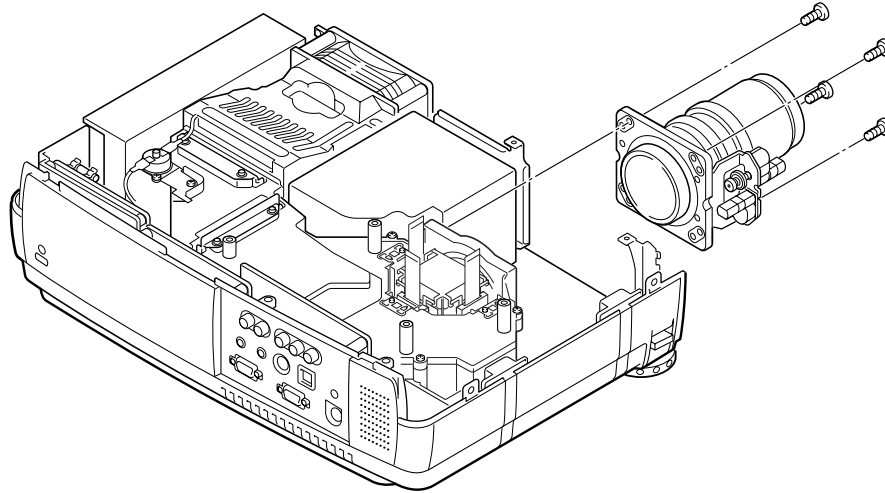


Fig.1

Integrator Lens-In disassembly

- 1 Remove 2 screws **A** and pull the Integrator Lens-In ass’y upward.
- 2 Remove 1 stoppers **B** and then take the Lens off from the holder.

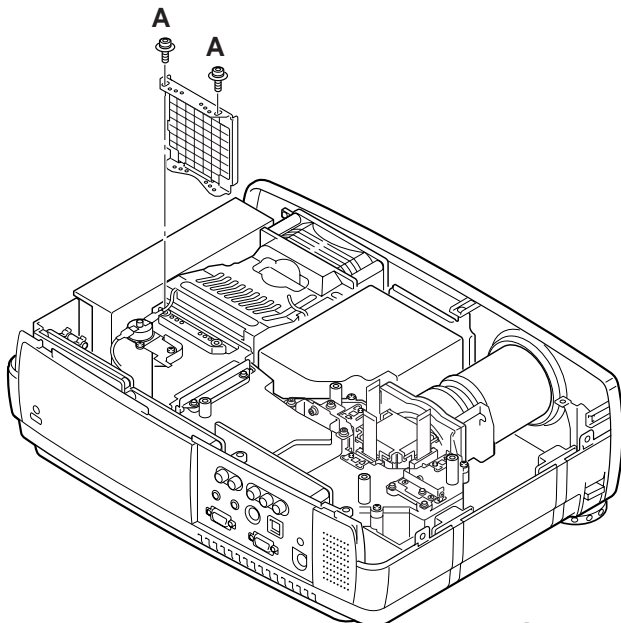


Fig.2-1

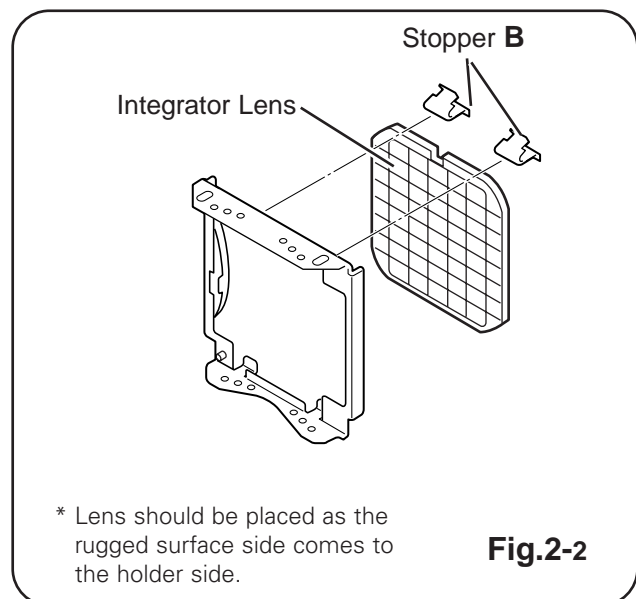


Fig.2-2

Condenser lens disassembly

- 1 Remove 2 screws **A** and pull the Condenser Lens ass'y upward.
- 2 Remove 4 screws **B** to take the Lens off from the holder.

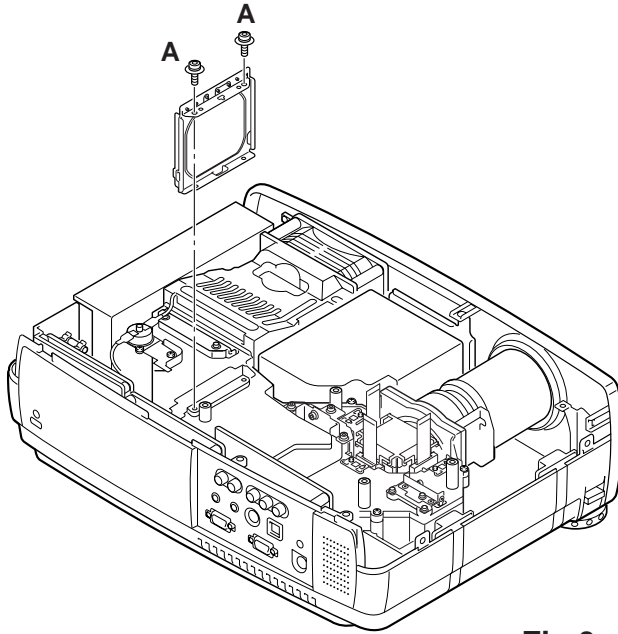


Fig.3-1

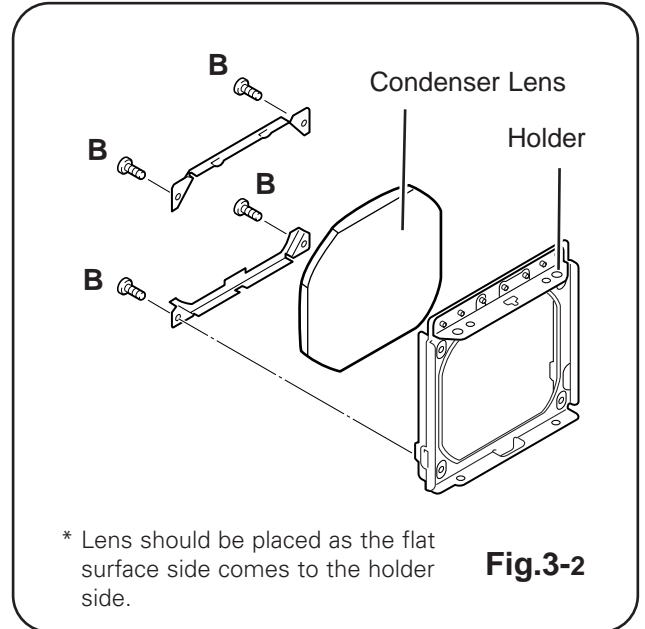


Fig.3-2

Condenser Lens-Out disassembly

- 1 Remove 2 screws **A** and pull the Condenser Lens-Out ass'y upward.
- 2 Remove 2 screws **B** to take the Lens off from the holder.

Note:

Lens should be placed as shown in the figure below.

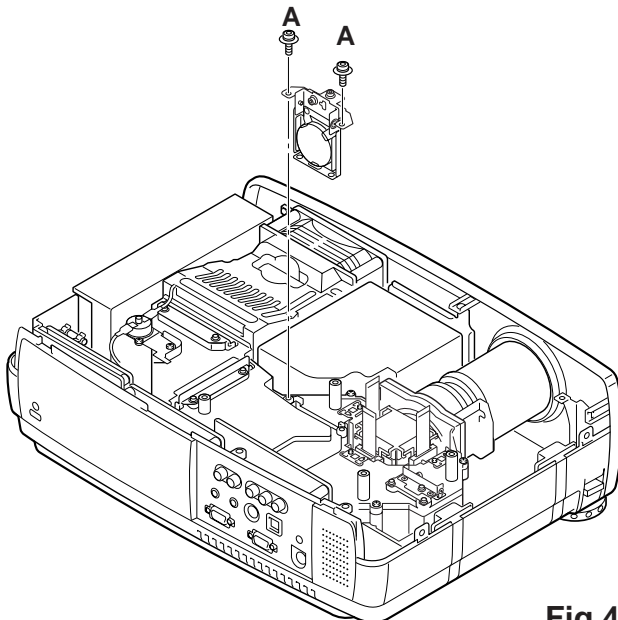


Fig.4-1

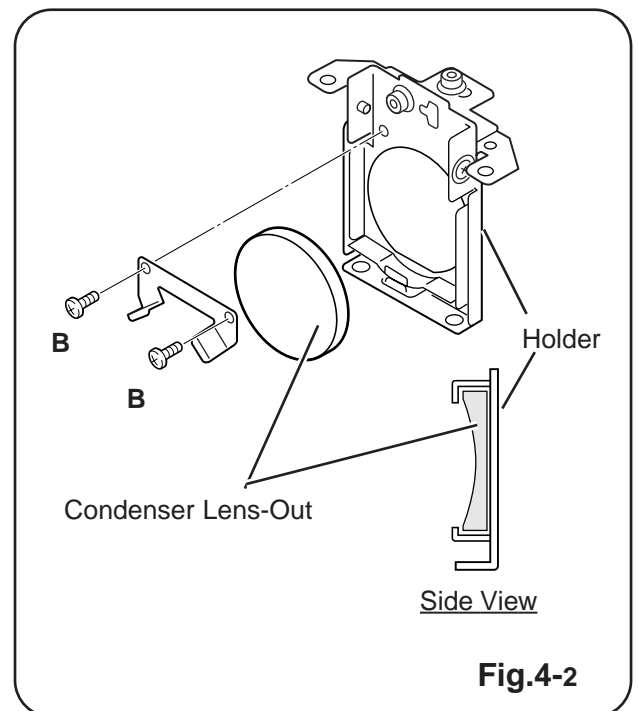


Fig.4-2

Relay Lens-Out disassembly

- 1 Remove 2 screws **A** and pull the Relay Lens-Out ass'y upward.
- 2 Remove 2 screws **B** to take the Lens off from the holder.

Note:

There is no mounting direction of the lens.

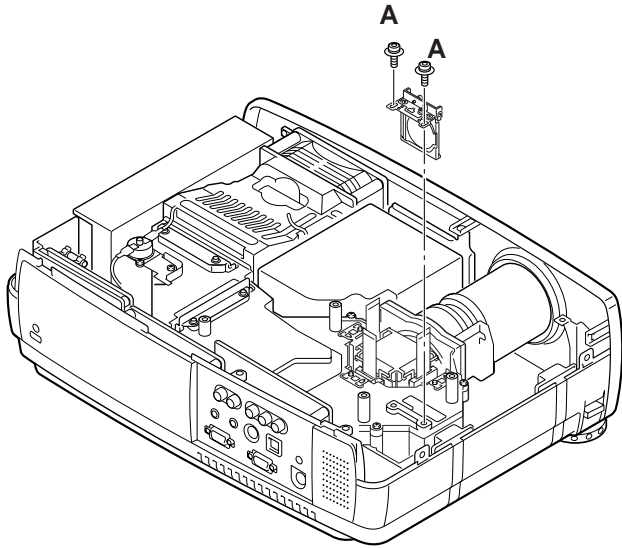


Fig.5-1

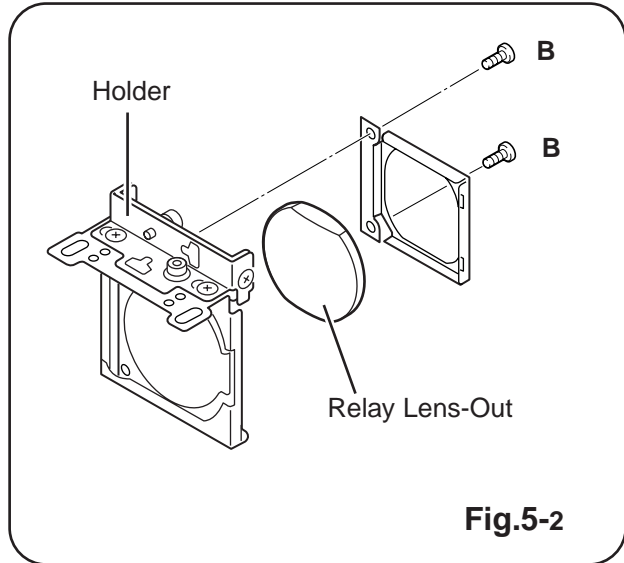


Fig.5-2

Polarized Glass-In removal

- 1 Remove each screw and pull the Polarized Glass-In ass'y upward.
- 2 Unhook the stoppers and take the glass off upward.

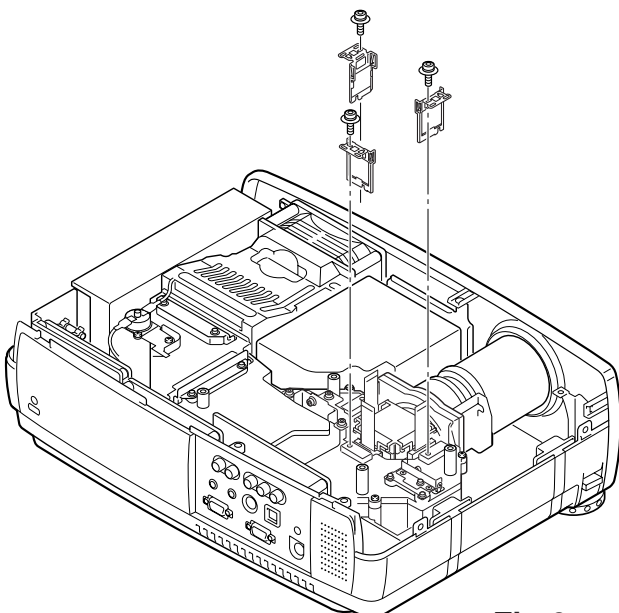


Fig.6-1

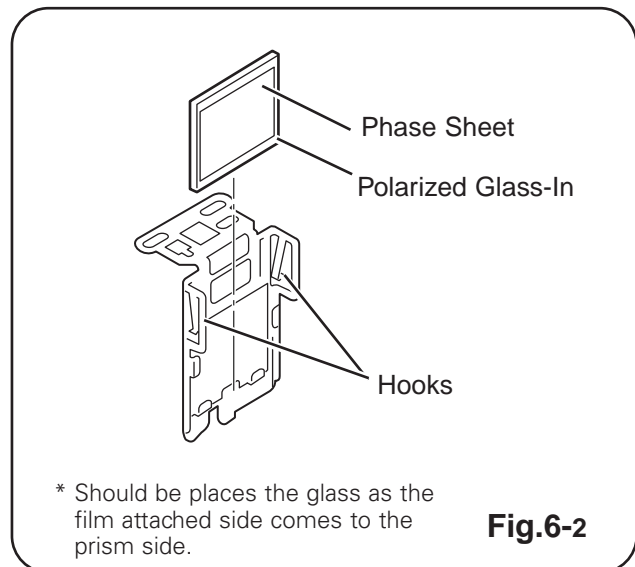


Fig.6-2

Polarized Glass-Out removal

- 1 Remove 4 screws **A** and take the LCD/Prism ass'y off upward from the optical unit.
- 2 Remove each screw **B** and take the glass off upward.

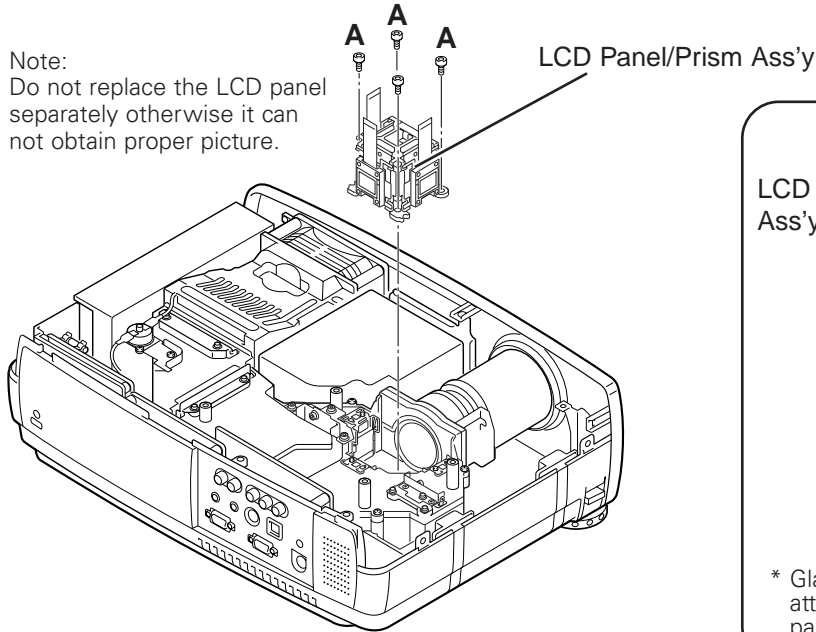
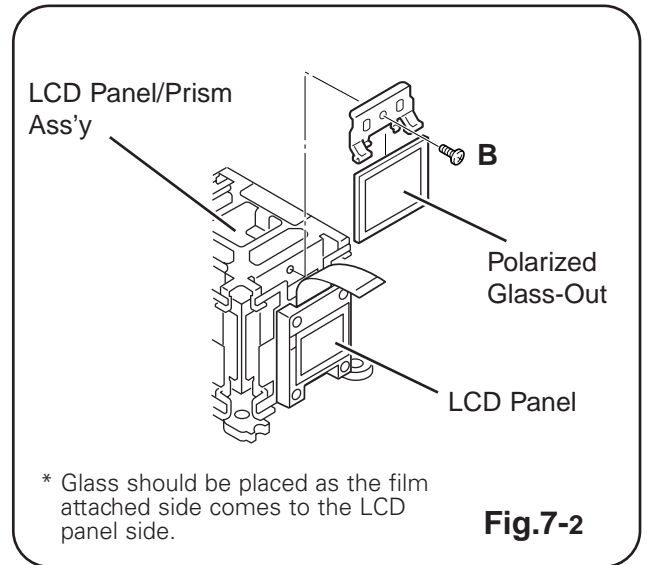


Fig.7-1



Optical Unit Top removal

- 1 Remove 9 screws to take the Optical Unit Top off upward.

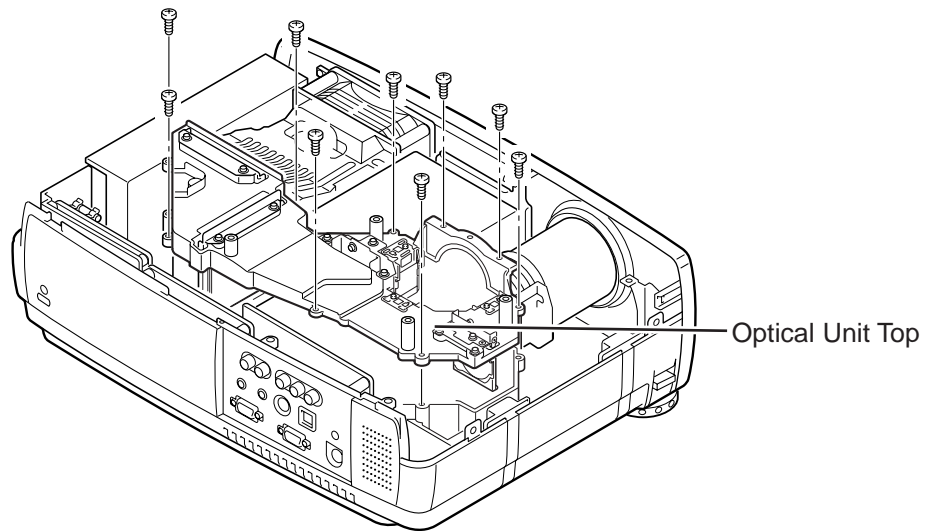


Fig.8

Locations and Directions

When mounting or assembling the optical parts in the optical unit, the parts must be mounted in the specified location and direction as shown in figure below.

Key No.	Description
1	Mirror (W)
2	Integrator lens (OUT)
3	Prism beam splitter (PBS)
4	Dichroic mirror (B)
5	Condenser lens (OUT)
6	Dichroic mirror (G)
7	Relay lens (IN)
8	Mirror (R)
9	Condenser lens (R)
10	Condenser lens
11	Condenser lens (B)
12	Optical filter (UV cut)
13	Mirror (B)

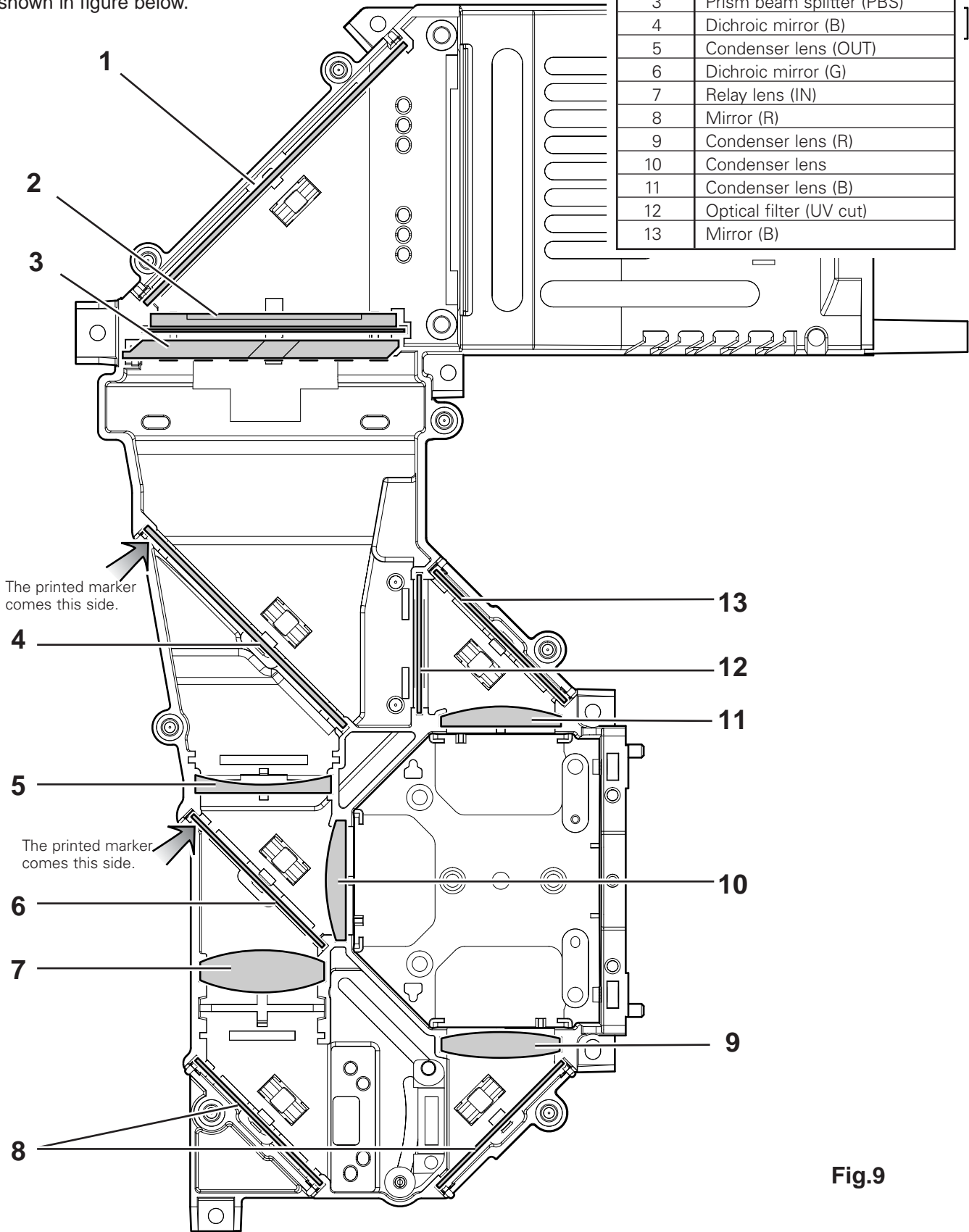


Fig.9

■ LCD Panel/Prism Ass'y Replacement

IMPORTANT NOTICE on LCD Panel/Prism Ass'y Replacement

LCD panels used for this model can not be replaced separately. Do not disassemble the LCD Panel/Prism Ass'y. These LCD panels are installed with precision at the factory. When replacing the LCD panel, should be replaced whole of the LCD panels and prism ass'y at once.

After replacing LCD Panel/Prism ass'y, please check the following adjustments.

- Check the "Condenser Lens Adjustment", "Condenser Lens-Out Adjustment" and "Relay Lens-Out Adjustment" following to chapter "Optical Adjustment".
- Check the "White Balance Adjustment", "Common Center Adjustment" and "Gamma Shift Adjustment" following to chapter "Electrical Adjustment".
- Check the white uniformity on the screen.

If you find the color shading, please adjust the white uniformity by using the proper computer and "Color Shading Correction" software supplied separately.

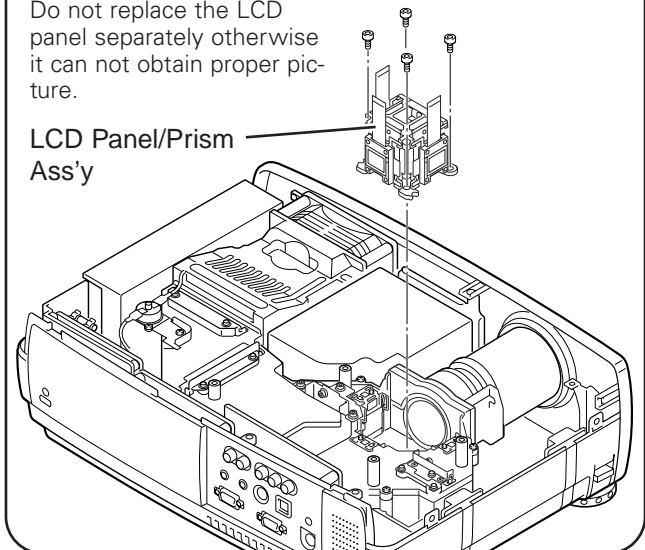
LCD Panel/Prism Ass'y removal

- 1 Remove the cabinet top and main board following to "Mechanical Disassemblies".
- 2 Remove 4 screws by using the 2.0 mm hex driver and take the LCD Panel/Prism ass'y off upward from the optical unit.

Note:

Do not replace the LCD panel separately otherwise it can not obtain proper picture.

LCD Panel/Prism Ass'y



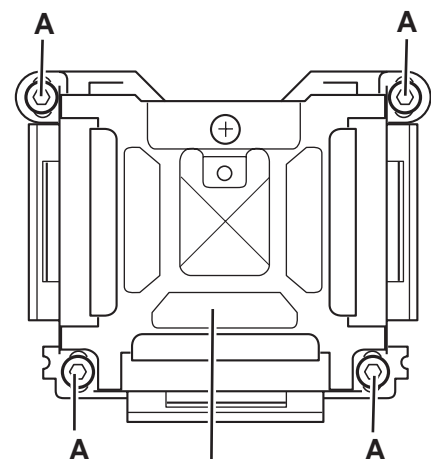
Note on LCD Panel/Prism Ass'y Mounting

After replacing or installing the LCD Panel/Prism ass'y, please make sure to obtain the best focus in both TELE and WIDE zoom. If the focus adjustment is required, please adjust the positioning of LCD Panel/Prism Ass'y by following below procedure.

Mounting Procedure:

- 1 Loosen 4 screws **A** on the LCD Panel/Prism ass'y with 2.0 mm hex driver.
- 2 Turn the projector on and project the image with WIDE zoom, and adjust the FOCUS control to obtain the best focus.
- 3 Turn the ZOOM control to the TELE position.
- 4 Move the LCD Panel/Prism Ass'y backward or forward (about 0mm ~ 0.8mm) to obtain the proper focus. Confirm the focus at TELE and WIDE zoom.
- 5 Tighten 4 screws **A** to fix the LCD Panel/Prism ass'y.

Top View



LCD Panel/Prism Ass'y

■ Lamp Replacement

WARNING:

- For continued safety, replace with a lamp assembly of the same type.
- Allow the projector to cool for at least 45 minutes before you open the lamp cover. The inside of the projector can become very hot.
- Do not drop the lamp module or touch the glass bulb! The glass can shatter and cause injury.

Procedure

- 1 Turn off the projector and disconnect the AC cord. Allow the projector to cool for at least 45 minutes.
- 2 Remove a screw with a screwdriver and remove the lamp cover.
- 3 Remove 2 screws and pull out the lamp assembly by grasping the handle.
- 4 Replace the lamp assembly securely and tighten 3 screws.
- 5 Place the lamp cover and tighten a screw.
- 6 Connect the AC cord to the projector and turn on.

7 Reset the Lamp Replace Counter, see below explanation.

Note:

- Do not reset the Lamp Replace Counter, except after lamp is replaced.
- The projector can not be turned-on with lamp cover removed, because when the lamp cover is removed, the interlock switch is also released to switch off the mains power for safety.

How to reset Lamp Replace Counter

- 1 Turn the projector on, and press the **MENU** button and the on-screen menu will appear. Press the **POINT LEFT/RIGHT** buttons to move a red frame pointer to SETTING menu icon.
- 2 Press the **POINT DOWN** button to move a red frame pointer to "Lamp counter reset" and then press the **SELECT** button. The message "Lamp replace counter reset?" is displayed. Move the pointer to [Yes] and the press the **SELECT** button.
- 3 Another confirmation dialog box appears and select [Yes] to reset Lamp Replace Counter .

Please refer to the owners manual for further information.

Please refer to Revision-1 for information on How to check Lamp Replace Counter

How to check Lamp Replace Counter

The LAMP REPLACEMENT indicator will illuminate when the Lamp Replace Counter reaches 1000 hours. This is to indicate that lamp replacement is required.

You can check the lamp replace counter following to below procedure.

- 1 Press and hold the pointer **UP** on the projector for more than 20 seconds.
- 2 The Lamp replace Counter service menu appears on the screen. For example, when the value of data indicates "123", the accumulated operation time is 123

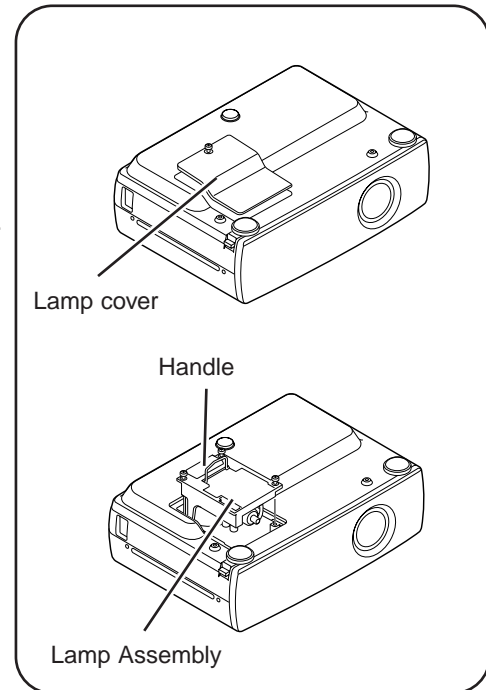
hours. To make this menu disappear, press Power button on the projector.

Service Mode		
Input	Video	
Group	No.	Data
10	0	123
Ver.	1	.00

Lamp replace counter data

ORDER REPLACEMENT LAMP

Type No. _____ Service Parts No.
POA-LMP35 610 293 2751



Recommendation

Should the air filter become clogged with dust particles, it will reduce the cooling fan's effectiveness and may result in internal heat build up and short lamp life. We recommend cleaning the air filter after the projection lamp is replaced.

Refer to "Air Filter Cleaning".

■ Optical Adjustments

Before taking optical adjustments below, remove the Cabinet Top and Main Board following to the “Mechanical Disassemblies”

Adjustments require a 2.0mm hex wrench and a slot screwdriver. When you adjust Condenser lens, Condenser lens-out or Relay lens adjustment, you need to disconnect some connectors and FPC cables of LCD panels on the main board.

Note: Do not disconnect connectors K8N, K8P, K8H, K8R and K8S on the main board, because the projector can not turn on due to operate the power failure protection.

Contrast adjustment

[Before Adjustment]

- Input a 100% of black raster signal.

[R/G/B-CONTRAST ADJUSTMENT]

- 1 Loosen a screw **A** (Fig.1-1/1-2) on the polarized glass mounting base which you intend to adjust.
- 2 Turn the polarized glass mounting base as shown in Fig.1-1 to obtain the darkest brightness on the screen.
- 3 Tighten the screw **A** to fix the polarized glass mounting base.

Repeat steps 1 to 3 for remaining polarized glasses.

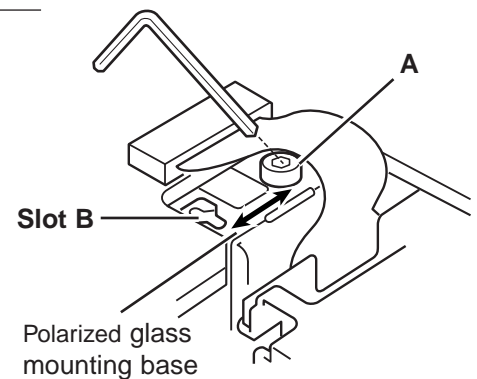


Fig.1-1

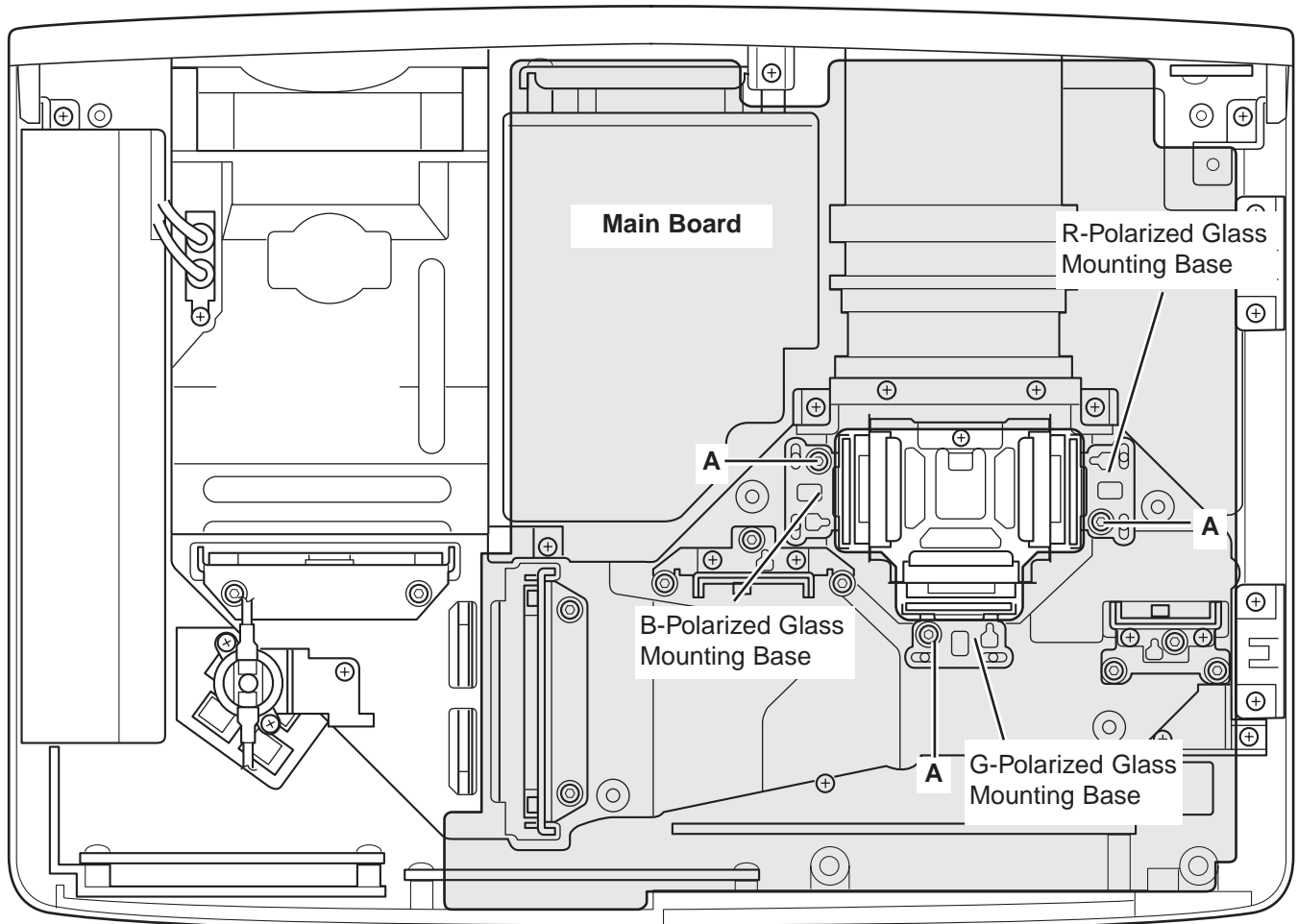
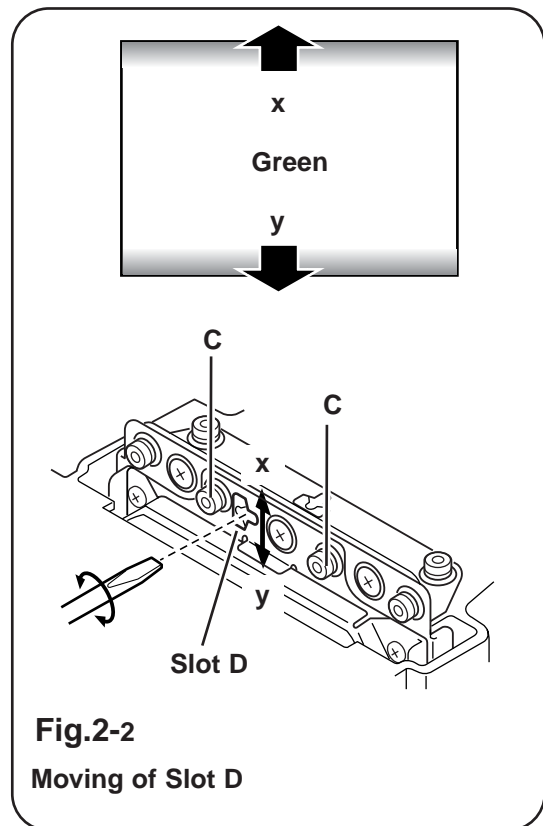
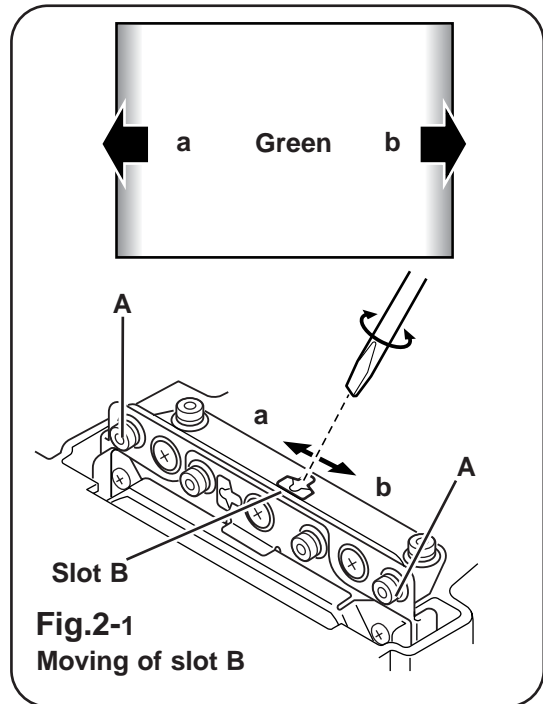
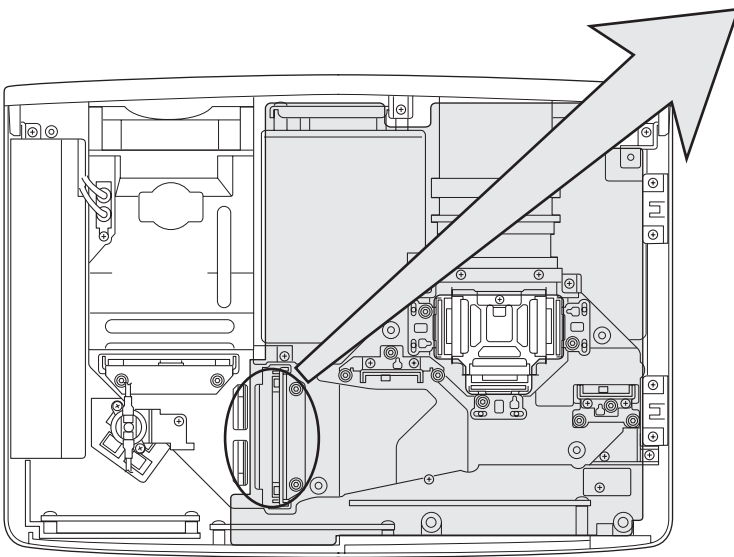


Fig.1-2

Condenser Lens adjustment

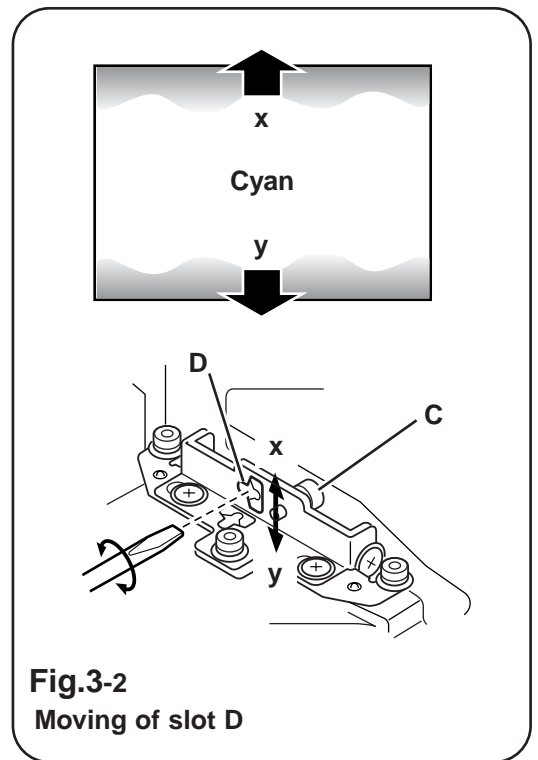
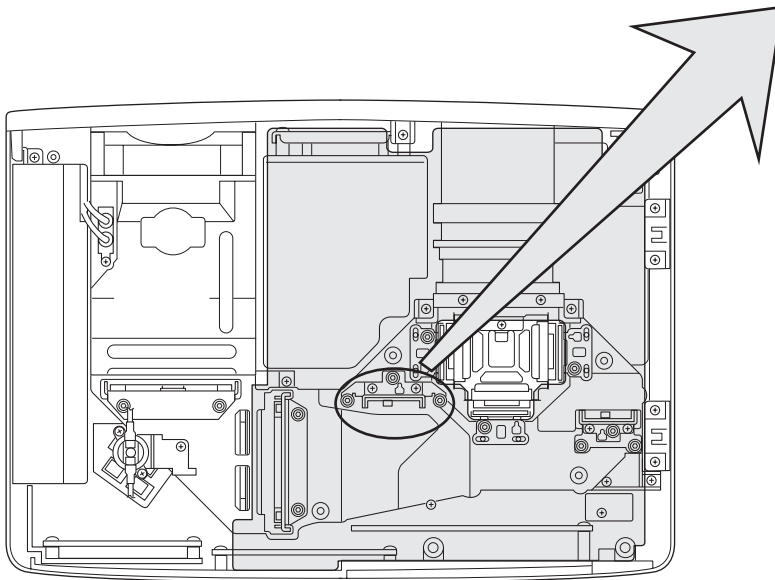
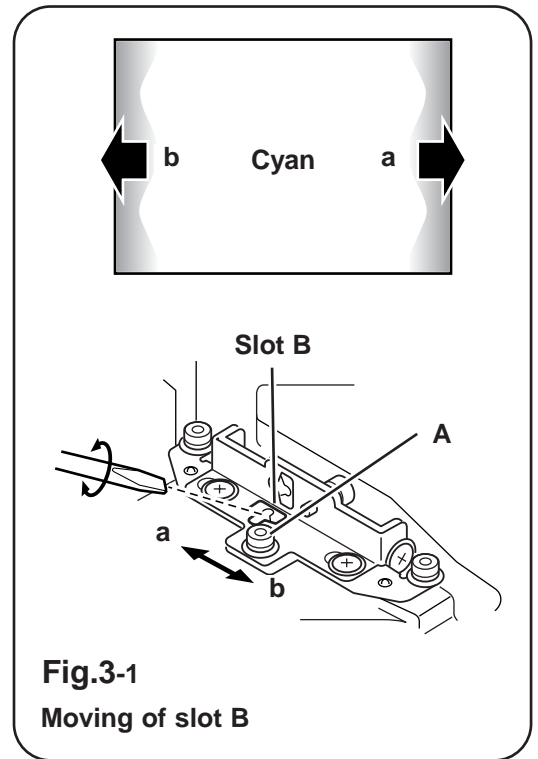
- 1 Turn the projector on by a state of without FPC cables.
- 2 Project only green light on the screen.
- 3 Adjust the adjustment base of condenser lens assy to make color uniformity in green.
 - 1) If the shading appears on the left or right of the screen as shown in **Fig.2-1**, loosen 2 screws **A** with the 2.0mm hex driver, and adjust the slot **B** to make color uniformity in green by using a slot screwdriver.
 - 2) If the shading appears on the top or bottom of the screen as shown in **Fig.2-2**, loosen 2 screw **C** with the 2.0mm hex driver, and adjust the slot **D** to make color uniformity in green by using a slot screwdriver
- 4 Tighten screws **A** and **C** to fix the Condenser lens unit.

Note:
The relay lens adjustment must be carried out after completing this adjustment.



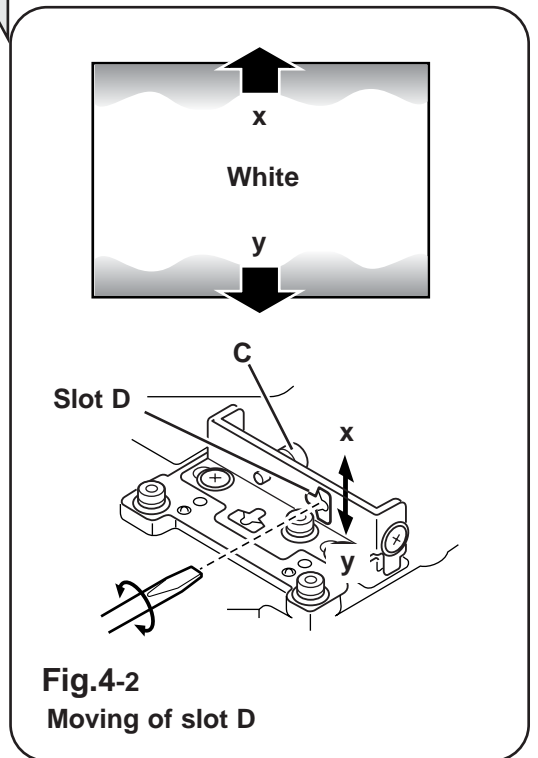
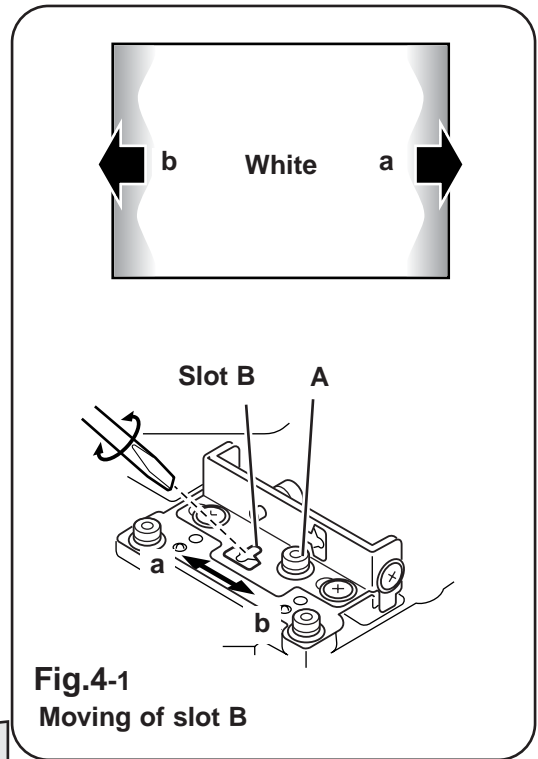
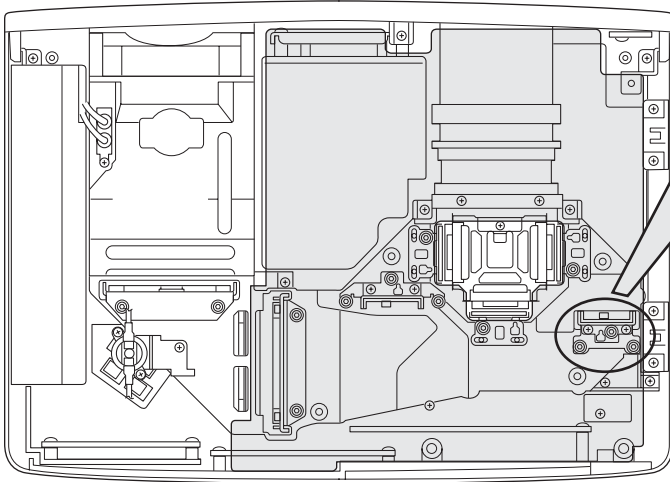
Condenser Lens-Out adjustment

- 1 Turn the projector on by a state of without FPC cables.
- 2 Project green and blue lights on the screen.
- 3 Adjust the adjustment base of condenser lens-out assy to make color uniformity in cyan.
 - 1) If the shading appears on the left or right of the screen as shown in **Fig.3-1**, loosen 1 screw **A** with the 2.0mm hex driver, and adjust the slot **B** to make color uniformity in cyan by using a slot screwdriver.
 - 2) If the shading appears on the top or bottom of the screen as shown in **Fig.3-2**, loosen 1 screw **C** with the 2.0mm hex driver, and adjust the slot **D** to make color uniformity in cyan by using a slot screw driver.
- 4 Tighten the screw **A** and **C** to fix the relay lens unit.



Relay lens-Out adjustment

- 1 Turn the projector on by a state of without FPC cables.
- 2 Project all of lights on the screen.
- 3 Adjust the adjustment base of relay lens assy to make color uniformity in white.
 - 1) If the shading appears on the left or right of the screen as shown in **Fig.4-1**, loosen 1 screw **A** with the 2.0mm hex driver, and adjust the slot **B** to make color uniformity in white by using a slot screwdriver.
 - 2) If the shading appears on the top or bottom of the screen as shown in **Fig.4-2**, loosen 1 screw **C** with the 2.0mm hex driver, and adjust the slot **D** to make color uniformity in white by using a slot screwdriver.
- 4 Tighten the screws **A** and **C** to fix the relay lens unit.



■ Electrical Adjustments

● Service Adjustment Menu Operation

To enter the service mode

To enter the “Service Mode”, press and hold the **MENU** and **IMAGE** button on the projector at the same time for more than 3 seconds. The service menu appears on the screen as follows.

To adjust service data

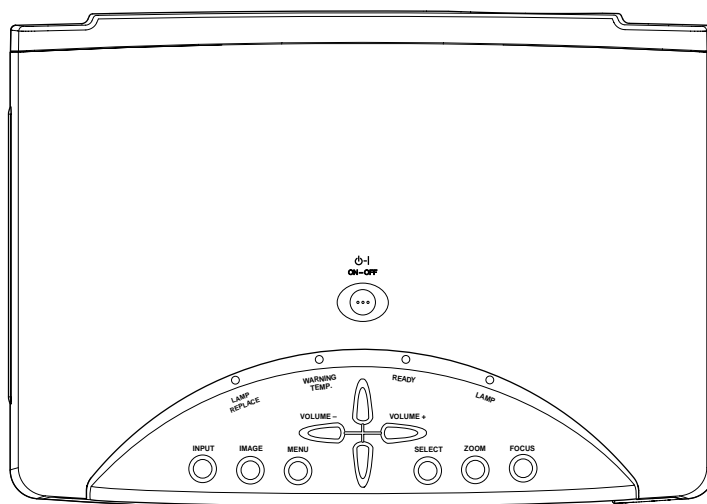
Select the adjustment group no. by pressing the **MENU** button, and select the adjustment item no. by pressing the pointer **UP** or **DOWN** button, and change the data value by pressing the **VOLUME –** or **VOLUME +** button. Refer to the “Service Adjustment Data Table” for further description of adjustment group no., item no. and data value.

To exit the service mode

To exit the service mode, press the **POWER ON-OFF** button on the projector or remote control unit.

Service Mode		
Input	Video	
Group	No.	Data
0	0	32
Vsr.		.00

Group No. Item No. Data value



● Memory IC Replacement

IC1801 on the main board stores the data for the service adjustments, and should not be replaced except for the case of defective device.

If replaced, it should be performed the re-adjustments following to the “Electrical Adjustments”.

The data of lamp replacement monitor timer is stored in the IC1801.

Please note that the lamp replace counter is reset when the memory IC (IC1801) is replaced.

(Lamp replace counter can not be set to the previous value.)

● Caution to memory IC replacement

When IC1801 is replaced with new one, the CPU writes down the default data of the service adjustments to the replaced IC, refer to the service adjustment table. As these data are not the same data as factory shipped data, it should be required to perform the re-

adjustments following to the “Electrical Adjustments”. Please note that the lamp replace counter is reset.

● Caution of Main Board replacement (in the case IC1801 is not defective)

When the main board is replaced, IC1801 should be replaced with the one on previous main board. After replacement, it should be required to perform the re-adjustments following to the “Electrical Adjustments”. In this case, the lamp replace counter can be kept the value as before.

● Circuit Adjustments

CAUTION: The each circuit has been made by the fine adjustment at factory. Do not attempt to adjust the following adjustments except requiring the readjustments in servicing otherwise it may cause loss of performance and product safety.

[Adjustment Condition]

- Input signal
 - Video signal 1.0Vp-p/75Ω terminated, 16 steps gray scale (Composite video signal)
 - Computer signal..... 0.7Vp-p/75Ω terminated, 16 steps gray scale pattern (XGA)
- Picture control mode “STANDARD” mode unless otherwise noted.

Note:

* Please refer to “Service Adjustment Menu Operation” for entering to the service mode and adjusting the service data.

Output Voltage adjustment

After replacing the Power Board, P.F.C. Board, readjust the Output voltage adjustment as follows.

1. Connect a digital voltmeter to pins 1 (+) and 3 (-) of **K6D**.
2. Adjust the voltage by using **VR611** as following.

<u>AC Input</u>	<u>Reading</u>
230V	370V ±2V
or 120V	340V ±2V

Caution:

Be sure to connect the lamp when taking this adjustment.

Fan Voltage adjustment

1. Enter the service mode and select group no. “**11**” and item no. “**0**”. Set data value to “**1**”.
2. Connect a digital voltmeter to test point “TP12V1” (+) and chassis ground (-). Select item no. “**1**” and change data value to adjust voltage to be 8.0 ±0.1V.
3. Connect a digital voltmeter to test point “TP12V2” (+) and chassis ground (-). Select item no. “**2**” and change data value to adjust voltage to be 9.0 ±0.1V.
4. Select group no. “**11**” and item no. “**0**” and set data value to “**3**”.
5. Connect a digital voltmeter to test point “TP12V1” (+) and chassis ground (-). Select item no. “**3**” and change data value to adjust voltage to be 13.0 ±0.1V.
6. Connect a digital voltmeter to test point “TP12V2” (+) and chassis ground (-). Select item no. “**4**” and change data value to adjust voltage to be 13.5 ±0.1V.

Pedestal adjustment

1. Receive the 16-step grey scale video signal.
2. Set to **VIDEO** mode.
3. Enter the service mode.

[R-PEDESTAL ADJUSTMENT]

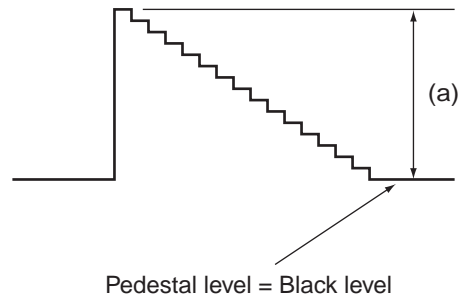
4. Connect an oscilloscope to test point “TP201R” (+) and chassis ground (-).
5. Select group no. “**3**”, item no. “**14**” and change data value to adjust the pedestal level and black level to be the same level.

[G-PEDESTAL ADJUSTMENT]

6. Connect an oscilloscope to test point “TP201G” (+) and chassis ground (-).
7. Select group no. “**3**”, item no. “**15**” and change data value to adjust the pedestal level and black level to be the same level.

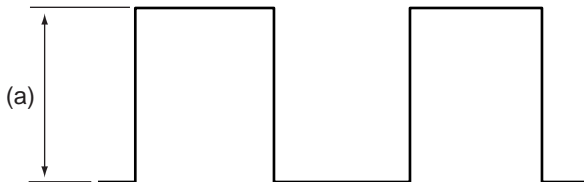
[B-PEDESTAL ADJUSTMENT]

8. Connect an oscilloscope to test point “TP201B” (+) and chassis ground (-).
9. Select group no. “**3**”, item no. “**16**” and change data value to adjust the pedestal level and black level to be the same level.



NRS adjustment

1. Receive the 16-step grey scale computer signal.
2. Set to **COMPUTER** mode.
3. Connect an oscilloscope to test point "TP3551" (+) and chassis ground (-).
4. Enter the service mode, select group no. "3", item no. "7" and change data value to adjust amplitude "a" to be $4.8 \pm 0.1V$.



Signal Center adjustment

1. Receive the 16-step grey scale computer signal.
2. Set to **COMPUTER** mode.
3. Enter the service mode.

[R-SIGNAL CENTER ADJUSTMENT]

4. Connect a digital voltmeter to test point "TP25R1" (+) and chassis ground (-).
5. Select group no. "3", item no. "0" and change data value to adjust the voltage to be $7.30 \pm 0.05V$.

[G-SIGNAL CENTER ADJUSTMENT]

6. Connect a digital voltmeter to test point "TP25G1" (+) and chassis ground (-).
7. Select group no. "3", item no. "1" and change data value to adjust the voltage to be $7.30 \pm 0.05V$.

[B-SIGNAL CENTER ADJUSTMENT]

8. Connect a digital voltmeter to test point "TP25B1" (+) and chassis ground (-).
9. Select group no. "3", item no. "2" and change data value to adjust the voltage to be $7.30 \pm 0.05V$.

Black Level adjustment

1. Receive the 16-step grey scale computer signal.
2. Set to **COMPUTER** mode.
3. Enter the service mode.

[R-BLACK ADJUSTMENT]

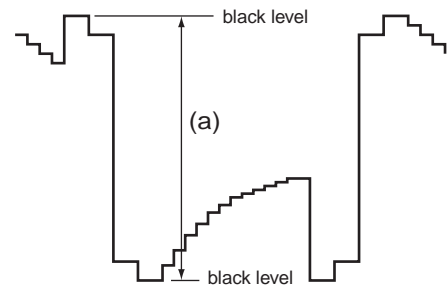
4. Connect an oscilloscope to test point "TP25R1" (+) and chassis ground (-).
5. Select group no. "3", item no. "3" and change data value to adjust amplitude "a" to be $10.0 \pm 0.1V$.

[R-BLACK ADJUSTMENT-]

6. Connect an oscilloscope to test point "TP25G1" (+) and chassis ground (-).
7. Select group no. "3", item no. "4" and change data value to adjust amplitude "a" to be $10.0 \pm 0.1V$.

[R-BLACK ADJUSTMENT-]

8. Connect an oscilloscope to test point "TP25B1" (+) and chassis ground (-).
9. Select group no. "3", item no. "5" and change data value to adjust amplitude "a" to be $10.0 \pm 0.1V$.



PC Offset adjustment

1. Receive the 16-step gray scale computer signal.
2. Set to **COMPUTER** mode.
3. Enter the service mode.

[R-OFFSET ADJUSTMENT]

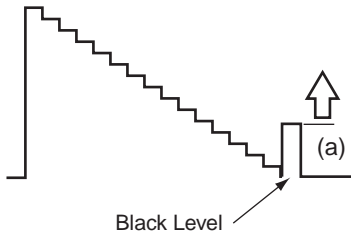
4. Connect an oscilloscope to test point "TP25R1" (+) and chassis ground (-).
5. Select group no. "3", item no. "11" and change data value to adjust the waveform "a" (black portion) to be maximum amplitude.

[G-OFFSET ADJUSTMENT]

6. Connect an oscilloscope to test point "TP25G1" (+) and chassis ground (-).
7. Select group no. "3", item no. "12" and change data value to adjust the waveform "a" (black portion) to be maximum amplitude.

[B-OFFSET ADJUSTMENT]

8. Connect an oscilloscope to test point "TP25B1" (+) and chassis ground (-).
9. Select group no. "3", item no. "13" and change data value to adjust the waveform "a" (black portion) to be maximum amplitude.



PC Gain adjustment

1. Receive the 16-step gray scale computer signal.
2. Set to **COMPUTER** mode.
3. Enter the service mode.

[R-GAIN ADJUSTMENT]

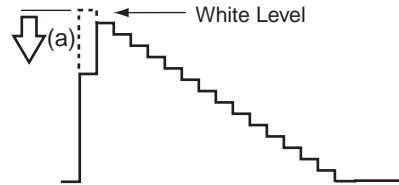
4. Connect an oscilloscope to test point "TP25R1" (+) and chassis ground (-).
5. Select group no. "2", item no. "3" and change data value to adjust waveform "a" to be minimum amplitude.

[G-GAIN ADJUSTMENT]

6. Connect an oscilloscope to test point "TP25G1" (+) and chassis ground (-).
7. Select group no. "2", item no. "4" and change data value to adjust waveform "a" to be minimum amplitude.

[B-GAIN ADJUSTMENT]

8. Connect an oscilloscope to test point "TP25B1" (+) and chassis ground (-).
9. Select group no. "2", item no. "5" and change data value to adjust waveform "a" to be minimum amplitude.



AV Gain adjustment

1. Receive the 16-step gray scale video signal.
2. Set to **VIDEO** mode.
3. Enter the service mode.

[R-GAIN ADJUSTMENT]

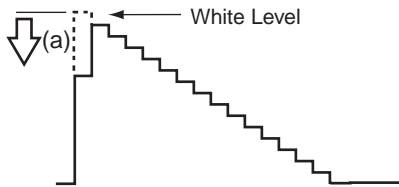
4. Connect an oscilloscope to test point "TP25R1" (+) and chassis ground (-).
5. Select group no. "2", item no. "3" and change data value to adjust waveform "a" to be minimum amplitude.

[G-GAIN ADJUSTMENT]

6. Connect an oscilloscope to test point "TP25G1" (+) and chassis ground (-).
7. Select group no. "2", item no. "4" and change data value to adjust waveform "a" to be minimum amplitude.

[B-GAIN ADJUSTMENT]

8. Connect an oscilloscope to test point "TP25B1" (+) and chassis ground (-).
9. Select group no. "2", item no. "5" and change data value to adjust waveform "a" to be minimum amplitude.



Common Center adjustment

1. Receive the 1 dot black & white pattern computer signal.
2. Set to **COMPUTER** mode.
3. Enter the service mode.

[G-COMMON CENTER ADJUSTMENT]

4. Project only green light component to the screen.
5. Select group no. "3", item no. "8" and change data value to obtain the minimum flicker on the screen.

[B-COMMON CENTER ADJUSTMENT]

6. Project only blue light component to the screen.
7. Select group no. "3", item no. "9" and change data value to obtain the minimum flicker on the screen.

[R-COMMON CENTER ADJUSTMENT]

8. Project only red light component to the screen.
9. Select group no. "3", item no. "10" and change data value to obtain the minimum flicker on the screen.

Gamma Shift adjustment

[PC-GAMMA OFF ADJUSTMENT]

1. Receive the 16-step gray scale computer signal.
2. Set to **COMPUTER** mode.
3. Enter the service mode, select group no. "2", item no. "6" and change data value to reproduce the proper gray scale picture on the screen.

[AV-GAMMA OFF ADJUSTMENT]

4. Receive the 16-step gray scale video signal.
5. Set to **VIDEO** mode.
6. Enter the service mode, select group no. "2", item no. "6" and change data value to reproduce the proper gray scale picture on the screen.

White Balance adjustment

[PC WHITE BALANCE ADJUSTMENT]

1. Receive the 16-step gray scale computer signal.
2. Set to **COMPUTER** mode.
3. Enter the service mode, select group no. "2", item no. "7" (Red) or "8" (Blue), and change data values respectively to make a proper white balance.

[AV WHITE BALANCE ADJUSTMENT]

4. Receive the 16-step grey scale video signal.
5. Set to **VIDEO** mode.
6. Enter the service mode, select group no. "2", item no. "7" (Red) or "8" (Blue), and change data values respectively to make a proper white balance.

Confirm that the same white balance is obtained in video and computer input.

NOTE ON WHITE UNIFORMITY ADJUSTMENT

If you find the color shading on the screen, please adjust the white uniformity by using the proper computer and "Color Shading Correction" software supplied separately.

● Service Adjustment Data Table

These initial values are the reference data written from the CPU ROM to memory IC when replaced new memory IC. The adjustment items indicated with “*” are required to readjust following to the “Electrical adjustments”. Other items should be used with the initial data value.

No.	Adjustment Item	Initial Value					Range	Description
Group: 0 TB1274								
0	TINT	32					0 ~ 63	
1	SHP_EQ	2					0 ~ 3	
2	SHP_FO	1					0 ~ 3	
3	SHP_GAIN	NTSC,PAL	SECAM,NT4.43	S-Video	Y,Cb,Cr	0 ~ 15		
		8	8	9	9			
4	Y_OUT_LEVEL	NTSC	NT4.43	PAL	SECAM	0 ~ 63		
		30	30	31	31			
		S-Video NTSC	S-Video PAL	S-Video SECAM	Y,Cb,Cr			
		30	31	31	31			
5	C_OUT_LEVEL	NTSC	NT4.43	PAL	SECAM	0 ~ 63		
		32	32	32	32			
		S-Video NTSC	S-Video PAL	S-Video SECAM	Y,Cb,Cr			
		32	32	32	32			
6	Y_DELAY	NTSC	PAL	SECAM	NT4.43	PAL 60	0 ~ 15	
		6	6	3	4	4		
		S-Video NTSC	S-Video PAL	S-Video SECAM	S-Video NT4.43	S-Video PAL60		
		4	4	3	3	4		
7	COL_SYS	-					-	Read only
8	X'TAL	-					-	
9	NOISE_DET	-					-	
10	V_FREQ	-					-	
11	Vert. Std	-					-	
12	CID	-					-	
13	V_SIG	-					-	
14	Cinema SHP_GAIN	NTSC,PAL	SECAM,NT4.43	S-Video	YCbCr	0 ~ 15	For cinema mode	
		7	7	8	8			
Group: 1 CXA2101								
0	PICTURE	30					0 ~ 63	
1	BRIGHT	31					0 ~ 63	
2	R_DRIVE	31					0 ~ 63	
3	G_DRIVE	31					0 ~ 63	
4	B_DRIVE	31					0 ~ 63	
5	HSEP_SEL	1					0 ~ 1	
6	CR_OFFSET1	15kHz: 7		Others: 10			0 ~ 15	
7	CB_OFFSET1	15kHz: 7		Others: 10			0 ~ 15	
8	BLK_BOTTOM	15					0 ~ 15	
		NTSC	PAL, SECAM	1035i	Y,Cb,Cr *1		*1 Y, Cb, Cr and Y, Pb, Pr except 1035i	
9	R-Y/R	6	13	6	6	0 ~ 15		
10	R-Y/B	5	15	5	5	0 ~ 15		
11	G-Y/R	8	8	8	8	0 ~ 15		
12	G-Y/B	10	4	10	10	0 ~ 15		
13	MAT_OUT	0	0	0	1	0 ~ 3		
		15kHz 480i, 575i		480p, 575p	1080i, 1035i, 720p			
14	SYSTEM	0		1	2	0 ~ 3		
15	V_TC	3		3	3	0 ~ 3		
16	H_WIDTH	3		2	0	0 ~ 3		
17	HS_MASK	0		1	1	0 ~ 1		
		Video, S-Video	480i, 575i	480p, 575p	1080i, 1035i, 720p			
18	CTI_LEVEL	2	2	2	2	0 ~ 3		
		15kHz 480i, 575i		480p, 575p	1080i, 1035i, 720p			
19	SUB_SHP	2		2	2	0 ~ 3		
20	SHP_FO	0		2	3	0 ~ 3		
21	PRE_OVER	2		2	3	0 ~ 3		
22	LTI_LEVEL	0		1	1	0 ~ 3		
23	D_PIC	0		0	0	0 ~ 3		
24	HUE	31					0 ~ 63	Only adjustable for PAL,SECAM
		NTSC	PAL,SECAM	525i,480p	625i,575p	1035i	Others	
25	SUB_COL	5	5	12	12	6	9	0 ~ 15
26	SUB_HUE	7	7	8	7	9	6	0 ~ 15
27	Cinema CTI_LEVEL	2					0 ~ 3	Set this value at Cinema Mode

Electrical Adjustments

No.	Adjustment Item	Initial Value			Range	Description
28	Cinema LTI_LEVEL	0			0 ~ 3	Set this value at Cinema Mode
Group: 2 L3E07050 (Digital Gamma, Color Shading & Timing Controller)						
		PC		DVI,AV		
0	R_SUB_BRT	0		0	0 ~ 1023	
1	G_SUB_BRT	0		0	0 ~ 1023	
2	B_SUB_BRT	0		0	0 ~ 1023	
		PC	AV	DVI		
3	R_SUB_GAIN	573	573	492	0 ~ 1023	* Red PC/AV gain adjustment
4	G_SUB_GAIN	573	573	492	0 ~ 1023	* Green PC/AV gain adjustment
5	B_SUB_GAIN	573	573	492	0 ~ 1023	* Blue PC/AV gain adjustment
		PC, DVI Standard		AV Standard		
6	Standard G GAMMA SHIFT	415		415	Note1	* Gamma shift adjustment
7	Standard R GAMMA SHIFT	415		415	Note1	* White balance adjustment
8	Standard B GAMMA SHIFT	415		415	Note1	* White balance adjustment
9	Standard GAMMA 0	0		0	0 ~ 1023	
10	Standard GAMMA 1	210		166	0 ~ 1023	
11	Standard GAMMA 2	340		290	0 ~ 1023	
12	Standard GAMMA 3	436		406	0 ~ 1023	
13	Standard GAMMA 4	511		496	0 ~ 1023	
14	Standard GAMMA 5	574		560	0 ~ 1023	
15	Standard GAMMA 6	633		626	0 ~ 1023	
16	Standard GAMMA 7	674		672	0 ~ 1023	
17	Standard GAMMA 8	709		709	0 ~ 1023	
18	Standard GAMMA 9	740		740	0 ~ 1023	
19	Standard GAMMA 10	770		770	0 ~ 1023	
20	Standard GAMMA 11	800		800	0 ~ 1023	
21	Standard GAMMA 12	832		838	0 ~ 1023	
22	Standard GAMMA 13	884		877	0 ~ 1023	
23	Standard GAMMA 14	950		940	0 ~ 1023	
24	Standard GAMMA 15	1023		1023	0 ~ 1023	
		PC, DVI Real		AV Cinema		(Different value to Standard)
25	Real/Cinema G GAMMA SHIFT	506		507	Note1	Note1:
26	Real/Cinema R GAMMA SHIFT	512		512	Note1	
27	Real/Cinema B GAMMA SHIFT	504		504	Note1	
28	Real/Cinema GAMMA 0	512		512	0 ~ 1023	
29	Real/Cinema GAMMA 1	492		538	0 ~ 1023	
30	Real/Cinema GAMMA 2	497		524	0 ~ 1023	
31	Real/Cinema GAMMA 3	502		519	0 ~ 1023	
32	Real/Cinema GAMMA 4	507		516	0 ~ 1023	
33	Real/Cinema GAMMA 5	509		515	0 ~ 1023	
34	Real/Cinema GAMMA 6	510		512	0 ~ 1023	
35	Real/Cinema GAMMA 7	510		511	0 ~ 1023	
36	Real/Cinema GAMMA 8	510		510	0 ~ 1023	
37	Real/Cinema GAMMA 9	510		510	0 ~ 1023	
38	Real/Cinema GAMMA 10	510		510	0 ~ 1023	
39	Real/Cinema GAMMA 11	509		510	0 ~ 1023	
40	Real/Cinema GAMMA 12	508		510	0 ~ 1023	
41	Real/Cinema GAMMA 13	506		509	0 ~ 1023	
42	Real/Cinema GAMMA 14	502		502	0 ~ 1023	
43	Real/Cinema GAMMA 15	512		512	0 ~ 1023	
44	R 2	127			0 ~ 255	R Correction value of vertical line
45	G 2	127			0 ~ 255	G Correction value of vertical line
46	B 2	127			0 ~ 255	B Correction value of vertical line
47	Red MID2 Level	453			0 ~ 1023	
48	Red MID1 Level	500			0 ~ 1023	
49	Red MAX Level	576			0 ~ 1023	
50	Green MID2 Level	453			0 ~ 1023	Gray scale level adjustment
51	Green MID1 Level	500			0 ~ 1023	
52	Green MAX Level	575			0 ~ 1023	
53	Blue MID2 Level	418			0 ~ 1023	
54	Blue MID1 Level	465			0 ~ 1023	
55	Blue MAX Level	541			0 ~ 1023	
56	DVI std G GAMMA SHIFT	512			0 ~ 1023	
57	DVI std R GAMMA SHIFT	512			0 ~ 1023	
58	DVI std B GAMMA SHIFT	512			0 ~ 1023	
Group: 3 DAC						
0	R_VIDEO_CENTER	113			0 ~ 255	* Red Signal center adjustment
1	G_VIDEO_CENTER	113			0 ~ 255	* Green Signal center adjustment
2	B_VIDEO_CENTER	113			0 ~ 255	* Blue Signal center adjustment

Electrical Adjustments

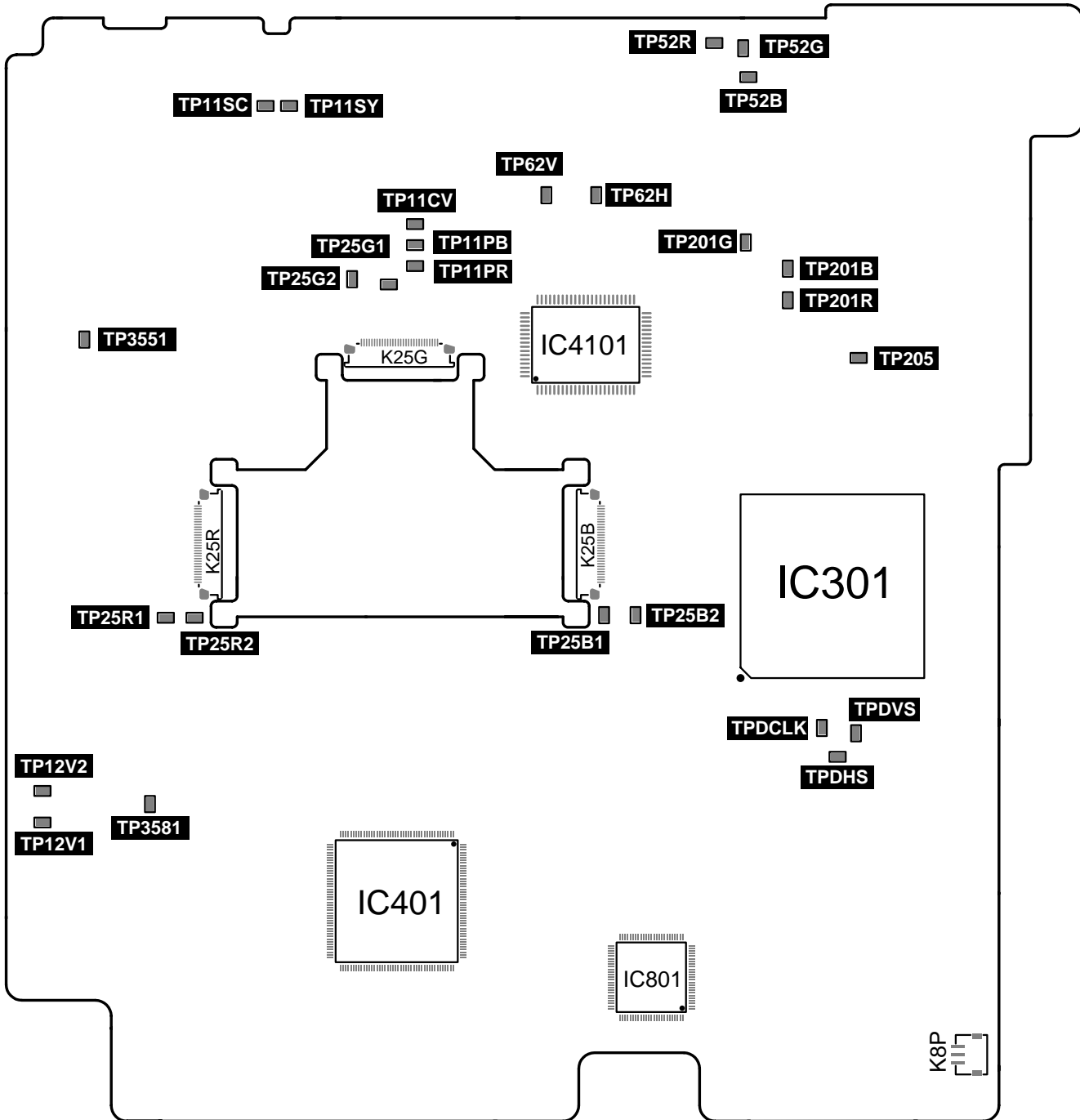
No.	Adjustment Item	Initial Value	Range	Description				
3	REF_R	148	0 ~ 255	* Red white-black level adjustment				
4	REF_G	148	0 ~ 255	* Green white-black level adjustment				
5	REF_B	148	0 ~ 255	* Blue white-black level adjustment				
6	NRS_B	128	0 ~ 255					
7	NRS_A	135	0 ~ 255	* NRS adjustment				
8	G_V_COM	140	0 ~ 255	* Green common center adjustment				
9	B_V_COM	140	0 ~ 255	* Blue common center adjustment				
10	R_V_COM	140	0 ~ 255	* Red common center adjustment				
11	R_CLMP	63	0 ~ 255	* Red PC offset adjustment				
12	G_CLMP	63	0 ~ 255	* Green PC offset adjustment				
13	B_CLMP	63	0 ~ 255	* blue PC offset adjustment				
14	R_BLK_DC	76	0 ~ 255	* Red pedestal adjustment				
15	G_BLK_DC	76	0 ~ 255	* Green pedestal adjustment				
16	B_BLK_DC	76	0 ~ 255	* blue pedestal adjustment				
Group: 4 TA1318								
		15kHz	31kHz	33kHz	45kHz			
0	SEP_LEV	0	0	0	0	0 ~ 3		
		1080i	720p	480p	575i,PAL,SECAM	480i,NTSC		
1	HD_PHASE	36	38	36	32	32	0 ~ 63	
2	V_FREQ						-	
3	H_FREQ						-	
4	HD_IN						-	
Group: 5 LP05 (Turbo)								
0	LP05_R_GAIN	128					0 ~ 255	
1	LP05_G_GAIN	128					0 ~ 255	
2	LP05_B_GAIN	128					0 ~ 255	
3	TURBO_GAIN	19					0 ~ 255	
Group: 10 Option								
0	Lamp Time Monitor	-					-	Read only
1	RS232C Baudrate	0					0 ~ 1	0: 19200bps 1: 9600bps
2	Shootout Mode	0					0 ~ 2	1:Mode-1(Change when no signal input) 2:Mode-2(Priority of AV) 0: Disable
3	Cooling Time	3					0 ~ 15	Set cooling time period 1:30 sec. 3:90 sec. 15:450 sec. 0:On conti.
4	High-Land SW	0					0 ~ 1	0:Normal mode(Normal operation) 1:Highland mode(max speed in normal)
5	V-Sync SW	0					0 ~ 1	0:Vertical-synchronized 1:No vertical-synchronized
6	Color Shading SW	1					0 ~ 1	Color correction 0:No 1:Yes, adjustable but does no store the value
7	MCI Output Auto	1					0 ~ 1	Auto: 1, Fixed: 0
6	Keystone Option	0					0 ~ 1	Fixed limitation : 0, Change limitation to the input: 1
Group: 11 Fan Control								
					* Fan voltage adjustment			
0	Fan Speed Mode	0					0 ~ 3	0: Fan control 1: Min., 2: Mid., 3: Max. it can not be memorized.
1	Fan-1 Min Data	44					0 ~ 127	Minimum output data when controlling Fans *
2	Fan-2 Min Data	63					0 ~ 127	Minimum output data when controlling Fans *
3	Fan-1 Max Data	217					128 ~ 255	Maximum output data when controlling Fans *
4	Fan-2 Max Data	236					128 ~ 255	Maximum output data when controlling Fans *
5	Temp Low	37					10 ~ 80	Decides output data of DAC for temperature
6	Temp High	45					30 ~ 80	Decides output data of DAC for temperature
7	Fan-1 Temp Error	61					30 ~ 80	Temperature which CPU judges the abnormal temperature (optical unit temperature, on Main board)
8	Fan-2 Temp Error	51					30 ~ 80	Temperature which CPU judges the abnormal temperature (outside temperature, on Temp board)
9	Fan-1 Speed Monitor	-					0 ~ 255	Read only, displays DAC output data
10	Fan-2 Speed Monitor	-					0 ~ 255	Read only, displays DAC output data
11	Temp Monitor	-					0 ~ 9999	Read only (Upper 2 byte indicates for Fan-1. Lower 2 byte indicates Fan-2)
12	Eco mode Fan-1 Min Data	44					0 ~ 127	decides minimum output data at Eco mode.
13	Eco mode Fan-2 Min Data	63					0 ~ 127	decides minimum output data at Eco mode.
14	Eco mode Fan-1 Max Data	217					128 ~ 255	decides maximum output data at Eco mode.
15	Eco mode Fan-2 Max Data	236					128 ~ 255	decides maximum output data at Eco mode.
Group: 12 PC Real / AV Cinema								
0	PC Real Contrast	32					0 ~ 63	
1	PC Real Brightness	32					0 ~ 63	
2	PC Real Red	32					0 ~ 63	
3	PC Real Green	32					0 ~ 63	
4	PC Real Blue	32					0 ~ 63	
5	PC Real Gamma	8					0 ~ 15	
6	AV Cinema Contrast	32					0 ~ 63	
7	AV Cinema Brightness	32					0 ~ 63	
8	AV Cinema Color	32					0 ~ 63	
9	AV Cinema Tint	32					0 ~ 63	
10	AV Cinema Red	32					0 ~ 63	

Electrical Adjustments

No.	Adjustment Item	Initial Value	Range	Description
11	AV Cinema Green	32	0 ~ 63	
12	AV Cinema Blue	32	0 ~ 63	
13	AV Cinema Sharpness	15	0 ~ 31	
14	AV Cinema Gamma	8	0 ~ 15	
Group: 500 ADC				
0	ADC R-OFFSET	64	0 ~ 255	
1	ADC G-OFFSET	64	0 ~ 255	
2	ADC B-OFFSET	64	0 ~ 255	
3	ADC R-GAIN	254	0 ~ 255	
4	ADC G-GAIN	254	0 ~ 255	
5	ADC B-GAIN	254	0 ~ 255	
Group: 510 NTSC Gakaku				
0	NTSC TOTAL DOTS	2054	0 ~ 2047	
1	NTSC DISP DOTS	800	0 ~ 2047	
2	NTSC H BACK PORCH	180	0 ~ 2047	
3	NTSC V BACK PORCH	46	0 ~ 2047	
4	NTSC DISP LINE	456	0 ~ 2047	
5	NTSC CLAMP	4	0 ~ 2047	
Group: 511 PAL Gakaku				
0	PAL TOTAL DOTS	2102	0 ~ 2047	
1	PAL DISP DOTS	800	0 ~ 2047	
2	PAL H BACK PORCH	207	0 ~ 2047	
3	PAL V BACK PORCH	62	0 ~ 2047	
4	PAL DISP LINE	533	0 ~ 2047	
5	PAL CLAMP	4	0 ~ 2047	
Group: 512 HDTV 1080i-60 Gakaku				
0	TOTAL DOTS	942	0 ~ 2047	
1	DISP DOTS	800	0 ~ 2047	
2	H BACK PORCH	115	0 ~ 2047	
3	V BACK PORCH	52	0 ~ 2047	
4	DISP LINE	1048	0 ~ 2047	
5	CLAMP	5	0 ~ 2047	
Group: 513 HDTV 1080i-50 Gakaku				
0	TOTAL DOTS	1130	0 ~ 2047	
1	DISP DOTS	800	0 ~ 2047	
2	H BACK PORCH	113	0 ~ 2047	
3	V BACK PORCH	64	0 ~ 2047	
4	DISP LINE	1044	0 ~ 2047	
5	CLAMP	5	0 ~ 2047	
Group: 514 HDTV 1035i Gakaku				
0	TOTAL DOTS	942	0 ~ 2047	
1	DISP DOTS	800	0 ~ 2047	
2	H BACK PORCH	115	0 ~ 2047	
3	V BACK PORCH	90	0 ~ 2047	
4	DISP LINE	1006	0 ~ 2047	
5	CLAMP	5	0 ~ 2047	
Group: 515 HDTV 720p Gakaku				
0	TOTAL DOTS	1060	0 ~ 2047	
1	DISP DOTS	800	0 ~ 2047	
2	H BACK PORCH	206	0 ~ 2047	
3	V BACK PORCH	36	0 ~ 2047	
4	DISP LINE	698	0 ~ 2047	
5	CLAMP	5	0 ~ 2047	
Group: 516 HDTV 575p Gakaku				
0	TOTAL DOTS	1052	0 ~ 2047	
1	DISP DOTS	800	0 ~ 2047	
2	H BACK PORCH	188	0 ~ 2047	
3	V BACK PORCH	60	0 ~ 2047	
4	DISP LINE	524	0 ~ 2047	
5	CLAMP	0	0 ~ 2047	
Group: 517 HDTV 480p Gakaku				
0	TOTAL DOTS	1006	0 ~ 2047	
1	DISP DOTS	800	0 ~ 2047	
2	H BACK PORCH	167	0 ~ 2047	
3	V BACK PORCH	46	0 ~ 2047	
4	DISP LINE	451	0 ~ 2047	
5	CLAMP	0	0 ~ 2047	

Test Points and Locations

● MAIN BOARD



■ Troubleshooting

No Power

The possible causes of No Power are listed below. Please check following and refer to power supply and protection circuits diagram in the figure opposite.

1. Stop the operation of power supply circuit due to detection of abnormality.

- Detected the abnormality on the secondary power supply lines.
Power failure detection diodes detect an abnormal voltage on the power supply. Check the shortage of secondary circuits, ICs, condensers, etc.
- Detected the operation stop of cooling fans.
Power failure detection diodes detect the fan operation stop. Check Fans FN901, FN902, FN903, FN904, FN905 and FN906
Check fan's power supply lines and detection diodes and transistors D69A, D69B, D69C and Q69A
- Detected the abnormal temperature rise inside the projector.
Temperature sensor ICs detect abnormal temperature. Check peripheral circuits and sensor ICs IC4881 and IC2881.
Thermal switch (TSW611) detects abnormal temperature. Check peripheral circuits and TSW611.
TSW611..... open in normal
TSW611 shorts when the peripheral temperature is over 90°C.
Thermal switch (SW902) detects abnormal temperature. Check peripheral circuits and SW902.
SW902..... short in normal
SW902 opens when peripheral temperature is over 100°C.
- Detected the abnormality on the lamp ballast unit.
The lamp ballast unit outputs error signal (LAMP_ERR) to pin 47 of IC801.
LAMP_ERR High in abnormal
- Detected the over load/over voltage on power supply circuit.
Feedback circuits detect over load or over voltages. Check PC641, PC642 and peripheral circuits.
- Operated the mechanical protect on the Interlock switch (SW904). Check lamp cover fixed correctly.
- Fuse (F601) open.

2. Abnormality occurs on drive signals for power or lamp circuit.

- Abnormality on power starter signals (POWER, 5V_SW).
POWER signal is output from pin 1 of IC801 and sent to pin 17 of IC1881, and output from pin 3 by the name of 5V_SW signal. 5V_SW signal drives 15.5V and 9VMCI power supply circuits on the power board.
POWER/5V_SW High in power on
Check POWER and 5V_SW signals, 9V regulator circuit Q65A, Q65B, Q65C, IC65A and peripheral circuit, 15.5V switch circuit Q661, Q662 and peripheral circuit on the Power Board.

- Abnormality on lamp ballast drive signal (BALLAST_AC).
BALLAST_AC signal is output from pin 39 of IC801 and sent to pin 11 of IC1881, and output from pin 9 by the name of BALLAST_AC1 signal. BALLAST_SW1 signal drives the lamp ballast unit.
Check BALLAST_AC and BALLAST_AC1 signals and lamp ballast unit.
- Abnormality on fan drive signal (FAN DRIVE).
FAN DRIVE signal is output from pin 41 of IC801 and sent to pin 15 of IC1881, and output from pin 5 by the name of FAN_DRIVE1 signal. FAN_DRIVE1 signal drives fan supply voltages (12V/12V1) on the power board.
FAN_DRIVE/
FAN_DRIVE1 High in power on
Check FAN_DRIVE/FAN_DRIVE1 signals, 12V regulator circuits IC681, Q681, Q682, Q66A, IC671, Q671, Q672 and peripheral circuits.
- Abnormality on power drive signal (LAMP_BST_SW).
LAMP_BST_SW signal is output from pin 82 of IC801 and sent to pin 2 of IC1871, and output from pin 18 by the name of LAMP_BST_SW1 signal. LAMP_BST_SW1 signal drives the power factor control IC on the P.F. board through the Power board.
LAMP_BST_SW/
LAMP_BST_SW1 High in power on
Check LAMP_BST_SW and LAMP_BST_SW1 signal, photo-coupler PC643, transistors Q651, Q641 and peripheral circuits.

3. Abnormality occurs on the power circuit.

- Abnormality on power primary circuit
Check Line filters, L601, L602, D614, L611, IC631, D632, etc.
- Abnormality on power secondary circuit
Check D651, D652, D653, IC651, etc.

No Picture

The possible causes of No Picture are listed below. Please check following and refer to video signal processing diagrams in the figure opposite.

1. No picture from Video source

Composite Video Input

Check composite video signal at pins 45 and 46 of K10U on AV Board and K3U on Main Board.

Check Y, C signals at pins 7 and 9 of IC2101.

Check Y, C signals at pins 5 and 7 of IC1101

S-Video Input

Check S-video signals at pins 39, 40 (Y), 41, 42 (C) of K10U and K3U.

Check Y, C signals at test points TP11SC and TP11SY.

Check Y, C signals at pins 43 and 44 of IC1101.

Component Input

Check component signals at pins 49, 50(Pb), 51, 52 (Pr) of K10U and K3U.

Check component signals (Y, Pr, Pb) at test points TP11CV, TP11PB and TP11PR.

All of video signals

Check component signals (Y, Cr, Cb) at pins 21, 22 and 23 of IC1101.

Check component signals (Y, Cr, Cb) at pins 67, 68 and 69 of IC4101.

Check component signals (Y, Pr, Pb) at pins 73, 74 and 75 of IC4101.

Check Sync signals (AV_HSYNC, AV_VSYNC) at pins 4 and 9 of IC1101.

Check Sync signals (AV_HSYNC, AV_VSYNC) at pins 65 and 66 of IC4101.

Check RGB signals at pin 35, 37 and 39 of IC4101.

Check RGB signals at pins 14, 4 and 15 of IC3101.

Check blanking signal at pin 9, 10, 11 of IC3101.

Check RGB signals at pins 1, 3 and 5 of IC5241.

Check Sync signals (AV_HSYNC, AV_VSYNC) at pins 2 and 12 of IC6261.

Check AV/PC switching signal at pin 22 of IC5241 and pins 10 and 11 of IC6261.

AV : Low, PC : High

2. No picture from Computer source

Check RGB signals at pins 3-4, 7-8 and 11-12 of K10T on AV Board and K3T on Main Board.

Check Sync signals (PC_HSYNC, PC_VSYNC) at pins 15-16 and 19-20) of K10T on AV Board and K3T on Main Board.

Check RGB signals at pins 12, 10 and 8 of IC5241.

Check Sync signals at pins 1 and 13 of IC6261.

Check AV/PC switching signal at pin 22 of IC5241 and pins 10 and 11 of IC6261.

AV : Low, PC : High

3. No picture from both of Video and Computer sources.

Check RGB signals at test points TP52R, TP52G and TP52B.

Check RGB signals at test points TP201R, TP5201G and TP201B.

Check HSYNC signal at test point TP205.

Check Sync signals at test points at TP62H and TP62V.

4. No picture from all of sources

Check RGB S&H signals at test points TP25B1, TP25B2, TP25G1, TP25G2, TP25R1 and TP25R2.

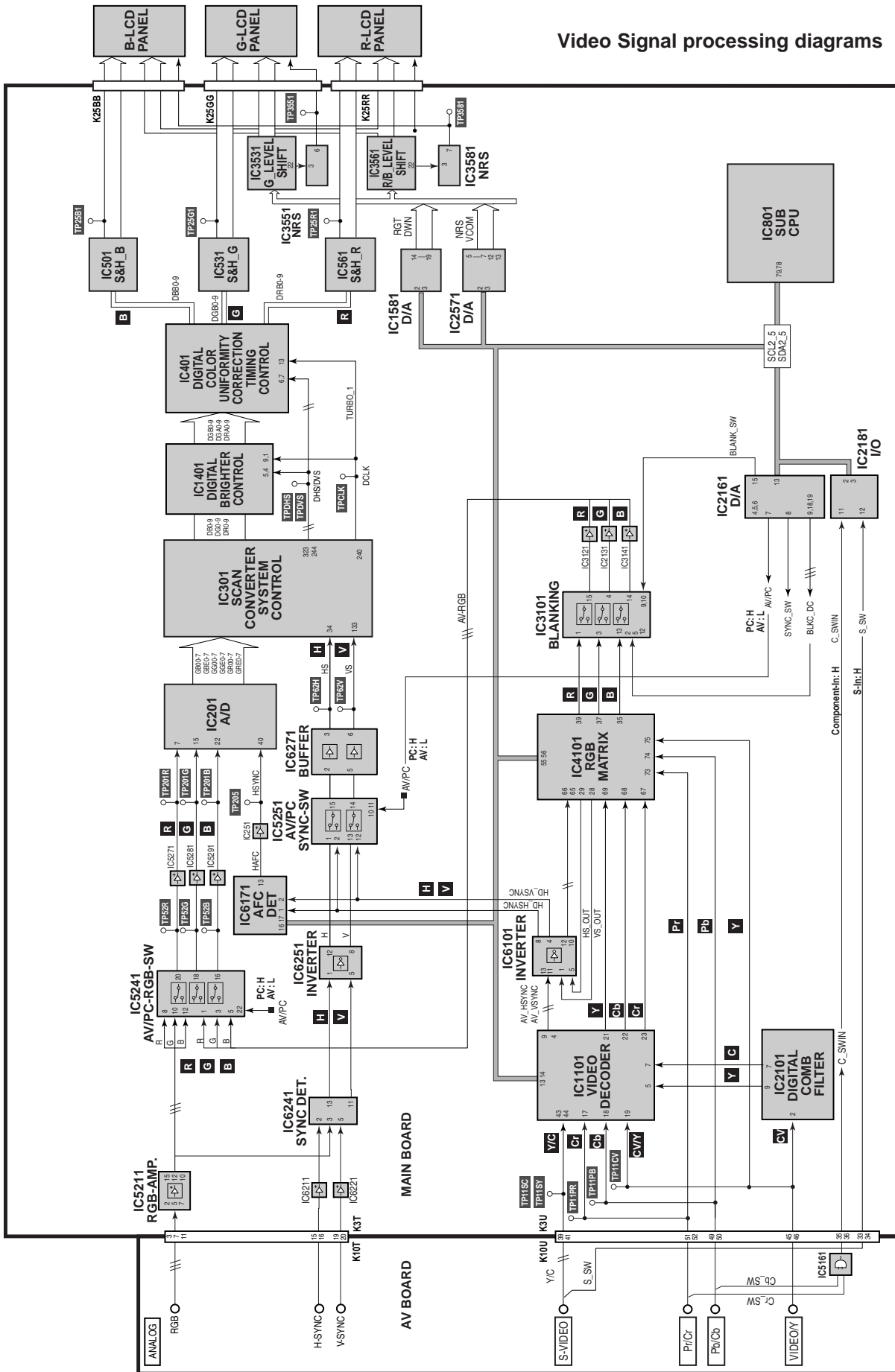
Check NRS signals at test points TP3551 and TP3581.

Check power supply circuit 15.5V and 15VL and peripheral circuit.

Check ICs IC501, IC531, IC561, IC3531, IC3561, IC801, IC301, IC401and peripheral circuits.

SIGNAL	K10T/K3T	SIGNAL	K10U/K3U
V-Sync	19-20	Video	45-46
H-Sync	15-16	S-C	41-42
B	11-12	S-Y	39-40
G	7-8	PB	49-50
R	3-4	PR	51-52

Video Signal processing diagrams



No Sound

1. No audio signals at AV input circuit.

Check audio signals at pins 14 and 15 of IC5011 on AV Board. Check IC5011 and peripheral circuits.

2. Incorrect operation of VIDEO/COMPUTER mode switching.

Check AV/PC switching signal at pins 10 and 11 of IC5011. Check IC5011, IC801 and switching signal.

AV : Low, PC : High

3. No audio output signal at speaker.

Check audio signal at pins 1 and 3 of K8F on Main Board.

Check MUTE signal at pin 4 of IC031.

Mute On : High

Check MUTE signal at pin 7 of IC1831, pins 7 and 13 of IC1881, and peripheral circuit.

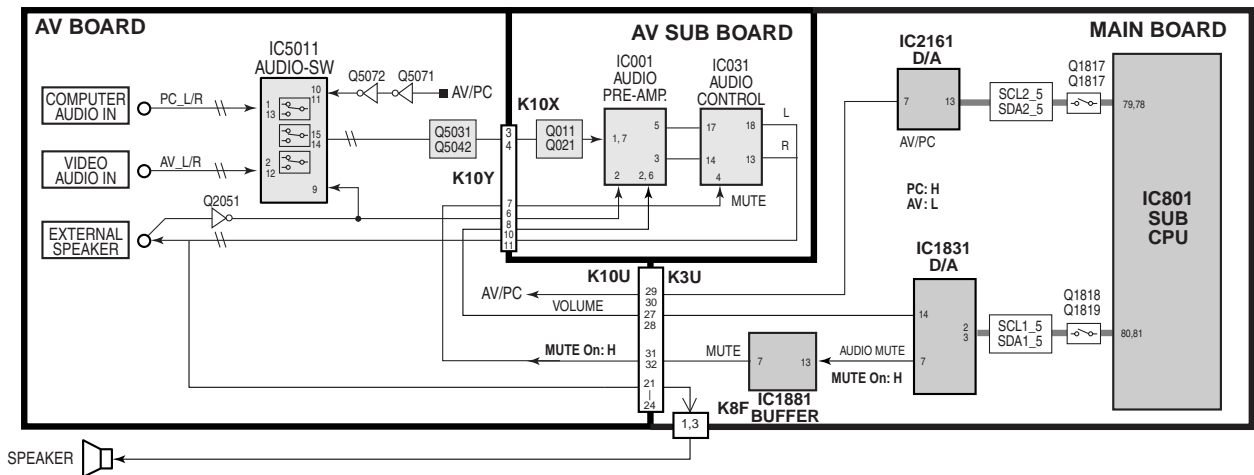
Mute On : High

Check sound volume signal at pins 27, 28 of K10U, and pin 14 of IC1831. Check IC IC001, IC031 and peripheral circuit.

Volume Min.: Low

4. No power supply at audio circuit.

Check 6V(6V AUDIO) power supply line.



Lens Motor Problems

1. No drive signals supplied at motors

Check drive signals at pins 1 to 4 of K6U on Power Board. Check ICs IC5501, IC5551 and peripheral circuits. Check motor drive power supply (9VMCI).

2. No drive signals supplied at motor drive ICs.

Check drive signals at pins 3-4 (ZOOM), 5-6 (FOCUS) of K6S. Check IC801.

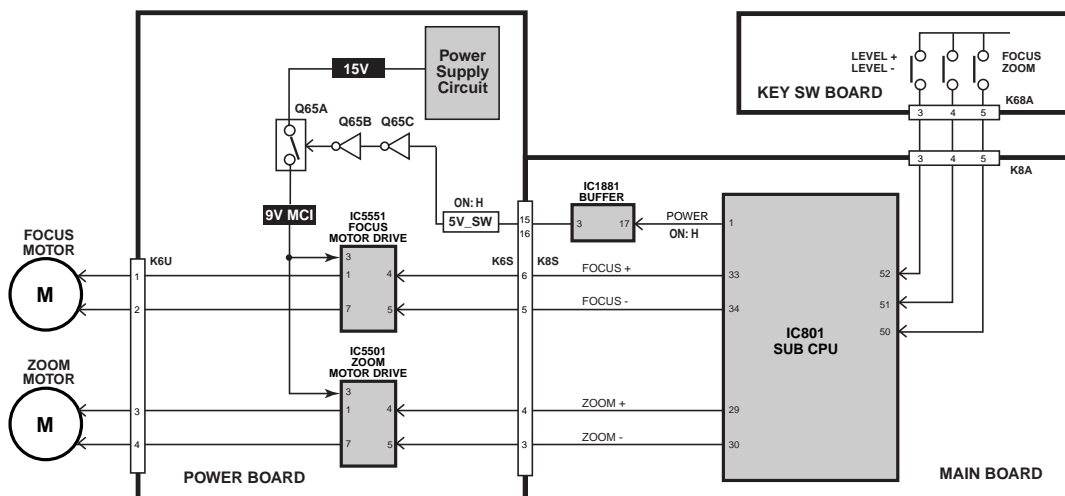
3. No drive signals output from CPU.

Check drive signals at pins 29,30, 33, 34 of IC801(SUB CPU). Check IC801.

4. No key switch signals input to CPU.

Check signals at pins 50 to 52 of IC801 when pressing the key buttons. Check key buttons.

Logic Table of IC5501/IC5551				Operation
Input		Output		
4	5	7	1	Forward drive
H	L	L	H	
L	H	H	L	
L	L	L	L	
H	H	L	L	Reverse drive
H	L	L	L	Braking
L	L	-	-	Stand by



Control Port Functions

System Control & I/O Port Table (IC801)

Pin No.	Name	Function Name	Function	I/O	Action
1	PE5/D5	POWER_SW	Power_SW	O	H: On
2	PE6/D6	SYS SW	Peripheral IC power supply SW	O	L: on
3	PE7/D7	LAMP_SW	Lamp LED	O	H: On
4	PD0/D8	DATA0	Data Bus 0	I/O	-
5	PD1/D9	DATA1	Data Bus 1	I/O	-
6	PD2/D10	DATA2	Data Bus 2	I/O	-
7	PD3/D11	DATA3	Data Bus 3	I/O	-
8	PD4/D12	DATA4	Data Bus 4	I/O	-
9	PD5/D13	DATA5	Data Bus 5	I/O	-
10	PD6/D14	DATA6	Data Bus 6	I/O	-
11	PD7/D15	DATA7	Data Bus 7	I/O	-
12	CVCC	CVCC	Power supply	-	-
13	PC0/A0	ADDRESS0	Address Bus 0	O	-
14	VSS	VSS	Vss	-	-
15	PC1/A1	ADDRESS1	Address Bus 1	O	-
16	PC2/A2	ADDRESS2	Address Bus 2	O	-
17	PC3/A3	ADDRESS3	Address Bus 3	O	-
18	PC4/A4	ADDRESS4	Address Bus 4	O	-
19	PC5/A5	ADDRESS5	Address Bus 5	O	-
20	PC6/A6	ADDRESS6	Address Bus 6	O	-
21	PC7/A7	ADDRESS7	Address Bus 7	O	-
22	PB0/A8/TIOCA3	ADDRESS8	Address Bus 8	O	-
23	PB1/A9/TIOCB3	ADDRESS9	Address Bus 9	O	-
24	PB2/A10/TIOCC3	ADDRESS10	Address Bus 10	O	-
25	PB3/A11/TIOCD3	ADDRESS11	Address Bus 11	O	-
26	PB4/A12/TIOCA4	ADDRESS12	Address Bus 12	O	-
27	PB5/A13/TIOCB4	ADDRESS13	Address Bus 13	O	-
28	PB6/A14/TIOCA5	ADDRESS14	Address Bus 14	O	-
29	PB7/A15/TIOCB5	ZOOM +	Zoom +	O	L: Zoom +
30	PA0/A16	ZOOM -	Zoom -	O	L: Zoom -
31	PA1/A17/TxD2	Tx	RS232C TxD	O	L: active
32	PA2/A18/RxD2	Rx	RS232C RxD	I	L: active
33	PA3/A19/SCK2	FOCUS +	Focus +	O	L: Focus +
34	P10/TIOCA0/A20	FOCUS -	Focus -	O	L: Focus -
35	P11/TIOCB0/A21	R/C	Remote control signal input	I	L: active
36	P12/TIOCC0/TCLKA/A22	USB_RESET	USB Reset signal output	O	L: active
37	P13/TIOCD0/TCLKB/A23	USB_BRST	USB_BRST	O	L: On"
38	P14/TIOCA1/IRQ0	SCLK	Serial clock output	O	H: active
39	P15/TIOCB1/TCLKC	BLAST_AC	Lamp Ballast control signal	O	H: on
40	P16/TIOCA2/IRQ1	TXD_SW	TXD_SW	O	H: PW-Main CPU
41	P17/TIOCB2/TCLKD	FAN ON/OFF	Fan Drive output	O	H: on
42	AVSS	Avss	A/D ground	-	-
43	P97/DA1	PIXEL WRITE	PIXEL write	I	L: PW write
44	P96/DA0	TEMP_DET	TEMP DET	I	L: Temperature abnormal
45	P47/AN7	OPT2	Option input	I	L: XGA H: SVGA
46	P46/AN6		Not used	I	
47	P45/AN5	LAMP_ERR	Lamp Error	I	H: Lamp not lit
48	P44/AN4	POWER_FAIL	Power Fail (Abnormal less than 2V)	I	Abnormal less that 1V
49	P43/AN3	OPT1	Destination option	I	
50	P42/AN2	KEY3	Key Input3 (A/D Input)	I	
51	P41/AN1	KEY2	Key Input2 (A/D Input)	I	
52	P40/AN0	KEY1	Key Input1 (A/D Input)	I	
53	Vref	Vref	Reference voltage for analog	-	-
54	AVCC	AVCC	A/D power supply	-	-
55	MD0	MD0	Operation mode control 0	I	Fixed L
56	MD1	MD1	Operation mode control 1	I	Fixed H
57	OSC2	OSC2	Sub-clock output (Not used)	O	open
58	OSC1	OSC1	Sub-clock output (Not used)	I	Connected to GND
59	RES	RESET	Reset input	I	Reset L to H
60	NMI	NMI	Non-maskable input (not used)	I	Fixed H
61	STBY	STBY	Stand-by	I	-
62	VCC	VCC	Vcc	-	-
63	XTAL	XTAL	Oscillator input	I	-
64	VSS	VSS	GND	-	-
65	EXTAL	EXTAL	Oscillator output	O	-
66	FWE	FEW	Write enable input for Flash ROM	I	H: Enable

Control Port Functions

Pin No.	Name	Function Name	Function	I/O	Action
67	MD2	MD2	Operation mode control 2	I	Fixed H
68	PF7/ϕ	ϕ	ϕ output	O	-
69	PF6/AS	AS	AS output	O	-
70	PF5/RD	RD	Read signal	O	Control for SRAM
71	PF4/HWR	HWR	Write signal (upper 8 bit)	O	Control for SRAM
72	PF3/LWR/ADTRG/IRQ3	IRO_CS	Color uniformity correction (E7050) Chip Select	O	L: active
73	PF2/WAIT	TURBO_CS	Turbo gate array Chip Select	O	H: active
74	PF1/BACK/BUZZ	SDA 4	IIC Bus 4 SDA	I/O	L: active
75	PF0/BREQ/IRQ2	FLASH_MODE	FWE control	O	
76	P30/TxD0	PW_TX	PW365 TxD	O	L: active
77	P31/RxD0	PW_RX	PW365 RxD	I	L: active
78	P32/SCK0/SDA1/IRQ4	SDA 2	IIC Bus 2 SDA	I/O	L: active
79	P33/TxD1/SCL1	SCL 2	IIC Bus 2 SCL	O	L: active
80	P34/RxD1/SDA0	SDA 1	IIC Bus 1 SDA (EEPROM,DAC-1)	I/O	L: active
81	P35/SCK1/SCL0/IRQ5	SCL 1	IIC Bus 1 SCL (EEPROM,DAC-1)	O	L: active
82	P36	BLAST_SW	Lamp ballast 400VON/OFF	O	H: on
83	P77/TXD3	MCI_TX	Viewer TxD	O	L: active
84	P76/RXD3	MCI_RX	Viewer RxD	I	L: active
85	P75/TMO3/SCK3	SCL 4	IIC Bus 4 SCL	O	L: active
86	P74/TMO2/MRES	M-RESET	Manual reset	I	L: reset
87	P73/TMO1/CS7	PW_IN0	PW365 data input 0	I	
88	P72/TMO0/CS6	PW_IN1	PW365 data input 1	I	
89	P71/TMRI23/TMCI23/CS5	OPT_ECO	Eco Mode Option	I	
90	P70/TMRI01/TMCI01/CS4	OPT_DVI	DVI Option	I	
91	PG0/IRQ6	SDATA	Serial data output	O	L: active
92	PG1/CS3/IRQ7	USB_INTR	USB interrupt signal input	I	L active
93	PG2/CS2	CS 2	SRAM Chip Select	O	L: active
94	PG3/CS1	CS 1	USB Chip Select	O	L: active
95	PG4/CS0	CS 0	Not used	O	Fixed L
96	PE0/D0	SDA 3	IIC Bus 3 SDA	I/O	L: active
97	PE1/D1	SCL 3	IIC Bus 3 SCL	O	L: active
98	PE2/D2	PW_OUT0	PW365 Data output 0	O	
99	PE3/D3	PW_OUT1	PW365 Data output 1	O	
100	PE4/D4	PW_RESET	PW365 Reset output	O	Reset L -> H -> L

● IIC Bus I/O Expander (IC1851) Port Functions

Pin No.	Name	Function	Action	I/O
1	S	Reset	Open	-
2	SCL	IIC SCL	Active "L"	-
3	SDA	IIC SDA	Active "L"	-
4	D0	CARD_IN	L: CARD H: No CARD	IN
5	D1	VIEWER_ON	L: VIEWER Unit exist	IN
6	D2	SCDT1	DVI Sync. detection H: DVI	IN
7	D3	TURBO_LED	H: on L: off	OUT
8	VSS	GND	-	-
9	D4	WARNING_LED	H: on L: off	OUT
10	D5	LAMPREP_LED	H: on L: off	OUT
11	D6	READY_LED	H: on L: off	OUT
12	D7	Not used	Fixed "L"	OUT
13	VDD	5 V	Vcc	-
14	CS2	Chip Select 2	Fixed "L"	-
15	CS1	Chip Select 1	Fixed "L"	-
16	CS0	Chip Select 0	Fixed "H"	-

● IIC Bus I/O Expander (IC2181) Port Functions

Pin No.	Name	Function	Action	I/O
1	S	Reset	Open	-
2	SCL	IIC SCL	Active "L"	-
3	SDA	IIC SDA	Active "L"	-
4	D0	MOD 2	Composite NTSC4.43, PAL60: H else: L	OUT
5	D1	MOD 1	Fixed "L"	OUT
6	D2	PNR	NTSC, NTSC4.43: L else: H	OUT
7	D3	NTPL 2	PAL-M, PAL-N: H else: L	OUT
8	VSS	GND	-	-
9	D4	NTPL 1	PAL, PAL-N: H else: L IN	-
10	D5	4.43 TRAP	Composite SECAM, NTSC4.43, PAL60: L, else: H	OUT
11	D6	C -SWIN	Component signal detection (L: Component)	IN
12	D7	S -SW	S signal detection (L: S-Input)	IN
13	VDD	5 V	Vcc(5V)	-
14	CS2	Chip Select 2	Fixed "L"	-
15	CS1	Chip Select 1	Fixed "L"	-
16	CS0	Chip Select 0	Fixed "L"	-

● IIC Bus DA Converter (IC1831) Port Functions

Pin No.	Name	Function	Action
1	R	Reset	Fixed "H"
2	SCL	IIC SCL	Active "L"
3	SDA	IIC SDA	Active "L"
4	AO7	FAN_CONT_1	0xFFh:Min 0x00h:Max
5	AO8	FAN_CONT_2	0xFFh:Min 0x00h:Max
6	AO9	EDIDEN	L: H8 side H: PC side
7	AO10	AUDIOMUTE	L: Mute Off H: Mute On
8	AO11	PWRDNO	AD Power down (L:DVI/MCI H:PC)
9	AO12	DCOM_OFF	Digital Comb Filter Usage L: at composite SECAM, NTSC4.43, PAL60
10	VrefL		D/A converter lower ref. voltage Connect to GND
11	VrefU1		D/A converter upper ref. voltage (CH7~CH12) Vcc
12	GND	GND	GND
13	VrefU2		D/A converter upper ref. voltage (CH1~CH6) Vcc
14	AO1	VOL_CNT	Control sound output volume, L: minimum
15	AO2	CG1_CG2	L: CG1, H: CG2
16	AO3	MOUSE	Air mouse On/Off H: On L: Off
17	AO4	MOUSE_RESET	Air mouse CPU reset Reset start: H->L->H
18	AO5	TURBO +	Turbo motor control (+) L: On
19	AO6	TURBO -	Turbo motor control (-) L: On
20	Vcc	Digital power supply	
21	Vdd	Analog power supply	
22	CS2	Chip Select 2	Fixed "H"
23	CS1	Chip Select 1	Fixed "H"
24	CS0	Chip Select 0	Fixed "L"

● IIC Bus DA Converter (IC2161) Port Functions

Pin No.	Name	Function	Action
1	R	Reset	Fixed "H"
2	SCL	IIC SCL	Active "L"
3	SDA	IIC SDA	Active "L"
4	AO7	RCLP	R Signal clamp reference voltage
5	AO8	GCLP	G Signal clamp reference voltage
6	AO9	BCLP	B Signal clamp reference voltage
7	AO10	AV/PC	AV/PC switch (L: AV H: PC)
8	AO11	SYNC_SW	Fixed "H"
9	AO12	G_BLK_DC	Video G signal pedestal voltage
10	VrefL		D/A converter lower ref. voltage Connected to GND
11	VrefU1		D/A converter upper ref. voltage (CH7~CH12) Vcc(5V)
12	GND	GND	GND
13	VrefU2		D/A converter upper ref. voltage(CH1~CH6) Vcc(5V)
14	AO1	SCP_SW	Sandcastle pulse SW Video/S-Video/480i/575i: L else: H
15	AO2	BLANK_SW	H Blank width SW 1080i/1035i/720p/480p/575p: H else: L
16	AO3	MACRO	H: PC, AV(1080i50Hz) L: AV
17	AO4	CBAL_SW	Color uniformity correction SW
18	AO5	B_BLK_DC	Video B signal pedestal voltage
19	AO6	R_BLK_DC	Video R signal pedestal voltage
20	Vcc	Digital power supply	Vcc(5V)
21	Vdd	Analog power supply	Vcc(5V)
22	CS2	Chip Select 2	Fixed "L"
23	CS1	Chip Select 1	Fixed "H"
24	CS0	Chip Select 0	Fixed "H"

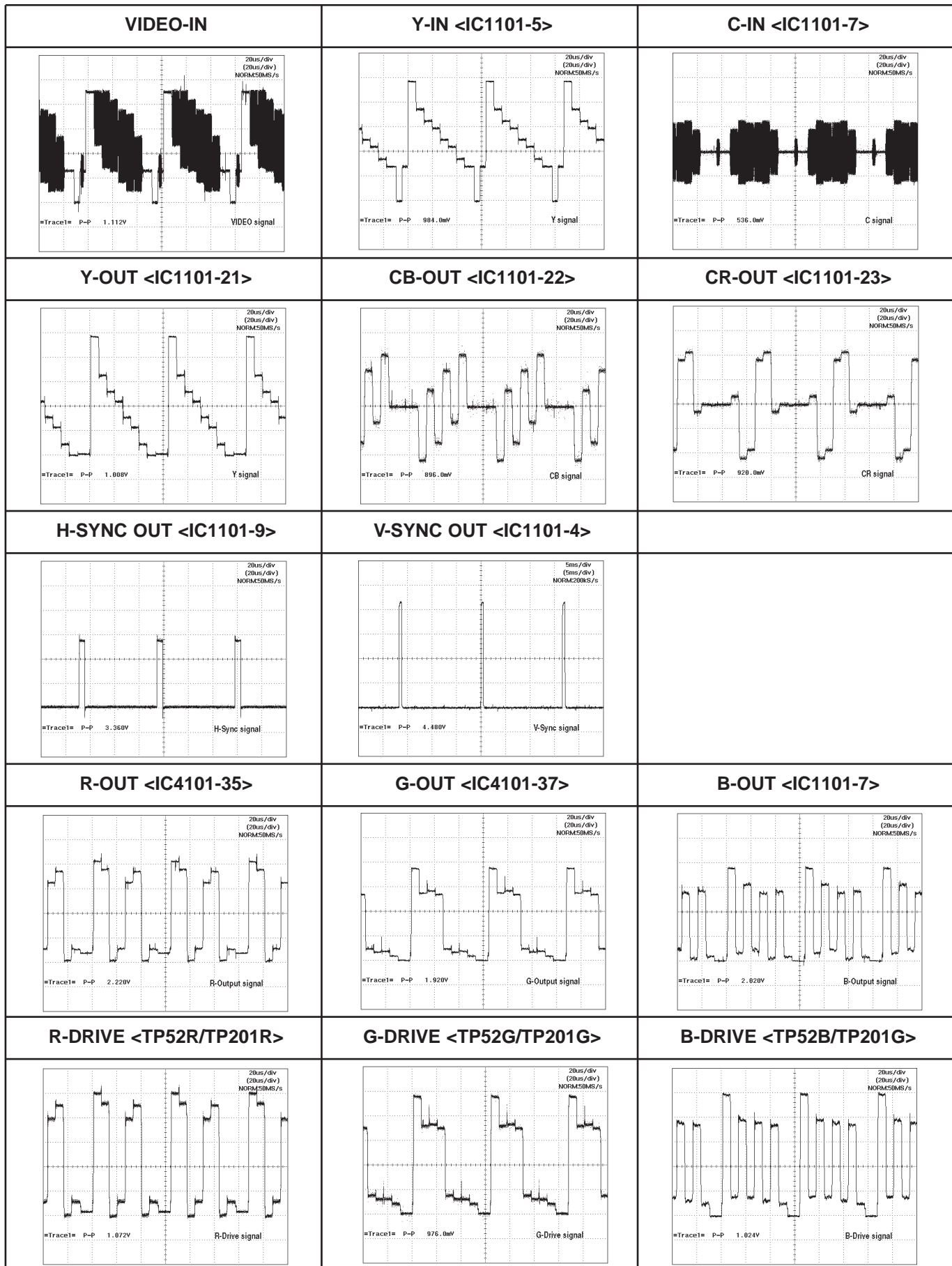
● IIC Bus DA Converter (IC1581) Port Functions

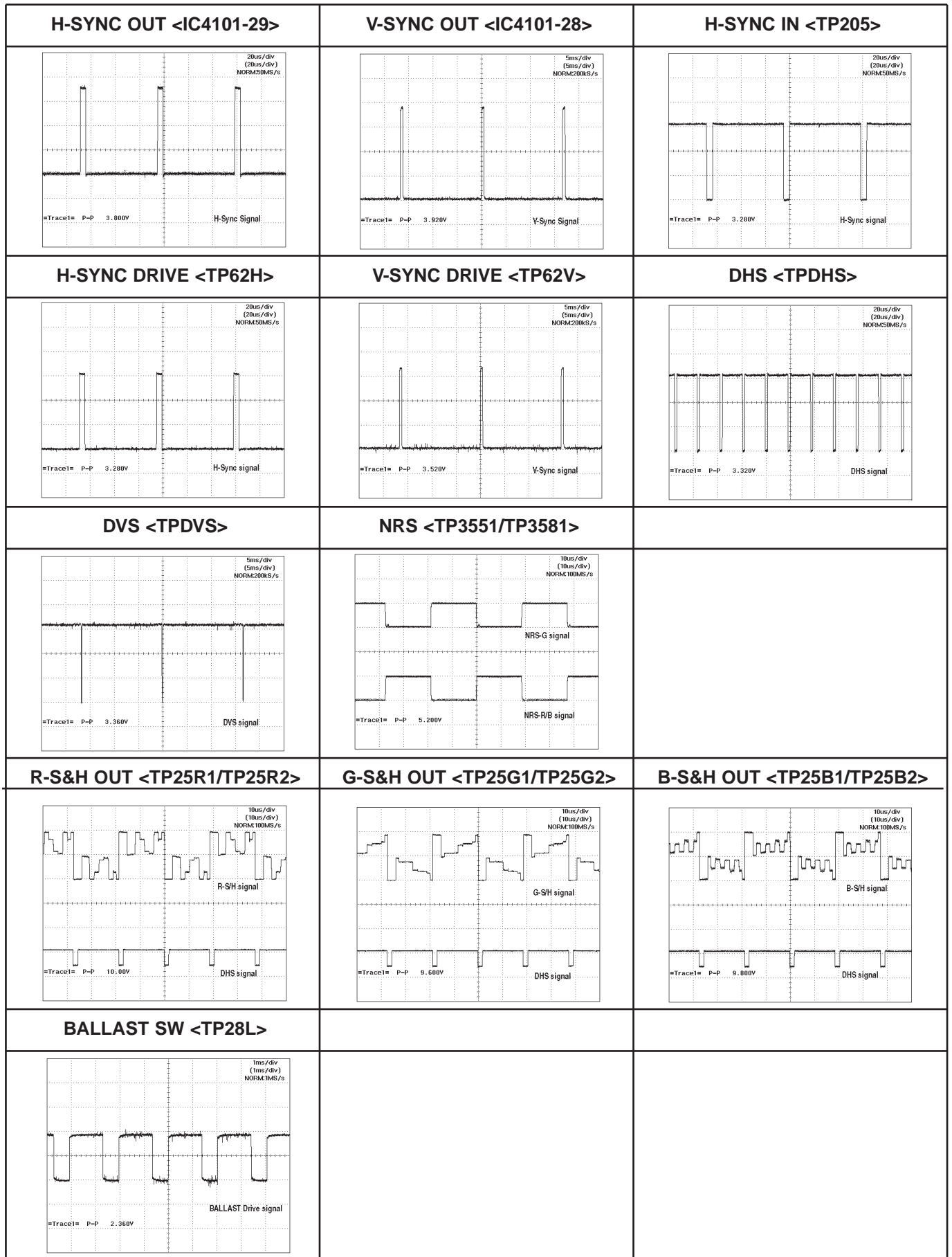
Pin No.	Name	Function	Action
1	R	Reset	Fixed "H"
2	SCL	IIC SCL	Active "L"
3	SDA	IIC SDA	Active "L"
4	AO7	REF_B	D/A reference voltage
5	AO8	REF_G	D/A reference voltage
6	AO9	REF_R	D/A reference voltage
7	AO10	Not used	0V fixed
8	AO11	Not used	0V fixed
9	AO12	Not used	0V fixed
10	VrefL		D/A converter lower ref. voltage Connected to GND
11	VrefU1		D/A converter upper ref. voltage (CH7~CH12) Vcc(5V)
12	GND	GND	GND
13	VrefU2		D/A converter upper ref. voltage (CH1~CH6) Vcc(5V)
14	AO1	B-CENT	Video center voltage
15	AO2	G-CENT	Video center voltage
16	AO3	R-CENT	Video center voltage
17	AO4	DWN	Panel control signal
18	AO5	RGT	Panel control signal
19	AO6	XRGT	Panel control signal
20	Vcc	Digital power supply	Vcc(5V)
21	Vdd	Analog power supply	Vcc(5V)
22	CS2	Chip Select 2	Fixed "L"
23	CS1	Chip Select 1	Fixed "L"
24	CS0	Chip Select 0	Fixed "L"

● IIC Bus DA Converter (IC2571) Port Functions

Pin No.	Name	Function	Action
1	R	Reset	Fixed "H"
2	SCL	IIC SCL	Active "L"
3	SDA	IIC SDA	Active "L"
4	AO5	Not used	
5	AO6	VCOMR	
6	AO7	VCOMG	
7	AO8	VCOMB	
8	VrefL		D/A converter lower ref. voltage Connected to GND
9	VrefU1		D/A converter upper ref. voltage (CH5~CH8) Connected to Vcc
10	GND	GND	GND
11	VrefU2		D/A converter upper ref. voltage (CH1~CH4) Connected to Vcc
12	AO1	NRSB	
13	AO2	NRSA	
14	AO3	Not used	
15	AO4	Not used	
16	Vcc	5V	Vcc(5V)
17	Vdd	5V	Vdd(5V)
18	CS2	Chip Select 2	Fixed "L"
19	CS1	Chip Select 1	Fixed "L"
20	CS0	Chip Select 0	Fixed "H"

Waveforms





■ Cleaning

After long periods of use, dust and other particles will accumulate on the LCD panel, prism, mirror, polarized glass, lens, etc., causing the picture to darken or color to blur. If this occurs, clean the inside of optical unit.

Remove dust and other particles using air spray. If dirt cannot be removed by air spray, disassemble and clean the optical unit.

Cleaning with air spray

1. Remove the cabinet top following to “Mechanical Disassemblies”.
2. Clean up the LCD panel and polarizing plate by using the air spray from the cabinet top opening.

Caution:

Use a commercial (inert gas) air spray designed for cleaning camera and computer equipment. Use a resin-based nozzle only. Be very careful not to damage optical parts with the nozzle tip. Never use any kind of cleanser on the unit. Also, never use abrasive materials on the unit as this may cause irreparable damage.

Disassembly Cleaning

Disassembly cleaning method should only be performed when the unit is considerably dirty and cannot be sufficiently cleaned by air spraying alone.

Be sure to readjust the optical system after performing disassembly cleaning.

1. Remove the cabinet top and main units following to “Mechanical Disassemblies”.
2. Remove the optical base top following to “Optical Unit Disassemblies”. If the LCD panel needs cleaning, remove the LCD panel unit following to “LCD panel replacement”.
3. Clean the optical parts with a soft cloth. Clean extremely dirty areas using a cloth moistened with alcohol.

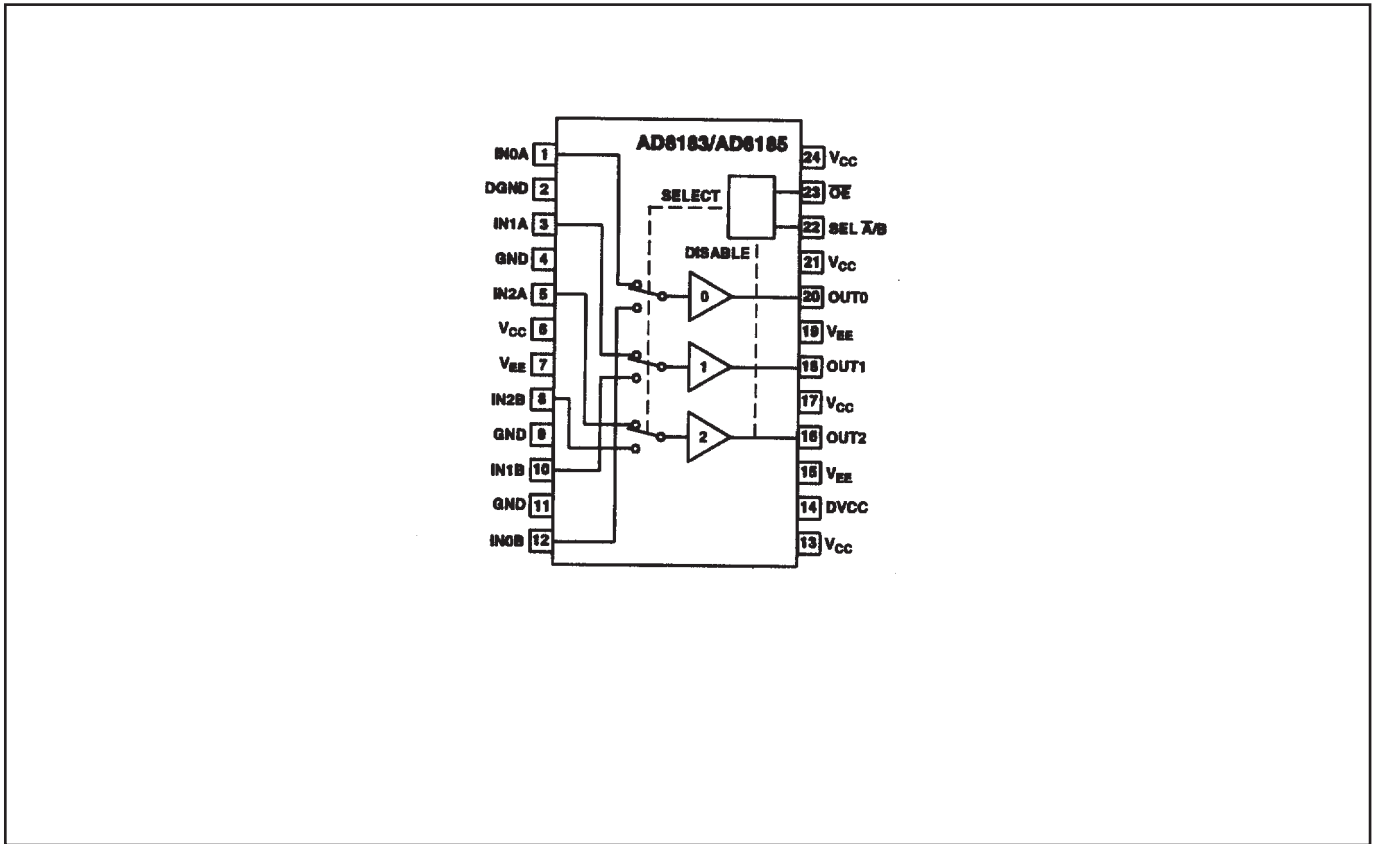
Caution:

The surface of the optical components consists of multiple dielectric layers with varying degrees of refraction. Never use organic solvents (thinner, etc.) or any kind of cleanser on these components.

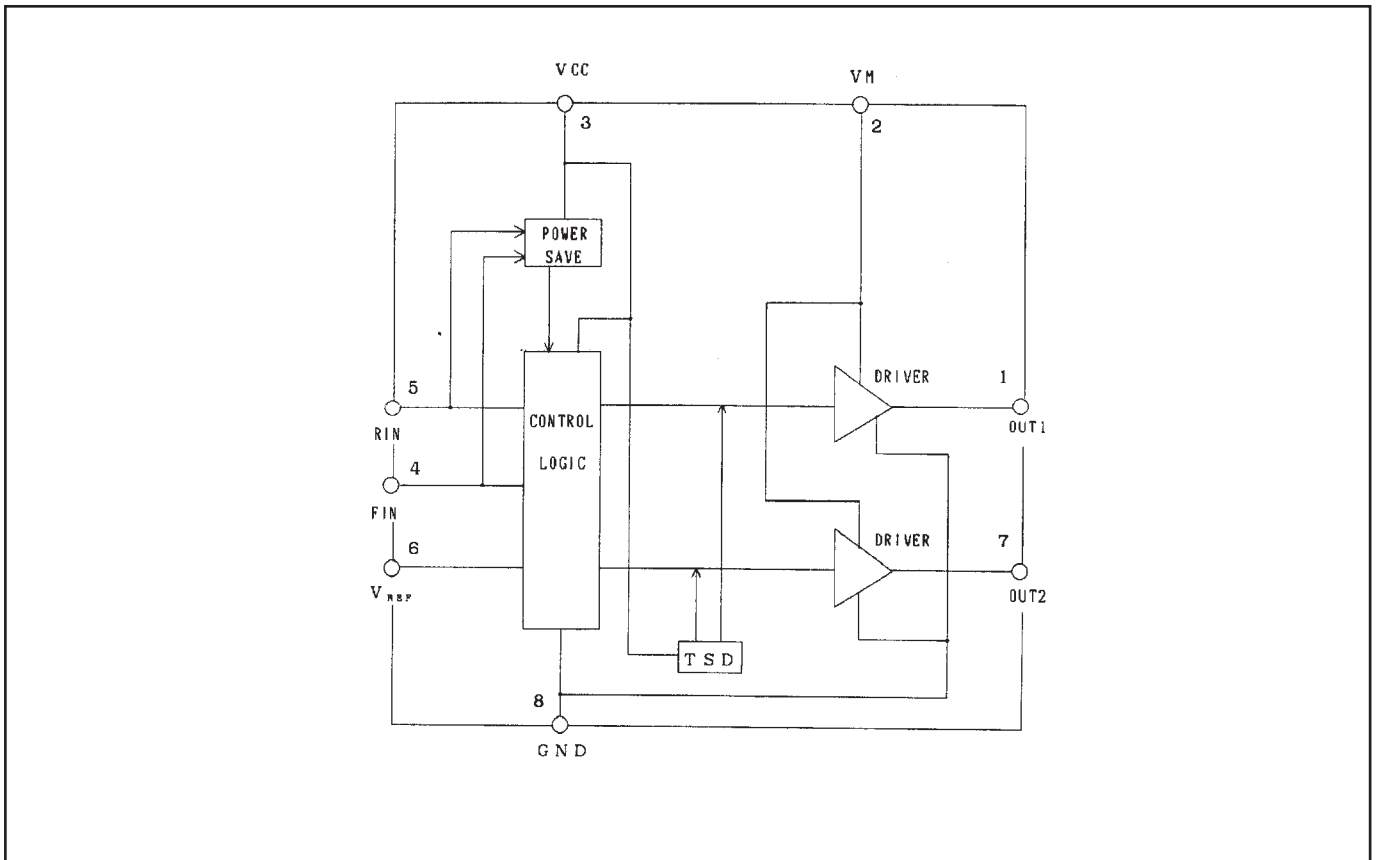
Since the LCD panel is equipped with an electronic circuit, never use any liquids (water, etc.) to clean the unit. Use of liquid may cause the unit to malfunction.

■ IC Block Diagrams

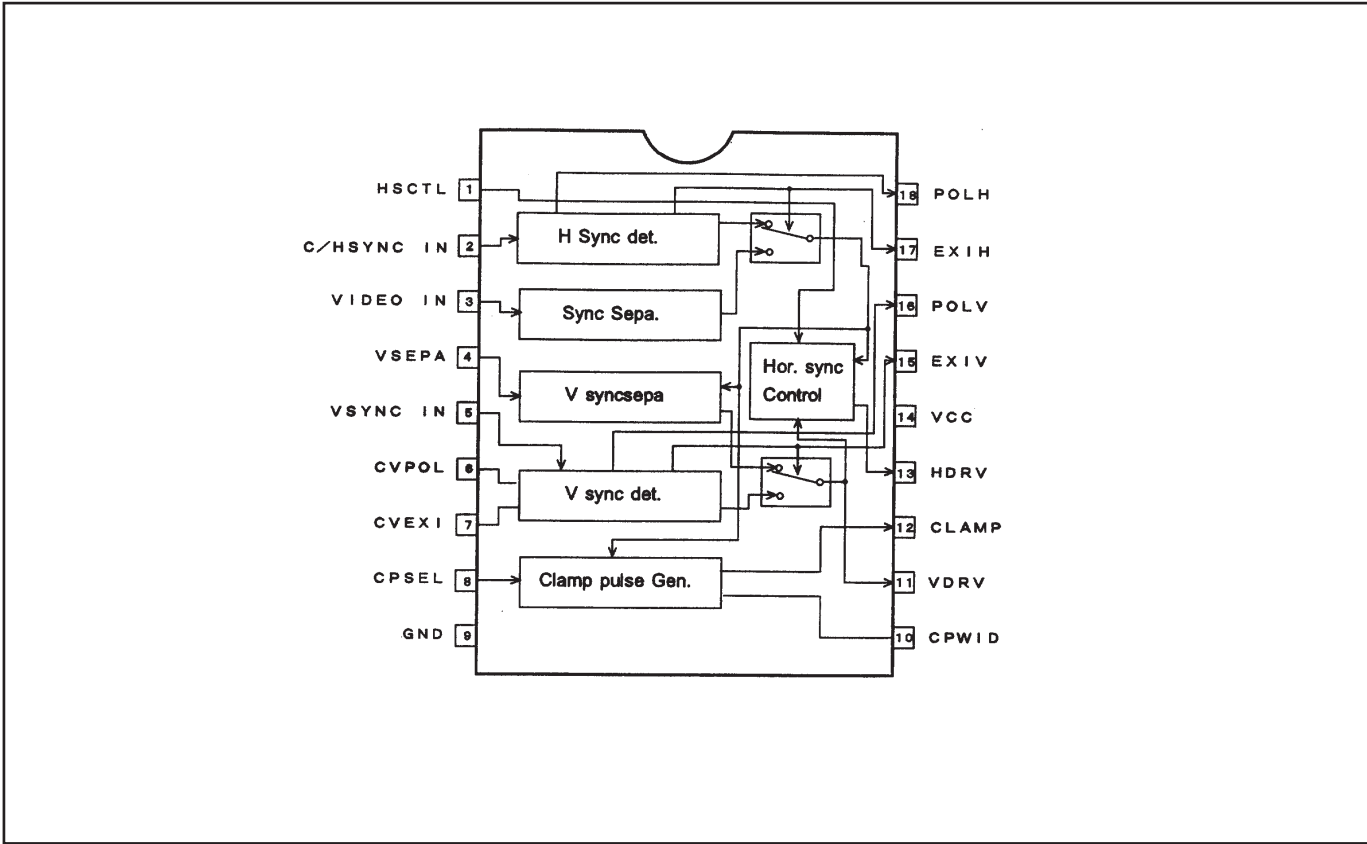
● AD8183ARU <Selector, IC5241>



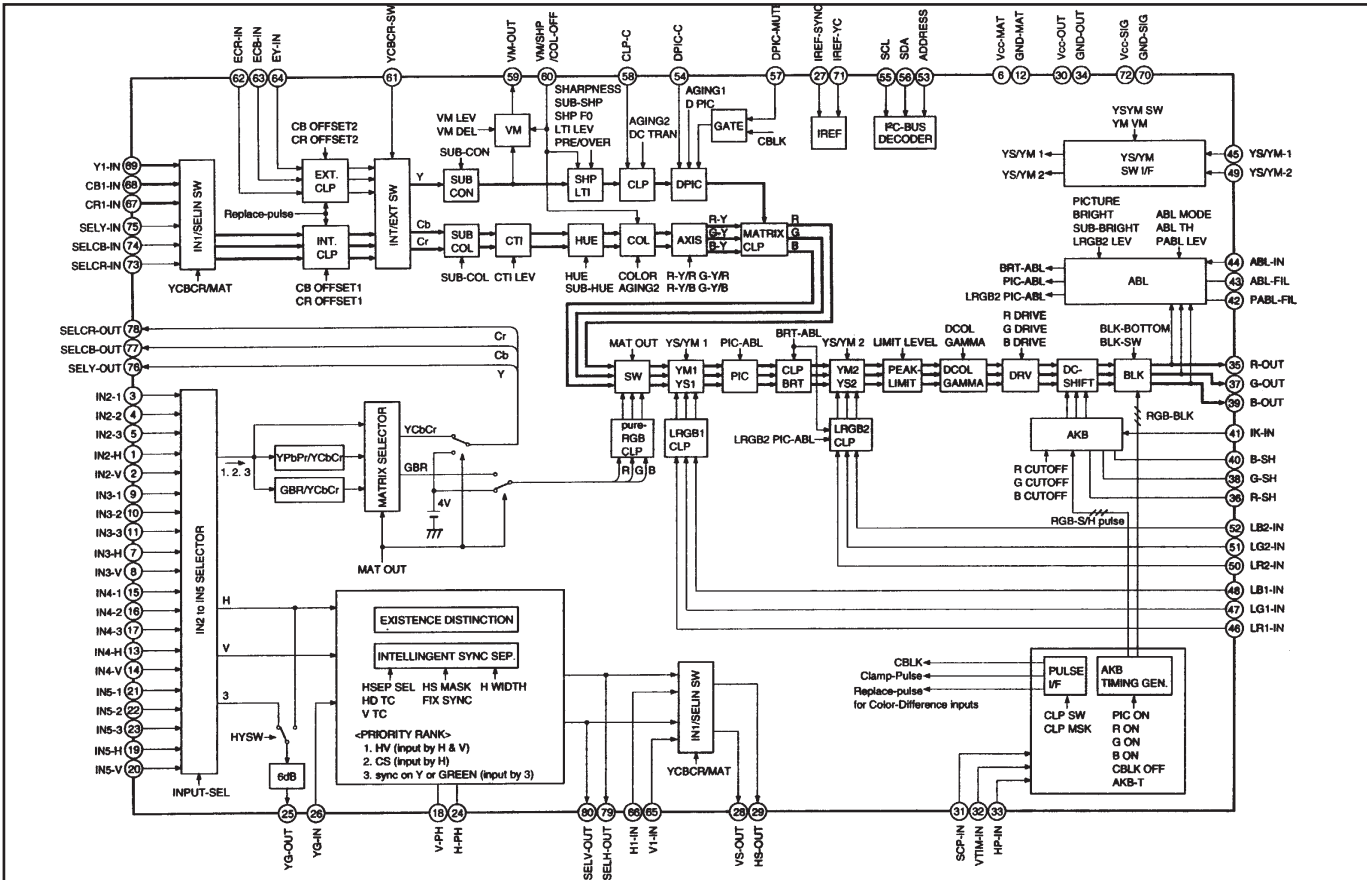
● BA6287F <Motor Drive IC5501, IC5551>



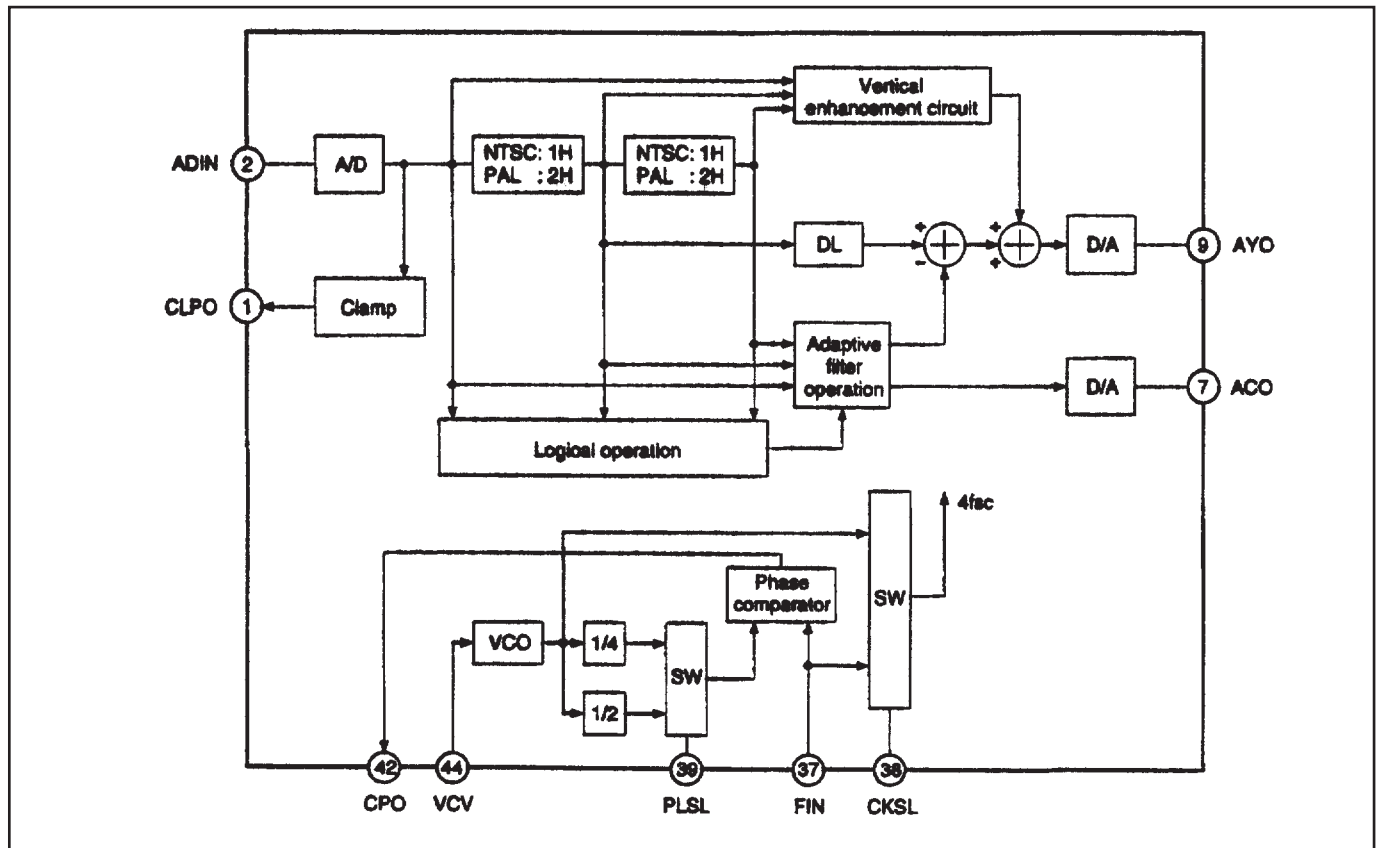
● BA7078AF <Selector, IC6241>



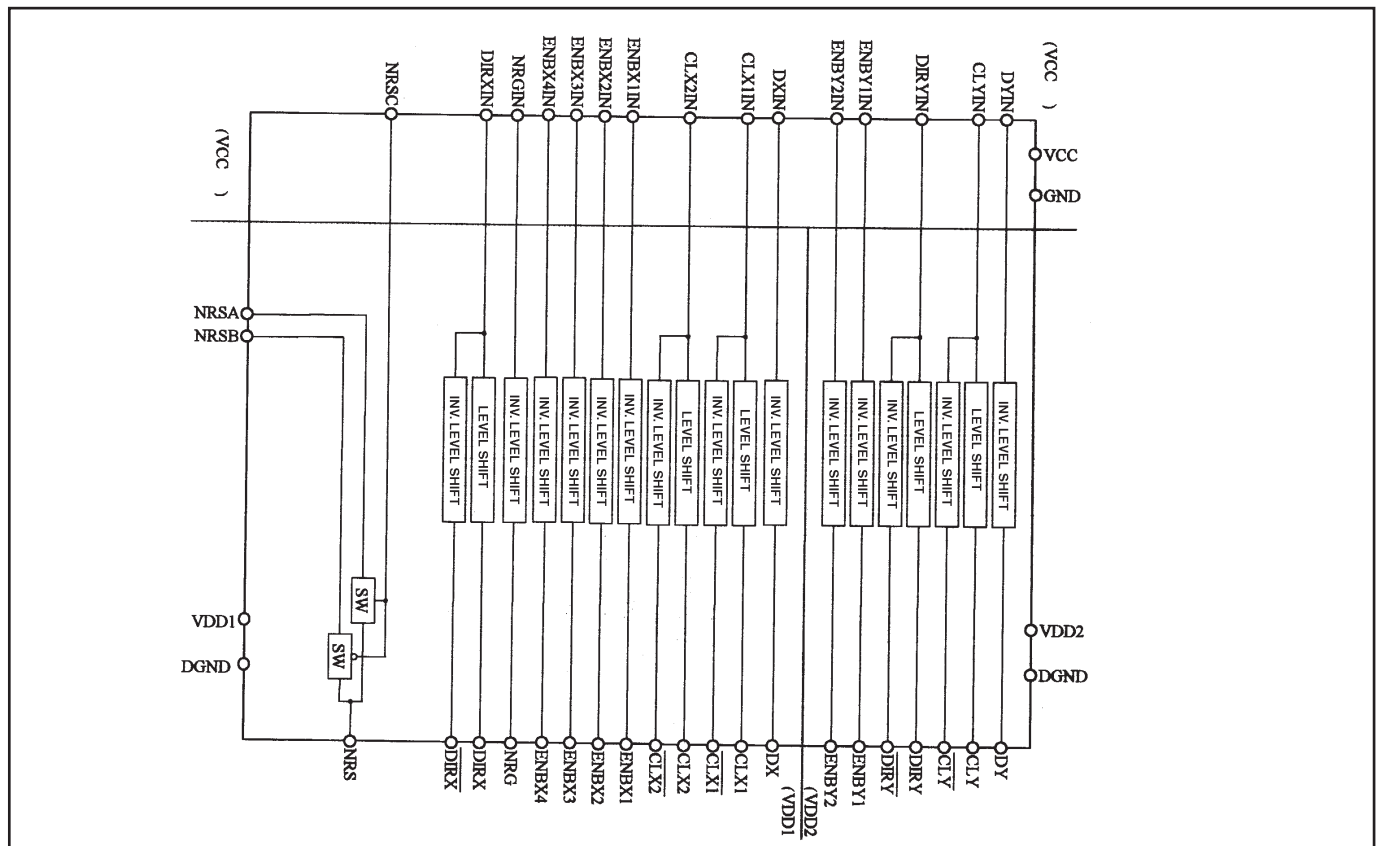
● CXA2101AQ <RGB Matrix, IC4101>



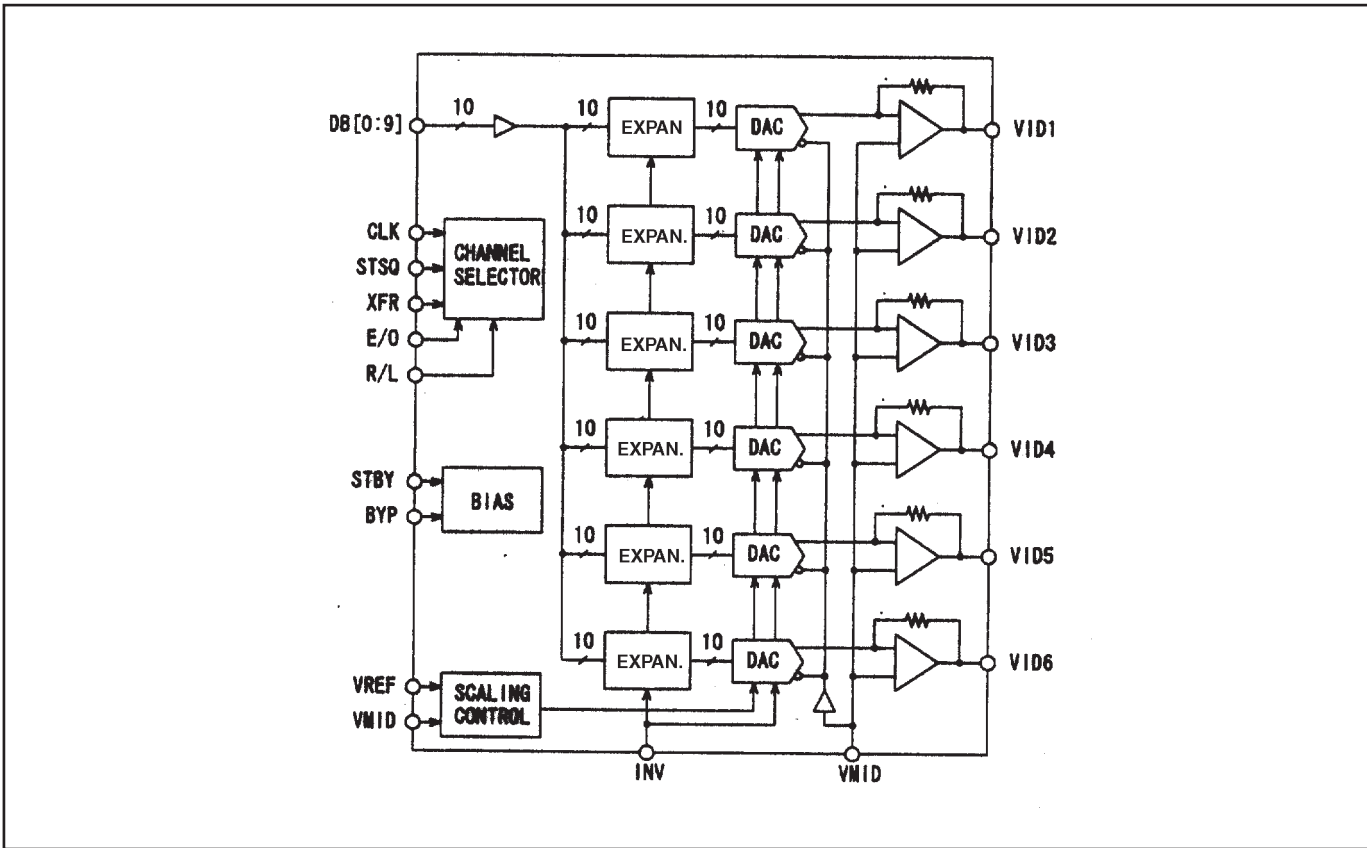
● CXD2064Q <Digital Comb Filter, IC2101>



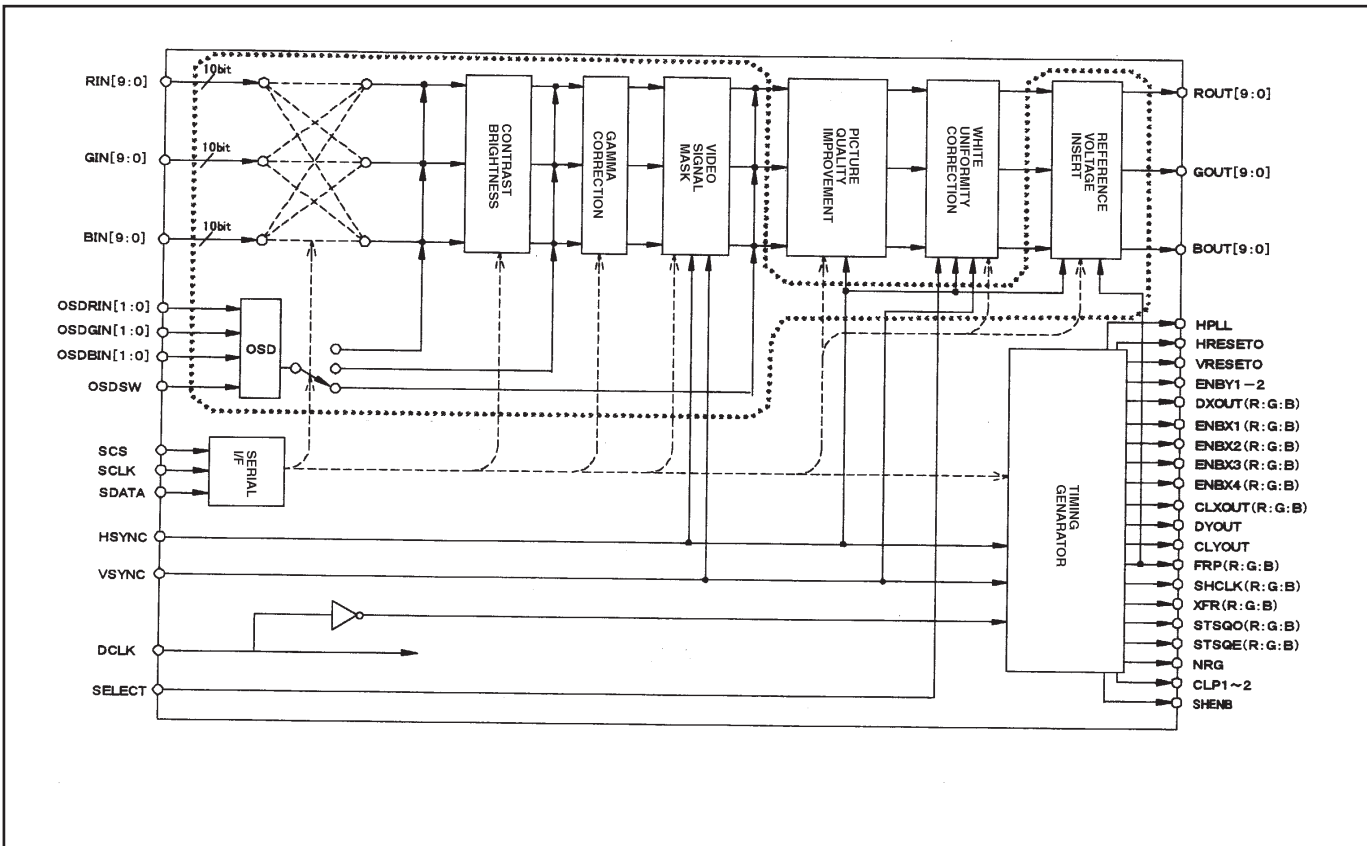
● L3E01031 <Level Shift, IC3531, IC3561>



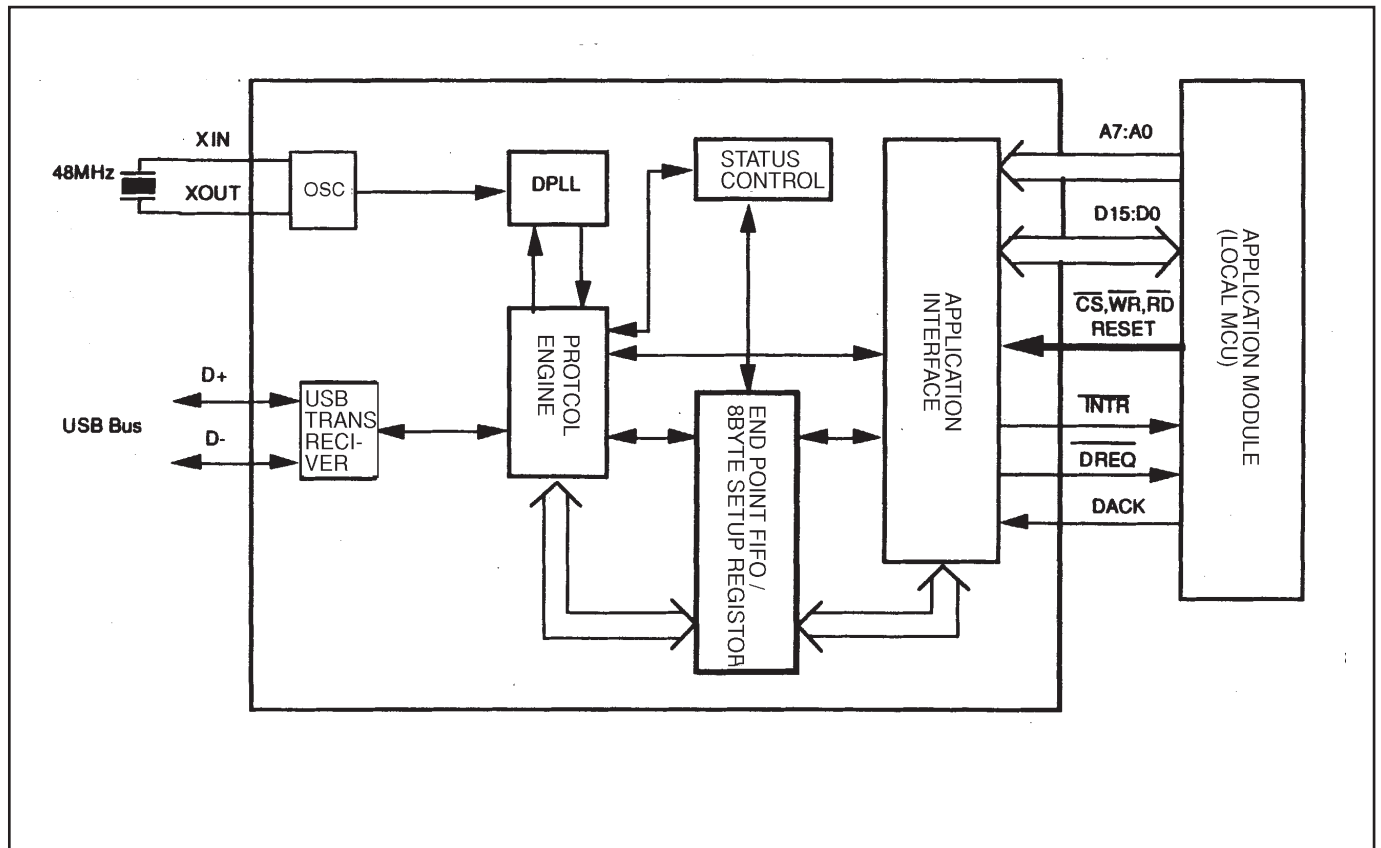
● L3E06070 <D/A-Sample & Hold, IC501, IC531, IC561>



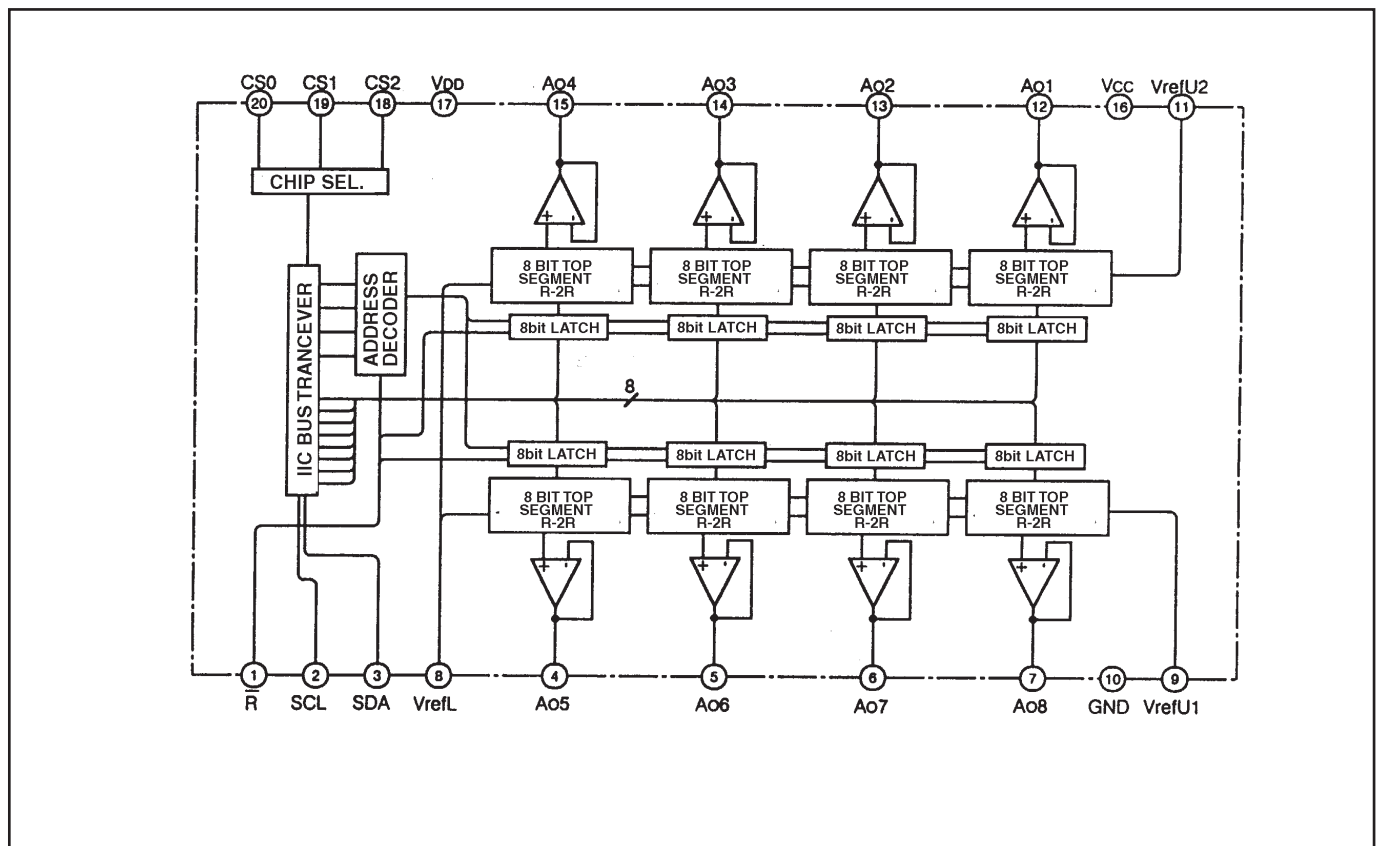
● L3E07050 <Color, Gamma Correction & Timing Controller, IC401>



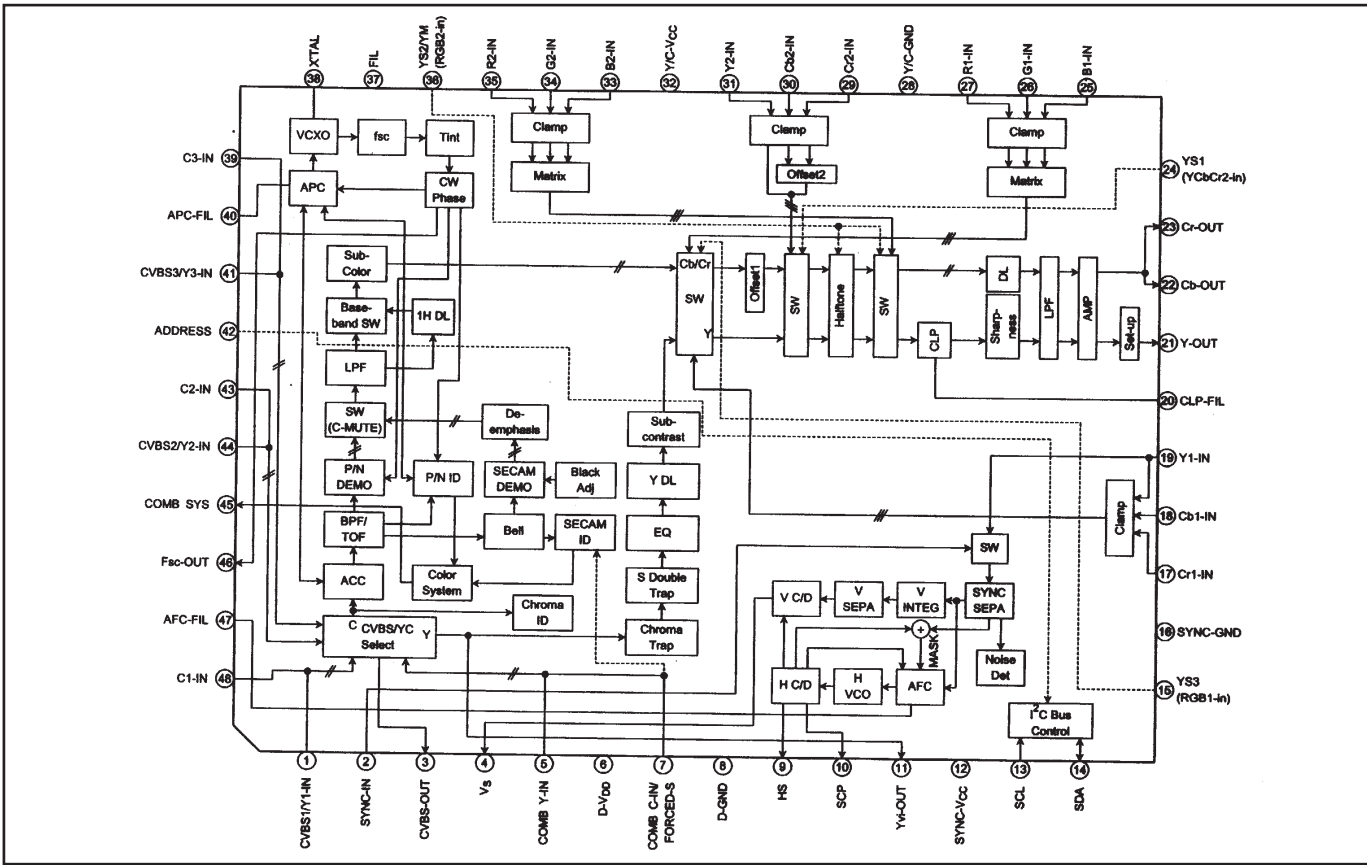
● ML60851 <USB I/F, IC9801>



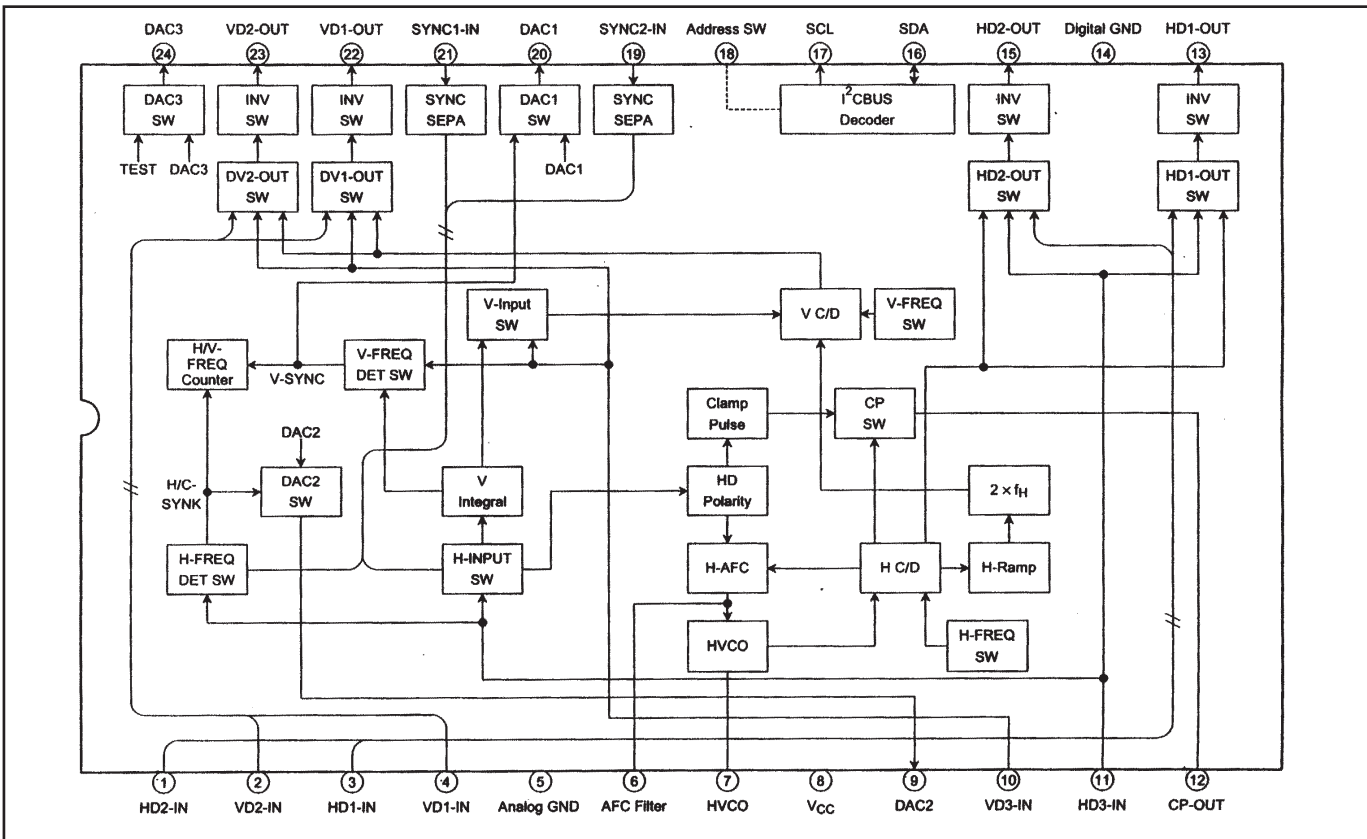
● M62393 <D/A, IC2571>



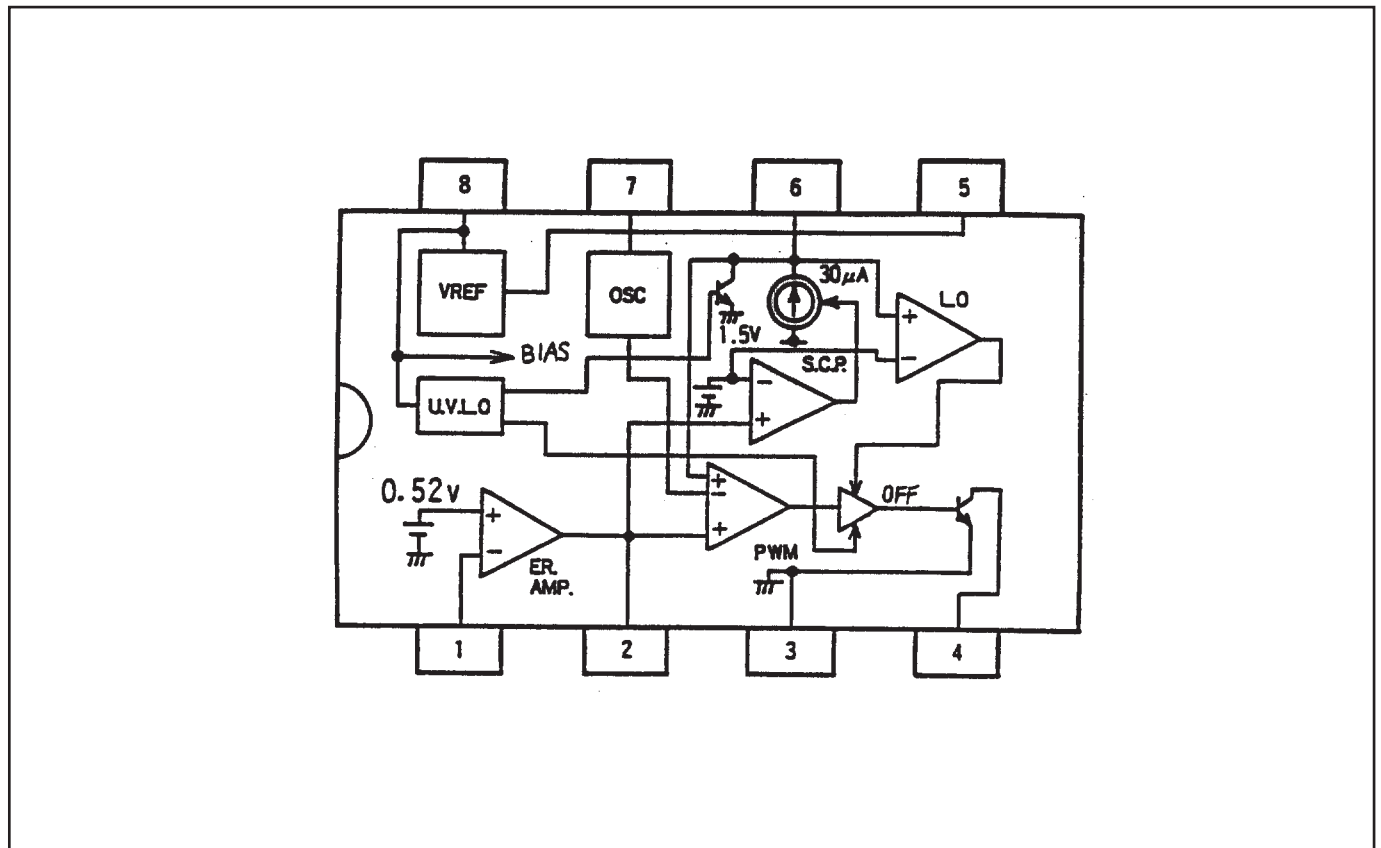
● **TB1274AF <Video Decoder, IC1101>**



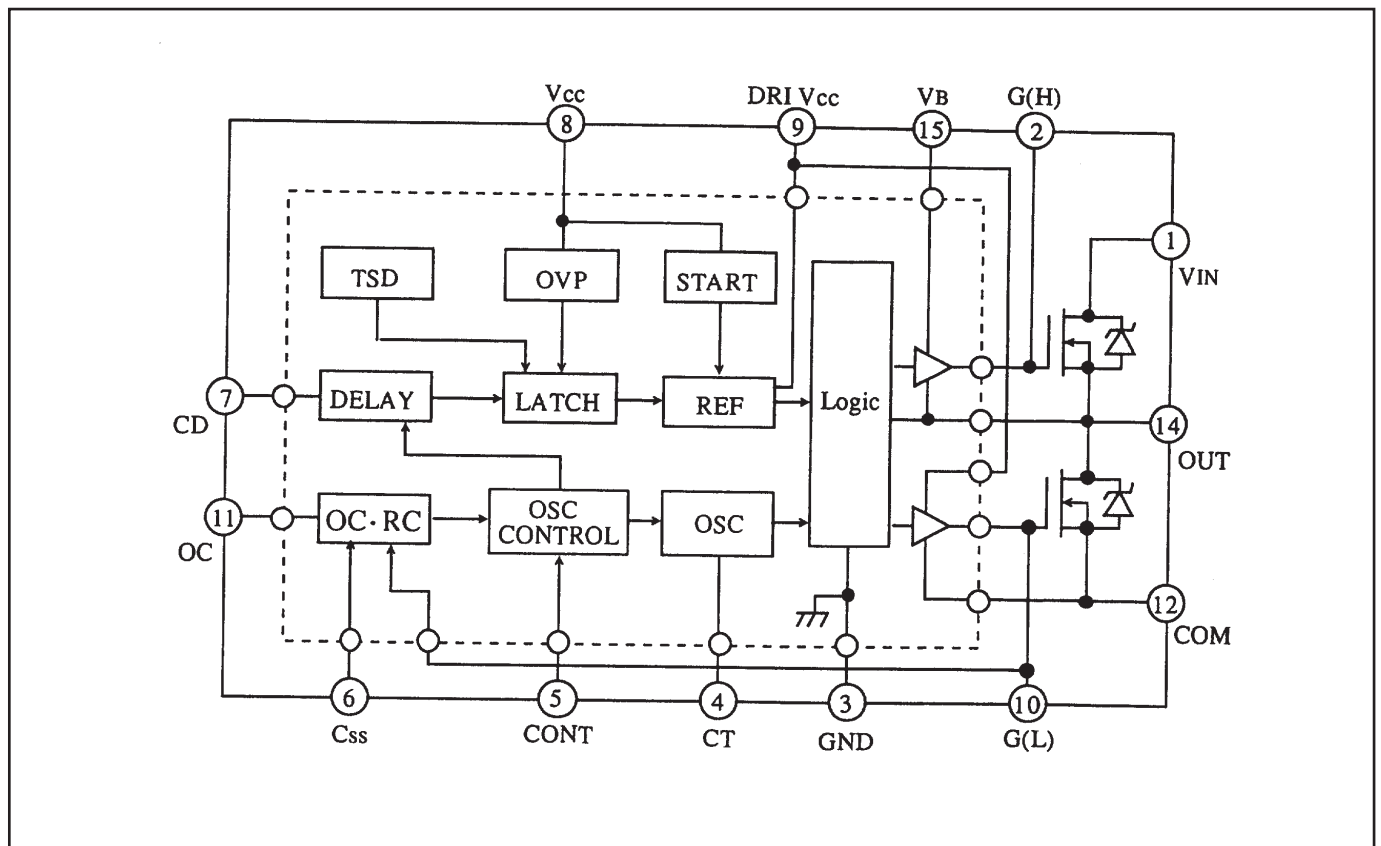
● **TA1318N <AFC Detector, IC6171>**



● FA7612CA <PWC Controller, IC65A, IC671, IC681>



● STR-Z2156 <Switching Controller, IC631>

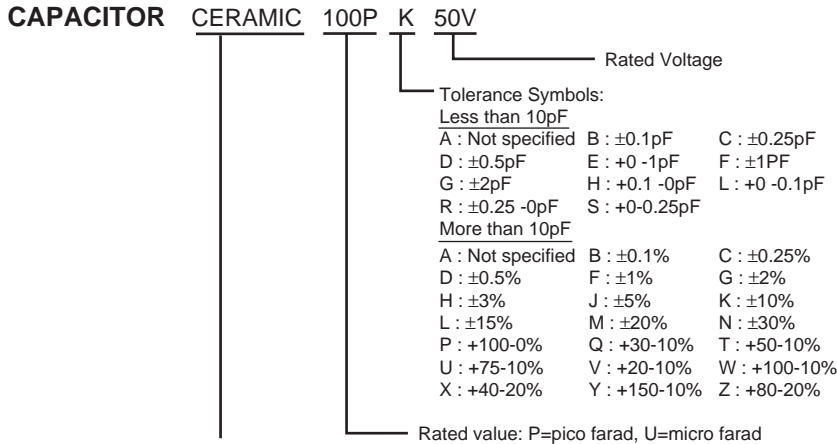




Product safety should be considered when a component replacement is made in any area of a projector. Components indicated by a Δ mark in this parts list and the circuit diagram show components whose value have special significance to product safety. It is particularly recommended that only parts specified on the following parts list be used for components replacement pointed out by the mark.

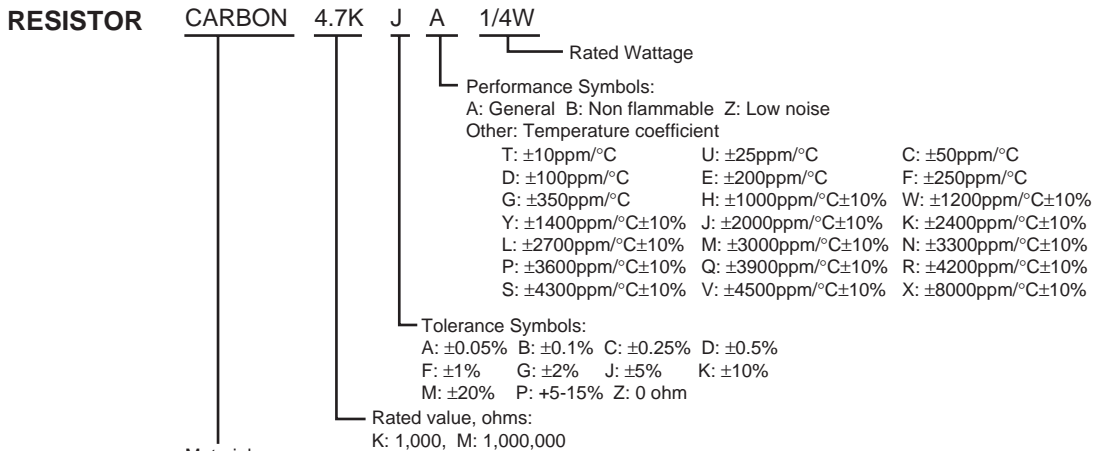
● Read Description in the parts list

Read description in the Capacitor and Resistor as follows:



Material:

- CERAMIC..... Ceramic
- MT-PAPER..... Metallized Paper
- POLYESTER..... Polyester
- MT-POLYEST.....Metallized Polyester
- POLYPRO..... Polypropylene
- MT-POLYPRO.....Metallized Polypropylene
- COMPO FILM..... Composite film
- MT-COMPO.....Metallized Composite
- STYRENE..... Styrene
- TA-SOLID..... Tantalum Oxide Solid Electrolytic
- AL-SOLID..... Aluminium Solid Electrolytic
- ELECT..... Aluminum Foil Electrolytic
- NP-ELECT..... Non-polarised Electrolytic
- OS-SOLID..... Aluminium Solid with Organic Semiconductive Electrolytic
- POS-SOLID..... Polymerized Organic Semiconductive
- DL-ELECT..... Double Layered Electrolytic
- PPS-FILM..... Polyphenylene Sulfide Film
- MT-PPS-FILM.....Metalized Polyphenylene Sulfide Film
- MT-PEN-FILM.....Metalized Polyethylenenaphthalate Film
- CAPACITOR.....Other



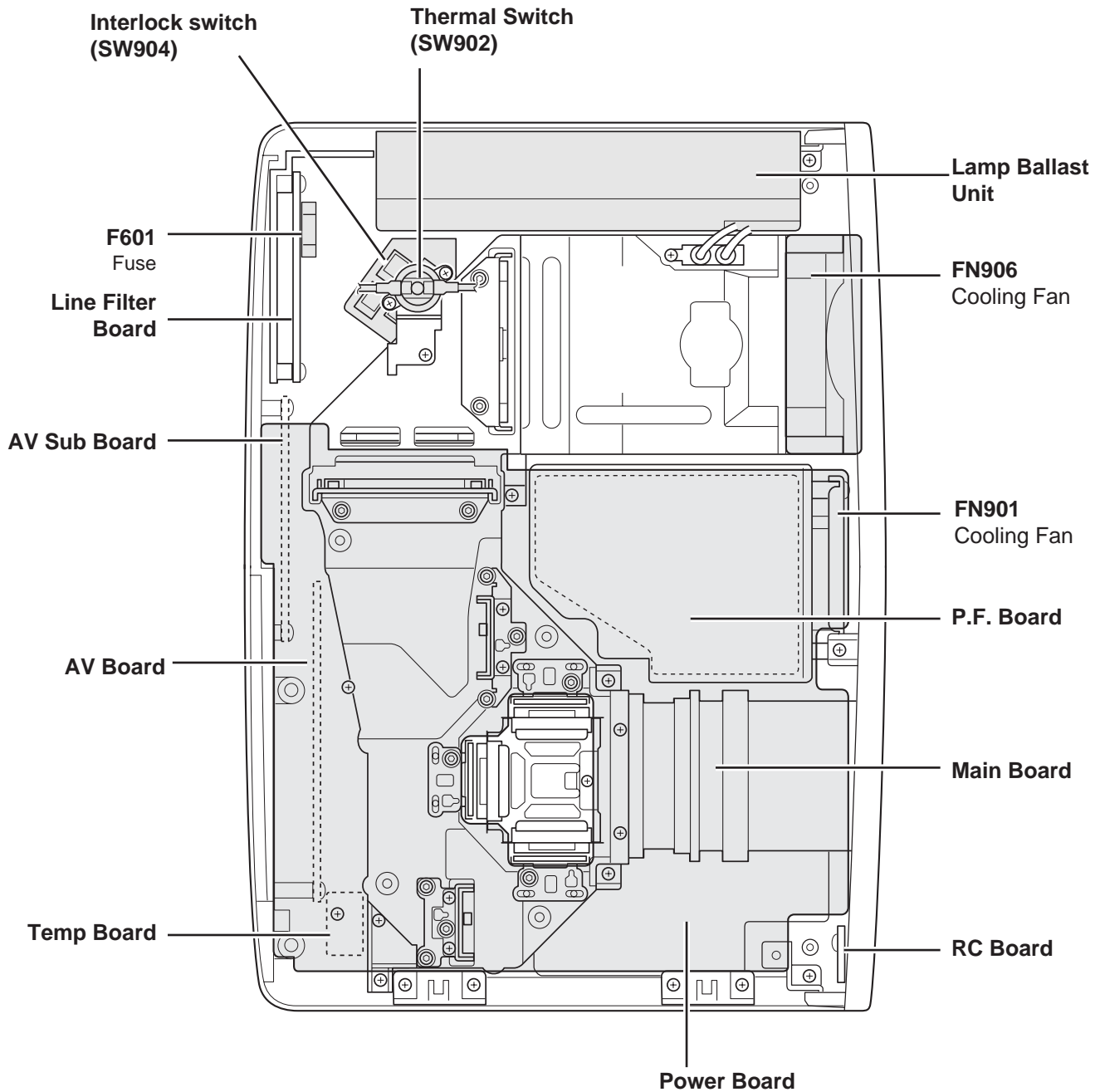
Material:

- CARBON..... Carbon
- MT-FILM..... Metal Film
- OXIDE-MT..... Oxide Metal Film
- SOLID..... Composition
- MT-GLAZE..... Metal Glaze
- WIRE WOUND... Wire Wound
- CERAMIC RES.. Ceramic
- FUSIBLE RES.... Fusible
- RESISTOROther

Electrical Parts List

Note: Parts order must contain Chassis No., Part No., and Descriptions.

● OUT OF CIRCUIT BOARD



Electrical Parts List

Key No.	Part No.	Description	Key No.	Part No.	Description
ASSEMBLED BOARDS			DIODE		
△ 610 292 5609	ASSY,PWB,KEY SW MS6A	1AA0B10C34000	D6801	407 179 0501	ZENER DIODE UDZ6.2B-TE-17
△ 610 299 4162	ASSY,PWB,P.F. MD8A	1AA0B10C352BB	D6802	407 179 0501	ZENER DIODE UDZ6.2B-TE-17
△ 610 299 7293	ASSY,PWB,POWER MM8B	1AA0B10C352DA	D6803	407 179 0501	ZENER DIODE UDZ6.2B-TE-17
△ 610 294 1708	ASSY,PWB,LINE FILTER MS6A	1AA0B10C3520C	D6804	407 179 0501	ZENER DIODE UDZ6.2B-TE-17
△ 610 294 1715	ASSY,PWB,R/C MS6A	1AA0B10C3520D	D6831	407 209 7401	LED SML-210YT-K-T86
△ 610 297 1798	ASSY,PWB,AV MD8A	1AA0B10C3700A		407 209 7500	LED SML-210YT T86 L
△ 610 297 1804	ASSY,PWB,AV SUB MD8A	1AA0B10C3700B	D6832	407 203 7803	LED SML-210LT T86 M
△ 610 297 1828	ASSY,PWB,MAIN ME8B	1AA0B10C371AA	D6833	407 203 7902	LED SML-210MT T86 M
△ 610 297 1873	ASSY,PWB,TEMP ME8A	1AA0B10C3710B	D6834	407 203 7803	LED SML-210LT T86 M
OUT OF CIRCUIT BOARDS			MISCELLANEOUS		
△ LF901	645 038 8088	UNIT,NOISE FILTER	SW6801	645 026 2791	SWITCH,PUSH 1P-1TX1
△ LP900	610 293 2751	COMPL,OPTICAL LAMP-MS6A	SW6802	645 026 2791	SWITCH,PUSH 1P-1TX1
L901	645 044 6207	CORE,FERRITE	SW6803	645 026 2791	SWITCH,PUSH 1P-1TX1
L902	645 044 6207	CORE,FERRITE	SW6804	645 026 2791	SWITCH,PUSH 1P-1TX1
MISCELLANEOUS			SW6805	645 026 2791	SWITCH,PUSH 1P-1TX1
△ A901	645 047 1346	UNIT,BALLAST	SW6806	645 026 2791	SWITCH,PUSH 1P-1TX1
△ FN901	645 047 6211	MOTOR,FAN DC 1.5W	SW6807	645 026 2791	SWITCH,PUSH 1P-1TX1
△ FN902	645 052 8774	MOTOR,FAN DC 1.8W	SW6808	645 026 2791	SWITCH,PUSH 1P-1TX1
△ FN903	645 052 9160	MOTOR,FAN DC 1.8W	SW6809	645 026 2791	SWITCH,PUSH 1P-1TX1
△ FN904	645 052 9160	MOTOR,FAN DC 1.8W	SW6810	645 026 2791	SWITCH,PUSH 1P-1TX1
△ FN905	645 052 9177	MOTOR,FAN DC 1.8W	SW6812	645 026 2791	SWITCH,PUSH 1P-1TX1
△ FN906	645 047 6198	MOTOR,FAN DC 3.0W	P. F. BOARD		
SP901	645 030 6150	SPEAKER,8	610 299 4162 ASSY,PWB,P.F. MD8A		
△ SW902	645 026 5457	SWITCH,THERMAL	1AA0B10C352BB		
	645 048 3158	SWITCH,THERMAL	TRANSISTOR		
△ SW904	645 024 8986	SWITCH,PUSH 2P-2TX2	Q611	405 140 3704	TR 2SK2698
KEY SW BOARD			Q621	405 014 4509	TR 2SC2412K T146 R
610 292 5609 ASSY,PWB,KEY SW MS6A			Q622	405 134 5905	TR 2SA1037AK-T146-R
1AA0B10C34000			INTEGRATED CIRCUIT		
CAPACITOR			IC611	409 483 3803	IC FA5332M
C6801	403 164 0204	CERAMIC 0.1U Z 25V	CAPACITOR		
C6802	403 164 0204	CERAMIC 0.1U Z 25V	C611	403 222 1303	CERAMIC 1000P K 1K
C6803	403 164 0204	CERAMIC 0.1U Z 25V	C612	403 222 1303	CERAMIC 1000P K 1K
RESISTOR			C615	403 275 6003	MT-POLYEST 1.5U J 400V
R6801	401 105 4106	MT-GLAZE 3.3K JA 1/16W	C617	404 085 9802	ELECT 180U M 450V
R6802	401 105 7909	MT-GLAZE 0.000 ZA 1/16W	C618	403 323 8706	MT-POLYEST 0.047U K 450V
R6804	401 105 7909	MT-GLAZE 0.000 ZA 1/16W	C62A	403 157 3304	CERAMIC 68P J 50V
R6806	401 105 1600	MT-GLAZE 15K JA 1/16W	C62B	403 157 6602	CERAMIC 470P K 50V
R6807	401 105 6605	MT-GLAZE 6.8K JA 1/16W	C62C	403 281 5007	CERAMIC 0.033U K 25V
R6808	401 105 4601	MT-GLAZE 3.9K JA 1/16W	C62D	403 164 0204	CERAMIC 0.1U Z 25V
R6809	401 105 4106	MT-GLAZE 3.3K JA 1/16W	C62E	403 164 0204	CERAMIC 0.1U Z 25V
R6811	401 105 7909	MT-GLAZE 0.000 ZA 1/16W	C62F	403 370 9107	CERAMIC 0.068U K 50V
R6812	401 105 7909	MT-GLAZE 0.000 ZA 1/16W	C62G	403 164 0204	CERAMIC 0.1U Z 25V
R6816	401 105 1600	MT-GLAZE 15K JA 1/16W	C62I	403 149 9208	CERAMIC 0.01U Z 50V
R6817	401 105 6605	MT-GLAZE 6.8K JA 1/16W	C62J	403 265 3302	CERAMIC 680P J 50V
R6818	401 105 4601	MT-GLAZE 3.9K JA 1/16W	C62K	403 343 4603	CERAMIC 0.022U K 50V
R6819	401 105 4106	MT-GLAZE 3.3K JA 1/16W	RESISTOR		
R6821	401 105 7909	MT-GLAZE 0.000 ZA 1/16W	R61A	401 237 0007	MT-GLAZE 47K JA 1W
R6822	401 105 7909	MT-GLAZE 0.000 ZA 1/16W	R61B	401 237 0007	MT-GLAZE 47K JA 1W
R6831	401 105 7909	MT-GLAZE 0.000 ZA 1/16W	R61C	401 237 0007	MT-GLAZE 47K JA 1W
R6832	401 105 7909	MT-GLAZE 0.000 ZA 1/16W	R61D	401 237 0007	MT-GLAZE 47K JA 1W
R6833	401 105 7909	MT-GLAZE 0.000 ZA 1/16W	R61E	401 237 0007	MT-GLAZE 47K JA 1W
R6834	401 105 7909	MT-GLAZE 0.000 ZA 1/16W	R61F	401 237 0007	MT-GLAZE 47K JA 1W
			R613	402 088 0307	RESISTER 0.15 KA 2W
			R614	402 088 0307	RESISTER 0.15 KA 2W
			R615	401 242 3901	MT-GLAZE 240K JA 1/2W
			R616	401 242 3901	MT-GLAZE 240K JA 1/2W
			R617	401 259 9002	MT-GLAZE 150K FA 1/2W

Electrical Parts List

Key No.	Part No.	Description	Key No.	Part No.	Description
R618	401 259 9002	MT-GLAZE 150K FA 1/2W	Q68A	405 139 7706	TR IMZ1A-T108
R619	401 259 9002	MT-GLAZE 150K FA 1/2W	Q681	405 047 9007	TR 2SB1204-S-TL
R62A	401 105 1501	MT-GLAZE 1.5K JA 1/16W		405 047 9106	TR 2SB1204-T-TL
R62B	401 105 0603	MT-GLAZE 10K JA 1/16W	Q682	405 014 4509	TR 2SC2412K T146 R
R62C	401 105 5509	MT-GLAZE 470K JA 1/16W	Q69A	405 014 4509	TR 2SC2412K T146 R
R62D	401 105 2201	MT-GLAZE 180K JA 1/16W	Q691	405 154 3301	TR 2SK3280-TL
R62E	401 113 5805	MT-GLAZE 1.1K JA 1/16W	INTEGRATED CIRCUIT		
R62F	401 218 4406	MT-GLAZE 1.2K FA 1/16W	IC5501	409 362 1104	IC BA6287F
R62G	401 105 0405	MT-GLAZE 100 JA 1/16W	IC5551	409 362 1104	IC BA6287F
R62H	401 105 4007	MT-GLAZE 330 JA 1/16W	IC631	409 421 4701	IC STR-Z2156
R62I	401 158 4108	MT-GLAZE 4.7 JA 1/16W	IC65A	409 459 5404	IC FA7612CN
R62J	401 105 2607	MT-GLAZE 22 JA 1/16W	IC651	409 344 6509	IC UPC1093T-E1
R62L	401 105 5301	MT-GLAZE 4.7K JA 1/16W	IC671	409 459 5404	IC FA7612CN
R62P	401 105 2508	MT-GLAZE 20K JA 1/16W	IC681	409 459 5404	IC FA7612CN
R62Q	401 105 2607	MT-GLAZE 22 JA 1/16W	CAPACITOR		
R62R	401 114 0908	MT-GLAZE 3.3M JA 1/16W	C5503	403 149 9208	CERAMIC 0.01U Z 50V
R620	401 259 9002	MT-GLAZE 150K FA 1/2W	C5553	403 149 9208	CERAMIC 0.01U Z 50V
R623	401 105 5301	MT-GLAZE 4.7K JA 1/16W	C630	403 323 8706	MT-POLYEST 0.047U K 450V
VARIABLE RESISTOR			C631	403 192 4809	TA-SOLID 2.2U M 35V
VR611	645 002 3460	VR,SEMI,1K S	C633	403 113 3805	CERAMIC 1000P K 50V
TRANSFORMER			C634	403 247 3306	CERAMIC 330P K 2K
TSW611	645 027 4145	SWITCH,THERMAL	C635	403 167 8603	CERAMIC 220P K 2K
	645 031 0256	THERMOSTATS	C636	403 070 2606	CERAMIC 0.1U Z 50V
TSW611B	411 025 5206	SCR S-TPG BIN 3X10	C637	403 157 6800	CERAMIC 680P K 50V
COIL			C638	403 208 1402	TA-SOLID 1U M 25V
L611	645 048 4742	INDUCTOR,850U	C639	403 356 1804	ELECT 220U M 35V
DIODE			C640	403 164 0204	CERAMIC 0.1U Z 25V
DB611	407 202 7705	DIODE D10XB60	C641	403 281 5205	CERAMIC 0.22U Z 16V
D613	407 149 6304	DIODE SFPB-54V	C642	403 083 4307	POLYPRO 0.022U J 400V
D614	407 191 3900	DIODE FML-G16S	C643	403 256 2406	CERAMIC 0.22U Z 50V
D614B	411 025 5206	SCR S-TPG BIN 3X10	C65A	403 157 6404	CERAMIC 330P K 50V
D616	407 149 0807	DIODE 1SS355-TE-17	C65B	403 113 3805	CERAMIC 1000P K 50V
D617	407 149 0807	DIODE 1SS355-TE-17	C65D	403 155 2309	CERAMIC 4700P K 50V
D618	407 149 0807	DIODE 1SS355-TE-17	C65E	403 304 2105	ELECT 47U M 6.3V
D619	407 149 0807	DIODE 1SS355-TE-17	C65F	403 194 4609	ELECT 470U M 16V
MISCELLANEOUS			C65G	403 164 0204	CERAMIC 0.1U Z 25V
FB611	610 229 3531	CORE	C651	403 369 2409	ELECT 2700U M 25V
FB612	610 229 3531	CORE	C652	403 350 5303	ELECT 3900U M 10V
FB613	610 229 3531	CORE	C653	403 331 0303	ELECT 470U M 16V
PTH611	408 037 4600	THERMISTOR NTH11D8R0LA	C654	403 164 0204	CERAMIC 0.1U Z 25V
POWER BOARD			C655	403 164 0204	CERAMIC 0.1U Z 25V
610 299 7293 ASSY,PWB,POWER MM8B 1AA0B10C352DA			C656	403 345 9606	CERAMIC 0.47U K 10V
TRANSISTOR			C657	403 157 6404	CERAMIC 330P K 50V
Q5501	405 014 4509	TR 2SC2412K T146 R	C658	403 157 6404	CERAMIC 330P K 50V
Q5551	405 014 4509	TR 2SC2412K T146 R	C661	403 218 8101	ELECT 1000U M 25V
Q65A	405 047 9007	TR 2SB1204-S-TL	C671	403 304 2105	ELECT 47U M 6.3V
	405 047 9106	TR 2SB1204-T-TL	C672	403 113 3805	CERAMIC 1000P K 50V
Q65B	405 014 4509	TR 2SC2412K T146 R	C673	403 157 6404	CERAMIC 330P K 50V
Q65C	405 014 4509	TR 2SC2412K T146 R	C674	403 155 2309	CERAMIC 4700P K 50V
Q651	405 014 4509	TR 2SC2412K T146 R	C676	403 194 4609	ELECT 470U M 16V
Q66A	405 014 4509	TR 2SC2412K T146 R	C681	403 304 2105	ELECT 47U M 6.3V
Q661	405 138 1309	TR 2SB1565-E	C682	403 113 3805	CERAMIC 1000P K 50V
	405 138 1408	TR 2SB1565-F	C683	403 157 6404	CERAMIC 330P K 50V
Q662	405 014 4509	TR 2SC2412K T146 R	C684	403 155 2309	CERAMIC 4700P K 50V
Q67A	405 139 7706	TR IMZ1A-T108	C686	403 194 4609	ELECT 470U M 16V
Q671	405 047 9007	TR 2SB1204-S-TL	C69Z	403 164 0204	CERAMIC 0.1U Z 25V
	405 047 9106	TR 2SB1204-T-TL	C691	403 206 9004	ELECT 1000U M 6.3V
Q672	405 014 4509	TR 2SC2412K T146 R	C692	403 206 9004	ELECT 1000U M 6.3V
			C693	403 206 9004	ELECT 1000U M 6.3V
			C694	403 206 9004	ELECT 1000U M 6.3V
			RESISTOR		
			R5501	401 105 0504	MT-GLAZE 1K JA 1/16W
			R5502	401 105 0504	MT-GLAZE 1K JA 1/16W
			R5503	401 105 5202	MT-GLAZE 470 JA 1/16W
			R5504	401 105 7909	MT-GLAZE 0.000 ZA 1/16W

Electrical Parts List

Key No.	Part No.	Description	Key No.	Part No.	Description
D69B	407 004 0706	DIODE DCB015-TB		405 014 4608	TR 2SC2412K T146 S
D69C	407 004 0706	DIODE DCB015-TB		405 015 8704	TR 2SC2812-L6-TB
MISCELLANEOUS				405 015 8902	TR 2SC2812-L7-TB
△ PC641	408 039 3502	PC TLP721F(D4-GB)		405 163 1602	TR 2SC2812N-L6-TB0
△ PC642	408 039 3502	PC TLP721F(D4-GB)	Q5032	405 163 1701	TR 2SC2812N-L7-TB0
△ PC643	408 039 3502	PC TLP721F(D4-GB)		405 014 4509	TR 2SC2412K T146 R
				405 014 4608	TR 2SC2412K T146 S
				405 015 8704	TR 2SC2812-L6-TB
				405 015 8902	TR 2SC2812-L7-TB
LINE FILTER BOARD				405 163 1602	TR 2SC2812N-L6-TB0
610 294 1708 ASSY,PWB,LINE FILTER MS6A 1AA0B10C3520C			Q5041	405 163 1701	TR 2SC2812N-L7-TB0
				405 014 4509	TR 2SC2412K T146 R
				405 014 4608	TR 2SC2412K T146 S
				405 015 8704	TR 2SC2812-L6-TB
				405 015 8902	TR 2SC2812-L7-TB
				405 163 1602	TR 2SC2812N-L6-TB0
				405 163 1701	TR 2SC2812N-L7-TB0
CAPACITOR			Q5042	405 014 4509	TR 2SC2412K T146 R
△ C601	404 081 4702	MT-POLYEST 0.22U M 275V		405 014 4608	TR 2SC2412K T146 S
△ C602	404 081 4702	MT-POLYEST 0.22U M 275V		405 015 8704	TR 2SC2812-L6-TB
△ C603	404 081 4702	MT-POLYEST 0.22U M 275V		405 015 8902	TR 2SC2812-L7-TB
△ C604	404 081 4702	MT-POLYEST 0.22U M 275V		405 163 1602	TR 2SC2812N-L6-TB0
RESISTOR				405 163 1701	TR 2SC2812N-L7-TB0
△ R601	401 008 8607	CARBON 220K JA 1/2W	Q5071	405 014 4509	TR 2SC2412K T146 R
VARIABLE RESISTOR				405 014 4608	TR 2SC2412K T146 S
△ VA601	408 018 9808	VARISTOR ENC471D-14AS		405 015 8704	TR 2SC2812-L6-TB
COIL				405 015 8902	TR 2SC2812-L7-TB
△ L601	645 025 7810	LINE FILTER		405 163 1602	TR 2SC2812N-L6-TB0
△ L602	645 025 7810	LINE FILTER	Q5072	405 163 1701	TR 2SC2812N-L7-TB0
MISCELLANEOUS				405 014 4509	TR 2SC2412K T146 R
△ F601	423 022 2102	FUSE 250V 4A		405 014 4608	TR 2SC2412K T146 S
				405 015 8704	TR 2SC2812-L6-TB
				405 015 8902	TR 2SC2812-L7-TB
				405 163 1602	TR 2SC2812N-L6-TB0
				405 163 1701	TR 2SC2812N-L7-TB0
R/C BOARD			Q5111	405 014 4509	TR 2SC2412K T146 R
610 294 1715 ASSY,PWB,R/C MS6A 1AA0B10C3520D				405 014 4608	TR 2SC2412K T146 S
				405 015 8704	TR 2SC2812-L6-TB
				405 015 8902	TR 2SC2812-L7-TB
				405 163 1602	TR 2SC2812N-L6-TB0
				405 163 1701	TR 2SC2812N-L7-TB0
CAPACITOR			Q5121	405 014 4509	TR 2SC2412K T146 R
C2801	403 304 2402	ELECT 100U M 10V		405 014 4608	TR 2SC2412K T146 S
C2802	403 283 6309	CERAMIC 1U Z 10V		405 015 8704	TR 2SC2812-L6-TB
C2803	403 157 6602	CERAMIC 470P K 50V		405 015 8902	TR 2SC2812-L7-TB
RESISTOR				405 163 1602	TR 2SC2812N-L6-TB0
RC2801	645 034 5029	UNIT,REMOCON RECEIVER		405 163 1701	TR 2SC2812N-L7-TB0
R2801	401 105 2706	MT-GLAZE 220 JA 1/16W	Q5131	405 014 4509	TR 2SC2412K T146 R
R2802	401 105 2706	MT-GLAZE 220 JA 1/16W		405 014 4608	TR 2SC2412K T146 S
R2803	401 105 0405	MT-GLAZE 100 JA 1/16W		405 015 8704	TR 2SC2812-L6-TB
				405 015 8902	TR 2SC2812-L7-TB
				405 163 1602	TR 2SC2812N-L6-TB0
				405 163 1701	TR 2SC2812N-L7-TB0
AV BOARD			Q5141	405 014 4509	TR 2SC2412K T146 R
610 297 1798 ASSY,PWB,AV MD8A 1AA0B10C3700A				405 014 4608	TR 2SC2412K T146 S
				405 015 8704	TR 2SC2812-L6-TB
				405 015 8902	TR 2SC2812-L7-TB
				405 163 1602	TR 2SC2812N-L6-TB0
				405 163 1701	TR 2SC2812N-L7-TB0
TRANSISTOR			Q5151	405 014 4509	TR 2SC2412K T146 R
Q2051	405 014 4509	TR 2SC2412K T146 R		405 014 4608	TR 2SC2412K T146 S
	405 014 4608	TR 2SC2412K T146 S		405 015 8704	TR 2SC2812-L6-TB
	405 015 8704	TR 2SC2812-L6-TB		405 015 8902	TR 2SC2812-L7-TB
	405 015 8902	TR 2SC2812-L7-TB		405 163 1602	TR 2SC2812N-L6-TB0
	405 163 1602	TR 2SC2812N-L6-TB0		405 163 1701	TR 2SC2812N-L7-TB0
	405 163 1701	TR 2SC2812N-L7-TB0			
Q5031	405 014 4509	TR 2SC2412K T146 R	INTEGRATED CIRCUIT		

Electrical Parts List

Key No.	Part No.	Description	Key No.	Part No.	Description
IC3011	409 461 7403	IC LT1399CS	R1024	401 105 0405	MT-GLAZE 100 JA 1/16W
IC3041	409 464 1408	IC TC74ACT14FT	R1025	401 105 0603	MT-GLAZE 10K JA 1/16W
IC5011	409 051 2900	IC TC4053BF(EL)	R1026	401 105 7909	MT-GLAZE 0.000 ZA 1/16W
IC5161	409 404 7200	IC TC7SET00FU-(TE85L)	R1031	401 105 7909	MT-GLAZE 0.000 ZA 1/16W
CAPACITOR			R1032	401 105 7909	MT-GLAZE 0.000 ZA 1/16W
C1041	403 157 3601	CERAMIC 100P J 50V	R1036	401 105 7909	MT-GLAZE 0.000 ZA 1/16W
C1042	403 157 3601	CERAMIC 100P J 50V	R1041	401 105 5509	MT-GLAZE 470K JA 1/16W
C1061	403 164 0204	CERAMIC 0.1U Z 25V	R1042	401 105 5509	MT-GLAZE 470K JA 1/16W
C2023	403 164 0204	CERAMIC 0.1U Z 25V	R1043	401 105 0405	MT-GLAZE 100 JA 1/16W
C2051	403 283 6309	CERAMIC 1U Z 10V	R1044	401 105 0405	MT-GLAZE 100 JA 1/16W
C2811	403 304 1801	ELECT 100U M 6.3V	R1061	401 105 7909	MT-GLAZE 0.000 ZA 1/16W
	403 373 7704	ELECT 100U M 6.3V	R1065	401 105 7909	MT-GLAZE 0.000 ZA 1/16W
C2812	403 283 6309	CERAMIC 1U Z 10V	R1066	401 105 7909	MT-GLAZE 0.000 ZA 1/16W
C2813	403 157 6602	CERAMIC 470P K 50V	R2001	401 105 7909	MT-GLAZE 0.000 ZA 1/16W
C3011	403 157 1508	CERAMIC 3P C 50V	R2002	401 113 4402	MT-GLAZE 75 JA 1/16W
C3012	403 157 1508	CERAMIC 3P C 50V	R2003	401 113 4402	MT-GLAZE 75 JA 1/16W
C3013	403 157 1508	CERAMIC 3P C 50V	R2004	401 113 4402	MT-GLAZE 75 JA 1/16W
C3016	403 164 0204	CERAMIC 0.1U Z 25V	R2005	401 113 4402	MT-GLAZE 75 JA 1/16W
C3017	403 304 2105	ELECT 47U M 6.3V	R2006	401 105 7909	MT-GLAZE 0.000 ZA 1/16W
C3018	403 164 0204	CERAMIC 0.1U Z 25V	R2007	401 113 4402	MT-GLAZE 75 JA 1/16W
C3041	403 164 0204	CERAMIC 0.1U Z 25V	R2008	401 113 4402	MT-GLAZE 75 JA 1/16W
C5001	403 229 3508	ELECT 100U M 16V	R2009	401 113 4402	MT-GLAZE 75 JA 1/16W
	403 335 0408	ELECT 100U M 16V	R2010	401 113 4402	MT-GLAZE 75 JA 1/16W
C5002	403 164 0204	CERAMIC 0.1U Z 25V	R2011	401 105 7909	MT-GLAZE 0.000 ZA 1/16W
C5011	403 205 7803	TA-SOLID 2.2U M 16V	R2012	401 113 4402	MT-GLAZE 75 JA 1/16W
C5012	403 205 7803	TA-SOLID 2.2U M 16V	R2013	401 113 4402	MT-GLAZE 75 JA 1/16W
C5013	403 205 7803	TA-SOLID 2.2U M 16V	R2014	401 113 4402	MT-GLAZE 75 JA 1/16W
C5014	403 205 7803	TA-SOLID 2.2U M 16V	R2015	401 113 4402	MT-GLAZE 75 JA 1/16W
C5021	403 304 3300	ELECT 47U M 16V	R2021	401 105 7909	MT-GLAZE 0.000 ZA 1/16W
C5022	403 164 0204	CERAMIC 0.1U Z 25V	R2022	401 113 4402	MT-GLAZE 75 JA 1/16W
C5031	403 164 0204	CERAMIC 0.1U Z 25V	R2023	401 113 4402	MT-GLAZE 75 JA 1/16W
C5101	403 229 3508	ELECT 100U M 16V	R2024	401 113 4402	MT-GLAZE 75 JA 1/16W
	403 335 0408	ELECT 100U M 16V	R2025	401 113 4402	MT-GLAZE 75 JA 1/16W
C5102	403 164 0204	CERAMIC 0.1U Z 25V	R2026	401 105 7909	MT-GLAZE 0.000 ZA 1/16W
C5108	403 164 0204	CERAMIC 0.1U Z 25V	R2027	401 113 4402	MT-GLAZE 75 JA 1/16W
C5111	403 304 2105	ELECT 47U M 6.3V	R2028	401 113 4402	MT-GLAZE 75 JA 1/16W
C5121	403 162 4709	ELECT 10U M 16V	R2029	401 113 4402	MT-GLAZE 75 JA 1/16W
	403 335 0309	ELECT 10U M 16V	R2030	401 113 4402	MT-GLAZE 75 JA 1/16W
C5131	403 348 5803	CERAMIC 0.47U K 10V	R2031	401 105 0603	MT-GLAZE 10K JA 1/16W
C5141	403 162 4709	ELECT 10U M 16V	R2032	401 105 0405	MT-GLAZE 100 JA 1/16W
	403 335 0309	ELECT 10U M 16V	R2041	401 105 5509	MT-GLAZE 470K JA 1/16W
C5151	403 162 4709	ELECT 10U M 16V	R2042	401 105 5509	MT-GLAZE 470K JA 1/16W
	403 335 0309	ELECT 10U M 16V	R2043	401 105 0405	MT-GLAZE 100 JA 1/16W
C5161	403 164 0204	CERAMIC 0.1U Z 25V	R2044	401 105 0405	MT-GLAZE 100 JA 1/16W
RESISTOR			R2051	401 105 0504	MT-GLAZE 1K JA 1/16W
RC2811	645 034 5029	UNIT,REMOCON RECEIVER	R2052	401 105 0504	MT-GLAZE 1K JA 1/16W
R1001	401 113 4402	MT-GLAZE 75 JA 1/16W	R2053	401 105 4700	MT-GLAZE 39K JA 1/16W
R1002	401 113 4402	MT-GLAZE 75 JA 1/16W	R2054	401 105 0504	MT-GLAZE 1K JA 1/16W
R1003	401 113 4402	MT-GLAZE 75 JA 1/16W	R2057	401 105 5301	MT-GLAZE 4.7K JA 1/16W
R1004	401 113 4402	MT-GLAZE 75 JA 1/16W	R2811	401 105 2706	MT-GLAZE 220 JA 1/16W
R1005	401 113 4402	MT-GLAZE 75 JA 1/16W	R2812	401 105 0405	MT-GLAZE 100 JA 1/16W
R1006	401 113 4402	MT-GLAZE 75 JA 1/16W	R3001	401 113 4402	MT-GLAZE 75 JA 1/16W
R1007	401 113 4402	MT-GLAZE 75 JA 1/16W	R3002	401 113 4402	MT-GLAZE 75 JA 1/16W
R1008	401 113 4402	MT-GLAZE 75 JA 1/16W	R3003	401 113 4402	MT-GLAZE 75 JA 1/16W
R1009	401 113 4402	MT-GLAZE 75 JA 1/16W	R3011	401 105 1501	MT-GLAZE 1.5K JA 1/16W
R1010	401 113 4402	MT-GLAZE 75 JA 1/16W	R3012	401 105 1501	MT-GLAZE 1.5K JA 1/16W
R1011	401 113 4402	MT-GLAZE 75 JA 1/16W	R3013	401 105 3208	MT-GLAZE 270 JA 1/16W
R1012	401 113 4402	MT-GLAZE 75 JA 1/16W	R3014	401 105 3208	MT-GLAZE 270 JA 1/16W
R1013	401 105 7909	MT-GLAZE 0.000 ZA 1/16W	R3015	401 105 1501	MT-GLAZE 1.5K JA 1/16W
R1014	401 105 7909	MT-GLAZE 0.000 ZA 1/16W	R3016	401 105 1501	MT-GLAZE 1.5K JA 1/16W
R1015	401 105 7909	MT-GLAZE 0.000 ZA 1/16W	R3017	401 105 3208	MT-GLAZE 270 JA 1/16W
R1016	401 105 0405	MT-GLAZE 100 JA 1/16W	R3018	401 105 1501	MT-GLAZE 1.5K JA 1/16W
R1017	401 105 0405	MT-GLAZE 100 JA 1/16W	R3019	401 105 1501	MT-GLAZE 1.5K JA 1/16W
R1018	401 105 0405	MT-GLAZE 100 JA 1/16W	R3041	401 105 0306	MT-GLAZE 10 JA 1/16W
R1021	401 105 0405	MT-GLAZE 100 JA 1/16W	R3042	401 105 6407	MT-GLAZE 68 JA 1/16W
R1023	401 105 7909	MT-GLAZE 0.000 ZA 1/16W	R3043	401 105 6407	MT-GLAZE 68 JA 1/16W
			R3044	401 105 0306	MT-GLAZE 10 JA 1/16W

Electrical Parts List

Key No.	Part No.	Description	Key No.	Part No.	Description
R5011	401 105 0702	MT-GLAZE 100K JA 1/16W	L2005	645 044 8836	FILTER,EMI 100MHZ
R5012	401 105 0702	MT-GLAZE 100K JA 1/16W	L2006	645 044 8836	FILTER,EMI 100MHZ
R5013	401 105 0702	MT-GLAZE 100K JA 1/16W	L2023	645 044 8836	FILTER,EMI 100MHZ
R5014	401 105 0702	MT-GLAZE 100K JA 1/16W	L2024	645 044 8836	FILTER,EMI 100MHZ
R5021	401 105 4106	MT-GLAZE 3.3K JA 1/16W	L2025	645 045 6183	FILTER,EMI 25MHZ
R5022	401 105 0603	MT-GLAZE 10K JA 1/16W	L2041	645 045 6183	FILTER,EMI 25MHZ
R5031	401 105 7909	MT-GLAZE 0.000 ZA 1/16W	L2042	645 045 6183	FILTER,EMI 25MHZ
R5032	401 105 2805	MT-GLAZE 2.2K JA 1/16W	L2051	645 025 5335	FILTER,EMI 2200PF
R5033	401 105 7909	MT-GLAZE 0.000 ZA 1/16W	L2052	645 025 5335	FILTER,EMI 2200PF
R5034	401 105 1501	MT-GLAZE 1.5K JA 1/16W	L2053	645 025 5335	FILTER,EMI 2200PF
R5036	401 105 2805	MT-GLAZE 2.2K JA 1/16W	L2054	645 025 5335	FILTER,EMI 2200PF
R5041	401 105 7909	MT-GLAZE 0.000 ZA 1/16W	L2056	645 025 5335	FILTER,EMI 2200PF
R5042	401 105 2805	MT-GLAZE 2.2K JA 1/16W	L2057	645 023 2978	INDUCTOR,800 OHM
R5043	401 105 7909	MT-GLAZE 0.000 ZA 1/16W	L2058	645 023 2978	INDUCTOR,800 OHM
R5044	401 105 1501	MT-GLAZE 1.5K JA 1/16W	L3001	645 044 8843	FILTER,EMI 200MHZ
R5046	401 105 2805	MT-GLAZE 2.2K JA 1/16W	L3002	645 044 8843	FILTER,EMI 200MHZ
R5071	401 105 2904	MT-GLAZE 22K JA 1/16W	L3003	645 044 8843	FILTER,EMI 200MHZ
R5072	401 105 0603	MT-GLAZE 10K JA 1/16W	L3004	645 044 8843	FILTER,EMI 200MHZ
R5073	401 105 5301	MT-GLAZE 4.7K JA 1/16W	L3006	645 044 8843	FILTER,EMI 200MHZ
R5074	401 105 0603	MT-GLAZE 10K JA 1/16W	L5001	645 026 0988	INDUCTOR,2.2U M
R5076	401 105 0603	MT-GLAZE 10K JA 1/16W			
R5077	401 105 0603	MT-GLAZE 10K JA 1/16W			
R5078	401 105 7909	MT-GLAZE 0.000 ZA 1/16W			
R5111	401 105 5400	MT-GLAZE 47K JA 1/16W			
R5112	401 105 4700	MT-GLAZE 39K JA 1/16W			
R5113	401 105 1402	MT-GLAZE 150 JA 1/16W			
R5114	401 105 1501	MT-GLAZE 1.5K JA 1/16W			
R5116	401 105 1501	MT-GLAZE 1.5K JA 1/16W			
R5117	401 105 5103	MT-GLAZE 47 JA 1/16W			
R5121	401 105 5400	MT-GLAZE 47K JA 1/16W			
R5122	401 105 4700	MT-GLAZE 39K JA 1/16W			
R5123	401 105 1402	MT-GLAZE 150 JA 1/16W			
R5124	401 105 0504	MT-GLAZE 1K JA 1/16W			
R5126	401 105 5103	MT-GLAZE 47 JA 1/16W			
R5131	401 105 5400	MT-GLAZE 47K JA 1/16W			
R5132	401 105 4700	MT-GLAZE 39K JA 1/16W			
R5133	401 105 1402	MT-GLAZE 150 JA 1/16W			
R5134	401 105 0504	MT-GLAZE 1K JA 1/16W			
R5136	401 105 5103	MT-GLAZE 47 JA 1/16W			
R5141	401 105 5400	MT-GLAZE 47K JA 1/16W			
R5142	401 105 4700	MT-GLAZE 39K JA 1/16W			
R5143	401 105 1402	MT-GLAZE 150 JA 1/16W			
R5144	401 105 0504	MT-GLAZE 1K JA 1/16W			
R5146	401 105 5103	MT-GLAZE 47 JA 1/16W			
R5151	401 105 5400	MT-GLAZE 47K JA 1/16W			
R5152	401 105 4700	MT-GLAZE 39K JA 1/16W			
R5153	401 105 1402	MT-GLAZE 150 JA 1/16W			
R5154	401 105 0504	MT-GLAZE 1K JA 1/16W			
R5156	401 105 5103	MT-GLAZE 47 JA 1/16W			
R5161	401 105 0405	MT-GLAZE 100 JA 1/16W			
R5162	401 105 0405	MT-GLAZE 100 JA 1/16W			
R5163	401 105 0603	MT-GLAZE 10K JA 1/16W			
R5164	401 105 0603	MT-GLAZE 10K JA 1/16W			
COIL			DIODE		
L1021	645 044 8843	FILTER,EMI 200MHZ	D1001	407 179 0501	ZENER DIODE UDZ6.2B-TE-17
L1022	645 044 8843	FILTER,EMI 200MHZ	D1002	407 179 0501	ZENER DIODE UDZ6.2B-TE-17
L1041	645 045 6183	FILTER,EMI 25MHZ	D1003	407 179 0501	ZENER DIODE UDZ6.2B-TE-17
L1042	645 045 6183	FILTER,EMI 25MHZ	D1021	407 187 8209	ZENER DIODE UDZ12B-TE-17
L1051	645 045 6183	FILTER,EMI 25MHZ	D1022	407 187 8209	ZENER DIODE UDZ12B-TE-17
L1052	645 045 6183	FILTER,EMI 25MHZ	D1031	407 187 8209	ZENER DIODE UDZ12B-TE-17
L1053	645 045 6183	FILTER,EMI 25MHZ	D1032	407 187 8209	ZENER DIODE UDZ12B-TE-17
L1054	645 045 6183	FILTER,EMI 25MHZ	D1041	407 187 8209	ZENER DIODE UDZ12B-TE-17
L1055	645 045 6183	FILTER,EMI 25MHZ	D1042	407 187 8209	ZENER DIODE UDZ12B-TE-17
L1056	645 045 6183	FILTER,EMI 25MHZ	D1043	407 187 8209	ZENER DIODE UDZ12B-TE-17
L1057	645 045 6183	FILTER,EMI 25MHZ	D1044	407 187 8209	ZENER DIODE UDZ12B-TE-17
L2004	645 044 8836	FILTER,EMI 100MHZ	D1051	407 187 8605	ZENER DIODE UDZ20B-TE-17
			D1052	407 187 8605	ZENER DIODE UDZ20B-TE-17
			D1053	407 187 8605	ZENER DIODE UDZ20B-TE-17
			D1054	407 187 8605	ZENER DIODE UDZ20B-TE-17
			D1055	407 187 8605	ZENER DIODE UDZ20B-TE-17
			D1056	407 187 8605	ZENER DIODE UDZ20B-TE-17
			D1057	407 187 8605	ZENER DIODE UDZ20B-TE-17
			D1058	407 187 8605	ZENER DIODE UDZ20B-TE-17
			D1059	407 187 8605	ZENER DIODE UDZ20B-TE-17
			D1061	407 179 0501	ZENER DIODE UDZ6.2B-TE-17
			D1065	407 187 8209	ZENER DIODE UDZ12B-TE-17
			D1066	407 187 8209	ZENER DIODE UDZ12B-TE-17
			D1067	407 187 8209	ZENER DIODE UDZ12B-TE-17
			D1068	407 187 8209	ZENER DIODE UDZ12B-TE-17
			D2001	407 179 0501	ZENER DIODE UDZ6.2B-TE-17
			D2002	407 179 0501	ZENER DIODE UDZ6.2B-TE-17
			D2003	407 179 0501	ZENER DIODE UDZ6.2B-TE-17
			D2004	407 179 0501	ZENER DIODE UDZ6.2B-TE-17
			D2005	407 179 0501	ZENER DIODE UDZ6.2B-TE-17
			D2006	407 179 0501	ZENER DIODE UDZ6.2B-TE-17
			D2021	407 179 0501	ZENER DIODE UDZ6.2B-TE-17
			D2022	407 179 0501	ZENER DIODE UDZ6.2B-TE-17
			D2023	407 179 0501	ZENER DIODE UDZ6.2B-TE-17
			D2024	407 179 0501	ZENER DIODE UDZ6.2B-TE-17
			D2025	407 187 8209	ZENER DIODE UDZ12B-TE-17
			D2041	407 187 8209	ZENER DIODE UDZ12B-TE-17
			D2042	407 187 8209	ZENER DIODE UDZ12B-TE-17
			D2043	407 187 8209	ZENER DIODE UDZ12B-TE-17
			D2044	407 187 8209	ZENER DIODE UDZ12B-TE-17
			D2051	407 187 8209	ZENER DIODE UDZ12B-TE-17
			D2052	407 187 8209	ZENER DIODE UDZ12B-TE-17
			D2053	407 187 8209	ZENER DIODE UDZ12B-TE-17
			D2054	407 187 8209	ZENER DIODE UDZ12B-TE-17
			D2056	407 187 8209	ZENER DIODE UDZ12B-TE-17

Electrical Parts List

Key No.	Part No.	Description	Key No.	Part No.	Description
D2057	407 187 8209	ZENER DIODE UDZ12B-TE-17	IC6171	409 523 5002	IC TA1318AF
D2058	407 187 8209	ZENER DIODE UDZ12B-TE-17	CAPACITOR		
D2059	407 187 8209	ZENER DIODE UDZ12B-TE-17	C011	403 164 0204	CERAMIC 0.1U Z 25V
D2811	407 179 0501	ZENER DIODE UDZ6.2B-TE-17	C012	403 283 6309	CERAMIC 1U Z 10V
D2812	407 179 0501	ZENER DIODE UDZ6.2B-TE-17	C021	403 164 0204	CERAMIC 0.1U Z 25V
D3001	407 179 0501	ZENER DIODE UDZ6.2B-TE-17	C022	403 283 6309	CERAMIC 1U Z 10V
D3002	407 179 0501	ZENER DIODE UDZ6.2B-TE-17	C026	403 304 2105	ELECT 47U M 6.3V
D3003	407 179 0501	ZENER DIODE UDZ6.2B-TE-17	C027	403 164 0204	CERAMIC 0.1U Z 25V
D3004	407 187 8209	ZENER DIODE UDZ12B-TE-17	C028	403 164 0204	CERAMIC 0.1U Z 25V
D3006	407 187 8209	ZENER DIODE UDZ12B-TE-17	C031	403 229 3508	ELECT 100U M 16V
MISCELLANEOUS			403 335 0408	ELECT	100U M 16V
K10A	645 009 8093	SOCKET,D-SUB 15P	C032	403 349 9800	ELECT 470U M 10V
K10B	645 000 2571	JACK,PHONE D8.0	C033	403 304 2105	ELECT 47U M 6.3V
K10C	645 000 2595	SOCKET,DIN 8P	C034	403 349 9800	ELECT 470U M 10V
K10D	645 028 0382	SOCKET,USB 4P	C036	403 164 0204	CERAMIC 0.1U Z 25V
K10E	645 009 8093	SOCKET,D-SUB 15P	C6170	403 229 3508	ELECT 100U M 16V
K20A	645 042 2799	JACK,RCA-3	403 335 0408	ELECT	100U M 16V
K20B	645 030 6297	SOCKET,DIN 4P	C6171	403 229 3508	ELECT 100U M 16V
K20C	645 047 8499	JACK,RCA-2	403 335 0408	ELECT	100U M 16V
K20D	645 017 1680	JACK,PHONE D3.6	C6172	403 164 0204	CERAMIC 0.1U Z 25V
SW1061	645 042 8104	SWITCH,PUSH 1P-1TX1	C6176	403 164 0204	CERAMIC 0.1U Z 25V
AV SUB BOARD			C6177	403 164 0204	CERAMIC 0.1U Z 25V
610 297 1804 ASSY,PWB,AV SUB MD8A 1AA0B10C3700B			C6178	403 215 2201	CERAMIC 0.01U K 50V
TRANSISTOR			C6179	403 162 6604	ELECT 2.2U M 50V
Q011	405 014 4509	TR 2SC2412K T146 R	C6183	403 164 0204	CERAMIC 0.1U Z 25V
	405 014 4608	TR 2SC2412K T146 S	C6184	403 164 0204	CERAMIC 0.1U Z 25V
	405 015 8704	TR 2SC2812-L6-TB	C7001	403 304 1801	ELECT 100U M 6.3V
	405 015 8902	TR 2SC2812-L7-TB	403 373 7704	ELECT	100U M 6.3V
	405 163 1602	TR 2SC2812N-L6-TB0	C7002	403 164 0204	CERAMIC 0.1U Z 25V
	405 163 1701	TR 2SC2812N-L7-TB0	RESISTOR		
Q012	405 014 4509	TR 2SC2412K T146 R	R010	401 105 0603	MT-GLAZE 10K JA 1/16W
	405 014 4608	TR 2SC2412K T146 S	R011	401 105 2102	MT-GLAZE 18K JA 1/16W
	405 015 8704	TR 2SC2812-L6-TB	R012	401 105 0504	MT-GLAZE 1K JA 1/16W
	405 015 8902	TR 2SC2812-L7-TB	R013	401 105 0405	MT-GLAZE 100 JA 1/16W
	405 163 1602	TR 2SC2812N-L6-TB0	R014	401 105 0504	MT-GLAZE 1K JA 1/16W
	405 163 1701	TR 2SC2812N-L7-TB0	R015	401 105 5301	MT-GLAZE 4.7K JA 1/16W
Q013	405 134 5905	TR 2SA1037AK-T146-R	R016	401 105 0603	MT-GLAZE 10K JA 1/16W
Q021	405 014 4509	TR 2SC2412K T146 R	R017	401 105 1709	MT-GLAZE 150K JA 1/16W
	405 014 4608	TR 2SC2412K T146 S	R018	401 105 0504	MT-GLAZE 1K JA 1/16W
	405 015 8704	TR 2SC2812-L6-TB	R019	401 105 7909	MT-GLAZE 0.000 ZA 1/16W
	405 015 8902	TR 2SC2812-L7-TB	R020	401 105 0603	MT-GLAZE 10K JA 1/16W
	405 163 1602	TR 2SC2812N-L6-TB0	R021	401 105 2102	MT-GLAZE 18K JA 1/16W
	405 163 1701	TR 2SC2812N-L7-TB0	R022	401 105 0504	MT-GLAZE 1K JA 1/16W
Q022	405 014 4509	TR 2SC2412K T146 R	R023	401 105 0405	MT-GLAZE 100 JA 1/16W
	405 014 4608	TR 2SC2412K T146 S	R024	401 105 0504	MT-GLAZE 1K JA 1/16W
	405 015 8704	TR 2SC2812-L6-TB	R025	401 105 5301	MT-GLAZE 4.7K JA 1/16W
	405 015 8902	TR 2SC2812-L7-TB	R026	401 105 0603	MT-GLAZE 10K JA 1/16W
	405 163 1602	TR 2SC2812N-L6-TB0	R027	401 105 1709	MT-GLAZE 150K JA 1/16W
	405 163 1701	TR 2SC2812N-L7-TB0	R028	401 105 2805	MT-GLAZE 2.2K JA 1/16W
Q023	405 014 4509	TR 2SC2412K T146 R	R029	401 105 5400	MT-GLAZE 47K JA 1/16W
	405 014 4608	TR 2SC2412K T146 S	R031	401 105 0504	MT-GLAZE 1K JA 1/16W
	405 015 8704	TR 2SC2812-L6-TB	R032	401 105 0603	MT-GLAZE 10K JA 1/16W
	405 015 8902	TR 2SC2812-L7-TB	R6171	401 105 6001	MT-GLAZE 5.6K JA 1/16W
	405 163 1602	TR 2SC2812N-L6-TB0	R6172	401 113 5201	MT-GLAZE 360 JA 1/16W
	405 163 1701	TR 2SC2812N-L7-TB0	R6173	401 105 0405	MT-GLAZE 100 JA 1/16W
	405 014 4509	TR 2SC2412K T146 R	R6174	401 105 0405	MT-GLAZE 100 JA 1/16W
	405 014 4608	TR 2SC2412K T146 S	R6175	401 105 0405	MT-GLAZE 100 JA 1/16W
	405 015 8704	TR 2SC2812-L6-TB	R6176	401 105 4106	MT-GLAZE 3.3K JA 1/16W
	405 015 8902	TR 2SC2812-L7-TB	R6177	401 105 0405	MT-GLAZE 100 JA 1/16W
	405 163 1602	TR 2SC2812N-L6-TB0	R6178	401 105 0405	MT-GLAZE 100 JA 1/16W
	405 163 1701	TR 2SC2812N-L7-TB0	R6179	401 105 0405	MT-GLAZE 100 JA 1/16W
INTEGRATED CIRCUIT			R6183	401 158 4108	MT-GLAZE 4.7 JA 1/16W
IC011	409 341 4102	IC BA7655AF	R6184	401 105 7909	MT-GLAZE 0.000 ZA 1/16W
IC021	409 416 6505	IC BA05FP-E2	R6187	401 105 0603	MT-GLAZE 10K JA 1/16W
IC031	410 428 4700	IC TDA8542AT/N1	R6188	401 105 0405	MT-GLAZE 100 JA 1/16W
			R6189	401 105 0405	MT-GLAZE 100 JA 1/16W

Electrical Parts List

Key No.	Part No.	Description	Key No.	Part No.	Description
IC5241	409 470 2604	IC AD8183ARU	C1133	403 113 3805	CERAMIC 1000P K 50V
IC5251	409 357 6602	IC LT1260CS	C1161	403 155 4204	CERAMIC 15P J 50V
IC5261	410 343 7008	IC SN74AHCT1G14DBVR	C1171	403 322 7809	ELECT 220U M 6.3V
IC5271	409 461 7304	IC AD8057ART		403 349 4706	ELECT 220U M 6.3V
IC5281	409 461 7304	IC AD8057ART	C1172	403 164 0204	CERAMIC 0.1U Z 25V
IC5291	409 461 7304	IC AD8057ART	C122	403 164 0204	CERAMIC 0.1U Z 25V
IC531	409 502 3302	IC L3E06070D0A	C123	403 266 8108	NP-ELECT 1U M 50V
IC561	409 502 3302	IC L3E06070D0A	C1301	403 164 0204	CERAMIC 0.1U Z 25V
IC6101	409 431 6009	IC MC74VHC14DT	C131	403 164 0204	CERAMIC 0.1U Z 25V
	410 356 8009	IC SN74LV14APWR	C1311	403 164 0204	CERAMIC 0.1U Z 25V
IC6121	409 158 5804	IC TC74HC123AF-TP1	C1331	403 322 7809	ELECT 220U M 6.3V
IC6141	409 158 5804	IC TC74HC123AF-TP1		403 349 4706	ELECT 220U M 6.3V
IC6211	409 461 7304	IC AD8057ART	C1332	403 164 0204	CERAMIC 0.1U Z 25V
IC6221	409 461 7304	IC AD8057ART	C1333	403 164 0204	CERAMIC 0.1U Z 25V
IC6241	409 484 2003	IC BA7078AF-E2	C1342	403 164 0204	CERAMIC 0.1U Z 25V
IC6251	409 431 6009	IC MC74VHC14DT	C1351	403 304 1801	ELECT 100U M 6.3V
	410 356 8009	IC SN74LV14APWR		403 373 7704	ELECT 100U M 6.3V
IC6261	409 211 7301	IC MC14053BF	C1352	403 164 0204	CERAMIC 0.1U Z 25V
	409 051 2900	IC TC4053BF-TP1	C1362	403 164 0204	CERAMIC 0.1U Z 25V
IC6271	410 354 6304	IC SN74LVLC126APWR	C1371	403 164 0204	CERAMIC 0.1U Z 25V
IC6281	409 429 6806	IC TC74LCX74FT-(EL)	C1401	403 322 7809	ELECT 220U M 6.3V
IC6621	409 124 5708	IC L78M09T-TR		403 349 4706	ELECT 220U M 6.3V
IC6631	409 416 6406	IC BA033FP-E2	C1402	403 164 0204	CERAMIC 0.1U Z 25V
IC6641	409 416 6406	IC BA033FP-E2	C1403	403 164 0204	CERAMIC 0.1U Z 25V
IC6651	409 416 6406	IC BA033FP-E2	C1404	403 164 0204	CERAMIC 0.1U Z 25V
IC6661	409 499 1701	IC PQ025EZ01ZP	C1406	403 164 0204	CERAMIC 0.1U Z 25V
	409 461 7700	IC PQ2TZ15	C1407	403 164 0204	CERAMIC 0.1U Z 25V
IC6671	409 499 1701	IC PQ025EZ01ZP	C1408	403 164 0204	CERAMIC 0.1U Z 25V
	409 461 7700	IC PQ2TZ15	C1409	403 164 0204	CERAMIC 0.1U Z 25V
IC801	410 432 1108	IC HD64F2238ATE13-B995	C1411	403 164 0204	CERAMIC 0.1U Z 25V
IC8121	409 211 7301	IC MC14053BF	C1412	403 164 0204	CERAMIC 0.1U Z 25V
	409 051 2900	IC TC4053BF-TP1	C1413	403 164 0204	CERAMIC 0.1U Z 25V
IC8131	409 462 0304	IC 24LC21AT/SN	C1414	403 164 0204	CERAMIC 0.1U Z 25V
IC841	409 433 4201	IC MN13821-H-TX	C1416	403 164 0204	CERAMIC 0.1U Z 25V
IC9801	409 468 8908	IC ML60851CTB	C151	403 304 3300	ELECT 47U M 16V
	409 521 4502	IC ML60851DTB	C152	403 164 0204	CERAMIC 0.1U Z 25V
			C153	403 267 0804	NP-ELECT 47U M 6.3V
			C154	403 164 0204	CERAMIC 0.1U Z 25V
			C1581	403 164 0204	CERAMIC 0.1U Z 25V
			C1582	403 304 2105	ELECT 47U M 6.3V
			C1583	403 164 0204	CERAMIC 0.1U Z 25V
			C171	403 164 0204	CERAMIC 0.1U Z 25V
			C1801	403 164 0204	CERAMIC 0.1U Z 25V
			C1811	403 304 1801	ELECT 100U M 6.3V
				403 373 7704	ELECT 100U M 6.3V
			C1812	403 164 0204	CERAMIC 0.1U Z 25V
			C1821	403 164 0204	CERAMIC 0.1U Z 25V
			C1826	403 164 0204	CERAMIC 0.1U Z 25V
			C1831	403 304 2105	ELECT 47U M 6.3V
			C1832	403 164 0204	CERAMIC 0.1U Z 25V
			C1833	403 304 2105	ELECT 47U M 6.3V
			C1834	403 164 0204	CERAMIC 0.1U Z 25V
			C1861	403 164 0204	CERAMIC 0.1U Z 25V
			C1871	403 164 0204	CERAMIC 0.1U Z 25V
			C1881	403 164 0204	CERAMIC 0.1U Z 25V
			C201	403 322 7809	ELECT 220U M 6.3V
				403 349 4706	ELECT 220U M 6.3V
			C202	403 164 0204	CERAMIC 0.1U Z 25V
			C203	403 322 7809	ELECT 220U M 6.3V
				403 349 4706	ELECT 220U M 6.3V
			C204	403 164 0204	CERAMIC 0.1U Z 25V
			C205	403 322 7809	ELECT 220U M 6.3V
				403 349 4706	ELECT 220U M 6.3V
			C206	403 164 0204	CERAMIC 0.1U Z 25V
			C2101	403 304 1801	ELECT 100U M 6.3V
				403 373 7704	ELECT 100U M 6.3V
			C2102	403 164 0204	CERAMIC 0.1U Z 25V
CAPACITOR					
C1101	403 304 2105	ELECT 47U M 6.3V			
C1102	403 164 0204	CERAMIC 0.1U Z 25V			
C1103	403 304 2105	ELECT 47U M 6.3V			
C1104	403 164 0204	CERAMIC 0.1U Z 25V			
C1105	403 304 2105	ELECT 47U M 6.3V			
C1106	403 164 0204	CERAMIC 0.1U Z 25V			
C1107	403 304 2105	ELECT 47U M 6.3V			
C1108	403 164 0204	CERAMIC 0.1U Z 25V			
C111	403 304 3300	ELECT 47U M 16V			
C1111	403 164 0204	CERAMIC 0.1U Z 25V			
C1112	403 164 0204	CERAMIC 0.1U Z 25V			
C1113	403 164 0204	CERAMIC 0.1U Z 25V			
C1114	403 149 9208	CERAMIC 0.01U Z 50V			
C1115	403 157 2901	CERAMIC 47P J 50V			
C1116	403 164 0204	CERAMIC 0.1U Z 25V			
C1117	403 164 0204	CERAMIC 0.1U Z 25V			
C1118	403 164 0204	CERAMIC 0.1U Z 25V			
C1119	403 162 5300	ELECT 4.7U M 25V			
C112	403 164 0204	CERAMIC 0.1U Z 25V			
C1121	403 157 1805	CERAMIC 9P D 50V			
C1122	403 164 0204	CERAMIC 0.1U Z 25V			
C1123	403 149 9208	CERAMIC 0.01U Z 50V			
C1124	403 162 6000	ELECT 0.47U M 50V			
C1126	403 164 0204	CERAMIC 0.1U Z 25V			
C1127	403 149 9208	CERAMIC 0.01U Z 50V			
C1128	403 164 0204	CERAMIC 0.1U Z 25V			
C1129	403 164 0204	CERAMIC 0.1U Z 25V			
C1131	403 215 2904	CERAMIC 0.022U K 25V			
C1132	403 162 6604	ELECT 2.2U M 50V			

Electrical Parts List

Key No.	Part No.	Description	Key No.	Part No.	Description
C2103	403 304 1801	ELECT 100U M 6.3V		403 335 0309	ELECT 10U M 16V
	403 373 7704	ELECT 100U M 6.3V	C3103	403 164 0204	CERAMIC 0.1U Z 25V
C2104	403 164 0204	CERAMIC 0.1U Z 25V	C3104	403 162 4709	ELECT 10U M 16V
C2105	403 304 1801	ELECT 100U M 6.3V		403 335 0309	ELECT 10U M 16V
	403 373 7704	ELECT 100U M 6.3V	C311	403 164 0204	CERAMIC 0.1U Z 25V
C2106	403 164 0204	CERAMIC 0.1U Z 25V	C3112	403 163 9802	CERAMIC 0.047U Z 25V
C211	403 215 2102	CERAMIC 8200P K 50V	C3113	403 163 9802	CERAMIC 0.047U Z 25V
C2111	403 175 4802	NP-ELECT 10U M 10V	C312	403 164 0204	CERAMIC 0.1U Z 25V
C2112	403 164 0204	CERAMIC 0.1U Z 25V	C3122	403 157 1904	CERAMIC 10P D 50V
C2113	403 164 0204	CERAMIC 0.1U Z 25V	C3126	403 304 1801	ELECT 100U M 6.3V
C2117	403 164 0204	CERAMIC 0.1U Z 25V		403 373 7704	ELECT 100U M 6.3V
C2118	403 164 0204	CERAMIC 0.1U Z 25V	C3127	403 164 0204	CERAMIC 0.1U Z 25V
C2119	403 164 0204	CERAMIC 0.1U Z 25V	C313	403 164 0204	CERAMIC 0.1U Z 25V
C212	403 205 2808	CERAMIC 0.047U K 25V	C3132	403 157 1904	CERAMIC 10P D 50V
C2121	403 164 0204	CERAMIC 0.1U Z 25V	C314	403 164 0204	CERAMIC 0.1U Z 25V
C2124	403 149 9208	CERAMIC 0.01U Z 50V	C3142	403 157 1904	CERAMIC 10P D 50V
C2126	403 149 9208	CERAMIC 0.01U Z 50V	C316	403 164 0204	CERAMIC 0.1U Z 25V
C2127	403 215 2904	CERAMIC 0.022U K 25V	C3161	403 164 0204	CERAMIC 0.1U Z 25V
C213	403 338 0108	CERAMIC 0.039U K 25V	C317	403 164 0204	CERAMIC 0.1U Z 25V
C2161	403 304 2105	ELECT 47U M 6.3V	C318	403 164 0204	CERAMIC 0.1U Z 25V
C2162	403 164 0204	CERAMIC 0.1U Z 25V	C319	403 164 0204	CERAMIC 0.1U Z 25V
C2163	403 304 2105	ELECT 47U M 6.3V	C321	403 164 0204	CERAMIC 0.1U Z 25V
C2164	403 164 0204	CERAMIC 0.1U Z 25V	C322	403 164 0204	CERAMIC 0.1U Z 25V
C221	403 298 9609	CERAMIC 0.1U K 16V	C323	403 164 0204	CERAMIC 0.1U Z 25V
	403 325 3303	CERAMIC 0.1U K 16V	C324	403 164 0204	CERAMIC 0.1U Z 25V
C2501	403 164 0204	CERAMIC 0.1U Z 25V	C3532	403 164 0204	CERAMIC 0.1U Z 25V
C2502	403 164 0204	CERAMIC 0.1U Z 25V	C3533	403 229 3508	ELECT 100U M 16V
C2503	403 164 0204	CERAMIC 0.1U Z 25V		403 335 0408	ELECT 100U M 16V
C2506	403 164 0204	CERAMIC 0.1U Z 25V	C3534	403 164 0204	CERAMIC 0.1U Z 25V
C2507	403 304 3508	ELECT 10U M 25V	C3536	403 164 0204	CERAMIC 0.1U Z 25V
C2508	403 164 0204	CERAMIC 0.1U Z 25V	C3538	403 164 0204	CERAMIC 0.1U Z 25V
C251	403 164 0204	CERAMIC 0.1U Z 25V	C3539	403 164 0204	CERAMIC 0.1U Z 25V
C2511	403 164 0204	CERAMIC 0.1U Z 25V	C3551	403 229 3508	ELECT 100U M 16V
C2512	403 164 0204	CERAMIC 0.1U Z 25V		403 335 0408	ELECT 100U M 16V
C2513	403 164 0204	CERAMIC 0.1U Z 25V	C3552	403 164 0204	CERAMIC 0.1U Z 25V
C2516	403 164 0204	CERAMIC 0.1U Z 25V	C3553	403 157 3601	CERAMIC 100P J 50V
C2517	403 304 3508	ELECT 10U M 25V	C3562	403 164 0204	CERAMIC 0.1U Z 25V
C2518	403 164 0204	CERAMIC 0.1U Z 25V	C3563	403 229 3508	ELECT 100U M 16V
C2521	403 164 0204	CERAMIC 0.1U Z 25V		403 335 0408	ELECT 100U M 16V
C2522	403 164 0204	CERAMIC 0.1U Z 25V	C3564	403 164 0204	CERAMIC 0.1U Z 25V
C2523	403 164 0204	CERAMIC 0.1U Z 25V	C3566	403 164 0204	CERAMIC 0.1U Z 25V
C2526	403 164 0204	CERAMIC 0.1U Z 25V	C3568	403 164 0204	CERAMIC 0.1U Z 25V
C2527	403 304 3508	ELECT 10U M 25V	C3569	403 164 0204	CERAMIC 0.1U Z 25V
C2528	403 164 0204	CERAMIC 0.1U Z 25V	C3581	403 229 3508	ELECT 100U M 16V
C2571	403 164 0204	CERAMIC 0.1U Z 25V		403 335 0408	ELECT 100U M 16V
C2572	403 304 2105	ELECT 47U M 6.3V	C3582	403 164 0204	CERAMIC 0.1U Z 25V
C2573	403 164 0204	CERAMIC 0.1U Z 25V	C3583	403 157 3601	CERAMIC 100P J 50V
C2591	403 229 3508	ELECT 100U M 16V	C3584	403 149 9208	CERAMIC 0.01U Z 50V
	403 335 0408	ELECT 100U M 16V	C3592	403 162 4709	ELECT 10U M 16V
C2807	403 157 2901	CERAMIC 47P J 50V		403 335 0309	ELECT 10U M 16V
C2821	403 164 0204	CERAMIC 0.1U Z 25V	C3801	403 164 0204	CERAMIC 0.1U Z 25V
C2822	403 164 0204	CERAMIC 0.1U Z 25V	C3802	403 162 6208	ELECT 1U M 50V
C2823	403 164 0204	CERAMIC 0.1U Z 25V	C3803	403 162 6208	ELECT 1U M 50V
C2882	403 164 0204	CERAMIC 0.1U Z 25V	C3804	403 162 6208	ELECT 1U M 50V
C301	403 322 7809	ELECT 220U M 6.3V	C3806	403 162 6208	ELECT 1U M 50V
	403 349 4706	ELECT 220U M 6.3V	C3821	403 164 0204	CERAMIC 0.1U Z 25V
C302	403 164 0204	CERAMIC 0.1U Z 25V	C3831	403 164 0204	CERAMIC 0.1U Z 25V
C303	403 322 7809	ELECT 220U M 6.3V	C3841	403 162 6208	ELECT 1U M 50V
	403 349 4706	ELECT 220U M 6.3V	C3842	403 164 0204	CERAMIC 0.1U Z 25V
C304	403 164 0204	CERAMIC 0.1U Z 25V	C3843	403 164 0204	CERAMIC 0.1U Z 25V
C306	403 164 0204	CERAMIC 0.1U Z 25V	C3844	403 304 2105	ELECT 47U M 6.3V
C307	403 164 0204	CERAMIC 0.1U Z 25V	C401	403 322 7809	ELECT 220U M 6.3V
C308	403 164 0204	CERAMIC 0.1U Z 25V		403 349 4706	ELECT 220U M 6.3V
C309	403 164 0204	CERAMIC 0.1U Z 25V	C402	403 164 0204	CERAMIC 0.1U Z 25V
C3101	403 162 4709	ELECT 10U M 16V	C403	403 322 7809	ELECT 220U M 6.3V
	403 335 0309	ELECT 10U M 16V		403 349 4706	ELECT 220U M 6.3V
C3102	403 162 4709	ELECT 10U M 16V	C404	403 164 0204	CERAMIC 0.1U Z 25V

Electrical Parts List

Key No.	Part No.	Description	Key No.	Part No.	Description
C406	403 164 0204	CERAMIC 0.1U Z 25V	C5201	403 304 2105	ELECT 47U M 6.3V
C407	403 164 0204	CERAMIC 0.1U Z 25V	C5202	403 164 0204	CERAMIC 0.1U Z 25V
C408	403 164 0204	CERAMIC 0.1U Z 25V	C5203	403 304 2105	ELECT 47U M 6.3V
C409	403 164 0204	CERAMIC 0.1U Z 25V	C5204	403 164 0204	CERAMIC 0.1U Z 25V
C4102	403 164 0204	CERAMIC 0.1U Z 25V	C5206	403 304 1801	ELECT 100U M 6.3V
C4103	403 280 1604	ELECT 220U M 16V		403 373 7704	ELECT 100U M 6.3V
C4104	403 164 0204	CERAMIC 0.1U Z 25V	C5207	403 283 6309	CERAMIC 1U Z 10V
C4105	403 304 3300	ELECT 47U M 16V	C5208	403 304 1801	ELECT 100U M 6.3V
C4106	403 164 0204	CERAMIC 0.1U Z 25V		403 373 7704	ELECT 100U M 6.3V
C411	403 164 0204	CERAMIC 0.1U Z 25V	C5209	403 283 6309	CERAMIC 1U Z 10V
C4116	403 164 0204	CERAMIC 0.1U Z 25V	C521	403 164 0204	CERAMIC 0.1U Z 25V
C412	403 164 0204	CERAMIC 0.1U Z 25V	C5211	403 157 1508	CERAMIC 3P C 50V
C4127	403 283 6309	CERAMIC 1U Z 10V	C5212	403 157 1508	CERAMIC 3P C 50V
C413	403 164 0204	CERAMIC 0.1U Z 25V	C5213	403 157 1508	CERAMIC 3P C 50V
C4134	403 149 9208	CERAMIC 0.01U Z 50V	C522	403 164 0204	CERAMIC 0.1U Z 25V
C4137	403 283 6309	CERAMIC 1U Z 10V	C5231	403 162 4006	ELECT 22U M 6.3V
C4138	403 164 0204	CERAMIC 0.1U Z 25V	C5232	403 162 4006	ELECT 22U M 6.3V
C4139	403 164 0204	CERAMIC 0.1U Z 25V	C5233	403 162 4006	ELECT 22U M 6.3V
C414	403 164 0204	CERAMIC 0.1U Z 25V	C5241	403 164 0204	CERAMIC 0.1U Z 25V
C4141	403 164 0204	CERAMIC 0.1U Z 25V	C5242	403 164 0204	CERAMIC 0.1U Z 25V
C4142	403 162 4709	ELECT 10U M 16V	C5243	403 164 0204	CERAMIC 0.1U Z 25V
	403 335 0309	ELECT 10U M 16V	C5244	403 149 9208	CERAMIC 0.01U Z 50V
C4143	403 162 6000	ELECT 0.47U M 50V	C5246	403 267 0804	NP-ELECT 47U M 6.3V
C4144	403 149 9208	CERAMIC 0.01U Z 50V	C5247	403 267 0804	NP-ELECT 47U M 6.3V
C4146	403 162 4709	ELECT 10U M 16V	C5248	403 267 0804	NP-ELECT 47U M 6.3V
	403 335 0309	ELECT 10U M 16V	C5251	403 164 0204	CERAMIC 0.1U Z 25V
C4147	403 164 0204	CERAMIC 0.1U Z 25V	C5252	403 164 0204	CERAMIC 0.1U Z 25V
C4148	403 149 9208	CERAMIC 0.01U Z 50V	C5253	403 164 0204	CERAMIC 0.1U Z 25V
C4149	403 149 9208	CERAMIC 0.01U Z 50V	C5256	403 304 3300	ELECT 47U M 16V
C4151	403 149 9208	CERAMIC 0.01U Z 50V	C5257	403 164 0204	CERAMIC 0.1U Z 25V
C4152	403 149 9208	CERAMIC 0.01U Z 50V	C5258	403 304 1801	ELECT 100U M 6.3V
C4153	403 149 9208	CERAMIC 0.01U Z 50V		403 373 7704	ELECT 100U M 6.3V
C4154	403 149 9208	CERAMIC 0.01U Z 50V	C5259	403 164 0204	CERAMIC 0.1U Z 25V
C4156	403 162 4709	ELECT 10U M 16V	C5261	403 164 0204	CERAMIC 0.1U Z 25V
	403 335 0309	ELECT 10U M 16V	C5271	403 304 1801	ELECT 100U M 6.3V
C4158	403 162 6000	ELECT 0.47U M 50V		403 373 7704	ELECT 100U M 6.3V
C4159	403 149 9208	CERAMIC 0.01U Z 50V	C5272	403 283 6309	CERAMIC 1U Z 10V
C416	403 164 0204	CERAMIC 0.1U Z 25V	C5273	403 304 1801	ELECT 100U M 6.3V
C4161	403 149 9208	CERAMIC 0.01U Z 50V		403 373 7704	ELECT 100U M 6.3V
C4162	403 149 9208	CERAMIC 0.01U Z 50V	C5274	403 283 6309	CERAMIC 1U Z 10V
C4163	403 164 0204	CERAMIC 0.1U Z 25V	C5276	403 157 1904	CERAMIC 10P D 50V
C4164	403 164 0204	CERAMIC 0.1U Z 25V	C5277	403 157 2901	CERAMIC 47P J 50V
C4166	403 164 0204	CERAMIC 0.1U Z 25V	C5286	403 157 1904	CERAMIC 10P D 50V
C4167	403 164 0204	CERAMIC 0.1U Z 25V	C5287	403 139 7504	CERAMIC 39P J 50V
C4168	403 164 0204	CERAMIC 0.1U Z 25V	C5296	403 157 1904	CERAMIC 10P D 50V
C4169	403 164 0204	CERAMIC 0.1U Z 25V	C5297	403 157 2901	CERAMIC 47P J 50V
C417	403 164 0204	CERAMIC 0.1U Z 25V	C531	403 304 1801	ELECT 100U M 6.3V
C4176	403 164 0204	CERAMIC 0.1U Z 25V		403 373 7704	ELECT 100U M 6.3V
C4177	403 175 4802	NP-ELECT 10U M 10V	C532	403 164 0204	CERAMIC 0.1U Z 25V
C418	403 164 0204	CERAMIC 0.1U Z 25V	C533	403 304 3300	ELECT 47U M 16V
C4186	403 164 0204	CERAMIC 0.1U Z 25V	C534	403 164 0204	CERAMIC 0.1U Z 25V
C419	403 164 0204	CERAMIC 0.1U Z 25V	C536	403 164 0204	CERAMIC 0.1U Z 25V
C421	403 164 0204	CERAMIC 0.1U Z 25V	C537	403 164 0204	CERAMIC 0.1U Z 25V
C422	403 164 0204	CERAMIC 0.1U Z 25V	C538	403 164 0204	CERAMIC 0.1U Z 25V
C423	403 164 0204	CERAMIC 0.1U Z 25V	C539	403 164 0204	CERAMIC 0.1U Z 25V
C501	403 304 1801	ELECT 100U M 6.3V	C541	403 164 0204	CERAMIC 0.1U Z 25V
	403 373 7704	ELECT 100U M 6.3V	C542	403 164 0204	CERAMIC 0.1U Z 25V
C502	403 164 0204	CERAMIC 0.1U Z 25V	C543	403 164 0204	CERAMIC 0.1U Z 25V
C503	403 304 3300	ELECT 47U M 16V	C551	403 164 0204	CERAMIC 0.1U Z 25V
C504	403 164 0204	CERAMIC 0.1U Z 25V	C552	403 164 0204	CERAMIC 0.1U Z 25V
C506	403 164 0204	CERAMIC 0.1U Z 25V	C561	403 304 1801	ELECT 100U M 6.3V
C507	403 164 0204	CERAMIC 0.1U Z 25V		403 373 7704	ELECT 100U M 6.3V
C508	403 164 0204	CERAMIC 0.1U Z 25V	C562	403 164 0204	CERAMIC 0.1U Z 25V
C509	403 164 0204	CERAMIC 0.1U Z 25V	C563	403 304 3300	ELECT 47U M 16V
C511	403 164 0204	CERAMIC 0.1U Z 25V	C564	403 164 0204	CERAMIC 0.1U Z 25V
C512	403 164 0204	CERAMIC 0.1U Z 25V	C566	403 164 0204	CERAMIC 0.1U Z 25V
C513	403 164 0204	CERAMIC 0.1U Z 25V	C567	403 164 0204	CERAMIC 0.1U Z 25V

Electrical Parts List

Key No.	Part No.	Description	Key No.	Part No.	Description
C568	403 164 0204	CERAMIC 0.1U Z 25V	C6634	403 164 0204	CERAMIC 0.1U Z 25V
C569	403 164 0204	CERAMIC 0.1U Z 25V	C6642	403 164 0204	CERAMIC 0.1U Z 25V
C571	403 164 0204	CERAMIC 0.1U Z 25V	C6643	403 322 7809	ELECT 220U M 6.3V
C572	403 164 0204	CERAMIC 0.1U Z 25V		403 349 4706	ELECT 220U M 6.3V
C573	403 164 0204	CERAMIC 0.1U Z 25V	C6644	403 164 0204	CERAMIC 0.1U Z 25V
C581	403 164 0204	CERAMIC 0.1U Z 25V	C6652	403 164 0204	CERAMIC 0.1U Z 25V
C582	403 164 0204	CERAMIC 0.1U Z 25V	C6653	403 322 7809	ELECT 220U M 6.3V
C6101	403 164 0204	CERAMIC 0.1U Z 25V		403 349 4706	ELECT 220U M 6.3V
C6121	403 164 0204	CERAMIC 0.1U Z 25V	C6654	403 164 0204	CERAMIC 0.1U Z 25V
C6127	403 155 1302	CERAMIC 150P J 50V	C6662	403 164 0204	CERAMIC 0.1U Z 25V
C6131	403 163 9802	CERAMIC 0.047U Z 25V	C6663	403 322 7809	ELECT 220U M 6.3V
C6141	403 164 0204	CERAMIC 0.1U Z 25V		403 349 4706	ELECT 220U M 6.3V
C6147	403 163 9802	CERAMIC 0.047U Z 25V	C6664	403 164 0204	CERAMIC 0.1U Z 25V
C6151	403 163 9802	CERAMIC 0.047U Z 25V	C6665	403 164 0204	CERAMIC 0.1U Z 25V
C6202	403 164 0204	CERAMIC 0.1U Z 25V	C6672	403 164 0204	CERAMIC 0.1U Z 25V
C6204	403 164 0204	CERAMIC 0.1U Z 25V	C6673	403 322 7809	ELECT 220U M 6.3V
C6211	403 157 3601	CERAMIC 100P J 50V		403 349 4706	ELECT 220U M 6.3V
C6212	403 348 5803	CERAMIC 0.47U K 10V	C6674	403 164 0204	CERAMIC 0.1U Z 25V
C6216	403 157 1904	CERAMIC 10P D 50V	C6675	403 164 0204	CERAMIC 0.1U Z 25V
C6221	403 157 3601	CERAMIC 100P J 50V	C801	403 304 1801	ELECT 100U M 6.3V
C6222	401 105 7909	MT-GLAZE 0.000 ZA 1/16W		403 373 7704	ELECT 100U M 6.3V
C6226	403 157 1904	CERAMIC 10P D 50V	C802	403 164 0204	CERAMIC 0.1U Z 25V
C6241	403 304 1801	ELECT 100U M 6.3V	C811	403 164 0204	CERAMIC 0.1U Z 25V
	403 373 7704	ELECT 100U M 6.3V	C812	403 164 0204	CERAMIC 0.1U Z 25V
C6242	403 164 0204	CERAMIC 0.1U Z 25V	C8121	403 304 1801	ELECT 100U M 6.3V
C6243	403 205 7803	TA-SOLID 2.2U M 16V		403 373 7704	ELECT 100U M 6.3V
C6244	403 205 7803	TA-SOLID 2.2U M 16V	C8122	403 164 0204	CERAMIC 0.1U Z 25V
C6245	403 162 6208	ELECT 1U M 50V	C813	403 164 0204	CERAMIC 0.1U Z 25V
C6246	403 348 5803	CERAMIC 0.47U K 10V	C814	403 164 0204	CERAMIC 0.1U Z 25V
C6247	403 162 6604	ELECT 2.2U M 50V	C841	403 304 2105	ELECT 47U M 6.3V
C6248	403 162 6208	ELECT 1U M 50V	C842	403 164 0204	CERAMIC 0.1U Z 25V
C6249	403 157 3601	CERAMIC 100P J 50V	C843	403 162 4709	ELECT 10U M 16V
C6251	403 164 0204	CERAMIC 0.1U Z 25V		403 335 0309	ELECT 10U M 16V
C6261	403 164 0204	CERAMIC 0.1U Z 25V	C844	403 283 6309	CERAMIC 1U Z 10V
C6265	403 157 3809	CERAMIC 120P J 50V	C846	403 164 0204	CERAMIC 0.1U Z 25V
C6266	403 157 3809	CERAMIC 120P J 50V	C851	403 145 9905	CERAMIC 22P J 50V
C6267	403 157 3809	CERAMIC 120P J 50V	C852	403 145 9905	CERAMIC 22P J 50V
C6268	403 157 3809	CERAMIC 120P J 50V	C9802	403 164 0204	CERAMIC 0.1U Z 25V
C6271	403 164 0204	CERAMIC 0.1U Z 25V	C9803	403 164 0204	CERAMIC 0.1U Z 25V
C6281	403 164 0204	CERAMIC 0.1U Z 25V	C9804	403 164 0204	CERAMIC 0.1U Z 25V
C6601	403 322 7809	ELECT 220U M 6.3V	C9806	403 164 0204	CERAMIC 0.1U Z 25V
	403 349 4706	ELECT 220U M 6.3V	C9811	403 113 3805	CERAMIC 1000P K 50V
C6602	403 164 0204	CERAMIC 0.1U Z 25V	C9812	403 153 9102	CERAMIC 5P C 50V
C6603	403 322 7809	ELECT 220U M 6.3V	C9813	403 164 0204	CERAMIC 0.1U Z 25V
	403 349 4706	ELECT 220U M 6.3V			
C6604	403 164 0204	CERAMIC 0.1U Z 25V	RESISTOR		
C6606	403 322 7809	ELECT 220U M 6.3V	RB1431	645 037 0663	R-NETWORK 22X4 0.063W
	403 349 4706	ELECT 220U M 6.3V		645 033 2210	R-NETWORK 22X4 1/16W
C6607	403 164 0204	CERAMIC 0.1U Z 25V	RB1432	645 037 0663	R-NETWORK 22X4 0.063W
C6611	403 322 7809	ELECT 220U M 6.3V		645 033 2210	R-NETWORK 22X4 1/16W
	403 349 4706	ELECT 220U M 6.3V	RB1433	645 037 0663	R-NETWORK 22X4 0.063W
C6612	403 164 0204	CERAMIC 0.1U Z 25V		645 033 2210	R-NETWORK 22X4 1/16W
C6613	403 280 1604	ELECT 220U M 16V	RB1434	645 037 0663	R-NETWORK 22X4 0.063W
C6614	403 164 0204	CERAMIC 0.1U Z 25V		645 033 2210	R-NETWORK 22X4 1/16W
C6616	403 280 1604	ELECT 220U M 16V	RB1435	645 037 0663	R-NETWORK 22X4 0.063W
C6617	403 280 1604	ELECT 220U M 16V		645 033 2210	R-NETWORK 22X4 1/16W
C6621	403 229 3508	ELECT 100U M 16V	RB1436	645 037 0663	R-NETWORK 22X4 0.063W
	403 335 0408	ELECT 100U M 16V		645 033 2210	R-NETWORK 22X4 1/16W
C6622	403 164 0204	CERAMIC 0.1U Z 25V	RB1441	645 037 0656	R-NETWORK 0X4 0.063W
C6623	403 229 3508	ELECT 100U M 16V		645 027 1519	R-NETWORK 0X4 1/16W
	403 335 0408	ELECT 100U M 16V	RB1442	645 037 0656	R-NETWORK 0X4 0.063W
C6624	403 164 0204	CERAMIC 0.1U Z 25V		645 027 1519	R-NETWORK 0X4 1/16W
C6631	403 229 3508	ELECT 100U M 16V	RB1443	645 037 0656	R-NETWORK 0X4 0.063W
	403 335 0408	ELECT 100U M 16V		645 027 1519	R-NETWORK 0X4 1/16W
C6632	403 164 0204	CERAMIC 0.1U Z 25V	RB1444	645 037 0656	R-NETWORK 0X4 0.063W
C6633	403 322 7809	ELECT 220U M 6.3V		645 027 1519	R-NETWORK 0X4 1/16W
	403 349 4706	ELECT 220U M 6.3V	RB1445	645 037 0656	R-NETWORK 0X4 0.063W

Electrical Parts List

Key No.	Part No.	Description	Key No.	Part No.	Description
	645 027 1519	R-NETWORK 0X4 1/16W	R1104	401 105 4106	MT-GLAZE 3.3K JA 1/16W
RB1446	645 037 0656	R-NETWORK 0X4 0.063W	R1105	401 105 0405	MT-GLAZE 100 JA 1/16W
	645 027 1519	R-NETWORK 0X4 1/16W	R1106	401 105 0405	MT-GLAZE 100 JA 1/16W
RB301	645 020 7822	R-NETWORK 10KX4 0.063W	R1122	401 105 7909	MT-GLAZE 0.000 ZA 1/16W
	645 026 8014	R-NETWORK 10KX4 1/16W	R1123	401 105 3406	MT-GLAZE 27K JA 1/16W
RB302	645 020 7822	R-NETWORK 10KX4 0.063W	R1127	401 105 7909	MT-GLAZE 0.000 ZA 1/16W
	645 026 8014	R-NETWORK 10KX4 1/16W	R1129	401 105 2805	MT-GLAZE 2.2K JA 1/16W
RB303	645 020 7822	R-NETWORK 10KX4 0.063W	R113	401 105 0504	MT-GLAZE 1K JA 1/16W
	645 026 8014	R-NETWORK 10KX4 1/16W	R1131	401 105 3406	MT-GLAZE 27K JA 1/16W
RB304	645 020 7822	R-NETWORK 10KX4 0.063W	R1132	401 105 7503	MT-GLAZE 82K JA 1/16W
	645 026 8014	R-NETWORK 10KX4 1/16W	R1133	401 105 1006	MT-GLAZE 1.2K JA 1/16W
RB305	645 020 7822	R-NETWORK 10KX4 0.063W	R1134	401 105 0504	MT-GLAZE 1K JA 1/16W
	645 026 8014	R-NETWORK 10KX4 1/16W	R1136	401 105 0504	MT-GLAZE 1K JA 1/16W
RB306	645 020 7822	R-NETWORK 10KX4 0.063W	R1137	401 105 0405	MT-GLAZE 100 JA 1/16W
	645 026 8014	R-NETWORK 10KX4 1/16W	R1139	401 105 0504	MT-GLAZE 1K JA 1/16W
RB307	645 020 7822	R-NETWORK 10KX4 0.063W	R114	401 105 6506	MT-GLAZE 680 JA 1/16W
	645 026 8014	R-NETWORK 10KX4 1/16W	R1141	401 105 5905	MT-GLAZE 560 JA 1/16W
RB308	645 020 7822	R-NETWORK 10KX4 0.063W	R1142	401 105 1501	MT-GLAZE 1.5K JA 1/16W
	645 026 8014	R-NETWORK 10KX4 1/16W	R1143	401 105 0504	MT-GLAZE 1K JA 1/16W
RB309	645 020 7822	R-NETWORK 10KX4 0.063W	R1144	401 105 5905	MT-GLAZE 560 JA 1/16W
	645 026 8014	R-NETWORK 10KX4 1/16W	R1145	401 105 1501	MT-GLAZE 1.5K JA 1/16W
RB310	645 020 7822	R-NETWORK 10KX4 0.063W	R1146	401 105 0504	MT-GLAZE 1K JA 1/16W
	645 026 8014	R-NETWORK 10KX4 1/16W	R1147	401 105 5905	MT-GLAZE 560 JA 1/16W
RB311	645 020 7822	R-NETWORK 10KX4 0.063W	R1148	401 105 1501	MT-GLAZE 1.5K JA 1/16W
	645 026 8014	R-NETWORK 10KX4 1/16W	R1149	401 105 0504	MT-GLAZE 1K JA 1/16W
RB312	645 020 7822	R-NETWORK 10KX4 0.063W	R1151	401 105 0405	MT-GLAZE 100 JA 1/16W
	645 026 8014	R-NETWORK 10KX4 1/16W	R1152	401 105 0504	MT-GLAZE 1K JA 1/16W
RB3821	645 020 7822	R-NETWORK 10KX4 0.063W	R1153	401 105 0405	MT-GLAZE 100 JA 1/16W
	645 026 8014	R-NETWORK 10KX4 1/16W	R1154	401 105 0504	MT-GLAZE 1K JA 1/16W
RB411	645 037 0663	R-NETWORK 22X4 0.063W	R1155	401 105 0405	MT-GLAZE 100 JA 1/16W
	645 033 2210	R-NETWORK 22X4 1/16W	R1156	401 105 0504	MT-GLAZE 1K JA 1/16W
RB412	645 037 0663	R-NETWORK 22X4 0.063W	R116	401 105 3307	MT-GLAZE 2.7K JA 1/16W
	645 033 2210	R-NETWORK 22X4 1/16W	R1161	401 105 7909	MT-GLAZE 0.000 ZA 1/16W
RB413	645 037 0663	R-NETWORK 22X4 0.063W	R1162	401 105 0504	MT-GLAZE 1K JA 1/16W
	645 033 2210	R-NETWORK 22X4 1/16W	R121	401 105 7909	MT-GLAZE 0.000 ZA 1/16W
RB414	645 037 0663	R-NETWORK 22X4 0.063W	R123	401 105 7909	MT-GLAZE 0.000 ZA 1/16W
	645 033 2210	R-NETWORK 22X4 1/16W	R1301	401 105 7909	MT-GLAZE 0.000 ZA 1/16W
RB415	645 037 0663	R-NETWORK 22X4 0.063W	R131	401 105 0405	MT-GLAZE 100 JA 1/16W
	645 033 2210	R-NETWORK 22X4 1/16W	R1311	401 105 7909	MT-GLAZE 0.000 ZA 1/16W
RB416	645 037 0663	R-NETWORK 22X4 0.063W	R1312	401 105 7909	MT-GLAZE 0.000 ZA 1/16W
	645 033 2210	R-NETWORK 22X4 1/16W	R1313	401 105 4106	MT-GLAZE 3.3K JA 1/16W
RB501	645 037 3107	R-NETWORK 10X4 0.063W	R132	401 105 0504	MT-GLAZE 1K JA 1/16W
	645 028 5998	R-NETWORK 10X4 1/16W	R133	401 105 0405	MT-GLAZE 100 JA 1/16W
RB502	645 037 3107	R-NETWORK 10X4 0.063W	R134	401 105 0504	MT-GLAZE 1K JA 1/16W
	645 028 5998	R-NETWORK 10X4 1/16W	R1341	401 105 0603	MT-GLAZE 10K JA 1/16W
RB503	645 037 3107	R-NETWORK 10X4 0.063W	R1342	401 105 0603	MT-GLAZE 10K JA 1/16W
	645 028 5998	R-NETWORK 10X4 1/16W	R1344	401 105 0603	MT-GLAZE 10K JA 1/16W
RB531	645 037 3107	R-NETWORK 10X4 0.063W	R1346	401 105 0603	MT-GLAZE 10K JA 1/16W
	645 028 5998	R-NETWORK 10X4 1/16W	R1352	401 105 7909	MT-GLAZE 0.000 ZA 1/16W
RB532	645 037 3107	R-NETWORK 10X4 0.063W	R1353	401 105 0603	MT-GLAZE 10K JA 1/16W
	645 028 5998	R-NETWORK 10X4 1/16W	R1357	401 105 0603	MT-GLAZE 10K JA 1/16W
RB533	645 037 3107	R-NETWORK 10X4 0.063W	R1362	401 113 4402	MT-GLAZE 75 JA 1/16W
	645 028 5998	R-NETWORK 10X4 1/16W	R1371	401 105 2003	MT-GLAZE 1.8K JA 1/16W
RB561	645 037 3107	R-NETWORK 10X4 0.063W	R1372	401 105 4106	MT-GLAZE 3.3K JA 1/16W
	645 028 5998	R-NETWORK 10X4 1/16W	R1373	401 105 7909	MT-GLAZE 0.000 ZA 1/16W
RB562	645 037 3107	R-NETWORK 10X4 0.063W	R1431	401 105 2607	MT-GLAZE 22 JA 1/16W
	645 028 5998	R-NETWORK 10X4 1/16W	R1432	401 105 2607	MT-GLAZE 22 JA 1/16W
RB563	645 037 3107	R-NETWORK 10X4 0.063W	R1433	401 105 2607	MT-GLAZE 22 JA 1/16W
	645 028 5998	R-NETWORK 10X4 1/16W	R1434	401 105 2607	MT-GLAZE 22 JA 1/16W
RB9801	645 021 0365	R-NETWORK 100KX4 0.063W	R1435	401 105 2607	MT-GLAZE 22 JA 1/16W
	645 026 8021	R-NETWORK 100KX4 1/16W	R1436	401 105 2607	MT-GLAZE 22 JA 1/16W
RB9802	645 021 0365	R-NETWORK 100KX4 0.063W	R1441	401 105 7909	MT-GLAZE 0.000 ZA 1/16W
	645 026 8021	R-NETWORK 100KX4 1/16W	R1442	401 105 7909	MT-GLAZE 0.000 ZA 1/16W
R110	401 105 0405	MT-GLAZE 100 JA 1/16W	R1443	401 105 7909	MT-GLAZE 0.000 ZA 1/16W
R1101	401 105 7909	MT-GLAZE 0.000 ZA 1/16W	R1444	401 105 7909	MT-GLAZE 0.000 ZA 1/16W
R1102	401 105 6605	MT-GLAZE 6.8K JA 1/16W	R1445	401 105 7909	MT-GLAZE 0.000 ZA 1/16W
R1103	401 105 6605	MT-GLAZE 6.8K JA 1/16W	R1446	401 105 7909	MT-GLAZE 0.000 ZA 1/16W

Electrical Parts List

Key No.	Part No.	Description	Key No.	Part No.	Description
R152	401 105 8104	MT-GLAZE 56K JA 1/16W	R2106	401 105 0306	MT-GLAZE 10 JA 1/16W
R153	401 105 3406	MT-GLAZE 27K JA 1/16W	R2107	401 105 3901	MT-GLAZE 33 JA 1/16W
R154	401 105 0504	MT-GLAZE 1K JA 1/16W	R2108	401 105 1907	MT-GLAZE 180 JA 1/16W
R156	401 105 2003	MT-GLAZE 1.8K JA 1/16W	R2109	401 105 0306	MT-GLAZE 10 JA 1/16W
R157	401 105 6506	MT-GLAZE 680 JA 1/16W	R211	401 105 7909	MT-GLAZE 0.000 ZA 1/16W
R158	401 105 3307	MT-GLAZE 2.7K JA 1/16W	R2110	401 105 4106	MT-GLAZE 3.3K JA 1/16W
R1581	401 105 0405	MT-GLAZE 100 JA 1/16W	R2111	401 105 4106	MT-GLAZE 3.3K JA 1/16W
R1582	401 105 0405	MT-GLAZE 100 JA 1/16W	R2112	401 105 2805	MT-GLAZE 2.2K JA 1/16W
R1583	401 105 0603	MT-GLAZE 10K JA 1/16W	R2113	401 105 4106	MT-GLAZE 3.3K JA 1/16W
R1584	401 105 0603	MT-GLAZE 10K JA 1/16W	R2117	401 105 7909	MT-GLAZE 0.000 ZA 1/16W
R1586	401 105 0603	MT-GLAZE 10K JA 1/16W	R2118	401 105 7909	MT-GLAZE 0.000 ZA 1/16W
R1587	401 105 0405	MT-GLAZE 100 JA 1/16W	R2119	401 105 0405	MT-GLAZE 100 JA 1/16W
R1588	401 105 0405	MT-GLAZE 100 JA 1/16W	R212	401 105 7909	MT-GLAZE 0.000 ZA 1/16W
R1589	401 105 0405	MT-GLAZE 100 JA 1/16W	R2121	401 105 0405	MT-GLAZE 100 JA 1/16W
R159	401 105 0504	MT-GLAZE 1K JA 1/16W	R2123	401 105 5301	MT-GLAZE 4.7K JA 1/16W
R1591	401 105 7404	MT-GLAZE 8.2K JA 1/16W	R2124	401 105 8104	MT-GLAZE 56K JA 1/16W
R1592	401 105 7404	MT-GLAZE 8.2K JA 1/16W	R2125	401 105 7909	MT-GLAZE 0.000 ZA 1/16W
R1593	401 105 7404	MT-GLAZE 8.2K JA 1/16W	R2126	401 105 5905	MT-GLAZE 560 JA 1/16W
R171	401 105 7503	MT-GLAZE 82K JA 1/16W	R2128	401 105 7909	MT-GLAZE 0.000 ZA 1/16W
R172	401 105 3406	MT-GLAZE 27K JA 1/16W	R213	401 105 2003	MT-GLAZE 1.8K JA 1/16W
R173	401 105 0504	MT-GLAZE 1K JA 1/16W	R2131	401 105 5301	MT-GLAZE 4.7K JA 1/16W
R174	401 105 2003	MT-GLAZE 1.8K JA 1/16W	R214	401 105 2003	MT-GLAZE 1.8K JA 1/16W
R176	401 105 6506	MT-GLAZE 680 JA 1/16W	R216	401 105 7909	MT-GLAZE 0.000 ZA 1/16W
R177	401 105 3307	MT-GLAZE 2.7K JA 1/16W	R2161	401 105 0405	MT-GLAZE 100 JA 1/16W
R178	401 105 0504	MT-GLAZE 1K JA 1/16W	R2162	401 105 0405	MT-GLAZE 100 JA 1/16W
R1801	401 105 0405	MT-GLAZE 100 JA 1/16W	R217	401 105 7909	MT-GLAZE 0.000 ZA 1/16W
R1802	401 105 0405	MT-GLAZE 100 JA 1/16W	R218	401 105 0603	MT-GLAZE 10K JA 1/16W
R1816	401 105 5301	MT-GLAZE 4.7K JA 1/16W	R2181	401 105 0405	MT-GLAZE 100 JA 1/16W
R1817	401 105 5301	MT-GLAZE 4.7K JA 1/16W	R2182	401 105 0405	MT-GLAZE 100 JA 1/16W
R1818	401 105 5301	MT-GLAZE 4.7K JA 1/16W	R219	401 105 4106	MT-GLAZE 3.3K JA 1/16W
R1819	401 105 5301	MT-GLAZE 4.7K JA 1/16W	R221	401 105 5103	MT-GLAZE 47 JA 1/16W
R1831	401 105 0405	MT-GLAZE 100 JA 1/16W	R222	401 105 0405	MT-GLAZE 100 JA 1/16W
R1832	401 105 0405	MT-GLAZE 100 JA 1/16W	R2501	401 148 6006	MT-GLAZE 2.2 JA 1/16W
R1833	401 105 7909	MT-GLAZE 0.000 ZA 1/16W	R2502	401 148 6006	MT-GLAZE 2.2 JA 1/16W
R1834	401 105 7909	MT-GLAZE 0.000 ZA 1/16W	R2506	401 105 2805	MT-GLAZE 2.2K JA 1/16W
R1836	401 105 0405	MT-GLAZE 100 JA 1/16W	R2507	401 105 4601	MT-GLAZE 3.9K JA 1/16W
R1837	401 105 0405	MT-GLAZE 100 JA 1/16W	R2508	401 105 4700	MT-GLAZE 39K JA 1/16W
R1851	401 105 0405	MT-GLAZE 100 JA 1/16W	R2509	401 105 0504	MT-GLAZE 1K JA 1/16W
R1852	401 105 0405	MT-GLAZE 100 JA 1/16W	R251	401 105 2003	MT-GLAZE 1.8K JA 1/16W
R1853	401 105 0603	MT-GLAZE 10K JA 1/16W	R2511	401 148 6006	MT-GLAZE 2.2 JA 1/16W
R1855	401 105 0603	MT-GLAZE 10K JA 1/16W	R2512	401 148 6006	MT-GLAZE 2.2 JA 1/16W
R1861	401 105 0405	MT-GLAZE 100 JA 1/16W	R2516	401 105 2805	MT-GLAZE 2.2K JA 1/16W
R1862	401 105 7909	MT-GLAZE 0.000 ZA 1/16W	R2517	401 105 4601	MT-GLAZE 3.9K JA 1/16W
R1863	401 105 7909	MT-GLAZE 0.000 ZA 1/16W	R2518	401 105 4700	MT-GLAZE 39K JA 1/16W
R1864	401 105 7909	MT-GLAZE 0.000 ZA 1/16W	R2519	401 105 0504	MT-GLAZE 1K JA 1/16W
R1876	401 105 0405	MT-GLAZE 100 JA 1/16W	R252	401 105 4106	MT-GLAZE 3.3K JA 1/16W
R1877	401 105 0405	MT-GLAZE 100 JA 1/16W	R2521	401 148 6006	MT-GLAZE 2.2 JA 1/16W
R1878	401 105 0405	MT-GLAZE 100 JA 1/16W	R2522	401 148 6006	MT-GLAZE 2.2 JA 1/16W
R1879	401 105 0504	MT-GLAZE 1K JA 1/16W	R2526	401 105 2805	MT-GLAZE 2.2K JA 1/16W
R1881	401 105 0405	MT-GLAZE 100 JA 1/16W	R2527	401 105 4601	MT-GLAZE 3.9K JA 1/16W
R1882	401 105 0405	MT-GLAZE 100 JA 1/16W	R2528	401 105 4700	MT-GLAZE 39K JA 1/16W
R1883	401 105 0405	MT-GLAZE 100 JA 1/16W	R2529	401 105 0504	MT-GLAZE 1K JA 1/16W
R1884	401 105 4502	MT-GLAZE 390 JA 1/16W	R253	401 105 0405	MT-GLAZE 100 JA 1/16W
R1886	401 105 4502	MT-GLAZE 390 JA 1/16W	R2533	401 105 7909	MT-GLAZE 0.000 ZA 1/16W
R1887	401 105 0603	MT-GLAZE 10K JA 1/16W	R2534	401 105 4205	MT-GLAZE 33K JA 1/16W
R1888	401 105 7909	MT-GLAZE 0.000 ZA 1/16W	R2536	401 105 0603	MT-GLAZE 10K JA 1/16W
R1889	401 105 0504	MT-GLAZE 1K JA 1/16W	R2537	401 105 0702	MT-GLAZE 100K JA 1/16W
R1891	401 105 0504	MT-GLAZE 1K JA 1/16W	R2538	401 105 0702	MT-GLAZE 100K JA 1/16W
R1892	401 105 0603	MT-GLAZE 10K JA 1/16W	R2539	401 105 0702	MT-GLAZE 100K JA 1/16W
R204	401 105 7909	MT-GLAZE 0.000 ZA 1/16W	R2541	401 105 7909	MT-GLAZE 0.000 ZA 1/16W
R205	401 105 7909	MT-GLAZE 0.000 ZA 1/16W	R2542	401 105 7909	MT-GLAZE 0.000 ZA 1/16W
R207	401 105 7909	MT-GLAZE 0.000 ZA 1/16W	R2543	401 105 7909	MT-GLAZE 0.000 ZA 1/16W
R2101	401 105 7909	MT-GLAZE 0.000 ZA 1/16W	R2544	401 105 7909	MT-GLAZE 0.000 ZA 1/16W
R2102	401 105 7909	MT-GLAZE 0.000 ZA 1/16W	R2545	401 105 7909	MT-GLAZE 0.000 ZA 1/16W
R2103	401 105 3901	MT-GLAZE 33 JA 1/16W	R2546	401 105 7909	MT-GLAZE 0.000 ZA 1/16W
R2104	401 105 1907	MT-GLAZE 180 JA 1/16W	R2547	401 105 7909	MT-GLAZE 0.000 ZA 1/16W
R2105	401 105 4106	MT-GLAZE 3.3K JA 1/16W	R2548	401 105 7909	MT-GLAZE 0.000 ZA 1/16W

Electrical Parts List

Key No.	Part No.	Description	Key No.	Part No.	Description
R2549	401 105 7909	MT-GLAZE 0.000 ZA 1/16W	R3111	401 105 0504	MT-GLAZE 1K JA 1/16W
R2550	401 105 7909	MT-GLAZE 0.000 ZA 1/16W	R3112	401 105 0504	MT-GLAZE 1K JA 1/16W
R2551	401 105 7909	MT-GLAZE 0.000 ZA 1/16W	R3113	401 105 1907	MT-GLAZE 180 JA 1/16W
R2552	401 105 7909	MT-GLAZE 0.000 ZA 1/16W	R3114	401 158 4108	MT-GLAZE 4.7 JA 1/16W
R2553	401 105 7909	MT-GLAZE 0.000 ZA 1/16W	R3115	401 112 8005	MT-GLAZE 5.6 JA 1/16W
R2554	401 105 7909	MT-GLAZE 0.000 ZA 1/16W	R312	401 105 0603	MT-GLAZE 10K JA 1/16W
R2555	401 105 7909	MT-GLAZE 0.000 ZA 1/16W	R3121	401 105 7909	MT-GLAZE 0.000 ZA 1/16W
R2556	401 105 7909	MT-GLAZE 0.000 ZA 1/16W	R3122	401 105 3901	MT-GLAZE 33 JA 1/16W
R2557	401 105 7909	MT-GLAZE 0.000 ZA 1/16W	R3123	401 105 0504	MT-GLAZE 1K JA 1/16W
R2558	401 105 7909	MT-GLAZE 0.000 ZA 1/16W	R3126	401 105 1402	MT-GLAZE 150 JA 1/16W
R2559	401 105 7909	MT-GLAZE 0.000 ZA 1/16W	R3127	401 105 1402	MT-GLAZE 150 JA 1/16W
R2560	401 105 7909	MT-GLAZE 0.000 ZA 1/16W	R3131	401 105 7909	MT-GLAZE 0.000 ZA 1/16W
R2561	401 105 7909	MT-GLAZE 0.000 ZA 1/16W	R3132	401 105 3901	MT-GLAZE 33 JA 1/16W
R2562	401 105 7909	MT-GLAZE 0.000 ZA 1/16W	R3133	401 105 0504	MT-GLAZE 1K JA 1/16W
R2571	401 105 0405	MT-GLAZE 100 JA 1/16W	R3136	401 105 1402	MT-GLAZE 150 JA 1/16W
R2572	401 105 0405	MT-GLAZE 100 JA 1/16W	R3137	401 105 1402	MT-GLAZE 150 JA 1/16W
R2576	401 105 0504	MT-GLAZE 1K JA 1/16W	R314	401 105 7909	MT-GLAZE 0.000 ZA 1/16W
R2577	401 105 0504	MT-GLAZE 1K JA 1/16W	R3141	401 105 7909	MT-GLAZE 0.000 ZA 1/16W
R2581	401 105 2003	MT-GLAZE 1.8K JA 1/16W	R3142	401 105 3901	MT-GLAZE 33 JA 1/16W
R2584	401 105 4601	MT-GLAZE 3.9K JA 1/16W	R3143	401 105 0504	MT-GLAZE 1K JA 1/16W
R2591	401 035 4108	MT-GLAZE 0.000 ZA 1/8W	R3146	401 105 1402	MT-GLAZE 150 JA 1/16W
R2806	401 105 7909	MT-GLAZE 0.000 ZA 1/16W	R3147	401 105 1402	MT-GLAZE 150 JA 1/16W
R2807	401 105 0405	MT-GLAZE 100 JA 1/16W	R316	401 105 0603	MT-GLAZE 10K JA 1/16W
R2821	401 105 5202	MT-GLAZE 470 JA 1/16W	R3163	401 105 0405	MT-GLAZE 100 JA 1/16W
R2822	401 105 5202	MT-GLAZE 470 JA 1/16W	R3164	401 105 0603	MT-GLAZE 10K JA 1/16W
R2823	401 105 5202	MT-GLAZE 470 JA 1/16W	R3165	401 105 3307	MT-GLAZE 2.7K JA 1/16W
R2824	401 105 0603	MT-GLAZE 10K JA 1/16W	R3168	401 105 0504	MT-GLAZE 1K JA 1/16W
R2825	401 105 0603	MT-GLAZE 10K JA 1/16W	R3169	401 105 0504	MT-GLAZE 1K JA 1/16W
R2826	401 105 0603	MT-GLAZE 10K JA 1/16W	R317	401 105 0603	MT-GLAZE 10K JA 1/16W
R2841	401 105 7909	MT-GLAZE 0.000 ZA 1/16W	R3171	401 105 0504	MT-GLAZE 1K JA 1/16W
R2842	401 105 7909	MT-GLAZE 0.000 ZA 1/16W	R3172	401 105 3307	MT-GLAZE 2.7K JA 1/16W
R2843	401 105 7909	MT-GLAZE 0.000 ZA 1/16W	R3173	401 105 0504	MT-GLAZE 1K JA 1/16W
R2844	401 105 7909	MT-GLAZE 0.000 ZA 1/16W	R3174	401 105 5301	MT-GLAZE 4.7K JA 1/16W
R2851	401 105 0504	MT-GLAZE 1K JA 1/16W	R3176	401 105 0504	MT-GLAZE 1K JA 1/16W
R2852	401 105 0504	MT-GLAZE 1K JA 1/16W	R3177	401 105 7909	MT-GLAZE 0.000 ZA 1/16W
R2853	401 105 2003	MT-GLAZE 1.8K JA 1/16W	R3181	401 105 0603	MT-GLAZE 10K JA 1/16W
R2854	401 105 5301	MT-GLAZE 4.7K JA 1/16W	R3182	401 105 0603	MT-GLAZE 10K JA 1/16W
R2856	401 105 0504	MT-GLAZE 1K JA 1/16W	R3184	401 105 7909	MT-GLAZE 0.000 ZA 1/16W
R2857	401 105 0504	MT-GLAZE 1K JA 1/16W	R3185	401 105 0504	MT-GLAZE 1K JA 1/16W
R2858	401 105 5301	MT-GLAZE 4.7K JA 1/16W	R319	401 105 7909	MT-GLAZE 0.000 ZA 1/16W
R2861	401 105 0504	MT-GLAZE 1K JA 1/16W	R322	401 105 7909	MT-GLAZE 0.000 ZA 1/16W
R2862	401 105 5301	MT-GLAZE 4.7K JA 1/16W	R323	401 105 7909	MT-GLAZE 0.000 ZA 1/16W
R2866	401 105 4502	MT-GLAZE 390 JA 1/16W	R324	401 105 0603	MT-GLAZE 10K JA 1/16W
R2867	401 105 4502	MT-GLAZE 390 JA 1/16W	R328	401 105 7909	MT-GLAZE 0.000 ZA 1/16W
R2868	401 105 5301	MT-GLAZE 4.7K JA 1/16W	R329	401 105 7909	MT-GLAZE 0.000 ZA 1/16W
R2877	401 105 2904	MT-GLAZE 22K JA 1/16W	R331	401 105 7909	MT-GLAZE 0.000 ZA 1/16W
R2881	401 105 7909	MT-GLAZE 0.000 ZA 1/16W	R332	401 105 2607	MT-GLAZE 22 JA 1/16W
R2882	401 105 7909	MT-GLAZE 0.000 ZA 1/16W	R333	401 105 2607	MT-GLAZE 22 JA 1/16W
R2883	401 105 7909	MT-GLAZE 0.000 ZA 1/16W	R334	401 105 2607	MT-GLAZE 22 JA 1/16W
R2884	401 105 7909	MT-GLAZE 0.000 ZA 1/16W	R336	401 105 7909	MT-GLAZE 0.000 ZA 1/16W
R2887	401 105 0603	MT-GLAZE 10K JA 1/16W	R338	401 105 7909	MT-GLAZE 0.000 ZA 1/16W
R2889	401 105 7909	MT-GLAZE 0.000 ZA 1/16W	R344	401 105 7909	MT-GLAZE 0.000 ZA 1/16W
R2891	401 105 0603	MT-GLAZE 10K JA 1/16W	R346	401 105 0603	MT-GLAZE 10K JA 1/16W
R301	401 105 0603	MT-GLAZE 10K JA 1/16W	R348	401 105 7909	MT-GLAZE 0.000 ZA 1/16W
R302	401 105 7909	MT-GLAZE 0.000 ZA 1/16W	R349	401 105 0603	MT-GLAZE 10K JA 1/16W
R306	401 105 0603	MT-GLAZE 10K JA 1/16W	R352	401 105 7909	MT-GLAZE 0.000 ZA 1/16W
R308	401 105 7909	MT-GLAZE 0.000 ZA 1/16W	R3531	401 105 7909	MT-GLAZE 0.000 ZA 1/16W
R3100	401 105 7305	MT-GLAZE 820 JA 1/16W	R3532	401 105 7909	MT-GLAZE 0.000 ZA 1/16W
R3101	401 105 6001	MT-GLAZE 5.6K JA 1/16W	R3534	401 105 0306	MT-GLAZE 10 JA 1/16W
R3102	401 105 6001	MT-GLAZE 5.6K JA 1/16W	R3535	401 105 0306	MT-GLAZE 10 JA 1/16W
R3103	401 105 7305	MT-GLAZE 820 JA 1/16W	R3537	401 105 0306	MT-GLAZE 10 JA 1/16W
R3104	401 105 1006	MT-GLAZE 1.2K JA 1/16W	R3538	401 105 0306	MT-GLAZE 10 JA 1/16W
R3105	401 105 1006	MT-GLAZE 1.2K JA 1/16W	R3539	401 105 0306	MT-GLAZE 10 JA 1/16W
R3106	401 105 2904	MT-GLAZE 22K JA 1/16W	R354	401 105 0603	MT-GLAZE 10K JA 1/16W
R3107	401 105 6001	MT-GLAZE 5.6K JA 1/16W	R3540	401 105 0306	MT-GLAZE 10 JA 1/16W
R3108	401 105 1006	MT-GLAZE 1.2K JA 1/16W	R3541	401 105 0306	MT-GLAZE 10 JA 1/16W
R3109	401 105 7305	MT-GLAZE 820 JA 1/16W	R3543	401 105 0306	MT-GLAZE 10 JA 1/16W

Electrical Parts List

Key No.	Part No.	Description	Key No.	Part No.	Description
R3544	401 105 0306	MT-GLAZE 10 JA 1/16W	R4106	401 105 8104	MT-GLAZE 56K JA 1/16W
R3545	401 105 0306	MT-GLAZE 10 JA 1/16W	R4107	401 105 8104	MT-GLAZE 56K JA 1/16W
R3546	401 105 0306	MT-GLAZE 10 JA 1/16W	R4108	401 105 0405	MT-GLAZE 100 JA 1/16W
R3547	401 105 7909	MT-GLAZE 0.000 ZA 1/16W	R4109	401 105 0405	MT-GLAZE 100 JA 1/16W
R3552	401 105 2805	MT-GLAZE 2.2K JA 1/16W	R411	401 105 2607	MT-GLAZE 22 JA 1/16W
R3553	401 105 0504	MT-GLAZE 1K JA 1/16W	R4111	401 105 0405	MT-GLAZE 100 JA 1/16W
R3556	401 105 7909	MT-GLAZE 0.000 ZA 1/16W	R4112	401 105 0603	MT-GLAZE 10K JA 1/16W
R3558	401 105 7909	MT-GLAZE 0.000 ZA 1/16W	R4113	401 105 0603	MT-GLAZE 10K JA 1/16W
R356	401 105 0603	MT-GLAZE 10K JA 1/16W	R4114	401 105 0603	MT-GLAZE 10K JA 1/16W
R3561	401 105 7909	MT-GLAZE 0.000 ZA 1/16W	R4116	401 105 6001	MT-GLAZE 5.6K JA 1/16W
R3562	401 105 7909	MT-GLAZE 0.000 ZA 1/16W	R4117	401 105 2805	MT-GLAZE 2.2K JA 1/16W
R3563	401 105 0306	MT-GLAZE 10 JA 1/16W	R4118	401 114 0908	MT-GLAZE 3.3M JA 1/16W
R3564	401 105 0306	MT-GLAZE 10 JA 1/16W	R4119	401 105 0603	MT-GLAZE 10K JA 1/16W
R3565	401 105 0306	MT-GLAZE 10 JA 1/16W	R412	401 105 2607	MT-GLAZE 22 JA 1/16W
R3567	401 105 0306	MT-GLAZE 10 JA 1/16W	R4121	401 105 0603	MT-GLAZE 10K JA 1/16W
R3568	401 105 0306	MT-GLAZE 10 JA 1/16W	R4123	401 105 7909	MT-GLAZE 0.000 ZA 1/16W
R3569	401 105 0306	MT-GLAZE 10 JA 1/16W	R4124	401 105 7909	MT-GLAZE 0.000 ZA 1/16W
R3570	401 105 0306	MT-GLAZE 10 JA 1/16W	R4127	401 105 7909	MT-GLAZE 0.000 ZA 1/16W
R3571	401 105 0306	MT-GLAZE 10 JA 1/16W	R4128	401 105 0405	MT-GLAZE 100 JA 1/16W
R3573	401 105 0306	MT-GLAZE 10 JA 1/16W	R4129	401 105 0405	MT-GLAZE 100 JA 1/16W
R3574	401 105 0306	MT-GLAZE 10 JA 1/16W	R413	401 105 2607	MT-GLAZE 22 JA 1/16W
R3575	401 105 0306	MT-GLAZE 10 JA 1/16W	R4131	401 105 0405	MT-GLAZE 100 JA 1/16W
R3576	401 105 0306	MT-GLAZE 10 JA 1/16W	R4133	401 105 7909	MT-GLAZE 0.000 ZA 1/16W
R3577	401 105 7909	MT-GLAZE 0.000 ZA 1/16W	R4134	401 105 0405	MT-GLAZE 100 JA 1/16W
R358	401 105 0603	MT-GLAZE 10K JA 1/16W	R4136	401 105 0405	MT-GLAZE 100 JA 1/16W
R3581	401 105 2805	MT-GLAZE 2.2K JA 1/16W	R4137	401 105 0405	MT-GLAZE 100 JA 1/16W
R3582	401 105 0504	MT-GLAZE 1K JA 1/16W	R4138	401 105 0405	MT-GLAZE 100 JA 1/16W
R359	401 105 0603	MT-GLAZE 10K JA 1/16W	R4139	401 217 4100	MT-GLAZE 22K FA 1/16W
R3591	401 105 1501	MT-GLAZE 1.5K JA 1/16W	R414	401 105 2607	MT-GLAZE 22 JA 1/16W
R3592	401 105 5301	MT-GLAZE 4.7K JA 1/16W	R415	401 105 2607	MT-GLAZE 22 JA 1/16W
R3593	401 105 5301	MT-GLAZE 4.7K JA 1/16W	R416	401 105 2607	MT-GLAZE 22 JA 1/16W
R3594	401 105 0603	MT-GLAZE 10K JA 1/16W	R4174	401 105 7909	MT-GLAZE 0.000 ZA 1/16W
R361	401 105 7909	MT-GLAZE 0.000 ZA 1/16W	R4176	401 105 0405	MT-GLAZE 100 JA 1/16W
R362	401 105 0603	MT-GLAZE 10K JA 1/16W	R4177	401 105 0504	MT-GLAZE 1K JA 1/16W
R364	401 105 2003	MT-GLAZE 1.8K JA 1/16W	R4178	401 105 2805	MT-GLAZE 2.2K JA 1/16W
R366	401 105 2003	MT-GLAZE 1.8K JA 1/16W	R4179	401 105 1006	MT-GLAZE 1.2K JA 1/16W
R368	401 105 7909	MT-GLAZE 0.000 ZA 1/16W	R4181	401 105 0405	MT-GLAZE 100 JA 1/16W
R371	401 105 7909	MT-GLAZE 0.000 ZA 1/16W	R4182	401 105 3000	MT-GLAZE 220K JA 1/16W
R3801	401 105 0405	MT-GLAZE 100 JA 1/16W	R4183	401 105 7909	MT-GLAZE 0.000 ZA 1/16W
R3802	401 105 7909	MT-GLAZE 0.000 ZA 1/16W	R4196	401 105 7909	MT-GLAZE 0.000 ZA 1/16W
R3803	401 105 0603	MT-GLAZE 10K JA 1/16W	R4198	401 105 7909	MT-GLAZE 0.000 ZA 1/16W
R3804	401 105 0405	MT-GLAZE 100 JA 1/16W	R4199	401 105 7909	MT-GLAZE 0.000 ZA 1/16W
R3806	401 105 0405	MT-GLAZE 100 JA 1/16W	R420	401 105 2003	MT-GLAZE 1.8K JA 1/16W
R381	401 105 0603	MT-GLAZE 10K JA 1/16W	R422	401 105 4106	MT-GLAZE 3.3K JA 1/16W
R3821	401 105 0603	MT-GLAZE 10K JA 1/16W	R423	401 105 3901	MT-GLAZE 33 JA 1/16W
R3822	401 105 4205	MT-GLAZE 33K JA 1/16W	R424	401 105 3901	MT-GLAZE 33 JA 1/16W
R3823	401 105 7909	MT-GLAZE 0.000 ZA 1/16W	R426	401 105 3901	MT-GLAZE 33 JA 1/16W
R383	401 105 7909	MT-GLAZE 0.000 ZA 1/16W	R427	401 105 3901	MT-GLAZE 33 JA 1/16W
R3831	401 105 0405	MT-GLAZE 100 JA 1/16W	R428	401 105 3901	MT-GLAZE 33 JA 1/16W
R3832	401 105 0405	MT-GLAZE 100 JA 1/16W	R429	401 105 3901	MT-GLAZE 33 JA 1/16W
R3835	401 105 0504	MT-GLAZE 1K JA 1/16W	R431	401 105 3901	MT-GLAZE 33 JA 1/16W
R384	401 105 0603	MT-GLAZE 10K JA 1/16W	R432	401 105 3901	MT-GLAZE 33 JA 1/16W
R3841	401 105 7909	MT-GLAZE 0.000 ZA 1/16W	R433	401 105 3901	MT-GLAZE 33 JA 1/16W
R3842	401 105 0603	MT-GLAZE 10K JA 1/16W	R434	401 105 3901	MT-GLAZE 33 JA 1/16W
R3843	401 105 0603	MT-GLAZE 10K JA 1/16W	R436	401 105 3901	MT-GLAZE 33 JA 1/16W
R3844	401 105 0405	MT-GLAZE 100 JA 1/16W	R437	401 105 3901	MT-GLAZE 33 JA 1/16W
R3846	401 105 0603	MT-GLAZE 10K JA 1/16W	R438	401 105 3901	MT-GLAZE 33 JA 1/16W
R3847	401 105 0603	MT-GLAZE 10K JA 1/16W	R439	401 105 3901	MT-GLAZE 33 JA 1/16W
R3848	401 105 0603	MT-GLAZE 10K JA 1/16W	R441	401 105 3901	MT-GLAZE 33 JA 1/16W
R387	401 105 0603	MT-GLAZE 10K JA 1/16W	R442	401 105 3901	MT-GLAZE 33 JA 1/16W
R388	401 105 0603	MT-GLAZE 10K JA 1/16W	R443	401 105 3901	MT-GLAZE 33 JA 1/16W
R391	401 105 0603	MT-GLAZE 10K JA 1/16W	R444	401 105 3901	MT-GLAZE 33 JA 1/16W
R392	401 105 0603	MT-GLAZE 10K JA 1/16W	R446	401 105 3901	MT-GLAZE 33 JA 1/16W
R393	401 105 0603	MT-GLAZE 10K JA 1/16W	R447	401 105 3901	MT-GLAZE 33 JA 1/16W
R394	401 105 0603	MT-GLAZE 10K JA 1/16W	R448	401 105 3901	MT-GLAZE 33 JA 1/16W
R4103	401 105 5202	MT-GLAZE 470 JA 1/16W	R449	401 105 3901	MT-GLAZE 33 JA 1/16W
R4104	401 217 5404	MT-GLAZE 47K FA 1/16W	R451	401 105 3901	MT-GLAZE 33 JA 1/16W

Electrical Parts List

Key No.	Part No.	Description	Key No.	Part No.	Description
R457	401 105 3901	MT-GLAZE 33 JA 1/16W	R5288	401 105 5103	MT-GLAZE 47 JA 1/16W
R458	401 105 3901	MT-GLAZE 33 JA 1/16W	R5291	401 105 1402	MT-GLAZE 150 JA 1/16W
R459	401 105 3901	MT-GLAZE 33 JA 1/16W	R5294	401 105 3901	MT-GLAZE 33 JA 1/16W
R461	401 105 7909	MT-GLAZE 0.000 ZA 1/16W	R5296	401 105 0504	MT-GLAZE 1K JA 1/16W
R462	401 105 7909	MT-GLAZE 0.000 ZA 1/16W	R5297	401 105 7404	MT-GLAZE 8.2K JA 1/16W
R463	401 105 7909	MT-GLAZE 0.000 ZA 1/16W	R5298	401 105 5103	MT-GLAZE 47 JA 1/16W
R464	401 105 0603	MT-GLAZE 10K JA 1/16W	R534	401 105 7909	MT-GLAZE 0.000 ZA 1/16W
R466	401 105 7909	MT-GLAZE 0.000 ZA 1/16W	R537	401 105 0504	MT-GLAZE 1K JA 1/16W
R467	401 105 7909	MT-GLAZE 0.000 ZA 1/16W	R551	401 105 6605	MT-GLAZE 6.8K JA 1/16W
R468	401 105 7909	MT-GLAZE 0.000 ZA 1/16W	R553	401 105 6001	MT-GLAZE 5.6K JA 1/16W
R469	401 105 7909	MT-GLAZE 0.000 ZA 1/16W	R554	401 105 7404	MT-GLAZE 8.2K JA 1/16W
R471	401 105 7909	MT-GLAZE 0.000 ZA 1/16W	R564	401 105 7909	MT-GLAZE 0.000 ZA 1/16W
R472	401 105 7909	MT-GLAZE 0.000 ZA 1/16W	R567	401 105 0504	MT-GLAZE 1K JA 1/16W
R473	401 105 7909	MT-GLAZE 0.000 ZA 1/16W	R581	401 105 6605	MT-GLAZE 6.8K JA 1/16W
R504	401 105 7909	MT-GLAZE 0.000 ZA 1/16W	R583	401 105 6001	MT-GLAZE 5.6K JA 1/16W
R507	401 105 0504	MT-GLAZE 1K JA 1/16W	R584	401 105 7404	MT-GLAZE 8.2K JA 1/16W
R5201	401 105 0405	MT-GLAZE 100 JA 1/16W	R6102	401 105 7909	MT-GLAZE 0.000 ZA 1/16W
R5202	401 105 0405	MT-GLAZE 100 JA 1/16W	R6104	401 105 7909	MT-GLAZE 0.000 ZA 1/16W
R5203	401 105 0405	MT-GLAZE 100 JA 1/16W	R6106	401 105 7909	MT-GLAZE 0.000 ZA 1/16W
R521	401 105 6605	MT-GLAZE 6.8K JA 1/16W	R6122	401 105 7909	MT-GLAZE 0.000 ZA 1/16W
R5211	401 105 0306	MT-GLAZE 10 JA 1/16W	R6123	401 105 0405	MT-GLAZE 100 JA 1/16W
R5212	401 105 0306	MT-GLAZE 10 JA 1/16W	R6126	401 105 0702	MT-GLAZE 100K JA 1/16W
R5213	401 105 0306	MT-GLAZE 10 JA 1/16W	R6127	401 105 0702	MT-GLAZE 100K JA 1/16W
R5214	401 105 1501	MT-GLAZE 1.5K JA 1/16W	R6128	401 105 0702	MT-GLAZE 100K JA 1/16W
R5215	401 105 1501	MT-GLAZE 1.5K JA 1/16W	R6129	401 105 2102	MT-GLAZE 18K JA 1/16W
R5216	401 105 1501	MT-GLAZE 1.5K JA 1/16W	R6130	401 105 1600	MT-GLAZE 15K JA 1/16W
R5217	401 105 1501	MT-GLAZE 1.5K JA 1/16W	R6131	401 105 1105	MT-GLAZE 12K JA 1/16W
R5218	401 105 1501	MT-GLAZE 1.5K JA 1/16W	R6133	401 105 0405	MT-GLAZE 100 JA 1/16W
R5219	401 105 1501	MT-GLAZE 1.5K JA 1/16W	R6136	401 105 7909	MT-GLAZE 0.000 ZA 1/16W
R5221	401 113 4402	MT-GLAZE 75 JA 1/16W	R6137	401 105 0603	MT-GLAZE 10K JA 1/16W
R5222	401 105 0900	MT-GLAZE 120 JA 1/16W	R6138	401 105 0504	MT-GLAZE 1K JA 1/16W
R5223	401 113 4402	MT-GLAZE 75 JA 1/16W	R6142	401 105 7909	MT-GLAZE 0.000 ZA 1/16W
R5224	401 105 0900	MT-GLAZE 120 JA 1/16W	R6143	401 105 0405	MT-GLAZE 100 JA 1/16W
R5225	401 113 4402	MT-GLAZE 75 JA 1/16W	R6148	401 105 0405	MT-GLAZE 100 JA 1/16W
R5226	401 105 0900	MT-GLAZE 120 JA 1/16W	R6149	401 105 1105	MT-GLAZE 12K JA 1/16W
R523	401 105 6001	MT-GLAZE 5.6K JA 1/16W	R6151	401 105 1105	MT-GLAZE 12K JA 1/16W
R5231	401 105 0405	MT-GLAZE 100 JA 1/16W	R6153	401 105 0405	MT-GLAZE 100 JA 1/16W
R5232	401 105 0603	MT-GLAZE 10K JA 1/16W	R6156	401 105 7909	MT-GLAZE 0.000 ZA 1/16W
R5233	401 105 0405	MT-GLAZE 100 JA 1/16W	R6157	401 105 7909	MT-GLAZE 0.000 ZA 1/16W
R5234	401 105 0603	MT-GLAZE 10K JA 1/16W	R6211	401 105 0504	MT-GLAZE 1K JA 1/16W
R5235	401 105 0405	MT-GLAZE 100 JA 1/16W	R6216	401 203 9805	MT-GLAZE 2.7K FA 1/16W
R5236	401 105 0603	MT-GLAZE 10K JA 1/16W	R6217	401 203 9805	MT-GLAZE 2.7K FA 1/16W
R524	401 105 7404	MT-GLAZE 8.2K JA 1/16W	R6218	401 105 0405	MT-GLAZE 100 JA 1/16W
R5241	401 105 7909	MT-GLAZE 0.000 ZA 1/16W	R6221	401 105 0504	MT-GLAZE 1K JA 1/16W
R5243	401 105 7909	MT-GLAZE 0.000 ZA 1/16W	R6226	401 203 9805	MT-GLAZE 2.7K FA 1/16W
R5245	401 105 7909	MT-GLAZE 0.000 ZA 1/16W	R6227	401 105 4601	MT-GLAZE 3.9K JA 1/16W
R5248	401 105 7909	MT-GLAZE 0.000 ZA 1/16W	R6228	401 105 0405	MT-GLAZE 100 JA 1/16W
R5251	401 105 0504	MT-GLAZE 1K JA 1/16W	R6231	401 105 7909	MT-GLAZE 0.000 ZA 1/16W
R5252	401 105 0504	MT-GLAZE 1K JA 1/16W	R6232	401 105 7909	MT-GLAZE 0.000 ZA 1/16W
R5253	401 105 0504	MT-GLAZE 1K JA 1/16W	R6237	401 105 0405	MT-GLAZE 100 JA 1/16W
R5254	401 105 0504	MT-GLAZE 1K JA 1/16W	R6241	401 105 8005	MT-GLAZE 1M JA 1/16W
R5255	401 105 0504	MT-GLAZE 1K JA 1/16W	R6242	401 105 4601	MT-GLAZE 3.9K JA 1/16W
R5256	401 105 0504	MT-GLAZE 1K JA 1/16W	R6243	401 105 7909	MT-GLAZE 0.000 ZA 1/16W
R5257	401 105 7909	MT-GLAZE 0.000 ZA 1/16W	R6244	401 105 7909	MT-GLAZE 0.000 ZA 1/16W
R5258	401 105 7909	MT-GLAZE 0.000 ZA 1/16W	R6251	401 105 7909	MT-GLAZE 0.000 ZA 1/16W
R5259	401 105 7909	MT-GLAZE 0.000 ZA 1/16W	R6252	401 105 7909	MT-GLAZE 0.000 ZA 1/16W
R5261	401 105 0405	MT-GLAZE 100 JA 1/16W	R6253	401 105 7909	MT-GLAZE 0.000 ZA 1/16W
R5262	401 105 7909	MT-GLAZE 0.000 ZA 1/16W	R6254	401 105 7909	MT-GLAZE 0.000 ZA 1/16W
R5271	401 105 1402	MT-GLAZE 150 JA 1/16W	R6271	401 105 7909	MT-GLAZE 0.000 ZA 1/16W
R5274	401 105 3901	MT-GLAZE 33 JA 1/16W	R6272	401 105 7909	MT-GLAZE 0.000 ZA 1/16W
R5276	401 105 0504	MT-GLAZE 1K JA 1/16W	R6273	401 105 5103	MT-GLAZE 47 JA 1/16W
R5277	401 105 7404	MT-GLAZE 8.2K JA 1/16W	R6274	401 105 5103	MT-GLAZE 47 JA 1/16W
R5278	401 105 5103	MT-GLAZE 47 JA 1/16W	R6281	401 105 7909	MT-GLAZE 0.000 ZA 1/16W
R5281	401 105 1402	MT-GLAZE 150 JA 1/16W	R6283	401 105 7909	MT-GLAZE 0.000 ZA 1/16W
R5284	401 105 3901	MT-GLAZE 33 JA 1/16W	△ R6601	402 083 5109	FUSIBLE RES 5.6 JH 1/4W
R5286	401 105 0504	MT-GLAZE 1K JA 1/16W	△ R6606	402 080 7007	FUSIBLE RES 1.8 JH 1/4W
R5287	401 105 7404	MT-GLAZE 8.2K JA 1/16W	△ R6607	402 080 7007	FUSIBLE RES 1.8 JH 1/4W

Electrical Parts List

Key No.	Part No.	Description	Key No.	Part No.	Description
D2842	407 187 8209	ZENER DIODE UDZ12B-TE-17	RESISTOR		
D2843	407 187 8209	ZENER DIODE UDZ12B-TE-17	R4881	401 105 0306	MT-GLAZE 10 JA 1/16W
D2844	407 187 8209	ZENER DIODE UDZ12B-TE-17	R4882	401 105 0306	MT-GLAZE 10 JA 1/16W
D3111	407 149 0807	DIODE 1SS355-TE-17	R4884	401 105 0603	MT-GLAZE 10K JA 1/16W
D3112	407 149 0807	DIODE 1SS355-TE-17	ACCESSORIES		
D3161	407 149 0807	DIODE 1SS355-TE-17		645 054 3111	CABLE,MOUSE PS/2
D3171	407 149 0807	DIODE 1SS355-TE-17		645 054 3128	CABLE,MOUSE PS/2
D3591	407 149 0807	DIODE 1SS355-TE-17		645 039 7202	CABLE,MOUSE PS/2
D3801	407 149 0807	DIODE 1SS355-TE-17		645 052 0440	ASSY,REMOCON CXLB
D3802	407 149 0807	DIODE 1SS355-TE-17		610 283 4918	RC-BATTERY LID-CXFK
D3821	407 179 1706	ZENER DIODE UDZ5.1B-TE-17		610 298 8147	OWNER'S MANUAL-MM8B
D3831	407 149 0807	DIODE 1SS355-TE-17		610 293 1556	CARRY BAG-MS6A
D6126	407 149 0807	DIODE 1SS355-TE-17		645 030 6624	CABLE,INTERFACE VGA
D6127	407 149 0807	DIODE 1SS355-TE-17	△ AC CORD	645 054 1162	CORD,POWER-3.0MK
D6131	407 149 0807	DIODE 1SS355-TE-17			
D6132	407 149 0807	DIODE 1SS355-TE-17			
D6146	407 149 0807	DIODE 1SS355-TE-17			
D6151	407 149 0807	DIODE 1SS355-TE-17			
D6211	407 149 0807	DIODE 1SS355-TE-17			
D6212	407 149 0807	DIODE 1SS355-TE-17			
D6213	407 149 0807	DIODE 1SS355-TE-17			
D6214	407 149 0807	DIODE 1SS355-TE-17			
D6223	407 149 0807	DIODE 1SS355-TE-17			
D6224	407 149 0807	DIODE 1SS355-TE-17			
D6602	407 149 0807	DIODE 1SS355-TE-17			
D6606	407 149 0807	DIODE 1SS355-TE-17			
D6611	407 149 0807	DIODE 1SS355-TE-17			
D6621	407 149 0807	DIODE 1SS355-TE-17			
D6631	407 149 0807	DIODE 1SS355-TE-17			
D6641	407 149 0807	DIODE 1SS355-TE-17			
D6642	407 149 0807	DIODE 1SS355-TE-17			
D6661	407 149 0807	DIODE 1SS355-TE-17			
D6662	407 149 0807	DIODE 1SS355-TE-17			
D801	407 149 0807	DIODE 1SS355-TE-17			
D802	407 149 0807	DIODE 1SS355-TE-17			
D8122	407 149 0807	DIODE 1SS355-TE-17			
D8126	407 201 2701	DIODE RB051L-40-TE25			
D856	407 149 0807	DIODE 1SS355-TE-17			
D857	407 149 0807	DIODE 1SS355-TE-17			
MISCELLANEOUS					
X1101	645 047 1568	OSC,CRYSTAL 16.200MHZ			
X1351	645 047 6587	OSC,CRYSTAL 26.000MHZ			
X1361	645 047 6846	OSC,CRYSTAL 24.000MHZ			
X3821	645 021 1218	OSC,CERAMIC 8.00MHZ			
	645 037 5187	OSC,CERAMIC 8.00MHZ			
X3841	645 021 1218	OSC,CERAMIC 8.00MHZ			
	645 037 5187	OSC,CERAMIC 8.00MHZ			
X851	645 030 5436	OSC,CRYSTAL 12.288MHZ			
X9811	645 035 8906	OSC,CRYSTAL 48MHZ			
TEMP BOARD					
610 297 1873 ASSY,PWB,TEMP ME8A					
1AA0B10C3710B					
INTEGRATED CIRCUIT					
IC4881	409 481 8602	IC LM76CHMX-5			
CAPACITOR					
C4881	403 205 7803	TA-SOLID 2.2U M 16V			
C4882	403 164 0204	CERAMIC 0.1U Z 25V			
C4883	403 157 3809	CERAMIC 120P J 50V			
C4884	403 155 1609	CERAMIC 33P J 50V			

Electrical Parts List

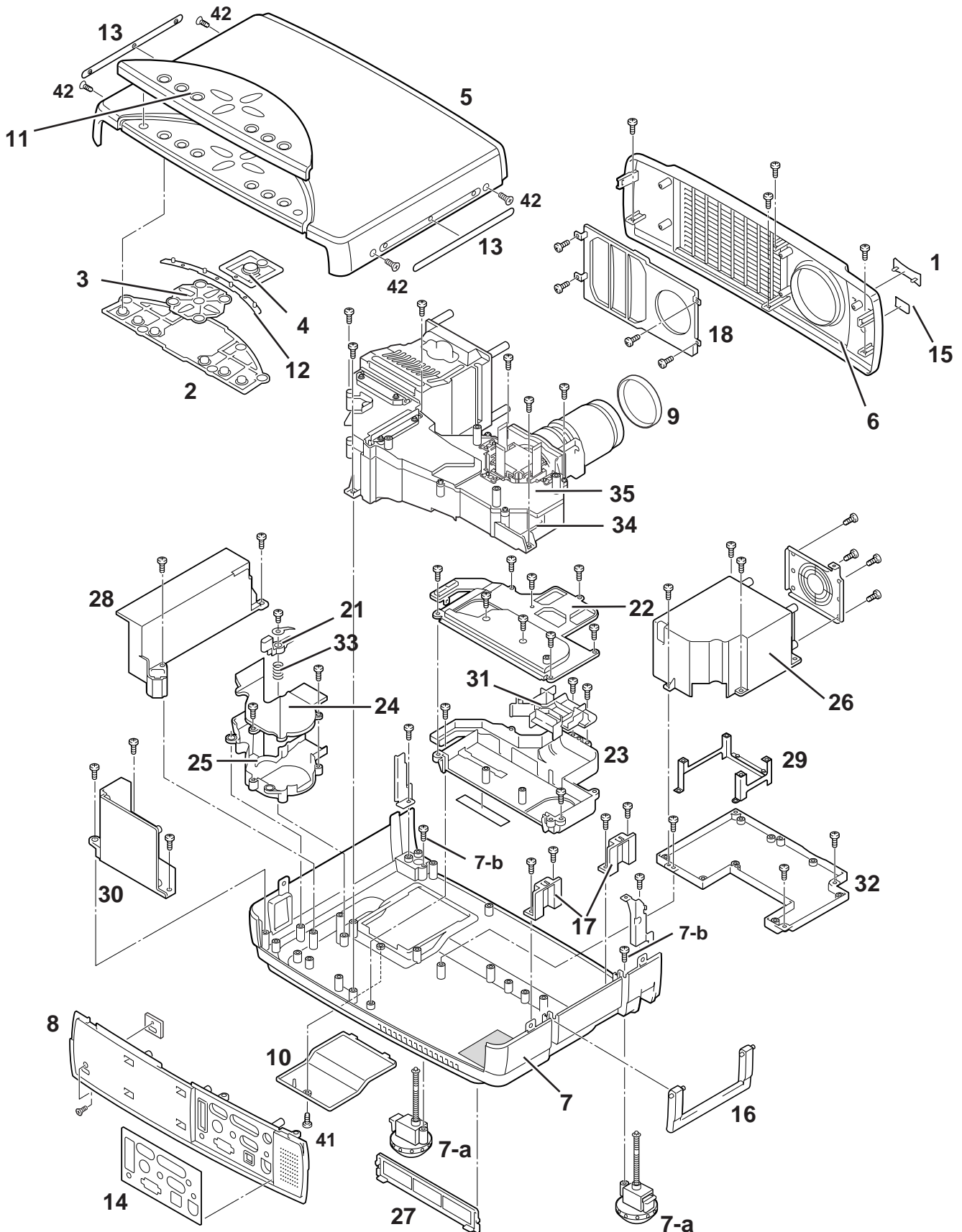
Key No.	Part No.	Description	Key No.	Part No.	Description

Mechanical Parts List

MM8-NB3E00

Note: Parts order must contain Chassis No., Part No., and Descriptions.

● CABINET PARTS

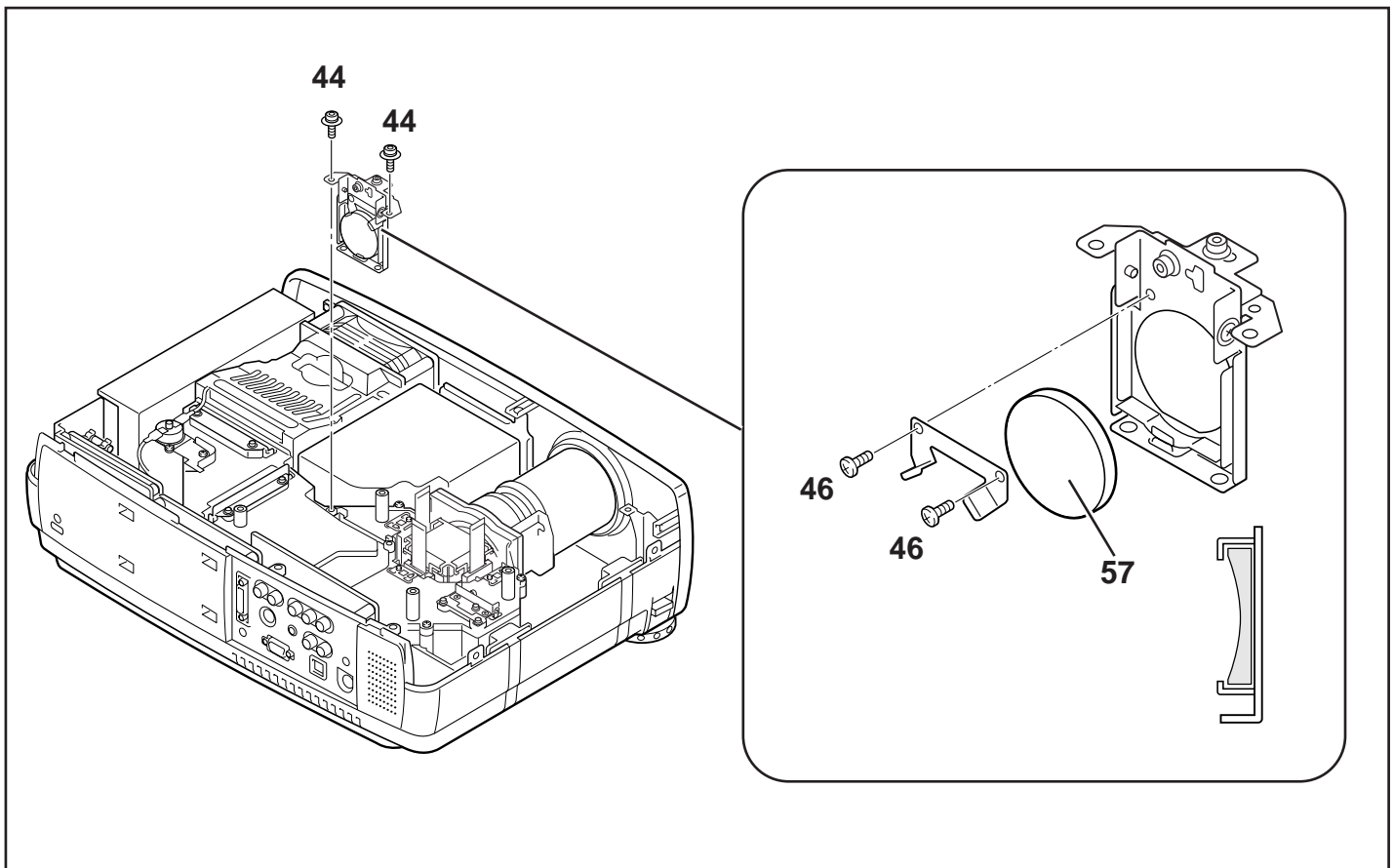
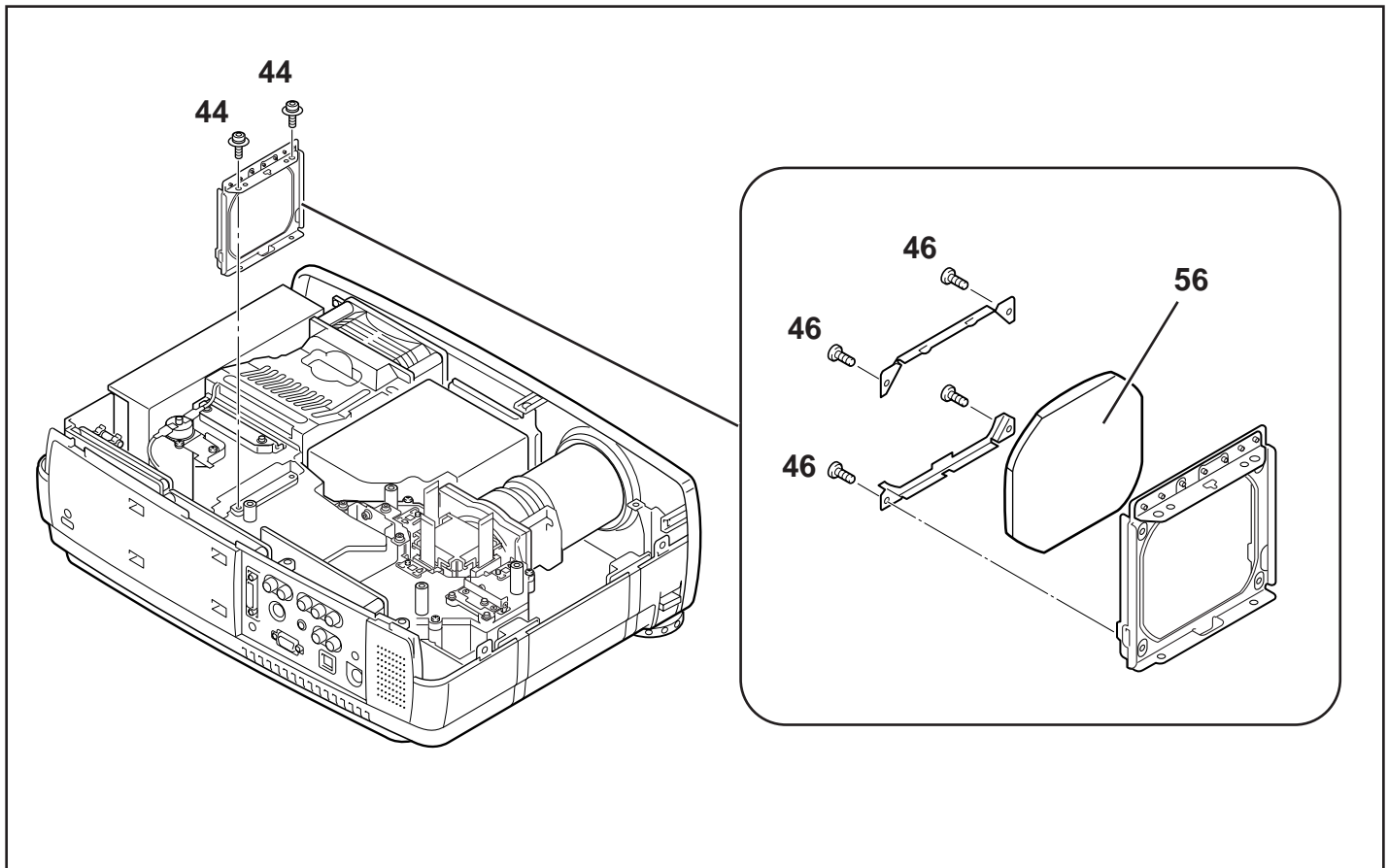


Mechanical Parts List

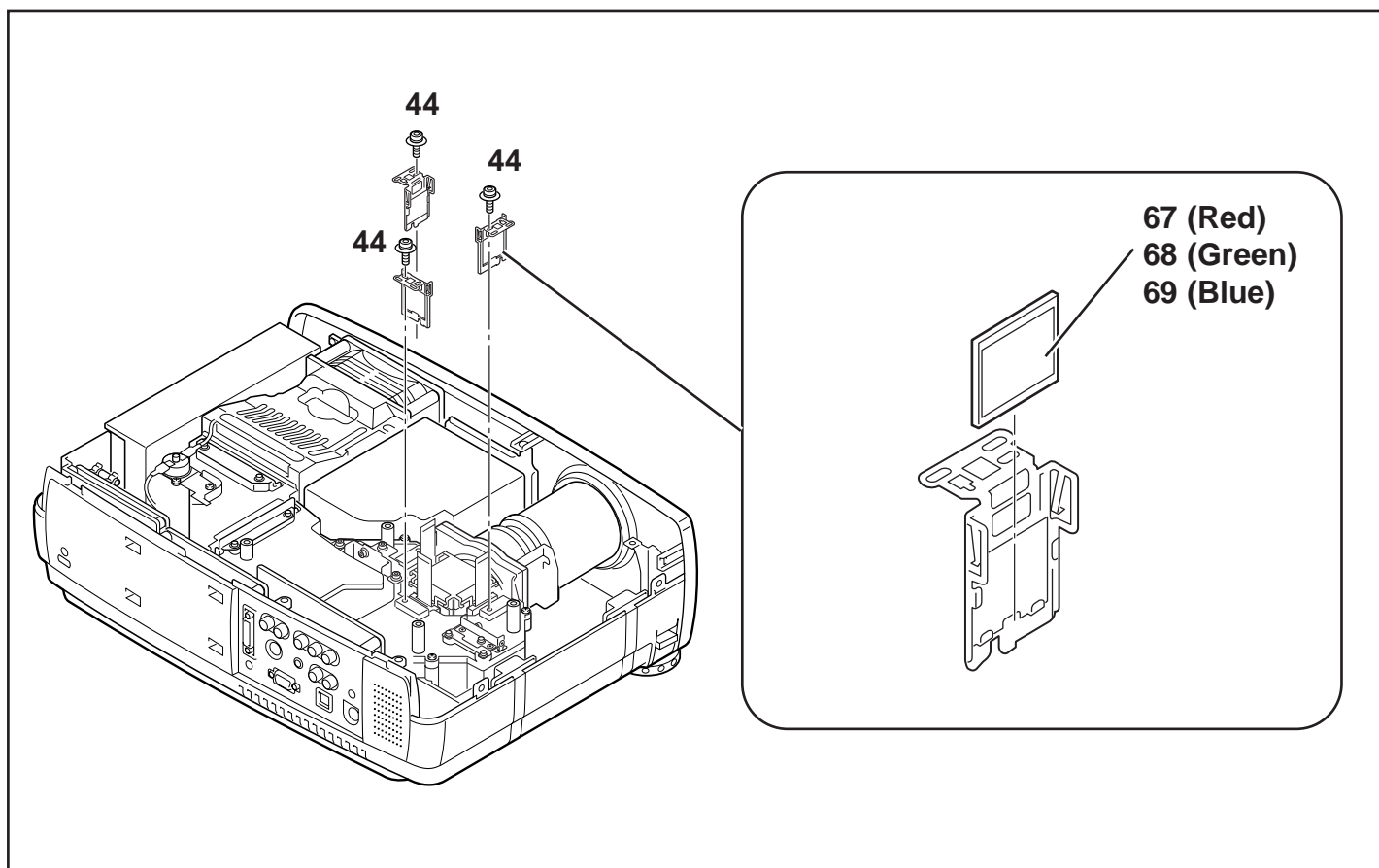
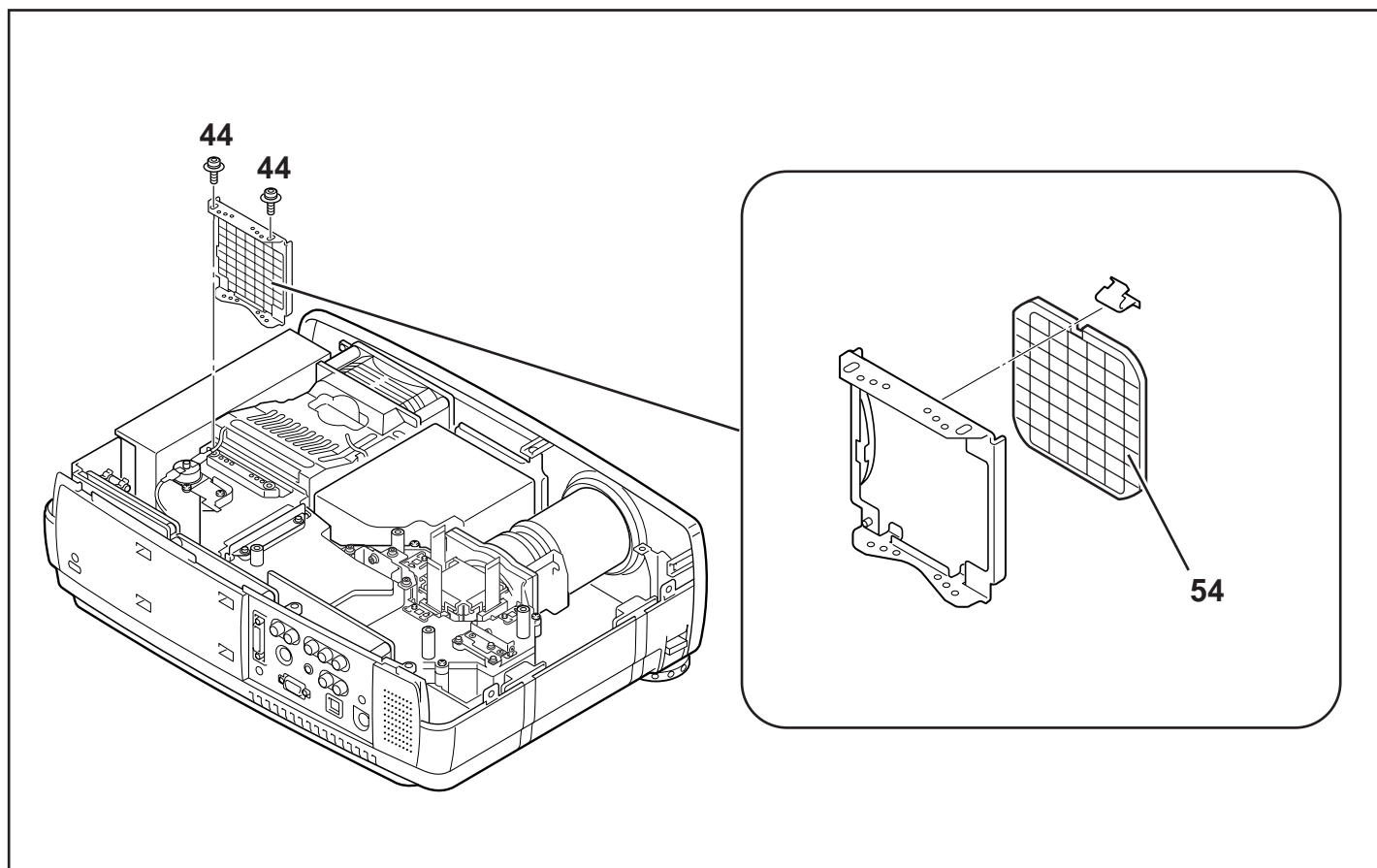
Key No.	Part No.	Description	Key No.	Part No.	Description
CABINET PARTS			OPTICAL PARTS		
1	610 281 4323	BADGE EIKI-MA6B	51	645 046 8483	ASSY,PRISM(PBS)
2	610 292 6972	BUTTON CONTROL-MS6B	or	645 049 7896	PRISM(PBS)
3	610 292 6996	BUTTON ZOOM-MS6B	52	645 047 0226	ASSY,LENS,PROJECTION
4	610 292 7016	BUTTON POWER-MS6B			(Including Key No. 52-a)
5	610 298 7751	CABINET TOP-MM8B	52-a	645 047 6129	MOTOR,LENS(F,Z) DC 0.2W
6	610 292 7139	CABINET FRONT-MS6B	53	610 296 7180	ASSY,LCD PNL/PRISM-MT6A
7	610 295 8317	COMPL,CABINET BOTTOM-MS6B			(Including Key No. 53-a, b, and c)
		(Including Key No. 7-a and b)	53-a	645 048 1161	POLARIZED GLASS(OUT/R)
7-a	610 292 6941	ASSY,STAND LEG-MS6B	53-b	645 048 1178	POLARIZED GLASS(OUT/G)
7-b	411 025 6500	SCR S-TPG BIN 3X8	53-c	645 048 1185	POLARIZED GLASS(OUT/B)
8	610 297 2450	CABINET BACK-MD8B	54	645 051 8898	LENS,INTEGRATOR (IN)
9	610 292 6019	CAP LNS-MS6A	or	645 051 7600	LENS,INTEGRATOR (IN)
10	610 292 7238	COVER LMP-MS6B	or	645 046 8049	LENS,INTEGRATOR (IN)
11	610 292 7276	COVER CABI TOP-MS6B	55	645 046 8056	LENS,INTEGRATOR (OUT)
12	610 292 7306	DEC LED-MS6A	56	645 046 8087	LENS,CONDENSER (IN)
13	610 294 1548	DEC SASH-MS6A	or	645 051 1318	LENS,CONDENSER (IN)
14	610 280 4379	DEC RC SHEET F-MA6A	57	645 046 8094	LENS,CONDENSER (OUT)
15	610 297 2597	DEC AV SHEET-MD8B	or	645 051 1325	LENS,CONDENSER (OUT)
16	610 292 7382	HANDLE-MS6B	58	645 046 8100	LENS,CONDENSER
17	610 292 5753	HOLDER HANDLE-MS6A	or	645 051 1332	LENS,CONDENSER
18	610 296 6565	MOUNTING DUCT FR-MS6B	59	645 046 8117	LENS,CONDENSER (R)
			or	645 051 1349	LENS,CONDENSER (R)
			60	645 046 8124	LENS,RELAY (IN)
			or	645 051 1356	LENS,RELAY (IN)
			61	645 046 8131	LENS,RELAY (OUT)
			or	645 051 1363	LENS,RELAY (OUT)
			62	645 050 2040	LENS,CONDENSER (B)
			63	645 047 1797	MIRROR(W-COLD)
			64	645 047 1803	MIRROR(B)
			65	645 047 1810	MIRROR(R)
			66	645 046 8513	OPTICAL FILTER(UV CUT)
			67	645 048 1130	POLARIZED GLASS(IN/R)
			68	645 048 1147	POLARIZED GLASS(IN/G)
			69	645 048 1154	POLARIZED GLASS(IN/B)
			70	645 047 1933	DICHROIC MIRROR (B)
			71	645 047 1940	DICHROIC MIRROR (G)
CHASSIS PARTS					
21	610 294 1760	ARM SW-MS6A			
22	610 292 6040	COVER DUCT TOP-MS6A			
23	610 292 6064	COVER DUCT BTM-MS6A			
24	610 292 6088	COVER DUCT LMP PWB TOP-MS			
25	610 292 6095	COVER DUCT LMP PWB BTM-MS			
26	610 292 6101	COVER MAIN POW-MS6A			
27	610 292 6125	FILTER BASE A-MS6A			
28	610 292 6217	HOLDER LMP PWB-MS6A			
29	610 294 5249	HOLDER POWER PCB A-MS6A			
30	610 292 5760	MOUNTING SW-MS6A			
31	610 297 3150	MOUNTING DUCT-MD8A			
32	610 292 6408	MOUNTING MAIN POWER-MS6A			
33	610 294 4501	SPRING INT LOCK-MS6A			
34	610 292 6590	OPTICAL BASE BTM-MS6A			
35	610 292 6606	OPTICAL BASE TOP-MS6A			
SCREWS					
41	411 001 8801	SCR BIN 3X6			
42	411 052 9604	SCR OVL 3X6			
43	412 058 5409	SPECIAL SCREW			
44	411 174 9308	BOLT HEX-SCT+SW+W 2.5X6			
45	411 001 8900	SCR BIN 3X8			
46	411 002 4901	SCR PAN 2X4			

Optical Parts List

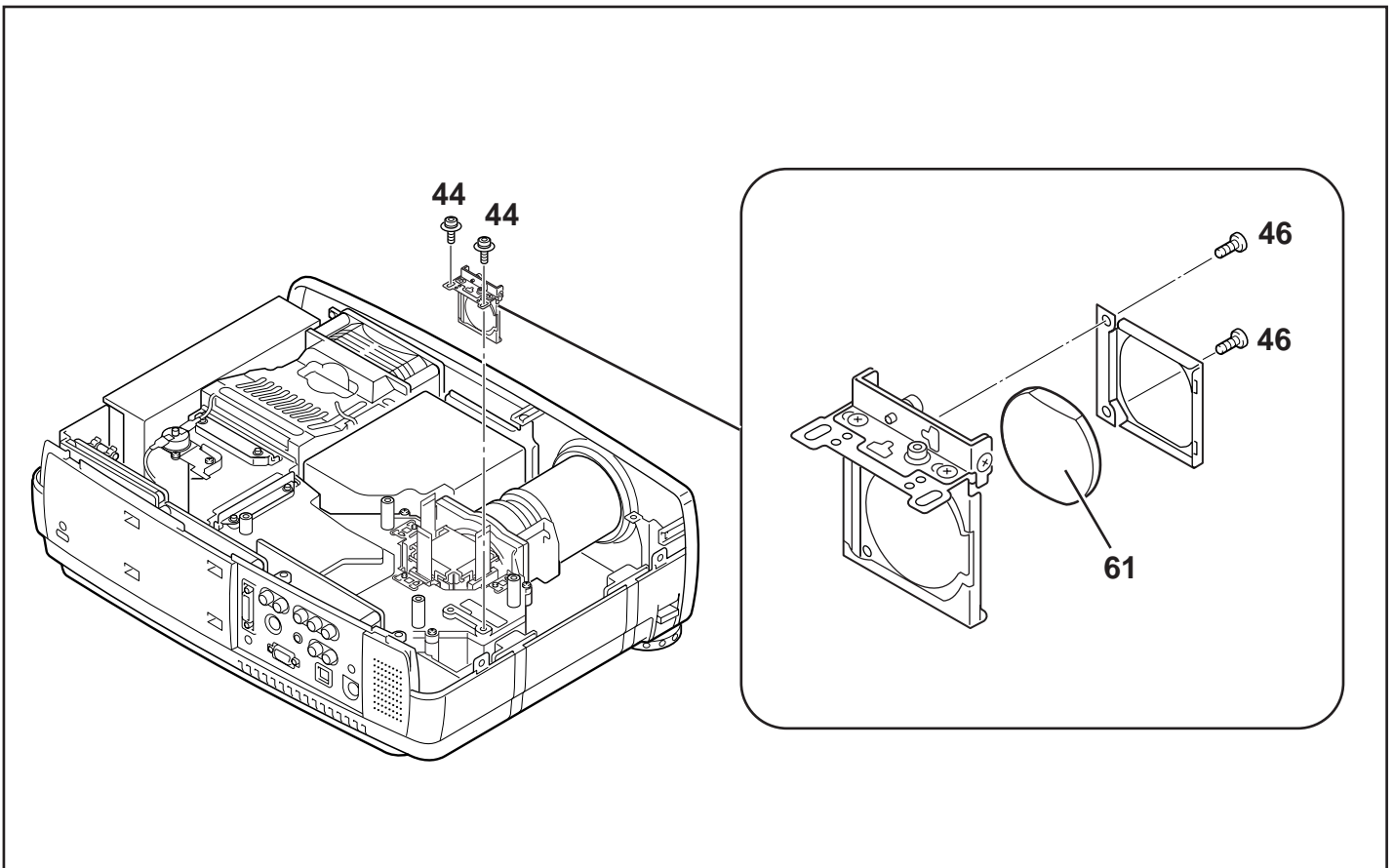
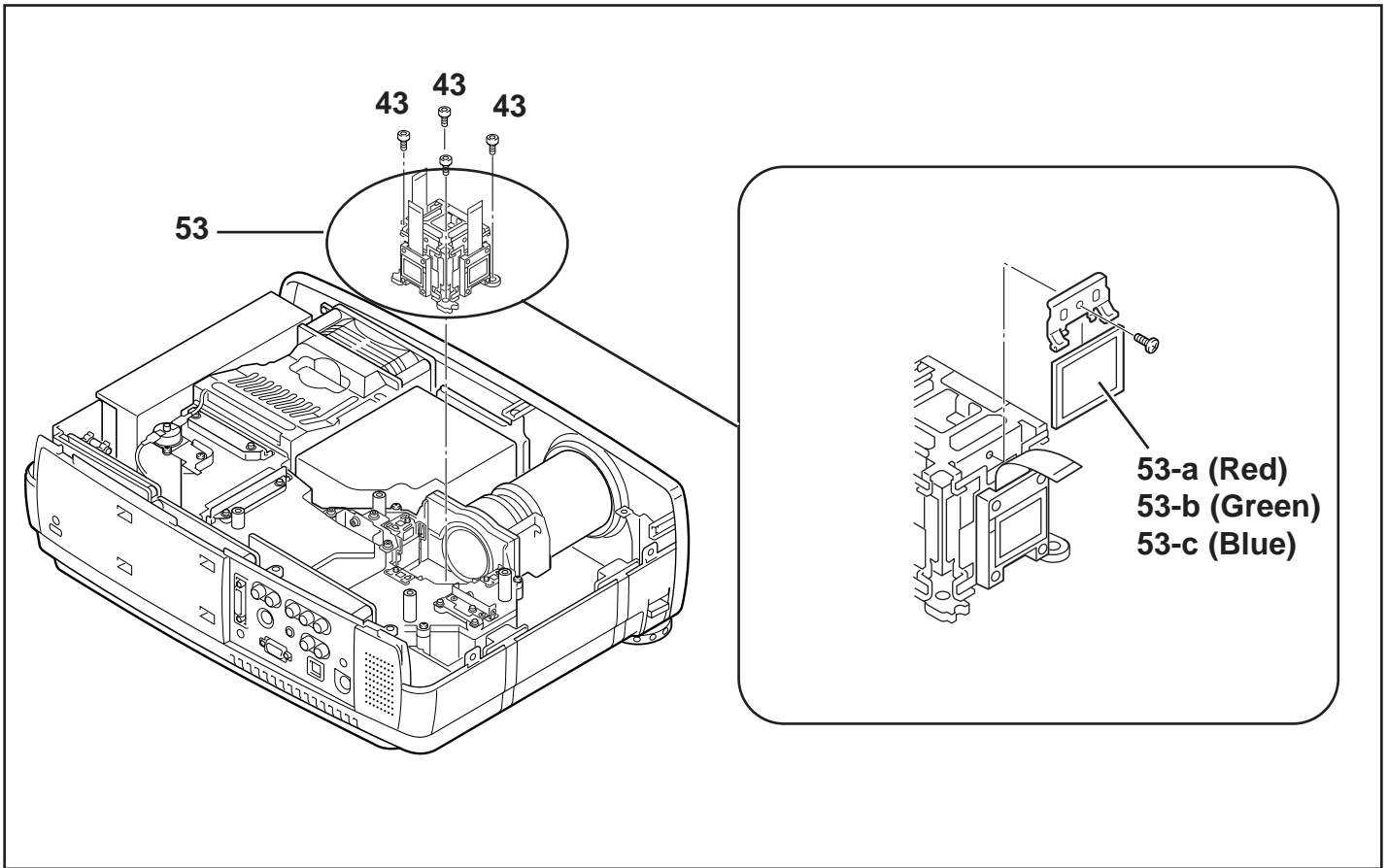
MM8-NB3E00



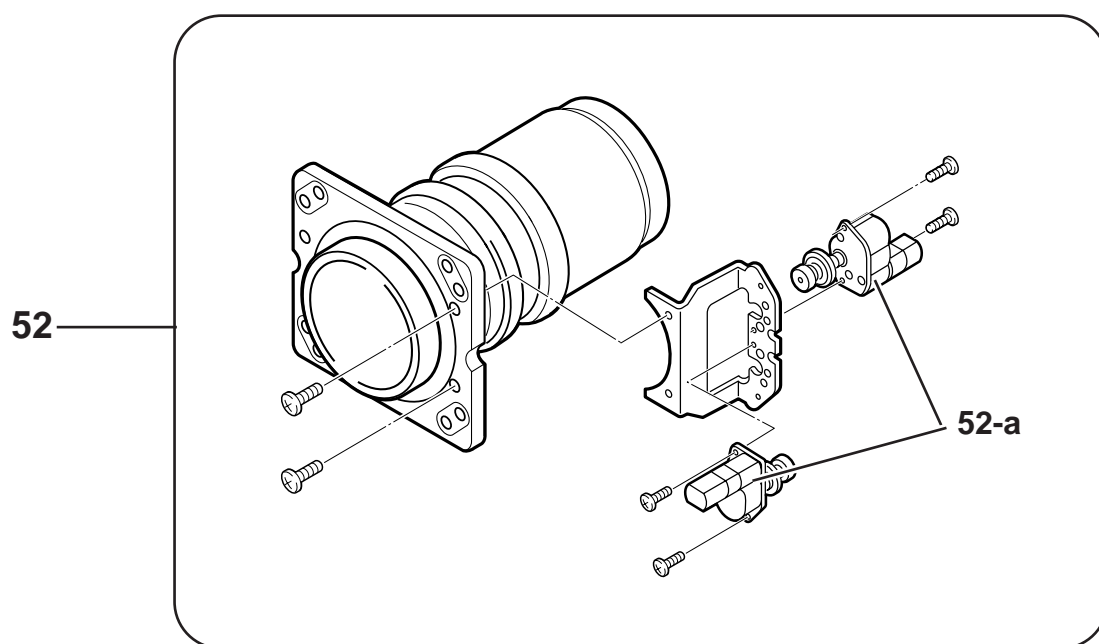
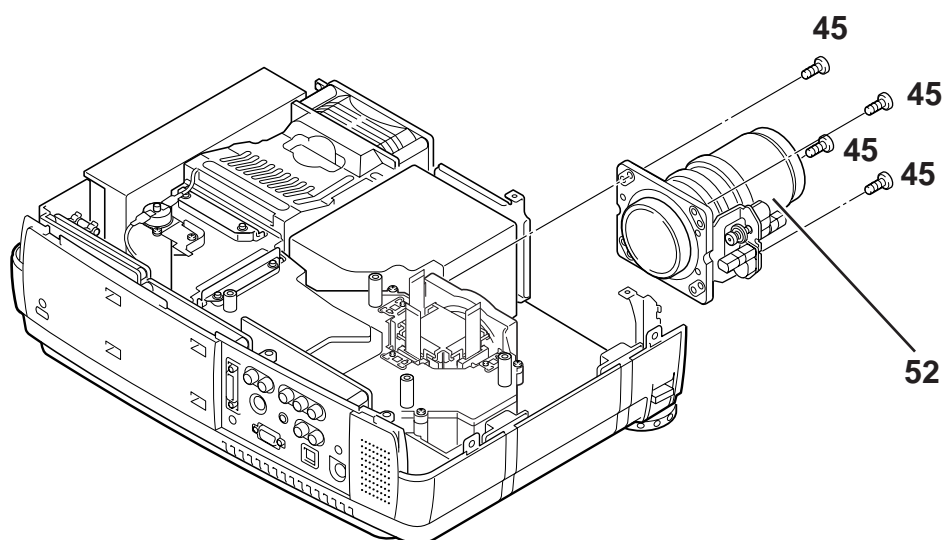
Optical Parts List



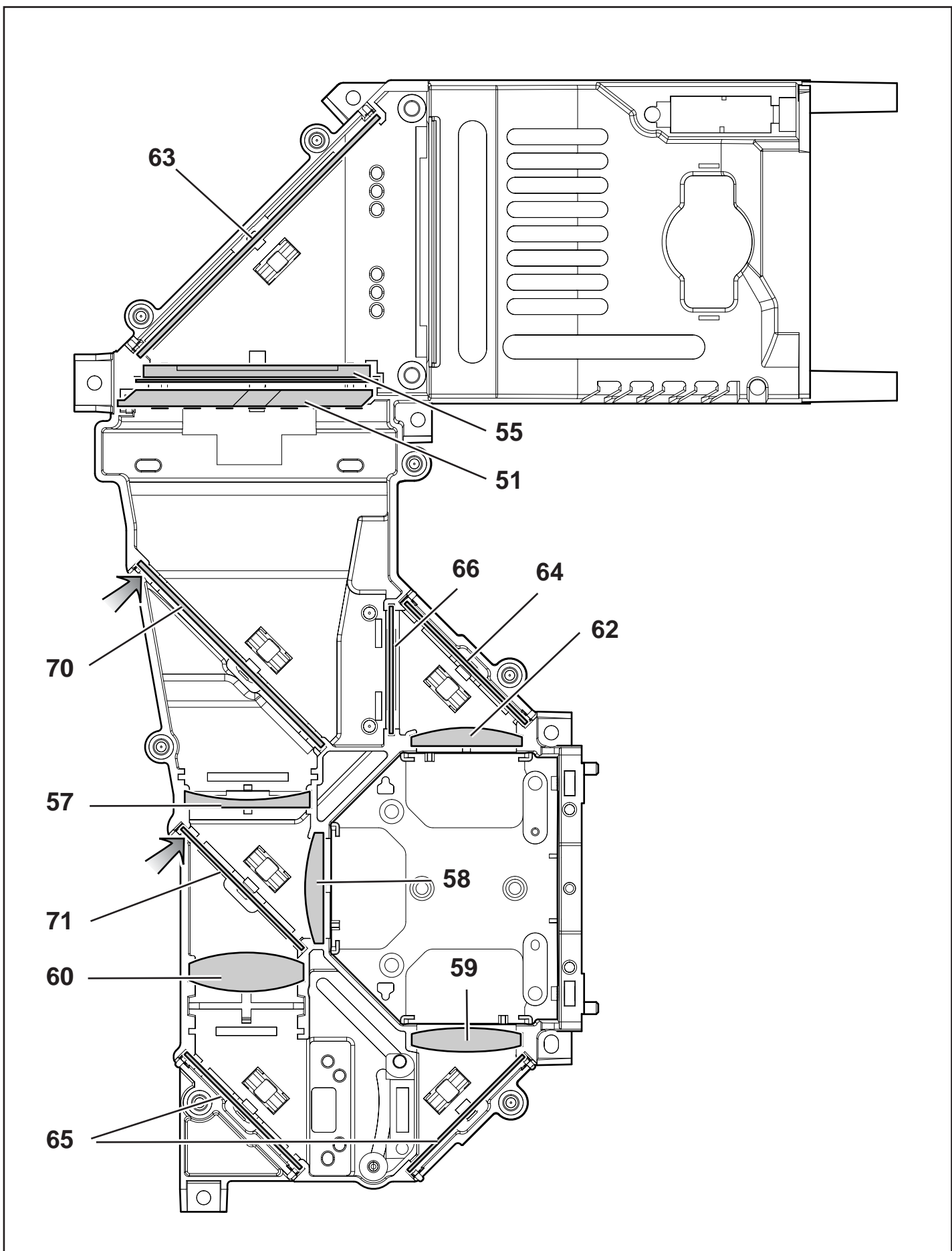
Optical Parts List



Optical Parts List



Optical Parts List



EIKI

A-key to better communications

U.S.A.

EIKI International, Inc.
30251 Esperanza
Rancho Santa Margarita
CA 92688-2132
U.S.A.
Tel : 800-242-3454 (949)-457-0200
Fax : 800-457-3454 (949)-457-7878
E-Mail : usa@eiki.com

Deutschland & Österreich

EIKI Deutschland GmbH
Am Frauwald 12
65510 Idstein
Deutschland
Tel : 06126-9371-0
Fax : 06126-9371-14
E-Mail : info@eiki.de

Canada

EIKI CANADA - Eiki International, Inc.
P.O. Box 156, 310 First St. - Unit 2,
Midland, ON, L4R 4K8, Canada
Tel : 800-563-3454 (705)-527-4084
Fax : 800-567-4069 (705)-527-4087
E-Mail : canada@eiki.com

Eastern Europe

EIKI CZECH spol. s.r.o.
Umělecká 15
170 00 Praha 7
Czech Republic
Tel : +42 02 20570024
+42 02 20571413
Fax : +42 02 20571411
E-Mail : easterneurope@eiki.de

Japan & Worldwide

EIKI Industrial Company Limited.
4-12 Banzai-Cho, Kita-Ku, Osaka,
530-0028 Japan
Tel : +81-6-6311-9479
Fax : +81-6-6311-8486
E-Mail : japan@eiki.com

WorldWide Website <http://www.eiki.com>

Free Manuals Download Website

<http://myh66.com>

<http://usermanuals.us>

<http://www.somanuals.com>

<http://www.4manuals.cc>

<http://www.manual-lib.com>

<http://www.404manual.com>

<http://www.luxmanual.com>

<http://aubethermostatmanual.com>

Golf course search by state

<http://golfingnear.com>

Email search by domain

<http://emailbydomain.com>

Auto manuals search

<http://auto.somanuals.com>

TV manuals search

<http://tv.somanuals.com>