



*Quality
on Display*

FlexScan® L550

**43 cm (17")
COLOR LCD MONITOR**

Primary Performance

The FlexScan L550 is the first model in EIZO's new PrimEdge series of LCD monitors, which features streamlined design and functions for convenient operation. A folding stand allows for easy portability and adjustment to the optimum viewing position, and new BrightRegulator and auto setup functions eliminate the hassle of making initial screen configurations. The OSD menu includes an sRGB mode and lists product information such as model and serial number and total hours of usage. Backed by EIZO's industry-leading five year warranty, the FlexScan L550 provides corporate, small business, and home users with simplicity, quality, and reliability at a low total cost of ownership.



STREAMLINED DESIGN

The design is simple and compact with space-saving slim bezels, internal power supply, and a folding stand. The stand moves in and out to vary the screen angle for quick adjustment to the most comfortable viewing position. Plus, it does not have to be removed for mounting with optional stands or arms, as with conventional monitors. Three color variations are available: gray, black or two-tone.

BRIGHTNESS STABILIZATION

The FlexScan L550 includes two brightness control functions, both of which work automatically. The BrightRegulator uses an external sensor to detect the surrounding brightness, then signals the backlights to adjust as necessary. The auto brightness control function detects and compensates for changes in brightness caused by temperature and the passage of time. Together, these two controls ensure stable image display.

AUTO SETUP

This convenient function is being introduced for the first time with the FlexScan L550. When the monitor initially detects an analog signal, it automatically adjusts clock, phase, screen position and resolution. This ensures optimized screen settings without the need for manual adjustment.

FlexScan® L550

**43 cm (17")
COLOR LCD MONITOR**



Additional Features

DIGITAL AND ANALOG INPUTS

DVI-D and D-Sub inputs guarantee compatibility with both digital and analog graphics boards.

sRGB MODE

Applies the international sRGB color space, enabling color matching with applications and peripherals like scanners, printers and digital cameras with a corresponding setting.

REGULATORY STANDARDS

Complies with current international standards for safety, ergonomics and power management. It also conforms to EIZO's own strict Eco Products 2004 environmental criteria for design, manufacture, packaging and usage, which include new requirements such as the partial use of recycled plastic and less than two watts of power consumption in power save mode.



Accessories

A variety of accessories are available for enhancing convenience and flexibility, including dual height adjustable stands, a wall mount, and flexible arms.



For more information, please see:

<http://www.eizo.co.jp/welcome/products/lcd/>

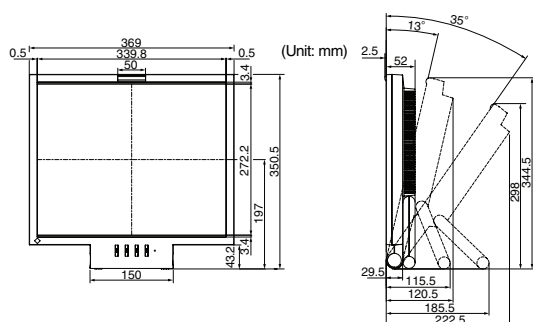
Support

EIZO and its authorized distributors offer a five year limited warranty for the FlexScan L550.



The usage time is limited to 30,000 hours or less, and the warranty period of the LCD panel and backlight is limited to three years from the date of purchase.

Dimensions



Specifications

Panel Size and Type	43 cm (17") TFT color LCD panel
Available Cabinet Colors	Gray, Black, Two-Tone (gray & black)
Pixel Pitch	0.264 × 0.264 mm
Display Colors	16.19 million (maximum)
Viewing Angles (H, V)	160°, 160° (at contrast ratio of 5:1)
Scanning Frequency (H, V)	Analog: 31.5 – 80 kHz, 56 – 75.1 Hz Digital: 31.5 – 64 kHz, 59 – 61 Hz (VGA Text: 69 – 71 Hz)
Native Resolution	1280 × 1024
Brightness	300 cd/m ²
Contrast Ratio	450:1
Dot Clock	135 MHz, Digital: 108 MHz
Response Time	16 ms (typical)
Input Signals	RGB Analog, DVI Standard 1.0
Sync Format	Separate
Input Terminals	D-Sub mini 15 pin, DVI-D 24 pin (switchable)
Active Display Size (H × V)	338 × 270 mm
Viewable Image Size	432 mm (diagonal)
Plug & Play	VESA DDC 2B
Screen Control	ScreenManager®, One Touch Auto Adjustment Function
Power Requirements	AC100 – 120V / 200 – 240V, 50 – 60 Hz
Power Management	VESA DPMS, DVI DMPM
Power Consumption	38 watts
Power Save Mode	Less than 2 watts
OSD Languages	English, French, German, Italian, Japanese, Spanish, Swedish
Dimensions (W × H × D)	369 × 298 – 344.5 × 120.5 – 222.5 mm
Net Weight	3.9 kg
Tilt	13° – 35°
Certifications and Standards	TÜV/Ergonomics, TÜV/GS, c-Tick CE, CB, UL (cTÜVus), CSA (cTÜVus), FCC-B, Canadian ICES-003-B, TÜV/S, VCCI-B, EPA ENERGY STAR®, EIZO Eco Products 2004
Supplied Accessories	AC power cord, signal cable (D-Sub – D-Sub), setup guide, EIZO LCD Utility Disk (PDF user's manual, ICC profile), 4 screws for mount option, warranty registration card
Warranty	Five Years

Specifications are subject to change without notice.

ENERGY STAR is a U.S. registered mark. As an ENERGY STAR® Partner, Eizo Nanao Corporation has determined that the products specified herein meet the ENERGY STAR® guidelines for energy efficiency.

Copyright© 2003 Eizo Nanao Corporation. All rights reserved. All product names are trademarks or registered trademarks of their respective companies. FlexScan, EIZO, and ScreenManager are registered trademarks of Eizo Nanao Corporation.

EIZO NANA O CORPORATION

153 Shimokashiwano, Matto, Ishikawa 924-8566 Japan

Phone +81-76-277-6792 Fax: +81-76-277-6793

www.eizo.com



Free Manuals Download Website

<http://myh66.com>

<http://usermanuals.us>

<http://www.somanuals.com>

<http://www.4manuals.cc>

<http://www.manual-lib.com>

<http://www.404manual.com>

<http://www.luxmanual.com>

<http://aubethermostatmanual.com>

Golf course search by state

<http://golfingnear.com>

Email search by domain

<http://emailbydomain.com>

Auto manuals search

<http://auto.somanuals.com>

TV manuals search

<http://tv.somanuals.com>