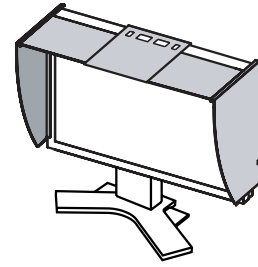


User's Manual

CH4

Monitor Hood



Thank you very much for choosing an EIZO product.
Please read this User's Manual carefully to familiarize you with safe and effective usage procedures.
Please retain this manual for future reference.

PRECAUTIONS

- To ensure personal safety and proper maintenance, please read this section.

CAUTION

Do not carry the monitor with the hood attached.

While carrying the monitor, the hood may fall or slip off, which may result in injury or equipment damage.

Do not place any objects on the hood.

If the hood falls or slips off or the monitor falls over, it may result in injury or equipment damage.



Attach only to specified EIZO LCD monitors.

Attach only to specified EIZO LCD monitors. Attaching to other monitors may cause the hood to drop, which may result in injury or equipment damage. For the specified monitors, please visit our website at <http://www.eizo.com>.

Close the open/close cover until it contacts the stopper.

If the cover is not closed properly, the ventilation slots on the monitor will be covered and proper airflow will be prevented. This may cause overheating inside the monitor and may result in fire, electric shock, or equipment damage.

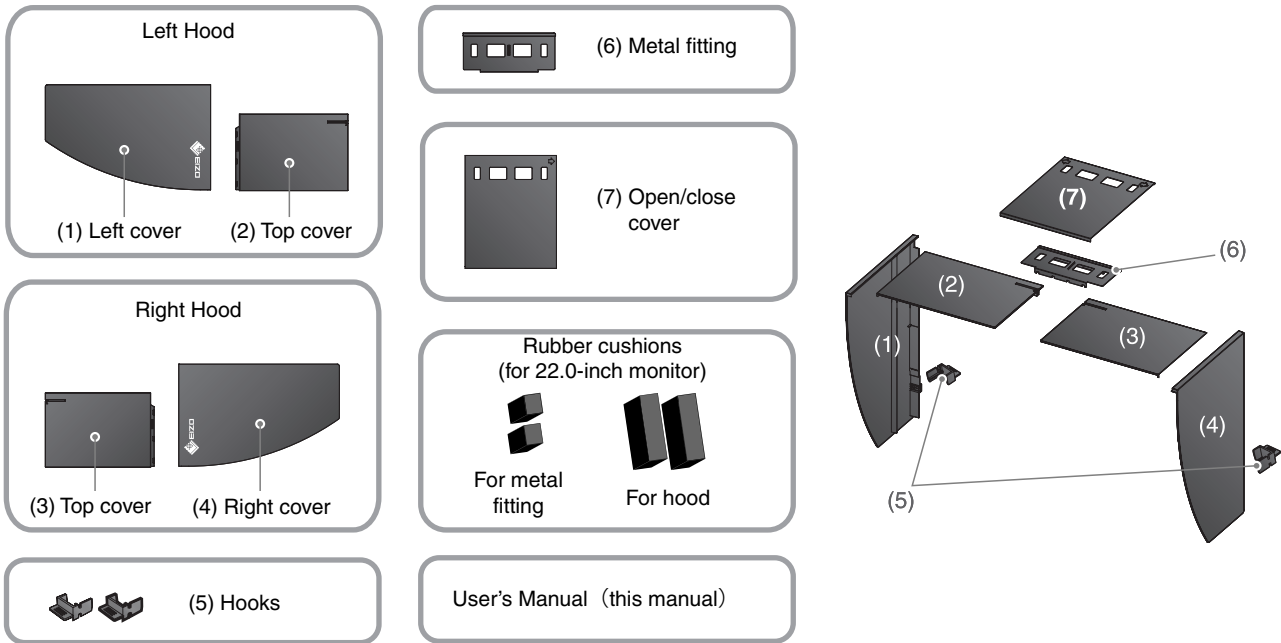
When attaching the hood to the 22.0-inch monitor with EZ-UP stand, do not attach the hood and i-Sound (optional speaker) at the same time.

It may cause falling of the monitor, and may result in injury or equipment damage because the total weight exceeds the supportable weight of the stand.



Package Contents

Please contact your local dealer for assistance if any of the listed items are missing or damaged.



How to install

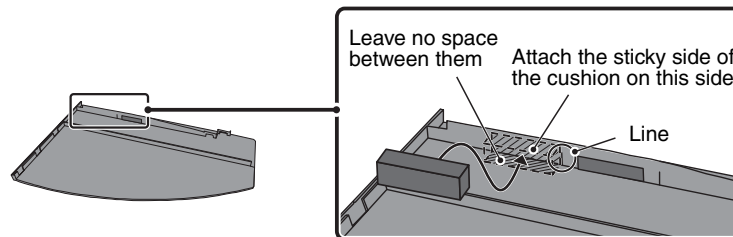
1. For 22.0-inch monitors, attach the rubber cushions on the both hoods (left and right covers) and the metal fitting.

NOTE

- For 24.1-inch monitors, start at step 2.

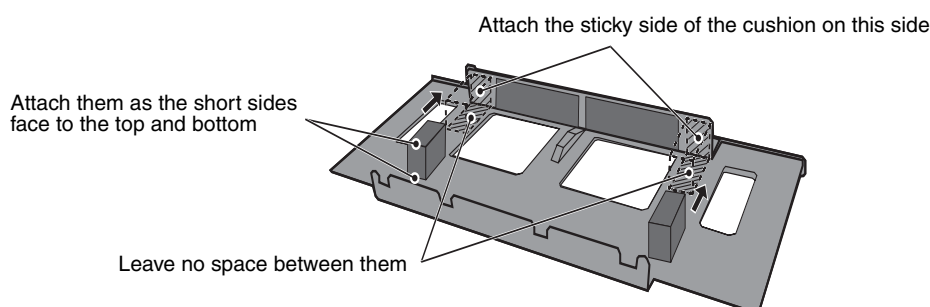
Left and right hoods

- (1) Remove the tape from a rubber cushion for hood, and then attach the cushion on the left hood (left cover) along the line with no space between the cushion and the hood.
- (2) Attach another rubber cushion for hood on the right hood (right cover) in the same way.



Metal fitting

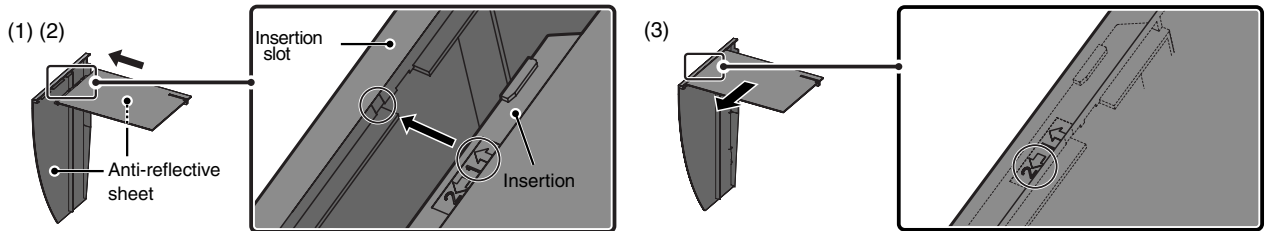
Remove the tape from the rubber cushion for metal fitting, and then attach the cushion on the metal fitting with no space between the cushion and the fitting.



2. Assemble the left and right hoods.

NOTE

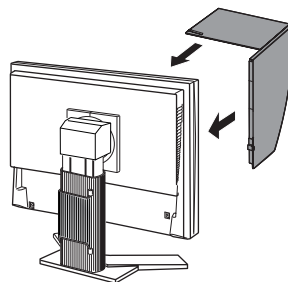
- Assemble the hoods in the direction of the arrows marked on the insertions on the top covers of the right and left hoods.
- (1) Hold the left hood's left and top covers with the sides with the anti-reflective sheet facing inward.
 - (2) Connect the top and left covers by aligning the arrow (1↑) on the top cover's insertion with the two lines on the left cover's insertion slot.
 - (3) Slide the top cover in the direction shown by the arrow (2←). Assembly of the left hood is complete.
 - (4) Assemble the right hood in the same way.



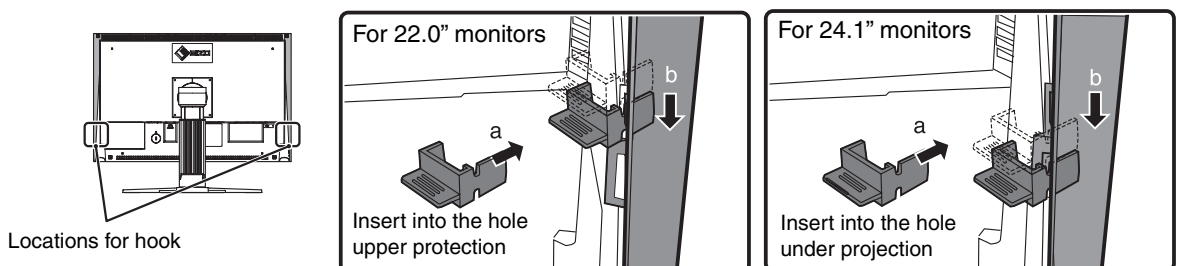
3. Attach the left and right hoods to the monitor.

NOTE

- Be sure to install the second hood only after the other hood is firmly attached with hook.
 - When attaching the hood to the 22.0-inch monitor with EZ-UP stand, note the following points:
 - The height of the hood is about 16 mm longer than the one of 22-inch monitor, so that with tilting at the lowest lifting position the hood may hit the desk on which the monitor is installed.
 - When attaching the hood and i-Sound (optional speaker) at the same time, the total weight exceeds the supportable weight of the stand. Before attaching the hood, remove i-Sound from the monitor.
- (1) Attach the top side of the left hood to the monitor first and then securely fit the left side of the hood in order to fix the hood to the monitor.



- (2) Insert the hook into the hole* on the hood (a) and slide it down along the projection on the back side of the monitor (b).

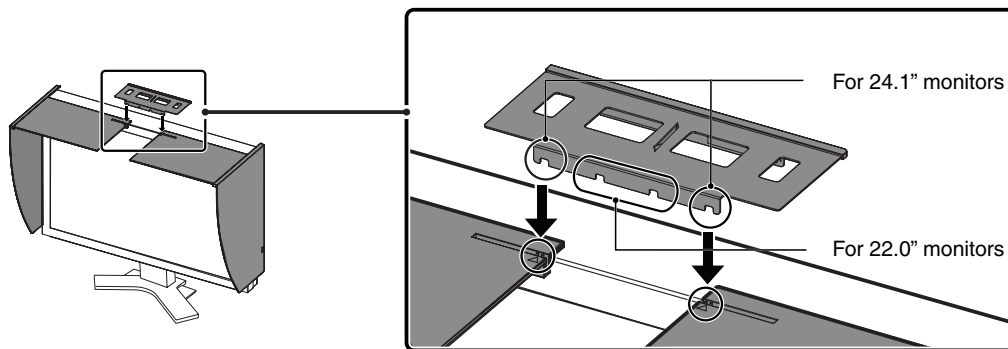


* The location for hook depends on the size of the monitor.

- (3) Attach the right hood in the same way.

4. Attach the left and right hoods to the monitor with the metal fitting.

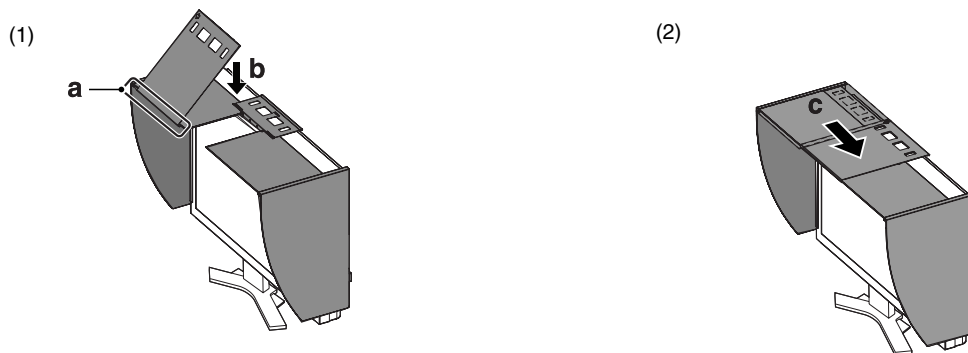
- (1) Check the locations of the depressions in the fitting.
- (2) Insert the fitting into the left and right hoods by aligning those depressions with the projections (▲) in the grooves on the right and left hoods.



5. Attach the open/close cover to the left hood.

NOTE

- Do not attach the open/close cover to the right hood. Doing so prevents the cover from closing.
- (1) Place the open/close cover on the top of the left hood (without contacting the metal fitting) from front (a) to back (b).
 - (2) Slide the open/close cover to the right (c) until it contacts the stopper on the metal fitting. 4 holes of metal fitting and open/close cover come to the same position.

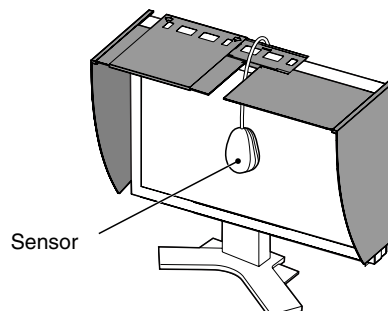


Calibration

When performing calibration, slide the open/close cover to the left in order to attach the sensor.

NOTE

- The open/close cover does not slide onto the right cover.



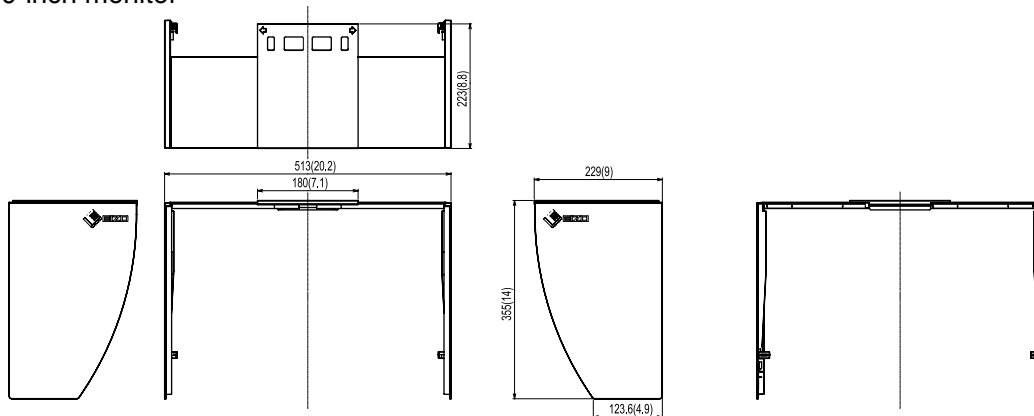
Specifications

Dimensions	Attached to 22.0-inch monitor	513 mm (20.2) × 355 mm (14) × 229 mm (9) (inch)
(W) × (H) × (D)	Attached to 24.1-inch monitor	571 mm (22.5) × 355 mm (14) × 229 mm (9) (inch)
Weight	Approx. 810g (1.79 lbs)	

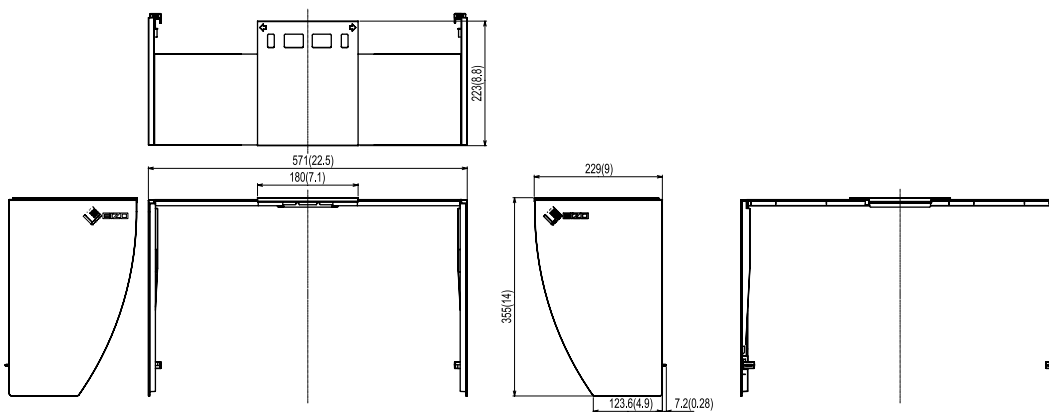
Dimensions

For 22.0-inch monitor

Unit: mm (inch)



For 24.1-inch monitor



NOTE



EIZO NANA O CORPORATION

153 Shimokashiwano, Hakusan, Ishikawa 924-8566 Japan
Phone: +81 76 277 6792 Fax: +81 76 277 6793

EIZO NANA O TECHNOLOGIES INC.

5710 Warland Drive, Cypress, CA 90630, U.S.A.
Phone: +1 562 431 5011 Fax: +1 562 431 4811

EIZO EUROPE AB

Lovangsvagen 14 194 61, Upplands Väsby, Sweden
Phone: +46 8 594 105 00 Fax: +46 8 590 91 575

EIZO NANA O AG

Moosacherstrasse 6, Au CH - 8820 Wädenswil, Switzerland
Phone: +41-0-44 782 24 40 Fax: +41-0-44 782 24 50

株式会社ナナオ

〒924-8566 石川県白山市下柏野町 153 番地

<http://www.eizo.com>



This document is printed on recycled chlorine free paper.

3rd Edition-March, 2008 Printed in Japan.

00N0L417C1
(U.M-CH4)

Free Manuals Download Website

<http://myh66.com>

<http://usermanuals.us>

<http://www.somanuals.com>

<http://www.4manuals.cc>

<http://www.manual-lib.com>

<http://www.404manual.com>

<http://www.luxmanual.com>

<http://aubethermostatmanual.com>

Golf course search by state

<http://golfingnear.com>

Email search by domain

<http://emailbydomain.com>

Auto manuals search

<http://auto.somanuals.com>

TV manuals search

<http://tv.somanuals.com>