



Quality
on Display

FlexScan® L557

43 cm (17")
COLOR LCD MONITOR

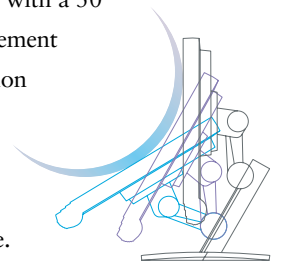
Perfectly Positioned

Digital and analog connectivity, wide 170° viewing angles, and a compact, ergonomically designed cabinet are just three reasons why the FlexScan L557 is perfectly positioned to meet all the display requirements of corporate, back office, and administrative professionals. With wide-ranging image adjustment functions, 500:1 contrast ratio, and built-in stereo speakers, it is equally suitable for text, web, multimedia, or graphics applications. An industry-leading five year warranty guarantees long service life and low total cost of ownership. Stylish in design and comfortable to use, the FlexScan L557 matches value and versatility with uncompromising quality and performance.



NEW ERGONOMIC DESIGN

With slim 14 mm side bezels, the newly designed cabinet is more space-efficient than ever. Navigating is easier too — control buttons are now arranged in a simple cross pattern, and set on a tiered front panel. The L557 comes standard equipped with a 50 mm height adjustable stand. For additional placement and adjustment options an ArcSwing stand version (L557-AS) with forward/backward and upward/downward movement, and a panel only version (L557-F) for installation on a mounting arm or wall bracket, are also available.



L557-AS

FINE CONTRAST

The front-button-operated Fine Contrast function, exclusive to EIZO, accesses five specialized image modes: Text, Picture, Movie, Custom, and sRGB. Each mode has its own settings for parameters such as color temperature, brightness and saturation.

DIGITAL AND ANALOG INPUTS

DVI-D and D-Sub mini 15-pin inputs allow use with a computer incorporating either a digital or an analog graphics card — or both, if two computers are connected at the same time.

FlexScan L557

43 cm (17") COLOR LCD MONITOR

Additional Features

GAMMA CORRECTION

Internal circuitry automatically converts 8-bit data from the PC to 10-bit and back to 8-bit, producing smooth, accurate color tones.

COLOR MANAGEMENT

Support for the sRGB color space provides color matching with other sRGB compliant peripherals.

REGULATORY STANDARDS

Compliance with current international standards relating to safety, ergonomics, and power management as well as "EIZO Eco Products 2002," an in-house label covering such environmental issues as manufacture with lead-free solder and chrome-free steel plates.



Accessories

A variety of accessories are available for enhancing convenience and flexibility, such as a panel protector, flexible arms and dual height adjustable stands that hold two monitors. For more information please see <http://www.eizo.com/products/accessories/>

Support

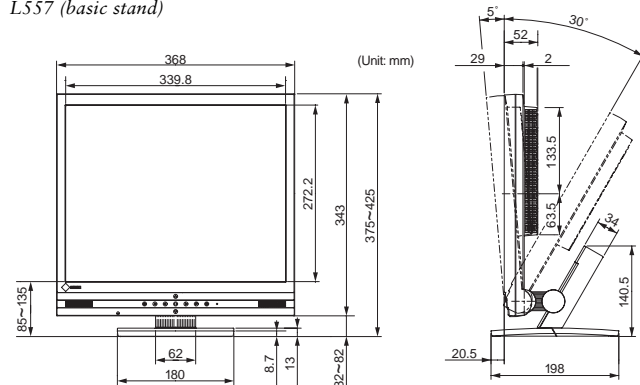
EIZO and its authorized distributors offer a five year limited warranty for the FlexScan L557.



The usage time is limited to 30,000 hours or less, and the warranty period of the LCD panel and backlight is limited to three years from the date of purchase.

Dimensions

L557 (basic stand)



Specifications

Models	L557 (basic stand), L557-AS (ArcSwing stand), L557-F (panel only)
Panel Size and Type	43 cm (17") TFT color LCD panel
Available Cabinet Colors	Gray, Black
Pixel Pitch	0.264 × 0.264 mm
Display Colors	16.77 million from a palette of 1.06 billion
Viewing Angles (H, V)	170°, 170°
Scanning Frequency (H, V)	Analog: 24.8 – 80 kHz, 55 – 75 Hz Digital: 31 – 64 kHz, 59 – 61 Hz (VGA Text: 69 – 71 Hz)
Recommended Resolution	1280 × 1024
Brightness / Contrast Ratio	250 cd/m ² / 500:1
Response Time	25 ms (typical)
Dot Clock	Analog: 135 MHz, Digital: 108 MHz
Input Signals	RGB Analog, DVI Standard 1.0
Sync Format	Separate
Input Terminals	D-Sub mini 15 pin, DVI-D 24 pin (switchable)
Active Display Size (H × V)	338 × 270 mm
Viewable Image Size	432 mm (diagonal)
Plug & Play	VESA DDC 2B
Screen Control	ScreenManager®, One Touch Auto Adjustment Function
Power Requirements	AC 100 – 120V, 200 – 240V: 50 / 60 Hz
Power Management	VESA DPMS, DVI DMPM
Power Consumption	45 watts
Power Save Mode	Less than 2 watts
OSD Languages	English, French, German, Italian, Japanese, Spanish, Swedish
Height Adjustment Range	L557: 50 mm, L557-AS: 100 mm
Dimensions (W × H × D)	With Stand (L557): 368 × 375 – 425 × 198 mm With Stand (L557-AS): 368 × 256 – 419 × 245 mm Without Stand: 368 × 343 × 52 mm
Net Weight	With Stand (L557): 5.6 kg, (L557-AS): 7 kg Without Stand: 4.2 kg
Audio	Dual 1W built-in speakers, input/headphone jacks
Tilt	(L557): 30° Up, 5° Down
Tilt / Pivot	(L557-AS): 60° Up, 1° Down / 90° Right, 3° Left
Certifications and Standards	TCO'03 (gray), TCO'99 (black), TÜV/Ergonomics (including ISO 13406-2), TÜV/GS, c-Tick CE, CB, UL (cTÜVus), CSA (cTÜVus), FCC-B, Canadian ICES-003-B, TÜV/S, VCCI-B, EPA ENERGY STAR®, CCC, EIZO Eco Products 2002
Supplied Accessories	AC power cord, signal cable (D-Sub mini 15 pin), audio cable, setup guide, EIZO LCD Utility Disk (ICC profile, HTML user's manual), 4 screws for mount option, warranty registration card
Warranty	Five Years

Specifications are subject to change without notice.
Copyright © 2003 Eizo Nanao Corporation. All rights reserved. All product names are trademarks or registered trademarks of their respective companies. FlexScan, EIZO, and ScreenManager are registered trademarks of Eizo Nanao Corporation.

EIZO NANA O CORPORATION

153 Shimokashiwano, Matto, Ishikawa 924-8566 Japan

Phone +81-76-277-6792 Fax: +81-76-277-6793

www.eizo.com



Free Manuals Download Website

<http://myh66.com>

<http://usermanuals.us>

<http://www.somanuals.com>

<http://www.4manuals.cc>

<http://www.manual-lib.com>

<http://www.404manual.com>

<http://www.luxmanual.com>

<http://aubethermostatmanual.com>

Golf course search by state

<http://golfingnear.com>

Email search by domain

<http://emailbydomain.com>

Auto manuals search

<http://auto.somanuals.com>

TV manuals search

<http://tv.somanuals.com>