

User's Manual

FlexScan® L760T-C

Touch Panel Color LCD Monitor

It shall be assured that the final system is in compliance to IEC60601-1-1 requirements.



SAFETY SYMBOLS

This manual uses the safety symbols below. They denote critical information. Please read them carefully.



WARNING

Failure to abide by the information in a WARNING may result in serious injury and can be life threatening.



CAUTION

Failure to abide by the information in a CAUTION may result in moderate injury and/or property or product damage.



Indicates a prohibited action.



Indicates to ground for safety.

- Power supplied equipment can emit electromagnetic waves, that could influence, limit or result in malfunction of the monitor. Install the equipment in a controlled environment, where such effects are avoided.
- This is a monitor intended for use in a medical setting.


Copyright© 2005 EIZO NANA O CORPORATION All rights reserved. No part of this manual may be reproduced, stored in a retrieval system, or transmitted, in any form or by any means, electronic, mechanical, or otherwise, without the prior written permission of EIZO NANA O CORPORATION.

EIZO NANA O CORPORATION is under no obligation to hold any submitted material or information confidential unless prior arrangements are made pursuant to EIZO NANA O CORPORATION's receipt of said information. Although every effort has been made to ensure that this manual provides up-to-date information, please note that EIZO monitor specifications are subject to change without notice.

VGA is a registered trademark of International Business Machines Corporation.
DPMS is a trademark and VESA is a registered trademark of Video Electronics Standards Association.

Windows is a registered trademark of Microsoft Corporation.
ScreenManager, FlexScan and EIZO are registered trademarks of EIZO NANA O CORPORATION in Japan and other countries.

TABLE OF CONTENTS

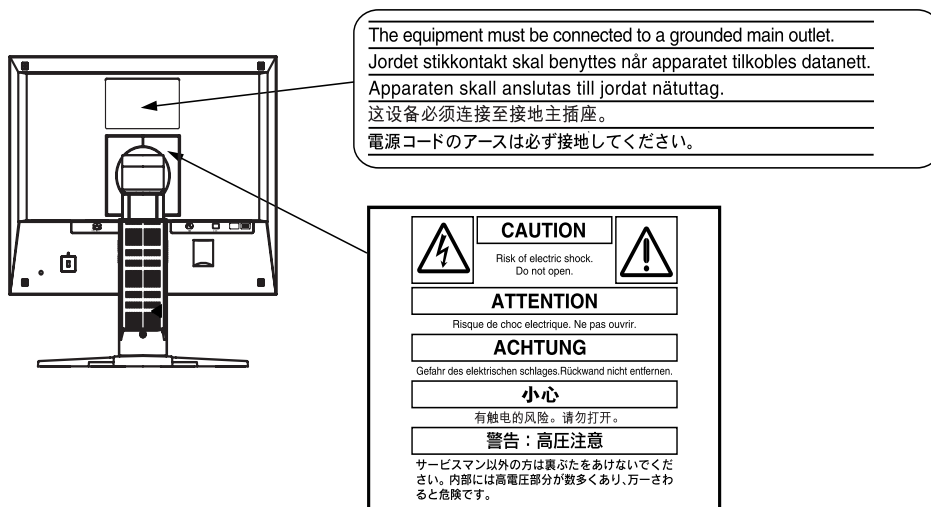
 PRECAUTIONS	4
1. INTRODUCTION	9
1-1. Features	9
1-2. Package Contents.....	9
1-3. Controls & Connectors	10
2. CABLE CONNECTION	12
2-1. Before connecting	12
2-2. Connecting the signal cable	13
2-3. Touch Operation.....	15
2-4. Connecting two PCs to the monitor.....	15
3. ScreenManager	16
3-1. How to use the ScreenManager	16
3-2. Adjustments and Settings	17
3-3. Useful Functions	18
4. ADJUSTMENT	20
4-1. Screen Adjustment	20
4-2. Color Adjustment	23
5. ATTACHING A STAND	25
6. TROUBLESHOOTING	27
7. CLEANING	31
8. SPECIFICATIONS	32
9. GLOSSARY	35
APPENDIX/ANHANG/ANNEXE	i

⚠ PRECAUTIONS

IMPORTANT!

- This product has been adjusted specifically for use in the region to which it was originally shipped. If operated outside the region to which it was originally shipped, the product may not perform as stated in the specifications.
- To ensure personal safety and proper maintenance, please read this section and the caution statements on the unit (refer to the figure below).

[Location of the Caution Statements]



[Symbols on the unit]

Symbol	Location	This symbol indicates
	Front Control panel	Power button Press to turn the monitor's power on or off.
	Rear Name Plate	Alternating current
	Rear	Alerting electrical hazard
	Rear	Caution Refer to SAFETY SYMBOLS section in this manual.

WARNING

If the unit begins to emit smoke, smells like something is burning, or makes strange noises, disconnect all power connections immediately and contact your dealer for advice.

Attempting to use a malfunctioning unit can be dangerous.

Do not dismantle the cabinet or modify the unit.

Dismantling the cabinet or modifying the unit may result in electric shock or burn.



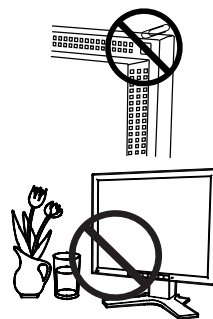
Refer all servicing to qualified service personnel.

Do not attempt to service this product yourself as opening or removing covers may expose you to dangerous voltage or other hazards.

Keep small objects or liquids away from the unit.

Small objects accidentally falling through the ventilation slots into the cabinet or spillage into the cabinet may result in fire, electric shock, or equipment damage.

If an object or liquid falls/spills into the cabinet, unplug the unit immediately. Have the unit checked by a qualified service engineer before using it again.



Place the unit on a strong, stable surface.

A unit placed on an inadequate surface may fall, resulting in injury or equipment damage.

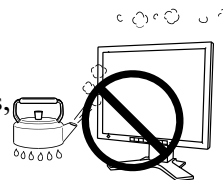
When the unit is dropped, please ask your dealer for advice. Do not continue using a damaged unit. Using a damaged unit may result in fire or electric shock.



Set the unit in an appropriate location.

Not doing so may cause damage and could result in fire or electric shock.

- * Do not place outdoors.
- * Do not place in the transportation system (ship, aircraft, trains, automobiles, etc.)
- * Do not place in a dusty or humid environment.
- * Do not place in a location where the steam comes directly on the screen.
- * Do not place near heat generating devices or a humidifier.
- * Do not place in an inflammable gas environment.



WARNING

To avoid danger of suffocation, keep the plastic packing bags away from babies and children.



Use the enclosed power cord and connect to the standard power outlet of your country. Be sure to remain within the rated voltage of the power cord.

Not doing so may cause in fire or electric shock.

To disconnect the power cord, grasp the plug firmly and pull.

Never tug on the cord, doing so may cause damage and could result in fire or electric shock.



The equipment must be connected to a grounded main outlet.

Not doing so may cause in fire or electric shock.



Use the correct voltage.

- * Do not overload your power circuit, as this may result in fire or electric shock.
- * The unit is designed for use with a specific voltage only. Connection to another voltage than specified in this User's Manual may cause fire, electric shock, or other damage.
- * Do not overload your power circuit, as this may result in fire or electric shock.

Handle the power cord with care.

- * Do not place the cord underneath the unit or other heavy objects.
- * Do not pull on or tie the cord.

If the power cord becomes damaged, stop using it. Use of a damaged cord may result in fire or electric shock.



Never touch the plug and power cord if it begins to thunder.

Touching them may result in electric shock.

WARNING

When attaching an arm stand, please refer to the user's manual of the arm stand and install the unit securely.

Not doing so may cause the unit to come unattached, which may result in injury or equipment damage. When the unit is dropped, please ask your dealer for advice. Do not continue using a damaged unit. Using a damaged unit may result in fire or electric shock. When reattaching the tilt stand, please use the same screws and tighten them securely.

Do not touch a damaged LCD panel directly with bare hands.

The liquid crystal which leaks from the panel is poisonous if it enters the eyes or mouth.

If any part of the skin or body comes in direct contact with the panel, please wash thoroughly. If some physical symptoms result, please consult your doctor.

Follow local regulation or laws for safe disposal.

The backlight of the LCD panel contains mercury.

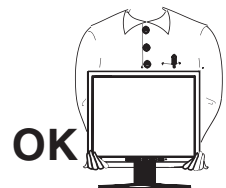
CAUTION

Handle with care when carrying the unit.

Disconnect the power cord and cables when moving the unit. Moving the unit with the cord attached is dangerous. It may result in injury or equipment damage.

When handling the unit, grip the bottom of the unit firmly with both hands ensuring the panel faces outward before lifting.

Dropping the unit may result in injury or equipment damage.



Do not block the ventilation slots on the cabinet.

- * Do not place books or any other papers on the ventilation slots.
- * Do not install the unit in a closed space.
- * Do not use the unit lying down or upside down.

Using the unit in these ways blocks the ventilation slots and prevents proper airflow, leading to fire or other damage.



CAUTION

Do not touch the plug with wet hands.

Touching them may result in electric shock.



Use an easily accessible power outlet.

This will ensure that you can disconnect the power quickly in case of a problem.

Periodically clean the area around the plug.

Buildup of dust, water, or oil on the plug may result in fire.

Unplug the unit before cleaning it.

Cleaning the unit while it is plugged into a power outlet may result in electric shock.

If you plan to leave the unit unused for an extended period, disconnect the power cord from the wall socket after turning off the power switch for the safety and the power conservation.

LCD Panel

In order to suppress the luminosity change by long-term use and to maintain the stable luminosity, use of a monitor in lower brightness is recommended.

The screen may have defective pixels. These pixels may appear as slightly light or dark area on the screen. This is due to the characteristics of the panel itself, and not the product.

The backlight of the LCD panel has a fixed life span. When the screen becomes dark or begins to flicker, please contact your dealer.

Do not scratch or press on the panel with any sharp objects, such as a pencil or pen as this may result in damage to the panel. Do not attempt to brush with tissues as this may scratch the panel.

1. INTRODUCTION

Thank you very much for choosing an EIZO Color Monitor.

1-1. Features

- Dual inputs compliant
- DVI (p.35) Digital input (TMDS (p.36)) compliant.
- Horizontal scanning frequency: Analog input 30 - 81 kHz
Digital input 30 - 65 kHz
- Vertical scanning frequency: Analog input 49.5 - 75.5 Hz
Digital input 59 - 61 Hz (VGA text: 70 Hz)
- Resolution: 1 M pixels (1280 dots x 1024 lines)
- Auto Adjustment compliant
- Support to sRGB (p.36) standard
- The height adjustable stand incorporated
- Touch Panel provided
- Touch Panel Pointer “TP1” is available (optional, p.14)

1-2. Package Contents

Please contact your local dealer for assistance if any of the listed items are missing or damaged.

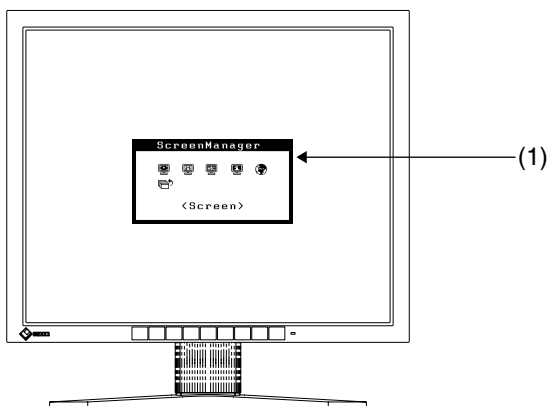
- LCD Monitor
- Power Cord
- Signal Cable (MD-C87)
- Touch Panel Cable (FD-C38)
- User's Manual
- ScreenManager Quick Reference
- LIMITED WARRANTY
- CD-ROM for Touch Panel
(Contents: TouchWare (Touch Panel Driver), User's Manual)

NOTE

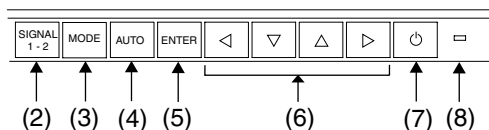
- Please retain the packing materials for future transference.
- Regarding the installing the touch panel driver, please follow the instructions in the CD-ROM.

1-3. Controls & Connectors

Front

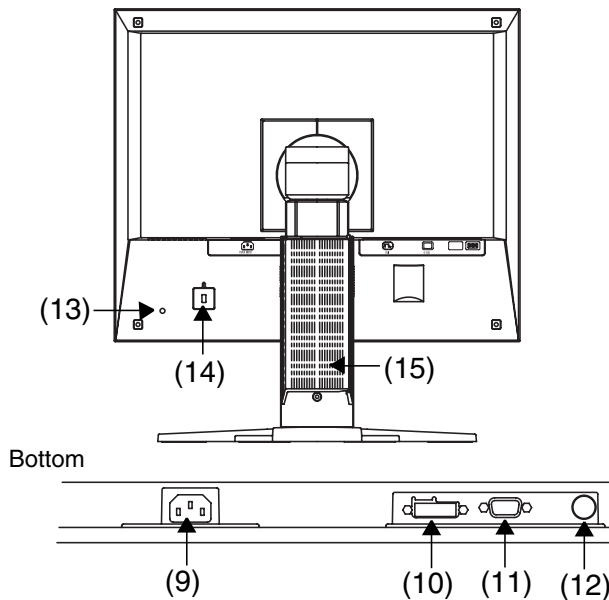







Control Panel



(1)ScreenManager®		Monitor Adjustment menu (p.16)
(2) SIGNAL1-2	Input Signal Selection Button	Switch the input signals when connecting 2 PCs. (p.15)
(3) MODE	Mode Button	Show or switch the color mode. (p.23)
(4) AUTO	Auto Adjustment Button	Adjust the screen to appropriate condition automatically. (analog input only)
(5) ENTER	Enter Button	Show the ScreenManager on the screen. Confirm the setting / adjustment function. Save the adjustment values.
(6)◀▼▲▶	Control Buttons (Left, Down, Up, Right)	Select the desired function. Increase and decrease the adjustment value.
(7)⏻	Power Switch	ON or OFF the monitor's power.
(8)◻	Power Indicator	Indicate monitor's operation status. Blue: Operation Flashing blue: Last 15 min. of operation time before entering the power off state. (p.18) Flashing yellow slowly: Power off

Rear



(9) 	Power Connector	Connect the power cord.
(10) 	DVI-D Connector (SIGNAL1)	Connect the optional digital cable.
(11) 	D-Sub mini 15 pin Connector (SIGNAL2)	Connect the enclosed analog cable (MD-C87)
(12) 	RS-232C port	Connect the enclosed touch panel cable (FD-C38).
(13) Hole for TP1		Hole for installing the lead of the TP1 (Optional Touch Panel Pointer).
(14) 	Security Lock Slot	Allows for connection of a security cable. This lock supports Kensington's MicroSaver security system. For further information, please consult: Kensington Technology Group 2855 Campus Drive, San Mateo, CA 94403 USA Tel: 800-650-4242, x3348 Intl: 650-572-2700, x3348 Fax: 650-572-9675 http://www.kensington.com
(15) Stand (Detachable)		The LCD monitor can be used with an other stand by removing the stand (see page 25).

2. CABLE CONNECTION

2-1. Before connecting

Before connecting your monitor to the PC, change the display screen settings (resolution (p.35) and frequency) in accordance with the charts below.

NOTE

- The lower display modes like 640x 480, automatically enlarge to the maximum display mode (1280 x 1024), and some lines of the characters may become fuzzy. In this case, use <Smoothing> function (p.22) to make the lines clear.
- When your computer and display support VESA DDC, the suitable resolution and the refresh rate are set by just plugging your display into the computer without any manual settings.

Analog Input

Resolution	Frequency	Dot Clock	Remarks
320 × 200	70 Hz	135 MHz(Max)	VGA Mode13
640 × 480	~75 Hz		VGA, VESA
720 × 400	70 Hz		VGA TEXT
800 × 600	~75 Hz		VESA
1024 × 768	~75 Hz		VESA
1152 × 864	75 Hz		VESA
1280 × 960	60 Hz		VESA
1280 × 1024	~75 Hz		VESA

Digital Input

Resolution	Frequency	Dot Clock	Remarks
640 × 480	60 Hz	109 MHz (Max)	VGA
720 × 400	70 Hz		VGA TEXT
800 × 600	60 Hz		VESA
1024 × 768	60 Hz		VESA
1280 × 1024	60 Hz		VESA

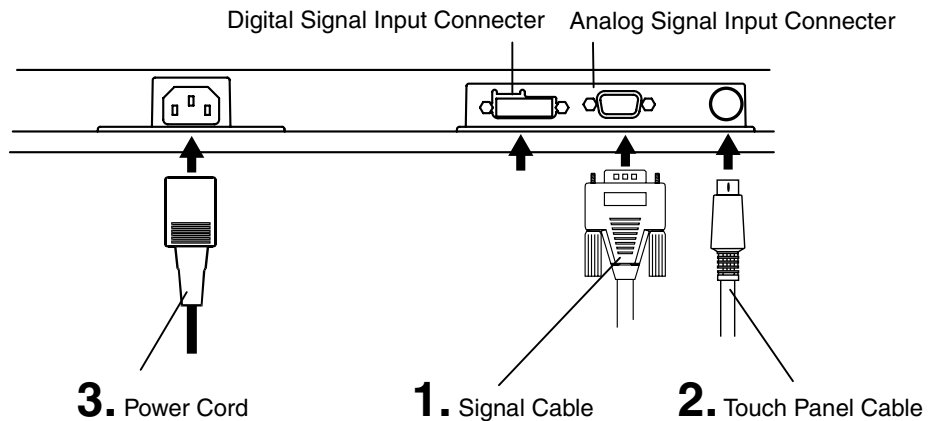
2-2. Connecting the signal cable

NOTE


- Be sure that the power switches of both the PC and the monitor are OFF.

1. Plug the signal cable into the connector at the rear of the monitor and the other end of the cable into the video connector on the PC.


After connecting, secure the connection with the screw-in fasteners.



Analog Input

Signal Cable	Connector of PC	PC
Signal Cable (enclosed, MD-C87) 	Video Output Connector/ D-Sub mini 15 pin Input Connector (monitor)/ D-Sub mini 15 pin	<ul style="list-style-type: none"> • Standard graphics card

Digital Input

Signal Cable	Connector of PC	PC
FD-C39 (Optional) 	Video Output Connector DVI-I Input Connector (monitor)/ DVI	<ul style="list-style-type: none"> • Digital Graphics card

2. Plug the enclosed touch panel cable (FD-C38) into the RS-232C port of the monitor. Then, plug the other end of the cable into the COM port of the PC.

3. Plug the power cord into the power connector on the rear of the monitor. Then, plug the other end of the cord into a power outlet.

⚠ WARNING

Use the enclosed power cord and connect to the standard power outlet of your country.

Be sure to remain within the rated voltage of the power cord.

Not doing so may cause in fire or electric shock.

The equipment must be connected to a grounded main outlet.

Not doing so may cause in fire or electric shock.



4. Turn on the monitor's main power and then switch on the PC's power.

The monitor's power indicator will light up (blue).

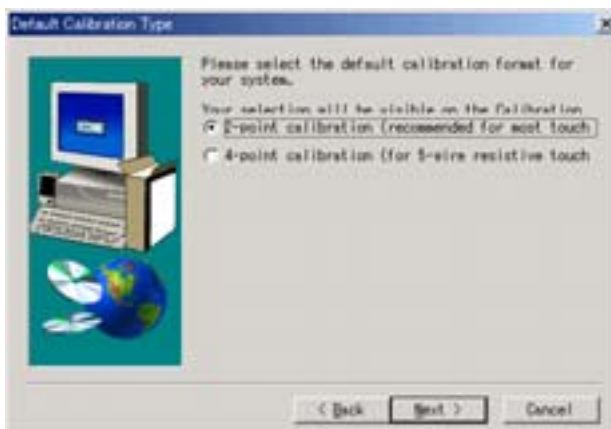
If an image does not appear, refer to the "6. TROUBLESHOOTING" (p.27) for advice.

5. Install the TouchWare with following the instructions on the CD-ROM.

Please carefully read the readme file of TouchWare at the installation.

NOTE

- When selecting the Calibration Type at the installing the TouchWare, select "2-point calibration".



NOTE

- Whenever finished, turn off the PC and the monitor. Disconnecting the monitor from the power supply is recommended to save energy completely.
- Adjust brightness of the screen depending on the brightness of your environment. Too dark or too bright of a screen can cause eyestrain.
- Be sure to take adequate rests. A 10-minute rest period each hour is suggested.

2-3. Touch Operation

Point and touch with one finger only.

NOTE

- Do not touch the screen while the computer is starting. Touch the screen after disappearing TouchWare starting window.
- Do not touch the screen while turning on the monitor. Touch the screen one second later after appearing the image.
- For the users with gloves, we recommend to use touch panel pointer, "TP1" (optional). Regarding the installation, please refer to the User's Manual of TP1.

2-4. Connecting two PCs to the monitor

Two PCs can be connected to the monitor through the DVI and the D-Sub mini 15 pin connector on the back of the monitor.

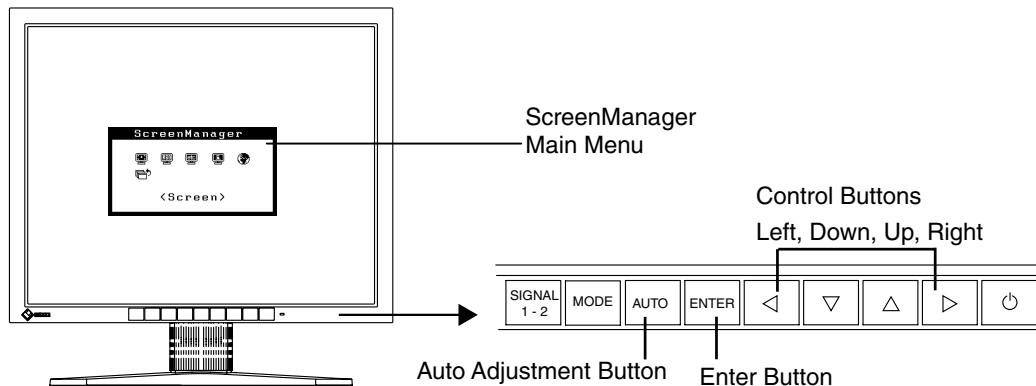
Selecting the active input

The Input Signal Selection Button on the control panel can be used to select either Signal 1 or Signal 2 as the active input at any time. Every time the button is pressed, the input changes. When switching the signal, the kind of the input signal (Signal1 or 2/Analog or Digital) is displayed for a few seconds on the right top corner of the screen.



3. ScreenManager

3-1. How to use the ScreenManager



1. Entering the ScreenManager

Press the Enter Button once to display the main menu of the ScreenManager.

2. Making Adjustments and Settings

- (1) Select the desired sub menu icon using the Control Buttons and press the Enter Button. The sub menu appears.
- (2) Use the Control Buttons to select the desired setting icon and press the Enter Button. The setting menu appears.
- (3) Use the Control Buttons to make all required adjustments and press the Enter Button to save the settings.

3. Exiting the ScreenManager

- (1) To return to the main menu, select the <Return> icon or press the Down Button twice, followed by the Enter Button.
- (2) To exit the ScreenManager, select <Exit> icon or press the Down Button twice, followed by the Enter Button.

NOTE

- Double clicking the Enter Button at any time also exits the ScreenManager menu.

3-2. Adjustments and Settings

The following table shows all the ScreenManager's adjustment and setting menus.
 "*" indicates adjustments of analog input only.

Main menu	Sub menu	Reference
Screen	Clock	*
	Phase	*
	Position	*
	Range Adjustment	*
	Smoothing	
Color	Brightness	
	Color Mode	
	• Custom	
	Temperature	
	Gamma	
	Saturation	
	Hue	
	Gain	
	Reset	
	• sRGB	
Others	Input Signal	Set the input signal selection of automatic or manual (p.19)
	Off Timer	Set the power save (p.18)
	VGA Selection	Select the display mode. (p.28)
	Menu Position	Adjust the menu position.
	Translucent	Set the transparency of the menu.
	Menu Off Timer	Set the menu displaying time.
	Reset	Return to the factory default settings. (p.33)
Information	Information	Review the ScreenManager's settings, model name, serial number and usage time ¹ .
Language	English, German, French, Spanish, Italian and Swedish	Select the ScreenManager's language.

¹ Due to the inspection on the factory, the usage time may not "0 hour" at shipping.

3-3. Useful Functions

Adjustment Lock

Use the “Adjustment Lock” function to prevent any accidental changes.

Locked function	<ul style="list-style-type: none"> • Auto Adjustment Button adjustments and settings in the ScreenManager.
Unlocked function	<ul style="list-style-type: none"> • Adjustment of brightness by the Control Buttons. • Input Signal Selection Button • Mode Button

[To lock]

- (1) Switch off the monitor’s power by the power switch on the control panel.
- (2) Press on the Auto adjustment button while switching on the monitor’s power.

[To unlock]

- (1) Switch off the monitor’s power by the power switch on the control panel.
- (2) Hold down the Auto adjustment button once again and turn the power back on.

Off Timer

The off timer function causes the monitor to automatically enter a power off state after a predetermined amount of time has lapsed. This function was created to reduce afterimage characteristics that are particular to LCD monitors when the monitor screen is left on for a long period without use.

[Procedure]

- (1) Select <Off Timer> in the ScreenManager <Others> menu.
- (2) Select “Enable” and press the Right and Left Buttons to adjust the “On Period” (1 to 23 hours).

[Off timer system]

PC	Monitor	Power Indicator
On Period (1H - 23H)	Operation	Blue
Last 15 min. in “On period”	Advance Notice ¹	Blue Flashing
“On period” expired	Power off	Flashing yellow slowly

¹ Advance notice (Power Indicator flashing blue) will be given 15 minutes before the monitor automatically enters the “Power Off” mode. To delay entering the “Power Off” mode, press the power switch during the advance notice period. The monitor will continue to operate for an additional 90 minutes.

[Power Resumption Procedure]

Press the power switch.

EIZO Logo display

Enables to display the EIZO logo for a while when switching on the monitor (Default is no logo). If you desire to display or undisplay this logo, use this function.

[To display]

- (1) Switch off the monitor's power by the Power switch on the control panel.
- (2) Hold down the Enter button once again and turn the power back on.

[To undisplay]

- (1) Switch off the monitor's power by the Power switch.
- (2) Hold down the Enter button once again and turn the power back on.

Automatically selecting the input signal function

The monitor will automatically detect the inputted signal of either the connection for display.

Connecting two PCs to the monitor

When the one computer is switched off, the monitor will automatically display the other signal.

Use the ScreenManager to switch the input selection to manual.

[Procedure]

- (1) Select <Input Signal> in the <Others> menu.
- (2) Select "Manual".

4. ADJUSTMENT

The monitor displays the digital input image correctly based on its pre-setting data. Adjust the brightness (p.23).

4-1. Screen Adjustment

Screen adjustments for the LCD monitor should be used in suppressing screen flickering and also for adjusting the screen to its proper position. There is only one correct position for each display mode. It is also recommended to use the ScreenManager function when first installing the display or whenever changing the system.

Adjustment Procedure

NOTE

- Allow the LCD monitor to stabilize for at least 20 minutes before making image adjustments.

1. Press the Auto Adjustment Button on the control panel.

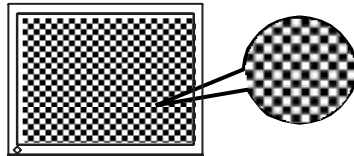
The message “Your setting will be lost, if you press again now.” appears and remains on the screen for 5 seconds. While the message is on the screen, press the Auto Adjustment Button again to automatically adjust the clock, phase, and screen position. If you do not wish to do adjust the screen, do not press the Auto Adjustment Button again.

NOTE

- The Auto Adjustment function is intended for use on AT-compatible PC running Windows. It may not work properly in either of the following cases. When running an AT-compatible PC on MS-DOS (Not windows). The background color for the “wall paper” or “desktop” pattern is set to black.

If the appropriate screen can not be made by using the Auto Adjustment Button, adjust the screen through the following procedures. If the appropriate screen can be made, proceed to step 4.

2. We recommend setting the desktop pattern to that as shown in the diagram below.



NOTE

- More precise adjustment is available for using the “Screen Adjustment program” utility software. It can be downloaded from the EIZO homepage (<http://www.eizo.com/>).

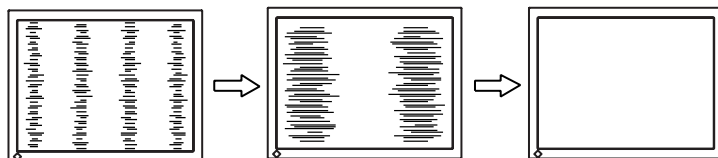
3. Adjust by using <Screen> menu in the ScreenManager.

- (1) Vertical bars appear on the screen


→  Use the <Clock> (p.35) adjustment.

Select the <Clock> and eliminate the vertical bars by using the Right and Left of the Control Buttons.

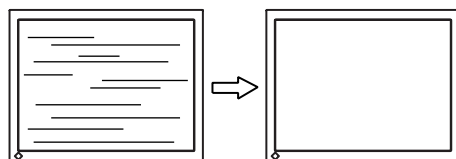
Do not continuously press the Control Buttons, as the adjustment value will change quickly and make it difficult to locate the most suitable adjustment point. If the horizontal flickering, blur or bars appear, proceed to <Phase> adjustment as follows.



- (2) Horizontal bars appear on the screen.

→  Use the <Phase> (p.35) adjustment.

Select the <Phase> and eliminate the horizontal flickering, blurring or bars by using the Right and Left Buttons.



NOTE

- Horizontal bars may not completely disappear from the screen depending on the PC.

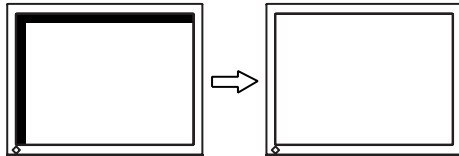
(3) The screen position is incorrect.

→  Use the <Position> adjustment.


The correct displayed position of the monitor is decided because the number and the position of the pixels are fixed. The “Position” adjustment moves the image to the correct position.

Select <Position> and adjust the position by using the Up, Down, Right and Left Buttons.

If vertical bars of distortion appear after finishing the <Position> adjustment, return to <Clock> adjustment and repeat the previously explained adjustment procedure. Clock→Phase→Position



4. To adjust the output signal range (Dynamic Range) of the signal.


→  Use the <Range Adjustment> (p.36).

This controls the level of output signal range to display the whole color gradation (256 colors).

[Procedure]

Press the Auto Adjustment Button on the control panel while displaying the <Range Adjustment> menu to automatically adjust the range. The screen blanks for a moment, and adjusts the color range to display the whole color gradation of the current output signal.

5. To smooth the blurred texts of the enlarged screen of the lower resolutions.

→  Switch the <Smoothing> setting.

<Smoothing> is clear-cut the letters or lines.

Select <Smoothing> in the screen menu and select the suitable level from 1 ~ 5.

NOTE

- The “Smoothing” is disabled in the resolution 1280 x 1024.
- Since the displayed image is enlarged, the blurred texts may not be necessarily lost completely.

4-2. Color Adjustment



In the analog input, perform the “Range Adjustment” (p.22) before making the color adjustments.






The <Color> menu in the ScreenManager enables to change the color of the screen. By using the <Color Mode>, the adjustment mode can be selected from <Custom mode> (to adjust the color settings according to your preference) and <sRGB> mode.

NOTE

- Allow the LCD monitor to stabilize for at least 20 minutes before making image adjustments. (Allow the monitor to warm up for at least 20 minutes before making adjustments.)
- Performing the <Reset> of the <Color> menu returns the color settings to the default settings.
- The values shown in percentages represent the current level within the specific adjustment. They are available only as a reference tool. (To create an uniform white or black screen, the percentages for each will probably not be the same.)
- Direct pressing the Mode Button on the control panel also can show or switch the Color Mode.

Adjustment Contents

Menu	Color Mode		Function Descriptions	Adjustable range
	Custom	sRGB		
Brightness 	√	√	To set the brightness of the screen NOTE • Direct pressing the up and down control button also can adjust the brightness. After the adjustment, press Enter button to save the data.	0 ~ 100%
Temperature (p.35) 	√	-	To set the color temperature NOTE • The values shown in the Kelvin are available only as a reference tool. • Setting the temperature under 4,000 K or over 10,000 K invalidates the color temperature setting. (The color temperature's setting turns “OFF”.)	4,000 ~ 10,000 K in 500 K increments (including 9,300 K). Default setting is off (normal white)

Menu	Color Mode		Function Descriptions	Adjustable range
	Custo m	sRGB		
Gamma (p.35) 	√	-	To set the gamma value	1.8 ~ 2.6
			NOTE <ul style="list-style-type: none"> If setting the gamma value, the using the monitor in the digital signal input is recommended. If using the monitor in the analog input signal, set the gamma value from 1.8 to 2.2. 	
Saturation 	√	-	To change the saturation	-128 ~ 127 Setting the minimum level (-128) turns the image to the monochrome.
			NOTE <ul style="list-style-type: none"> The <Saturation> adjustment may cause undisplayable color tone. 	
Hue 	√	-	To change the flesh color, etc.	-32 ~ 32
			NOTE <ul style="list-style-type: none"> The <Hue> adjustment may cause undisplayable color tone. 	
Gain (p.35) 	√	-	To change each color (red, green and blue)	0 ~ 100% By adjusting the red, green and blue color tones for each mode, custom colors can be defined. Display a white or gray background image and adjust the <Gain>.
			NOTE <ul style="list-style-type: none"> The values shown in the percentage are available only as a reference tool. Setting the <Temperature> (p.35) invalidates the <Gain> adjustment. <Gain> setting returns to the default. 	
Reset 	√	-	To return the color settings to the default settings	Select the "Reset".

5. ATTACHING A STAND

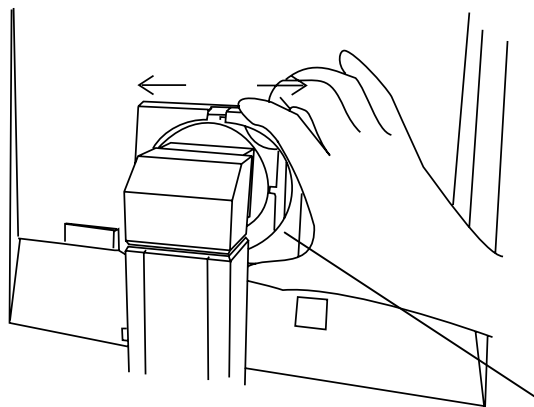
The LCD monitor can be used with other stand by removing the tilt stand and attaching the stand to the LCD monitor.

NOTE

- If you will use the other stand, confirm the followings to the manufacturers before selecting.
 - Hole spacing on the stand mounting: 100 mm x 100 mm (VESA compliant)
 - Supportable Weight: Total weight of the monitor (without stand) and attaching equipment such as a cable
 - TÜV/GS approved stand
- Please connect cables after attaching a stand.

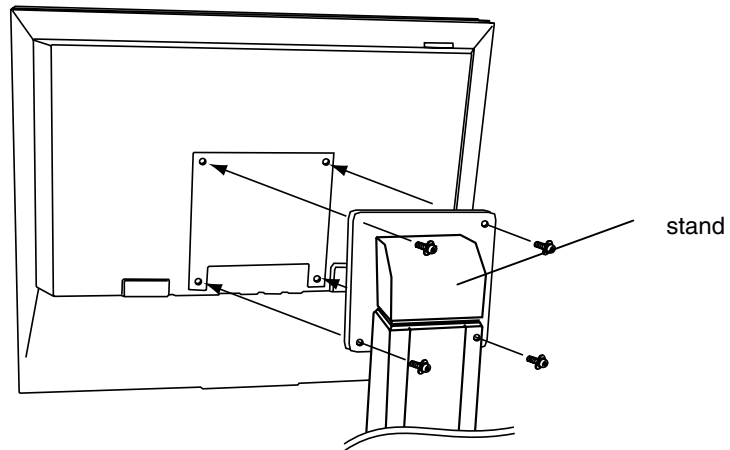
Setup Procedure

- 1.** Hold the center of the stand mounting cover and slide them rightward or leftward to remove the mounting cover.



- 2.** Lay the LCD monitor down. Do not scratch the panel.
- 3.** Remove the tilt stand by loosening the 4 screws.

4. Attach a stand to the LCD monitor securely with the same screws.

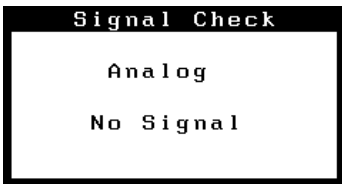
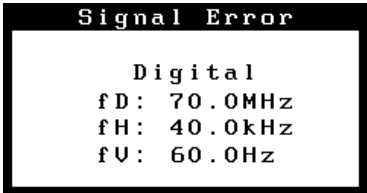


4 Mounting Screws: M4 x 12 mm

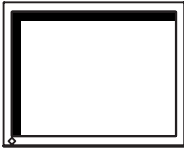
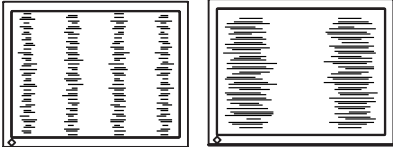

6. TROUBLESHOOTING

If a problem persists even after applying the suggested remedies, contact an EIZO dealer. The latest FAQ information is supplied on EIZO homepage (<http://www.eizo.com/>).

- No Picture Problems

Problems	Points to check with possible solutions
1. No picture <ul style="list-style-type: none"> Indicator status: Off 	<input type="checkbox"/> Check that the power cord is correctly connected. If the problem persists, turn off the monitor power for a few minutes, then turn it back on and try again.
<ul style="list-style-type: none"> Indicator status: Blue Indicator status: Yellow Flashing 	<input type="checkbox"/> Check the “Brightness” setting. <input type="checkbox"/> Switch the signal input by pressing the Input Signal Selection Button on the front control panel. <input type="checkbox"/> Try pressing the power switch.
2. Following messages appear. (Error messages shown below will remain on the screen for 40 seconds.) 	<p>These message appear when the signal is not inputted correctly, even if the monitor functions properly.</p> <input type="checkbox"/> When the image is displayed correctly after a short time, there is no problem with the monitor. (Some PCs do not output the signal soon after powering on.) <input type="checkbox"/> Check that the PC is turned ON. <input type="checkbox"/> Check that the signal cable is properly connected to the PC or graphics board. <input type="checkbox"/> Switch the signal input by pressing the Input Signal Selection Button on the front control panel.
<ul style="list-style-type: none"> Whenever an error signal message appears, the signal frequency will be displayed in red. 	<input type="checkbox"/> Use the graphics board’s utility software to change the frequency setting. (Refer to the manual of the graphics board.)

- Imaging problems

Problems	Points to check with possible solutions
<p>3. Display position is incorrect.</p> 	<ul style="list-style-type: none"> <input type="checkbox"/> Adjust the image position using the <Position> (p.22) <input type="checkbox"/> The two display modes, VGA 720 x 400 (70 Hz) and 320 x 200 (70 Hz), have the same signal timings. Using this adjustment selects the appropriate display mode. (This function effects only when the resolution is VGA 720 x 400 (70 Hz) or 320 x 200 (70 Hz). <input type="checkbox"/> If the problem persists, use the graphics board's utility software to change the display position if available.
<p>4. Vertical bars of distortion appear.</p> 	<ul style="list-style-type: none"> <input type="checkbox"/> Decrease the vertical bars using the <Clock>. (p.21)
<p>5. Horizontal bars of distortion appear.</p> 	<ul style="list-style-type: none"> <input type="checkbox"/> Decrease the horizontal bars using the <Phase>. (p.21)
<p>6. Letters and lines appear blurred.</p>	<ul style="list-style-type: none"> <input type="checkbox"/> Switch the <Smoothing> mode. (p.22)
<p>7. The screen is too bright or too dark.</p>	<ul style="list-style-type: none"> <input type="checkbox"/> Adjust the <Contrast and brightness> (The backlight of the LCD monitor has a fixed life span. When the screen becomes dark or begins to flicker, please consult your dealer.)
<p>8. Afterimages appear.</p>	<ul style="list-style-type: none"> <input type="checkbox"/> When the screen image is changed after displaying the same image for a long period, an afterimage may appear. The "Afterimage" can be removed gradually by changing the displayed image. Use the "Off Timer" function and avoid keeping the screen on all the time.(p.18)
<p>9. The screen has defective pixels (e.g. slightly light or dark).</p>	<ul style="list-style-type: none"> <input type="checkbox"/> This is due to the characteristics of the panel itself, and not the LCD product.

- Other problems

Problems	Points to check with possible solutions
10.The <Smoothing> cannot be selected.	<input type="checkbox"/> <Smoothing> is disabled when the screen is displayed in the 1280 x 1024.
11.The Enter Button does not operate.	<input type="checkbox"/> The adjustment lock is probably on. To unlock: switch the LCD monitor off. Then, while pressing the Auto Adjustment Button switch, the power on. (p.18)
12.The Auto Adjustment Button does not operate.	<input type="checkbox"/> The adjustment lock is probably on. To unlock: switch the LCD monitor off. Then, while pressing the Auto Adjustment Button switch, the power on. (p.18) <input type="checkbox"/> The Auto adjustment function is intended for use on the AT-compatible PC running Windows. It may not work properly in either of the following cases. <ul style="list-style-type: none"> • When running an AT-compatible PC on MS-DOS (Not windows). • The background color for the “wall paper” or “desktop” pattern is set to black. <input type="checkbox"/> Some signals from a graphics board may not function properly.

- Touch Panel Problems

Problems	Points to check with possible solutions
13.Cursor is jittery. / Drawing lines are not straight and smooth.	<input type="checkbox"/> The influence of metal may cause jittery cursor. <input type="checkbox"/> Using the monitor with dual-monitor system may cause jittery cursor. <input type="checkbox"/> Run the Stabilize Cursor option from the TouchWare.
14.Continuous touch sound./ Much time requirement for executing touch screen calibration or cursor stabilization.	<input type="checkbox"/> Check the baud rate for the touch panel on TouchWare. The baud rate of 1200 bps may cause continuous touch sound or much time requirement for executing touch screen calibration or cursor stabilization.

Problems	Points to check with possible solutions
15.Cursor position is not correct. / Cursor jumps.	<ul style="list-style-type: none">□ When cursor position is incorrect or cursor jumps, turn off and on the monitor.<ul style="list-style-type: none">• The drawing touch (touch operation with dragging the finger on the touch panel) to draw the picture may cause incorrect cursor position.• Changing the position or angle of the monitor while the monitor operation will cause cursor jump.• Keep metals away from the panel surface.• Point and touch with one finger only. Keep other fingers away from the touch screen. Do not rest the hand in the monitor or bezel while touching the screen.• Do not touch the screen while the computer is starting. Touch the screen after disappearing TouchWare starting window.• Do not touch the screen while turning on the monitor. Touch the screen one second later after appearing the image.• The spray for preventing static electricity may influences the sensibility of the touch panel. Do not use it on cleaning.

7. CLEANING

Periodic cleaning is recommended to keep the monitor looking new and to prolong its operation lifetime.

NOTE

- Never use thinner, benzene, ethanol, abrasive cleaners, or other strong solvents, as these may cause damage to the cabinet or panel.
- Never use spray for preventing static electricity, as it may influence the sensibility of the touch panel.

Cabinet

To remove stains, wipe the cabinet with a soft, lightly moistened cloth using a mild detergent. Do not spray wax or cleaner directly into the cabinet. (For details, refer to the manual of the PC.)

Panel

- The Panel surface can be cleaned with a soft cloth, such as cotton or lens paper.
- If necessary, stubborn stains can be removed by moistening part of a cloth with water or isopropyl alcohol to enhance its cleaning power.

8. SPECIFICATIONS

LCD Panel		48 cm (19.0 inch), TFT color LCD panel with Anti-Glare Hard Coating, Viewing Angle: H: 178°, V: 178° (CR≥10)
Dot Pitch		0.294 mm
Horizontal Scan Frequency		Analog: 30 ~ 81 kHz (Automatic) Digital: 30 ~ 65 kHz
Vertical Scan Frequency		Analog: 49.5 ~ 75.5 Hz (Automatic) Digital: 59 ~ 61 Hz, (VGA Text : 70Hz)
Resolution		1 M pixels (1280 dots x 1024 lines)
Dot Clock (Max.)		Analog: 135 MHz Digital: 109 MHz
Display Colors		16 million colors (max.)
Display Area		376.3 mm (H) x301.0 mm (V) (13.7" (H) x 11.0" (V)) (Viewable image size: 481 mm (18.9"))
Touch Panel	OS	Microsoft Windows 2000/XP (Not compatible with MacOS)
	Communication protocol	RS-232C serial
	Detective method	Analog capacitive technology, finger touch
Power Supply		100-120/200-240 VAC±10%, 50/60 Hz, 0.65-0.55 A/0.4-0.35 A
Power Consumption		Max.: 40 W
Input Connector		D-Sub mini 15 pin, DVI-D
Analog Input Signal (Sync)		Separate, TTL, Positive/Negative
Analog Input Signal (Video)		0.7Vp-p/75Ω Positive
Input Signal (Digital)		TMDS (Single Link)
Signal registration		Analog: 45 (Factory preset: 22)
Plug & Play		VESA DDC 2B
Dimensions	with stand	414 mm (W) x 442.5 ~524.5mm(H) x 208.5 mm (D) (16.3"(W) x 17.4" ~ 20.6"(H) x 8.2"(D))
	without stand	414 mm (W) x 340 mm (H) x 64 mm (D) (16.3"(W) x 13.4"(H) x 2.52" (D))
Weight	with stand	9.0 kg (19.8 lbs.)
	without stand	6.0 kg (13.2 lbs.)
Environment conditions	Temperature	Operating: 0 °C ~ 35 °C (32 °F ~ 95 ° F) Storage: -20 °C ~ 60 °C (-4 °F ~ 140 ° F)
	Humidity	30% to 80% R.H. Non-condensing
	Pressure	860 to 1,060 hPa
Certifications and Standards 100-120 VAC 200-240 VAC		CB, NRTL/C-TÜV, FCC-B CE(93/42/EEC), CB, TÜV Rheinland/GM
Classification of Equipment		Type of protection against electric shock: Class I EMC class: EN60601-1-2 2001: Group1 Class B Classification of medical device (MDD 93/42/EEC): Class I

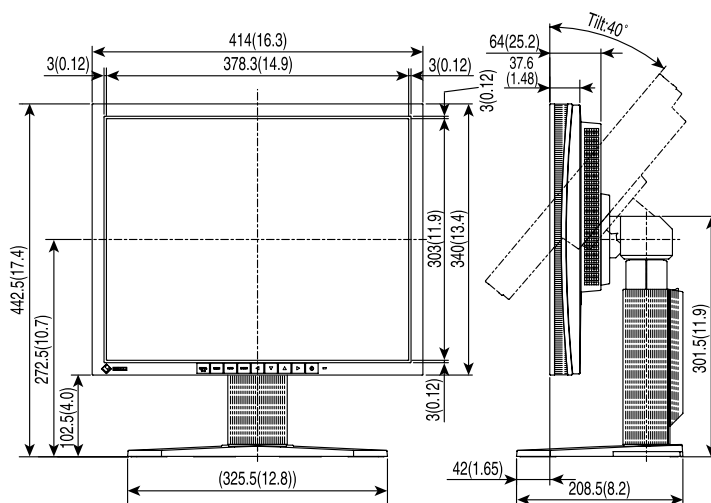
Default settings

Brightness	100%
Smoothing	3
Temperature	Off (normal white: approx. 6500 K)
Input Signal	Auto
Off Timer	Disable
Language	English

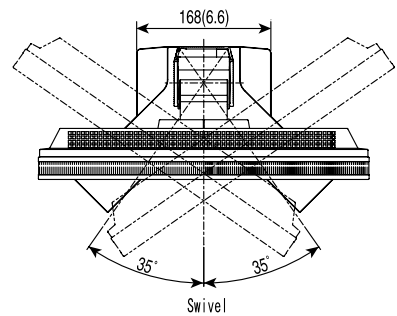
Optional

Touch Panel Pointer	TP1
---------------------	-----

Dimensions

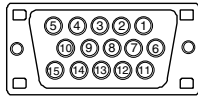


Unit mm (inches)



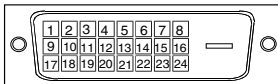
Pin Assignment

D-Sub mini 15 pin connector



Pin No.	Signal	Pin No.	Signal	Pin No.	Signal
1	Red video	6	Red ground	11	Ground Shorted
2	Green video	7	Green ground	12	Data (SDA)
3	Blue video	8	Blue ground	13	H. Sync
4	Ground	9	No pin	14	V. Sync
5	No pin	10	Ground Shorted	15	Clock (SCL)

DVI-D Connector



Pin No.	Signal	Pin No.	Signal	Pin No.	Signal
1	TMDS Data2-	9	TMDS Data1-	17	TMDS Data0-
2	TMDS Data2+	10	TMDS Data1+	18	TMDS Data0+
3	TMDS Data2/4 Shield	11	TMDS Data1/3 Shield	19	TMDS Data0/5 Shield
4	NC*	12	NC	20	NC
5	NC	13	NC	21	NC
6	DDC Clock (SCL)	14	+5V Power	22	TMDS Clock shield
7	DDC Data (SDA)	15	Ground (For +5V)	23	TMDS Clock+
8	Analog Vertical Sync	16	Hot Plug Detect	24	TMDS Clock-

(*NC: No Connection)

RS-232C Port (Mini DIN 6 pin)



Pin No.	Signal
1	RXD
2	RTS
3	CTS
4	GND
5	TXD
6	GND

9. GLOSSARY

Clock

With the analog input signal display, the analog signal is converted to a digital signal by the LCD circuitry. To convert the signal correctly, the LCD monitor needs to produce the same number clock pulse as the dot clock of the graphics system. When the clock pulse is not correctly set, some vertical bars of distortion are displayed on the screen.

Color Temperature (Temperature)

Color Temperature is a method to measure the white color tone, generally indicated in degrees Kelvin. At high temperatures the white tone appears somewhat blue, while at lower temperatures it appears somewhat red. Computer monitors generally give best performance at high temperature settings.

5,000 K: Slightly reddish white.

6,500 K: Warm-white tone, similar to white paper or daylight.

9,300 K: Slightly bluish white.

DVI

(Digital Visual Interface)

A digital flat panel interface. DVI can transmit digital data from the PC directly without loss with the signal transition method "TMDS".

There are two kinds of DVI connectors. One is DVI-D connector for digital signal input only. The other is DVI-I connector for both digital and analog signal inputs.

Gain Adjustment

Adjusts each color parameter for red, green and blue. The color of the LCD monitor is displayed through the color filter of the LCD panel. Red, green and blue are the three primary colors. The colors on the monitor are displayed by combining these three colors. The color tone can change by adjusting the illumination amount passed through each color's filter.

Gamma

Generally, the relationship that the light intensity values of a monitor change nonlinearly to the input signal level is called "Gamma Characteristic". On the monitor, low gamma values display the whitish images and high gamma values display the high contrast images.

Phase

The phase adjustment decides the sampling timing point for converting the analog input signal to a digital signal. Adjusting the phase after the clock adjustment will produce a clear screen.

Range Adjustment

The Range Adjustment controls the level of output signal range to display the whole color gradation.

Resolution

The LCD panel consists of a fixed number of pixel elements which are illuminated to form the screen image. The EIZO L760T-C display panel consists of 1280 horizontal pixels and 1024 vertical pixels. At a resolution of 1280 x 1024, all pixels are displayed as a full screen.

sRGB (Standard RGB)

“International Standard for Red, Green, and Blue color space”

A color space was defined with the aim of the color matching between applications and hardware devices, such as monitors, scanners, printers and digital cameras. As a standard default space, sRGB allows Internet users to closely match colors.

TMDS

(Transition Minimized Differential Signaling)

A signal transition method for the digital interface.

APPENDIX/ANHANG/ANNEXE

Preset Timing Chart for Analog input Timing-Übersichten für Analog Eingang Synchronisation des Signaux pour Analog numerique

Based on the signal diagram shown below 16 factory presets have been registered in the monitor's microprocessor.

Der integrierte Mikroprozessor des Monitors unterstützt 16 werkseitige Standardeinstellungen (siehe hierzu die nachfolgenden Diagramme).

16 signaux ont été enregistrés en usine dans le microprocesseur du moniteur, conformément au diagramme de synchronisation ci-dessous.

Mode	Dot Clock MHz	Sync Polarity		Frequencies	
		H	V	H kHz	V Hz
VGA Mode13 320 × 200	25.2	Nega.	Nega.	31.47	59.94
VGA 640 × 480	25.2	Nega.	Nega.	31.47	59.94
VGA 720 × 400	28.3	Nega.	Posi.	31.47	70.09
VESA 640 × 480	31.5	Nega.	Nega.	37.86	72.81
VESA 640 × 480	31.5	Nega.	Nega.	37.50	75.00
VESA 800 × 600	36.0	Posi.	Posi.	35.16	56.25
VESA 800 × 600	40.0	Posi.	Posi.	37.88	60.32
VESA 800 × 600	50.0	Posi.	Posi.	48.08	72.19
VESA 800 × 600	49.5	Posi.	Posi.	46.88	75.00
VESA 1024 × 768	65.0	Nega.	Nega.	48.36	60.00
VESA 1024 × 768	75.0	Nega.	Nega.	56.48	70.07
VESA 1024 × 768	78.8	Posi.	Posi.	60.02	75.03
VESA 1152 × 864	108.0	Posi.	Posi.	67.50	75.00
VESA 1280 × 960	108.0	Posi.	Posi.	60.00	60.00
VESA 1280 × 1024	108.0	Posi.	Posi.	63.98	60.02
VESA 1280 × 1024	135.0	Posi.	Posi.	79.98	75.03

For U.S.A, Canada, etc. (rated 100-120 Vac) Only

FCC Declaration of Conformity

We, the Responsible Party EIZO NANA O TECHNOLOGIES INC.
5710 Warland Drive, Cypress, CA 90630
Phone: (562) 431-5011

declare that the product Trade name: EIZO
Model: FlexScan L760T-C

is in conformity with Part 15 of the FCC Rules. Operation of this product is subject to the following two conditions: (1) this device may not cause harmful interference, and (2) this device must accept any interference received, including interference that may cause undesired operation.

This equipment has been tested and found to comply with the limits for a Class B digital device, pursuant to Part 15 of the FCC Rules. These limits are designed to provide reasonable protection against harmful interference in a residential installation. This equipment generates, uses, and can radiate radio frequency energy and, if not installed and used in accordance with the instructions, may cause harmful interference to radio communications. However, there is no guarantee that interference will not occur in a particular installation. If this equipment does cause harmful interference to radio or television reception, which can be determined by turning the equipment off and on, the user is encouraged to try to correct the interference by one or more of the following measures.

- * Reorient or relocate the receiving antenna.
- * Increase the separation between the equipment and receiver.
- * Connect the equipment into an outlet on a circuit different from that to which the receiver is connected.
- * Consult the dealer or an experienced radio/TV technician for help.

Changes or modifications not expressly approved by the party responsible for compliance could void the user's authority to operate the equipment.

Note

Use the attached specified cable below or EIZO signal cable with this monitor so as to keep interference within the limits of a Class B digital device.

- AC Cord
- Shielded Signal Cable
- Stereo mini-jack cable

Canadian Notice

This Class B digital apparatus complies with Canadian ICES-003.
Cet appareil numérique de la classe B est conforme à la norme NMB-003 du Canada.

Hinweise zur Auswahl des richtigen Schwenkarms für Ihren Monitor

Dieser Monitor ist für Bildschirmarbeitsplätze vorgesehen. Wenn nicht der zum Standardzubehör gehörige Schwenkarm verwendet wird, muss statt dessen ein geeigneter anderer Schwenkarm installiert werden. Bei der Auswahl des Schwenkarms sind die nachstehenden Hinweise zu berücksichtigen:

Der Standfuß muß den nachfolgenden Anforderungen entsprechen:

- a) Der Standfuß muß eine ausreichende mechanische Stabilität zur Aufnahme des Gewichtes vom Bildschirmgerät und des spezifizierten Zubehörs besitzen. Das Gewicht des Bildschirmgerätes und des Zubehörs sind in der zugehörigen Bedienungsanleitung angegeben.
- b) Die Befestigung des Standfusses muß derart erfolgen, daß die oberste Zeile der Bildschirmanzeige nicht höher als die Augenhöhe eines Benutzers in sitzender Position ist.
- c) Im Fall eines stehenden Benutzers muß die Befestigung des Bildschirmgerätes derart erfolgen, daß die Höhe der Bildschirmmitte über dem Boden zwischen 135 – 150 cm beträgt.
- d) Der Standfuß muß die Möglichkeit zur Neigung des Bildschirmgerätes besitzen (max. vorwärts: 5°, min. nach hinten $\geq 5^\circ$).
- e) Der Standfuß muß die Möglichkeit zur Drehung des Bildschirmgerätes besitzen (max. $\pm 180^\circ$). Der maximale Kraftaufwand dafür muß weniger als 100 N betragen.
- f) Der Standfuß muß in der Stellung verharren, in die er manuell bewegt wurde.
- g) Der Glanzgrad des Standfusses muß weniger als 20 Glanzeinheiten betragen (seidenmatt).
- h) Der Standfuß mit Bildschirmgerät muß bei einer Neigung von bis zu 10° aus der normalen aufrechten Position kippsicher sein.

Recycle Auskunft

Die Rücknahme dieses Produktes nach Nutzungsende übernimmt EIZO in Deutschland zusammen mit dem Partner eds-r gmbh rücknahmesysteme. Dort werden die Geräte in ihre Bestandteile zerlegt, die dann der Wiederverwertung zugeführt werden. Um einen Abholtermin zu vereinbaren und die aktuellen Kosten zu erfahren, benutzen Sie bitte folgende Rufnummer: 02153-73 35 00. Weitere Informationen finden Sie auch unter der Internet-Adresse: www.eizo.de.

Recycling Information for customers in Switzerland:

All recycling information is placed in the SWICO's website.
<http://www.swico.ch>

Recycling-Information für Kunden in der Schweiz:

Alle Informationen zum Thema Recycling finden Sie auf der Homepage des Branchenverbandes SWICO.
<http://www.swico.ch>

Renseignements de recyclage pour les clients en Suisse:

Vous trouvez tous les renseignements pour le sujet de recyclage sur la page WEB de l'UNION DE BRAN CHE SWICO.
<http://www.swico.ch>

Recycling Information for customers in USA:

All recycling information is placed in the EIZO Nanao Technologies, Inc's website.
<http://www.eizo.com/contact/index.html>

Återvinnings information för kunder i Sverige:

All information om återvinning finns på Eizo Europe AB:s hemsida:
www.eizo.se



EIZO NANA O CORPORATION

153 Shimokashiwano, Hakusan, Ishikawa 924-8566 Japan
Phone: +81 76 277 6792 Fax: +81 76 277 6793

EIZO NANA O TECHNOLOGIES INC.

5710 Warland Drive, Cypress, CA 90630
Phone: +1 562 431 5011 Fax: +1 562 431 4811

EIZO EUROPE AB

Kanalvägen 12 194 61, Upplands Väsby, Sweden
Phone: +46 8 590 80 000 Fax: +46 8 590 91 575

Avnet Technology Solutions GmbH

Lötscher Weg 66, D-41334 Nettetal, Germany
Phone: +49 2153 733-400 Fax: +49 2153 733-483

<http://www.eizo.com/>



This document is printed on recycled chlorine free paper.

1st Edition-February, 2005 Printed in Japan.

00NOL103A1
(L760T-C-EU)

Free Manuals Download Website

<http://myh66.com>

<http://usermanuals.us>

<http://www.somanuals.com>

<http://www.4manuals.cc>

<http://www.manual-lib.com>

<http://www.404manual.com>

<http://www.luxmanual.com>

<http://aubethermostatmanual.com>

Golf course search by state

<http://golfingnear.com>

Email search by domain

<http://emailbydomain.com>

Auto manuals search

<http://auto.somanuals.com>

TV manuals search

<http://tv.somanuals.com>