

User's Manual

LA-130-D/LA-120-D

LCD Monitor Flexible Arm

Thank you very much for choosing the EIZO product.

Please read this User's Manual carefully to familiarize yourself with safe and effective usage procedures.

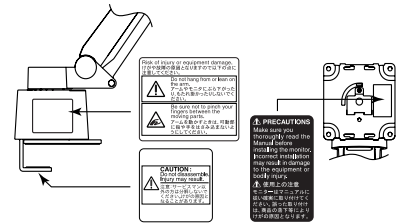
Please retain this manual for future reference.



PRECAUTIONS

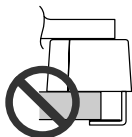
- To ensure personal safety and proper maintenance, please read this section and the caution statements on the unit.

[Location of the Caution Statements]

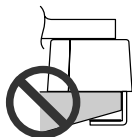


WARNING

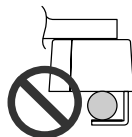
- **Attach the arm to the LCD monitor that weights between 2.5 kg and 5.5 kg.**
Not doing so may cause the arm or monitor to fall, which may result in injury or equipment damage.
- **Affix the arm securely on the base.**
Not doing so may cause the monitor to fall and result in injury or equipment damage.
- **Affix the arm on an appropriate base.**
Do not affix the arm on such a base as shown below or on a weak base which cannot support the monitor or arm. Affixing the arm on these bases may cause the monitor to fall and result in injury.



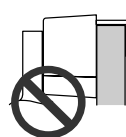
Not hooking enough



On tapered desk



On Pole



On Wall

- **Clamp the screws of the arm tightly.**
If the arm becomes unstable, clamp the hex-head screws of the arm securely again. Loose clamping may cause the monitor to fall and result in injury or equipment damage.
- **Do not hang from or lean on the arm.**
Doing so may cause the monitor to tumble or fall and result in injury or equipment damage.
- **When moving the arm, be sure not to pinch a finger between the moving parts.**
- **When rotating the monitor for portrait display, make a space enough between a desk and a monitor not to pinch a finger.**
- **Do not disassemble.**
The spring mechanism inside of the stand may result in injury or equipment damage when disassembling.
- **Attach the arm with another person.**
Do not attach it alone. Doing so may result in injury or equipment damage.



Package Contents

Please contact your local dealer for assistance if any of the listed items are missing or damaged. Use specified screws for tightening up between arm, fitting and monitor referring to the back of this manual.

- Arm
- Arm Cover x 2 pcs
- Mounting Screws M4 x 8 (black) x 4 pcs
- User's Manual
- Stand Mounting Cover
- Mounting Screws M4 x 12 (silver/long) x 4 pcs
- Fitting
- Hex-head wrench
- Mounting Screws M4 x 8 (silver/short) x 4 pcs*

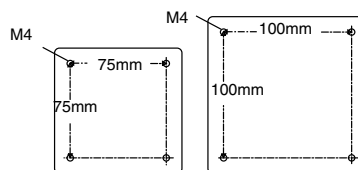
*Screws for attaching the monitor with fitting to arm when the monitor's hole spacing is 100 mm x 100 mm.

Compatible Monitors and Desks

● Monitors

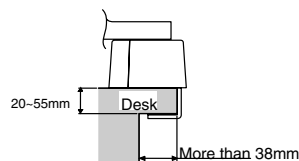
Weight Capability*	2.5 kg to 5.5 kg
Hole Spacing	75 mm x 75 mm / 100 mm x 100 mm (VESA compatible)

*Weight : Total weight of the monitor including the weight of the cables and optional peripherals.



● Desks

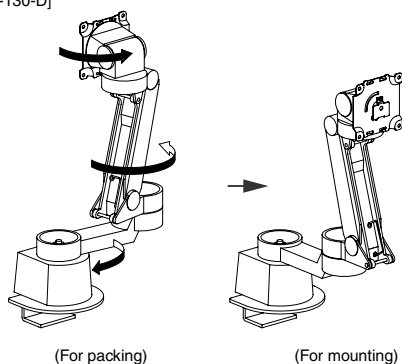
Weight Capability	50 kg min. (recommended)
Thickness and Depth	Refer to right figure



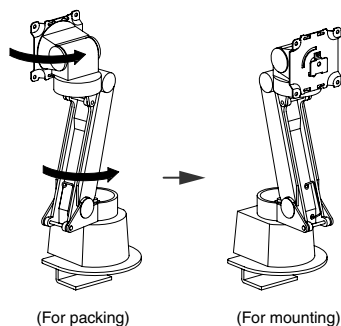
How to attach the monitor

1. Unfold the arm before affixing the arm to the base.

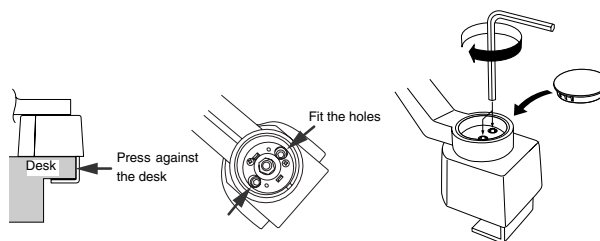
[LA-130-D]



[LA-120-D]



2. Clamp the arm to the edge of the desk.
 - (1) Press the desk clamp against the edge of the desk.
 - (2) Fit the holes on the base of arm to hex-threaded-hole.
 - (3) Drive two screw holes by turns with hex-head wrench. After clamping the arm, covering the screw holes with Stand Mounting cover.



NOTE

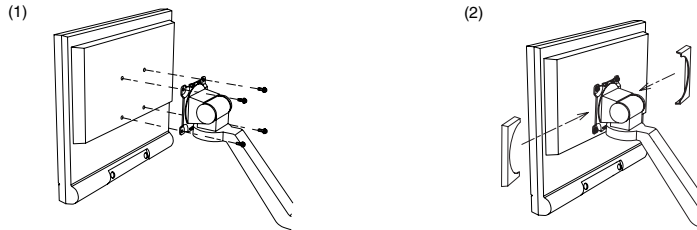
- The arm may not affix firmly to the base if driving either screw in tightly.
- If attaching the LA-120-D, bend the arm slightly forward in advance. Not doing so may scratch the arm by a hex-head wrench.

3. Attach the monitor to the arm.

Use specified screws for tightening up between arm, fitting and monitor referring to the back of this manual.

<The monitor employing 75 mm x 75 mm arm mounting holes>

- (1) Attach the arm to the monitor with specific screws (M4 x 8 (black) or M4 x 12 (silver/long), 4 points).
- (2) Put in the covers to the shield plate with sliding them rightward or leftward.

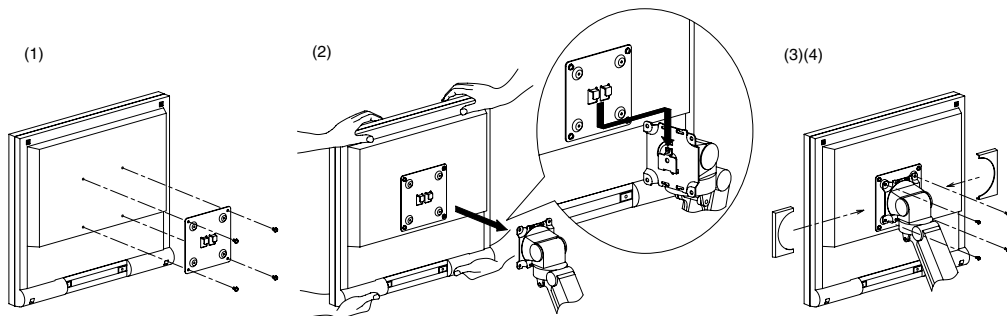


NOTE

- Adjust the angle of the monitor to face upward slightly so that the cover can be mounted easily.

<The monitor employing 100 mm x 100 mm arm mounting holes>

- (1) Mount the fitting on the rear of monitor with specific screws (M4 x 8 (black) or M4 x 12 (silver/long), 4 points).
- (2) Hook the monitor with fitting of to the arm.
- (3) Attach the arm to the monitor with fitting by using screws (M4 x 8 (silver/short), 4 points).
- (4) Put in the covers to the shield plate with sliding them rightward or leftward.

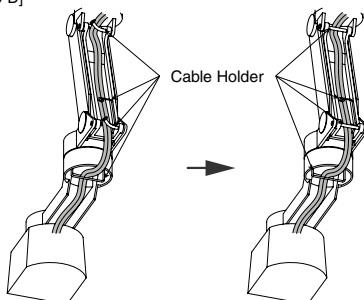


NOTE

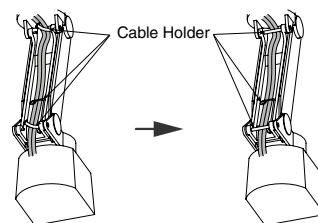
- Adjust the angle of the monitor to face upward slightly so that the cover can be mounted easily.

4. Lead the power cord and signal cable into the cable holder at inner side of the arm.

[LA-130-D]



[LA-120-D]



NOTE

- The number of cable holder may differ from each model.
- The cables are recommended to lead with slight sag for the smooth motion of the monitor for portrait display.

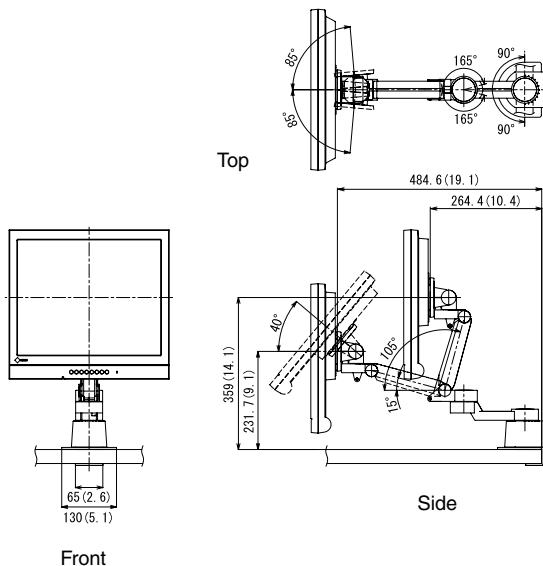
Specifications

LA-130-D

Dimension (W) x (H) x (D)	130 (5.1) x 303.8 ~ 466.1 (12.0 ~ 18.4) x 275.6 ~ 495.8 (10.9 ~ 19.5) mm (inch)
Weight	2.8 kg / 6.2 lbs

■ Dimensions

Unit: mm (inch)

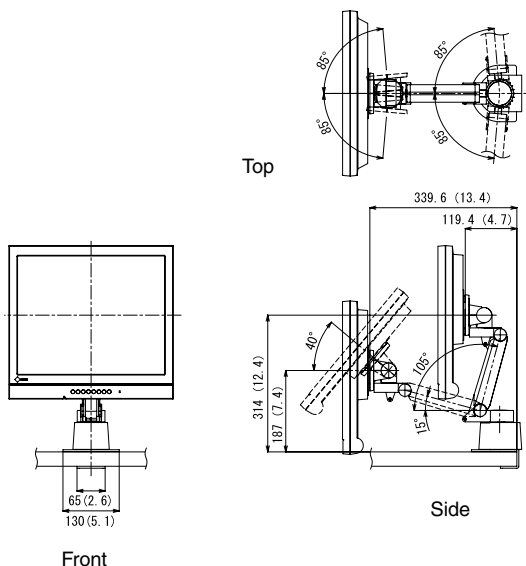


LA-120-D

Dimension (W) x (H) x (D)	130 (5.1) x 259.2 ~ 421.5 (10.2 ~ 16.6) x 130.6 ~ 350.8 (5.1 ~ 13.8) mm (inch)
Weight	2.5 kg / 5.5 lbs

■ Dimensions

Unit: mm (inch)



NOTE

- The value within the dimensions drawing is only for reference, and range of motion may differ according to the installed condition.

LIMITED WARRANTY

EIZO NANO CORPORATION (“EIZO”) and EIZO’s authorized distributors warrant to the original purchaser that this product shall be free from defects in material and workmanship for a period of one (1) year from the date of purchase. The service parts stock for the product shall be maintained for five (5) years after the production is discontinued. This warranty is valid only in the countries where EIZO’s authorized distributors are located.

In the event of malfunction of the product during the warranty period attributable directly to defective material and/or workmanship, EIZO and EIZO’s authorized distributors will, at their option, either repair or replace the defective product. EIZO and EIZO’s authorized distributors shall have no obligation under this warranty, however, in the following cases:

- (a) Any defect of the product caused by freight damage, modification, alteration, abuse, misuse, accident, incorrect installation, disaster, faulty maintenance or improper repair by third party other than EIZO and EIZO’s authorized distributors.
- (b) Any incompatibility of the product due to possible technical innovations or regulations.
- (c) Any deformation, discoloration, warp, loss of brightness or focus, or whatsoever due to normal deterioration of the product.
- (d) Any defect of the product caused by external equipment.
- (e) Any defect of the product on which the original serial number has been altered or removed.
- (f) Any exchange of products due to the normal depletion of consumables such as batteries.

To obtain service under this warranty, the original purchaser must deliver the product, freight prepaid, in its original package or other adequate package affording an equal degree of protection, assuming the risk of damage and/or loss in transit, to your local EIZO authorized distributor. The original purchaser must present proof of purchase establishing the date of purchase of the product when requesting warranty service.

Warranty period for any replaced and/or repaired product under this warranty shall expire at the end of the original warranty period.

EIZO OR EIZO’S AUTHORIZED DISTRIBUTORS ARE NOT RESPONSIBLE FOR ANY DAMAGE TO, OR LOSS OF, DATA OR OTHER INFORMATION STORED IN ANY MEDIA OR ANY PART OF ANY PRODUCT RETURNED TO EIZO OR EIZO’S AUTHORIZED DISTRIBUTORS FOR REPAIR.

EIZO AND EIZO’S AUTHORIZED DISTRIBUTORS MAKE NO FURTHER WARRANTIES, EXPRESS OR IMPLIED, WITH RESPECT TO THE PRODUCT AND ITS QUALITY, PERFORMANCE, MERCHANTABILITY OR FITNESS FOR ANY PARTICULAR USE. IN NO EVENT SHALL EIZO OR EIZO’S AUTHORIZED DISTRIBUTORS BE LIABLE FOR ANY INCIDENTAL, INDIRECT, SPECIAL, CONSEQUENTIAL OR OTHER DAMAGES WHATSOEVER (INCLUDING, WITHOUT LIMITATION, DAMAGES FOR LOSS OF PROFIT, BUSINESS INTERRUPTION, LOSS OF BUSINESS INFORMATION, OR ANY OTHER PECUNIARY LOSS) ARISING OUT OF THE USE OR INABILITY TO USE THE PRODUCT OR IN ANY CONNECTION WITH THE PRODUCTS, WHETHER BASED ON CONTRACT, TORT, NEGLIGENCE, STRICT LIABILITY OR OTHERWISE, EVEN IF EIZO OR EIZO’S AUTHORIZED DISTRIBUTORS HAVE BEEN ADVISED OF THE POSSIBILITY OF SUCH DAMAGES. THIS EXCLUSION ALSO INCLUDES ANY LIABILITY WHICH MAY ARISE OUT OF THIRD PARTY CLAIMS AGAINST THE ORIGINAL PURCHASER. THE ESSENCE OF THE PROVISION IS TO LIMIT THE POTENTIAL LIABILITY OF EIZO AND EIZO’S AUTHORIZED DISTRIBUTORS ARISING OUT OF THIS LIMITED WARRANTY AND/OR SALES.

Recycle Auskunft

Die Rücknahme dieses Produktes nach Nutzungsende übernimmt EIZO in Deutschland zusammen mit dem Partner eds-r gmbh rücknahmesysteme. Dort werden die Geräte in ihre Bestandteile zerlegt, die dann der Wiederverwertung zugeführt werden. Um einen Abholtermin zu vereinbaren und die aktuellen Kosten zu erfahren, benutzen Sie bitte folgende Rufnummer: 02153-73 35 00. Weitere Informationen finden Sie auch unter der Internet-Adresse: www.eizo.de.

Recycling Information for customers in Switzerland:

All recycling information is placed in the SWICO's website.

<http://www.swico.ch>

Recycling-Information für Kunden in der Schweiz:

Alle Informationen zum Thema Recycling finden Sie auf der Homepage des Branchenverbandes SWICO.

<http://www.swico.ch>

Renseignements de recyclage pour les clients en Suisse:

Vous trouvez tous les renseignements pour le sujet de recyclage sur la page WEB de l'UNION DE BRAN CHE SWICO.

<http://www.swico.ch>

Recycling Information for customers in USA:

All recycling information is placed in the EIZO Nanao Technologies, Inc's website.

<http://www.eizo.com/contact/index.html>

Återvinnings information för kunder i Sverige:

All information om återvinning finns på Eizo Europe AB:s hemsida:

www.eizo.se

Free Manuals Download Website

<http://myh66.com>

<http://usermanuals.us>

<http://www.somanuals.com>

<http://www.4manuals.cc>

<http://www.manual-lib.com>

<http://www.404manual.com>

<http://www.luxmanual.com>

<http://aubethermostatmanual.com>

Golf course search by state

<http://golfingnear.com>

Email search by domain

<http://emailbydomain.com>

Auto manuals search

<http://auto.somanuals.com>

TV manuals search

<http://tv.somanuals.com>