

User's Manual

i·Sound™ L2

Sound Unit for LCD Monitor

Important Please read this User's Manual carefully to familiarize yourself with safe and effective usage procedures. Please retain this manual for future reference.



SAFETY SYMBOLS

This manual uses the safety symbols below. They represent critical information. Please read them carefully.



WARNING

Failure to abide by the information in a **WARNING** may result in serious injury and can be life threatening.



CAUTION

Failure to abide by the information in a **CAUTION** may result in moderate injury and/or property or product damage.



Indicates a prohibited action.

Copyright© 2000 by EIZO NANAO CORPORATION. All rights reserved. No part of this manual may be reproduced, stored in a retrieval system, or transmitted, in any form or by any means, electronic, mechanical, or otherwise, without the prior written permission of Eizo Nanao Corporation.


Eizo Nanao Corporation is under no obligation to hold any submitted material or information confidential unless prior arrangements are made pursuant to EIZO's receipt of said information.

Although every effort has been made to ensure that this manual provides up-to-date information, please note that EIZO speaker unit specifications are subject to change without notice.

/Sound is a trademark of Eizo Nanao Corporation.
EIZO is a registered trademark of Eizo Nanao Corporation.

CONTENTS

- The EIZO *i*-Sound L2 should only be used as a sound unit for the new range of ultra-slim-bezel incorporate EIZO LCD monitors.
-

 PRECAUTIONS	3
1. INTRODUCTION	5
2. INSTALLATION	9
3. TROUBLESHOOTING	13
4. CLEANING	14
5. SPECIFICATIONS	15
LIMITED WARRANTY	17



PRECAUTIONS

General



CAUTION

- Remove the sound unit whenever moving the monitor.

Lifting the monitor by the sound unit is dangerous. It may result in injury or equipment damage.

- When adjusting the viewing angle of the monitor, do not do so by the sound unit.

Adjusting the monitor by the sound unit may dislodge it from the LCD monitor or result in accidental pinching of the skin. Be careful not to drop or tip over the LCD monitor when removing the sound unit from the monitor.

Cleaning

WARNING

- Keep liquids away from the monitor and the sound unit. Spillage into the unit may result in fire, shock, or equipment damage.

CAUTION

- To ensure safety, always unplug the monitor before cleaning the sound unit. Failure to do so may result in electric shock.
- Never use thinner, benzene, or other strong solvents or abrasive cleaners to clean the unit, as these may cause damage to the unit.



Others

- The sound unit is shielded to prevent creating a magnetic field. However, it is advisable not to place any magnetic items (ex. recorded cassette tapes, watches, cash cards, floppy diskette, etc.) near the unit to avoid any ill-effects to the items.
- The EIZO *i*-Sound™ L2 should only be used as a sound unit for the new range of ultra-slim-bezel incorporate EIZO LCD monitors. It should not be used for any other purposes. Please ask the EIZO dealer for more information.

1. INTRODUCTION

About This Manual

This manual explains the precautions, features, specifications, and operation of the EIZO *i*-Sound™ L2 sound unit.

Package Contents

- *i*-Sound L2 Sound Unit 1
- Stereo Mini-jack Cables 1
- User's Manual 1

NOTE

- If any of the above-listed items is missing or damaged, please contact your local dealer for assistance.
- We recommend that you retain the original packing materials in case of future need.

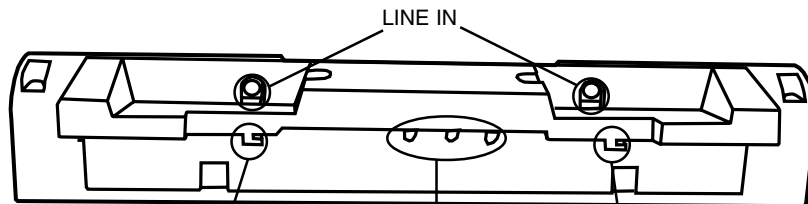
Features

The EIZO *i*-Sound L2 sound unit for LCD monitor is specifically designed for the new range of EIZO LCD monitors to make them complete multimedia units. This unit has two speakers that produce clear stereo sound and a volume control. It also accepts audio input from different audio devices such as a sound board, CD and cassette player.

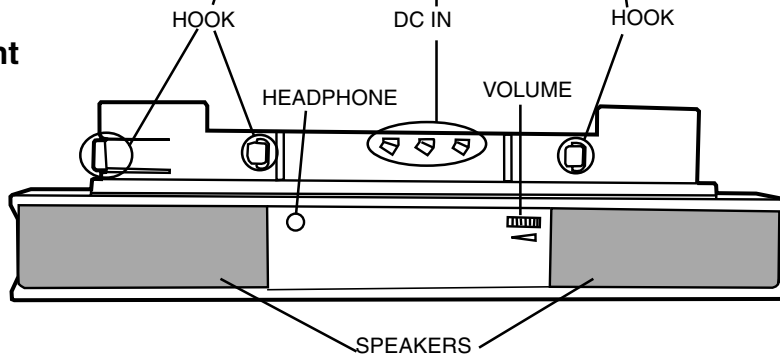
- Easy clip-on installation and a sleek professional look
- No need for an AC power cord. The unit is connected through a direct power supply connector (DC IN) from the monitor. When the monitor enters into a power saving mode, the speakers will turn off.
- Two LINE INs to connect two PCs. Each output sound will be mixed from the speakers or from the headphone.
- Volume Control

Controls and Connectors

Top



Front



E

Front / Top

- **DC IN:** Power supply from the monitor
After combining the monitor and the speaker unit, the DC IN connector allows for an automatic power supply of the speaker unit through the monitor.
- **HEADPHONE:** Headphones jack
A set of headphones is a great tool to work without disturbing people within a close range. When using the headphones, the speakers will not channel any audio information.
- **VOLUME:** Volume control dial
A volume control dial is provided to alter the sound level from the speakers or the headphones.
- **LINE IN:** External input jack
Please use this connection for external devices such as audio peripherals, computers, sound boards to input sound to be heard through the speakers or headphones.

2. INSTALLATION

NOTE

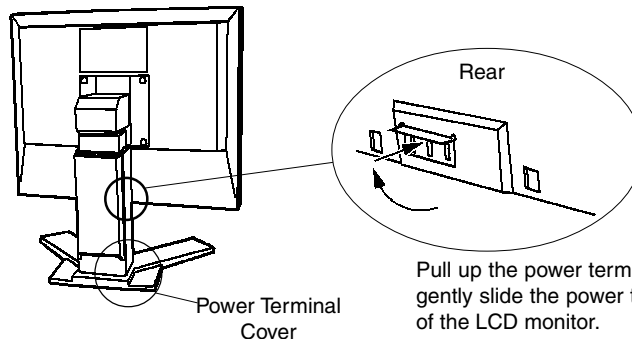
- Always switch the monitor off before installing or removing the sound unit and whenever connecting or disconnecting any other devices to the sound unit.

E

How to connect external audio devices and the computer

1. Remove the power terminal cover of the LCD monitor.

Turn off the LCD monitor and remove the power terminal cover as shown below. Pull up the power terminal cover with your finger, and gently slide the power terminal cover into the groove of the LCD monitor. The Power terminal cover stays open. Do not touch the power terminal with your finger.



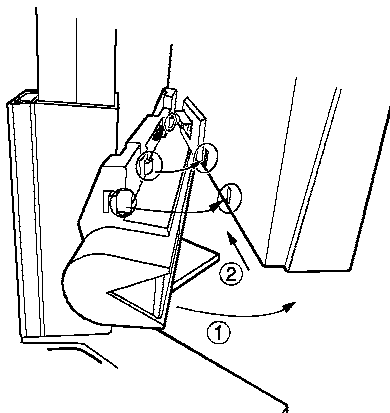
Pull up the power terminal cover with your finger, and gently slide the power terminal cover into the groove of the LCD monitor.

2. Connect the sound unit to the LCD monitor.

1. Attach the sound unit to the LCD monitor. Place the sound unit under the monitor screen and insert the hooks 'a' on top of the unit into slots 'a' located at the bottom of the rear of the monitor.
2. Slide the unit into place by pulling softly from side to side, and hook 'b' will snap into slot 'b'.

NOTE

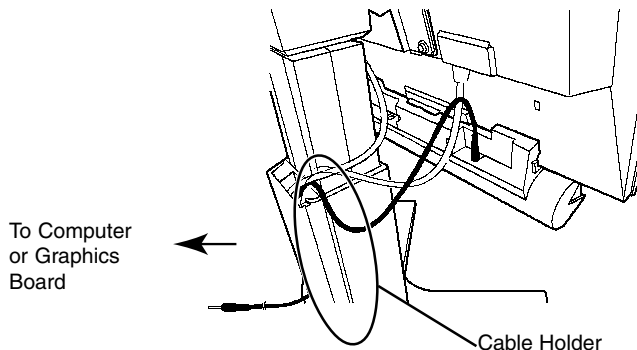
- To remove the sound unit from the monitor, please hold the unit and press on hook 'b' and slide the sound unit softly with both hands.



3. Connect the cable of the peripherals to the sound unit.

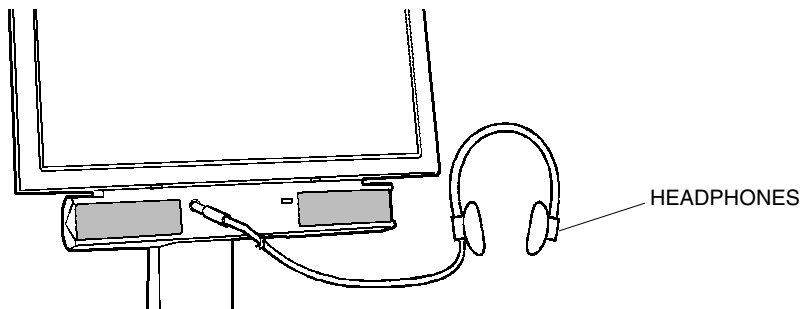
NOTE

- Please use the enclosed Stereo Mini-jack Cable (or another cable with the same specifications) for connecting audio devices or computers to the unit. When connecting two audio devices to the unit, please purchase another Stereo Mini-jack cable.
1. Connect the headphone jack (or a line out jack) of the device (or a computer) to the LINE IN jack of the sound unit using the Stereo Mini-jack Cable.
 2. Insert the power cord and signal cable into the cable holder of the height adjustable stand.

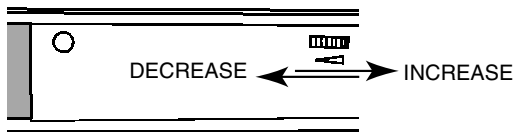


Speakers and sound control

1. Besides the speakers on its unit, audio performance is available by connecting the headphones to the *iSound L2* unit (When headphones are connected, no sound can be heard from the speakers.)



2. Please use the volume control to adjust to the desired sound level.



3. TROUBLESHOOTING

This page presents problems that can be corrected by the user. If a problem persists even after applying the suggested remedies, contact an EIZO dealer.

E

Problems	Points to check with possible solutions
• No sound	<ul style="list-style-type: none"><input type="checkbox"/> Check that the monitor is turned ON.<input type="checkbox"/> Check that the power terminal covers on the monitor are removed.<input type="checkbox"/> Check that the sound unit is correctly connected to the monitor.<input type="checkbox"/> Check that the PowerManager function of the monitor is not in effect.<input type="checkbox"/> Check that the audio devices are correctly connected to the sound unit.<input type="checkbox"/> Check that the connected audio devices are turned ON.<input type="checkbox"/> Check that the volume is set at an audible level.<input type="checkbox"/> If you connect a set of headphones, please remember that no sound will come out from the speakers. Check that the headphones are correctly connected to the appropriate jack for a good sound quality.

4. CLEANING

WARNING

- Keep liquids away from the monitor and the sound unit. Spillage into the unit may result in fire, shock, or equipment damage.
-

CAUTION

- To ensure safety, always unplug the monitor before cleaning the sound unit. Failure to do so may result in electric shock.
 - Never use thinner, benzene, or other strong solvents or abrasive cleaners to clean the unit, as these may cause damage to the unit.
-



- Periodic cleaning is recommended to keep the sound unit looking new and to prolong its operational lifetime.
- To remove stains, wipe the unit with a soft, lightly moistened cloth using a mild detergent. Do not spray wax or cleaner directly onto the case.

5. SPECIFICATIONS

Electrical Specifications

Speaker Unit	4 x 2.8 cm (two)
Speaker System	Bass Reflex type
Amplifier Output (max.)	2.0 W + 2.0 W
Frequency Response	200 Hz ~ 20 kHz
Control	Volume Control (speakers or headphones if hooked)
Power Supply	DC 15 V (supplied from monitor)
Power Consumption (max.)	6.0 W
Input Connector	External Line In Audio: stereo mini-jack
Output Connector	Headphone: stereo mini-jack

Mechanical Specifications

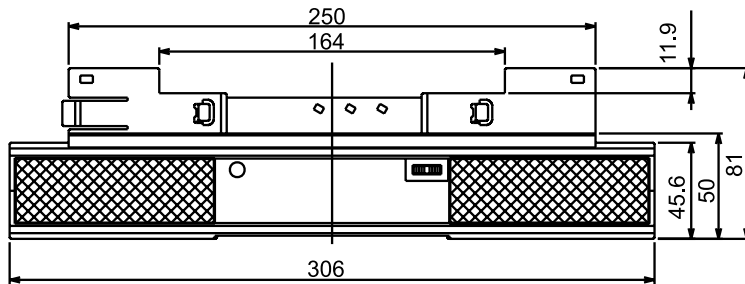
Dimensions	306 mm (W) x 81 mm (H) x 55 mm (D) 12,0" (W) x 3,2" (H) x 2,2" (D)
Weight	430 g (0,9 lbs.)

Operating Environmental Specifications

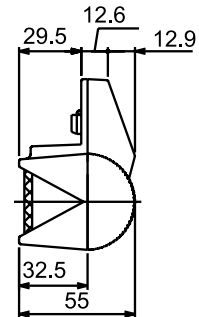
Temperature	Operating: 0 °C ~ 35 °C (32 °F ~ 104 °F) Storage: -20 °C ~ 60 °C (-20 °F ~ 140 °F)
Humidity	30% ~ 80% R. H. Non-condensing

DIMENSIONS

mm



FRONT VIEW



SIDE VIEW

LIMITED WARRANTY

Eizo Nanao Corporation (“EIZO”) and EIZO’s authorized distributors warrant to the original purchaser that the product shall be free from defect in material and/or workmanship for a period of three (3) years from the date of purchase.

In the event of malfunction during the warranty period attributable directly to faulty material and/or workmanship, EIZO and EIZO’s authorized distributors will, at their option, either repair or replace the faulty product with the same or similar model. EIZO and EIZO’s authorized distributors shall have no obligation under this warranty, however, in the following cases:

- (a) Any defect caused by freight damage, modification, alteration, abuse, misuse, accident, incorrect installation, disaster, faulty maintenance or improper repair by third party other than EIZO and EIZO’s authorized distributors.
- (b) Any deformation, discoloration, warping or whatsoever due to normal deterioration of the product.
- (c) Any incompatibility of the products with subsequent technical innovations or regulations.
- (d) Any defect of the product caused by external equipment.
- (e) Any defect of the product on which the original serial number has been altered or removed.

To obtain service under this warranty, the original purchaser must deliver the product, freight prepaid, in its original package or other adequate package affording an equal degree of protection, assuming the risk of damage and/or loss in transit, to your local EIZO authorized distributor. **The original purchaser must present proof of purchase establishing proof and date of purchase of the product when requesting warranty service.**

Once the warranty period has expired, the warranty on any replaced and/or repaired part also expires.

EIZO AND EIZO’S AUTHORIZED DISTRIBUTORS MAKE NO FURTHER WARRANTIES, EXPRESSED OR IMPLIED, WITH RESPECT TO THE PRODUCT AND ITS QUALITY, PERFORMANCE, MERCHANTABILITY OR FITNESS FOR ANY PARTICULAR USE. IN NO EVENT SHALL EIZO AND EIZO’S AUTHORIZED DISTRIBUTORS BE LIABLE FOR ANY SPECIAL, CONSEQUENTIAL, INCIDENTAL OR OTHERS DAMAGES (INCLUDING, WITHOUT LIMITATION, LOSS OR PROFIT) WHETHER OR NOT EIZO AND EIZO’S AUTHORIZED DISTRIBUTORS HAVE BEEN ADVISED OF THE POSSIBILITY OF SUCH DAMAGES, ARISING OUT OF ANY BREACH OR REPUDIATION OF CONTRACT, OR WARRANTY, NEGLIGENCE, OR OTHERWISE. THIS EXCLUSION ALSO INCLUDES ANY LIABILITY WHICH MAY ARISE OUT OF THIRD PARTY CLAIMS AGAINST THE ORIGINAL PURCHASER. THE ESSENCE OF THE PROVISION IS TO LIMIT THE POTENTIAL LIABILITY OF EIZO AND EIZO’S AUTHORIZED DISTRIBUTORS ARISING OUT OF THIS AGREEMENT AND/OR SALES.

Free Manuals Download Website

<http://myh66.com>

<http://usermanuals.us>

<http://www.somanuals.com>

<http://www.4manuals.cc>

<http://www.manual-lib.com>

<http://www.404manual.com>

<http://www.luxmanual.com>

<http://aubethermostatmanual.com>

Golf course search by state

<http://golfingnear.com>

Email search by domain

<http://emailbydomain.com>

Auto manuals search

<http://auto.somanuals.com>

TV manuals search

<http://tv.somanuals.com>