



FlexScan® P5071

127 cm (50 inch) Class Color PDP Monitor

The FlexScan P5071 produces brilliant on-screen images and comes with a full array of professional features to ensure high impact visual presentations for both board rooms and public display. This slim, lightweight monitor is designed for use in almost any surrounding with its wall and ceiling mounting options.

Features:

- XGA wide resolution in a 16:9 native aspect ratio.
- 0.858 mm (horizontal) × 0.808 mm (vertical) pixel pitch.
- Dual input connectors (D-sub mini 15 pin and BNC × 5).
- 160° horizontal and vertical wide viewing angles.
- Image scaling and smoothing.
- Remote control mouse with cursor control and click button support.
- 12 different multi-panel display options including an industry high 3 × 3.
- Screen guard allows for continuous display without afterimage retention.
- Asset information such as serial number and total usage hours available in the OSD menu.



FlexScan® P5071

127 cm (50 inch) Class Color PDP Monitor



Presentation and Public Display PDP Monitor

The FlexScan P5071 is designed to serve as the ideal PDP solution for both presentations and public display. This monitor enhances corporate boardrooms, airports, dealing rooms, or any business setting where effective, attention getting visual communication is needed.

VGA to UXGA Resolution Display Capability

The FlexScan P5071 displays PC input signals ranging from VGA (640 × 480) to UXGA (1600 × 1200) including an XGA wide resolution of 1280 × 768 in the 16:9 native aspect ratio.

Multi-Panel Display

To get your message across in the most effective manner, the FlexScan P5071 offers 12 different multi-panel configuration options including four (2 × 2) and an industry high nine (3 × 3) panel display. Additionally, only one remote control is necessary to operate all panels.

Remote Control Mouse

The ergonomically designed wireless remote control functions like a mouse by offering cursor control and click button support. Especially effective for presentations, the user is free to move about while maintaining full control of the on-screen image.

Cable Length Compensation

The FlexScan P5071 compensates for differing cable lengths ranging from 1.8 meters up to an industry high of 120 meters. Retention of image quality is assured even if the monitor is placed at a remote distance from its source PC.

Screen Guard

Screen guard slightly shifts or contracts/stretches the on-screen image once every 20 minutes to prevent after-image retention. Showrooms or other environments that need to continuously display the same images for long periods of time can now do so safely.

Optional Wall and Ceiling Mounting Kits

EIZO offers both wall and ceiling mounting kits (sold separately) to enable the FlexScan P5071 to meet the demands of its placement environment.

FlexScan® P5071 Specifications

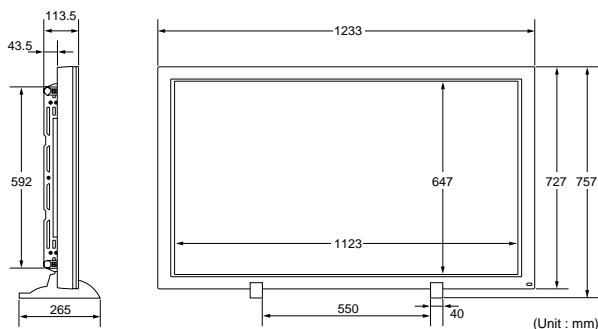
Panel Size	127 cm (50 inch)
Pixel Pitch	0.858 mm (H) × 0.808 mm (V)
Display Colors	16.7 million
Viewing Angle	Horizontal: 160° Vertical: 160°
Brightness	200 cd/m ² (typical)
Contrast Ratio	550:1 (typical)
Aspect Ratio	16:9
Active Display Size	1098 mm (H) × 620 mm (V)
Viewable Image Size	126.1 cm (Diagonal)
Number of Pixels	1280 (H) × 768 (V)
Multi-Panel Configuration Options (H×V)	1 × 2, 1 × 3, 1 × 4, 2 × 1, 2 × 2, 2 × 3, 2 × 4, 3 × 1, 3 × 2, 3 × 3, 4 × 1, 4 × 2
Plug & Play ¹	VESA DDC 2B
Power Management	VESA DPMS, EIZO MPMS ²
Power Consumption	500 watts
Power Save Mode	8 watts
Dimensions	With Stand: 1233 mm (W) × 757 mm (H) × 265 mm (D) Display Only: 1233 mm (W) × 727 mm (H) × 113.5 mm (D)
Weight	With Stand: 48.0 kg Display Only: 47.0 kg

Input/Output Connectors

PC Input 1	BNC × 5
PC Input 2	D-Sub mini 15 pin
Audio Input 1	RCA pin × 2
Audio Input 2	RCA pin × 2
Audio Output	RCA pin × 2
Mouse Output 1 (For PC Input 1)	PS/2, USB (upstream)
Mouse Output 2 (For PC Input 2)	PS/2, USB (upstream)

¹Only Valid when computer system supports all Plug & Play functions (personal computer, Windows® 95/98/2000). For more details, please refer to the Windows 95/98/2000, personal computer, and graphics board manuals or contact the manufacturers.

²EIZO MPMS is a power management system developed by EIZO to replace NUTEK which was discontinued at the end of 1997.



EIZO NANA O CORPORATION
153 Shimokashiwano, Matto, Ishikawa 924-8566
Japan
Phone : +81 76 277-6792 Fax : +81 76 277-6793
<http://www.eizo.com>

Specifications are subject to change without notice.

ENERGY STAR® is a U.S. registered mark. As an ENERGY STAR Partner, Eizo Nanao Corporation has determined that this product meets the ENERGY STAR guidelines for energy efficiency. Copyright © 2001 Eizo Nanao Corporation. All rights reserved. All product names are trademarks or registered trademarks of their respective companies. FlexScan and EIZO are registered trademarks of Eizo Nanao Corporation.

Free Manuals Download Website

<http://myh66.com>

<http://usermanuals.us>

<http://www.somanuals.com>

<http://www.4manuals.cc>

<http://www.manual-lib.com>

<http://www.404manual.com>

<http://www.luxmanual.com>

<http://aubethermostatmanual.com>

Golf course search by state

<http://golfingnear.com>

Email search by domain

<http://emailbydomain.com>

Auto manuals search

<http://auto.somanuals.com>

TV manuals search

<http://tv.somanuals.com>