

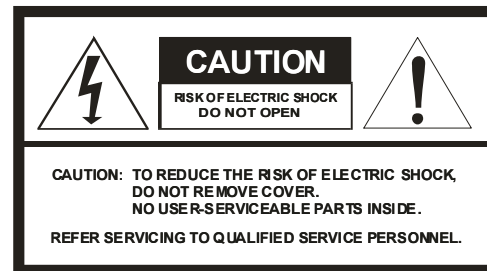
SAFETY PRECAUTIONS



The lightning flash with arrowhead symbol, within an equilateral triangle, is intended to alert the user to the presence of uninsulated "dangerous voltage" within the product's enclosure that may be of sufficient magnitude to constitute a risk of electric shock to persons.



The exclamation point within an equilateral triangle is intended to alert the user to the presence of important operating and maintenance (servicing) instructions in the literature accompanying the appliance.



RACK MOUNTING INSTRUCTIONS

- A) Procure the optional accessory Rack Mount Kit Model 27/3501.
- B) Turn amplifier up side down and remove the four rubber feet by unscrewing the four holding screws.
- C) Remove the bottom front screws on each side of the amplifier holding the amplifier cover.



IMPORTANT SAFETY INSTRUCTIONS

BEFORE OPERATING THE AMPLIFIER, BE SURE YOU FULLY UNDERSTAND ALL INSTRUCTIONS AND FEATURES OF THE UNIT.

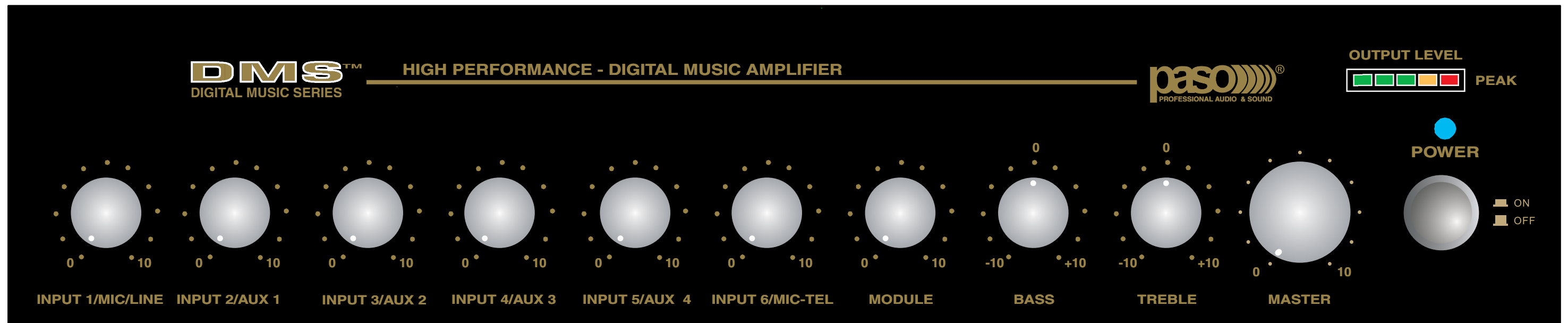
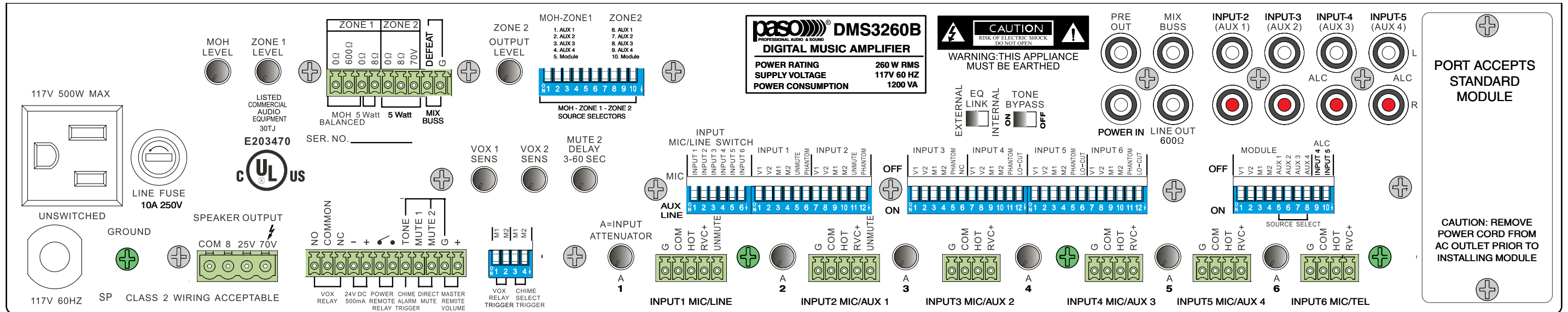
- 1) Read these instructions carefully.
- 2) Keep these instructions.
- 3) Heed all Warnings.
- 4) Follow all instructions.
- 5) DO NOT use this apparatus near water.
- 6) Clean ONLY with a damp cloth.
- 7) DO NOT block any of the ventilation openings. Install in accordance with the instructions provided.
- 8) DO NOT install near any heat sources such as radiators, stoves, or other apparatus (including amplifiers) that produce heat.
- 9) DO NOT mount amplifier into a container or a closed unventilated closet while operating.
- 10) DO NOT place any object or accessory equipment such as Tuners, Mixers, Cassette Decks, etc. on top of the amplifier. Obstructing or closing the cabinet ventilation openings may cause overheating.
- 11) DO NOT defeat the safety purpose of the polarized or grounding type plug. A polarized plug has two blades with one wider than the other. A grounding type plug has two blades and a third grounding prong. The wide blade and or the third prong is provided for your safety. When the provided plug does not fit into your outlet, consult an electrician for replacement of the obsolete outlet.

- 12) Use only the attachments and accessories specified in this manual.
- 13) If a cart is used, use caution when moving the cart/apparatus combination to avoid injury from tip-over.

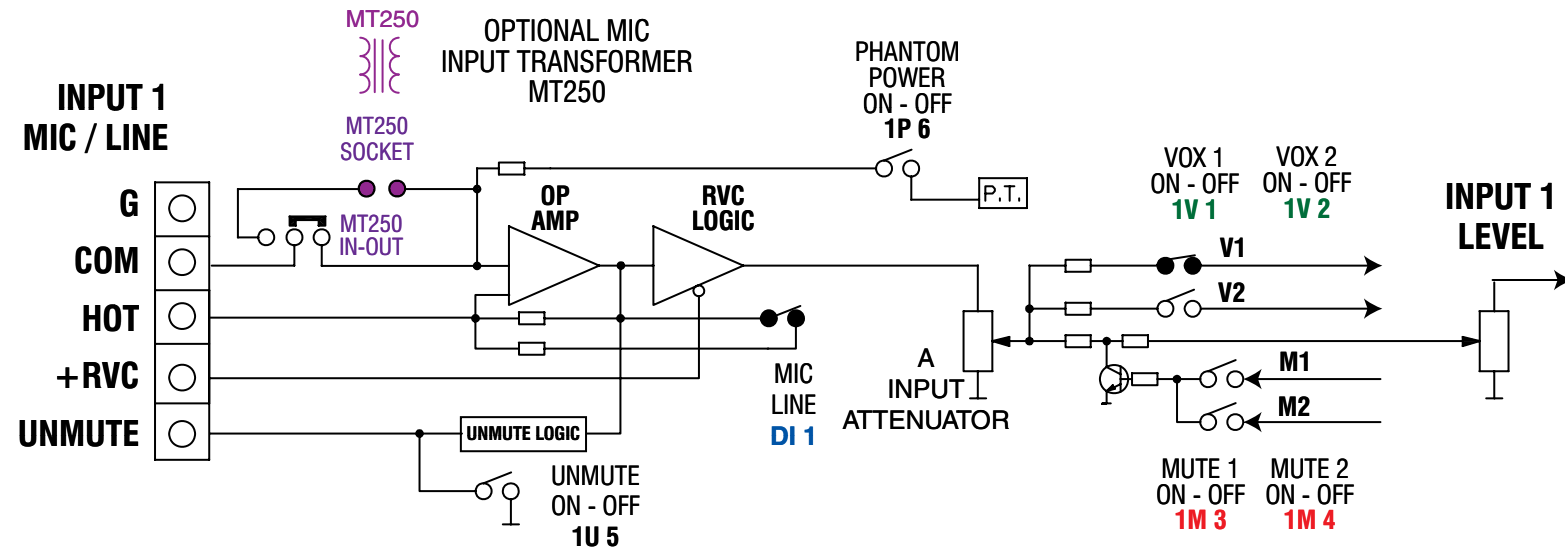


- 14) Unplug this apparatus during lightning storms or when unused for long periods of time.
- 15) Refer all servicing to qualified service personnel. Servicing is required when the apparatus has been damaged in any way, such as power supply cord or plug is damaged, liquid has been spilled or objects have fallen into the apparatus, the apparatus has been exposed to rain or moisture, does not operate normally, or has been dropped.
- 16) DO NOT replace fuses unless power cord is removed from the AC wall outlet.
- 17) DO NOT install accessories unless the power cord is removed from the AC wall outlet.

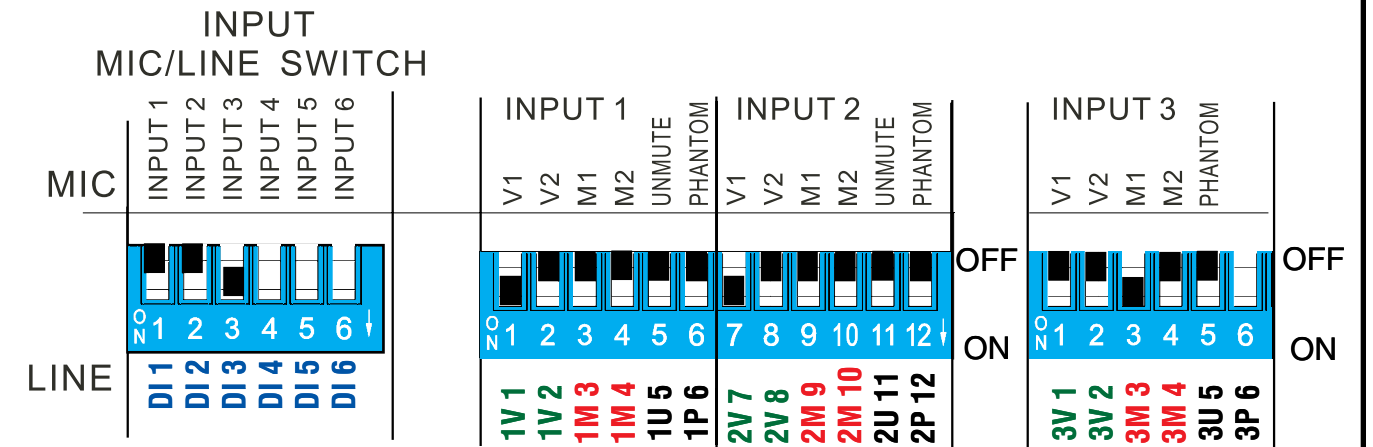
WARNING: TO REDUCE THE RISK OF FIRE OR ELECTRIC SHOCK, DO NOT EXPOSE THIS APPLIANCE TO RAIN OR MOISTURE. DANGEROUS HIGH VOLTAGES ARE PRESENT INSIDE THE ENCLOSURE. DO NOT OPEN THE CABINET. REFER SERVICING TO QUALIFIED PERSONNEL ONLY.



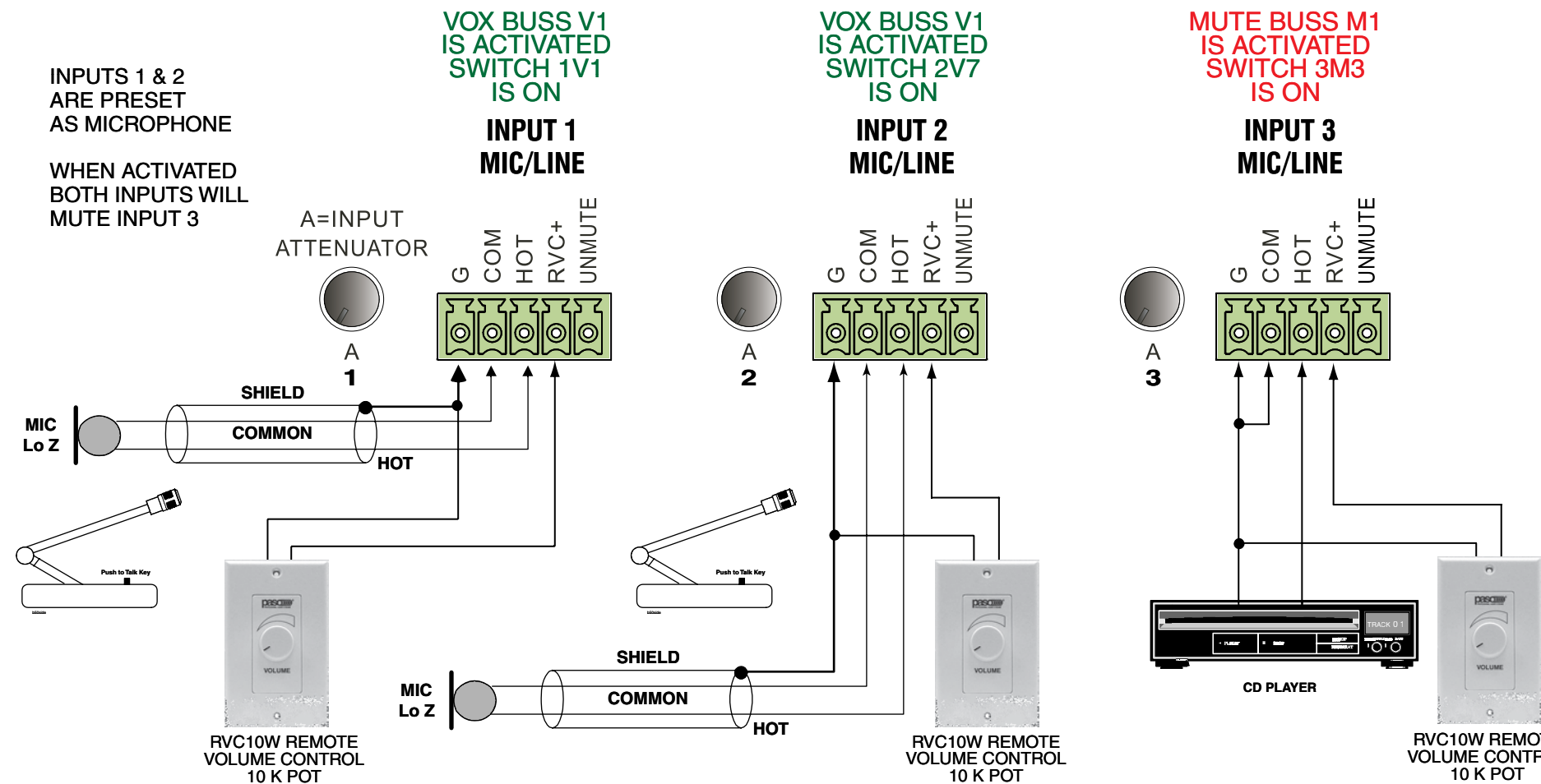
INPUTS 1 - 2 - 3 BLOCK DIAGRAM



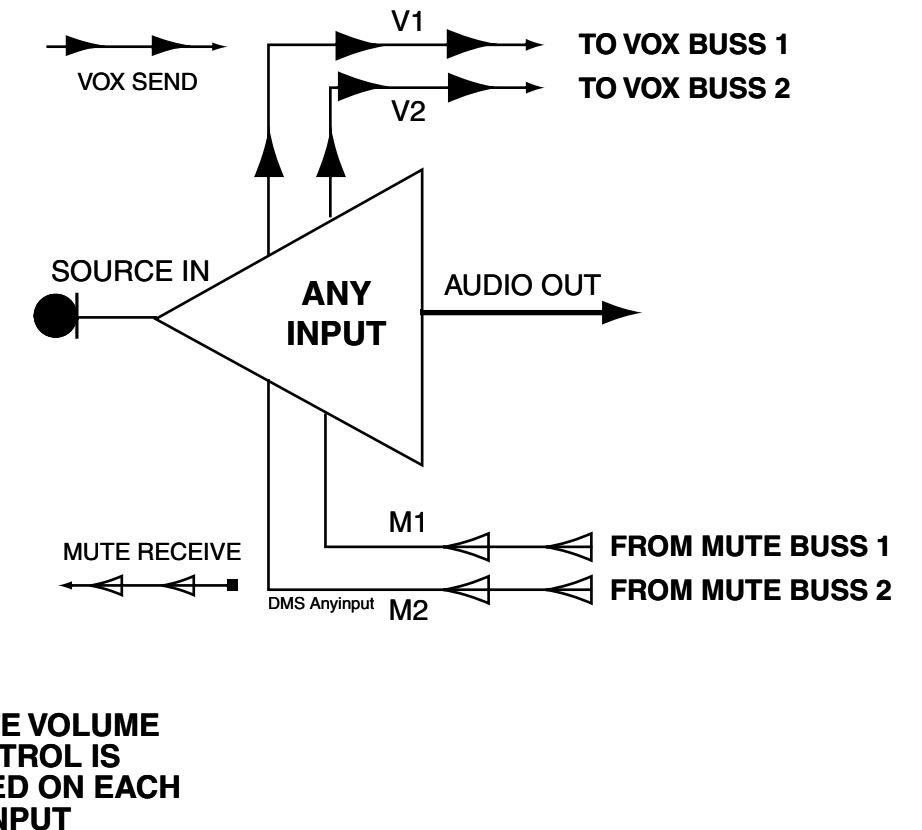
INPUTS 1 - 2 - 3 DIP SWITCH PROGRAMMING



INPUTS 1 - 2 - 3 WIRING DIAGRAM EXAMPLE

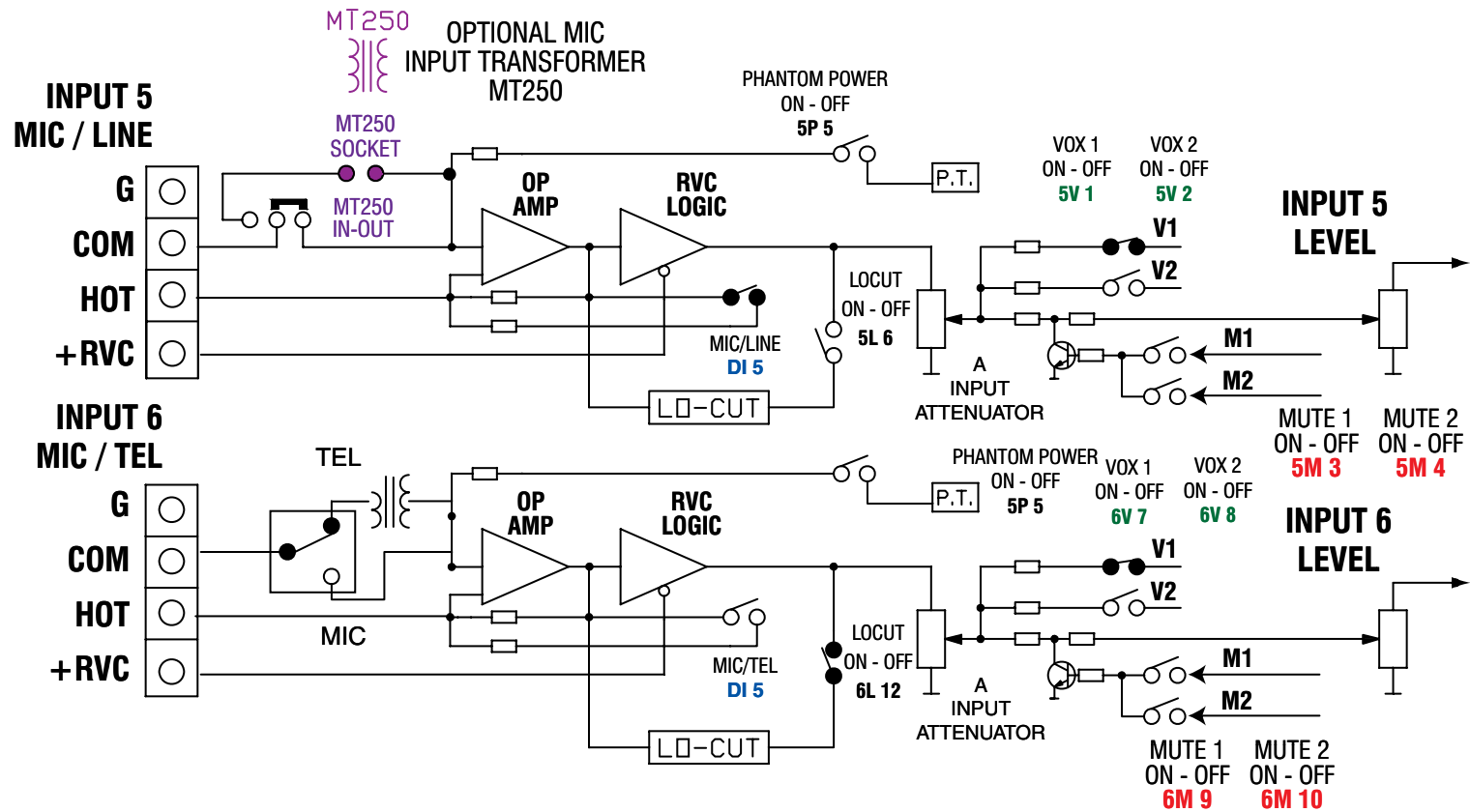


ANY INPUT VOX AND MUTING FUNCTION

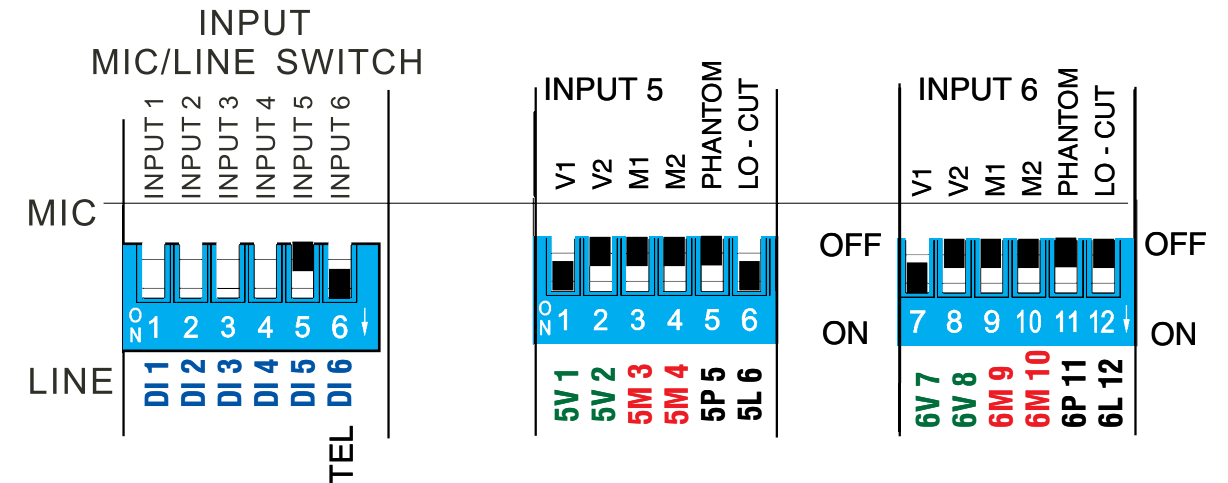


REMOTE VOLUME CONTROL IS PROVIDED ON EACH INPUT

INPUTS 5 & 6 BLOCK DIAGRAM

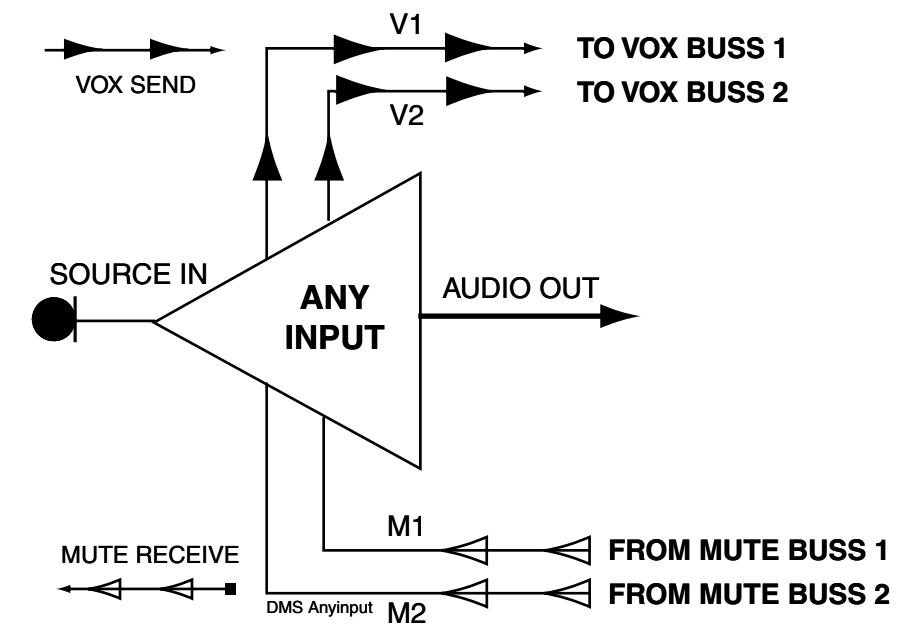
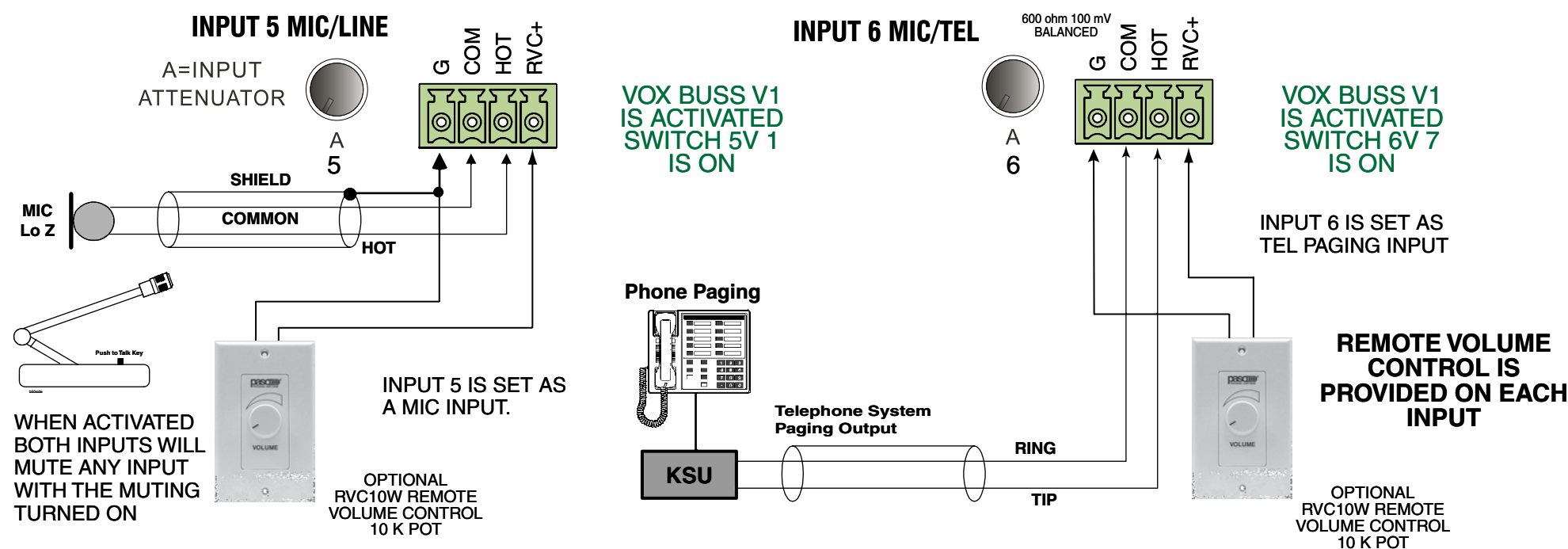


INPUTS 5 & 6 DIP SWITCH PROGRAMMING



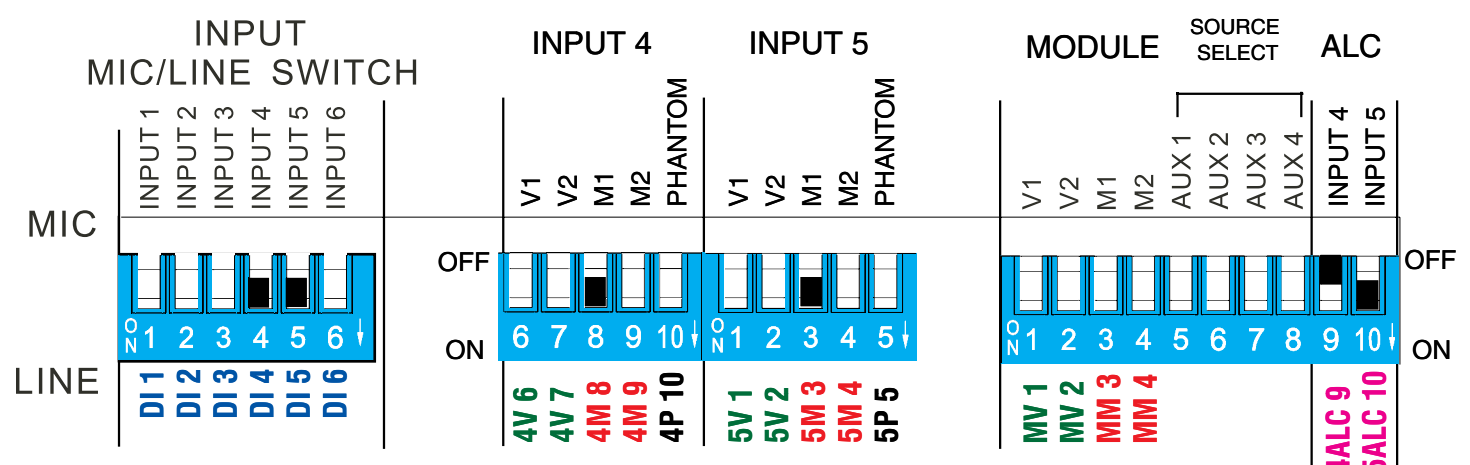
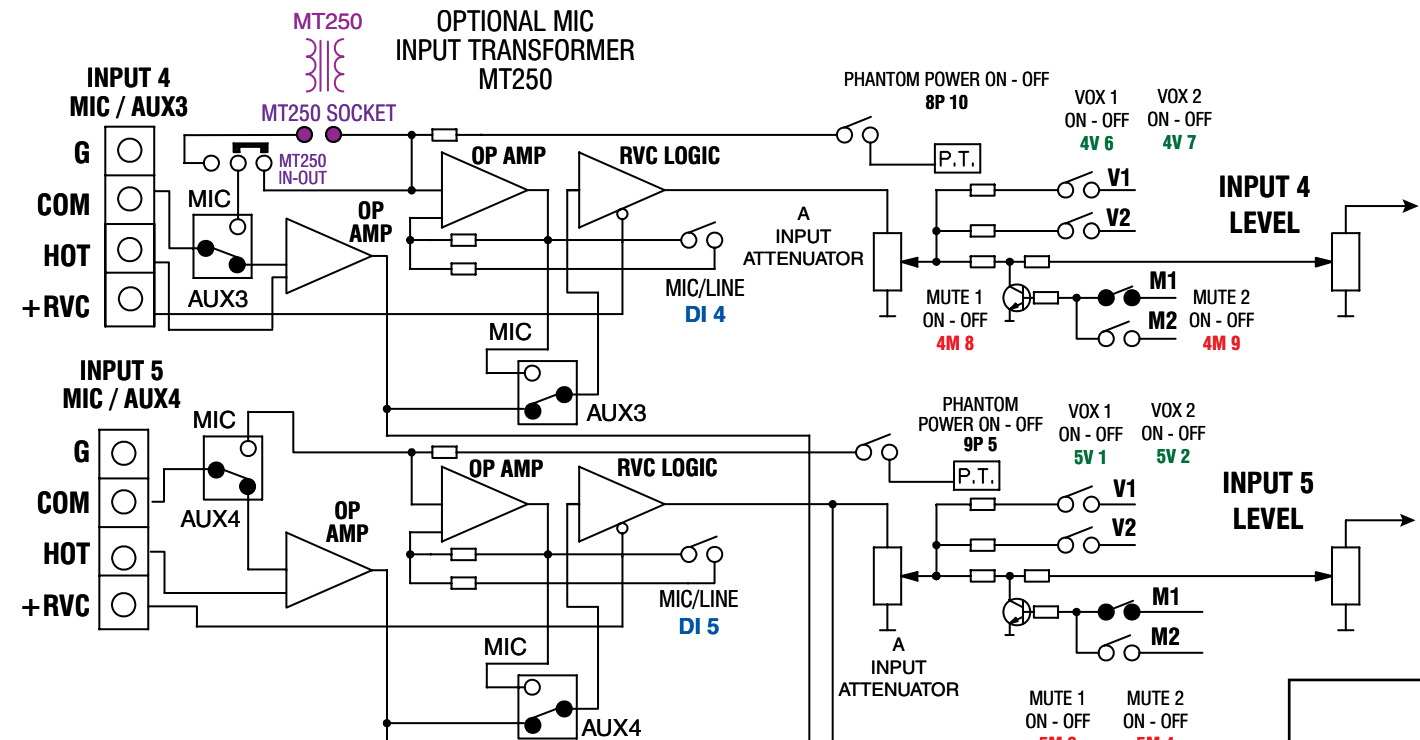
ANY INPUT VOX AND MUTING FUNCTION

INPUTS 5 & 6 WIRING DIAGRAM EXAMPLE

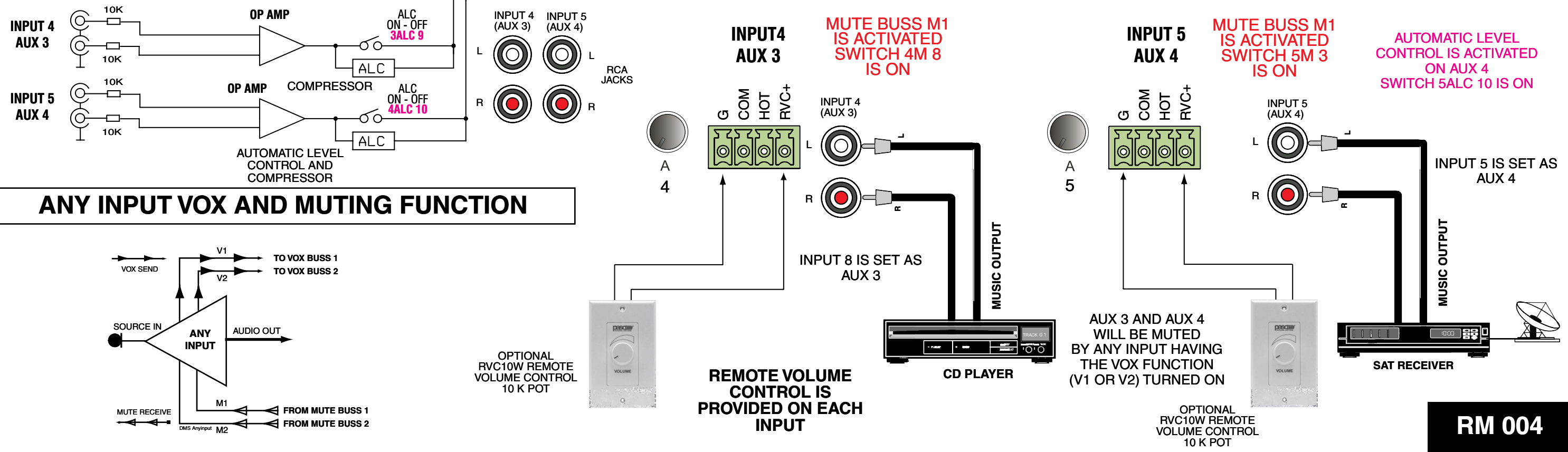


INPUTS 4 - 5 BLOCK DIAGRAM

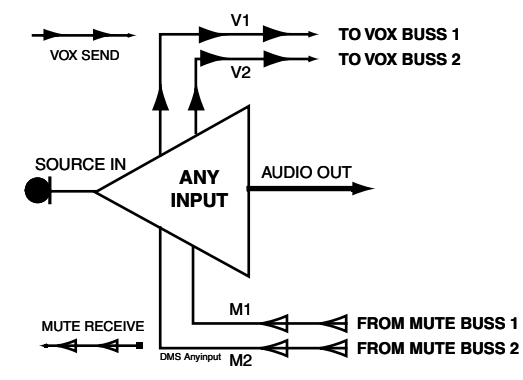
INPUTS 4 - 5 DIP SWITCH PROGRAMMING



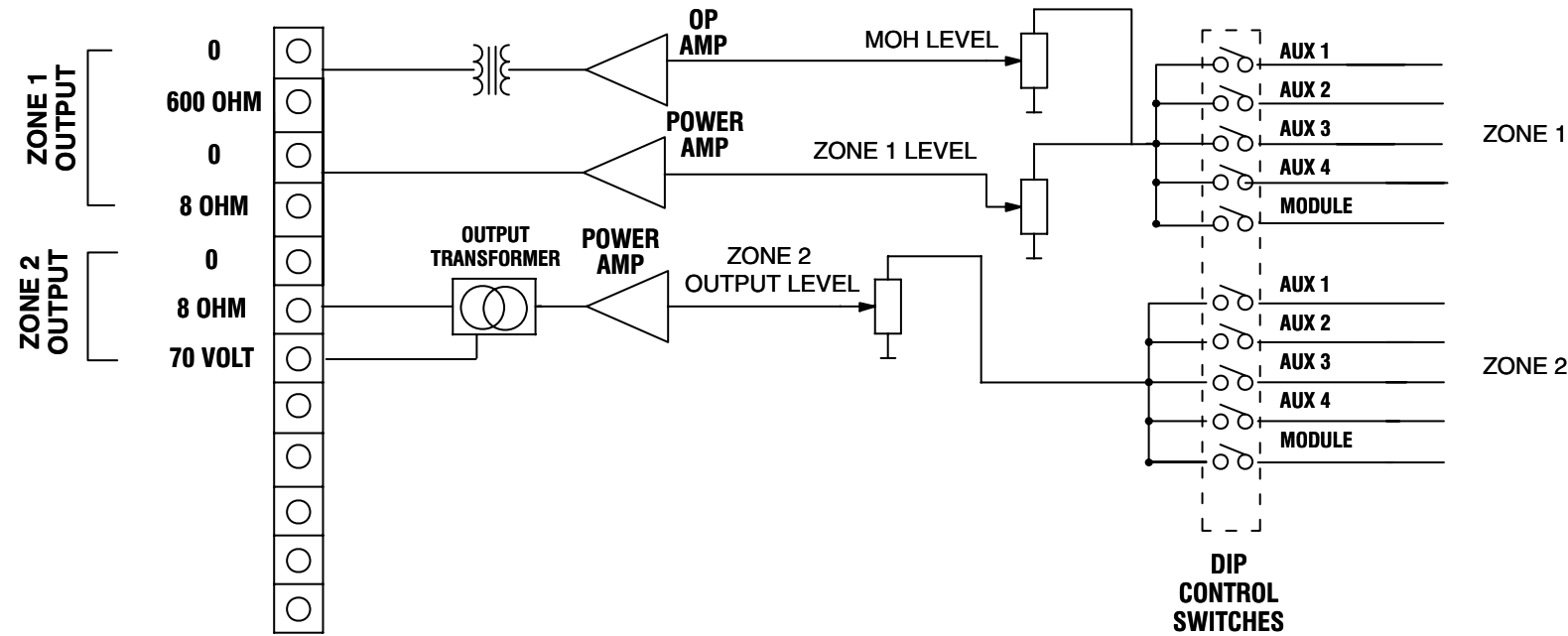
INPUTS 4 - 5 WIRING DIAGRAM EXAMPLE



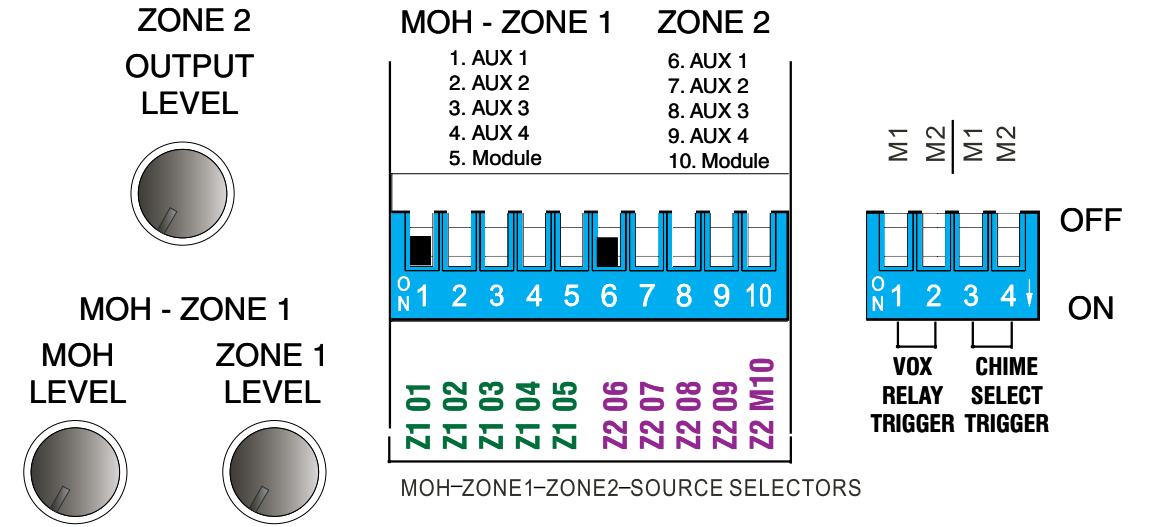
ANY INPUT VOX AND MUTING FUNCTION



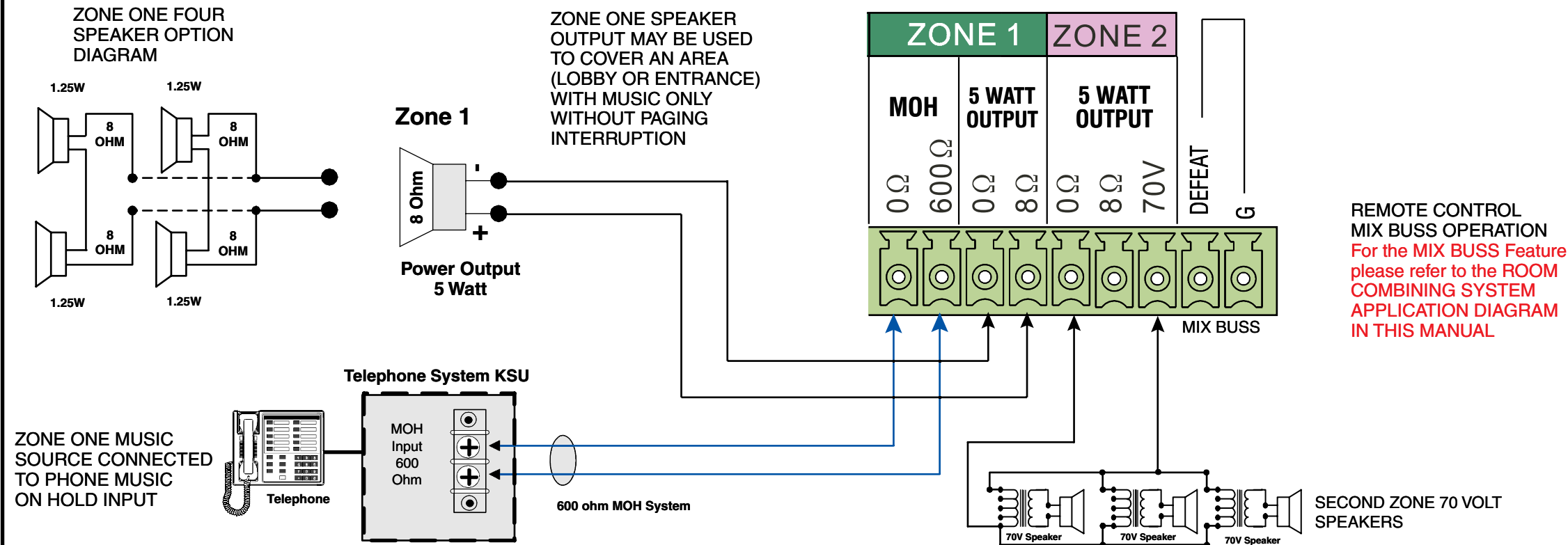
ZONE 1 AND ZONE 2 BLOCK DIAGRAM



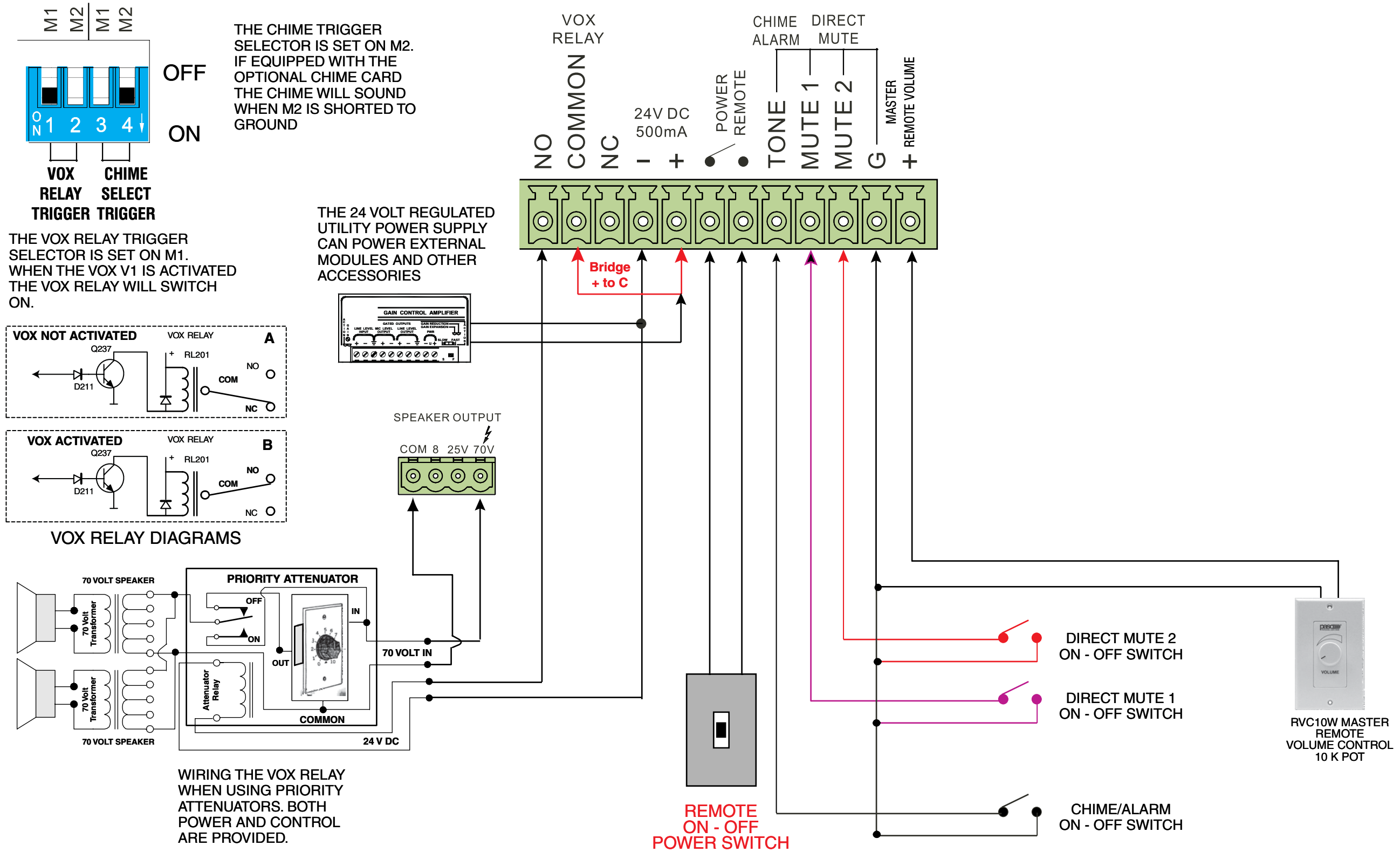
ZONE 1 AND 2 DIP SWITCH PROGRAMMING

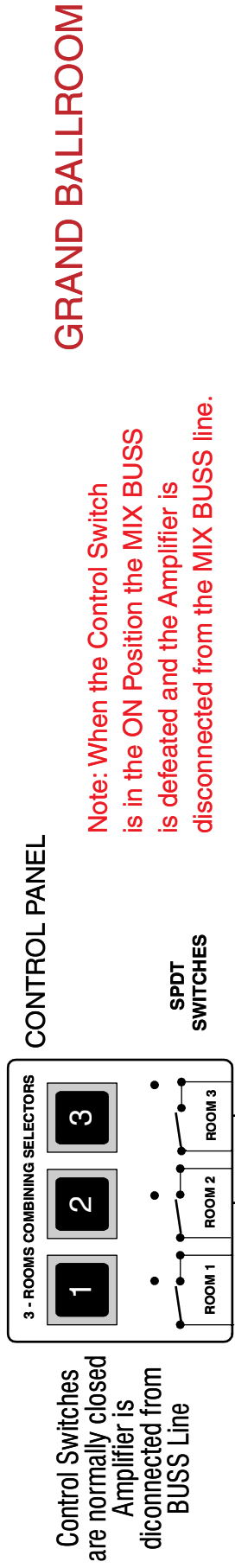


ZONE 1 AND ZONE 2 WIRING DIAGRAM EXAMPLE



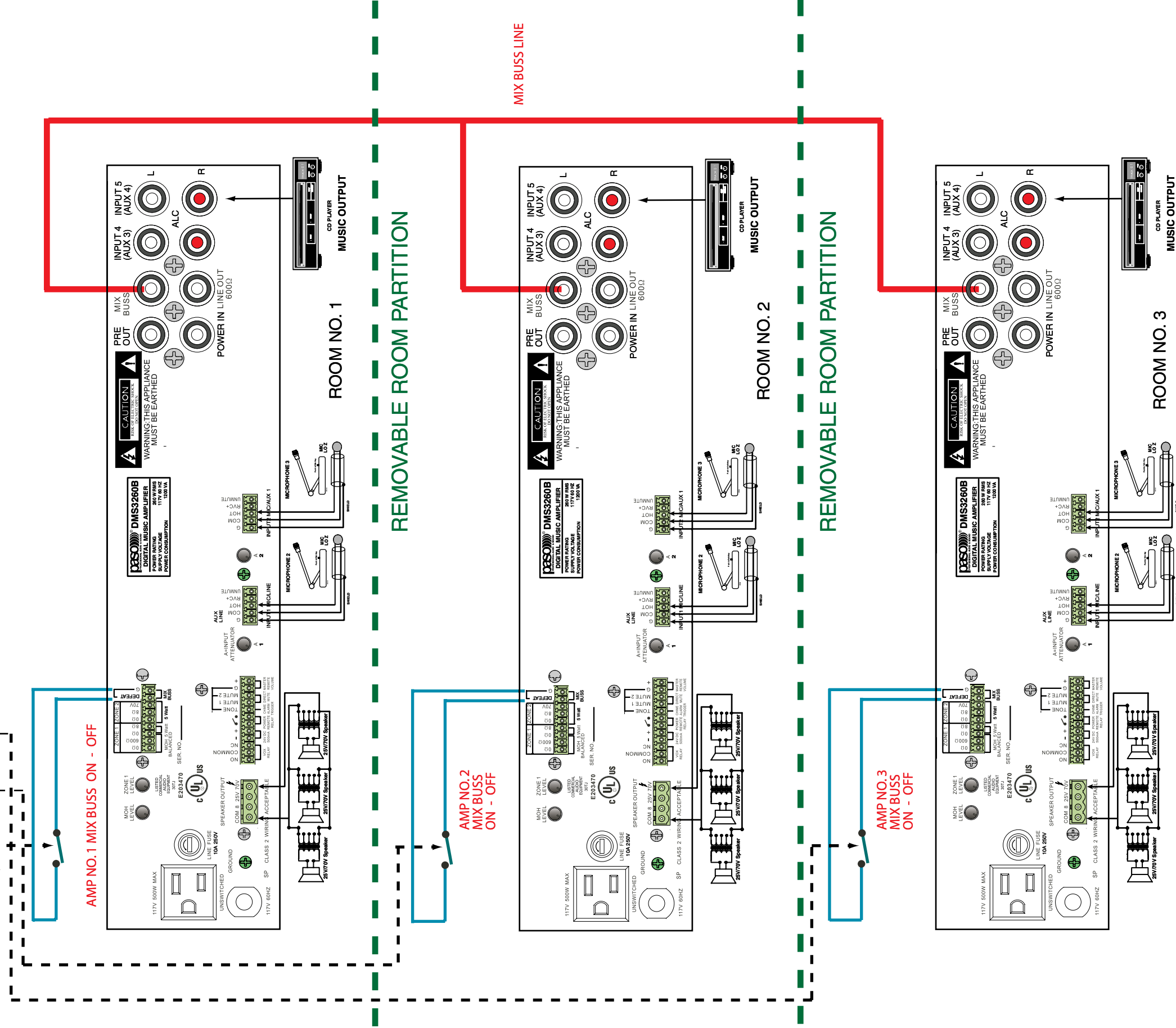
UTILITIES WIRING DIAGRAM EXAMPLE





GRAND BALLROOM

Note: When the Control Switch is in the ON Position the MIX BUSS is defeated and the Amplifier is disconnected from the MIX BUSS line.



MIX BUSS FUNCTION

The MIX BUSS is utilized to combine the Inputs of one Amplifier with the Inputs of one or more Amplifiers. The Diagram shows how the Amplifiers are connected using the MIX BUSS Line.

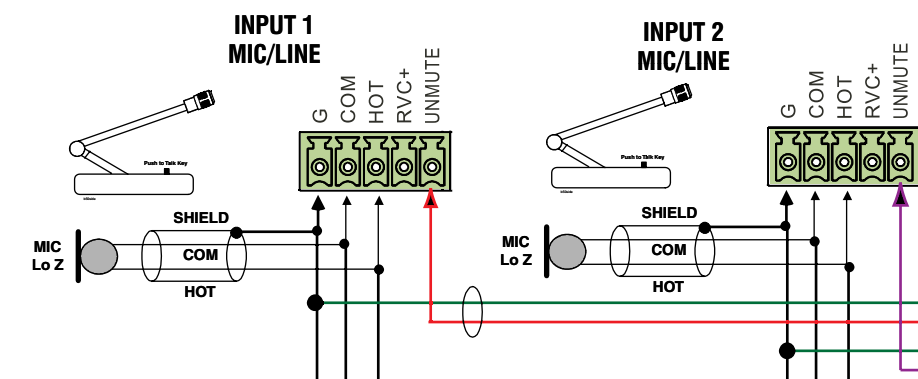
The MIX BUSS Defeat Feature is used to connect or disconnect one or more Amplifiers to the MIX BUSS Line through ON- OFF Switches as shown in the Diagram.

When the Switch is ON the MIX BUSS Output is defeated on the individual Amplifier.

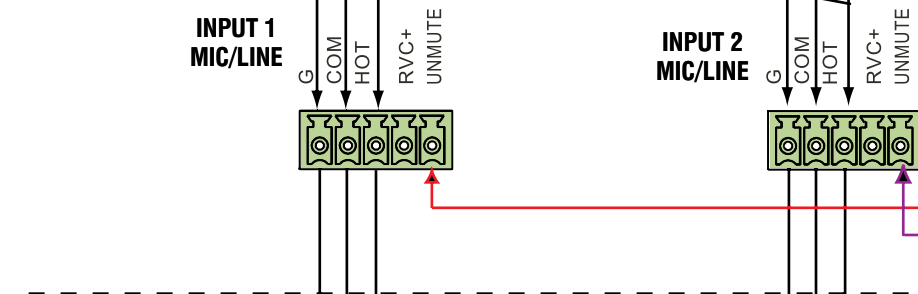
GRAND BALLROOM
3-ROOM COMBINING SYSTEM

INPUTS 1 - 2 WIRING DIAGRAM EXAMPLE

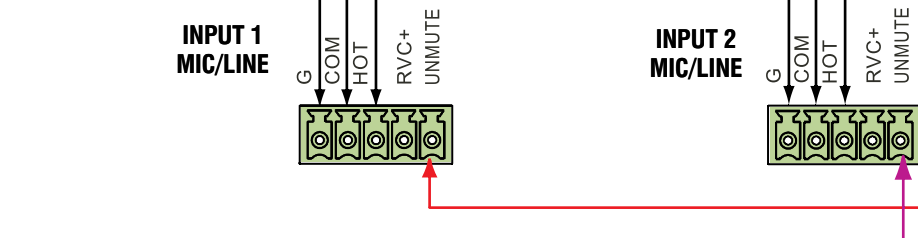
AMPLIFIER ZONE 1



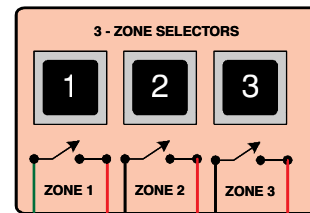
AMPLIFIER ZONE 2



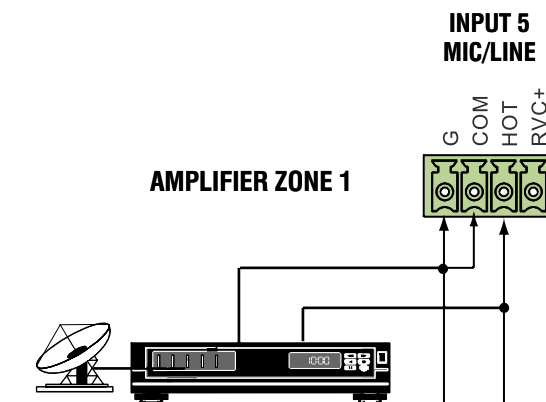
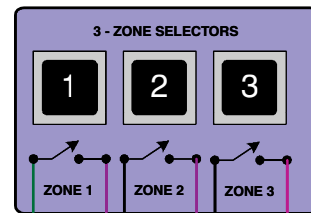
AMPLIFIER ZONE 3



MICROPHONE 1 ZONE CONTROL



MICROPHONE 2 ZONE CONTROL

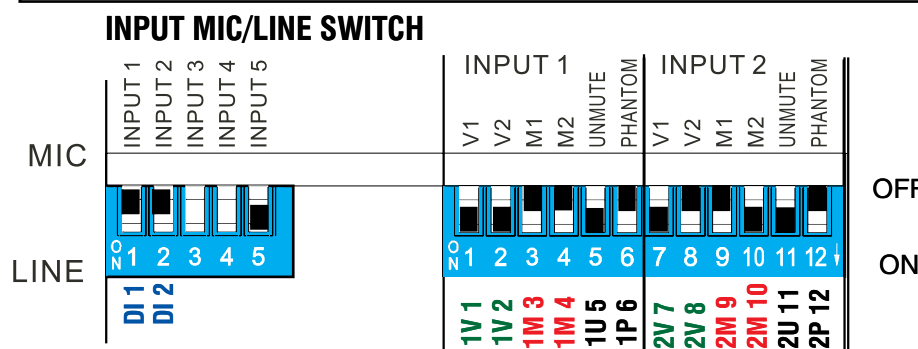


SAT RECEIVER
MUSIC OUTPUT

AMPLIFIER ZONE 2

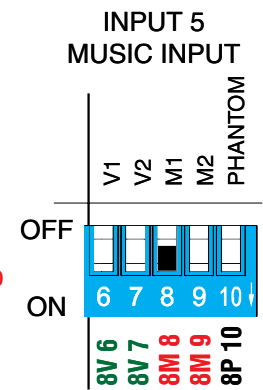
AMPLIFIER ZONE 3

INPUTS 1 - 2 DIP SWITCH PROGRAMMING



INPUTS 1 & 2 ARE PRESET AS MICROPHONE
WHEN ACTIVATED THE 2 MICROPHONES WILL MUTE INPUT 5
VOX BUSS V1 IS ACTIVATED SWITCH 1V 1 - 1V 2 AND 2V 7 ARE ON

MICROPHONE NO. 1 PRIORITY
MICROPHONE NO. 1 WILL ALSO HAVE PRIORITY OVER MIC 2
VOX BUSS V2 IS ON WITH SWITCH 1V 2
MUTE BUSS M2 IS ACTIVATED ON INPUT 2 WITH SWITCHES 2M 10 TURNED ON



MUTE BUSS M1 IS ACTIVATED SWITCH 8M 8 IS ON

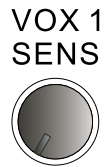
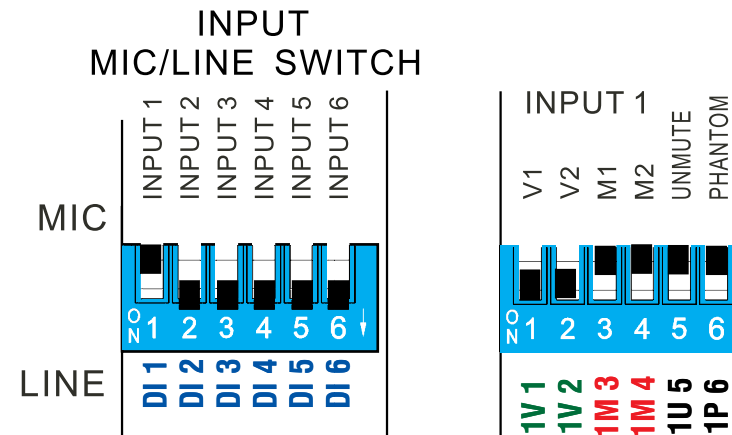
UNMUTE FUNCTION
When the UNMUTE Switch is activated the Microphone Input is defeated. The MIC Input is turned ON when the UNMUTE Terminal is shorted to Ground (G)

ZONE 3 AMPLIFIER IS EQUIPPED WITH MUSIC REMOTE VOLUME CONTROL



RVC10W REMOTE VOLUME CONTROL 10 K POT

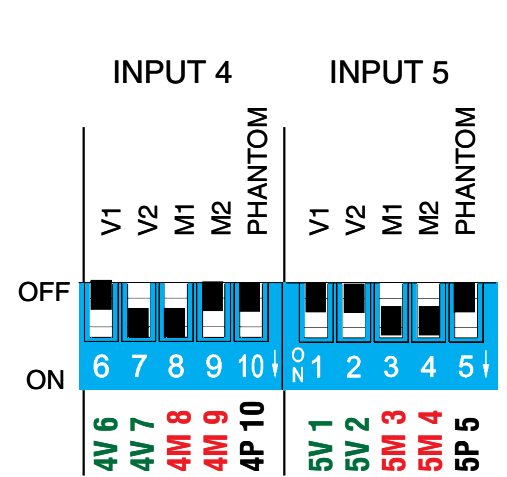
INPUT1 DIP SWITCH PROGRAMMING



VOX 1 SENSITIVITY CONTROL

TURN SATELLITE MUSIC ON AND WHILE MUSIC IS PLAYING GENERATE A PAGE FROM THE MICROPHONE. WHILE TALKING TURN **VOX 1 SENS** CONTROL SLOWLY CLOCKWISE UNTIL THE SATELLITE MUSIC IS MUTED. IF NECESSARY REPEAT ABOVE WHILE THE JUKEBOX IS PLAYING

INPUTS 4 - 5 DIP SWITCH PROGRAMMING



VOX 2 SENSITIVITY CONTROL

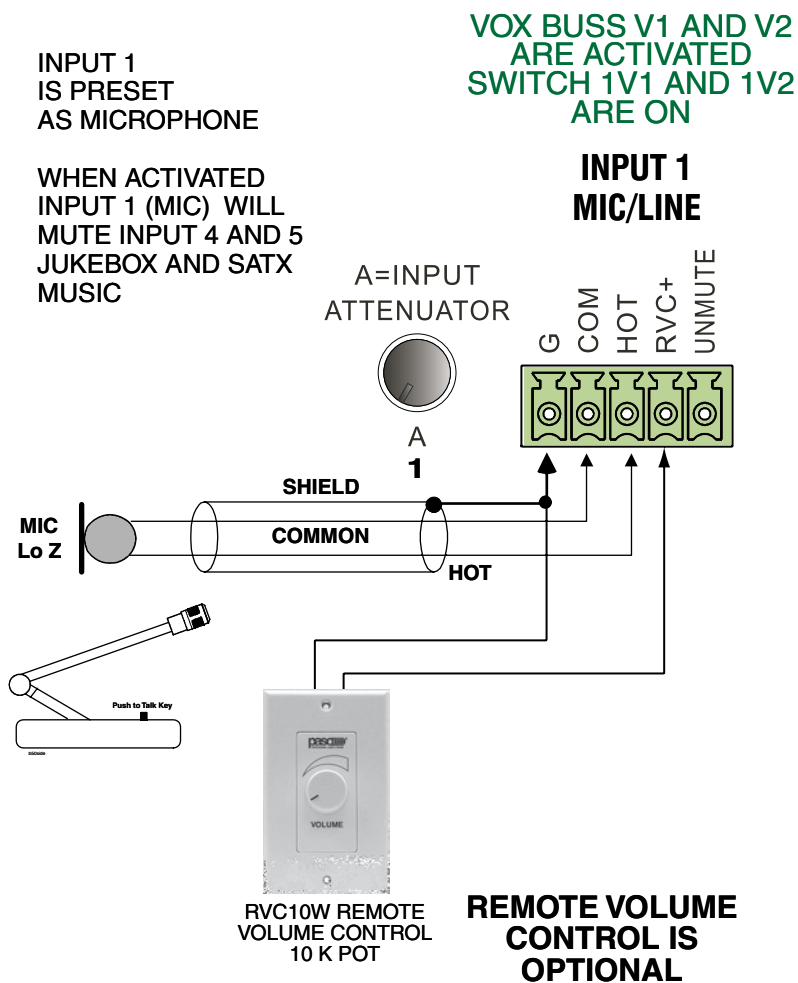
TURN SATELLITE MUSIC ON. TURN JUKEBOX ON AND WHILE PLAYING A TRACK TURN **VOX 2 SENS** CONTROL SLOWLY CLOCKWISE UNTIL THE SATELLITE MUSIC IS MUTED

MUTE 2 DELAY

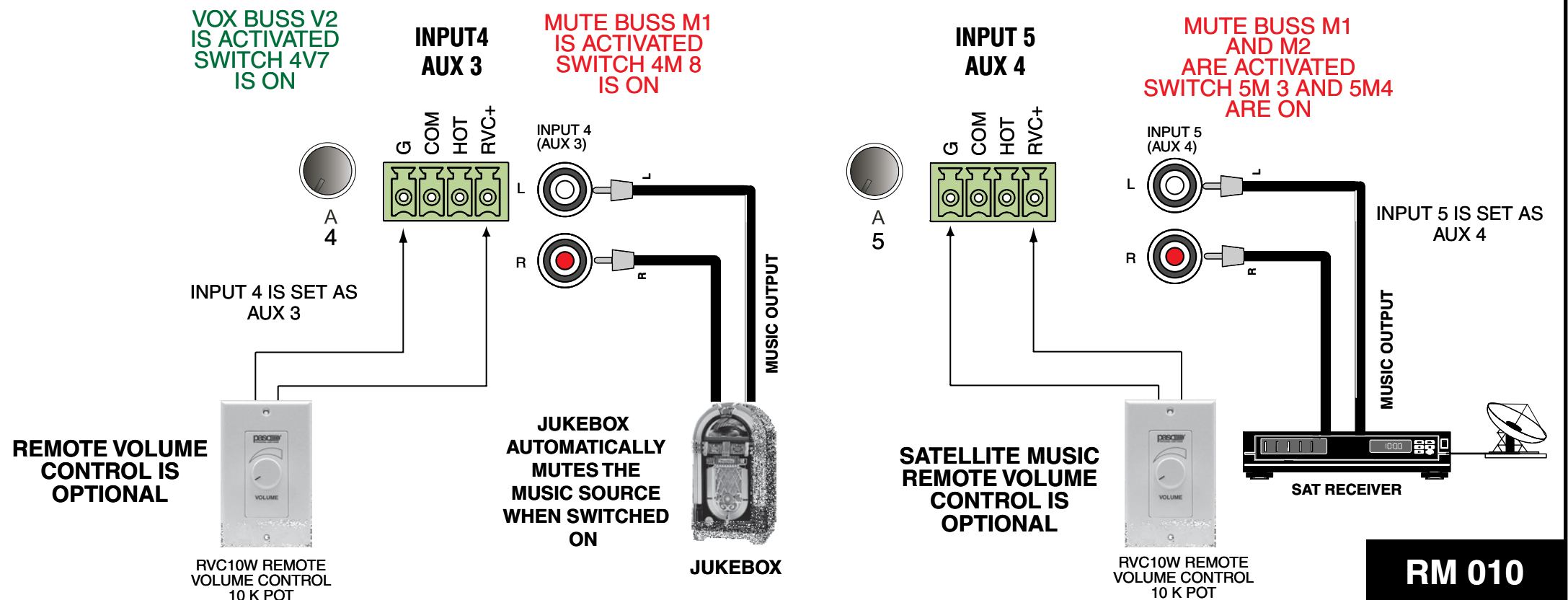
The Jukebox Configuration utilizes the VOX/MUTE 2 Buss. In order to prevent the premature JUKEBOX/MUSIC SOURCE switching (the Music Source cuts-in while the Jukebox is active) a MUTE TIME DELAY TRIMMER is available on the Rear panel to increase the MUTE DELAY as necessary. The MUTE DELAY can be adjusted from 3 to 60 Seconds. EXAMPLE: If the Jukebox is playing and the Tune has a long pause or the long pause while the Jukebox is cycling between CD's it is possible that the Music Source (Background Music) may cut-in causing annoying and unwanted chatter while the Jukebox is still active. To prevent this problem the MUTE TIME DELAY TRIMMER should be adjusted accordingly.

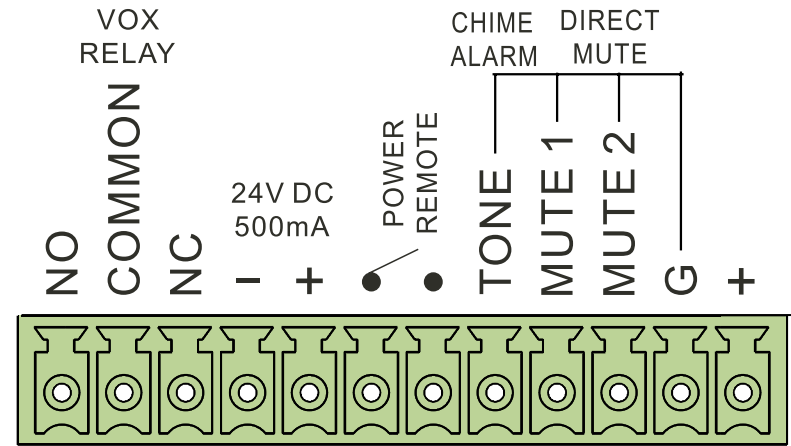


INPUT 1 WIRING DIAGRAM EXAMPLE



INPUTS 4 - 5 WIRING DIAGRAM EXAMPLE





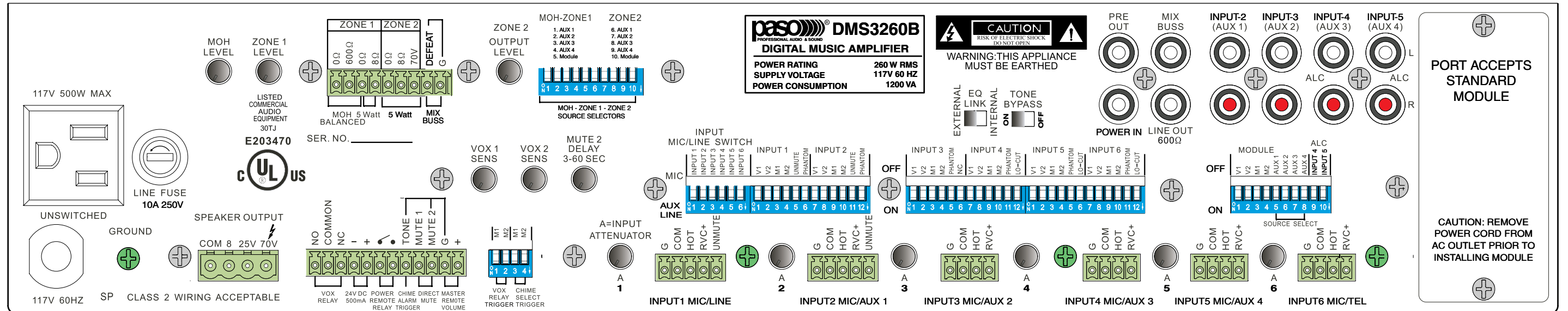
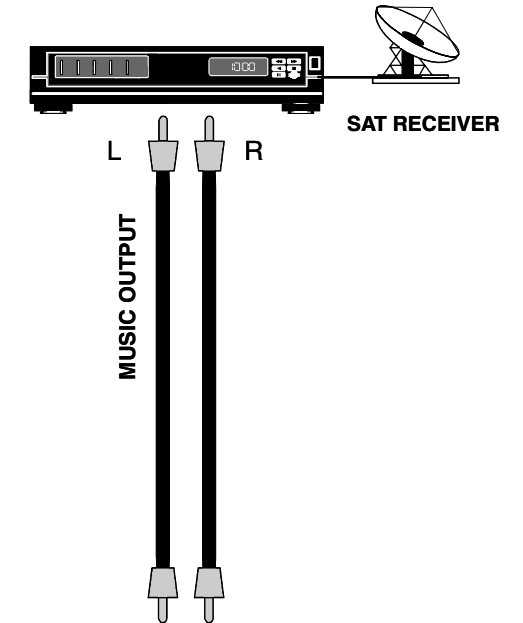
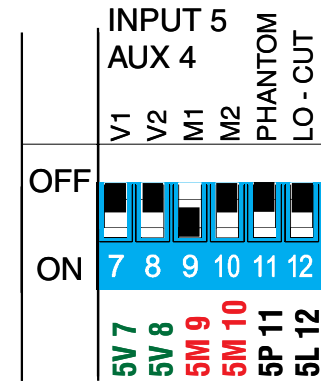
WHEN THE FIRE ALARM IS ACTIVATED THE CONTACT CLOSURE SHORTS MUTE 1 TO GROUND. THE MUSIC CHANNEL ON INPUT 5 WILL BE MUTED FOR AS LONG AS THE ALARM IS ACTIVE.

MUTE 1 FIRE ALARM BOX DRY CONTACT CLOSURE



INPUT 5/AUX 4 DIP SWITCH PROGRAMMING

MUTE BUSS M1 IS ACTIVATED SWITCH 5M9 IS ON



Free Manuals Download Website

<http://myh66.com>

<http://usermanuals.us>

<http://www.somanuals.com>

<http://www.4manuals.cc>

<http://www.manual-lib.com>

<http://www.404manual.com>

<http://www.luxmanual.com>

<http://aubethermostatmanual.com>

Golf course search by state

<http://golfingnear.com>

Email search by domain

<http://emailbydomain.com>

Auto manuals search

<http://auto.somanuals.com>

TV manuals search

<http://tv.somanuals.com>