



Digital Photo Frame *PF707* INSTRUCTION MANUAL



Warnings and Precautions

TO PREVENT FIRE OR SHOCK HAZARDS, DO NOT EXPOSE THIS UNIT TO RAIN OR MOISTURE.



This symbol, located on back or bottom of the unit, is intended to alert the user to the presence of uninsulated “dangerous voltage” within the product’s enclosure that may be of sufficient magnitude to constitute a risk of electric shock to persons.



This symbol, located on back or bottom of the unit, is intended to alert the user to the presence of important operating and maintenance (servicing) instructions in the literature accompanying the appliance.

CAUTION: TO PREVENT ELECTRIC SHOCK, MATCH WIDE BLADE OF PLUG TO WIDE SLOT, FULLY INSERT.

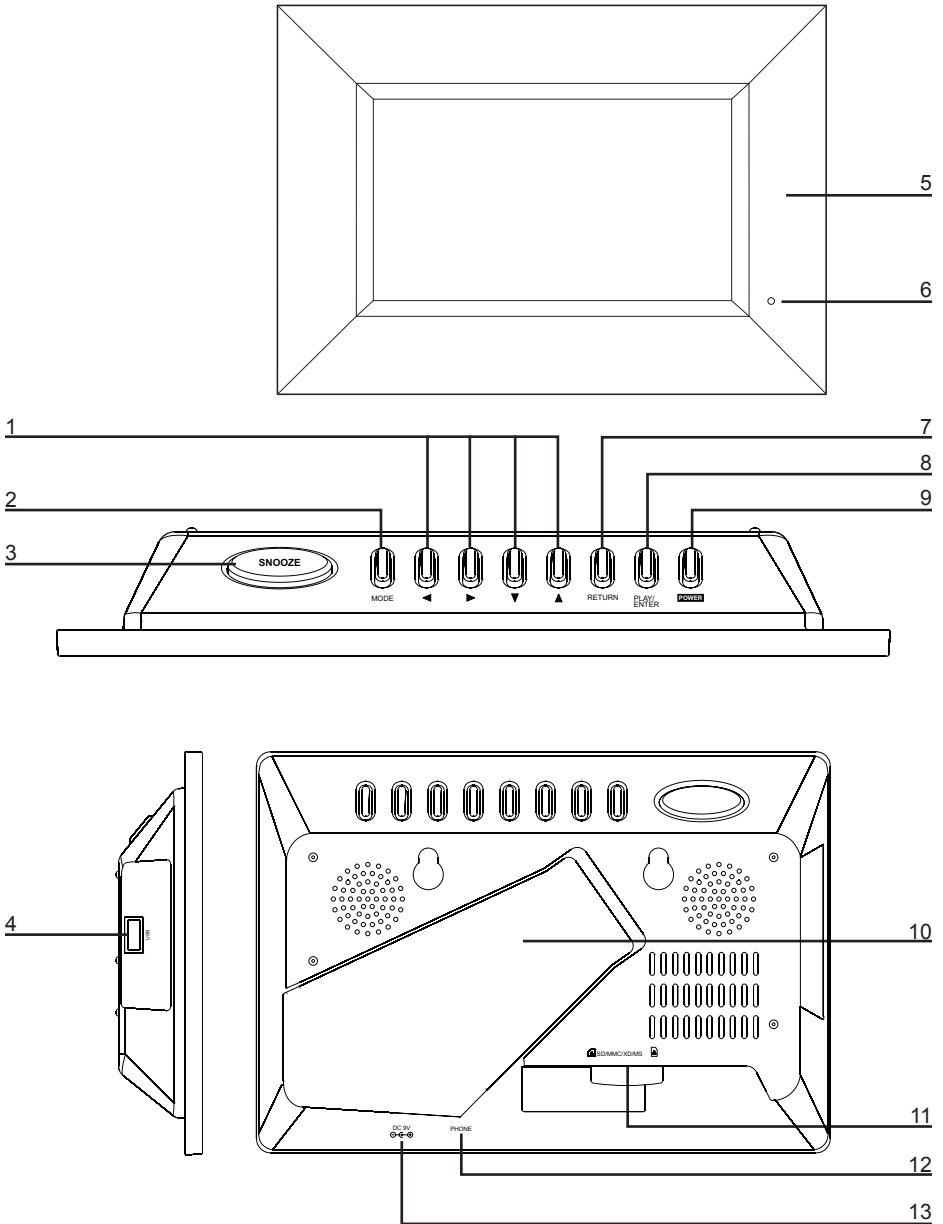
To reduce the risk of electric shock, do not remove cover (or back). There are no user-serviceable parts inside. Please refer any servicing to qualified service personnel.

WARNING: Changes or modifications to this unit not expressly approved by the party responsible for compliance could void the user’s authority to operate the equipment.

NOTE: This equipment has been tested and found to comply with the limits for a Class B digital device, pursuant to Part 15 of the FCC Rules. These limits are designed to provide reasonable protection against harmful interference in a residential installation. This equipment generates, uses, and can radiate radio frequency energy and, if not installed and used in accordance with the instructions, may cause harmful interference to radio communications. However, there is no guarantee that interference will not occur in a particular installation. If this equipment does cause harmful interference to radio or television reception, which can be determined by turning the equipment off and on, the user is encouraged to try to correct the interference by one or more of the following measures:

- Reorient or relocate the receiving antenna.
- Increase the separation between the equipment and receiver.
- Connect the equipment into an outlet on a circuit different from that to which the receiver is connected.
- Consult the dealer or an experienced radio/TV technician for help.

Features



Features Defined

- 1 Navigation Controls** Use the navigation controls to move up, down, left, or right through the menu systems. In slideshow mode, use the navigation controls to rotate the images or flip them vertically.

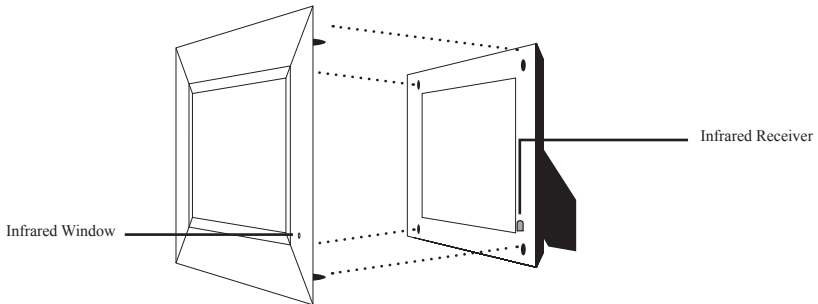
- 2 Mode** Press the Mode button to switch between the clock and the main menu.

- 3 SNOOZE** Press the SNOOZE button to delay the alarm for 5 minutes.

- 4 USB Port** Connect a USB Mass Storage Device to play photos, videos and audio files from the digital storage device. You can also transfer photos from a USB Mass Storage Device (Thumb Drive) to the photo frame's internal memory using the copy option in the main menu.

- 5 Frame** Three interchangeable frames are included (Cherry Wood, Pewter, and Black).

NOTE: To change frames carefully pull the attached frame away from the unit, then match the desired frame's pins with the rubber inset holes on the player and align the infrared receiver with the receiver window on the frame. Finally, squeeze together firmly to ensure a good connection.



- 6 IR Receiver** The Infrared Receiver is an input for the signals the remote control transmits.

 - 7 RETURN** Press the Return button to return to previous menus.

 - 8 PLAY/ENTER** Press the Play button to play or pause a slideshow, music, or movie. Press the Enter button to select different menu options.

 - 9 POWER** Press the Power button to turn the digital photo frame on and off.

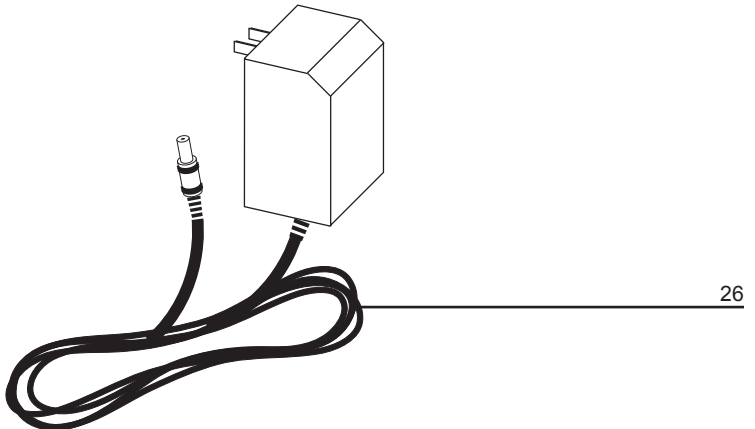
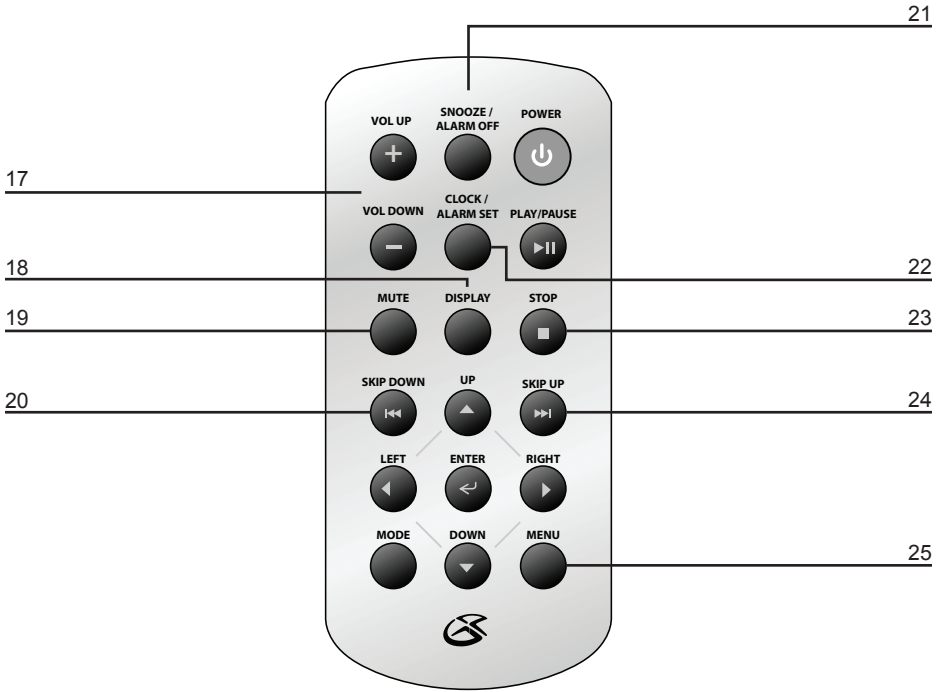
 - 10 Easel** Use the Easel to stand the digital photo frame up in landscape or portrait orientation.

 - 11 SD/MMC/XD/MS Expansion Slot** Insert an optional memory card to play photos, videos and audio files from the memory card. You can also transfer photos from a memory expansion card to the photo frame's internal memory using the copy option in the main menu.

 - 12 PHONES** Plug headphones into the PHONES port to listen to music in private.

 - 13 DC In (9V)** Connect the DC adapter to provide power to the digital photo frame.
-

Peripherals



Peripherals Defined

- 17 VOLUME** Press + and - to adjust the volume on the digital photo frame.
-
- 18 DISPLAY** Press DISPLAY to cycle through file information and settings while viewing photos or movies, or listening to music.
-
- 19 MUTE** Press the MUTE button to mute the digital photo frame.
-
- 20 SKIP DOWN** Press SKIP DOWN to navigate down through menus and photos.
-
- 21 SNOOZE/ALARM OFF** Press the SNOOZE button to delay the alarm for 10 minutes after the alarm has sounded. Press and hold the ALARM OFF button to turn the alarm off.
-
- 22 CLOCK/ALARM SET** Press the CLOCK button to set the clock. Press and hold the ALARM SET button to set the alarm. SKIP UP and SKIP DOWN control the hour and minute when setting the alarm and clock.
-
- 23 STOP** Press the STOP button to stop a slideshow, music, or a movie.
-
- 24 SKIP UP** Press SKIP UP to navigate up through the menus and photos.
-
- 25 MENU** Press the MENU button to return to the Main Menu.
-
- 26 AC Adapter** Connect this AC Adapter to a standard outlet and the digital photo frame to power the digital photo frame.

Operational Notes

- In order to play your photos, videos and music, you will need one of the following: A USB mass storage device (thumb drive) or an SD/MMC/XD/MS memory card .
- You cannot access an external memory card when a USB mass storage device is connected.
- You cannot play photo slideshows from the internal memory and an external memory card or USB mass storage device simultaneously.
- This photo frame cannot connect directly with a computer.

The Main Menu

The main menu is the default starting point after turning the unit on.

Photo Select the Photo icon to access the photographs stored on your SD, MMC, XD, or MS memory card.
(compatible with JPEG image files only.)

Music Press the Music icon to access the MP3s stored on your SD, MMC, XD, or MS memory card.
(compatible with MP3 image files only.)

Photo + Music Select the Photo + Music icon to play music while viewing photos from your SD, MMC, XD, or MS memory card.

Movie Select the Movie icon to access the movies stored on your SD, MMC, XD, or MS memory card.
(compatible with MPEG4 video files only.)

Setup Select the Setup icon to access the setup menu.

Calendar Select the calendar icon to access the calendar options.

Clock Select the clock icon to access the clock options and set the time.

Alarm Select the Alarm icon to access the alarm options and set the alarm.

Copy/Del Select the Copy option to copy files from your SD, MMC, XD, or MS memory card, or USB storage device to the internal memory. Select the delete option to delete files stored in your Favorites Folder (files stored in the favorites folder are limited to the files saved on the internal memory of the unit).

Favorite Select the Favorite icon to access the photographs stored on the digital photo frame's internal

The Setup Menu

Photo Setting Choose the interval time and transition effects for a photo slideshow.

Auto Play Turn the Auto Play on Photos, Music, and Movies on or off. Selecting the Photos, Music, or Movie icons from the main menu with Auto Play enabled will automatically play a slideshow, song, or movie.

Display Setup Adjust the Display's ratio (16:9 or 4:3), brightness, contrast, and saturation from the Display Setup menu.

Custom Setup Choose Custom Setup to change the On Screen Display (OSD) Language, Interface Style, or Repeat Mode. From here you can also set the time and restore the digital photo frame to the factory settings.

Exit Select exit to return to the main menu.



Service Information

Address 2116 Carr Street, St. Louis MO, 63106

Phone 1-314-621-2881

Fax 1-314-588-1805

Email prodinfo@gpx.com

Website www.gpx.com

To download this Instruction Manual in English, Spanish, or French visit the Support section at www.gpx.com.

Para descargar este manual de instrucción en inglés, español, o francés visite la sección de la ayuda en www.gpx.com.

Pour télécharger ce manuel d'instruction en anglais, espagnol, ou le Français visitez la section de soutien à www.gpx.com.

Free Manuals Download Website

<http://myh66.com>

<http://usermanuals.us>

<http://www.somanuals.com>

<http://www.4manuals.cc>

<http://www.manual-lib.com>

<http://www.404manual.com>

<http://www.luxmanual.com>

<http://aubethermostatmanual.com>

Golf course search by state

<http://golfingnear.com>

Email search by domain

<http://emailbydomain.com>

Auto manuals search

<http://auto.somanuals.com>

TV manuals search

<http://tv.somanuals.com>