



USER'S GUIDE

V:1209-0611-09

CI109BU, CI109S,
CI109P, CI109PR

Clock Radio with Dock for iPod

CONTENTS

CONTENTS

GENERAL PRODUCT INFORMATION

FEATURES
IN THE BOX

WARNINGS AND PRECAUTIONS

POWERING THE UNIT

DC POWER ADAPTER

COMPANY INFORMATION

INTERNATIONAL SUPPORT
SERVICE INFORMATION
BACKUP BATTERY

OPERATIONS

SETTING THE CLOCK
SETTING THE ALARM
SETTING THE SLEEP TIMER
TUNING THE AM OR FM RADIO
USING THE AUXILIARY INPUT
DOCKING & PLAYING AN IPOD

CONTROLS

CONTROL GLOSSARY

WARNINGS AND PRECAUTIONS

- **CAUTION:** TO PREVENT ELECTRIC SHOCK, MATCH WIDE BLADE OF PLUG TO WIDE SLOT, FULLY INSERT.
- **WARNING:** To prevent fire or shock hazards, do not expose this unit to rain or moisture.
- **CAUTION:** Use of controls or adjustments or performance of procedures other than those specified may result in hazardous radiation exposure.
- **WARNING:** Changes or modifications to this unit not expressly approved by the party responsible for compliance could void the user's authority to operate the equipment.
- **WARNING:** Do not place the unit on top of any soft, porous, or sensitive surfaces to avoid damaging the surface. Use a protective barrier between the unit and surface to protect the surface.
- **CAUTION:** Danger of explosion if battery is incorrectly replaced. Replace only with the same or equivalent type.
- **PRÉCAUTION:** *Danger d'explosion si les piles sont remplacées de façon incorrect. Remplacer les piles seulement par le même type de pile ou l'équivalent.*

Do not mix old and new batteries.

Do not mix alkaline, standard (carbon-zinc), or rechargeable (ni-cad, ni-mh, etc) batteries.

No mezcle baterías viejas y nuevas.

No mezcle baterías alcalinas, estándar (carbono-zinc) o recargables (ni-cad, ni-mh, etc.).

FCC Warnings

NOTE: This equipment has been tested and found to comply with the limits for a Class B digital device, pursuant to Part 15 of the FCC Rules. These limits are designed to provide reasonable protection against harmful interference in a residential installation. This equipment generates, uses, and can radiate radio frequency energy and, if not installed and used in accordance with the instructions, may cause harmful interference to radio communications. However, there is no guarantee that interference will not occur in a particular installation. If this equipment does cause harmful interference to radio or television reception, which can be determined by turning the equipment off and on, the user is encouraged to try to correct the interference by one or more of the following measures:

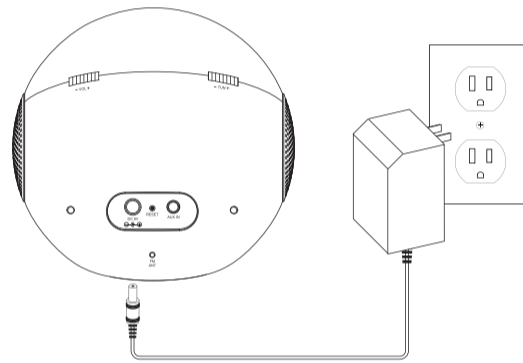
- Reorient or relocate the receiving antenna.
- Increase the separation between the equipment and receiver.
- Connect the equipment into an outlet on a circuit different from that to which the receiver is connected.
- Consult the dealer or an experienced radio/TV technician for help.

For the most up-to-date version of this User's Guide, go to www.gpx.com

POWERING THE UNIT

DC POWER ADAPTER

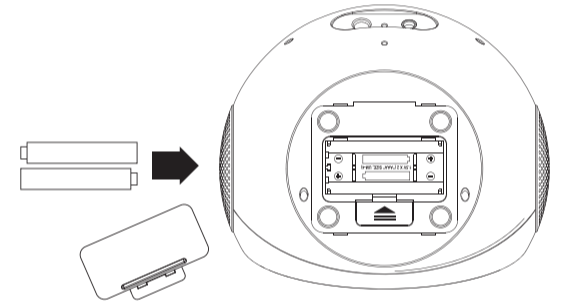
Use the included AC/DC Power Adapter to connect the unit to a standard AC power source.



BACKUP BATTERY

Requires 2 AAA batteries, not included.

Please note, the battery backup is meant for short-term, unexpected power outages. The units primary functions cannot operate off of the backup batteries alone.



GENERAL PRODUCT INFORMATION

FEATURES

Dock plays and charges iPod

AM/FM radio

Digital clock with alarm

Wake to radio or buzzer

Built-in speaker

AC power

IN THE BOX

CI109BU, CI109S, CI109P or CI109PR

AC/DC Adapter

Documentation

COMPANY INFORMATION

INTERNATIONAL SUPPORT

To download this User's Guide in English, Spanish, or French, visit the support section at www.gpx.com.

Para transferir esta guía de usuario en inglés, español, o francés, visite la sección de la ayuda en www.gpx.com.

Pour télécharger ce guide de l'utilisateur en anglais, espagnol, ou français, visitez la section de soutien chez www.gpx.com.

SERVICE INFORMATION

Address: 2116 Carr Street, St. Louis MO, 63106

Phone: 1-314-621-2881

Fax: 1-314-588-1805

Email: prodinfo@gpx.com

Parts Email: partsinfo@dpi-global.com

Website: www.gpx.com

OPERATIONS

SETTING THE CLOCK

1. Press the **Power/AL Off Button** to turn the unit off.
2. Press and hold the **Clock Button** for 3 seconds.
3. Press the **Hour/Display and Minute Buttons** to adjust the hour and minute on the clock.
4. Press the **Clock Button** to set the adjusted time.

SETTING THE ALARM

1. Press the **Power/AL Off Button** to turn the unit off.
2. Press and hold the **Alarm Button** for 3 seconds.
3. Press the **Hour/Display and Minute Buttons** to adjust the hour and minute on the alarm time.
4. Press the **Alarm Button** to set the adjusted alarm time.
5. Press the **Alarm Button** repeatedly to adjust the alarm source to *Buzz*, *FM*, *AM*, or *iPod*.

SETTING THE SLEEP TIMER

1. Turn the unit on in radio mode or iPod mode.
2. Press the **Sleep Button** repeatedly to adjust the sleep timer between 90 and 10 minutes (in 10 minute increments).
3. After the allotted time has expired, the unit will power off.

TUNING THE AM OR FM RADIO

1. Press the **Power/AL Off Button** to turn the unit on.
2. Press the **Source Button** to switch to AM or FM radio mode.
3. Turn the **Tuning Dial** to tune the AM or FM radio.

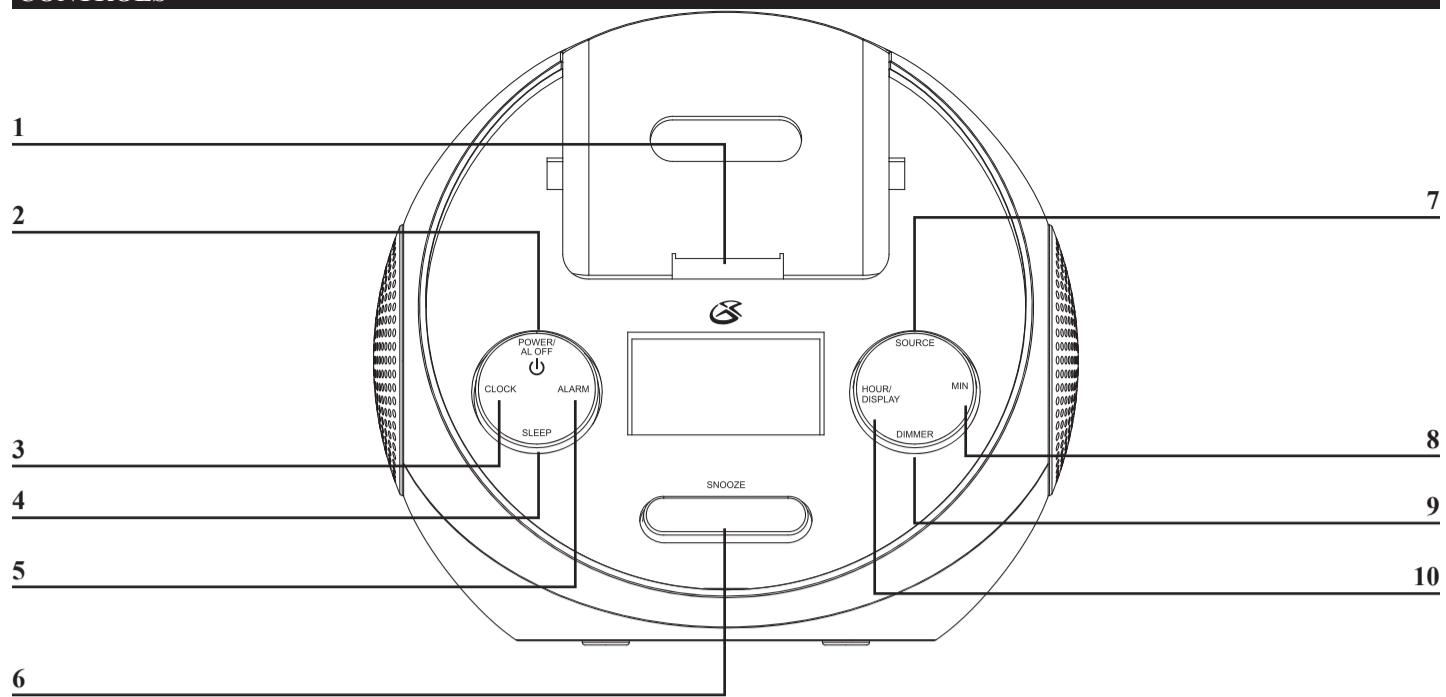
USING THE AUXILIARY INPUT

1. Connect an MP3 Player or other audio source to the **Auxiliary Input**.
2. Press the **Source Button** to switch to *AUX Mode*.
3. Audio from the connected MP3 Player or other audio source will now play through the unit's speakers.

DOCKING & PLAYING AN IPOD

1. Reference the included iPod compatibility chart to see which iPods are compatible with this unit.
2. Connect a compatible iPod to the Dock Connector.
3. Press the **Power/AL Off Button** to turn the unit on.
4. Press the **Source Button** to switch to *iPod mode*.
5. Use the iPod's native controls to begin playing content from the iPod through the unit's speakers.

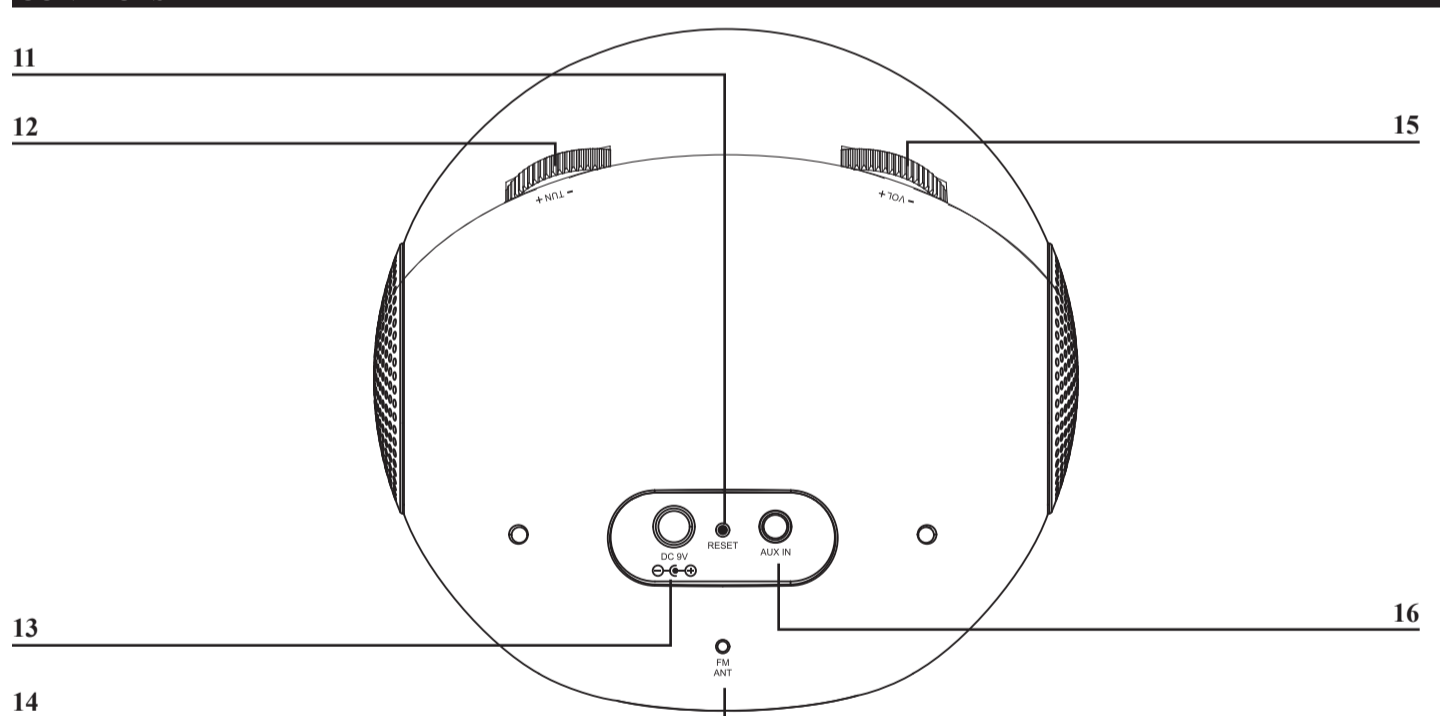
CONTROLS



CONTROL GLOSSARY

- | | |
|--|--|
| 01. Dock Connector for iPod | 07. Source Button |
| 02. Power/AL Off Button | Press the Source Button to switch between <i>AM</i> , <i>FM</i> , <i>iPod</i> , and <i>Aux modes</i> . |
| Press the Power Button to turn the unit off and on. | 08. Minute Button |
| Press the AL Off Button after the alarm sounds to turn the alarm off until the next day. | Press the Minute Button to adjust the minute when setting the clock, alarm, or timer. |
| 03. Clock Button | 09. Dimmer Button |
| Press the Clock Button to set the unit's clock. | Press the Dimmer Button to adjust the brightness of the display. |
| 04. Sleep Button | 10. Hour/Display Button |
| Press the Sleep Button repeatedly to set the unit's sleep timer. | Press the Hour Button to adjust the hour when setting the clock, alarm, or timer. |
| 05. Alarm Button | Press the Display Button to view the time when in <i>AM</i> or <i>FM</i> radio modes. |
| Press the Alarm Button to set the unit's alarm. | |
| 06. Snooze Button | |
| Press the Snooze Button to delay the alarm for 9 minutes after it has sounded. | |

CONTROLS



CONTROL GLOSSARY

- | | |
|--|---|
| 11. Reset Button | 15. Volume Dial |
| Press the Reset Button using a paperclip or like object to restore the unit to its default settings. | Turn the Volume Dial to adjust the volume of the unit. |
| 12. Tuning Dial | 16. Auxiliary Input |
| Turn the Tuning Dial to adjust the AM or FM radio station. | Use the Auxiliary Input to connect the unit to an MP3 player or other audio source. |
| 13. DC Power Input | |
| Use the DC Power Input to connect the unit to a power source. | |
| 14. FM Wire Antenna | |
| Adjust the FM Wire Antenna to improve the FM radio reception. | |
| An AM antenna is built into the unit. Adjust the position of the unit to improve AM radio reception. | |

Free Manuals Download Website

<http://myh66.com>

<http://usermanuals.us>

<http://www.somanuals.com>

<http://www.4manuals.cc>

<http://www.manual-lib.com>

<http://www.404manual.com>

<http://www.luxmanual.com>

<http://aubethermostatmanual.com>

Golf course search by state

<http://golfingnear.com>

Email search by domain

<http://emailbydomain.com>

Auto manuals search

<http://auto.somanuals.com>

TV manuals search

<http://tv.somanuals.com>