



USER'S GUIDE
V:1514-0322-10



C280

Sunrise Clock Radio

For the most up-to-date version of this User's Guide, go to www.gpx.com

Warnings and Precautions

- **CAUTION:** TO PREVENT ELECTRIC SHOCK, MATCH WIDE BLADE OF PLUG TO WIDE SLOT, FULLY INSERT.
- **WARNING:** To reduce the risk of fire or electric shock, do not expose this apparatus to rain or moisture.
- **AVERTISSEMENT:** Pour réduire le risque d'incendie ou de choc électrique, ne pas exposer cet appareil sous la pluie et l'humidité.
- **CAUTION:** Use of controls or adjustments or performance of procedures other than those specified may result in hazardous radiation exposure.
- **WARNING:** Changes or modifications to this unit not expressly approved by the party responsible for compliance could void the user's authority to operate the equipment.
- **WARNING:** Do not place the unit on top of any soft, porous, or sensitive surfaces to avoid damaging the surface. Use a protective barrier between the unit and surface to protect the surface.
- **WARNING:** Use of this unit near fluorescent lighting may cause interference regarding use of the remote. If the unit is displaying erratic behavior move away from any fluorescent lighting, as it may be the cause.
- **CAUTION:** Danger of explosion if battery is incorrectly replaced. Replace only with the same or equivalent type.
- **PRÉCAUTION:** Danger d'explosion si les piles sont remplacées de façon incorrect. Remplacer les piles seulement par le même type de pile ou l'équivalent.
- **WARNING:** There is a danger of explosion if you attempt to charge standard Alkaline batteries in the unit. Only use rechargeable NiMH batteries.
- **WARNING:** The remote control's button cell battery contains mercury. Do not put in the trash, instead recycle or dispose of as hazardous waste
- **WARNING:** Lithium batteries, like all rechargeable batteries are recyclable and should be recycled or disposed of in normal household waste. Contact your local government for disposal or recycling practices in your area. They should never be incinerated since they might explode.

Main plug is used as disconnect device and it should remain readily operable during intended use.

Do not mix old and new batteries.
Do not mix alkaline, standard (carbon-zinc), or rechargeable (ni-cad, ni-mh, etc) batteries.
No mezcle baterías viejas y nuevas.
No mezcle baterías alcalinas, estándar (carbono-zinc) o recargables (ni-cad, ni-mh, etc.).



WARNING: TO REDUCE THE RISK OF ELECTRIC SHOCK, DO NOT REMOVE COVER (OR BACK). NO USER-SERVICEABLE PARTS INSIDE. REFER SERVICING TO QUALIFIED SERVICE PERSONNEL.



The lightning flash with arrowhead symbol, within an equilateral triangle, is intended to alert the user to the presence of uninsulated "dangerous voltage" within the product's enclosure that may be of sufficient magnitude to constitute a risk of electric shock to persons.



The exclamation point within an equilateral triangle is intended to alert the user to the presence of important operating and maintenance (servicing) instructions in the literature accompanying the appliance.



This product utilizes a Class 1 laser to read Compact Discs. This Laser Compact Disc Player is equipped with safety switches to avoid exposure when the CD door is open and the safety interlocks are defeated. Invisible laser radiation is present when the CD Player's lid is open and the system's interlock has failed or been defeated. It is very important that you avoid direct exposure to the laser beam at all times. Please do not attempt to defeat or bypass the safety switches.

Important Safety Instructions

1. Read these Instructions.
2. Keep these Instructions.
3. Heed all Warnings.
4. Follow all instructions.
5. Do not use this apparatus near water.
6. Clean only with a dry cloth.
7. Do not block any ventilation openings. Install in accordance with the manufacturer's instructions.
8. Do not install near any heat sources such as radiators, heat registers, stoves, or other apparatus (including amplifiers) that produce heat.
9. Do not defeat the safety purpose of the polarized or grounding - type plug. A polarized plug has two blades with one wider than the other. A grounding type plug has two blades and a third grounding prong. The wide blade or the third prong are provided for your safety. When the provided plug does not fit into your outlet, consult an electrician for replacement of the obsolete outlet.
10. Protect the power cord from being walked on or pinched particularly at plugs, convenience receptacles, and the point where they exit from the apparatus.
11. Only use attachments/accessories specified by the manufacturer.
12. Use only with a cart, stand, tripod, bracket, or table specified by the manufacturer, or sold with the apparatus. When a cart is used, use caution when moving the cart/apparatus combination to avoid injury from tip-over.
13. Unplug this apparatus during lightning storms or when unused for long periods of time.
14. Refer all servicing to qualified service personnel. Servicing is required when the apparatus has been damaged in any way, such as power-supply cord or plug is damaged, liquid has been spilled or objects have fallen into the apparatus, the apparatus has been exposed to rain or moisture, does not operate normally, or has been dropped.

FCC Warnings

NOTE: This equipment has been tested and found to comply with the limits for a Class B digital device, pursuant to Part 15 of the FCC Rules. These limits are designed to provide reasonable protection against harmful interference in a residential installation. This equipment generates, uses, and can radiate radio frequency energy and, if not installed and used in accordance with the instructions, may cause harmful interference to radio communications. However, there is no guarantee that interference will not occur in a particular installation. If this equipment does cause harmful interference to radio or television reception, which can be determined by turning the equipment off and on, the user is encouraged to try to correct the interference by one or more of the following measures:

- Reorient or relocate the receiving antenna.
- Increase the separation between the equipment and receiver.
- Connect the equipment into an outlet on a circuit different from that to which the receiver is connected.
- Consult the dealer or an experienced radio/TV technician for help.

Additional Warnings

- The apparatus shall not be exposed to dripping or splashing and that no objects filled with liquids, such as vases, shall be placed on apparatus.
L'appareil ne doit pas être exposé aux écoulements ou aux éclaboussures et aucun objet ne contenant de liquide, tel qu'un vase, ne doit être placé sur l'objet.
- Main plug is used as disconnect device and it should remain readily operable during intended use. In order to disconnect the apparatus from the mains completely, the mains plug should be disconnected from the mains socket outlet completely.
La prise du secteur ne doit pas être obstruée ou doit être facilement accessible pendant son utilisation. Pour être complètement déconnecté de l'alimentation d'entrée, la prise doit être débranchée du secteur.
- Battery shall not be exposed to excessive heat such as sunshine, fire or the like.
Les piles ne doivent pas être exposées à de forte chaleur, tel qu'à la lumière du soleil, au feu ou autres choses de semblable.
- Caution marking is located at the rear of the apparatus.
Les marquages sont inscrits de derrière de l'appareil.
- The marking information is located at the rear of apparatus.
Les précautions d'emploi sont inscrites de derrière de l'appareil.



Sunrise Clock Radio

Features

- Sunrise light
- AM/FM radio
- Alarm
- Digital clock
- Snooze
- Sleep timer for LED light
- Wake to radio, buzzer and light
- Gradual wake
- 0.9" red LED display
- Dimmer control
- DC power input: requires an AC/DC power adapter (included)

Included

- C280
- AC/DC power adapter
- Warranty card
- Users guide

TABLE OF CONTENTS

Warnings and Precautions	2
Important Safety Instructions	3
• FCC Warnings	
• Additional Warnings	
Sunrise Clock Radio	4
• Features	
• Included	
Introduction	6
Setup	8
• Power	
• Battery Backup	
Clock	9
• Setting the Clock	
• Sleep Timer	
Alarm	10
• Setting the Alarm	
• Snooze and Alarm Reset	
Radio & Line Input	11
• Tuning the AM or FM Radio	
• Using the Line Input	
Company Information	12
• Green Initiative	
• International Support	
• Contact Information	

Introduction

PM INDICATOR
Lights when the current time is in the PM.

AM/FM FREQUENCY DISPLAY

AL BUZZ INDICATOR
Lights when the alarm is on and set to buzzer.

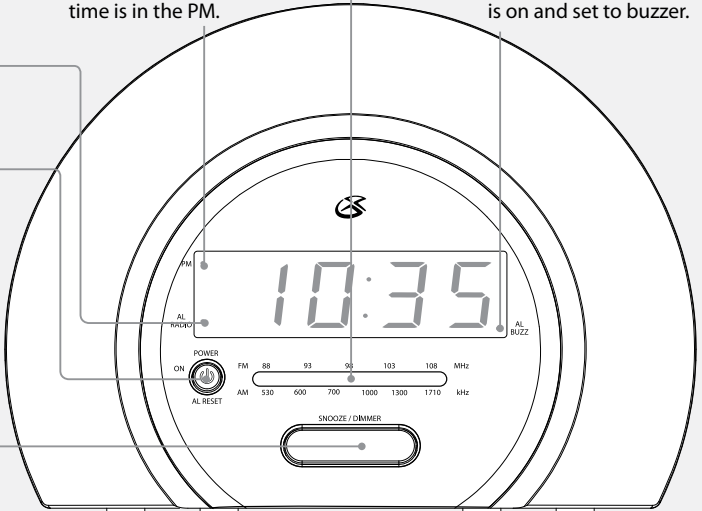
AL RADIO INDICATOR
Lights when the alarm is on and set to radio.

POWER/AL RESET

Press to power the clock radio off or on. After the alarm sounds, press to turn the alarm off until the set alarm time is reached again.

SNOOZE/DIMMER

Press to snooze the alarm after it sounds. Press to adjust the brightness of the LCD display.



AM/FM

Press to switch between AM and FM radio mode.

CLK SET

With the power off, press and hold to set the time.

AL SET

Press to view the alarm time. With the alarm time on display, press and hold to set the alarm time.

SLEEP

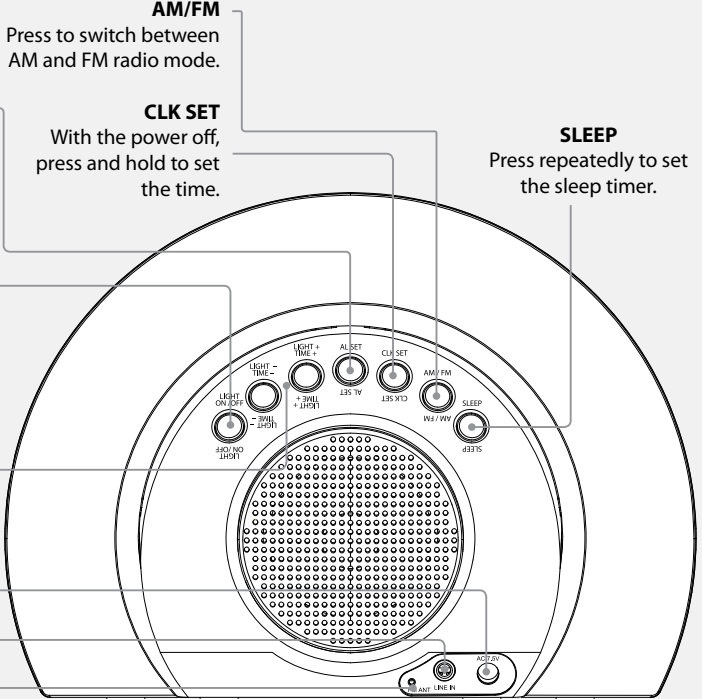
Press repeatedly to set the sleep timer.

LIGHT ON/OFF

Press to turn the built-in light off or on.

LIGHT ±/TIME±

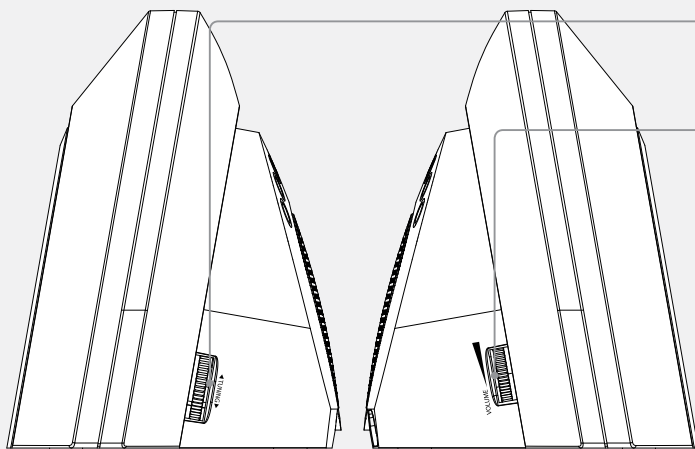
With the light turned on, press to adjust the brightness. Press to adjust the time when setting the clock or alarm.



DC POWER INPUT

3.5mm LINE INPUT

FM WIRE ANTENNA

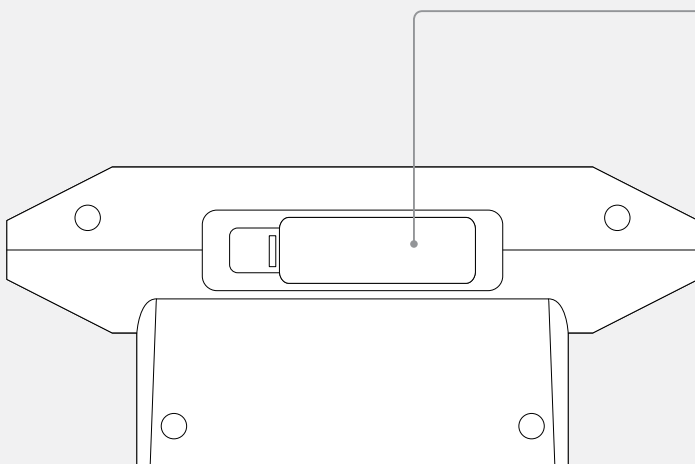


TUNING

Turn to adjust the AM or FM radio station.

VOLUME

Turn to adjust the volume.



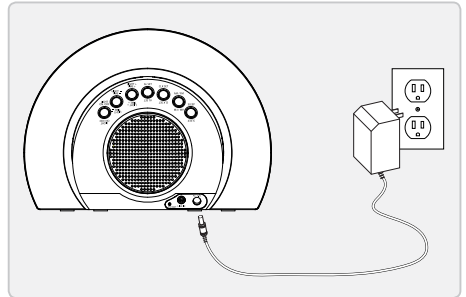
BATTERY BACKUP

Requires 2, AAA-size, batteries (not included)

Setup

Power

Plug the included AC/DC power adapter into the DC POWER INPUT on the clock radio and a standard AC power outlet.



Battery Backup

The battery backup is intended for short power outages only. The clock radio's primary functions cannot run off of the battery backup alone.

Requires 2, AAA-size, batteries (not included)

Setting the Clock

1. Press the **POWER** button to turn the clock radio off.
2. Press and hold the **CLK SET** button.

The hour will begin to blink.

3. Press the **LIGHT±/TIME±** buttons to adjust the hour.

The PM indicator will light when the hour is set in the PM.

4. Press the **CLK SET** button.

The minutes will begin to blink.

5. Press the **LIGHT±/TIME±** buttons to adjust the minute.

6. Press the **CLK SET** button to finish setting the time.

Sleep Timer

1. Press the **SLEEP** button repeatedly to set the sleep timer (90, 60, 45, 30, or OFF).
2. Once the set sleep time has expired the clock radio will automatically power off.

Alarm

Setting the Alarm

The alarm must be set at least 10 minutes before the actual alarm time is reached in order for the gradual light to turn on.

1. Press the **AL SET** button to view the alarm time.
2. Press and hold the **AL SET** button.

The hour will begin to blink.

3. Press the **LIGHT±/TIME±** buttons to adjust the hour.

The PM indicator will light when the hour is set in the PM.

4. Press the **AL SET** button.

The minutes will begin to blink.

5. Press the **LIGHT±/TIME±** buttons to adjust the minute.

6. Press the **AL SET** button.

The light will come on.

7. Press the **LIGHT±/TIME±** buttons to set the brightness of the light when the alarm sounds.

8. Press the **AL SET** button.

9. Press the **LIGHT±/TIME±** buttons to switch between **AL RADIO** and **AL BUZZ**.

10. Press the **AL SET** button to finish setting the alarm.

11. Once the set alarm time is reached, the alarm will sound.

Snooze and Alarm Reset

After the alarm sounds:

Press the **SNOOZE** button to delay the alarm for an additional 9 minutes.

OR

Press the **POWER/AL RESET** button to turn the alarm off until the set alarm time is reached again.

Tuning the AM or FM Radio

1. Press the **POWER/AL RESET** button to turn the clock radio on.
2. Press the **AM/FM** button to switch between the AM and FM radio mode.
3. Turn the **TUNING** dial to adjust the AM or FM radio station.

Using the Line Input

Requires a 3.5mm line input cable (not included)

1. Use a 3.5mm line input cable to connect the **LINE INPUT** on the clock radio to an audio source, such as an MP3 player.
2. Press the **POWER/AL RESET** button to turn the clock radio on.
3. Use the native controls on the connected audio source to play and pause audio through the clock radio.

Company Information

Green Initiative

Environmental Commitment to 'Protect for Today and Sustain for Tomorrow'

2009 marked the official launch of DPI, Inc.'s corporate campaign for a greener and cleaner world. DPI is building upon environmental initiatives introduced at all of their facilities to help formulate and sustain significant and important conservation efforts within its manufacturing and marketing communities. In addition to targeting and selecting energy efficient product features, and structuring 'green office' procedures, other initial program efforts include:

- Reduction of all packaging sizes
- Recyclable plastics for clamshell packages, with a plan to eventually replace plastic with recyclable paper
- Recycled fiber board in place of the polyfoam in packing boxes
- Recycled plastics in place of the virgin material in product construction

International Support

To download this User's Guide in English, Spanish, or French, visit the support section at www.gpx.com.

Para transferir esta guía de usuario en inglés, español, o francés, visite la sección de la ayuda en www.gpx.com.

Pour télécharger ce guide de l'utilisateur en anglais, espagnol, ou français, visitez la section de soutien chez www.gpx.com.

Contact Information

Address:

2116 Carr Street, St. Louis MO, 63106

Phone:

1-314-621-2881

Fax:

1-314-588-1805

Email:

proinfo@gpx.com

Parts Email:

partsinfo@dpi-global.com

Website:

www.gpx.com

Free Manuals Download Website

<http://myh66.com>

<http://usermanuals.us>

<http://www.somanuals.com>

<http://www.4manuals.cc>

<http://www.manual-lib.com>

<http://www.404manual.com>

<http://www.luxmanual.com>

<http://aubethermostatmanual.com>

Golf course search by state

<http://golfingnear.com>

Email search by domain

<http://emailbydomain.com>

Auto manuals search

<http://auto.somanuals.com>

TV manuals search

<http://tv.somanuals.com>