

**IMPORTANT SAFETY INSTRUCTIONS**

1. Read these Instructions.
2. Keep these Instructions.
3. Heed all Warnings.
4. Follow all instructions.
5. Do not use this apparatus near water.
6. Clean only with a dry cloth.
7. Do not block any ventilation openings. Install in accordance with the manufacturer's instructions.
8. Do not install near any heat sources such as radiators, heat registers, stoves, or other apparatus (including amplifiers) that produce heat.
9. Do not defeat the safety purpose of the polarized or grounding-type plug. A polarized plug has two blades with one wider than the other. A grounding-type plug has two blades and a third grounding prong. The wide blade or the third prong are provided for your safety. When the provided plug does not fit into your outlet, consult an electrician for replacement of the obsolete outlet.
10. Protect the power cord from being walked on or pinched particularly at plugs, convenience receptacles, and the point where they exit from the apparatus.
11. Only use attachments/accessories specified by the manufacturer.
12. Use only with a cart, stand, tripod, bracket, or table specified by the manufacturer, or sold with the apparatus. When a cart is used, use caution when moving the cart/apparatus combination to avoid injury from tip-over. Unplug this apparatus during lightning storms or when unused for long periods of time.
13. Refer all servicing to qualified service personnel. Servicing is required when the apparatus has been damaged in any way, such as power-supply cord or plug is damaged, liquid has been spilled or objects have fallen into the apparatus, the apparatus has been exposed to rain or moisture, does not operate normally, or has been dropped.



**FCC Warnings**

Warning: Changes or modifications to this unit not expressly approved by the party responsible for compliance could void the user's authority to operate the equipment.

NOTE: This equipment has been tested and found to comply with the limits for a Class B digital device, pursuant to Part 15 of the FCC Rules. These limits are designed to provide reasonable protection against harmful interference in a residential installation. This equipment generates, uses, and can radiate radio frequency energy and, if not installed and used in accordance with the instructions, may cause harmful interference to radio communications. However, there is no guarantee that interference will not occur in a particular installation. If this equipment does cause harmful interference to radio or television reception, which can be determined by turning the equipment off and on, the user is encouraged to try to correct the interference by one or more of the following measures:

- Reorient or relocate the receiving antenna.
- Increase the separation between the equipment and receiver.
- Connect the equipment into an outlet on a circuit different from that to which the receiver is connected.
- Consult the dealer or an experienced radio/TV technician for help.

**Additional Warnings**

- The apparatus shall not be exposed to dripping or splashing and that no objects filled with liquids, such as vases, shall be placed on apparatus.  
*L'appareil ne doit pas être exposé aux écoulements ou aux éclaboussures et aucun objet ne contenant de liquide, tel qu'un vase, ne doit être placé sur l'objet.*
- Main plug is used as disconnect device and it should remain readily operable during intended use. In order to disconnect the apparatus from the mains completely, the mains plug should be disconnected from the mains socket outlet completely.  
*La prise du secteur ne doit pas être obstruée ou doit être facilement accessible pendant son utilisation. Pour être complètement déconnecté de l'alimentation d'entrée, la prise doit être débranchée du secteur.*
- Battery shall not be exposed to excessive heat such as sunshine, fire or the like.  
*Les piles ne doivent pas être exposées à de forte chaleur, tel qu'à la lumière du soleil, au feu ou autres choses de semblable.*
- Caution marking is located at the rear or bottom of the apparatus.  
*Attention marquage est situé sur le panneau arrière ou inférieur de l'unité.*
- The marking information is located at the rear or bottom of apparatus.  
*Le marquage est situé sur le panneau arrière ou inférieur de l'unité.*

**WARNINGS AND PRECAUTIONS**

- **CAUTION:** TO PREVENT ELECTRIC SHOCK, MATCH WIDE BLADE OF PLUG TO WIDE SLOT, FULLY INSERT.
- **WARNING:** To reduce the risk of fire or electric shock, do not expose this apparatus to rain or moisture.
- **AVERTISSEMENT:** Pour réduire le risque d'incendie ou de choc électrique, ne pas exposer cet appareil sous la pluie et l'humidité.
- **CAUTION:** Use of controls or adjustments or performance of procedures other than those specified may result in hazardous radiation exposure.
- **WARNING:** Changes or modifications to this unit not expressly approved by the party responsible for compliance could void the user's authority to operate the equipment.
- **WARNING:** Do not place the unit on top of any soft, porous, or sensitive surfaces to avoid damaging the surface. Use a protective barrier between the unit and surface to protect the surface.
- **CAUTION:** Danger of explosion if battery is incorrectly replaced.  
Replace only with the same or equivalent type.  
*PRÉCAUTION: Danger d'explosion si les piles sont remplacées de façon incorrecte. Remplacer les piles seulement par le même type de pile ou l'équivalent.*
- **WARNING:** Shock hazard - Do Not Open.
- **AVIS: RISQUE DE CHOC ÉLECTRIQUE - NE PAS OUVRIR**  
Mains plug is used as disconnect device and it should remain readily operable during intended use. In order to disconnect the apparatus from the mains completely, the mains plug should be disconnected from the mains socket outlet completely.  
*La prise du secteur est utilisée pour déconnecter le système. La prise du secteur ne doit pas être obstruée ou doit être facilement accessible pendant son utilisation. Pour être complètement déconnecté de l'alimentation d'entrée, la prise doit être débranchée du secteur.*
- Do not mix old and new batteries.  
Do not mix alkaline, standard (carbon-zinc), or rechargeable (ni-cad, ni-mh, etc.) batteries.  
*No mezcle baterias viejas y nuevas.*  
*No mezcle baterias alcalinas, estándar (carbono-zinc) o recargables (ni-cad, ni-mh, etc.).*



**WARNING:** TO REDUCE THE RISK OF ELECTRIC SHOCK, DO NOT REMOVE COVER (OR BACK). NO USER-SERVICEABLE PARTS INSIDE. REFER SERVICING TO QUALIFIED SERVICE PERSONNEL.



The lightning flash with arrowhead symbol, within an equilateral triangle, is intended to alert the user to the presence of "uninsulated dangerous voltage" within the product's enclosure that may be of sufficient magnitude to constitute a risk of electric shock to persons.



The exclamation point within an equilateral triangle is intended to alert the user to the presence of important operating and maintenance (servicing) instructions in the literature accompanying the appliance.

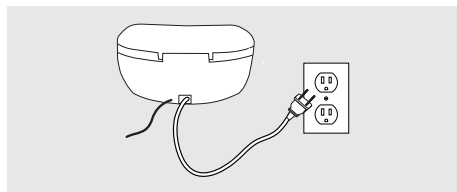


This symbol indicates that this product incorporates double insulation between hazardous mains voltage and user accessible parts.

**Introduction and Setup**

**Power**

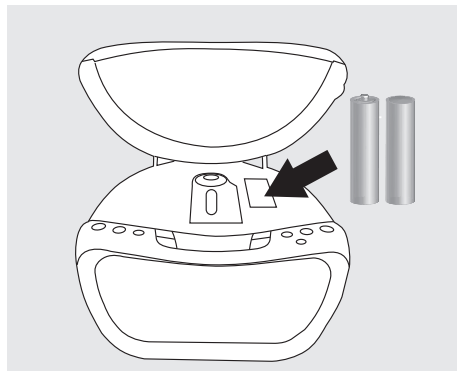
Plug the built-in AC Power cord into an AC power outlet to power the dock.



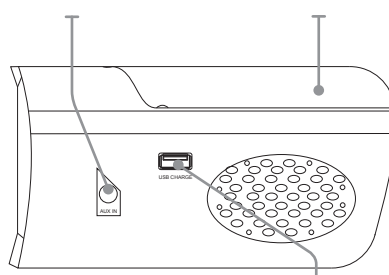
**Battery Backup**

The battery backup is intended for short power outages only. The clock radio's primary functions cannot run off of the battery backup alone.

Requires 2, AAA-size, batteries (not included)



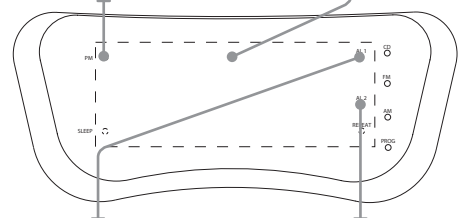
**Aux Input**



**CD Door**

**USB Port**

**PM Indicator**  
Lights when the time is in the PM.



**Alarm 1 Indicator**  
Lights when alarm 1 is on.

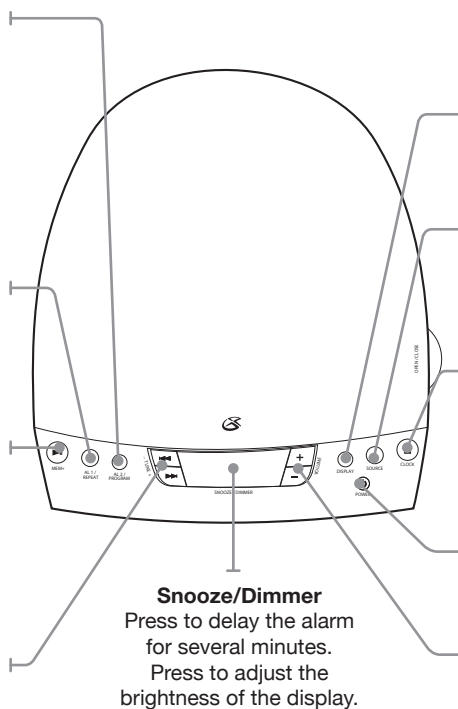
**Alarm 2 Indicator**  
Lights when alarm 2 is on.

**AI 2/Program**  
In Off mode, press and hold to begin setting Alarm 2.  
In On mode, press to program a loaded CD to play tracks in a specified order. Press to set a radio station as a preset.

**AL 1/Repeat**  
In Off mode, press and hold to begin setting Alarm 1.  
In On Mode, press to repeat the current track. Press twice to repeat the entire album.

**Play/Pause/Mem+**  
Press to play or pause a loaded CD. In radio mode, press to cycle through preset stations.

**Tune +/-**  
Press to tune the radio. Press and hold to search for the next available station.



**Display**  
Press to view the time in Radio, AUX or CD mode.

**Source**  
Press to switch between FM radio, AM radio, AUX, and CD modes.

**Stop/Clock**  
Press to stop a loaded CD. Press and hold to begin setting the time.

**Power**  
Press to turn the unit on or off.

**Volume**  
Press to adjust the volume.

## Clock and Sleep Timer

### Setting the Clock

1. Press the **Power** button to turn the unit off.
2. Press and hold the **Stop/Clock** button until the display begins to blink, then release the button.
3. Press the **Tune +/-** buttons to adjust the hour.

*The PM indicator will light when the hour is set in the PM.*

4. Press the **Stop/Clock** button.
5. Press the **Tune +/-** buttons to adjust the minute.
6. Press the **Stop/Clock** button to finish setting the time.

### Setting the Sleep Timer

1. Follow the instructions for [Setting the Clock](#).
2. Press the **Snooze/Sleep** button repeatedly to set the sleep timer ( 90, 80, 70, 60, 50, 40, 30, 20, 10 min or OFF ).
3. Once the set sleep time has expired the clock radio will automatically power off.

## CD

### Loading a CD

1. Open the **CD Door**.
2. Place a CD into the boombox, label side facing up.
3. Close the **CD Door**.

### Playing a CD

1. Follow the instructions for [Loading a CD](#).
2. Press the **Source** button to switch to CD mode.
3. Press the **Play/Pause** button to begin playing the loaded CD.

### Programming a CD

1. Follow the instructions for [Loading a CD](#) and [Playing a CD](#).
2. Press the **Stop** button to stop the CD during play.
3. Press the **Program** button.  
*"1--" will begin to blink on the display.*
4. Press the **Tune +/-** buttons to select a track.
5. Press the **Program** button to save the selected track to the program.
6. Repeat steps 4 and 5 to program up to 20 tracks.



### International Support

To download this User's Guide in English, Spanish, or French, or to get answers to frequently asked questions, visit the support section at:

[www.gpx.com](http://www.gpx.com)

## Alarm

### Setting the Alarm

1. Press the **Power** button to turn the unit off.
2. Press and hold the **AI1** or **AI2** button until the display begins to blink, then release the button.
3. Press the **Tune +/-** buttons to adjust the hour.

*The PM indicator will light when the hour is set in the PM.*

4. Press the the **AI1** or **AI2** button.
5. Press the **Tune +/-** buttons to adjust the minute.
6. Press the the **AI1** or **AI2** button.
7. Press the **Tune +/-** buttons to switch between Buzzer, AM Radio, FM Radio and CD.

*The display will indicate the following: rF-FM Radio, rA-AM Radio, bb-Buzzer and Cd-CD.*

*Use the Vol+/- buttons to adjust the volume of the alarm, except when set to Buzzer.*

8. Once the set alarm time is reached, the alarm will sound.

*To set the other alarm, follow the above steps and choose the alarm not currently set.*

### Cancelling the Alarm

1. Follow the instructions for [Setting the Alarm](#).
2. Press the **AI1** or **AI2** button until the indicator is no longer lit.

### Snooze and Alarm Reset

After the alarm sounds:

Press the **Snooze/Dimmer** button to delay the alarm for several minutes.

OR

Press the **Power** button to turn the alarm off until the set alarm time is reached again.

## AUX input

### Using the Audio Input

Requires a 3.5mm audio cable (not included).

1. Connect a 3.5mm audio cable to the **AUX Input** and the audio output on an MP3 player or other audio device.
2. Press the **Source** button to switch to AUX mode.
3. Use the native controls on the connected MP3 player or other audio source to play your audio through the CD Clock Radio.

## Radio

### Tuning the AM or FM Radio

1. Press the **Power** button to turn the unit on.
2. Press the **Source** button to switch between the AM and FM radio mode.
3. Press the **Tune +/-** buttons to adjust the radio to the desired frequency.
4. Press and hold the **Tune +/-** buttons to search for the next available frequency.
5. Press the **Vol+/-** buttons to adjust the volume.
6. Press the **Power** to turn the radio off.

### Saving a Station as a Preset

1. Follow the instructions for [Tuning the AM or FM Radio](#).
2. Tune to the desired station.
3. Press the **AI 2/Program** button.  
*The display will flash.*
4. Press the **Tune +/-** buttons to set as P1 - P10.
5. Press the **AI 2 /Program** to finish setting the station as a preset.

### Tuning to a Preset Radio Station

1. Follow the instructions for [Tuning the Radio](#) and [Saving a Station as a Preset](#).
2. Press the **Play/Pause/Mem+** button to cycle through preset radio stations.

### Radio Reception

Extend the **FM Antenna** to improve FM radio reception.

An AM antenna is built into the clock radio. To improve AM radio reception, adjust the position of the clock radio.

## USB

### Charging a Device with the USB Port

Requires a USB cable (not included).

1. Make sure the unit is plugged into the wall.
2. Using the appropriate USB charging cable (not included), connect one end to the device and the other to the USB Port on the unit.

*Refer to the user's manual for your specific device for manufacturers required charging amperage as well as determining the appropriate cable for your device before charging.*

3. The device will now charge.

*Note: Refer to the user's manual for your specific device for manufacturers required charging amperage. High-ampereage devices such as iPads will not charge.*

## Free Manuals Download Website

<http://myh66.com>

<http://usermanuals.us>

<http://www.somanuals.com>

<http://www.4manuals.cc>

<http://www.manual-lib.com>

<http://www.404manual.com>

<http://www.luxmanual.com>

<http://aubethermostatmanual.com>

Golf course search by state

<http://golfingnear.com>

Email search by domain

<http://emailbydomain.com>

Auto manuals search

<http://auto.somanuals.com>

TV manuals search

<http://tv.somanuals.com>