



D200B

DVD Player

For the most up-to-date version of this User's Guide, go to www.gpx.com

Warnings and Precautions

- **CAUTION:** TO PREVENT ELECTRIC SHOCK, MATCH WIDE BLADE OF PLUG TO WIDE SLOT, FULLY INSERT.
- **WARNING:** To reduce the risk of fire or electric shock, do not expose this apparatus to rain or moisture.
- **AVERTISSEMENT:** Pour réduire le risque d'incendie ou de choc électrique, ne pas exposer cet appareil sous la pluie et l'humidité.
- **CAUTION:** Use of controls or adjustments or performance of procedures other than those specified may result in hazardous radiation exposure.
- **WARNING:** Changes or modifications to this unit not expressly approved by the party responsible for compliance could void the user's authority to operate the equipment.
- **WARNING:** Do not place the unit on top of any soft, porous, or sensitive surfaces to avoid damaging the surface. Use a protective barrier between the unit and surface to protect the surface.
- **WARNING:** Use of this unit near fluorescent lighting may cause interference regarding use of the remote. If the unit is displaying erratic behavior move away from any fluorescent lighting, as it may be the cause.
- **CAUTION:** Danger of explosion if battery is incorrectly replaced. Replace only with the same or equivalent type.
- **PRÉCAUTION:** *Danger d'explosion si les piles sont remplacées de façon incorrect. Remplacer les piles seulement par le même type de pile ou l'équivalent.*
- **WARNING:** There is a danger of explosion if you attempt to charge standard Alkaline batteries in the unit. Only use rechargeable NiMH batteries.
- **WARNING:** The remote control's button cell battery contains mercury. Do not put in the trash, instead recycle or dispose of as hazardous waste

- **WARNING:** Lithium batteries, like all rechargeable batteries are recyclable and should be recycled or disposed of in normal household waste. Contact your local government for disposal or recycling practices in your area. They should never be incinerated since they might explode.
- **WARNING:** Shock hazard - Do Not Open.
- **AVIS:** *RISQUE DE CHOC ÉLECTRIQUE - NE PAS OUVRIR*

Mains plug is used as disconnect device and it should remain readily operable during intended use. In order to disconnect the apparatus from the mains completely, the mains plug should be disconnected from the mains socket outlet completely.

La prise du secteur est utilisé pour déconnecter le système.

La prise du secteur ne doit pas être obstruée ou doit être facilement accessible pendant son utilisation. Pour être complètement déconnecté de l'alimentation d'entrée, la prise doit être débranchée du secteur.

Do not mix old and new batteries.

Do not mix alkaline, standard (carbon-zinc), or rechargeable (ni-cad, ni-mh, etc) batteries.

No mezcle baterias viejas y nuevas.

No mezcle baterias alcalinas, estándar (carbano-zinc) o recargables (ni-cad, ni-mh, etc.).



WARNING: TO REDUCE THE RISK OF ELECTRIC SHOCK, DO NOT REMOVE COVER (OR BACK). NO USER-SERVICEABLE PARTS INSIDE. REFER SERVICING TO QUALIFIED SERVICE PERSONNEL.



The lightning flash with arrowhead symbol, within an equilateral triangle, is intended to alert the user to the presence of uninsulated "dangerous voltage" within the product's enclosure that may be of sufficient magnitude to constitute a risk of electric shock to persons.



The exclamation point within an equilateral triangle is intended to alert the user to the presence of important operating and maintenance (servicing) instructions in the literature accompanying the appliance.



This product utilizes a Class 1 laser to read Compact Discs. This laser Compact Disc Player is equipped with safety switches to avoid exposure when the CD door is open and the safety interlocks are defeated. Invisible laser radiation is present when the CD Player's lid is open and the system's interlock has failed or been defeated. It is very important that you avoid direct exposure to the laser beam at all times. Please do not attempt to defeat or bypass the safety switches.

Important Safety Instructions

1. Read these Instructions.
2. Keep these Instructions.
3. Heed all Warnings.
4. Follow all instructions.
5. Do not use this apparatus near water.
6. Clean only with a dry cloth.
7. Do not block any ventilation openings. Install in accordance with the manufacturer's instructions.
8. Do not install near any heat sources such as radiators, heat registers, stoves, or other apparatus (including amplifiers) that produce heat.
9. Do not defeat the safety purpose of the polarized or grounding - type plug. A polarized plug has two blades with one wider than the other. A grounding type plug has two blades and a third grounding prong. The wide blade or the third prong are provided for your safety. When the provided plug does not fit into your outlet, consult an electrician for replacement of the obsolete outlet.
10. Protect the power cord from being walked on or pinched particularly at plugs, convenience receptacles, and the point where they exit from the apparatus.
11. Only use attachments/accessories specified by the manufacturer.



Use only with a cart, stand, tripod, bracket, or table specified by the manufacturer, or sold with the apparatus. When a cart is used, use caution when moving the cart/apparatus combination to avoid injury from tip-over.

13. Unplug this apparatus during lightning storms or when unused for long periods of time.
14. Refer all servicing to qualified service personnel. Servicing is required when the apparatus has been damaged in any way, such as power-supply cord or plug is damaged, liquid has been spilled or objects have fallen into the apparatus, the apparatus has been exposed to rain or moisture, does not operate normally, or has been dropped.

FCC Warnings

NOTE: This equipment has been tested and found to comply with the limits for a Class B digital device, pursuant to Part 15 of the FCC Rules. These limits are designed to provide reasonable protection against harmful interference in a residential installation. This equipment generates, uses, and can radiate radio frequency energy and, if not installed and used in accordance with the instructions, may cause harmful interference to radio communications. However, there is no guarantee that interference will not occur in a particular installation. If this equipment does cause harmful interference to radio or television reception, which can be determined by turning the equipment off and on, the user is encouraged to try to correct the interference by one or more of the following measures:

- Reorient or relocate the receiving antenna.
- Increase the separation between the equipment and receiver.
- Connect the equipment into an outlet on a circuit different from that to which the receiver is connected.
- Consult the dealer or an experienced radio/TV technician for help.

Additional Warnings

- The apparatus shall not be exposed to dripping or splashing and that no objects filled with liquids, such as vases, shall be placed on apparatus.

L'appareil ne doit pas être exposé aux écoulements ou aux éclaboussures et aucun objet ne contenant de liquide, tel qu'un vase, ne doit être placé sur l'objet.

- Main plug is used as disconnect device and it should remain readily operable during intended use. In order to disconnect the apparatus from the mains completely, the mains plug should be disconnected from the mains socket outlet completely.

La prise du secteur ne doit pas être obstruée ou doit être facilement accessible pendant son utilisation. Pour être complètement déconnecté de l'alimentation d'entrée, la prise doit être débranchée du secteur.

- Battery shall not be exposed to excessive heat such as sunshine, fire or the like.

Les piles ne doivent pas être exposées à de forte chaleur, tel qu'à la lumière du soleil, au feu ou autres choses de semblable.

- Caution marking is located at the rear or back of the apparatus. *Attention marquage est situé à l'arrière ou à l'arrière de l'appareil*

- The marking information is located at the rear or back of apparatus. *Les informations de marquage est situé à l'arrière ou à l'arrière de l'appareil.*



This symbol indicates that this product incorporates double insulation between hazardous mains voltage and user accessible parts.

This product incorporates copyright protection technology that is protected by U.S. patents and other intellectual property rights. Use of this copyright protection technology must be authorized by Rovi Corporation, and is intended for home and other limited viewing uses only unless otherwise authorized by Rovi Corporation. Reverse engineering and disassembly are prohibited.

DVD PLAYER

FEATURES

- Supports: DVD+/-R/RW, CD-R/RW, JPEG CD
- Progressive scan
- Component video output
- Coaxial digital audio output
- Composite video output
- Stereo audio output
- Remote control
- Multi-language on-screen display
- Aspect ratio: 16:9, 4:3
- NTSC
- AC power: attached AC power cable

INCLUDED

- D200B
- Remote control, requires 2 AAA batteries (not included)
- RCA audio/video cable
- Warranty card
- User's guide

TABLE OF CONTENTS

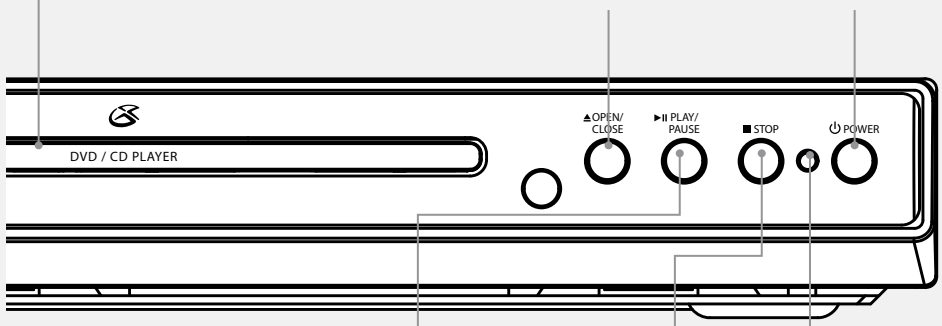
INTRODUCTION	6
SETUP	8
ADVANCED SETUP	9
PLAYING A DISC	10
DVD SETUP MENU	11
COMPANY INFORMATION	12

INTRODUCTION

DISC DRAWER

OPEN/CLOSE
Press to open or close the DISC DRAWER.

POWER
Press to power the DVD player off or on.



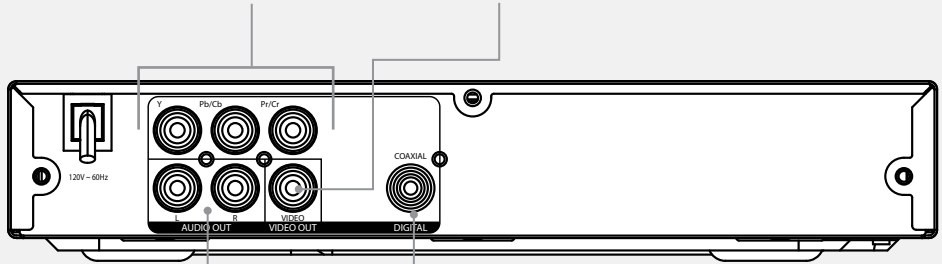
PLAY/PAUSE
Press to play or pause a loaded disc.

STOP
Press to stop a loaded disc during play.

POWER INDICATOR

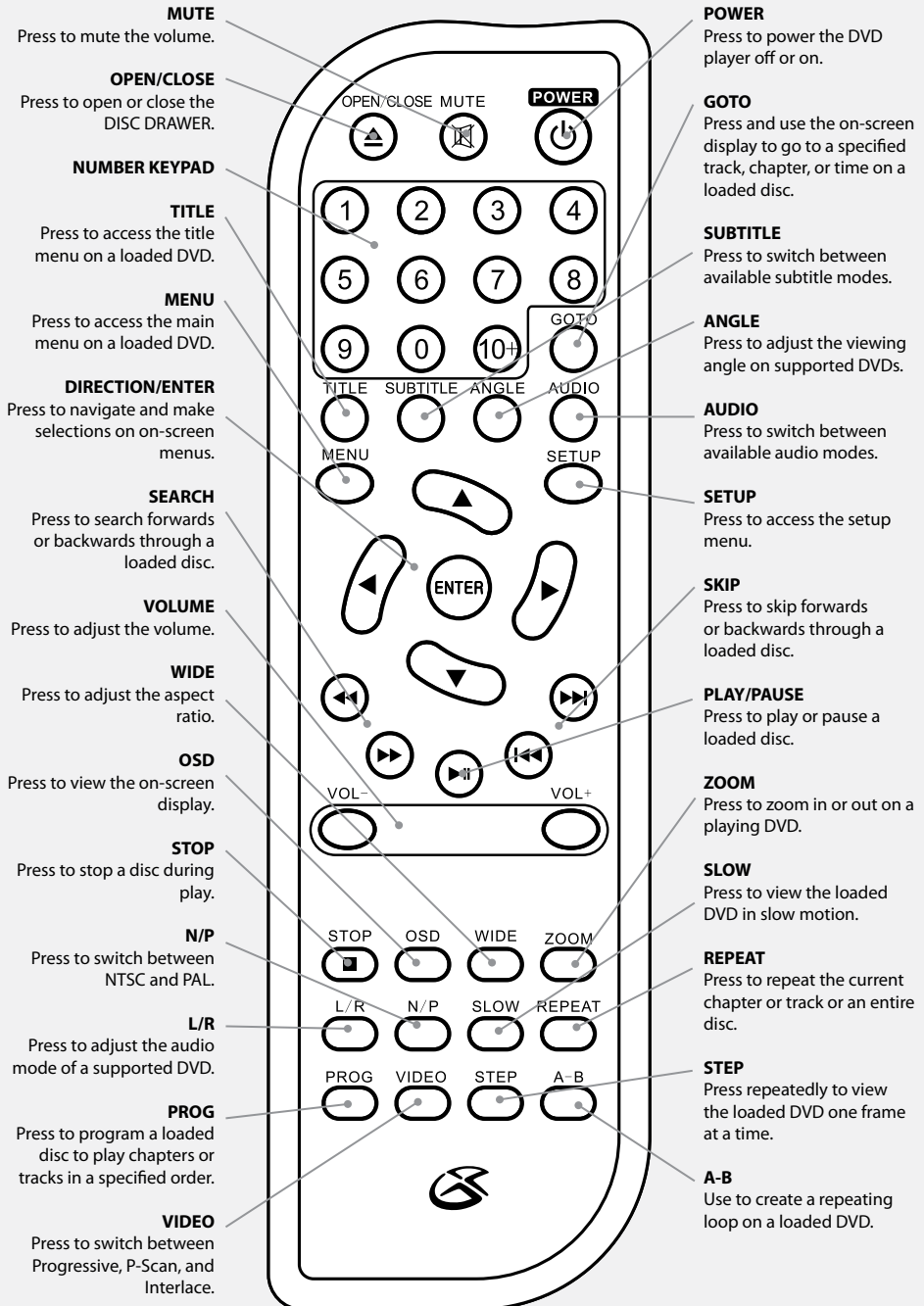
COMPONENT VIDEO OUTPUT

COMPOSITE VIDEO OUTPUT



STEREO AUDIO OUTPUTS

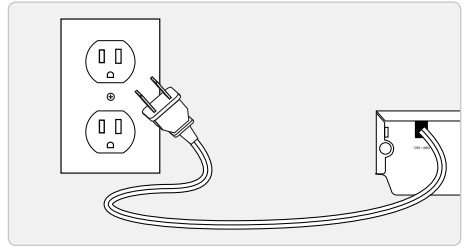
COAXIAL DIGITAL AUDIO OUTPUT



SETUP

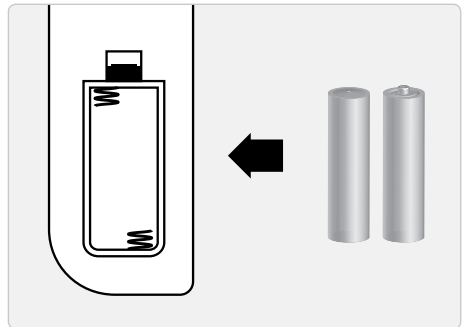
POWER

Plug the attached AC cord into a standard AC power outlet to power the home theater system.



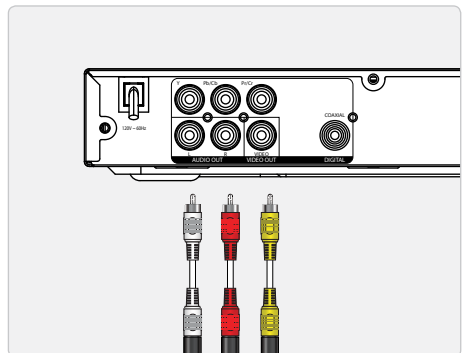
REMOTE

Requires 2 AAA size batteries (not included)



COMPOSITE VIDEO

- 1 Plug the included RCA audio/video cable into the **COMPOSITE VIDEO OUTPUT** (yellow) on the DVD player and the composite video input (yellow) on a television.
- 2 Plug the remaining plugs on the included RCA audio/video cable into the **RCA STEREO AUDIO OUTPUTS** (red and white) on the DVD player and the RCA stereo audio inputs (red and white) on a television.
- 3 Adjust the television's input setting to correspond to the inputs used when connecting the DVD player.

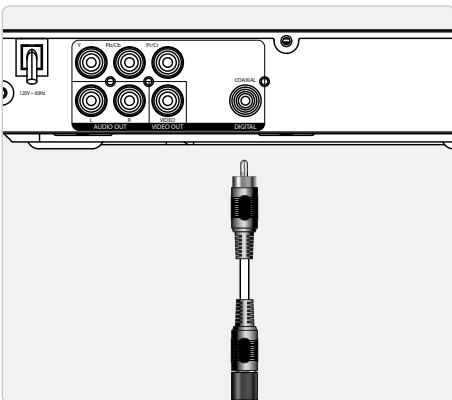
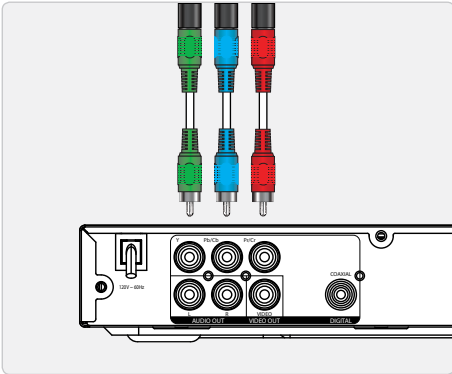


STEREO AUDIO INPUTS COMPOSITE VIDEO INPUT

TELEVISION

TELEVISION

COMPONENT VIDEO INPUT



DIGITAL AUDIO INPUT

STEREO SYSTEM

COMPONENT VIDEO

Requires a component video cable (not included).

- 1 Plug a component video cable into the **COMPONENT VIDEO OUTPUTS** (green, blue, red) on the DVD player and the component video input (green, blue, red) on a television.
- 2 Plug the included RCA audio/video cable into the **RCA STEREO AUDIO OUTPUTS** (red and white) on the DVD player and the RCA stereo audio inputs (red and white) on a television.
- 3 Adjust the television's input setting to correspond to the inputs used when connecting the DVD player.

DIGITAL AUDIO

Requires a coaxial digital audio cable (not included).

- 1 Plug a coaxial digital audio cable into the **COAXIAL DIGITAL AUDIO OUTPUT** on the DVD player and the coaxial digital audio input on a television or stereo system.
- 2 Adjust the television or stereo system's input setting to correspond to the input used when connecting the DVD player.

PLAYING A DISC

PLAYING THE DVD OR CD

- 1 Connect the DVD player to a television and press the **POWER** button to turn the DVD player on.
- 2 Press the **OPEN/CLOSE** button to open the **DISC DRAWER**.
- 3 Load a disc into the **DISC DRAWER**, label side facing up, and press the **OPEN/CLOSE** button to close the **DISC DRAWER**.
- 4 The loaded disc will begin playing automatically. If it does not, press the **PLAY/PAUSE** button.

PROGRAMMING A DVD OR CD

- 1 Follow the instructions for "Playing a DVD or CD".
- 2 Press the **PROG** button on the remote.
- 3 Press the **DIRECTION** buttons to highlight the blanks under title, chapter, or track.
- 4 Use the **NUMBER KEYPAD** on the remote to enter in the title, chapter, or track number you wish to program.
- 5 Highlight and press the on-screen **PLAY** button using the **ENTER** button.
- 6 To cancel the program, highlight the on-screen **CLEAR PROGRAM** button and press the **ENTER** button on the remote.

PLAYING A JPEG DISC

- 1 Load a JPEG disc into the **DISC DRAWER**.
- 2 A slide show of JPEG photos from the CD will begin playing automatically.
- 3 Press the **STOP** button to access a file view of the loaded JPEG disc.
- 4 Use the **DIRECTION/ENTER** buttons on the remote to select and view photos.

ACCESSING THE SETUP MENU

- 1 Press the **SETUP** button on the remote to access the DVD setup menu.

SETUP MENU

LANGUAGE

- OSD language
- Subtitle
- Audio
- DVD menu

VIDEO

- Aspect Ratio
- TV System
- Video Out
- Smart Picture

AUDIO

- Digital Output
- Night Mode
- Down Sampling

MISCELLANEOUS

- Use Default Settings
- Screen Saver

Company Information

Green Initiative



Environmental Commitment to ‘Protect for Today and Sustain for Tomorrow’

2009 marked the official launch of DPI, Inc.’s corporate campaign for a greener and cleaner world. DPI is building upon environmental initiatives introduced at all of their facilities to help formulate and sustain significant and important conservation efforts within its manufacturing and marketing communities. In addition to targeting and selecting energy efficient product features, and structuring ‘green office’ procedures, other initial program efforts include:

- Reduction of all packaging sizes
- Recyclable plastics for clamshell packages, with a plan to eventually replace plastic with recyclable paper
- Recycled fiber board in place of the polyfoam in packing boxes
- Recycled plastics in place of the virgin material in product construction

International Support

To download this User’s Guide in English, Spanish, or French, visit the support section at www.gpx.com.

Para transferir esta guía de usuario en inglés, español, o francés, visite la sección de la ayuda en www.gpx.com.

Pour télécharger ce guide de l’utilisateur en anglais, espagnol, ou français, visitez la section de soutien chez www.gpx.com.

Contact Information

Phone: 1-888-999-4215

Email: prodinfo@gpx.com

Parts Email: partsinfo@dpi-global.com

Website: www.gpx.com

Free Manuals Download Website

<http://myh66.com>

<http://usermanuals.us>

<http://www.somanuals.com>

<http://www.4manuals.cc>

<http://www.manual-lib.com>

<http://www.404manual.com>

<http://www.luxmanual.com>

<http://aubethermostatmanual.com>

Golf course search by state

<http://golfingnear.com>

Email search by domain

<http://emailbydomain.com>

Auto manuals search

<http://auto.somanuals.com>

TV manuals search

<http://tv.somanuals.com>