



USER'S GUIDE
V:1413-1020-11



D112B

DVD Player

For the most up-to-date version of this User's Guide, go to www.gpx.com

Warnings and Precautions

- **CAUTION:** TO PREVENT ELECTRIC SHOCK, MATCH WIDE BLADE OF PLUG TO WIDE SLOT, FULLY INSERT.
- **WARNING:** To reduce the risk of fire or electric shock, do not expose this apparatus to rain or moisture.
- **AVERTISSEMENT:** Pour réduire le risque d'incendie ou de choc électrique, ne pas exposer cet appareil sous la pluie et l'humidité.
- **CAUTION:** Use of any controls or adjustments or performance of procedures other than those herein specified may result in hazardous radiation exposure.
- **WARNING:** Changes or modifications to this unit not expressly approved by the party responsible for compliance could void the user's authority to operate the equipment.
- **WARNING:** Do not place the unit on top of any soft, porous, or sensitive surfaces to avoid damaging the surface. Use a protective barrier between the unit and surface to protect the surface.
- **WARNING:** Use of this unit near fluorescent lighting may cause interference regarding use of the remote. If the unit is displaying erratic behavior move away from any fluorescent lighting, as it may be the cause.
- **CAUTION:** Danger of explosion if battery is incorrectly replaced. Replace only with the same or equivalent type.
- **PRÉCAUTION:** *Danger d'explosion si les piles sont remplacées de façon incorrect. Remplacer les piles seulement par le même type de pile ou l'équivalent.*
- **WARNING:** The battery, batteries, and battery pack shall not be exposed to excessive heat such as sunshine, fire, or the like.
- **WARNING:** Lithium batteries, like all rechargeable batteries are recyclable and should be recycled or disposed of in normal household waste. Contact your local government for disposal or recycling practices in your area. They should never be incinerated since they might explode.

WARNING: The remote control supplied with this product contains a button-cell battery that could be accidentally ingested by children. Do not leave button-cell batteries accessible to children. If swallowed, promptly see doctor and call (202) 625-3333.

- **WARNING:** Shock hazard - Do Not Open.
- **AVIS:** *RISQUE DE CHOC ÉLECTRIQUE - NE PAS OUVRI*

Mains Plug or Direct plug-in adapter is used as disconnect device and it should remain readily operable during intended use. In order to disconnect the apparatus from the mains completely, the Mains Plug or Direct plug-in adapter should be disconnected from the mains socket outlet completely.

La fiche d'alimentation ou adaptateur de courant est utilisé comme dispositif de déconnexion et doit rester accessible pendant l'utilisation. Pour mettre l'appareil hors tension, la fiche ou adaptateur de courant doit être débranché de la prise de courant.

Do not mix old and new batteries.
Do not mix alkaline, standard (carbon-zinc), or rechargeable (ni-cad, ni-mh, etc) batteries.
*No mezcle baterías viejas y nuevas.
No mezcle baterías alcalinas, estándar (carbono-zinc) o recargables (ni-cad, ni-mh, etc.).*



WARNING: TO REDUCE THE RISK OF ELECTRIC SHOCK, DO NOT REMOVE COVER (OR BACK). NO USER-SERVICEABLE PARTS INSIDE. REFER SERVICING TO QUALIFIED SERVICE PERSONNEL.



The lightning flash with arrowhead symbol, within an equilateral triangle, is intended to alert the user to the presence of uninsulated "dangerous voltage" within the product's enclosure that may be of sufficient magnitude to constitute a risk of electric shock to persons.




The exclamation point within an equilateral triangle is intended to alert the user to the presence of important operating and maintenance (servicing) instructions in the literature accompanying the appliance.



This product utilizes a Class 1 laser to read Compact Discs. This Laser Compact Disc Player is equipped with safety switches to avoid exposure when the CD door is open and the safety interlocks are defeated. Invisible laser radiation is present when the CD Player's lid is open and the system's interlock has failed or been defeated. It is very important that you avoid direct exposure to the laser beam at all times. Please do not attempt to defeat or bypass the safety switches.

Important Safety Instructions

1. Read these Instructions.
 2. Keep these Instructions.
 3. Heed all Warnings.
 4. Follow all instructions.
 5. Do not use this apparatus near water.
 6. Clean only with a dry cloth.
 7. Do not block any ventilation openings. Install in accordance with the manufacturer's instructions.
 8. Do not install near any heat sources such as radiators, heat registers, stoves, or other apparatus (including amplifiers) that produce heat.
 9. Do not defeat the safety purpose of the polarized or grounding - type plug. A polarized plug has two blades with one wider than the other. A grounding type plug has two blades and a third grounding prong. The wide blade or the third prong are provided for your safety. When the provided plug does not fit into your outlet, consult an electrician for replacement of the obsolete outlet.
 10. Protect the power cord from being walked on or pinched particularly at plugs, convenience receptacles, and the point where they exit from the apparatus.
 11. Only use attachments/accessories specified by the manufacturer.
-
-  Use only with a cart, stand, tripod, bracket, or table specified by the manufacturer, or sold with the apparatus. When a cart is used, use caution when moving the cart/apparatus combination to avoid injury from tip-over.
-
13. Unplug this apparatus during lightning storms or when unused for long periods of time.
 14. Refer all servicing to qualified service personnel. Servicing is required when the apparatus has been damaged in any way, such as power-supply cord or plug is damaged, liquid has been spilled or objects have fallen into the apparatus, the apparatus has been exposed to rain or moisture, does not operate normally, or has been dropped.

Special note: When placing your unit on a lacquered or natural finish, protect your furniture with a cloth or other protective material.

FCC Warnings

WARNING: Changes or modifications to this unit not expressly approved by the party responsible for compliance could void the user's authority to operate the equipment.

NOTE: This equipment has been tested and found to comply with the limits for a Class B digital device, pursuant to Part 15 of the FCC Rules. These limits are designed to provide reasonable protection against harmful interference in a residential installation. This equipment generates, uses, and can radiate radio frequency energy and, if not installed and used in accordance with the instructions, may cause harmful interference to radio communications. However, there is no guarantee that interference will not occur in a particular installation. If this equipment does cause harmful interference to radio or television reception, which can be determined by turning the equipment off and on, the user is encouraged to try to correct the interference by one or more of the following measures:

- Reorient or relocate the receiving antenna.
- Increase the separation between the equipment and receiver.
- Connect the equipment into an outlet on a circuit different from that to which the receiver is connected.
- Consult the dealer or an experienced radio/TV technician for help.

Additional Warnings

- The apparatus shall not be exposed to dripping or splashing and that no objects filled with liquids, such as vases, shall be placed on apparatus.
L'appareil ne doit pas être exposé aux écoulements ou aux éclaboussures et aucun objet ne contenant de liquide, tel qu'un vase, ne doit être placé sur l'objet.
- Battery shall not be exposed to excessive heat such as sunshine, fire or the like.
Les piles ne doivent pas être exposées à de forte chaleur, tel qu'à la lumière du soleil, au feu ou autres choses de semblable.
- Caution marking is located at the rear or bottom of the apparatus.
Attention marquage est situé sur le panneau arrière ou inférieur de l'unité.
- The marking information is located at the rear or bottom of apparatus.
Le marquage est situé sur le panneau arrière ou inférieur de l'unité.



This symbol indicates that this product incorporates double insulation between hazardous mains voltage and user accessible parts.

This product incorporates copyright protection technology that is protected by U.S. patents and other intellectual property rights. Use of this copyright protection technology must be authorized by Rovi Corporation, and is intended for home and other limited viewing uses only unless otherwise authorized by Rovi Corporation. Reverse engineering and disassembly are prohibited.

DVD Player

Features

- DVD player: DVD, DVD±R/RW
- CD player: CD, CD-R/RW, JPEG CD
- Aspect ratio: 16:9, 4:3LB, 4:3PS
- NTSC video system
- Progressive scan
- Multi-language on-screen display
- Drawer-load disc player
- Component video output
- Composite video output
- USB port: supports JPEG, MP3 file formats
- Coaxial digital audio output
- RCA stereo audio outputs
- Digital volume control
- Full-function remote
- AC power: built-in AC power cable

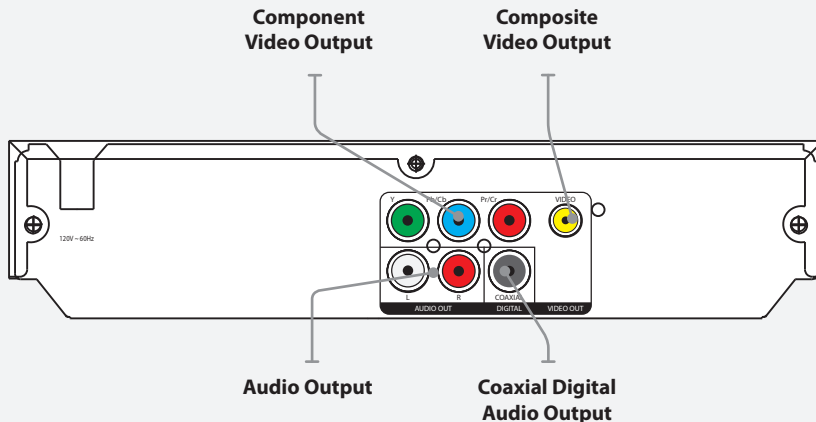
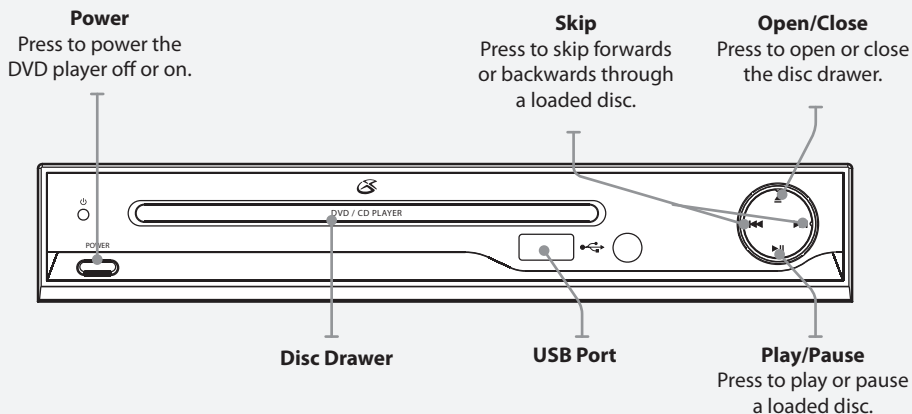
Included

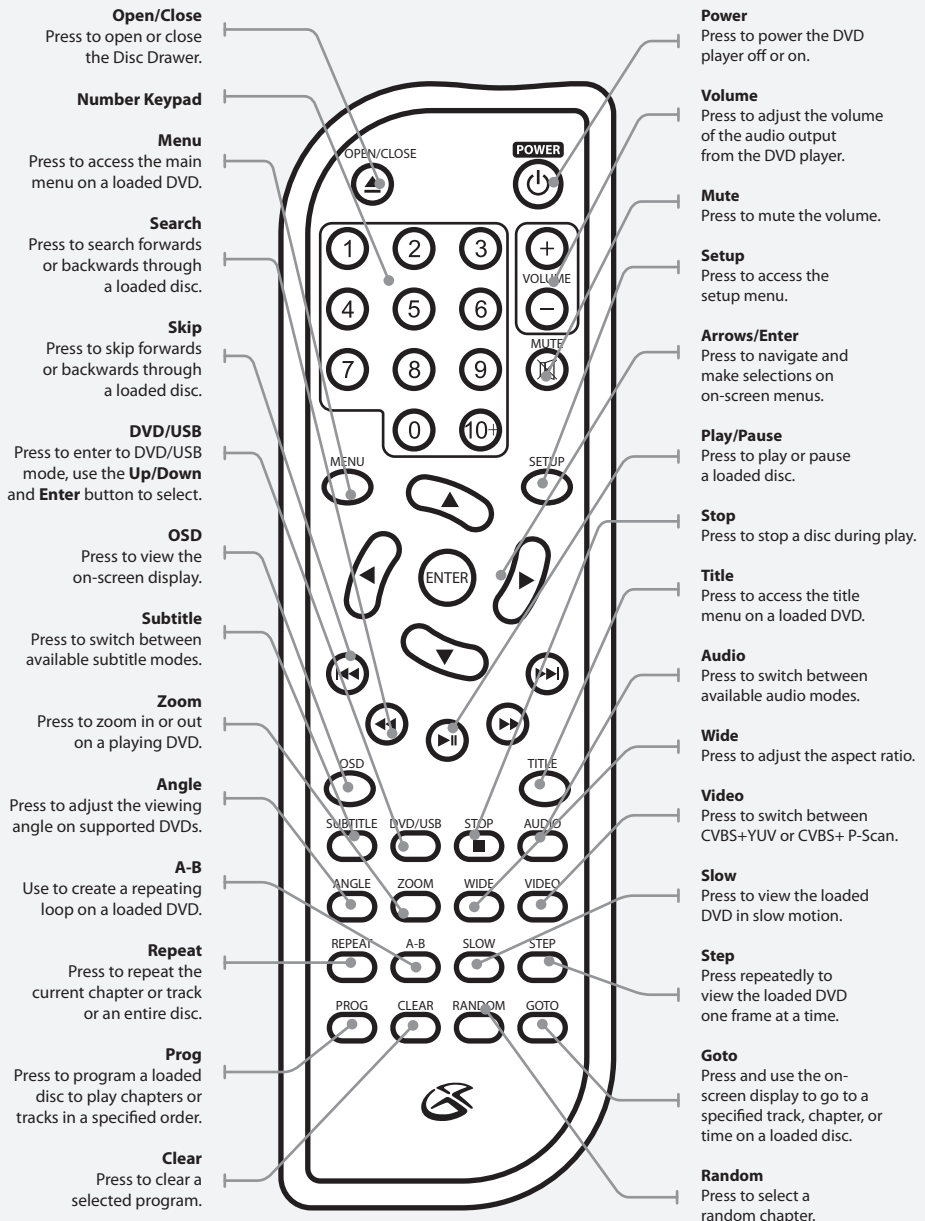
- Remote control: requires 2 AAA batteries (not included)
- A/V Cable

Table of Contents

DVD Player	4
Features	
Included	
Table of Contents	5
Introduction	6
Setup and Digital Audio Output	8
Power	
Remote	
Digital Audio	
Composite and Component Video Outputs	9
Composite Video	
Component Video	
DVD and CD	10
Loading a Disc	
Playing a Disc	
Programming a Disc	
USB and Setup Menu	11
USB Drive	
Accessing the Setup Menu	
Setup Menu	
Company Information	12
International Support	
Contact Information	
Green Initiative	

Introduction

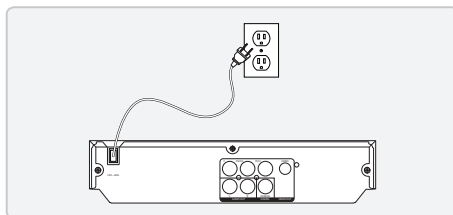




Setup and Digital Audio Output

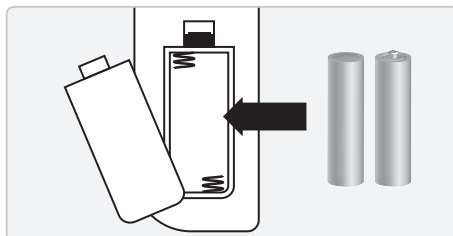
Power

Plug the attached AC cord into a standard AC power outlet to power the DVD player.



Remote

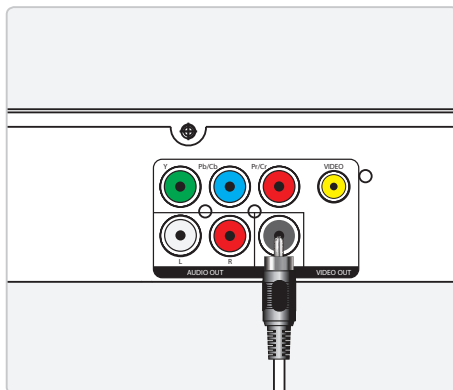
Requires 2 AAA batteries (not included)



Digital Audio

Requires a coaxial digital audio cable (not included).

1. Plug a coaxial digital audio cable into the **Coaxial Digital Audio Output** on the DVD player and the coaxial digital audio input on a television or stereo system.
2. Adjust the television or stereo system's input setting to correspond to the input used when connecting the DVD player.

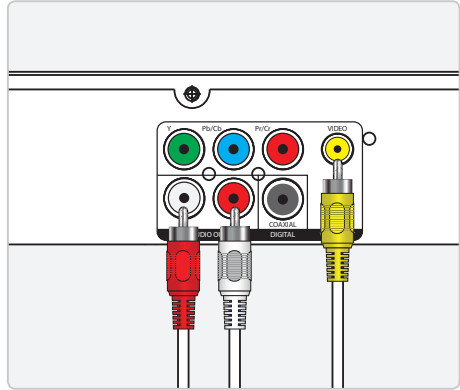


Composite and Component Video Outputs

Composite Video

Requires a composite video cable (included)

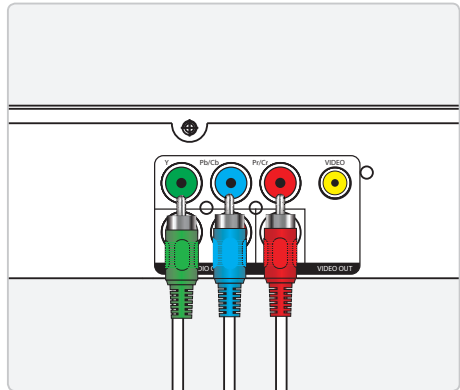
1. Plug the included RCA audio/video cable into the **Composite Video Output** (yellow) on the DVD player and the composite video input (yellow) on a television.
2. Plug the remaining plugs on the included RCA audio/video cable into the **RCA Stereo Audio Outputs** (red and white) on the DVD player and the RCA stereo audio inputs (red and white) on a television.
3. Adjust the television's input setting to correspond to the inputs used when connecting the DVD player.



Component Video

Requires a component video cable (not included).

1. Plug a component video cable into the **Component Video Outputs** (green, blue, red) on the DVD player and the component video input (green, blue, red) on a television.
2. Plug the included RCA audio/video cable into the **RCA Stereo Audio Outputs** (red and white) on the DVD player and the RCA stereo audio inputs (red and white) on a television.
3. Adjust the television's input setting to correspond to the inputs used when connecting the DVD player.



DVD and CD

Loading a Disc

1. Connect the DVD player to a television and press the **Power** button to turn the DVD player on.
2. Press the **Open/Close** button to open the **Disc Drawer**.
3. Load a disc into the **Disc Drawer**, label side facing up, and press the **Open/Close** button to close the **Disc Drawer**.

Playing a Disc

1. Follow the instructions for [Loading a Disc](#).
The loaded disc will begin playing automatically.
2. If the disc doesn't begin playing automatically, press the **Play/Pause** button.

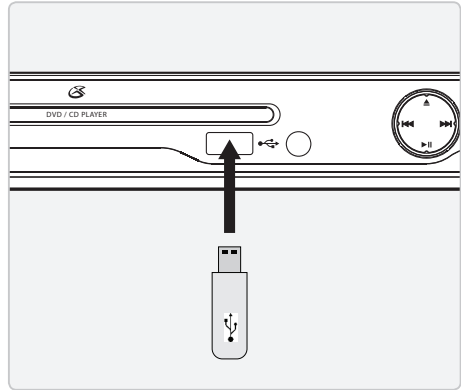
Programming a Disc

1. Follow the instructions for [Loading a Disc](#) and [Playing a Disc](#).
2. Press the **Prog** button on the remote.
3. Press the **Arrow** buttons to highlight the blanks under title, chapter, or track.
4. Use the **Number Keypad** on the remote to enter in the title, chapter, or track number you wish to program.
5. Highlight and press the on-screen **Play** button using the **Enter** button.
6. To cancel the program, press the **Clear** button on the remote.

USB and Setup Menu

USB Drive

1. Load a USB thumb drive into the **USB Port**.
2. Press the **DVD/USB** button to enter DVD/USB Mode.
3. Use the **Up/Down** and **Enter** buttons to select content from the connected USB thumb drive.



Accessing the Setup Menu

1. Press the **Setup** button on the remote to access the setup menu.

Setup Menu

Language Setp

OSD
Menu
Audio
Subtitle

Sceen Setup

TV Type
Screen Saver
TV System
Video Output

Audio Setup

Digital Output
Downmix

Custom Setup

Style
Angle Mark
Default

Exit Setup Mode

Company Information

International Support

To download this User's Guide in English, Spanish, or French, or to get answers to frequently asked questions, visit the support section at www.gpx.com.

Para descargar este Manual del Usuario en inglés, español y francés, o para obtener respuestas a preguntas frecuentes, visite la sección de apoyo en www.gpx.com.

Pour télécharger ce guide de l'utilisateur en anglais, espagnol ou français, ou pour obtenir des réponses à des questions fréquemment posées, consultez la rubrique d'assistance sur www.gpx.com.

Contact Information

Phone: 1-888-999-4215

Email: prodinfo@gpx.com

Parts Email: partsinfo@dpi-global.com

Website: www.gpx.com

Green Initiative



Environmental Commitment to 'Protect for Today and Sustain for Tomorrow'

2009 marked the official launch of DPI, Inc.'s corporate campaign for a greener and cleaner world. DPI is building upon environmental initiatives introduced at all of their facilities to help formulate and sustain significant and important conservation efforts within its manufacturing and marketing communities. In addition to targeting and selecting energy efficient product features, and structuring 'green office' procedures, other initial program efforts include:

- Reduction of all packaging sizes
- Recyclable plastics for clamshell packages, with a plan to eventually replace plastic with recyclable paper
- Recycled fiber board in place of the polyfoam in packing boxes
- Recycled plastics in place of the virgin material in product construction

Free Manuals Download Website

<http://myh66.com>

<http://usermanuals.us>

<http://www.somanuals.com>

<http://www.4manuals.cc>

<http://www.manual-lib.com>

<http://www.404manual.com>

<http://www.luxmanual.com>

<http://aubethermostatmanual.com>

Golf course search by state

<http://golfingnear.com>

Email search by domain

<http://emailbydomain.com>

Auto manuals search

<http://auto.somanuals.com>

TV manuals search

<http://tv.somanuals.com>