

## FCC WARNINGS

NOTE: This equipment has been tested and found to comply with the limits for a Class B digital device, pursuant to Part 15 of the FCC Rules. These limits are designed to provide reasonable protection against harmful interference in a residential installation. This equipment generates, uses, and can radiate radio frequency energy and, if not installed and used in accordance with the instructions, may cause harmful interference to radio communications. However, there is no guarantee that interference will not occur in a particular installation. If this equipment does cause harmful interference to radio or television reception, which can be determined by turning the equipment off and on, the user is encouraged to try to correct the interference by one or more of the following measures:

Reorient or relocate the receiving antenna.

Increase the separation between the equipment and receiver.

Connect the equipment into an outlet on a circuit different from that to which the receiver is connected.

Consult the dealer or an experienced radio/TV technician for help.

## FEATURES

- Digital Photo Frame Keychain displays photos and pictures
- JPEG Picture File Format
- 1MB Memory Built In, can store up to 60 Pictures
- Mini USB 1.1 Jack
- Supports USB Sync and Charging when connecting to PC
- Supports Multiple Picture Download through PC through Conversion Program
- 1.5" Color Display
- 128 x 128 pixel
- 65K Color
- Auto Off times
- Auto Power Off Interval: None, 3, 5, 10, 15, 30, 45, 60 min
- Digital Clock & Calendar
- DC-Powered: Built-In Rechargeable Battery, up to 4 Hours Display Time
- Recharge from PC through Mini USB 1.1 Jack
- Supports USB Sync and Charging at the same type when plugged in to PC

## INCLUDED

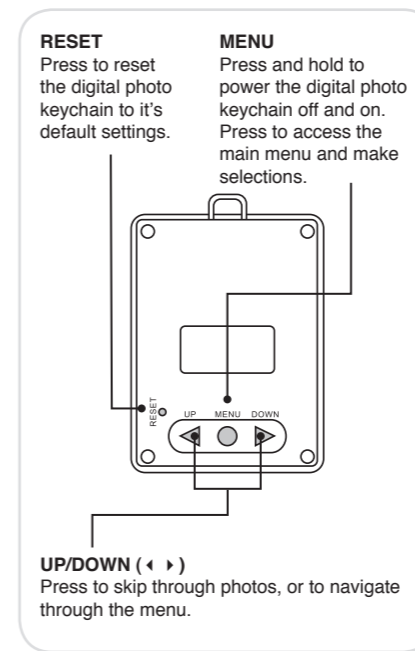
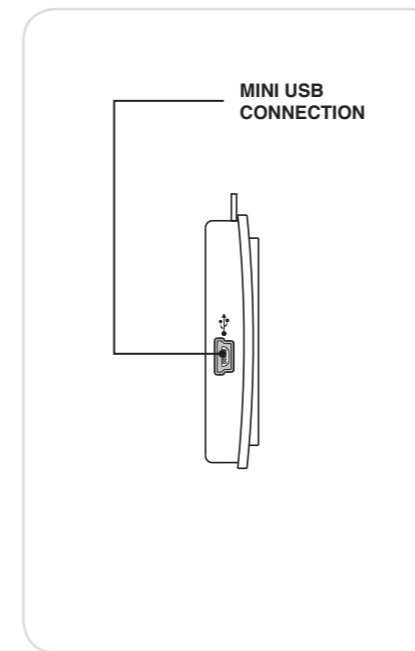
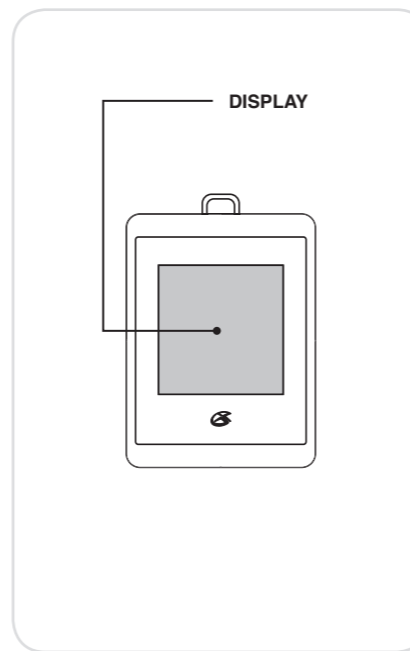
- Keychain
- USB Cable
- File Conversion / Compression Software (stored on the Digital Photo Keychain's internal memory)

## FILE COMPATIBILITY

- JPEG

## COMPUTER SYSTEM REQUIREMENTS

- Windows XP (PC)
- Windows Vista (PC)
- Windows 7 (PC)
- Linux (PC)
- Mac OSX (Mac)



## MAIN MENU

### USB Connect

Use when connecting the Digital Photo Keychain to a computer.

### Date/Clock Set

Use to view a digital or analog clock, the calendar, or to set the clock or calendar.

### Slide Show

Use to turn the slide show feature off or on.

### Auto Off

Use to set a number of minutes before the Digital Photo Keychain automatically shuts off.

### Backlight

Use to adjust the brightness of the backlight.

### Exit

## CLOCK & CALENDAR

To set the clock and calendar, select Date/Clock Set from the main menu, then select Set Clock.

Press the **UP/DOWN** (◀ ▶) button to adjust the year, month, day, hour, minute, and second. Press the **MENU** button to save the adjusted year, month, day, hour, minute, and second.

### International Support

To download this User's Guide in English, Spanish, or French, visit the support section at [www.gpx.com](http://www.gpx.com).

Para transferir esta guía de usuario en inglés, español, o francés, visite la sección de la ayuda en [www.gpx.com](http://www.gpx.com).

Pour télécharger ce guide de l'utilisateur en anglais, espagnol, ou français, visitez la section de soutien chez [www.gpx.com](http://www.gpx.com).

### Contact Information

Address: 2116 Carr Street, St. Louis MO, 63106

Phone: 1-314-621-2881

Fax: 1-314-588-1805

Email: [prodinfo@gpx.com](mailto:prodinfo@gpx.com)

Parts Email: [partsinfo@dpi-global.com](mailto:partsinfo@dpi-global.com)

Website: [www.gpx.com](http://www.gpx.com)

### CONNECTING TO A COMPUTER

Once connected to a computer, the Digital Photo Keychain will automatically begin charging.

- 1 Connect the Digital Photo Keychain to a computer (Windows, Apple, or Linux) using the included USB cable. Plug the mini-USB plug into the **MINI-USB CONNECTION** on the Digital Photo Keychain. Plug the larger USB plug from the cable into a computer.
- 2 Press the **MENU** button to access the main menu.
- 3 Highlight USB CONNECT and press the **MENU** button.
- 4 Highlight YES and press the **MENU** button.

### USING THE SOFTWARE (PC)

Follow the instructions for Connecting the Digital Photo Keychain to a computer.

- 1 Once connected, the Digital Photo Keychain will show up on the connected computer as if it were a connected USB thumb drive, external hard drive, or memory card under "My Computer".
- 2 Navigate to the connected keychain's drive (DPFMate) on the computer and double click on it.

This will run the included software on your computer.

### LOADING PHOTOS (PC)

Follow the instructions for Using the Software (PC).

- 1 Navigate to the connected keychain's drive (DPFMate) on the computer and double click on it.
- 2 In the DPFmate software file browser, navigate to the desired JPEG to add to the Digital Photo Keychain, and double click on it.
- 3 Drag the photo to adjust the cropping as needed.
- 4 Click the **ADD** button.
- 5 Click the **DOWNLOAD** button to download the selected file to the Digital Photo Keychain.

### SOFTWARE INSTALLATION (MAC)

Follow the instructions for Connecting the Digital Photo Keychain to a computer.

- 1 Once connected, the Digital Photo Keychain will show up on the connected computer as if it were a connected USB thumb drive, external hard drive, or memory card on the desktop.
- 2 Navigate to the connected keychain's drive on the computer.
- 3 Open the drive on the computer and drag the MacDPFmate.zip onto your desktop.
- 4 Double click on the MacDPFmate.zip file.
- 5 Drag the resulting MacDPFmate.app file to your "Applications" folder.

### LOADING PHOTOS (MAC)

Follow the instructions for Software Installation (Mac).

- 1 Double click on the MacDPFmate.app file to open the software.
- 2 In the MacDPFmate software file browser, navigate to the desired JPEG to add to the Digital Photo Keychain, and double click on it.
- 3 Drag the photo to adjust the cropping as needed.
- 4 Click the **ADD** button.
- 5 Click the **DOWNLOAD** button to download the selected file to the Digital Photo Keychain.

### PF150 Digital Photo Keychain



## Free Manuals Download Website

<http://myh66.com>

<http://usermanuals.us>

<http://www.somanuals.com>

<http://www.4manuals.cc>

<http://www.manual-lib.com>

<http://www.404manual.com>

<http://www.luxmanual.com>

<http://aubethermostatmanual.com>

Golf course search by state

<http://golfingnear.com>

Email search by domain

<http://emailbydomain.com>

Auto manuals search

<http://auto.somanuals.com>

TV manuals search

<http://tv.somanuals.com>