



KCL8807DT

INSTRUCTION MANUAL

Contents

Warnings & Precautions	2
Important Safety Instructions	3
What's in the Box & Features	4
Mounting the Unit & Powering the Unit	5
Setting the Clock	6
Connecting to a TV Signal	7
AM / FM Radio & Station Presets	8
Setting the Timer	9
Audio & Video Inputs	10
Special Features	11
Controls & Definitions	12-18
Contact Information	20

Warnings and Precautions

TO PREVENT FIRE OR SHOCK HAZARDS, DO NOT EXPOSE THIS UNIT TO RAIN OR MOISTURE.



This symbol, located on back or bottom of the unit, is intended to alert the user to the presence of uninsulated “dangerous voltage” within the product’s enclosure that may be of sufficient magnitude to constitute a risk of electric shock to persons.



This symbol, located on back or bottom of the unit, is intended to alert the user to the presence of important operating and maintenance (servicing) instructions in the literature accompanying the appliance.

CAUTION: TO PREVENT ELECTRIC SHOCK, MATCH WIDE BLADE OF PLUG TO WIDE SLOT, FULLY INSERT.

To reduce the risk of electric shock, do not remove cover (or back). There are no user-serviceable parts inside. Please refer any servicing to qualified service personnel.

WARNING: Changes or modifications to this unit not expressly approved by the party responsible for compliance could void the user’s authority to operate the equipment.

WARNING: Danger of explosion if the remote control’s batteries are incorrectly installed. Replace only with the same or equivalent battery.

WARNING: The remote control’s button cell battery contains mercury. Do not put in the trash, instead recycle or dispose of as hazardous waste

WARNING: Use of this unit near fluorescent lighting may cause interference regarding use of the remote. If the unit is displaying erratic behavior move away from any fluorescent lighting, as it may be the cause.

NOTE: This equipment has been tested and found to comply with the limits for a Class B digital device, pursuant to Part 15 of the FCC Rules. These limits are designed to provide reasonable protection against harmful interference in a residential installation. This equipment generates, uses, and can radiate radio frequency energy and, if not installed and used in accordance with the instructions, may cause harmful interference to radio communications. However, there is no guarantee that interference will not occur in a particular installation. If this equipment does cause harmful interference to radio or television reception, which can be determined by turning the equipment off and on, the user is encouraged to try to correct the interference by one or more of the following measures:

- Reorient or relocate the receiving antenna.
- Increase the separation between the equipment and receiver.
- Connect the equipment into an outlet on a circuit different from that to which the receiver is connected.
- Consult the dealer or an experienced radio/TV technician for help.

Important Safety Instructions

- 1. Read these instructions.** All the safety and operating instruction should be read before the product is operated.
- 2. Keep these instructions.** The safety and operating instruction should be retained for future reference.
- 3. Heed all warnings.** All warning on the product and in the operating instructions should be adhered to.
- 4. Follow all instructions.** All operating and use instructions should be followed.
- 5. Water and Moisture:** Do not use this product near water - for example, near a bath tub, wash bowl, kitchen sink, or laundry tub; in a wet basement, or near a swimming pool, and the like. The apparatus shall not be exposed to dripping or splashing and that no objects filled with liquids, such as vases, shall be placed on apparatus.
- 6. Cleaning:** Clean only with a dry cloth. Unplug this product from the wall outlet before cleaning. Do not use liquid cleaners or aerosol cleaners.
- 7. Ventilation:** Slots and openings in the cabinet are provided for ventilation and to ensure reliable operation of the product and to protect it from overheating, and these openings must not be blocked or covered. The openings should never be blocked by placing the product on a bed, sofa, rug, or other similar surface. This product should not be placed in a built-in installation such as a bookcase or rack unless proper ventilation is provided or the manufacturer's instructions have been adhered to.
- 8. Heat:** Do not install near any heat sources such as radiators, heat registers, stoves, or other apparatus (including amplifiers) that produce heat.
- 9. Grounding or Polarization:** Do not defeat the safety purpose of the polarized or grounding-type plug. A polarized plug has two blades with one wider than the other. A grounding type plug has two blades and a third grounding prong. The wide blade or the third prong are provided for your safety. If the provided plug does not fit into your outlet, consult an electrician for replacement of the obsolete outlet.
- 10. Power-Cord Protection:** Protect the power cord from being walked on or pinched particularly at plugs, convenience receptacles, and the point where they exit from the apparatus.
- 11. Accessories:** Only use attachments/accessories specified by the manufacturer. Do not place this product on an unstable cart, stand tripod, bracket, or table. The product may fall, causing serious injury to a child or adult, and serious damage to the product.

Use only with a cart, stand, tripod, bracket, or table recommended by the manufacturer, or sold with the product. Any mounting of the product should follow the manufacturer's instructions, and should use a mounting accessory recommended by the manufacturer.

12. A product and cart combination should be moved with care. Use only with the cart, stand, tripod, bracket, or table specified by the manufacturer, or sold with the apparatus. When a cart is used, use caution when moving the cart/apparatus combination to avoid injury from tip-over.



S3125A

**PORTABLE
CART
WARNING**

13. Lightning: Unplug this apparatus and disconnect the antenna or cable system during lightning storms or when unused for long periods of time. This will prevent damage to the product due to lightning and power-line surges.

14. Servicing: Do not attempt to service this product yourself as opening or removing covers may expose you to dangerous voltage or other hazards. Refer all servicing to qualified service personnel.

15. Power Sources: Only connect to the type of house-hold power supply as indicated in the operating instructions and rating label. If you are not sure of the type of power supply to your home, consult your product dealer or local power company. For products intended to operate from battery power, or other sources, refer to the operating instruction.

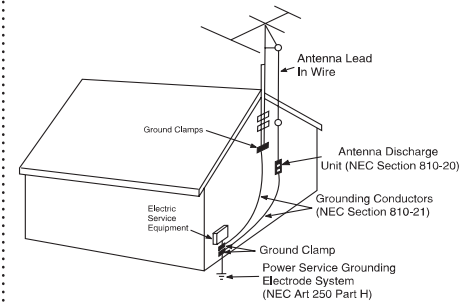
16. Overloading: Do not overload wall outlets or extension cords as this can result in a risk of fire or electric shock.

17. Object and Liquid Entry: Never push objects of any kind or spill liquid into this product through openings as this could result in a risk of fire or electric shock.

18. Replacement Parts and Safety Check: When replacement parts are required, be sure the service technician has used replacement parts specified by the manufacturer. Ask the service technician to perform safety checks to ensure proper operation to avoid possible fire, electric shock, or other hazards.

19. Outdoor Antenna Grounding: If an outside antenna or cable system is connected to the product, be sure the antenna or cable system is grounded so as to provide some protection against voltage surges and built-up static charges. Article 810 of the National

Electrical Code, ANSI/NFPA 70, provides information with regard to proper grounding of the mast and supporting structure, grounding of the lead-in wire to an antenna connection to grounding electrodes, and requirements for the grounding electrode.



20. Wall or Ceiling Mounting: The product should be mounted to a wall or ceiling only as recommended by the manufacturer.

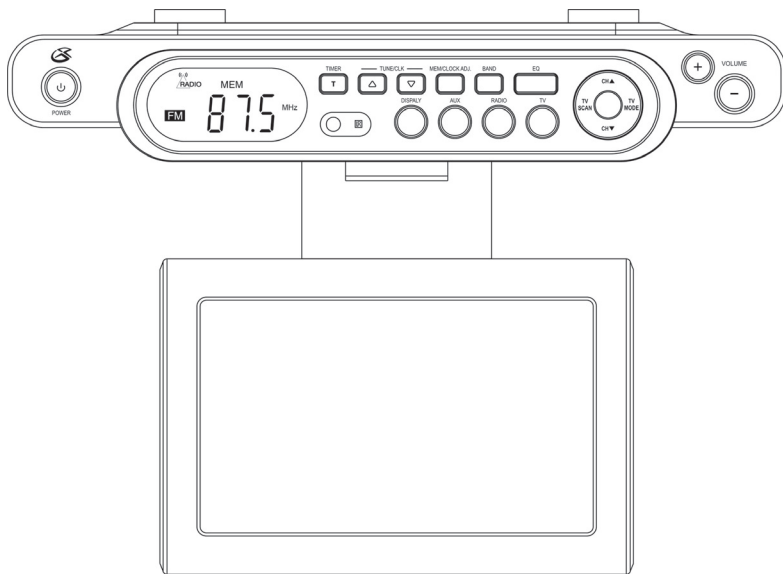
21. Where the AC plug or an appliance coupler is used as the disconnect device, the disconnect device shall remain readily operable.

22. Protective Attachment Plug: The product is equipped with an attachment plug having overload protection. This is a safety feature. See Instruction Manual for replacement or resetting of protective device. If replacement of the plug is required, be sure the service technician has used a replacement plug specified by the manufacturer that has the same overload protection as the original plug.

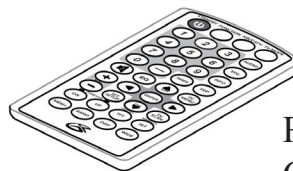
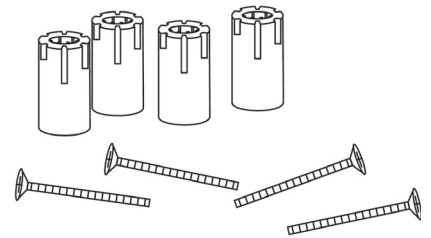
23. Power Lines: An outside antenna system should not be located in the vicinity of overhead power lines or other electric light or power circuits, or where it can fall into such power lines or circuits. When installing an outside antenna system, extreme care should be taken to keep from touching such power lines or circuits as contact with them might be fatal.

What's in the Box

UnderCabinet LCD TV



4-Spacers and 4 Screws



Remote Control

-
- UnderCabinet LCD TV
 - Remote Control
 - Mounting Template
 - 4 - Screws
 - 4 - Spacers
 - Documentation

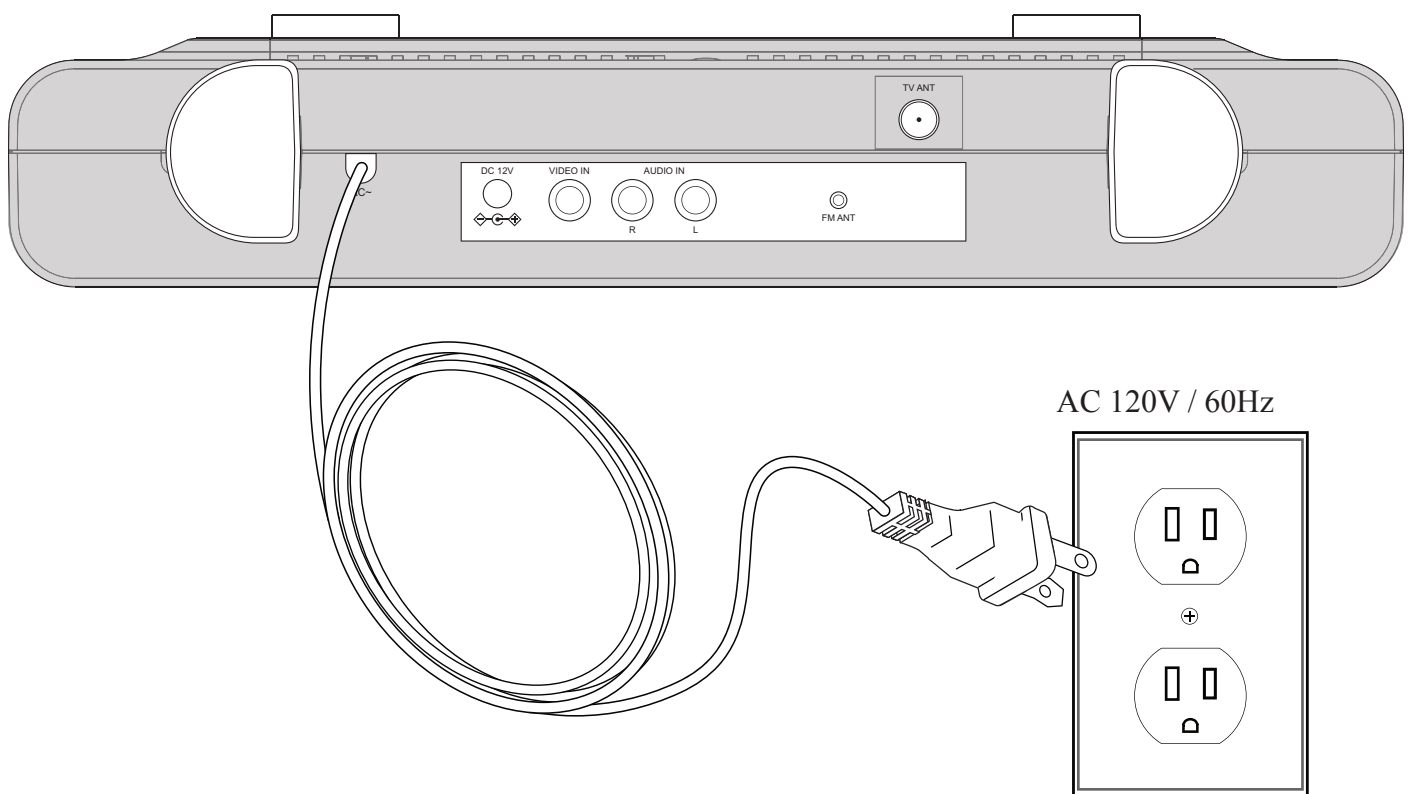
Features

- Adjustable LCD TV Screen
- 181-Channel Cable-Ready Tuner
- Digital TV Tuner built in
- Digital Tune AM/FM Stereo Radio with Station Presets
- LCD Display with Blue Backlight
- Digital Clock with Timer
- Timer sounds to Alarm or Radio
- LCD Screen swivels for variable viewing angles
- 2 sets of Audio/Video Input Jacks
- Dual Front-Firing Speakers Built-In
- FM Wire Antenna
- AC Powered, Built-In AC Line Cord
- Battery Back-Up for clock only.
- Uses 2-”AAA” Batteries for back-up, (not included)

Mounting the Unit

To mount the unit under a cabinet, follow the directions on the included *Mounting Template*.

Powering the Unit



1. To power the unit, simply connect it to an AC outlet using the attached AC cord.
2. The plastic extensions on the back of the unit provide a holder for excess cord.

Setting the Clock

1. Plug the unit into a standard 120V outlet.
See "Powering the Unit" on page 2.
2. Before pressing the **Standby Button**, press and hold the **Mem/Clock Adj. Button** for 2 seconds.
3. Use the **Tune/Clk Buttons** to choose between *12HR* and *24HR*. Press the **Mem/Clock Adj. Button** to make the selection.

The hour number will blink to indicate that it is being changed.

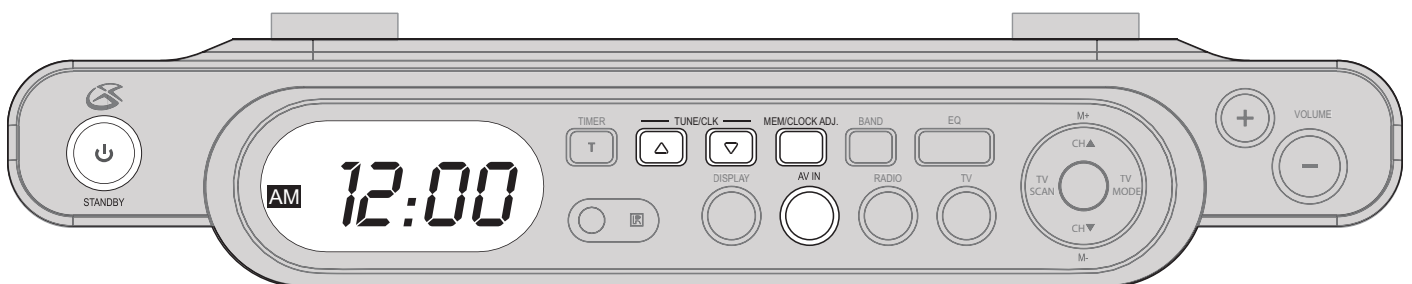
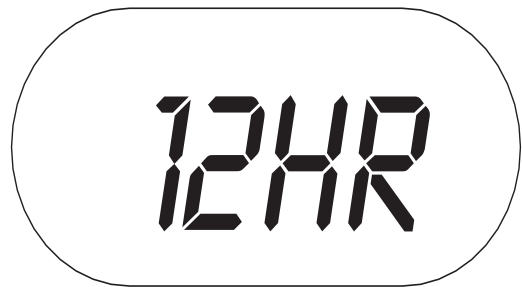
4. Use the **Tune/Clk Buttons** to choose the current hour. Press the **Mem/Clock Adj. Button** to make the selection.

The minute number will blink to indicate that it is being changed.

5. Use the **Tune/Clk Buttons** to choose the current minute. Press the **Mem/Clock Adj. Button** to make the selection.

The time will blink several times to indicate that the time has been set.

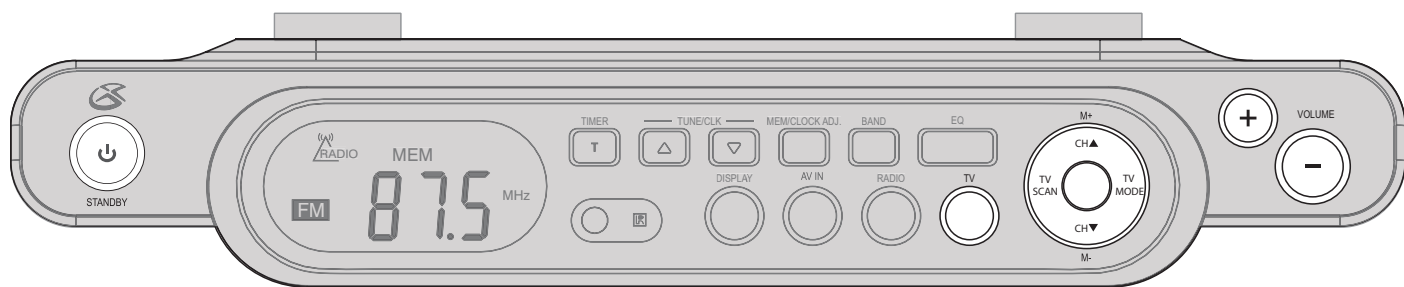
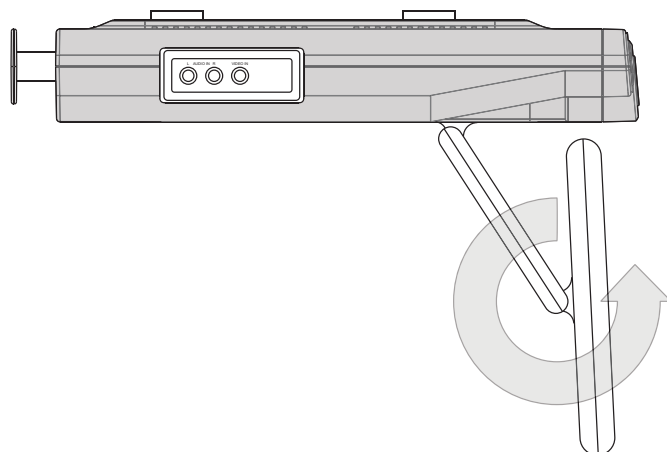
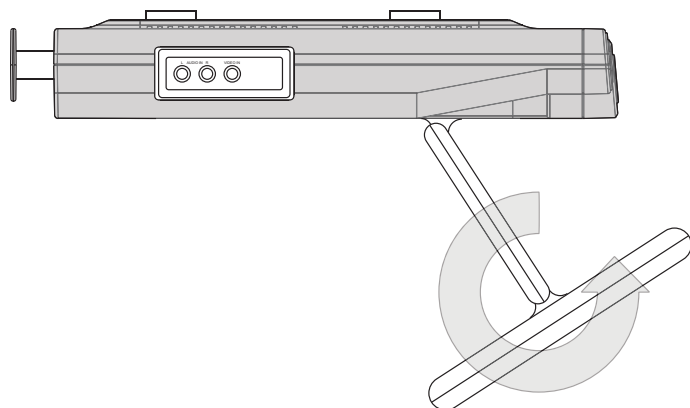
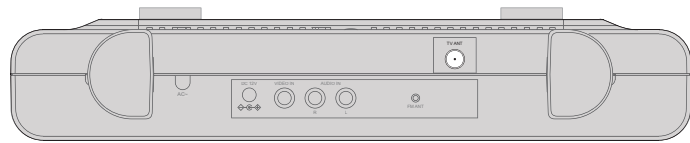
6. Press the **Display Button** to view the time when in *AV Input Mode*, *Radio Mode*, or *TV Mode*,



Connecting to a TV signal

The unit has a 181 Channel Cable-Ready TV Tuner and Digital (HD) TV Tuner. The Digital TV Tuner will only work with a connected HD TV Antenna.

1. Connect an *Off Air Antenna* or *Cable TV Coaxial* to the **TV Antenna Input**.
2. Turn the unit on by pressing the **Standby Button**.
3. Lower the **LCD TV Screen**, and rotate it vertically until it is front facing.
4. Press the **TV Button** to switch the unit to *TV Mode*.
4. If an *Off Air Antenna* connection was made, switch the unit to *ATSC Mode* by pressing the **TV Mode Button**.
5. If a *Cable TV Coaxial* connection was made, switch the unit to *NTSC Mode* by pressing the **TV Mode Button**.
6. Press the **TV Scan Button** to automatically scan and memorize available TV channels. Press the **Channel Buttons** to change the TV channel.
7. Use the **Volume Buttons** to adjust the volume of the TV.



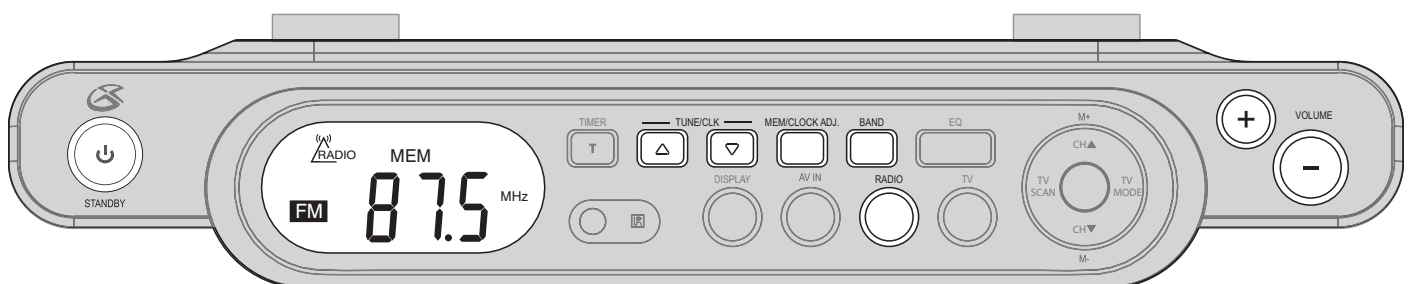
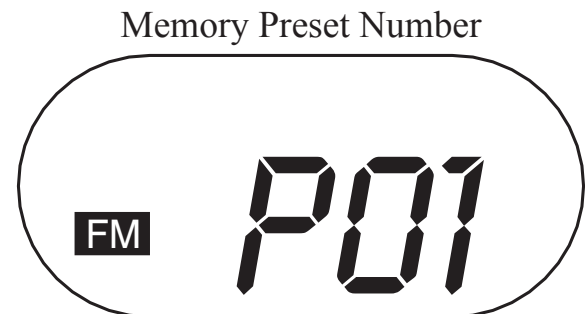
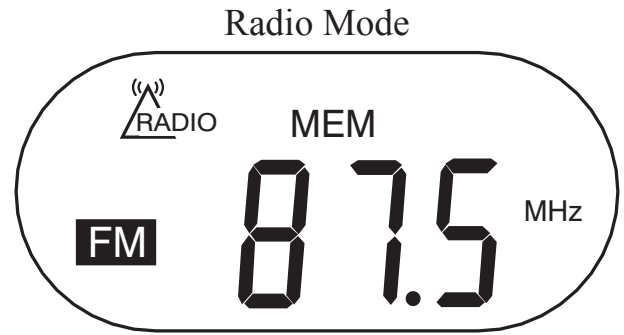
Tuning the AM & FM Radio & Creating Station Presets

1. Turn the unit on by pressing the **Standby Button**.
2. Press the **Radio Button** to switch to *Radio Mode*.
3. Press the **Band Button** to select *AM* or *FM* radio band.
4. Press the **Tune/Clk Buttons** to tune the radio.

Creating Station Presets

5. Press and hold the **Memory/Mem/Clock Adj. Button**.
The Memory Preset Number will blink to indicate that it can be changed.
6. Press the **Tune/Clk Buttons** to adjust the *Memory Preset Number*.
7. Press the **Memory/Mem/Clock Adj. Button** to save the current AM or FM station on the selected *Memory Preset Number*.

The Memory Preset Number will blink several times to indicate that it has been set.



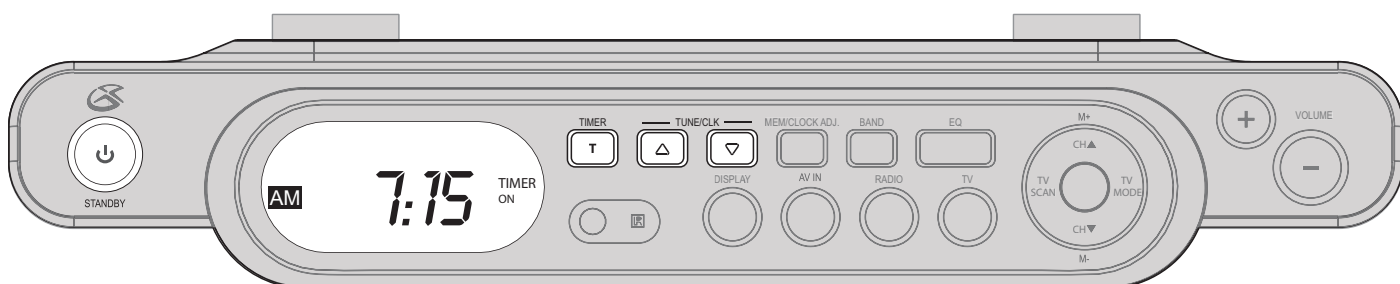
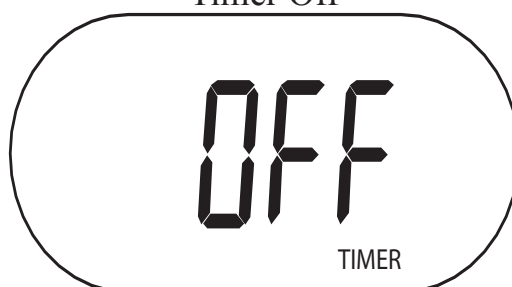
Setting the Timer to Turn the Unit On or Off

1. Press the **Timer Button** consecutively to change the timer in 10 minute intervals starting at 240. Press the **Tune/Clk Buttons** to change the timer one minute at a time.
2. After the allotted time has expired, an alarm will sound. Press the **Standby Button** to turn the alarm off.
3. To cancel the timer before the time has expired, press and hold the **Timer Button**.

Timer On



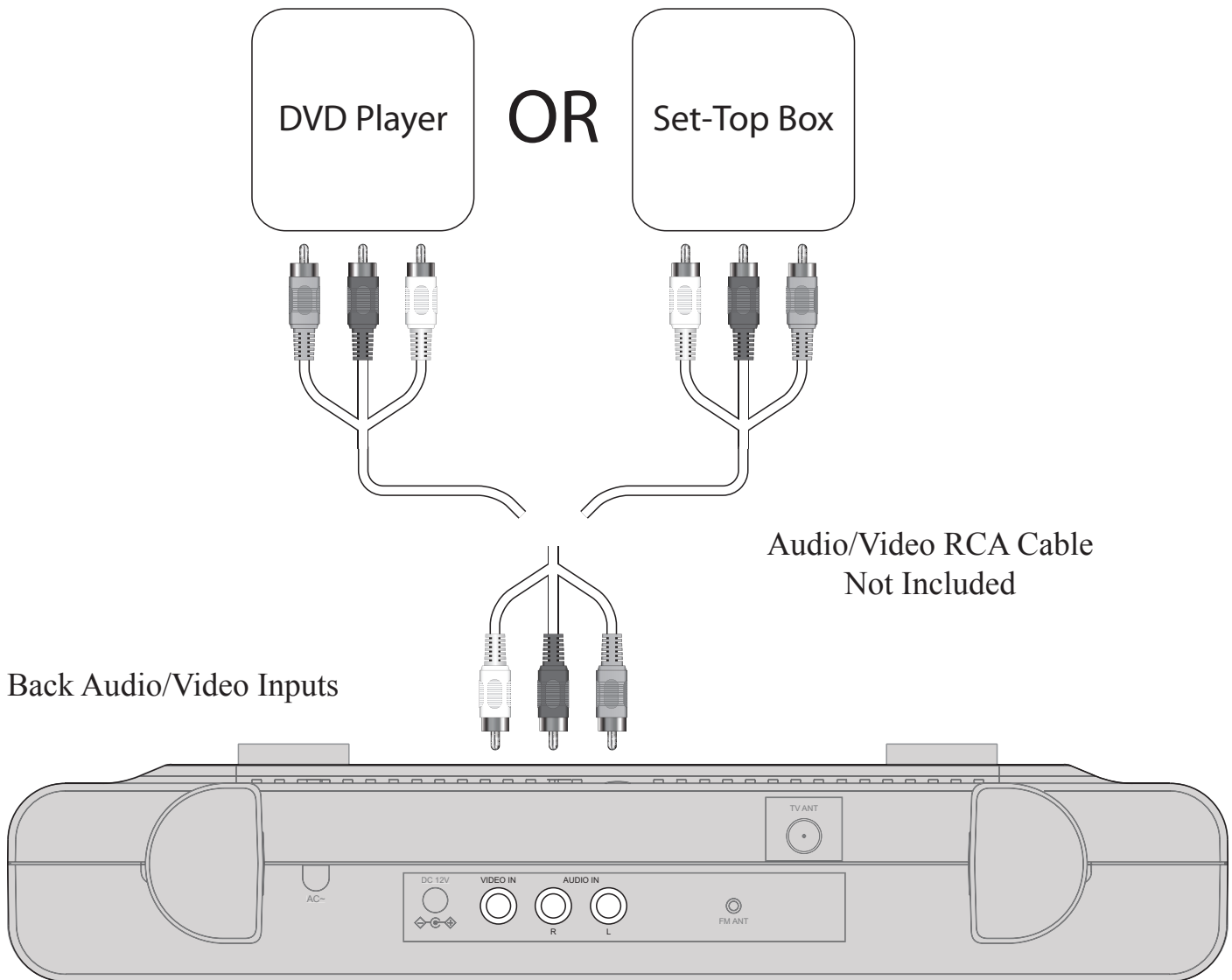
Timer Off



Audio/Video Input: from a DVD Player or Set-Top Box

When connecting two products using an RCA Cable, match the colored ports with the same colored connection. (Red to Red, White to White, and Yellow to Yellow)

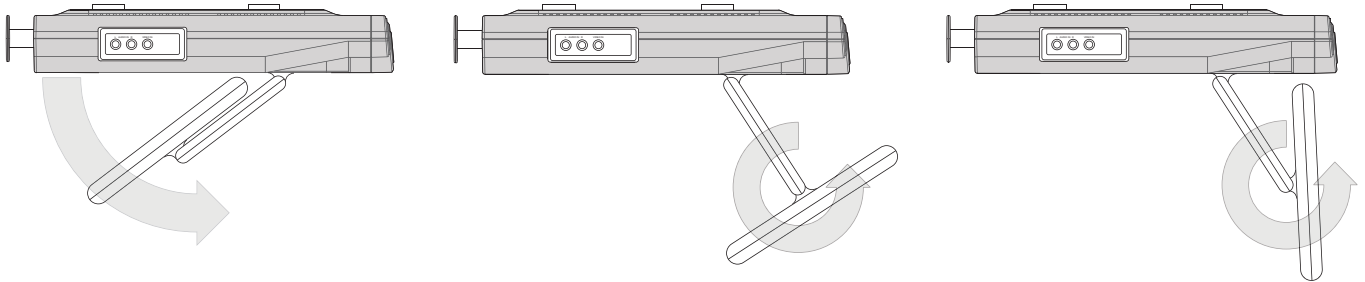
1. Connect an RCA Cable to the **Audio/Video Inputs** on the unit and the audio/video outputs on the DVD Player or Set-Top Box. (RCA Cable not included)
2. Turn the unit on by pressing the **Standby Button**.
3. Press the **AV Input Button**.
4. Audio and video played through the connected DVD Player or Set-Top Box system will now be heard and seen from the unit.



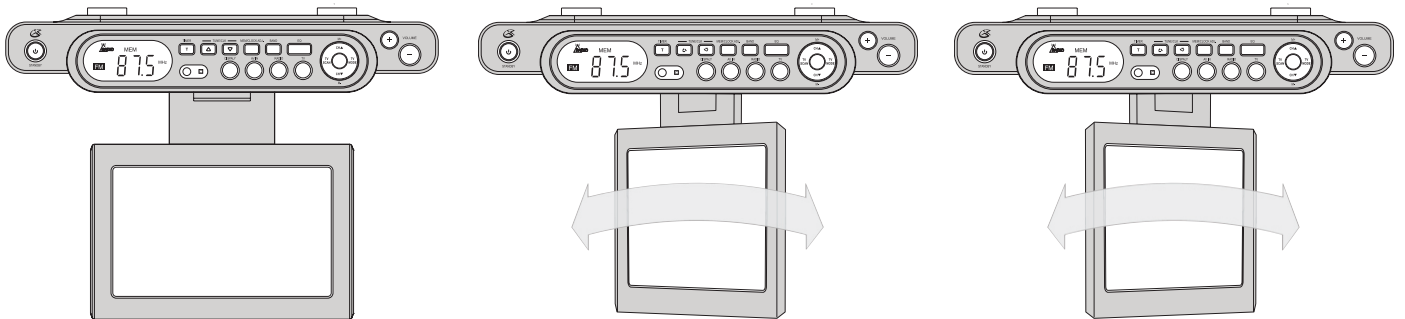
The Audio/Video Inputs on the side of the unit connect in the same way as the inputs on the back.

LCD Swivel Screen

Opening the LCD TV Screen

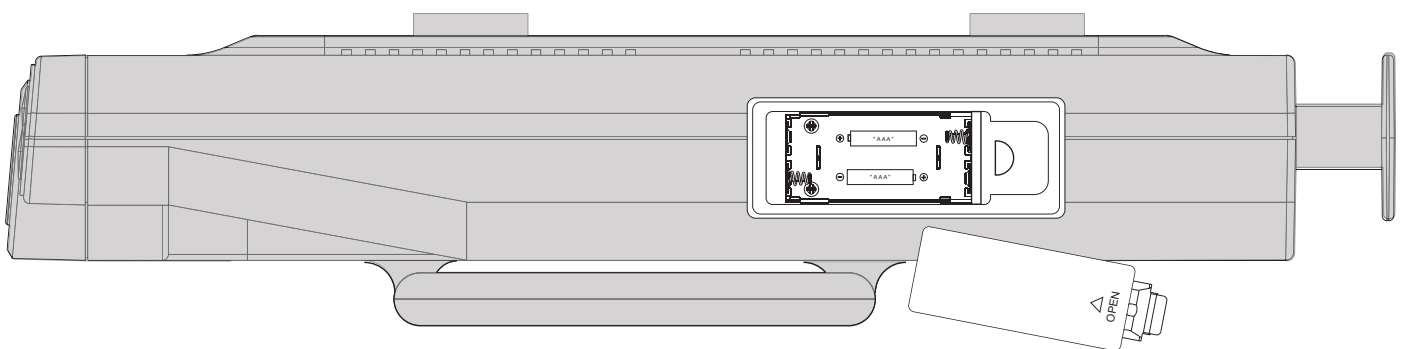


Swiveling the LCD TV Screen

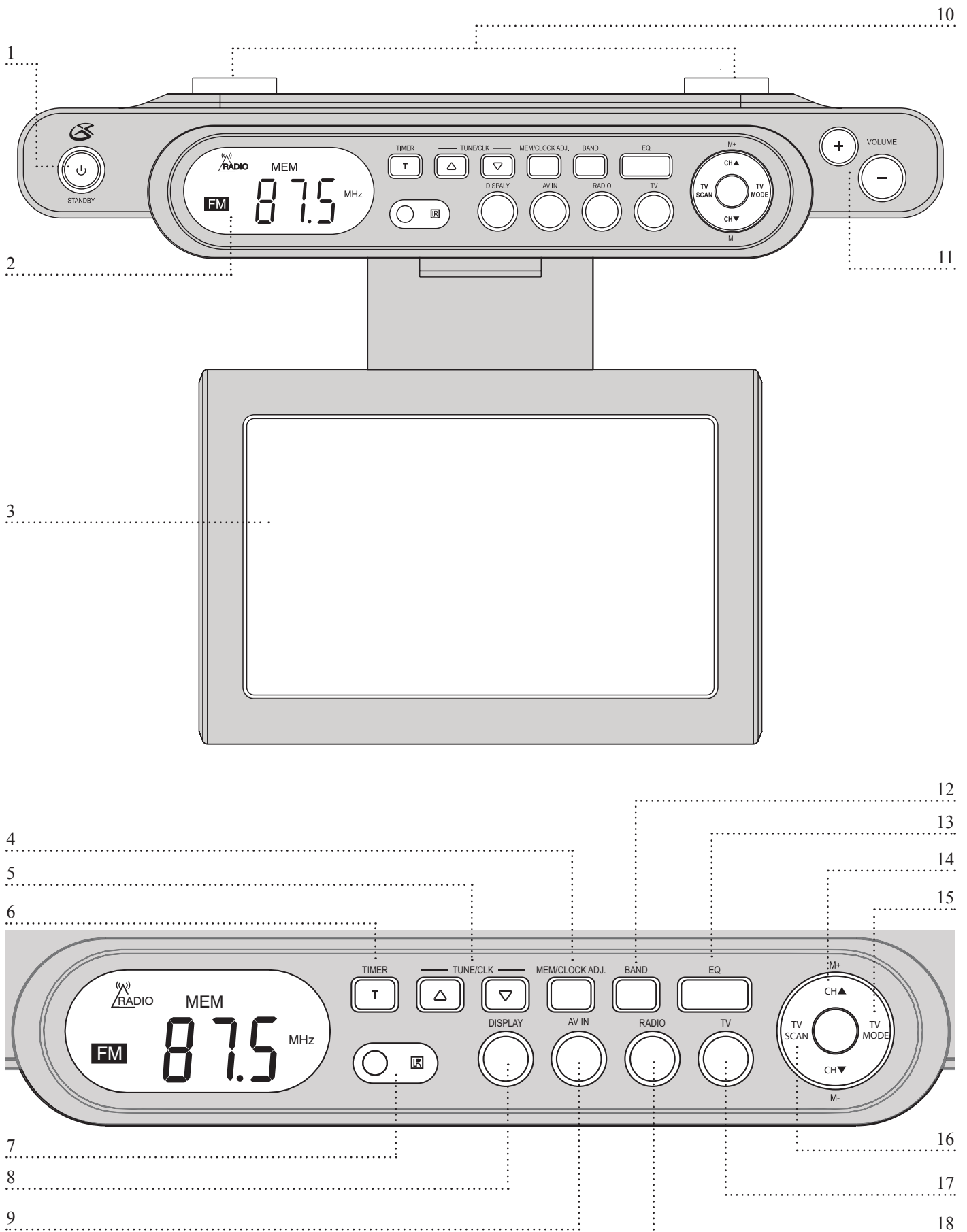


Battery Backup

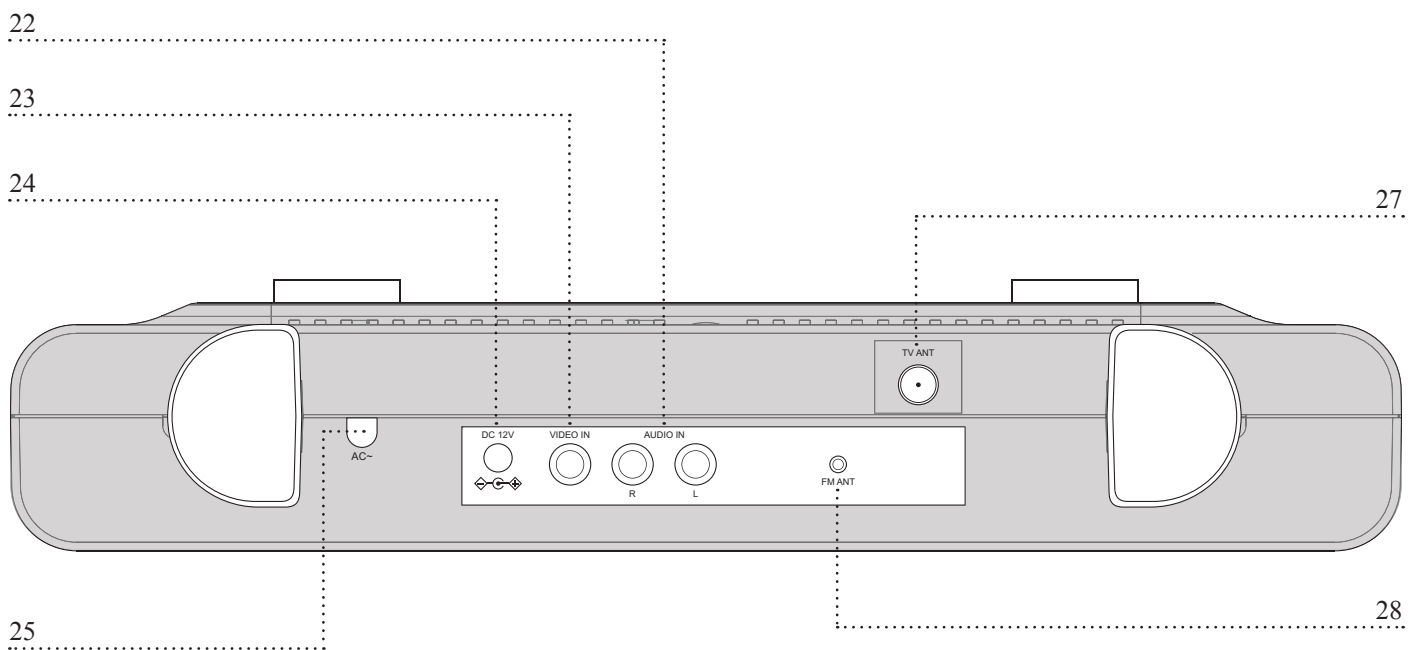
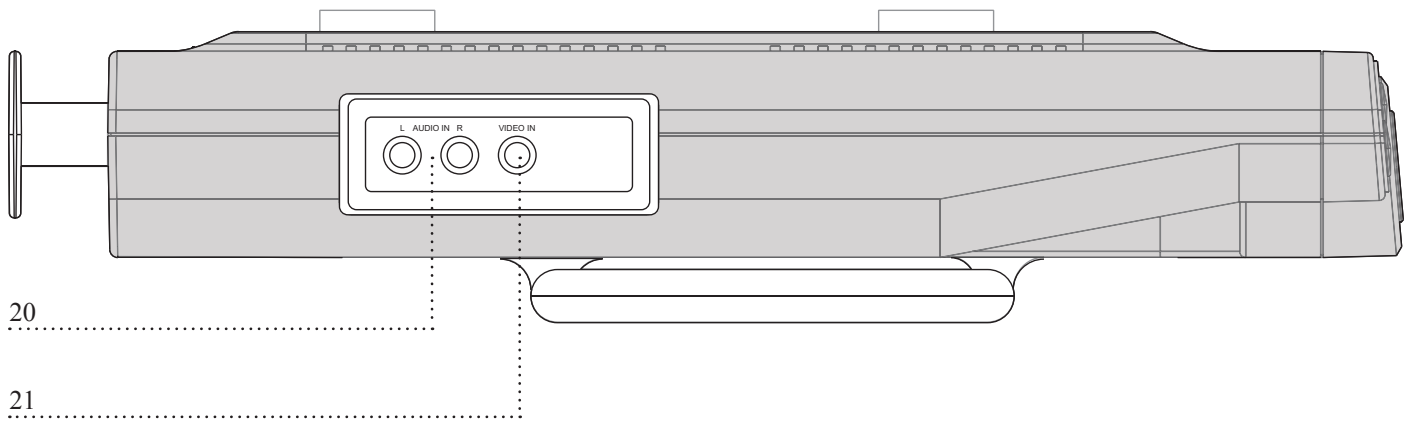
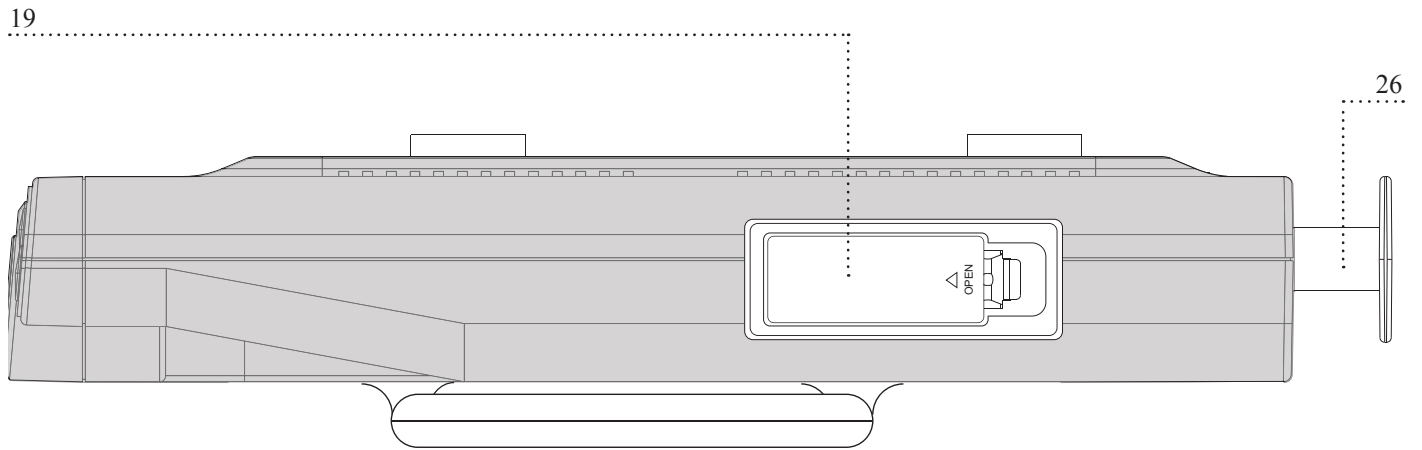
Use 2 AAA Batteries to serve as a backup power source for the clock only. (Batteries not included)



Location of Controls: Front View



Location of Controls: Side & Back Views



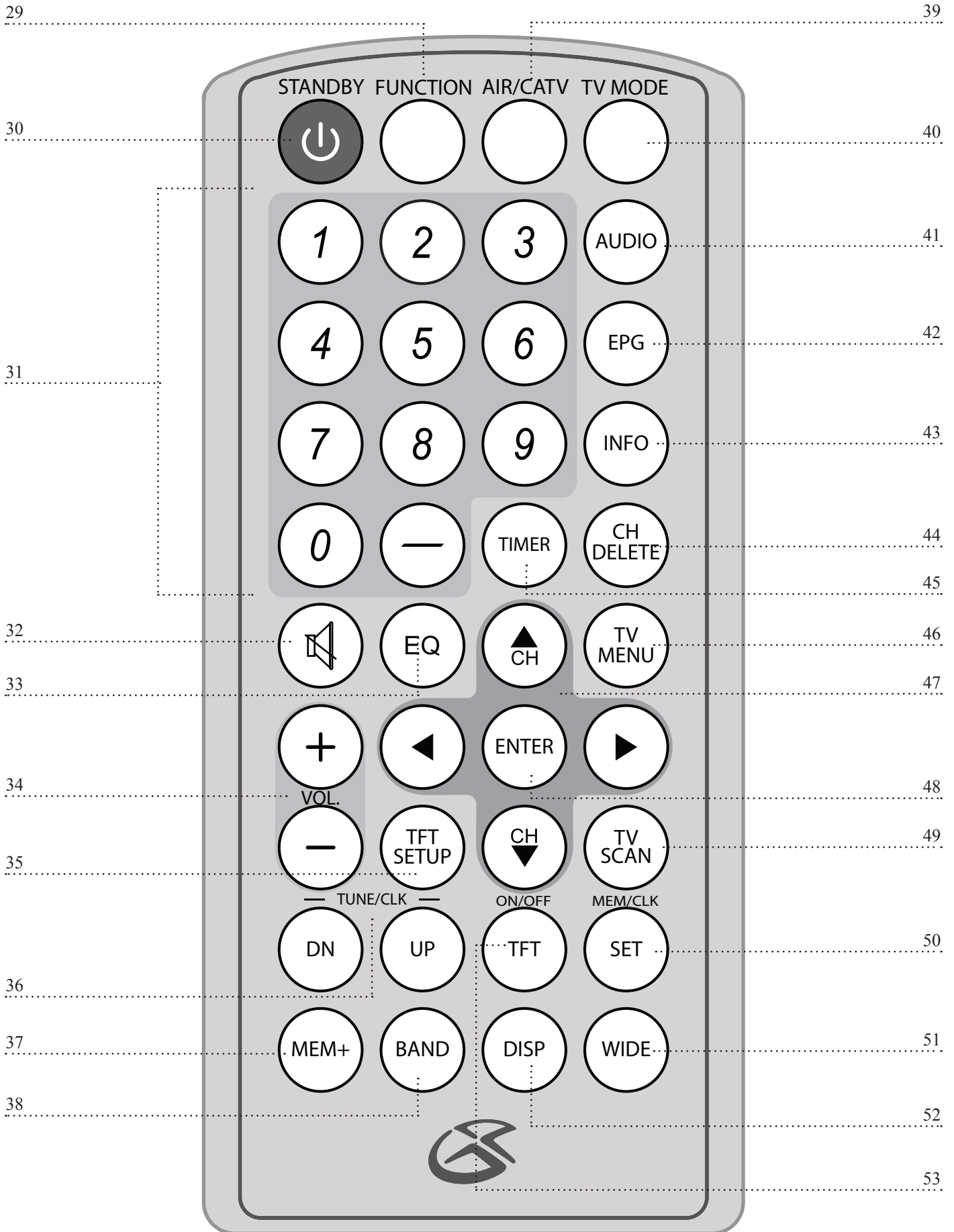
Control Definitions: Front, Side, & Back Views

- 1 **Standby Button** Press the Standby Button to turn the unit on and off.
 - 2 **LCD Display** The LCD displays clock and radio information.
 - 3 **LCD TV Screen** The LCD TV Screen displays a TV signal as well as TV information.
 - 4 **Memory/Clock Adjust Button** Press the Memory Button to save a radio station to the unit's memory. See "Saving Radio Stations to the Memory" on page 8. Press the Clock Adjust Button to set the unit's clock. See "Setting the Clock" on page 6.
 - 5 **Tune/Clk Buttons** Press the Tune/Clk Buttons to tune the radio, set the clock time, and set the timer time.
 - 6 **Timer Button** Press the Timer Button to set the timer. See page 9 for instructions on operating the Timer Feature.
 - 7 **Infrared Receiver** The Infrared Receiver receives signals from the remote.
 - 8 **Display Button** Press the Display Button to view the time when in *AV Input Mode*, *Radio Mode*, or *TV Mode*.
 - 9 **AV Input Button** Press the AV Input Button to switch to *AV Input Mode*. Switch to this mode when using the Audio and/or Video Inputs.
 - 10 **Mount Connections** The Mount Connections serve as screw receptacles when attaching the unit to a cabinet.
 - 11 **Volume Buttons** Press the Volume Buttons to adjust the volume of the unit.
 - 12 **Band Button** Press the Band Button to switch between AM and FM radio modes.
 - 13 **EQ Button** Press the EQ Button to switch between the 4 preset equalizer settings. (*Classic, Jazz, Pop, and Rock*)
 - 14 **Channel Arrow Buttons** Press the Channel Arrow Buttons to change the channel when in *TV Mode*.
 - 15 **TV Mode Button** Press the TV Mode Button to switch between *NTSC (Standard TV)* and *ATSC (High Definition TV) Mode*.
 - 16 **TV Scan Button** Press the TV Scan Button to automatically scan and memorize available channels.
 - 17 **TV Button** Press the TV Button to switch to *TV Mode*. Switch to this mode when watching TV on the LCD TV Screen.
 - 18 **Radio Button** Press the Radio Button to switch to *Radio Mode*. Switch to this mode when listening to the AM or FM radio.
 - 19 **Backup Battery Compartment** The Backup Battery Compartment uses 2 AAA Batteries to serve as a backup power source for the clock only. (Batteries not included)
 - 20 **Audio Inputs (Side)** Use the Audio Inputs to play audio from a DVD player, set-top box, or Mp3 player, on the unit.
-

Control Definitions: Front, Side, & Back Views

- 21 Video Input (Side)** Use the Video Input to play video, from a DVD player, set-top box, or Mp3 player, on the unit.
-
- 22 Audio Inputs (Back)** Use the Audio Inputs to play audio, from a DVD player, set-top box, or Mp3 player, on the unit.
-
- 23 Video Input (Back)** Use the Video Input to play video, from a DVD player, set-top box, or Mp3 player, on the unit.
-
- 24 DC Power Input** The DC Power Input provides power to the unit when plugged in.
-
- 25 Attached AC Cord** Plug in the Attached AC Cord to a standard 120V outlet to provide power to the unit.
-
- 26 AC Cord Hooks** Use the AC Cord Hooks to wrap and store excess from the AC Cord.
-
- 27 TV Antenna Input** Use the TV Antenna Input to connect a digital (ATSC) or an analog (NTSC) TV signal to the unit.
-
- 28 FM Wire Antenna** The FM Wire Antenna provides reception for the FM Radio.
-

Location of Controls: Remote

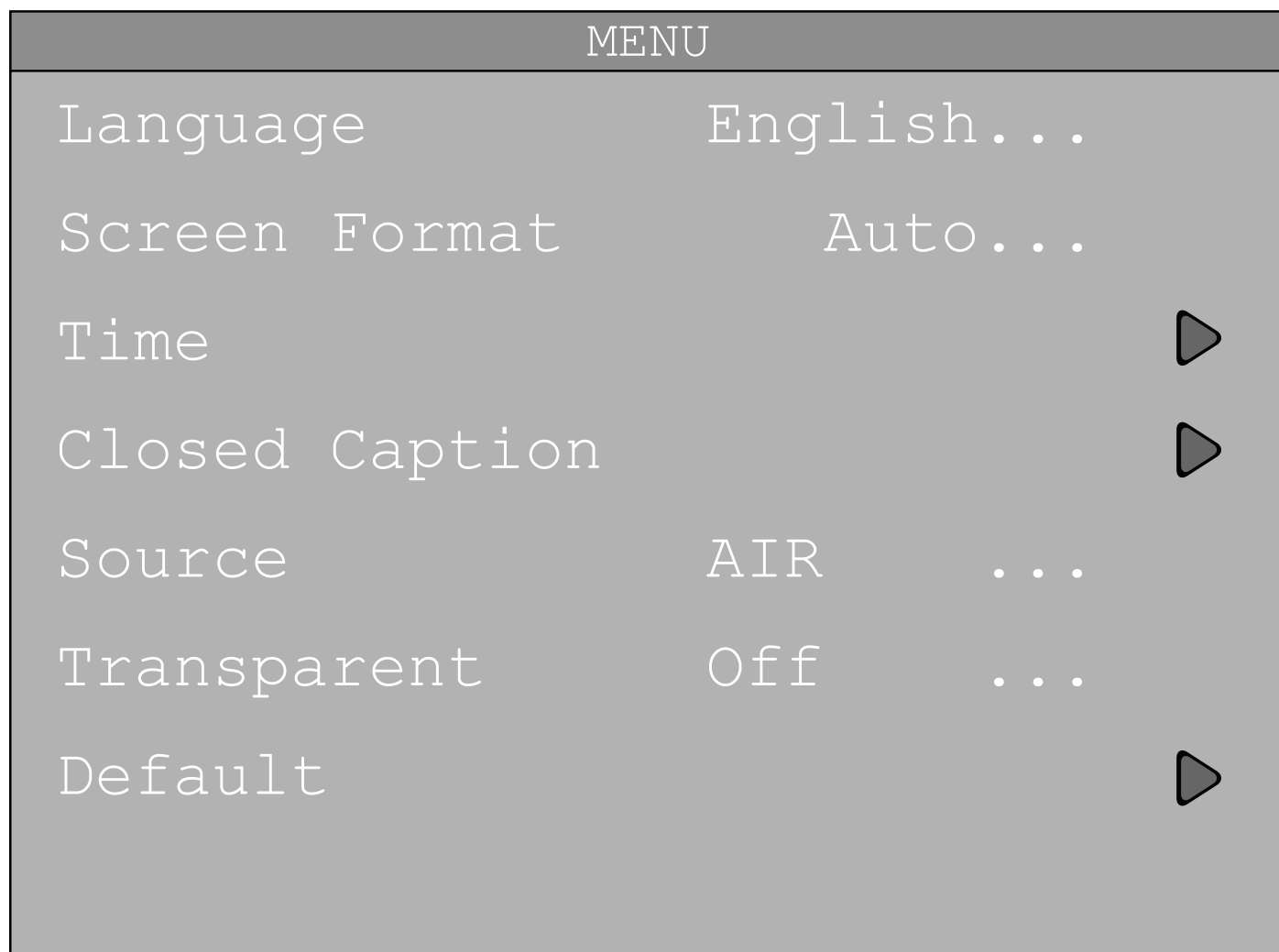


Control Definitions: Remote

- 29 Function Button** Press the Function Button to switch between *AV Input Mode*, *Radio Mode*, and *TV Mode*.
-
- 30 Standby Button** Press the Standby Button to turn the unit off and on.
-
- 31 Number Keypad & Plus 10 Button** Use the Number Keypad in *TV Mode* to select specific channels. Use the Plus 10 Button when entering a number that is greater than 10.
-
- 32 Mute Button** Press the Mute Button to mute the unit's volume.
-
- 33 EQ Button** Press the EQ Button to switch between the 4 preset equalizer settings. (*Classic, Jazz, Pop, and Rock*)
-
- 34 Volume Buttons** Press the Volume Buttons to adjust the volume of the unit.
-
- 35 TFT Setup Button** Press the TFT Setup Button to adjust the *Brightness, Contrast, Sharpness, Color, Hue, Display Mode*, and *Default TFT Setup* options
-
- 36 Tuning Buttons** Press the Tuning Buttons to tune the AM and FM radio stations.
-
- 37 Memory + Button** Press the Memory + Button to cycle through the preset radio stations.
-
- 38 Band Button** Press the Band Button to switch between AM and FM radio modes.
-
- 39 AIR/CATV Button** Press the AIR/CATV Button to change the source of the *TV Signal* to AIR or CATV.
-
- 40 TV Mode Button** Press the TV Mode Button to switch between ATSC (Digital) and NTSC (Analog) *TV Modes*.
-
- 41 Audio Button** Press the Audio Button to change the audio language when available.
-
- 42 EPG Button** Press the EPG Button to display the Extended Program Guide.
-
- 43 Info Button** Press the Info Button to view channel/show information.
-
- 44 CH Delete Button** Press the CH Delete Button to delete a TV channel from the unit's memory. To retrieve deleted channels, use the TV Scan Button.
-
- 45 Timer Button** Press the Timer Button to set the *Timer On* and *Timer Off* functions.
-
- 46 TV Menu Button** Press the TV Menu Button to access the TV Menu.
-
- 47 Directional & Channel Buttons** Use the Directional & Channel Buttons to navigate the TV Menu and change the TV channel.
-
- 48 Enter Button** Press the Enter Button to make a selection in the TV Menu.
-
- 49 TV Scan Button** Press the TV Scan Button to automatically scan and memorize available channels.
-
- 50 Memory/Mem/Clock Adj. Button** Press the Memory Button to save a radio station to the unit's memory. See "*Saving Radio Stations to the Memory*" on page 8. Press the Clock Adjust Button to set the unit's clock. See "*Setting the Clock*" on page 6.
-
- 51 Wide Button** Press the Wide Button to change the *Screen Format* to *Auto* or *16:9*.
-
- 52 Display Button** Press the Display Button to view the time while in *AV Input Mode, Radio Mode, or TV Mode*.
-
- 53 TFT Power Button** Press the TFT Power Button to turn the TFT (LCD TV Screen) on and off.
-

TV Setup Menu

To access the *TV Setup Menu*, press the **TV Menu Button**.



TV Setup Menu

Language

Press the **Enter Button** to choose between English, Spanish, and French languages for the *TV Setup Menu*.

Screen Format

Press the **Enter Button** to choose between *Auto* and *16:9* orientation.

Auto

The Auto setting will automatically size the incoming TV signal to fit on the LCD TV Screen.

16:9

The 16:9 setting shows the incoming TV signal in a wide screen view.

Time

Press the **Enter Button** to select a *Time Zone* for the clock.

Closed Caption

Press the **Enter Button** to turn Closed Captions *Off* or *On*, and select an *Analog Type* and *Digital Type*.

Analog Type

Choose the closed captioning option to be used when watching an analog TV signal.

Digital Type

Choose the closed captioning option to be used when watching a digital TV signal.

Source

Press the **Enter Button** to use the source option to change the source of the TV signal. Use the source option that best matches your cable providers signal.

Transparent

Press the **Enter Button** to turn the TV Setup Menu's transparency on or off.

Default

Press the **Enter Button** to use the Default option to restore the factory default settings.



Service Information

Address 2116 Carr Street, St. Louis MO, 63106

Phone 1-314-621-2881

Fax 1-314-588-1805

Email prodinfo@gpx.com

Website www.gpx.com

To download this Instruction Manual in English, Spanish, or French visit the Support section at www.gpx.com.

Para descargar este manual de instrucción en inglés, español, o francés visite la sección de la ayuda en www.gpx.com.

Pour télécharger ce manuel d'instruction en anglais, espagnol, ou le Français visitez la section de soutien à www.gpx.com.

Free Manuals Download Website

<http://myh66.com>

<http://usermanuals.us>

<http://www.somanuals.com>

<http://www.4manuals.cc>

<http://www.manual-lib.com>

<http://www.404manual.com>

<http://www.luxmanual.com>

<http://aubethermostatmanual.com>

Golf course search by state

<http://golfingnear.com>

Email search by domain

<http://emailbydomain.com>

Auto manuals search

<http://auto.somanuals.com>

TV manuals search

<http://tv.somanuals.com>