



USER'S GUIDE
V:1058-0914-09



TD2420 24" Class LCD Television

For the most up-to-date version of this User's Guide, go to www.gpx.com

WARNINGS AND PRECAUTIONS

- **CAUTION:** TO PREVENT ELECTRIC SHOCK, MATCH WIDE BLADE OF PLUG TO WIDE SLOT, FULLY INSERT.
- **WARNING:** To prevent fire or shock hazards, do not expose this unit to rain or moisture.
- **AVERTISSEMENT:** Pour réduire le risque d'incendie ou de choc électrique, ne pas exposer cet appareil sous la pluie et l'humidité.
- **CAUTION:** Use of controls or adjustments or performance of procedures other than those specified may result in hazardous radiation exposure.
- **WARNING:** Changes or modifications to this unit not expressly approved by the party responsible for compliance could void the user's authority to operate the equipment.
- **WARNING:** Do not place the unit on top of any soft, porous, or sensitive surfaces to avoid damaging the surface. Use a protective barrier between the unit and surface to protect the surface.
- **WARNING:** Use of this unit near fluorescent lighting may cause interference regarding use of the remote. If the unit is displaying erratic behavior move away from any fluorescent lighting, as it may be the cause.
- **CAUTION:** Danger of explosion if battery is incorrectly replaced. Replace only with the same or equivalent type.
- **PRÉCAUTION:** *Danger d'explosion si les piles sont remplacées de façon incorrect. Remplacer les piles seulement par le même type de pile ou l'équivalent.*
- **WARNING:** There is a danger of explosion if you attempt to charge standard Alkaline batteries in the unit. Only use rechargeable NiMH batteries.
- **WARNING:** The remote control's button cell battery contains mercury. Do not put in the trash, instead recycle or dispose of as hazardous waste
- **WARNING:** Lithium batteries, like all rechargeable batteries are recyclable and should be recycled or disposed of in normal household waste. Contact your local government for disposal or recycling practices in your area. They should never be incinerated since they might explode.

Main plug is used as disconnect device and it should remain readily operable during intended use.

Do not mix old and new batteries.

Do not mix alkaline, standard (carbon-zinc), or rechargeable (ni-cad, ni-mh, etc) batteries.

No mezcle baterías viejas y nuevas.

No mezcle baterías alcalinas, estándar (carbono-zinc) o recargables (ni-cad, ni-mh, etc.).

CAUTION

RISK OF ELECTRIC SHOCK
DO NOT OPEN

WARNING: TO REDUCE THE RISK OF ELECTRIC SHOCK, DO NOT REMOVE COVER (OR BACK). NO USER-SERVICEABLE PARTS INSIDE. REFER SERVICING TO QUALIFIED SERVICE PERSONNEL.



The lightning flash with arrowhead symbol, within an equilateral triangle, is intended to alert the user to the presence of uninsulated "dangerous voltage" within the product's enclosure that may be of sufficient magnitude to constitute a risk of electric shock to persons.



The exclamation point within an equilateral triangle is intended to alert the user to the presence of important operating and maintenance (servicing) instructions in the literature accompanying the appliance.



This product utilizes a Class 1 laser to read Compact Discs. This laser Compact Disc Player is equipped with safety switches to avoid exposure when the CD door is open and the safety interlocks are defeated. Invisible laser radiation is present when the CD Player's lid is open and the system's interlock has failed or been defeated. It is very important that you avoid direct exposure to the laser beam at all times. Please do not attempt to defeat or bypass the safety switches.

IMPORTANT SAFETY INSTRUCTIONS

1. Read these Instructions.
2. Keep these Instructions.
3. Heed all Warnings.
4. Follow all instructions.
5. Do not use this apparatus near water.
6. Clean only with a dry cloth.
7. Do not block any ventilation openings. Install in accordance with the manufacturer's instructions.
8. Do not install near any heat sources such as radiators, heat registers, stoves, or other apparatus (including amplifiers) that produce heat.
9. Do not defeat the safety purpose of the polarized or grounding - type plug. A polarized plug has two blades with one wider than the other. A grounding type plug has two blades and a third grounding prong. The wide blade or the third prong are provided for your safety. When the provided plug does not fit into your outlet, consult an electrician for replacement of the obsolete outlet.
10. Protect the power cord from being walked on or pinched particularly at plugs, convenience receptacles, and the point where they exit from the apparatus.
11. Only use attachments/accessories specified by the manufacturer.
12. Use only with a cart, stand, tripod, bracket, or table specified by the manufacturer, or sold with the apparatus. When a cart is used, use caution when moving the cart/apparatus combination to avoid injury from tip-over.
13. Unplug this apparatus during lightning storms or when unused for long periods of time.
14. Refer all servicing to qualified service personnel. Servicing is required when the apparatus has been damaged in any way, such as power-supply cord or plug is damaged, liquid has been spilled or objects have fallen into the apparatus, the apparatus has been exposed to rain or moisture, does not operate normally, or has been dropped.



FCC Warnings

NOTE: This equipment has been tested and found to comply with the limits for a Class B digital device, pursuant to Part 15 of the FCC Rules. These limits are designed to provide reasonable protection against harmful interference in a residential installation. This equipment generates, uses, and can radiate radio frequency energy and, if not installed and used in accordance with the instructions, may cause harmful interference to radio communications. However, there is no guarantee that interference will not occur in a particular installation. If this equipment does cause harmful interference to radio or television reception, which can be determined by turning the equipment off and on, the user is encouraged to try to correct the interference by one or more of the following measures:

- Reorient or relocate the receiving antenna.
- Increase the separation between the equipment and receiver.
- Connect the equipment into an outlet on a circuit different from that to which the receiver is connected.
- Consult the dealer or an experienced radio/TV technician for help.

Additional Warnings

- The apparatus shall not be exposed to dripping or splashing and that no objects filled with liquids, such as vases, shall be placed on apparatus.
L'appareil ne doit pas être exposé aux écoulements ou aux éclaboussures et aucun objet ne contenant de liquide, tel qu'un vase, ne doit être placé sur l'objet.
- Main plug is used as disconnect device and it should remain readily operable during intended use. In order to disconnect the apparatus from the mains completely, the mains plug should be disconnected from the mains socket outlet completely.
La prise du secteur ne doit pas être obstruée ou doit être facilement accessible pendant son utilisation. Pour être complètement déconnecté de l'alimentation d'entrée, la prise doit être débranchée du secteur.
- Battery shall not be exposed to excessive heat such as sunshine, fire or the like.
Les piles ne doivent pas être exposées à de forte chaleur, tel qu'à la lumière du soleil, au feu ou autres choses de semblable.
- Caution marking is located at the rear of the apparatus.
Les marquages sont inscrits de derrière de l'appareil.
- The marking information is located at the rear of apparatus.
Les précautions d'emploi sont inscrites de derrière de l'appareil.

24" CLASS LCD TELEVISION

Features

24" Class LCD TV

This 24" class TV has an actual diagonal viewing dimension of 23.6".

- Built-In ATSC Tuner
- Electronic Program Guide (EPG)
- Supports 480i, 480p, 720p, 1080i, 1080p
- Aspect Ratio: 16:9
- Display Resolution: 1920x1080, Viewing Angle: 170(H)x160(V)
- Contrast: 1000:1, Brightness: 300cd/m²
- Response Time: 5ms, Color: max 16.7M
- Multi-Language OSD: On-Screen Display in English, French & Spanish
- Adjustable Sleep Timer

Slot-Load DVD/CD Player

- Plays DVD, DVD±R/RW, JPEG Picture Discs
- Plays Audio CD, CD-R/RW Discs
- UpConversion to Screen Resolution

Connections

- Expansion Memory SD Card Slot
- USB Jack for Thumb Drives
- A/V Input, RCA type
- RF Input for Tuner
- VGA Input
- PC Audio Input
- HDMI Input

Built-In Speakers

Full-Feature Remote Control

- Battery included

AC-Powered

- Built-In 120V AC Line Cord

Included

- TD2420
- Removable stand
- Remote control, remote batteries included

TABLE OF CONTENTS

INTRODUCTION	6
SETUP	8
TELEVISION SETUP	9
TELEVISION	10
DVD & CD	11
OTHER CONNECTIONS	12
USB THUMB DRIVE	13
MMC/SD/MS MEMORY CARD	14
COMPANY INFORMATION	16

INTRODUCTION

MENU
Press to view the setup menu for the television.

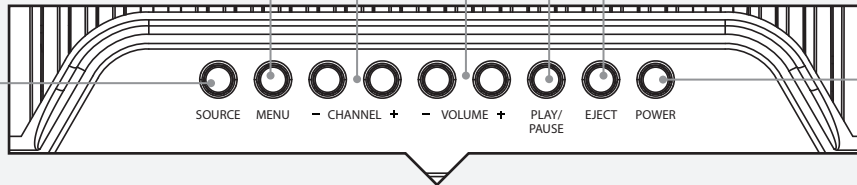
CHANNEL
Press to change the LCD television's channel.

VOLUME
Press to adjust the volume.

PLAY/PAUSE
Press to play or pause a loaded DVD or CD.

EJECT
Press to eject a DVD or CD from the slot-load disc drive.

SOURCE
Press to switch the current Source. (TV, AV, DVD, HDMI, VGA)

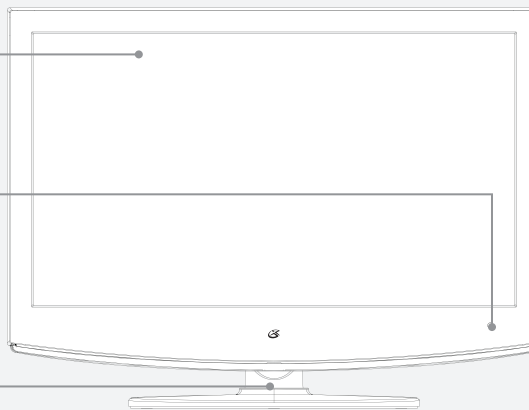


POWER
Press to turn the LCD television off or on.

LCD DISPLAY
24" Class LCD Display

REMOTE RECEIVER

REMOVABLE TV STAND



TV ANTENNA INPUT

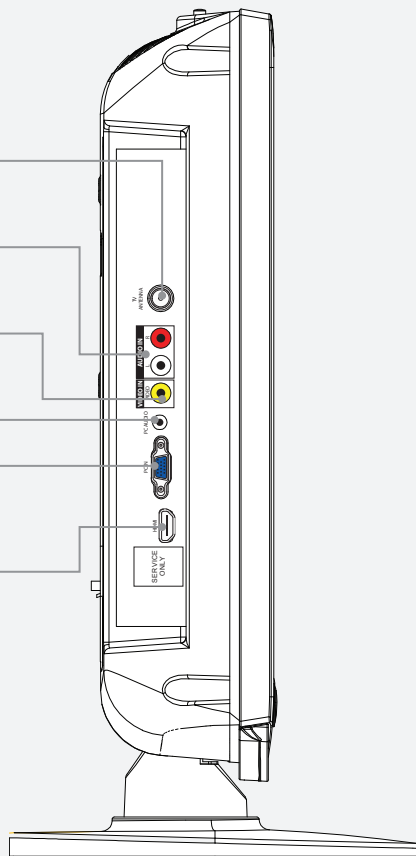
AUDIO INPUT

COMPOSITE VIDEO INPUT

3.5MM PC AUDIO INPUT

PC VIDEO INPUT

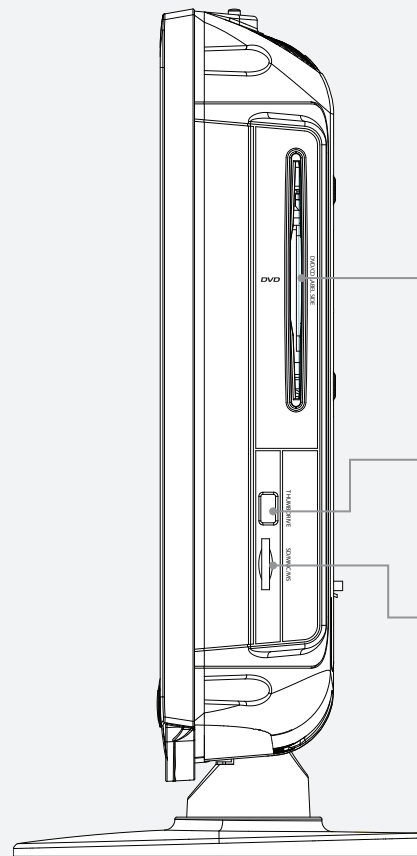
HDMI INPUT



SLOT-LOAD DISC DRIVE

USB THUMB DRIVE CONNECTION

SD/MMC/MS MEMORY CARD SLOT



POWER
Press to turn the LCD television off or on.

PLAY/PAUSE
Press to play or pause a loaded DVD or CD.

SEARCH
Press to search forwards or backwards through the current chapter or track.

P MODE
Press to switch between available Picture Modes. (Standard, Dynamic, Soft, Personal)

S MODE
Press to switch between available Sound Modes. (Standard, Music, Movie, Personal)

LIST
Press to view a list of all available television channels.

FAV
Press to view a list of favorite channels as added through the setup menu.

SOURCE
Press to switch the current Source. (TV, AV, DVD, HDMI, VGA)

MENU
Press to view the setup menu for the television.

NUMBER KEYPAD

VOLUME
Press to adjust the volume.

ASPECT
Press to adjust the current aspect of the display. (Normal, Wide, Zoom, Cinema)

DVD DISPLAY
Press to view the on-screen display for a DVD, CD, USB Thumb Drive, or Memory Card.

ZOOM
Press to zoom in or out on a loaded DVD.

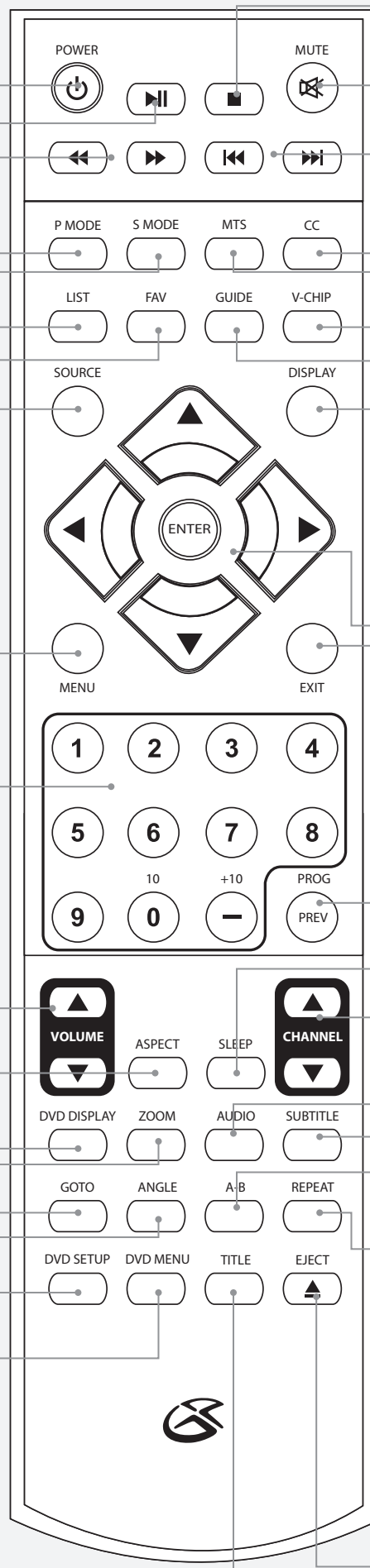
GOTO
Press and enter in a specific title, chapter, track, or time to go to.

ANGLE
Press to view different angles on a supported DVD.

DVD SETUP
Press to enter the DVD setup menu.

DVD MENU
Press to access the main menu of a loaded DVD.

TITLE
Press to access the title menu of a loaded DVD.



STOP
Press to stop a DVD or CD during play.

MUTE
Press to mute the volume.

SKIP
Press to skip forwards or backwards through chapters and tracks.

CC
Press to adjust the Closed Captioning settings.

MTS
Press to adjust between available audio channels.

V-CHIP
Press and enter the passcode to unlock the current channel's parental lock. (default passcode: 0000)

GUIDE
Press to view an on-screen programming guide.

DISPLAY
Press to view the on-screen display for the LCD television.

DIRECTION (▼▶▲◀) / ENTER
Press to navigate and make selections.

EXIT
Press to exit the current on-screen display or menu.

PROG/PREV
Press to program a DVD or CD to play chapters and titles or tracks in a specified order. In TV mode, press to go to the previous channel.

SLEEP
Press repeatedly to set the sleep timer. After the set sleep time has expired the LCD television will power off.

CHANNEL
Press to change the LCD television channel.

AUDIO
Press to cycle through available audio options for the loaded DVD.

SUBTITLE
Press to cycle through available subtitle options for the loaded DVD.

A-B
Press to set a specified section of DVD to play repeatedly.

REPEAT
Press to repeat the current chapter, title, track, or album on a DVD or CD.

EJECT
Press to eject a DVD or CD from the slot-load disc drive.

SETUP

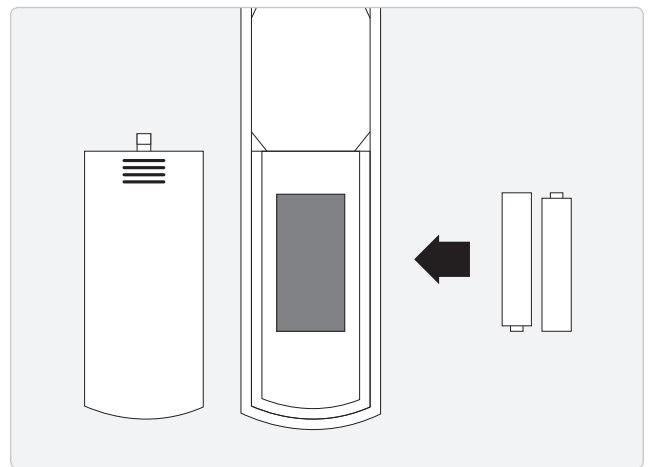
Power

Plug the attached AC cord into a standard AC power outlet to power the LCD television.



Remote Power

Requires 2 AAA batteries, included.
Insert the included AAA batteries into the remote control to power the remote.



Connecting a TV Antenna

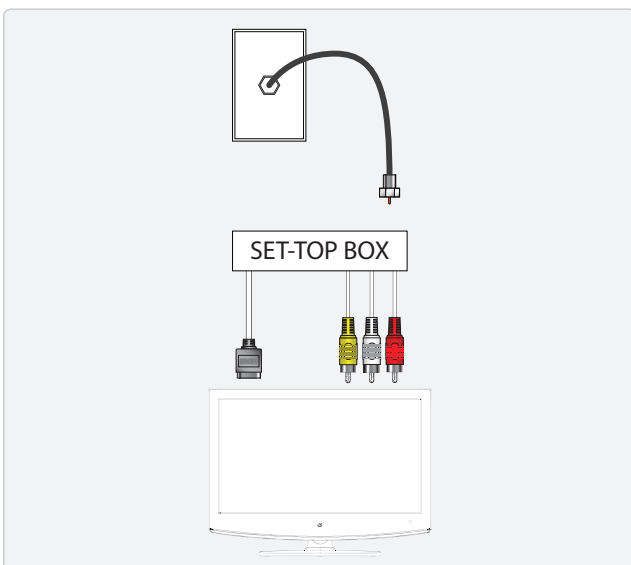
Requires a TV antenna, not included.

- 1 Connect a VHF, UHF, or HDTV antenna to the **TV ANTENNA** on the LCD television.
- 2 Press the **SOURCE** button and adjust the INPUT SOURCE to "TV".
- 3 Press the **MENU** button to access the Setup Menu.
- 4 Press the **DIRECTION** (◀ ▶) buttons to select the CHANNEL tab.
- 5 Press the **DIRECTION** (▼ ▲) buttons to select AIR/CABLE. Press the **DIRECTION** (◀ ▶) buttons to select AIR.
- 6 Press the **DIRECTION** (▼ ▲) buttons to select AUTO SCAN. Press the **ENTER** button.
- 7 Press the **DIRECTION** (▼ ▲) buttons to select START TO SCAN. Press the **ENTER** button.

Connecting Basic Cable

Because the LCD television is HDTV only, basic cable can only be connected through a set-top box. Requires a basic cable connection and set-top box, not included.

- 1 Follow the instructions for connecting a set-top box.



Connecting a Set-Top Box

Requires a Set-Top Box, not included.

If your Set-Top Box has an HDMI Output:

- 1 Connect the HDMI Output on the Set-Top Box to the **HDMI INPUT** on the LCD television.

If your Set-Top Box has an Video Output:

- 1 Connect the Video Output on the Set-Top Box to the **COMPOSITE VIDEO INPUT** on the LCD television. Connect the Audio Output on the Set-Top Box to the **AUDIO INPUT** on the LCD television.

After connecting your Set-Top Box:

- 2 Press the **SOURCE** button and adjust the INPUT SOURCE to "VIDEO" or "HDMI" to match the connection.

Scanning for Channels

After connecting your TV Antenna or Basic Cable you need to scan for channels before you'll be able to watch any television.

- 1 Connect a TV Antenna or Basic Cable to the LCD television.
- 2 Press the **SOURCE** button and adjust the INPUT SOURCE to "TV".
- 3 Press the **MENU** button to access the Setup Menu.
- 4 Press the **DIRECTION** (◀ ▶) buttons to select the CHANNEL tab.
- 5 Press the **DIRECTION** (▼ ▲) buttons to select AUTO SCAN. Press the **ENTER** button.
- 6 Press the **DIRECTION** (▼ ▲) buttons to select START TO SCAN. Press the **ENTER** button.

Your LCD television will automatically begin scanning for available channels.

NTSC analog channels will not be scanned.

TELEVISION

Channel List View

- 1 Press the **SOURCE** button and adjust the INPUT SOURCE to "TV".
- 2 Press the **LIST** button, on the remote, to view a list of available channels.

Unless you are using a Set-Top Box, you must auto scan for channels before being able to view channels in list view.

Adding Favorites

- 1 Press the **SOURCE** button and adjust the INPUT SOURCE to "TV".
- 2 Press the **MENU** button to access the Setup Menu.
- 3 Press the **DIRECTION** (◀ ▶) buttons to select the CHANNEL tab.
- 4 Press the **DIRECTION** (▼ ▲) buttons to select FAVORITES. Press the **ENTER** button.
- 5 Press the **DIRECTION** (▼ ▲) buttons to select available channels and press the **ENTER** button to save those channels as favorites.

Channels added to the Favorites list will show a check next to their name.

Viewing Favorites

- 1 Press the **SOURCE** button and adjust the INPUT SOURCE to "TV".
- 2 Press the **FAV** button, on the remote, to view a list of channels saved as favorites.
- 3 Press the **DIRECTION** (▼ ▲) and **ENTER** buttons on the remote to highlight and select a channel to go to.

Parental Controls (V-Chip)

- 1 Press the **SOURCE** button and adjust the INPUT SOURCE to "TV".
- 2 Press the **MENU** button.
- 3 Press the **DIRECTION** (◀ ▶) buttons, select LOCK, and press the **ENTER** button.
- 4 The default passcode for the parental lock is: 0 0 0 0
- 5 Enter the passcode to access the LOCK preferences.
- 6 From this menu, you can lock specific ratings from the United States rating system or the Canadian rating system by turning the SYSTEM LOCK to ON.
- 7 Press the **V-CHIP** button on the remote and enter the passcode to unlock the current channel when browsing television channels.

Miscellaneous

Ideal display refresh rate: 60Hz

Loading and Playing a DVD or CD**Loading a DVD or CD:**

- 1 Press the **SOURCE** button and adjust the INPUT SOURCE to "DVD".
- 2 Gently insert a DVD or CD into the slot-load disc drive, with the label side of the DVD or CD facing the back of the LCD television.

Playing a DVD or CD:

- 3 After the DVD or CD is loaded, it should begin playing automatically.
- 4 If the DVD or CD does not begin playing automatically, press the **PLAY/PAUSE** button.

Programming a DVD or CD

- 1 While a DVD or CD is playing, press the **PROGRAM** button on the remote.
- 2 Enter in the title (T) and chapters (C), or tracks in the order you want them to play.
- 3 Highlight the on-screen PLAY button using the **DIRECTION** (▼ ► ▲ ◀) buttons, and press the **ENTER** button.
- 4 The programmed titles and chapters, or tracks will now play in the designated order.
- 5 To cancel a program, press the **PROGRAM** button, highlight the on-screen CLEAR button using the **DIRECTION** (▼ ► ▲ ◀) buttons, and press the **ENTER** button.

OTHER CONNECTIONS

Connecting a Gaming Console

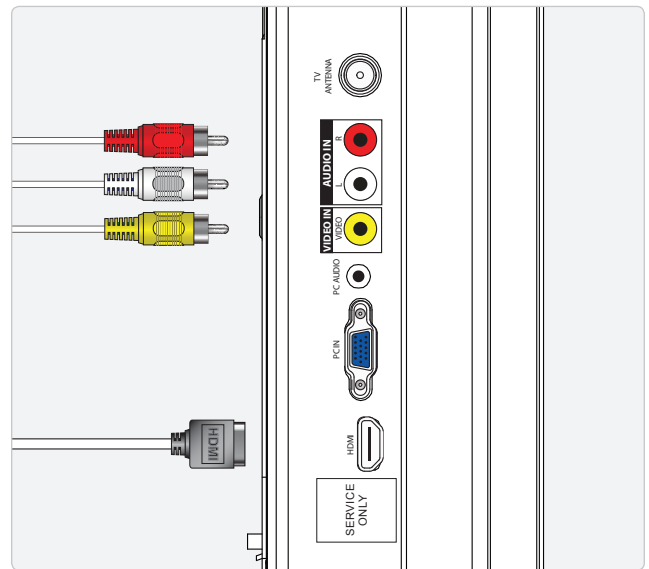
Requires a RCA Audio/Video cable or a HDMI cable, not included.

VIDEO:

- 1 Plug the RCA video cable or the HDMI cable into the RCA video output or HDMI output on a gaming console and the **VIDEO INPUT** or **HDMI INPUT** on the LCD television.

AUDIO:

- 2 Connect the RCA audio cables to the audio output on a gaming console and the **AUDIO INPUT** on the LCD television.



Connecting a PC

Requires a VGA cable, not included.

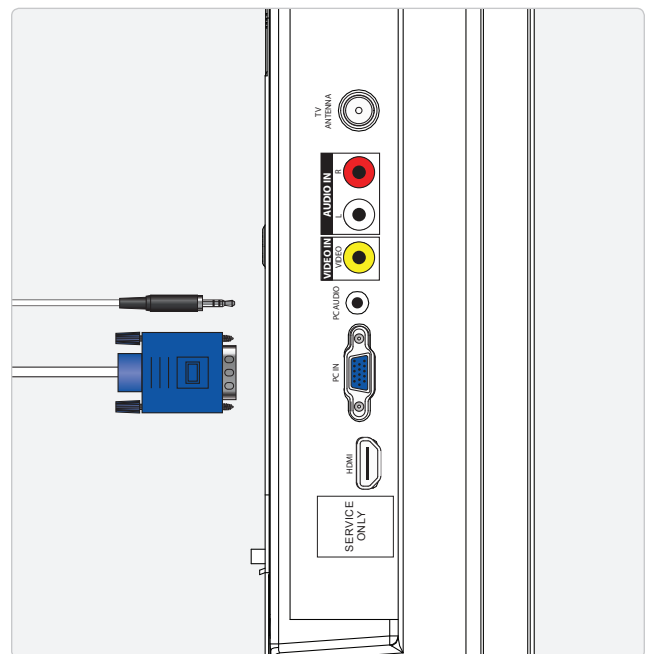
- 1 Power the LCD television on and press the **SOURCE** button to switch to VGA mode.

VIDEO:

- 2 Plug the VGA cable into the VGA output on a computer and the **PC IN** on the LCD television.
- 3 The connected computer should automatically recognize the LCD television as an additional monitor.

AUDIO:

- 4 If your computer has an audio output, it can be connected to the **PC AUDIO INPUT** on the LCD television. This will allow audio from your connected computer to play through the LCD television's speakers.



Advanced PC Options

- 1 Power the LCD television on and press the **SOURCE** button to switch to VGA mode.
- 2 Press the **MENU** button.
- 3 Press the **DIRECTION** (◀ ▶) buttons to select SETUP. Press the **ENTER** button.
- 4 Press the **DIRECTION** (▼ ▲) buttons to select ADVANCED. Press the **ENTER** button.
- 5 Press the **DIRECTION** (▼ ▶ ▲ ◀) buttons to adjust the following screen options.

H-POS

Use to adjust the horizontal position of the screen.

V-POS

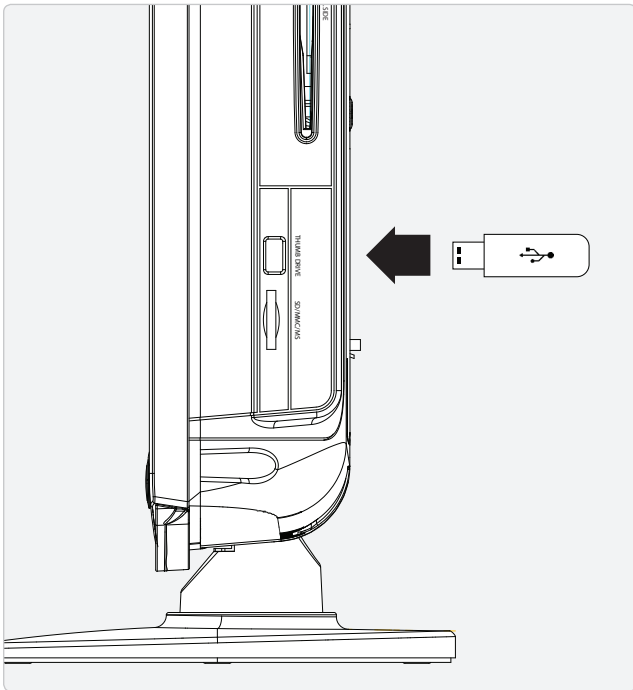
Use to adjust the vertical position of the screen.

CLOCK

Use to prolong the image on the screen.

PHASE

Use to adjust the definition of the screen.



Connecting a USB Thumb Drive

- 1 Plug a USB Thumb Drive into the **THUMB DRIVE CONNECTION** on the side of the LCD television.
- 2 Press the **POWER** button to turn the LCD television on.
- 3 Press the **SOURCE** button to switch to DVD mode.
- 4 Press the **DVD SETUP** button on the remote.
- 5 Press the **DIRECTION** (▼ ▲ ◀ ▶) buttons, select SOURCE, and press the **ENTER** button.
- 6 Press the **DIRECTION** (▼ ▲) buttons, select USB, and press the **ENTER** button.
- 7 Press the **DVD SETUP** button to exit the DVD setup menu.

Playing Media from a USB Thumb Drive

- 1 Press the **DIRECTION** (▼ ▲ ◀ ▶) and **ENTER** buttons to select an audio file, image file, or a video file.

File Compatibility:

AUDIO:

Audio Files

IMAGES:

JPG (Max Size: 1280X1024px)

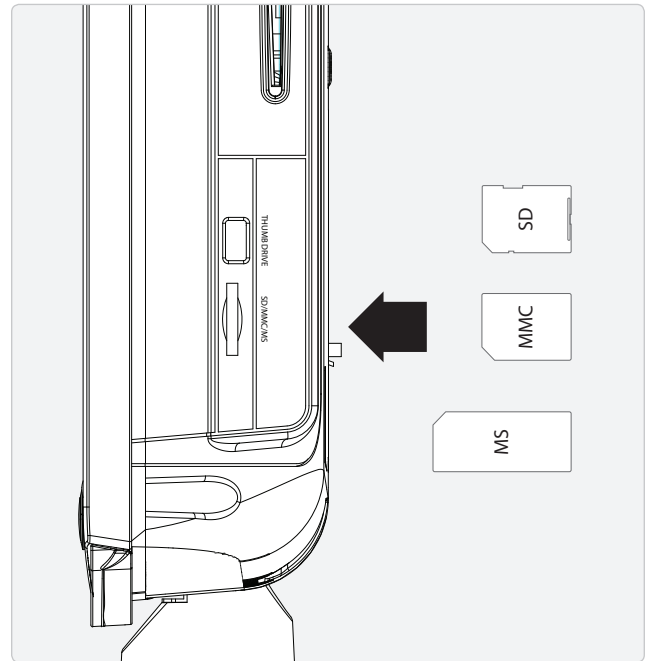
VIDEO:

MPEG-2

MMC/SD/MS MEMORY CARD

Connecting a Memory Card

- 1 Insert the memory card into the **SD/MC/ MMC** slot on the side of the LCD television.
- 2 Press the **POWER** button to turn the LCD television on.
- 3 Press the **SOURCE** button to switch to DVD mode.
- 4 Press the **DVD SETUP** button on the remote.
- 5 Press the **DIRECTION** (▼ ▲ ◀ ▶) buttons, select **SOURCE**, and press the **ENTER** button.
- 6 Press the **DIRECTION** (▼ ▲) buttons, select **CARD**, and press the **ENTER** button.
- 7 Press the **DVD SETUP** button to exit the DVD setup menu.



Playing Media from a Memory Card

- 1 Press the **DIRECTION** (▼ ▲ ◀ ▶) and **ENTER** buttons to select an audio file, image file, or a video file.

File Compatibility:

AUDIO:

Audio Files

IMAGES:

JPG (Max Size: 1280X1024px)

VIDEO:

MPEG-2

COMPANY INFORMATION

Green Initiative

Environmental Commitment to ‘Protect for Today and Sustain for Tomorrow’

2009 marks the official launch of DPI, Inc.’s corporate campaign for a greener and cleaner world. DPI and its four brands, GPX, WeatherX, Capri, and GPX, are building upon environmental initiatives introduced at all of their facilities to help formulate and sustain significant and important conservation efforts within its manufacturing and marketing communities. In addition to targeting and selecting energy efficient product features, and structuring ‘green office’ procedures, other initial program efforts include:

- Reduction of all packaging sizes
- Recyclable plastics for clamshell packages, with a plan to eventually replace plastic with recyclable paper
- Recycled fiber board in place of the polyfoam in packing boxes
- Recycled plastics in place of the virgin material in product construction

International Support

To download this User’s Guide in English, Spanish, or French, visit the support section at www.gpx.com.

Para transferir esta guía de usuario en inglés, español, o francés, visite la sección de la ayuda en www.gpx.com.

Pour télécharger ce guide de l’utilisateur en anglais, espagnol, ou français, visitez la section de soutien chez www.gpx.com.

Contact Information

Address: 2116 Carr Street, St. Louis MO, 63106

Phone: 1-314-621-2881

Fax: 1-314-588-1805

Email: customerservice@gpx.com

Parts Email: partsinfo@dpi-global.com

Website: www.gpx.com

Free Manuals Download Website

<http://myh66.com>

<http://usermanuals.us>

<http://www.somanuals.com>

<http://www.4manuals.cc>

<http://www.manual-lib.com>

<http://www.404manual.com>

<http://www.luxmanual.com>

<http://aubethermostatmanual.com>

Golf course search by state

<http://golfingnear.com>

Email search by domain

<http://emailbydomain.com>

Auto manuals search

<http://auto.somanuals.com>

TV manuals search

<http://tv.somanuals.com>