



USER'S GUIDE
V:1439-0509-11



TE2280B 22" LED HDTV

For the most up-to-date version of this User's Guide, go to www.gpx.com

Warnings and Precautions

CAUTION: TO PREVENT ELECTRIC SHOCK, MATCH WIDE BLADE OF PLUG TO WIDE SLOT, FULLY INSERT.

WARNING: To reduce the risk of fire or electric shock, do not expose this apparatus to rain or moisture.

AVERTISSEMENT: Pour réduire le risque d'incendie ou de choc électrique, ne pas exposer cet appareil sous la pluie et l'humidité.

CAUTION: Use of any controls or adjustments or performance of procedures other than those herein specified may result in hazardous radiation exposure.

WARNING: Changes or modifications to this unit not expressly approved by the party responsible for compliance could void the user's authority to operate the equipment.

WARNING: Do not place the unit on top of any soft, porous, or sensitive surfaces to avoid damaging the surface. Use a protective barrier between the unit and surface to protect the surface.

WARNING: Use of this unit near fluorescent lighting may cause interference regarding use of the remote. If the unit is displaying erratic behavior move away from any fluorescent lighting, as it may be the cause.

CAUTION: Danger of explosion if battery is incorrectly replaced. Replace only with the same or equivalent type.

PRÉCAUTION: *Danger d'explosion si les piles sont remplacées de façon incorrect. Remplacer les piles seulement par le même type de pile ou l'équivalent.*

WARNING: There is a danger of explosion if you attempt to charge standard Alkaline batteries in the unit. Only use rechargeable NiMH batteries.

WARNING: The battery, batteries, and battery pack shall not be exposed to excessive heat such as sunshine, fire, or the like.

WARNING: Lithium batteries, like all rechargeable batteries are recyclable and should be recycled or disposed of in normal household waste. Contact your local government for disposal or recycling practices in your area. They should never be incinerated since they might explode.

WARNING: Shock hazard - Do Not Open.

AVIS: *RISQUE DE CHOC ÉLECTRIQUE - NE PAS OUVRIR*

Mains Plug or Direct plug-in adapter is used as disconnect device and it should remain readily operable during intended use. In order to disconnect the apparatus from the mains completely, the Mains Plug or Direct plug-in adapter should be disconnected from the mains socket outlet completely.

La fiche d'alimentation ou adaptateur de courant est utilisé comme dispositif de déconnexion et doit rester accessible pendant l'utilisation. Pour mettre l'appareil hors tension, la fiche ou adaptateur de courant doit être débranché de la prise de courant.

Do not mix old and new batteries.

Do not mix alkaline, standard (carbon-zinc), or rechargeable (ni-cad, ni-mh, etc) batteries.

No mezcle baterías viejas y nuevas.

No mezcle baterías alcalinas, estándar (carbóno-zinc) o recargables (ni-cad, ni-mh, etc.).



WARNING: TO REDUCE THE RISK OF ELECTRIC SHOCK, DO NOT REMOVE COVER (OR BACK). NO USER-SERVICEABLE PARTS INSIDE. REFER SERVICING TO QUALIFIED SERVICE PERSONNEL.




The lightning flash with arrowhead symbol, within an equilateral triangle, is intended to alert the user to the presence of uninsulated "dangerous voltage" within the product's enclosure that may be of sufficient magnitude to constitute a risk of electric shock to persons.



The exclamation point within an equilateral triangle is intended to alert the user to the presence of important operating and maintenance (servicing) instructions in the literature accompanying the appliance.

Important Safety Instructions

1. Read these Instructions.
2. Keep these Instructions.
3. Heed all Warnings.
4. Follow all instructions.
5. Do not use this apparatus near water.
6. Clean only with a dry cloth.
7. Do not block any ventilation openings. Install in accordance with the manufacturer's instructions.
8. Do not install near any heat sources such as radiators, heat registers, stoves, or other apparatus (including amplifiers) that produce heat.
9. Do not defeat the safety purpose of the polarized or grounding - type plug. A polarized plug has two blades with one wider than the other. A grounding type plug has two blades and a third grounding prong. The wide blade or the third prong are provided for your safety. When the provided plug does not fit into your outlet, consult an electrician for replacement of the obsolete outlet.
10. Protect the power cord from being walked on or pinched particularly at plugs, convenience receptacles, and the point where they exit from the apparatus.
11. Only use attachments/accessories specified by the manufacturer.

-
12.  Use only with a cart, stand, tripod, bracket, or table specified by the manufacturer, or sold with the apparatus. When a cart is used, use caution when moving the cart/apparatus combination to avoid injury from tip-over.
-

13. Unplug this apparatus during lightning storms or when unused for long periods of time.
14. Refer all servicing to qualified service personnel. Servicing is required when the apparatus has been damaged in any way, such as power-supply cord or plug is damaged, liquid has been spilled or objects have fallen into the apparatus, the apparatus has been exposed to rain or moisture, does not operate normally, or has been dropped.

Special note: When placing your unit on a lacquered or natural finish, protect your furniture with a cloth or other protective material.

FCC Warnings

WARNING: Changes or modifications to this unit not expressly approved by the party responsible for compliance could void the user's authority to operate the equipment.

NOTE: This equipment has been tested and found to comply with the limits for a Class B digital device, pursuant to Part 15 of the FCC Rules. These limits are designed to provide reasonable protection against harmful interference in a residential installation. This equipment generates, uses, and can radiate radio frequency energy and, if not installed and used in accordance with the instructions, may cause harmful interference to radio communications. However, there is no guarantee that interference will not occur in a particular installation. If this equipment does cause harmful interference to radio or television reception, which can be determined by turning the equipment off and on, the user is encouraged to try to correct the interference by one or more of the following measures:

- Reorient or relocate the receiving antenna.
- Increase the separation between the equipment and receiver.
- Connect the equipment into an outlet on a circuit different from that to which the receiver is connected.
- Consult the dealer or an experienced radio/TV technician for help.

Additional Warnings

The apparatus shall not be exposed to dripping or splashing and that no objects filled with liquids, such as vases, shall be placed on apparatus.

L'appareil ne doit pas être exposé aux écoulements ou aux éclaboussures et aucun objet ne contenant de liquide, tel qu'un vase, ne doit être placé sur l'objet.

Battery shall not be exposed to excessive heat such as sunshine, fire or the like.

Les piles ne doivent pas être exposées à de forte chaleur, tel qu'à la lumière du soleil, au feu ou autres choses de semblable.

Caution marking is located at the rear or bottom of the apparatus.

Attention marquage est situé sur le panneau arrière ou inférieur de l'unité.

The marking information is located at the rear or bottom of apparatus.

Le marquage est situé sur le panneau arrière ou inférieur de l'unité.



This symbol indicates that this product incorporates double insulation between hazardous mains voltage and user accessible parts.

22" LED HDTV

Features

- 22" LED HDTV
- High definition 1920 x 1080 resolution
- 1000:1 contrast ratio
- 250 cd/m² brightness
- Built-in digital HDTV tuner
- Electronic Program Guide (EPG)
- V-chip & closed captioning
- HDMI input
- RF input
- Optical audio output
- Component video input
- VGA input
- USB port
- Full feature remote control
- Multi-language OSD
- Adjustable sleep timer
- Built-in dynamic speakers
- Headphone jack
- DC power input: requires an AC/DC power adapter (included)

Includes

- AC/DC power adapter
- Removable stand and 4 screws
- Remote control: requires 2, AAA-size, batteries (included)

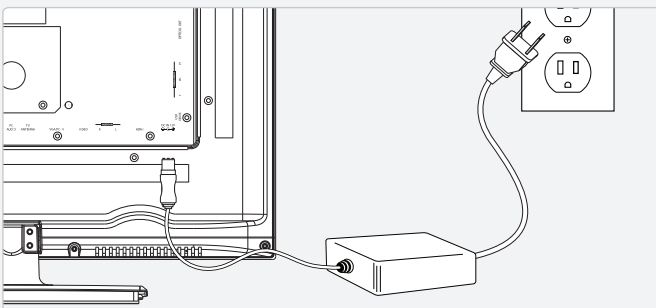
* Please note, LCD panel specifications are subject to change without notice.

* Some pixels may be visible on the screen, appearing as tiny red, green, blue or black spots. This is normal and is not a defect on the TV nor does it negatively affect the performance.

Setup

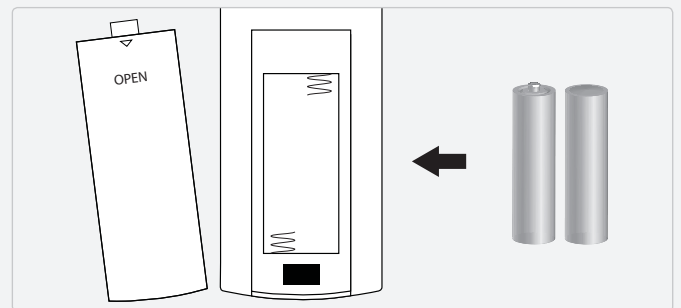
Power

DC power input: requires an AC/DC power adapter (included)



Remote

Requires 2, AAA-size, batteries (included)



TV Stand

Use a philips-head screwdriver to tighten or remove the screws.
Using a power drill could damage the TV stand.

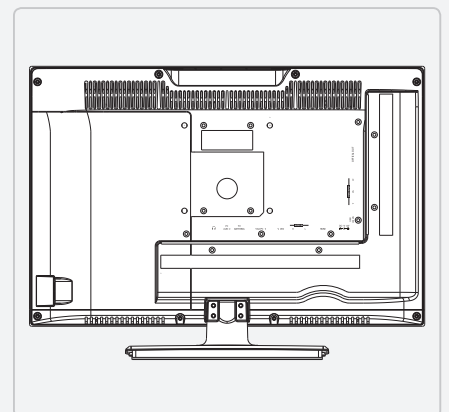
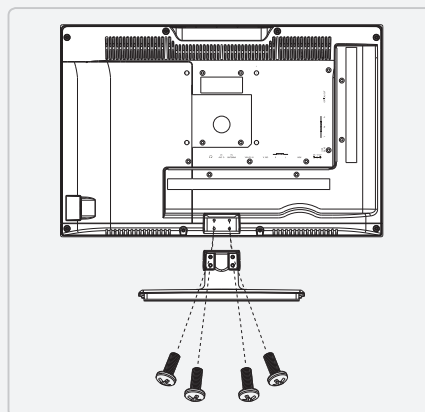
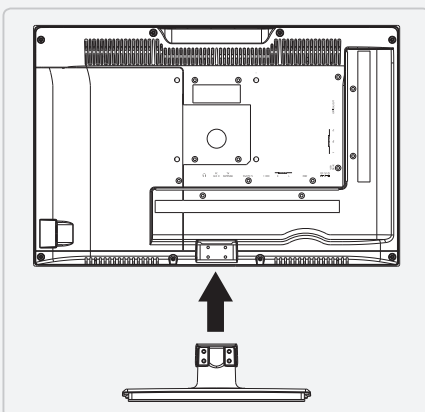
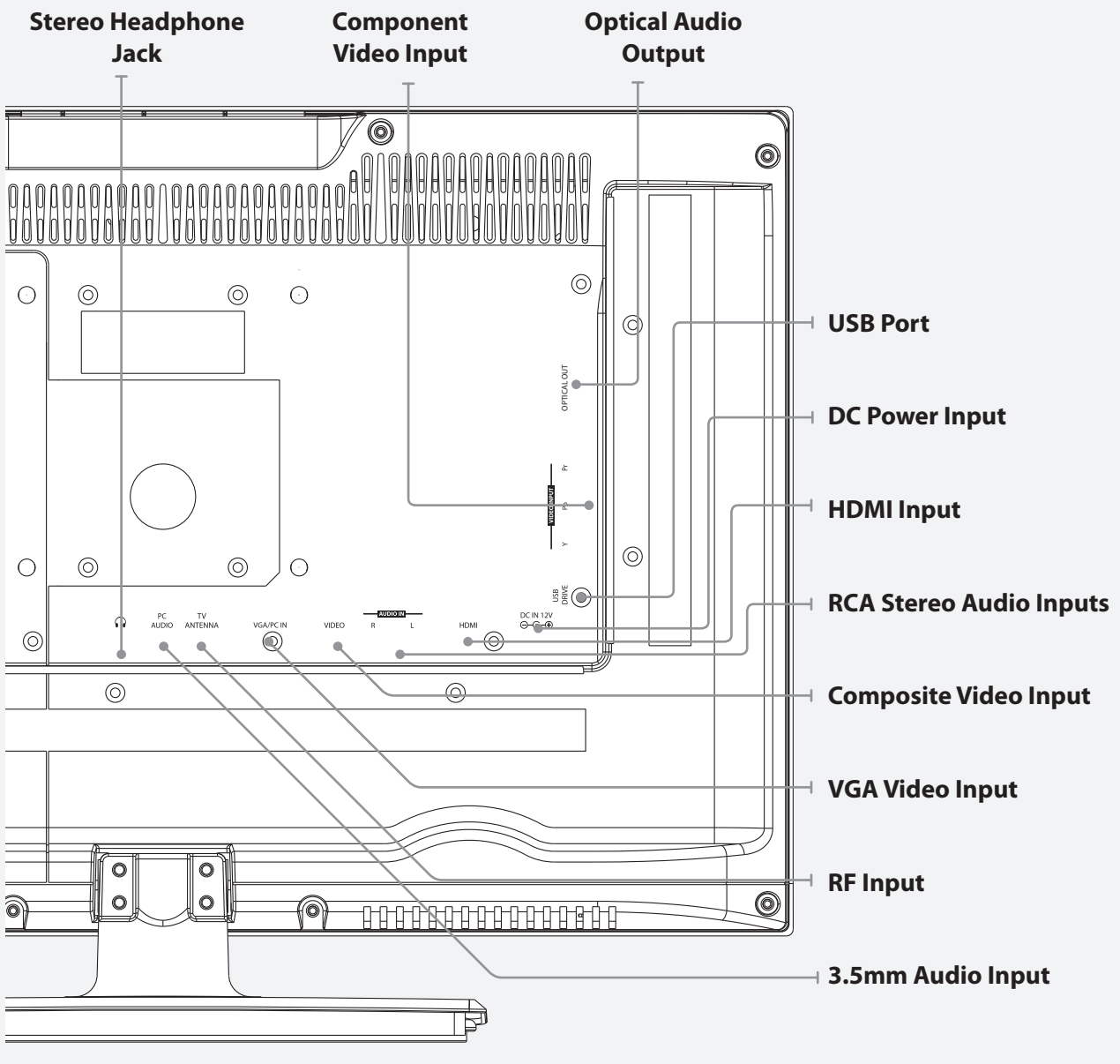
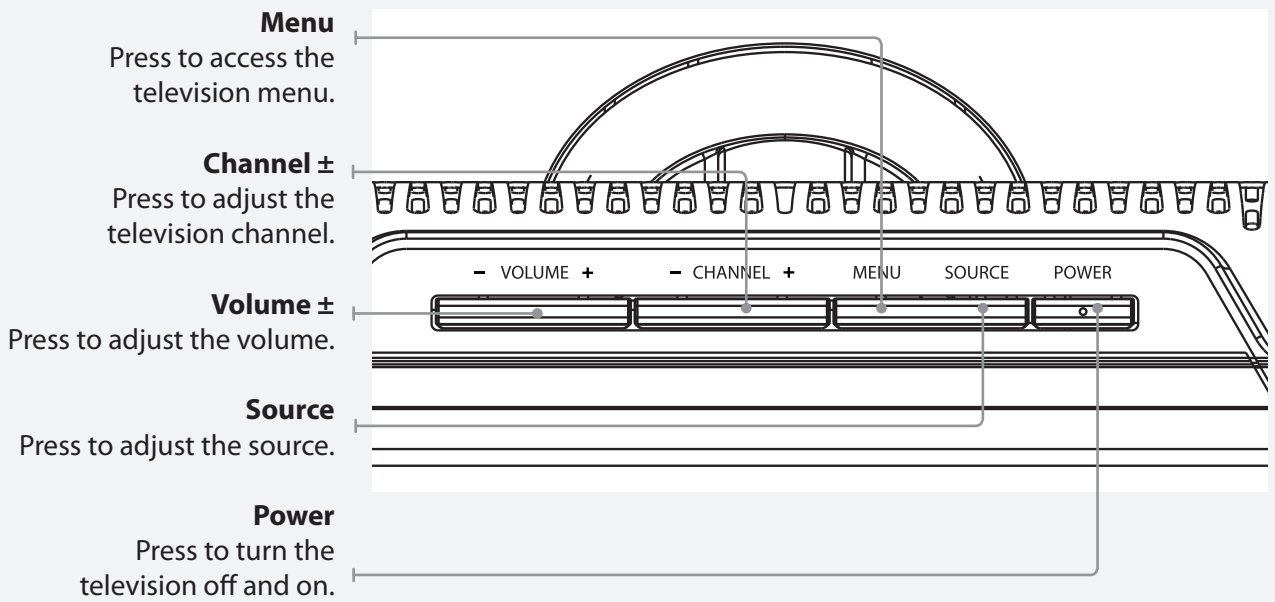
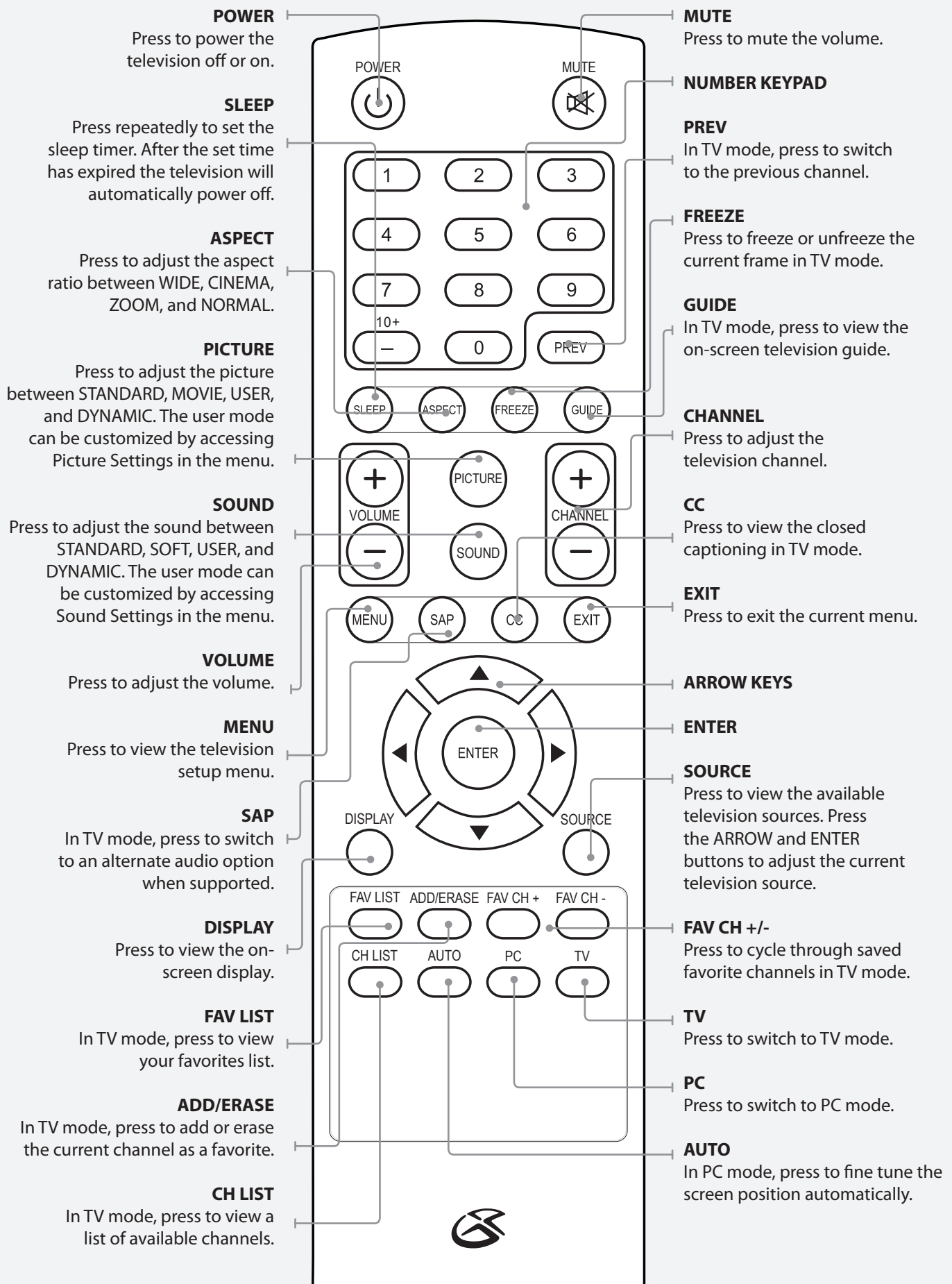


Table of Contents

Warnings and Precautions	2
Important Safety Instructions	3
22" LED HDTV	4
Features	
Setup	4
Power	
TV Stand	
Remote	
Includes	
Table of Contents	5
Introduction	6
Setup	8
Connecting a TV Antenna	
Connecting a Set-Top Box	
Auto Scanning for Channels	
Connecting Basic Cable	
Basic Operations	9
Channel List View	
Adding Favorites	
Viewing Favorites	
Setting the Clock	
Parental Controls (V-Chip)	
Television Menu	
Connecting Other Devices	10
(Set-Top Box, Gaming Device, DVD Player, or VCR)	10
Connecting a Set-Top Box	
Connecting a Gaming Device	
Connecting a DVD Player or VCR	
Connecting Other Devices	11
(Computer, Optical Audio Output, and USB Thumb Drive)	11
Connecting a Computer	
Using the Optical Audio Output	
Connecting a USB Thumb Drive	
Connecting a USB Thumb Drive	
Company Information	12
International Support	
Contact Information	
Green Initiative	

Introduction





Setup

Connecting a TV Antenna

Requires a TV antenna (not included).

1. Connect a VHF, UHF, or HDTV antenna to the **RF INPUT** on the television.
2. Press the **SOURCE** button to switch to TV mode.
3. Press the **MENU** button to access the setup menu.
4. Press the **ARROW** (◀ ▶) buttons to highlight the CHANNEL icon. Press the **ENTER** button.
5. Press the **ARROW** (▼ ▲) buttons to highlight SIGNAL TYPE. Press the **ARROW** (◀ ▶) buttons to select AIR.
6. Press the **ARROW** (▼ ▲) buttons to highlight AUTO CHANNEL SEARCH. Press the **ENTER** button to begin scanning for available channels.

Connecting Basic Cable

Requires a cable connection.

1. Connect a cable to the **RF INPUT** on the television.
2. Press the **SOURCE** button to switch to TV mode.
3. Press the **MENU** button to access the setup menu.
4. Press the **ARROW** (◀ ▶) buttons to highlight the CHANNEL icon. Press the **ENTER** button.
5. Press the **ARROW** (▼ ▲) buttons to highlight SIGNAL TYPE. Press the **ARROW** (◀ ▶) buttons to select CABLE.
6. Press the **ARROW** (▼ ▲) buttons to highlight AUTO CHANNEL SEARCH. Press the **ENTER** button to begin scanning for available channels.

Connecting a Set-Top Box

Requires a Set-Top Box (not included).

If your Set-Top Box has an HDMI Output:

- Connect the HDMI output on the Set-Top Box to the **HDMI INPUT** on the television using an HDMI cable (not included).

If your Set-Top Box has a Composite Video Output:

- Connect the video output on the Set-Top Box to the **COMPOSITE VIDEO INPUT** on the television using an A/V RCA cable (not included). Connect the audio output on the Set-Top Box to the **RCA AUDIO INPUT** on the television.

If your Set-Top Box has a Component Video Output:

- Connect the component video output on the Set-Top Box to the **COMPONENT VIDEO INPUT** on the television using a component RCA cable (not included). Connect the audio output on the Set-Top Box to the **RCA AUDIO INPUT** on the television.

After connecting your Set-Top Box:

- Press the **SOURCE** button to switch to YPBPR, AV, or HDMI to match the connection used.

Auto Scanning for Channels

The Auto Channel Scan must be run before any channels can be viewed on the television.

1. Press the **SOURCE** button to switch to TV mode.
2. Press the **MENU** button to access the setup menu.
3. Press the **ARROW** (◀ ▶) buttons to highlight the CHANNEL icon. Press the **ENTER** button.
4. Press the **ARROW** (▼ ▲) buttons to highlight SIGNAL TYPE. Press the **ARROW** (◀ ▶) buttons to select AIR.
5. Press the **ARROW** (▼ ▲) buttons to highlight AUTO CHANNEL SEARCH. Press the **ENTER** button to begin scanning for available channels.

Basic Operations

Channel List View

1. Press the **SOURCE** button to switch to TV mode.
2. Press the **CH LIST** button, on the remote, to view a list of available channels.

Unless you are using a Set-Top Box, you must auto scan for channels before being able to view channels in list view.

Adding Favorites

1. Press the **SOURCE** button to switch to TV mode.
2. Press the **CHANNEL** buttons to select the desired TV channel.
3. Press the **ADD/ERASE** button to add or erase the current channel as a favorite.

Viewing Favorites

1. Press the **SOURCE** button to switch to TV mode.
2. Press the **FAV LIST** button to view a list of your saved favorites.

Setting the Clock

1. Press the **MENU** button to access the setup menu.
2. Press the **ARROW** (◀ ▶) buttons to highlight the **SETUP** icon. Press the **ENTER** button.
3. Press the **ARROW** (▼ ▲) buttons to highlight **CLOCK**. Press the **ENTER** button.
4. Press the **ARROW** (▼ ▲) buttons to highlight **TIME ZONE**. Press the **ARROW** (◀ ▶) buttons to select your current time zone.
5. Press the **ARROW** (▼ ▲) buttons to highlight **AUTO CLOCK**. Press the **ARROW** (◀ ▶) buttons to turn auto clock off and on.

When the correct time zone is set, auto clock will automatically set your clock and date for you.

6. To set the time and date manually, turn auto clock off, highlight **SETUP TIME**, and use the **ARROW** and **ENTER** buttons to manually set the time and date.

Parental Controls (V-Chip)

1. Press the **SOURCE** button to switch to TV mode.
2. Press the **MENU** button.
3. Press the **ARROW** (◀ ▶) buttons, highlight **PARENTAL**, and press the **ENTER** button.
4. The default passcode for the parental lock is:
0 0 0 0
5. Enter the passcode to access the **PARENTAL CONTROL** preferences.
6. From this menu, you can lock specific ratings from the United States rating system or the Canadian rating system by accessing the **V-CHIP** settings. You can also lock the buttons on the television or lock specific sources from access.

Television Menu

Press the **MENU** button to access the TV menu. Press the **EXIT** button to exit the TV menu.

Picture

Picture Settings
Screen Size
PC Settings
Color Temperature
Advanced Picture Settings

Sound

Sound Settings
Surround Mode
Analog Sound
Digital Sound
Other Settings

Channel

Channel List
Favorite List
Channel Setting
Signal Type
Auto Channel Search

Parental

Lock Parental Control
V-Chip
Change Password
Keypad Lock
Source Lock

Setup

Closed Caption
Menu Language
Clock

Others

Blue Back
No Signal Power Off
No Operation Power Off
All Reset
Audio Only

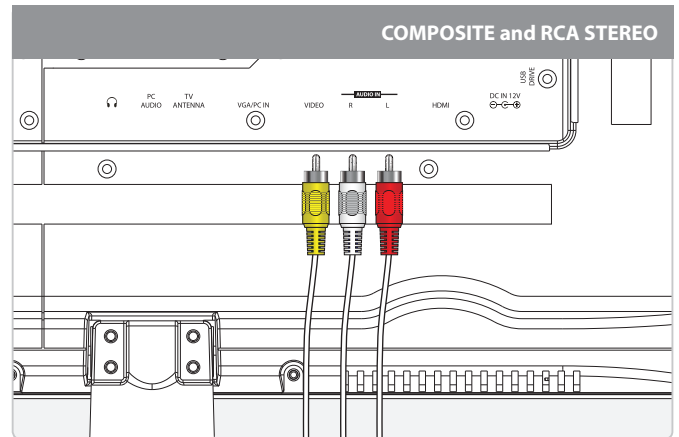
Connecting Other Devices

(Set-Top Box, Gaming Device, DVD Player, or VCR)

Connecting a Set-Top Box

You will need: a set-top box, composite and RCA stereo cables or component and RCA stereo cables or an HDMI cable. (not included)

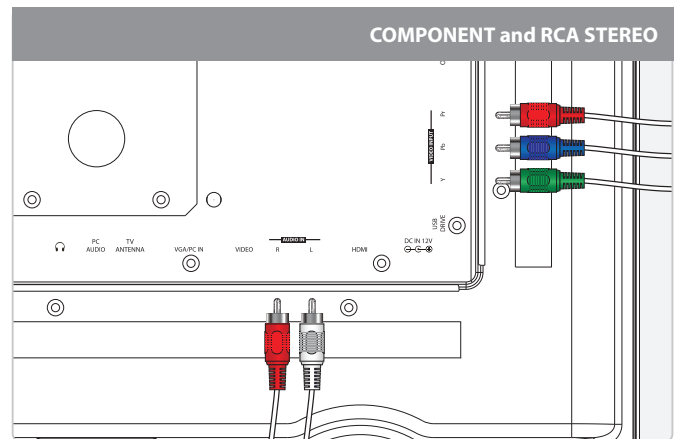
1. Connect the set-top box's *audio and video outputs* to the corresponding audio and video inputs on the television.
2. Power the television on and press the **SOURCE** button to switch to the connected input. (AV (composite), YPbPr (component), or HDMI)



Connecting a Gaming Device

You will need: a gaming device, composite and RCA stereo cables or component and RCA stereo cables or an HDMI cable. (not included)

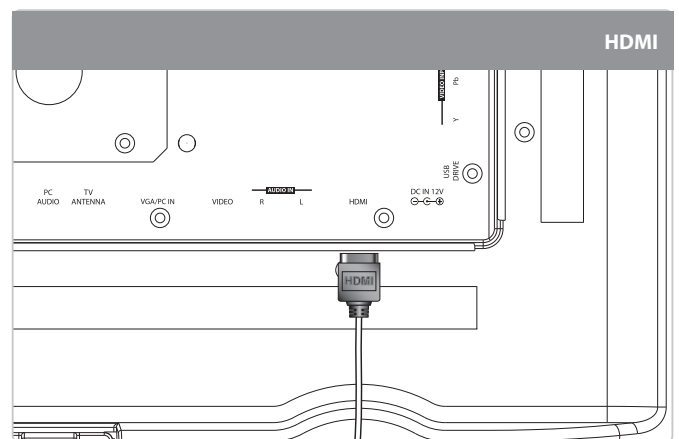
1. Connect the gaming device's *audio and video outputs* to the corresponding audio and video inputs on the television.
2. Power the television on and press the **SOURCE** button to switch to the connected input. (AV (composite), YPbPr (component), or HDMI)



Connecting a DVD Player or VCR

You will need: a DVD player or VCR, composite and RCA stereo cables or component and RCA stereo cables or an HDMI cable. (not included)

1. Connect the DVD player or VCR's *audio and video outputs* to the corresponding audio and video inputs on the television.
2. Power the television on and press the **SOURCE** button to switch to the connected input. (AV (composite), YPbPr (component), or HDMI)



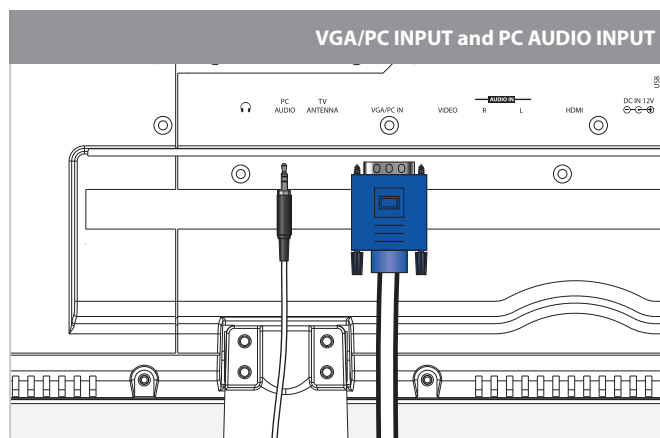
Connecting Other Devices

(Computer, Optical Audio Output, and USB Thumb Drive)

Connecting a Computer

You will need: a PC with a VGA output, and a VGA cable. (not included)

1. Connect the computer's **VGA output** to the **VGA/PC INPUT** on the television.
2. Power the television on and press the **SOURCE** button to switch to the **PC Mode**.
3. Audio from the connected PC can be input to the television through the TV's **PC AUDIO INPUT** by using a 3.5mm audio cable (not included).



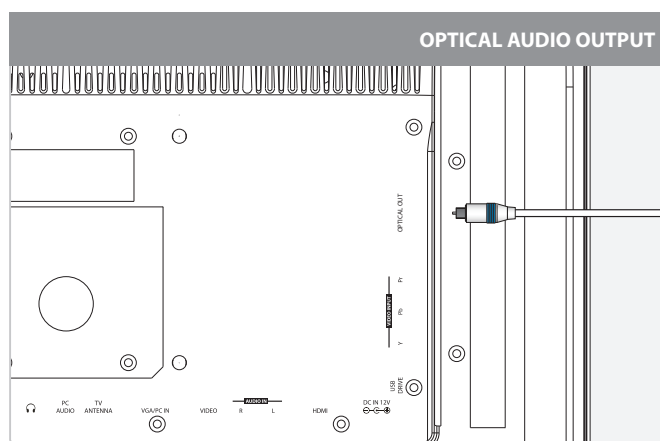
Using the Optical Audio Output

You will need: a (home theater) with an Optical Audio Input and a Digital Optical Audio Cable (not included)

1. Connect the Digital Optical Audio Cable to the (home theater system) and the television.
2. Adjust the settings on your (home theater) to play audio from the connected Optical Audio Input.

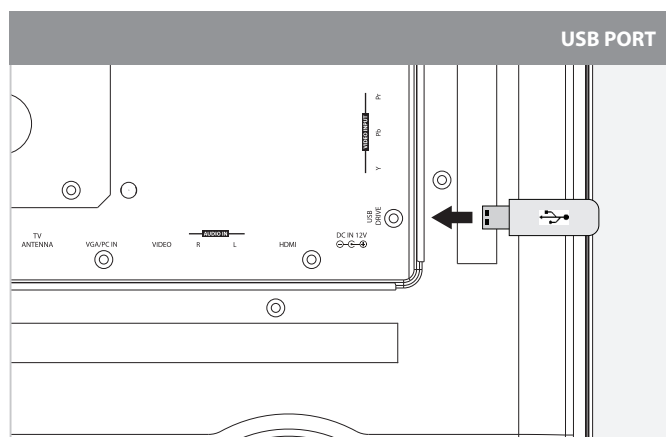
Please note: home theater systems may label the Optical Audio Input source differently, such as "PCM", or "Digital Audio Input". Please consult your home theater system's user manual in order to select the correct input source.

3. Audio from the television will now be played through the connected (home theater system).



Connecting a USB Thumb Drive

1. Load a USB thumb drive into the **USB PORT** as shown in the image to the right.



Connecting a USB Thumb Drive

1. Follow the instructions for Connecting a USB thumb drive.
2. Press the **SOURCE** button to switch to Media mode.
3. Use the **ARROW** and **ENTER** buttons to select and play content from the connected USB thumb drive.
4. Press the **EXIT** button to return to the media menu.

The USB port can also be used to upgrade the televisions firmware. For detailed instructions and the latest software, go to www.gpx.com

Company Information

International Support

To download this User's Guide in English, Spanish, or French, visit the support section at www.gpx.com.

Para transferir esta guía de usuario en inglés, español, o francés, visite la sección de la ayuda en www.gpx.com.

Pour télécharger ce guide de l'utilisateur en anglais, espagnol, ou français, visitez la section de soutien chez www.gpx.com.

Contact Information

Phone: 1-888-999-4215

Email: prodinfo@gpx.com

Parts Email: partsinfo@dpi-global.com

Website: www.gpx.com

Green Initiative



Environmental Commitment to 'Protect for Today and Sustain for Tomorrow'

2009 marked the official launch of DPI, Inc.'s corporate campaign for a greener and cleaner world. DPI is building upon environmental initiatives introduced at all of their facilities to help formulate and sustain significant and important conservation efforts within its manufacturing and marketing communities. In addition to targeting and selecting energy efficient product features, and structuring 'green office' procedures, other initial program efforts include:

- Reduction of all packaging sizes
- Recyclable plastics for clamshell packages, with a plan to eventually replace plastic with recyclable paper
- Recycled fiber board in place of the polyfoam in packing boxes
- Recycled plastics in place of the virgin material in product construction

Free Manuals Download Website

<http://myh66.com>

<http://usermanuals.us>

<http://www.somanuals.com>

<http://www.4manuals.cc>

<http://www.manual-lib.com>

<http://www.404manual.com>

<http://www.luxmanual.com>

<http://aubethermostatmanual.com>

Golf course search by state

<http://golfingnear.com>

Email search by domain

<http://emailbydomain.com>

Auto manuals search

<http://auto.somanuals.com>

TV manuals search

<http://tv.somanuals.com>