

# GENERAC<sup>®</sup>

POWER SYSTEMS, INC.

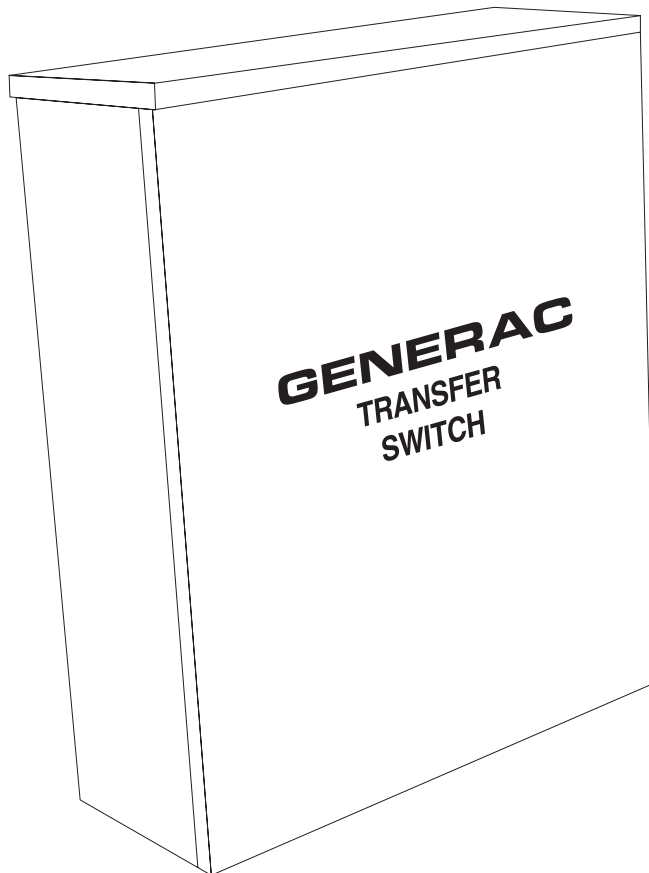
## Owner's Manual

GTS "W" Type

**Automatic  
Transfer Switch**

200 Amp, 250 Volts

Model Nos. 004635-1  
004635-2



**This manual should remain with the unit.**



**⚠** *Read the following information carefully before attempting to install, operate or service this equipment. Also read the instructions and information on tags, decals, and labels that may be affixed to the transfer switch. Replace any decal or label that is no longer legible.*

**⚠** **DANGER!** *Connection of a generator to an electrical system normally supplied by an electric utility shall be by means of suitable transfer equipment so as to isolate the electric system from utility distribution system when the generator is operating (Article 701 Legally Required Standby Systems or Article 702 Optional Standby Systems, as applicable). Failure to isolate electric system by these means may result in damage to generator and may result in injury or death to utility workers due to backfeed of electrical energy.*

Generac cannot possibly anticipate every possible circumstance that might involve a hazard. The warnings in this manual, and on tags and decals affixed to the unit are, therefore, not all-inclusive. If you use a procedure, work method or operating technique Generac does not specifically recommend, satisfy yourself that it is safe for you and others. Also must make sure the procedure, work method or operating technique that is used does not render the transfer switch unsafe.

Throughout this publication, and on tags and decals affixed to the generator, DANGER, WARNING, CAUTION and NOTE blocks are used to alert personnel to special instruction about a particular operation that may be hazardous if performed incorrectly or carelessly. Observe them carefully. The definitions are as follows:

— **⚠ DANGER ⚠** —

After this heading, read instructions that, if not strictly complied with, will result in personal injury or property damage.

— **⚠ WARNING ⚠** —

After this heading, read instructions that, if not strictly complied with, may result in personal injury or property damage.

— **⚠ CAUTION ⚠** —

After this heading, read instructions that, if not strictly complied with, could result in damage to equipment and/or property.

**NOTE:**

After this heading, read explanatory statements that require special emphasis.

These safety warnings cannot eliminate the hazards that they indicate. Common sense and strict compliance with the special instructions while performing the service are essential to preventing accidents.

Four commonly used safety symbols accompany the DANGER, WARNING and CAUTION blocks. The type of information each indicates follows:

- ⚠** This symbol points out important safety information that, if not followed, could endanger personal safety and/or property of others.
- 💣** This symbol points out potential explosion hazard.
- 🔥** This symbol points out potential fire hazard.
- ⚡** This symbol points out potential electrical shock hazard.

**⚠ GENERAL HAZARDS ⚠**

- Any AC generator that is used for backup power if a NORMAL (utility) power source failure occurs, must be isolated from the NORMAL (utility) power source by means of an approved transfer switch. Failure to properly isolate the NORMAL and STANDBY power sources from each other may result in injury or death to electric utility workers, due to backfeed of electrical energy.
- Improper or unauthorized installation, operation, service or repair of the equipment is extremely dangerous and may result in death, serious personal injury, or damage to equipment and/or personal property.
- Extremely high and dangerous power voltages are present inside an installed transfer switch. Any contact with high voltage terminals, contacts or wires will result in extremely hazardous, and possibly LETHAL, electric shock. **DO NOT WORK ON THE TRANSFER SWITCH UNTIL ALL POWER VOLTAGE SUPPLIES TO THE SWITCH HAVE BEEN POSITIVELY TURNED OFF.**
- Competent, qualified personnel should install, operate and service this equipment. Adhere strictly to local, state and national electrical and building codes. When using this equipment, comply with regulations the National Electrical Code (NEC), CSA Standard; C22.1 Canadian Electric Code and Occupational Safety and Health Administration (OSHA) have established.
- Never handle any kind of electrical device while standing in water, while barefoot, or while hands or feet are wet. **DANGEROUS ELECTRICAL SHOCK MAY RESULT.**

- Because jewelry conducts electricity, wearing it may cause dangerous electrical shock. Remove all jewelry (such as rings, watches, bracelets, etc.) before working on this equipment.
- If work must be done on this equipment while standing on metal or concrete, place insulative mats over a dry wood platform. Work on this equipment only while standing on such insulative mats.
- Never work on this equipment while physically or mentally fatigued.
- Keep the transfer switch enclosure door closed and bolted at all times. Only qualified personnel should be permitted access to the switch interior.
- In case of an accident caused by electric shock, immediately shut down the source of electrical power. If this is not possible, attempt to free the victim from the live conductor but AVOID DIRECT CONTACT WITH THE VICTIM. Use a nonconducting implement, such as a rope or board, to free the victim from the live conductor. If the victim is unconscious, apply first aid and get immediate medical help.
- When an automatic transfer switch is installed for a standby generator set, the generator engine may crank and start at any time without warning. To avoid possible injury that might be caused by such sudden start-ups, the system's automatic start circuit must be disabled before working on or around the generator or transfer switch. Turn the generator's AUTO-OFF-MANUAL switch to OFF. Turn the generator's main circuit breaker OFF. Then place a "DO NOT OPERATE" tag on the transfer switch and on the generator. Remove the Negative (Neg) or (-) battery cable.

**Safety Rules.....Inside Front Cover**

**Section 1 – General Information .....2**

1.1 Introduction .....2

1.2 Equipment Description .....2

1.3 Transfer Switch Data Decal.....2

1.4 Transfer Switch Enclosure .....2

1.5 Safe Use Of Transfer Switch .....2

**Section 2 – Installation .....3**

2.1 Introduction to Installation .....3

2.2 Unpacking .....3

2.3 Mounting .....3

2.4 Connecting Power Source and Load Lines.....3

    2.4.1 2-Pole Mechanism .....3

    2.4.2 3-Pole Mechanism .....3

2.5 Connecting Start Circuit Wires .....4

2.6 Auxiliary Contacts .....4

**Section 3 – Operation .....5**

3.1 Functional Tests & Adjustments .....5

3.2 Manual Operation .....5

    3.2.1 Close to Normal Source Side .....5

    3.2.2 Close to Emergency Source Side.....5

    3.2.3 Return to Normal Source Side .....5

3.3 Voltage Checks.....5

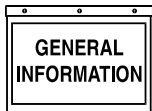
3.4 Generator Tests Under Load .....7

**Section 4 – Mounting Dimensions .....8**

**Section 5 – Electrical Data .....9**

**Section 6 – Exploded Views & Parts Lists .....14**

**Section 7 – Warranty .....Back Cover**



## Section 1 – General Information

### Generac GTS “W” Type Transfer Switch

#### 1.1 INTRODUCTION

This manual has been prepared especially for the purpose of familiarizing personnel with the design, application, installation, operation and servicing of the applicable equipment. Read the manual carefully and comply with all instructions. This will help to prevent accidents or damage to equipment that might otherwise be caused by carelessness, incorrect application, or improper procedures.

Every effort has been expended to make sure that the contents of this manual are both accurate and current. Generac, however, reserves the right to change, alter or otherwise improve the product at any time without prior notice.

#### 1.2 EQUIPMENT DESCRIPTION

The automatic transfer switch is used for transferring critical electrical load from a UTILITY (Normal) power source to a EMERGENCY (Standby generator) power source. Such a transfer of electrical loads occurs automatically when the UTILITY power source has failed or is substantially reduced and the EMERGENCY source voltage and frequency have reached an acceptable level. The transfer switch prevents electrical feedback between two different power sources (such as the UTILITY and EMERGENCY sources) and, for that reason, codes require it in all standby electric system installations.

#### 1.3 TRANSFER SWITCH DATA DECAL

A DATA DECAL is permanently affixed to the transfer switch enclosure. Use this transfer switch only with the specific limits shown on the DATA DECAL and on other decals and labels that may be affixed to the switch. This will prevent damage to equipment and property.

When requesting information or ordering parts for this equipment, make sure to include all information from the DATA DECAL.

Record the Model and Serial numbers in the space provided below for future reference.

MODEL #
SERIAL #

#### 1.4 TRANSFER SWITCH ENCLOSURE

The standard switch enclosure is a National Electrical Manufacturer’s Association (NEMA) 3R type. NEMA 3R type enclosures primarily provide a degree of protection against falling rain and sleet; undamaged by the formation of ice on the enclosure.

#### 1.5 SAFE USE OF TRANSFER SWITCH

Before installing, operating or servicing this equipment, read the SAFETY RULES (inside front cover) carefully. Comply strictly with all SAFETY RULES to prevent accidents and/or damage to the equipment. Generac recommends a copy of the SAFETY RULES are made and posted near the transfer switch. Also, be sure to read all instructions and information found on tags, labels and decals affixed to the equipment.

Two publications that outline the safe use of transfer switches are the following:

- NFPA 70; National Electrical Code
- UL 1008, STANDARD FOR SAFETY-AUTOMATIC TRANSFER SWITCHES



## 2.1 INTRODUCTION TO INSTALLATION

This equipment has been wired and tested at the factory. Installing the switch includes the following procedures:

- Mounting the enclosure.
- Connecting utility and generator power source leads.
- Connecting the load leads.
- Connecting the generator sensing leads.
- Connecting any auxiliary contact (if needed)
- Installing/connecting any options and accessories.
- Testing functions.

## 2.2 UNPACKING

Carefully unpack the transfer switch. Inspect closely for any damage that might have occurred during shipment. The purchaser must file with the carrier any claims for loss or damage incurred while in transit.

Check that all packing material is completely removed from the switch prior to installation.

## 2.3 MOUNTING

Mounting dimensions for the transfer switch enclosure are in this manual. Enclosures are typically wall-mounted. See “Mounting Dimensions” on page 8.



Handle transfer switches carefully when installing. Do not drop the switch. Protect the switch against impact at all times, and against construction grit and metal chips. Never install a transfer switch that has been damaged.

Install the transfer switch as close as possible to the electrical loads that are to be connected to it. Mount the switch vertically to a rigid supporting structure. To prevent switch distortion, level all mounting points. If necessary, use washers behind mounting holes to level the unit.

## 2.4 CONNECTING POWER SOURCE AND LOAD LINES



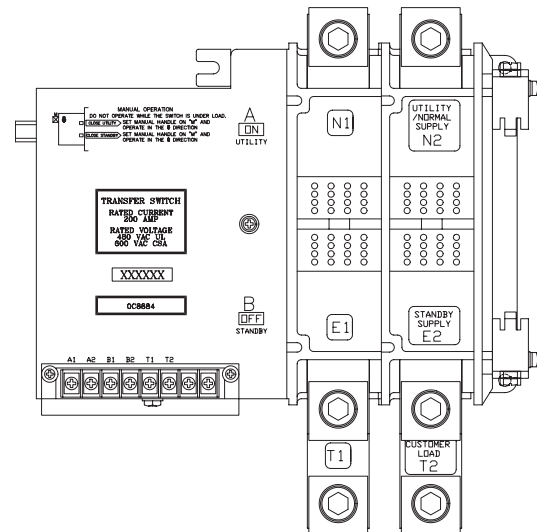
Make sure to turn OFF both the UTILITY (Normal) and EMERGENCY (Standby generator) power supplies before trying to connect power source and load lines to the transfer switch. Supply voltages are extremely high and dangerous. Contact with such high voltage power supply lines causes extremely hazardous, possibly lethal, electrical shock.

Wiring diagrams and electrical schematics are provided in this manual. Power source and load connections are made at a transfer mechanism, inside the switch enclosure.

### ◆ 2.4.1 2-POLE MECHANISM

These switches (Figure 2.1) are used with a single phase system, when the single phase NEUTRAL line is to be connected to a Neutral Lug and is not to be switched.

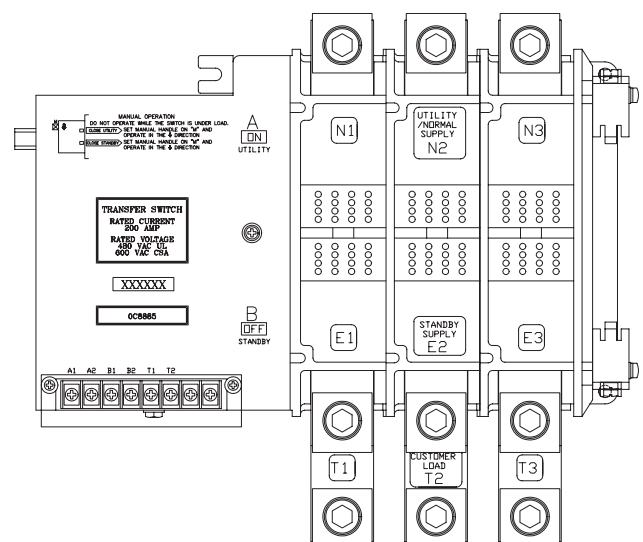
Figure 2.1 — Typical 2-Pole Transfer Mechanism (200 Amp Shown)

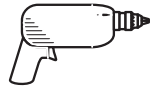


### ◆ 2.4.2 3-POLE MECHANISM

These switches (Figure 2.2) are used with a three phase system, when the three phase NEUTRAL line is to be connected to a NEUTRAL lug and is not to be switched. It is also used with a single phase system when the neutral is to be switched (NEUTRAL to be connected to third pole).

Figure 2.2 — Typical 3-Pole Transfer Mechanism (200 Amp Shown)





Solderless, screw-type terminal lugs are standard.

The conductor size range is as follows:

Switch Rating	Wire Range
200A	#4-400 MCM

Conductor sizes must be adequate to handle the maximum current to which they will be subjected; based on the 75°C column of tables, charts, etc. used to size conductors. The installation must comply fully with all applicable codes, standards and regulations.

Before connecting wiring cables to terminals, remove any surface oxides from the cable ends with a wire brush. All power cables should enter the switch next to transfer mechanism terminals. If ALUMINUM conductors are used, apply corrosion inhibitor to conductors. Tighten terminal lugs to the torque values as noted on the decal located on the inside of the door. After tightening terminal lugs, carefully wipe away any excess corrosion inhibitor.

All power cables should enter the switch next to the transfer mechanism terminals.



**Use a torque wrench to tighten the conductors, being sure not to overtighten, or damage to the switch base could occur. If undertightened, a loose connection would result, causing excess heat which could damage the switch base.**

Connect power source load conductors to clearly marked transfer mechanism terminal lugs as follows

1. Connect utility (NORMAL) power source cables to switch terminals N1, N2, (N3).
2. Connect emergency (STANDBY) source power cables to transfer switch terminals E1, E2, (E3).
3. Connect customer LOAD leads to switch terminals T1, T2, T3.

Conductors must be properly supported, of approved insulative qualities, protected by approved conduit, and of the correct wire gauge size in accordance with applicable codes.

Be sure to maintain proper electrical clearance between live metal parts and grounded metal. Allow at least 1/2 inch for 100-400 amp circuits.

## 2.5 CONNECTING START CIRCUIT WIRES

Control system interconnections (Page 11) consist of UTILITY 1 and 2, LOAD 1 and 2; and leads 23 and 194. Control system interconnection leads must be run in a conduit that is separate from the AC power lead. Recommended wire gauge sizes for this wiring depends on the length of the wire, as recommended below:

MAXIMUM WIRE LENGTH	RECOMMENDED WIRE SIZE
460 feet (140m)	No. 18 AWG.
461 to 730 feet (223m)	No. 16 AWG.
731 to 1,160 feet (354m)	No. 14 AWG.
1,161 to 1,850 feet (565m)	No. 12 AWG.

## 2.6 AUXILIARY CONTACTS

If desired, there are Auxiliary Contacts on the transfer switch to operate customer accessories, remote advisory lights, or remote annunciator devices. A suitable power source must be connected to the COMMON (C) terminal. See Figure 2.3.

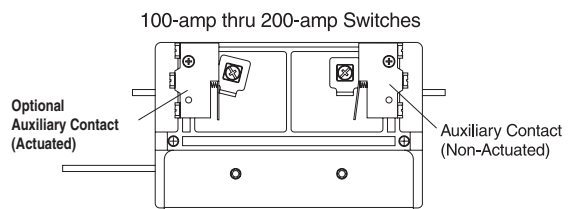
Contact operation is shown in the following chart:

	Switch Position	
	Utility	Standby
Common to Normally Open	Open	Closed
Common to Normally Closed	Closed	Open

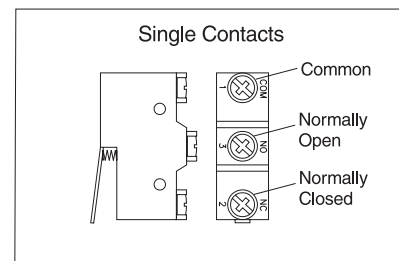
**NOTE:**

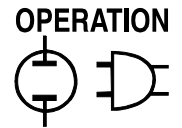
**Auxiliary Contacts are rated 10 amps at 125 or 250 volts AC. DO NOT EXCEED THE RATED VOLTAGE AND CURRENT OF THE CONTACTS.**

Figure 2.3 – Auxiliary Contacts



Side views shown in Utility position





### 3.1 FUNCTIONAL TESTS AND ADJUSTMENTS

Following transfer switch installation and interconnection, inspect the entire installation carefully. A competent, qualified electrician should inspect it. The installation should comply strictly with all applicable codes, standards, and regulations. When absolutely certain the installation is proper and correct, complete a functional test of the system.



Perform functional tests in the exact order presented in this manual, or damage to the switch could be done.

**IMPORTANT:** Before proceeding with functional tests, read and make sure you understand all instructions and information in this section. Also read the information and instructions of labels and decals affixed to the switch. Note any options or accessories that might be installed and review their operation.

### 3.2 MANUAL OPERATION



Do NOT manually transfer under load. Disconnect transfer switch from all power sources by approved means, such as a main circuit breaker(s).

A manual HANDLE is shipped with the transfer switch. Manual operation must be checked BEFORE the transfer switch is operated electrically. To check manual operation, proceed as follows:

1. Turn the generator’s AUTO-OFF-MANUAL switch to OFF.
2. Turn OFF both UTILITY and EMERGENCY power supplies to the transfer switch, with whatever means provided (such as the main line circuit breakers).
3. Note position of transfer mechanism main contacts by observing display windows in “A” and “B” in Figure 3.1 on page 6 as follows:
  - Window “A” ON, Window “B” OFF - LOAD terminals (T1, T2, T3) are connected to utility terminals (N1, N2, N3).
  - Window “A” OFF, Window “B” ON - LOAD terminals (T1, T2, T3) are connected to emergency terminals (E1, E2, E3).



Do not use excessive force when operating the transfer switch manually or the manual handle could be damaged.

#### ◆ 3.2.1 CLOSE TO NORMAL SOURCE SIDE

Before proceeding, verify the position of the switch by observing window “A” in Figure 3.1 on page 6. If window “A” reads “ON”, the contacts are closed in the normal position, no further action is required. If it reads “OFF”, proceed with Step 1.

Step 1: With the handle attached to the actuating shaft, move handle in the direction of the arrow on the switch cover until it stops — DO NOT FORCE. Release handle slowly to allow the spring in the switch box to relax. “ON” now appears in Window “A” and “OFF” appears in Window “B”.

#### ◆ 3.2.2 CLOSE TO EMERGENCY SOURCE SIDE

Before proceeding, verify the position of the switch by observing window “B” in Figure 3.1 on page 6. If window “B” reads “ON”, the contacts are closed in the EMERGENCY (Standby) position. No further action is required. If it reads “OFF”, proceed with Step 1.

Step 1: With the handle attached to the actuating shaft, move the handle in the direction of the arrow on the switch cover until it stops - DO NOT FORCE. Release handle slowly to allow the spring in the switch box to relax. “OFF” now appears in Window “A” and “ON” appears in Window “B”.

#### ◆ 3.2.3 RETURN TO NORMAL SOURCE SIDE

Manually actuate switch to return Window “A” to the “ON” position.

### 3.3 VOLTAGE CHECKS

1. Turn ON the UTILITY power supply to the transfer switch with whatever means provided (such as the UTILITY main line circuit breaker).



**PROCEED WITH CAUTION. THE TRANSFER SWITCH IS NOW ELECTRICALLY HOT. CONTACT WITH LIVE TERMINALS RESULTS IN EXTREMELY HAZARDOUS AND POSSIBLY FATAL ELECTRICAL SHOCK.**

2. With an accurate AC voltmeter, check for correct voltage.

#### **Single-phase utility supply:**

Measure across ATS terminal lugs N1 and N2; N1 to NEUTRAL and N2 to NEUTRAL.

#### **Three-phase utility supply:**

Measure across ATS terminal lugs N1 to N2, N2 to N3, and N1 to N3.

Measure across ATS terminal lugs N1 to NEUTRAL, N2 to NEUTRAL, and N3 to NEUTRAL.

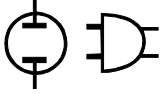
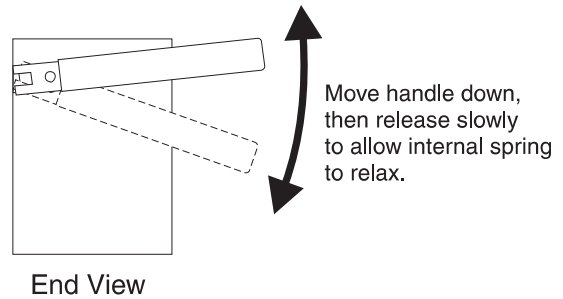
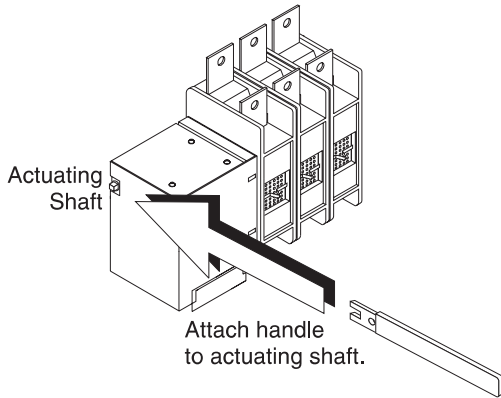
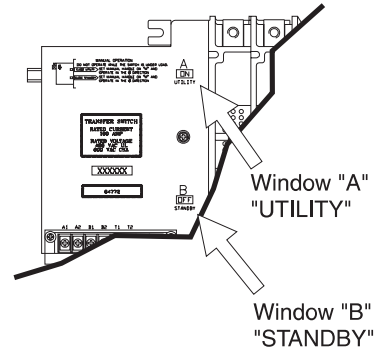
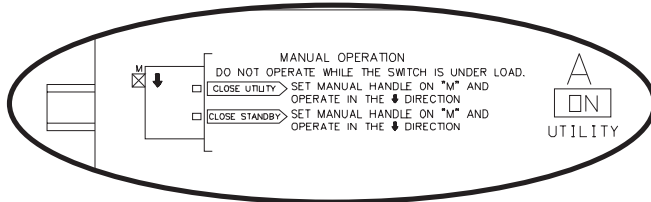


Figure 3.1 — Actuating Transfer Switch



**DANGER: Do NOT manually transfer under load. Disconnect transfer switch from all power sources by approved means, such as a main circuit breaker(s).**

Detail of instructions printed on transfer switch



NOTE: Return handle to storage position in enclosure when finished with manual transfer

3. When certain that UTILITY supply voltage is correct and compatible with transfer switch ratings, turn OFF the UTILITY supply to the transfer switch.
4. On the generator panel, set the AUTO-OFF-MANUAL switch to MANUAL position. The generator should crank and start.
5. Let the generator stabilize and warm up at no-load for at least five minutes.
6. Set the generator's main circuit breaker (CB1) to its ON or CLOSED position.



**PROCEED WITH CAUTION. GENERATOR OUTPUT VOLTAGE IS NOW BEING DELIVERED TO TRANSFER SWITCH TERMINALS. CONTACT WITH LIVE TERMINALS RESULTS IN EXTREMELY DANGEROUS AND POSSIBLY FATAL ELECTRICAL SHOCK.**

7. With an accurate AC voltmeter and frequency meter, check the no-load, voltage and frequency.

**Single-phase generator supply:**

Measure across ATS terminal lugs E1 to E2; E1 to NEUTRAL and E2 to NEUTRAL.

- a. Frequency .....60-62 Hz
- b. Terminals E1 to E2 .....240-246 VAC
- c. Terminals E1 to NEUTRAL .....120-123 VAC
- d. Terminals E2 to NEUTRAL .....120-123 VAC

**Three-phase generator supply:**

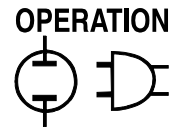
Measure across ATS terminal lugs E1 to E2, E2 to E3 and E1 to E3.

Measure across ATS terminal lugs E1 to NEUTRAL, E2 to NEUTRAL and E3 to NEUTRAL.

- a. Frequency .....60-62 Hz
- b. Terminals E1-E2, E2-E3, E1-E3 ....208-212 VAC
- c. Terminals E1-N, E2-N, E3-N .....120-122 VAC

It will also be necessary to verify that the phase rotation of the utility matches the phase rotation of the generator. This can be done by using a phase rotation indicator.





—▲ CAUTION ▲—

▲ Failure to do so may result in damage to certain rotary equipment.

8. Set the generator's main circuit breaker (CB1) to its OFF or OPEN position.
9. Set the Auto/Off/Manual switch to the OFF position to shut down the generator.

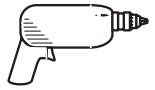
**NOTE:**

**Do NOT proceed until generator AC output voltage and frequency are correct and within stated limits. If the no-load voltage is correct but no-load frequency is incorrect, the engine governed speed probably requires adjustment. If no-load frequency is correct but voltage is not, the voltage regulator may require adjustment.**

### 3.4 GENERATOR TESTS UNDER LOAD

1. Set the generator's main circuit breaker to its OFF or OPEN position.
2. Manually actuate the transfer switch main contacts to their emergency (Standby) position. Refer to Manual Operation on page 5.
3. To start the generator, set the AUTO-OFF-MANUAL switch to MANUAL. When engine starts, let it stabilize for a few minutes.
4. Turn the generator's main circuit breaker to the ON or CLOSED position. The generator now powers all LOAD circuits. Check generator operation under load as follows:

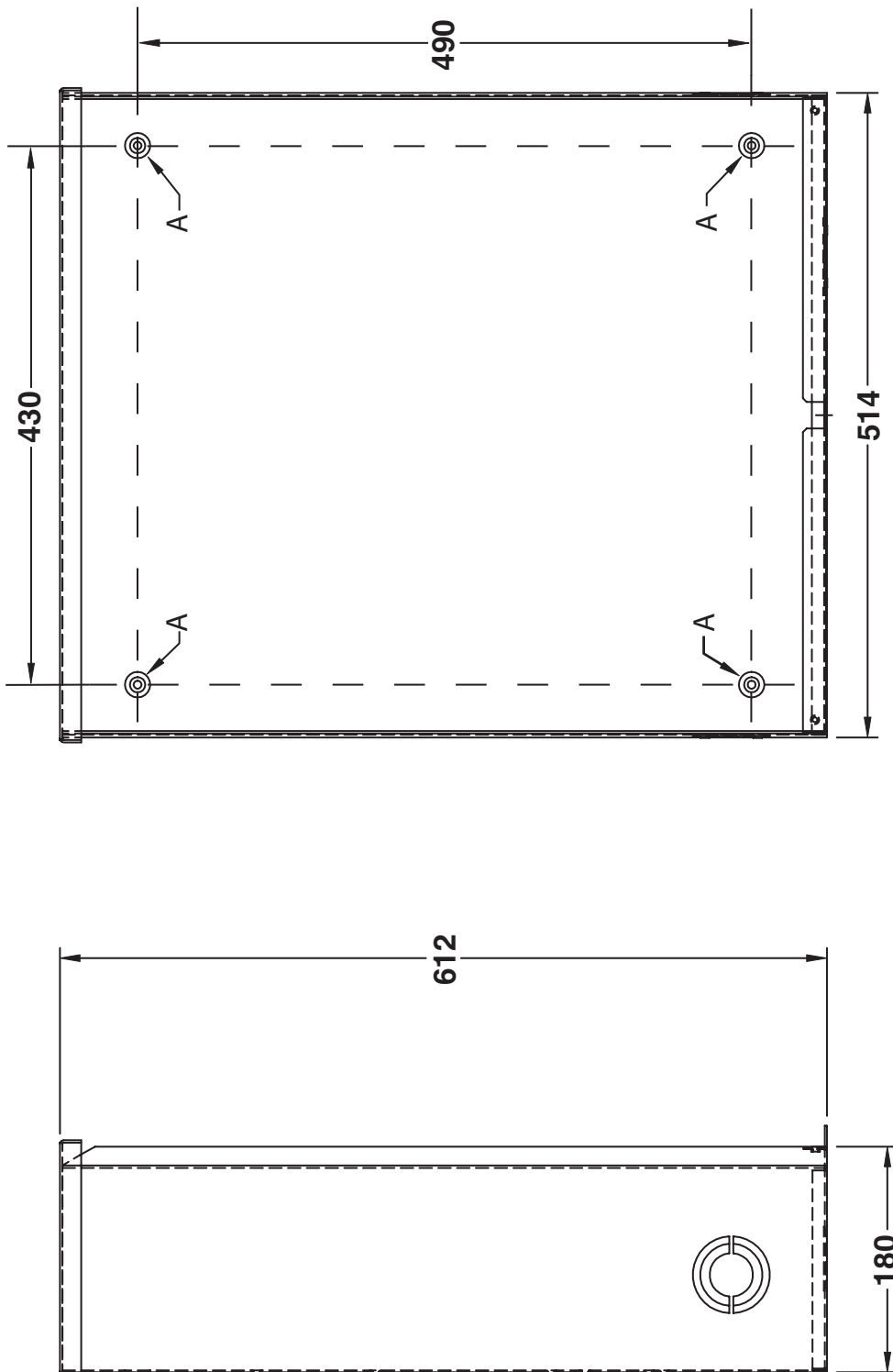
- Turn ON electrical loads to the full rated wattage/amperage capacity of the generator. DO NOT OVERLOAD.
  - With maximum rated load applied, check voltage and frequency across transfer switch terminals E1 and E2. Voltage should be greater than 230 volts; frequency should be greater than 59 Hz.
  - Let the generator run under rated load for at least 30 minutes. With unit running, listen for unusual noises, vibration, overheating, etc., that might indicate a problem.
5. When checkout under load is complete, set main circuit breaker of the generator to the OFF or OPEN position.
  6. Let the generator run at no-load for several minutes. Then, shut down by setting the AUTO-OFF-MANUAL switch to its OFF position.
  7. Move the switch's main contacts back to the UTILITY position. For example, load connected to utility power supply. Refer to Manual Operation on page 5. Handle and operating lever of transfer switch should be in down position.
  8. Turn on the utility power supply to transfer switch, using whatever means provided (such as a utility main line circuit breaker). The utility power source now powers the loads.
  9. Set the generator's AUTO-OFF-MANUAL switch to its AUTO position. The system is now set for fully automatic operation.



**Section 4 – Mounting Dimensions**

**Generac GTS "W" Type Transfer Switch**

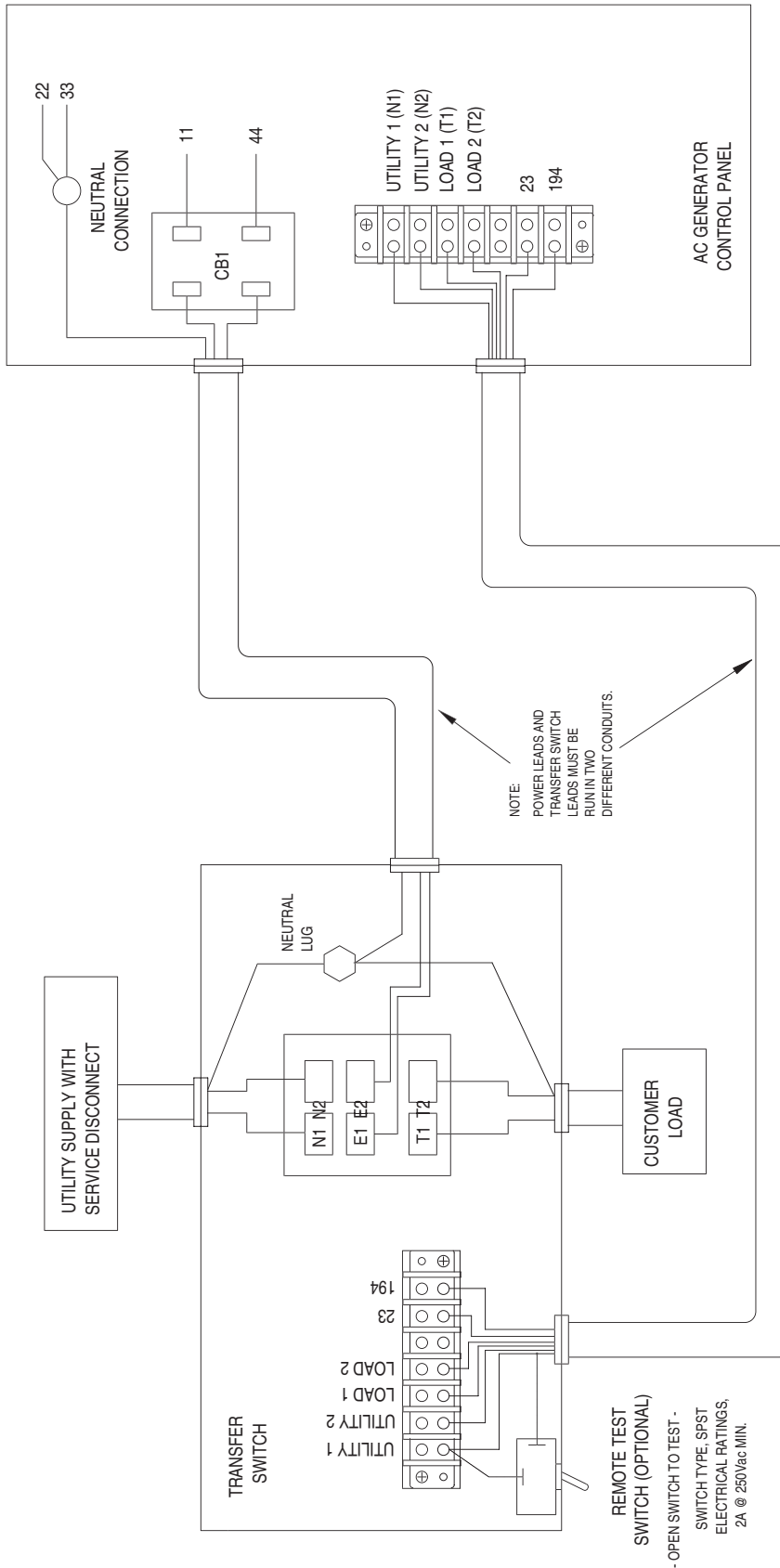
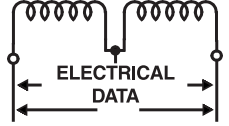
**Mounting Dimensions – Drawing No. OD3714-B**



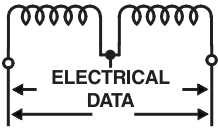
**Values are in Millimeters**

Note: Diameter of Mounting holes (A) is 6.35 MM

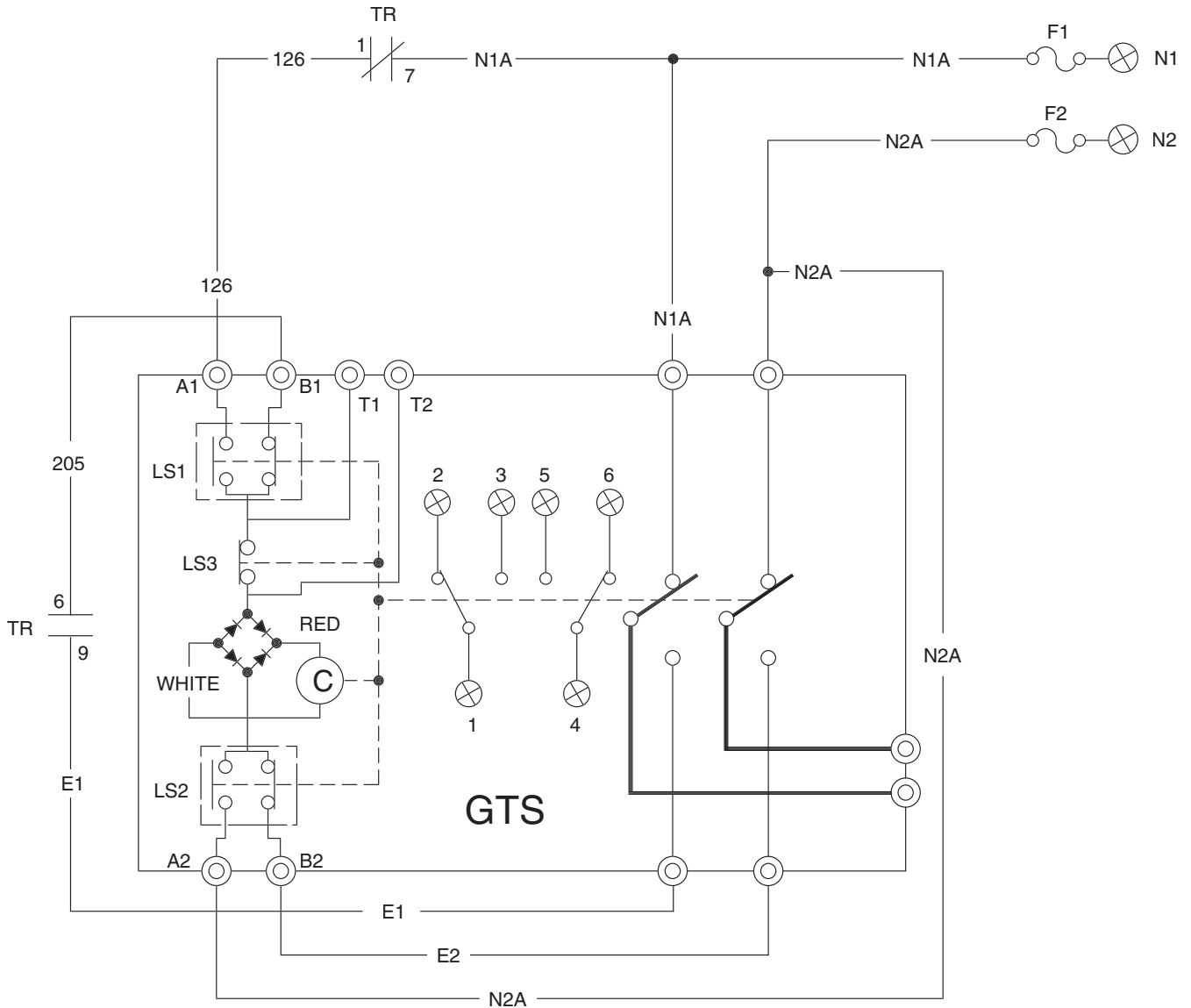
**Section 5 – Electrical Data**  
**Generac GTS "W" Type Transfer Switch**  
**Interconnection Diagram - Drawing No. 074106-B**



**NOTE:**  
IF THERE ARE NO MATCHING TERMINAL CONNECTIONS FOR LOAD 1 (T1) AND LOAD 2 (T2) IN THE GENERATOR CONTROL PANEL DO NOT CONNECT THESE WIRES. FAILURE OF THE CONTROL BOARD WILL OCCUR IF CONNECTED.

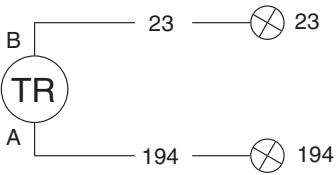


**Section 5 – Electrical Data**  
**Generac GTS "W" Type Transfer Switch**  
**200 Amp, 2-pole Switch – Drawing No. 0D3819-A**



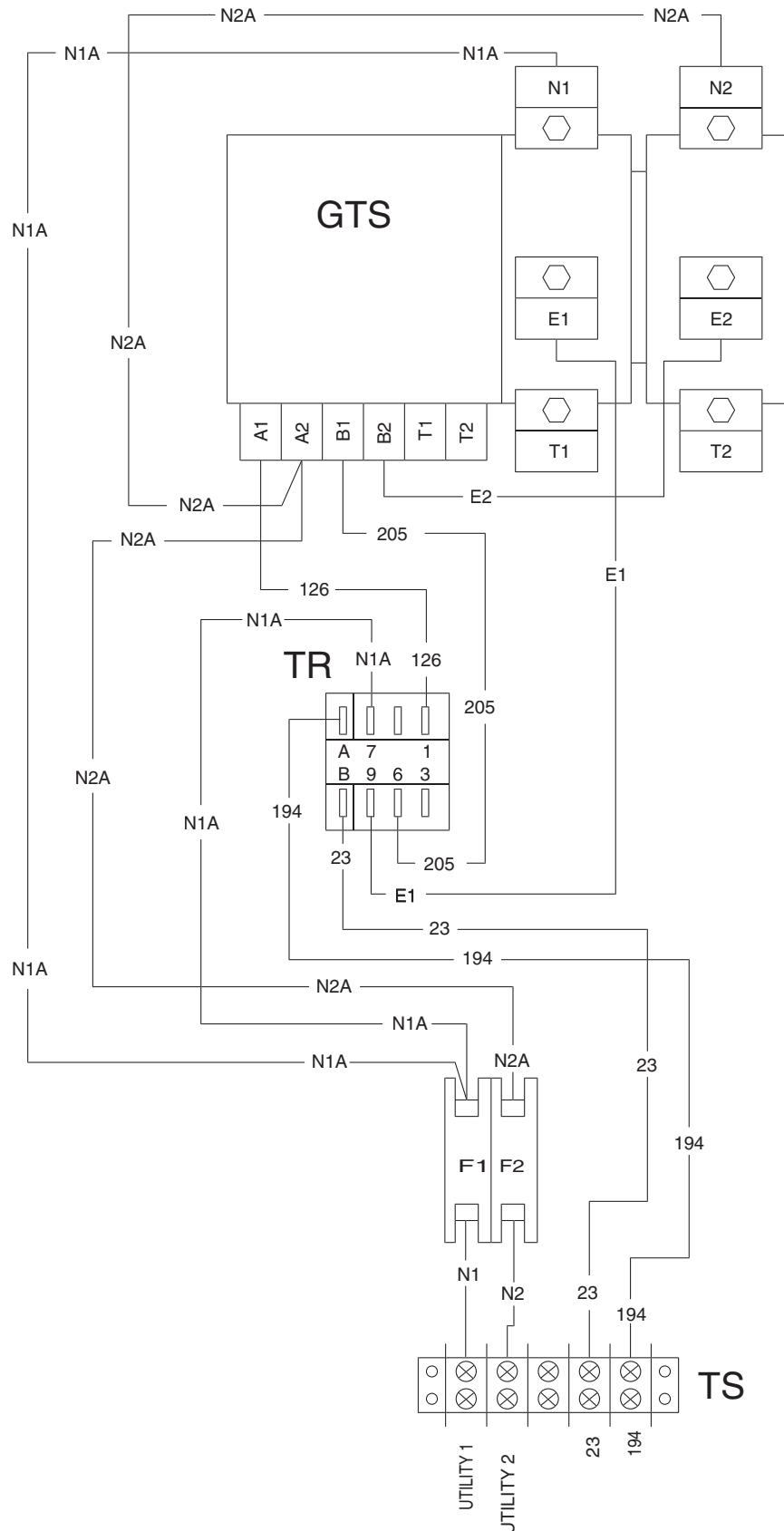
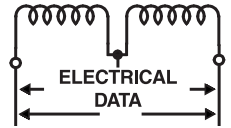
**LEGEND**

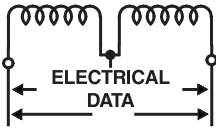
C - CONTACTOR ACTUATING COIL  
 GTS - TRANSFER SWITCH CONTACTOR  
 TR - RELAY, TRANSFER  
 TS - TERMINAL STRIP (CUSTOMER CONNECTION)  
 LS1,LS2,LS3 - LIMIT SWITCHES, ACTUATOR  
 F1,F2 - FUSE 5A SENSING



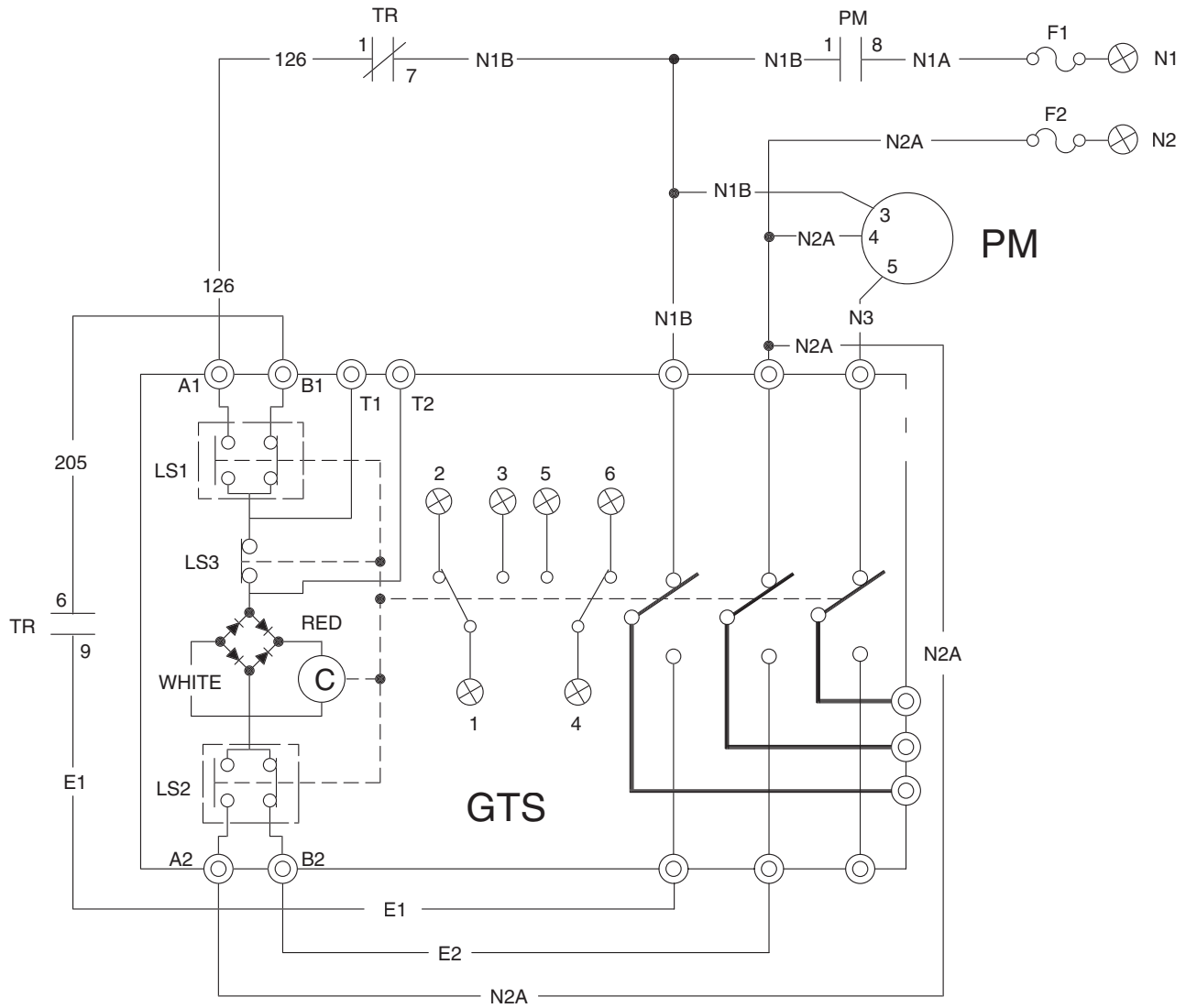
**NOTES:**  
 ALL CONTACTS SHOWN WITH  
 TRANSFER SWITCH IN UTILITY  
 POSITION.

**Section 5 – Electrical Data**  
**Generac GTS "W" Type Transfer Switch**  
**200 Amp, 2-pole Switch – Drawing No. 0D3819-A**



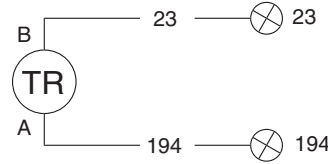


**Section 5 – Electrical Data**  
**Generac GTS "W" Type Transfer Switch**  
**200 Amp, 3-phase Switch – Drawing No. 0D3818-A**



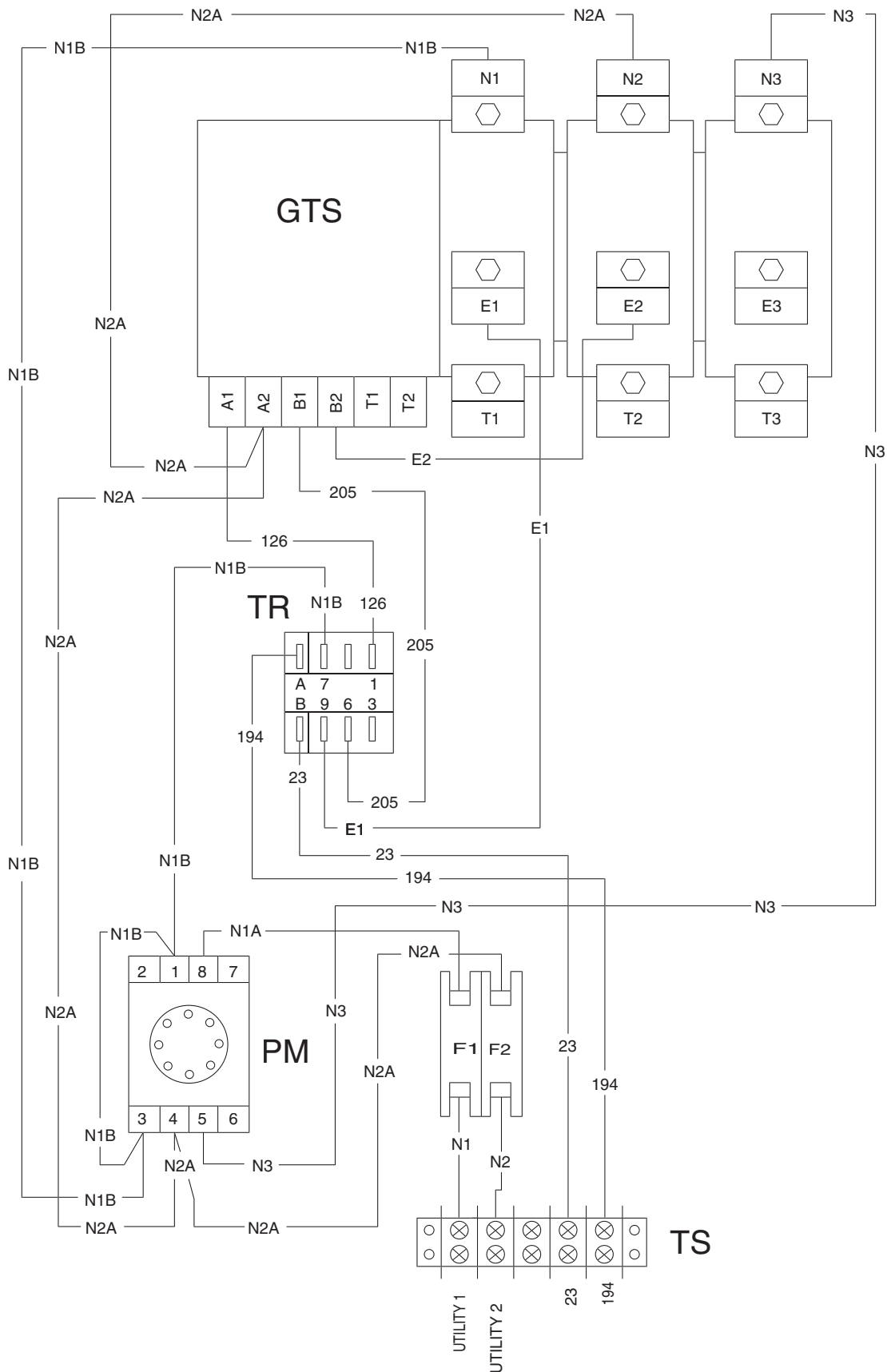
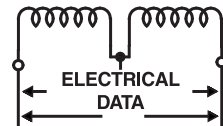
**LEGEND**

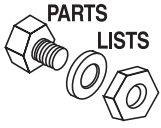
C - CONTACTOR ACTUATING COIL  
 GTS - TRANSFER SWITCH CONTACTOR  
 PM - POWER MONITOR, 3 PHASE UTILITY  
 TR - RELAY, TRANSFER  
 TS - TERMINAL STRIP (CUSTOMER CONNECTION)  
 LS1,LS2,LS3 - LIMIT SWITCHES, ACTUATOR  
 F1,F2 - FUSE 5A SENSING



- NOTES:**
- 1.) ALL CONTACTS SHOWN WITH TRANSFER SWITCH IN UTILITY POSITION.
  - 2.) FOR SINGLE PHASE OPERATION, ADD JUMPER WIRE FROM PM TERMINALS 1 TO 8.

**Section 5 – Electrical Data**  
**Generac GTS "W" Type Transfer Switch**  
**200 Amp, 3-pole Switch – Drawing No. OD3818-A**

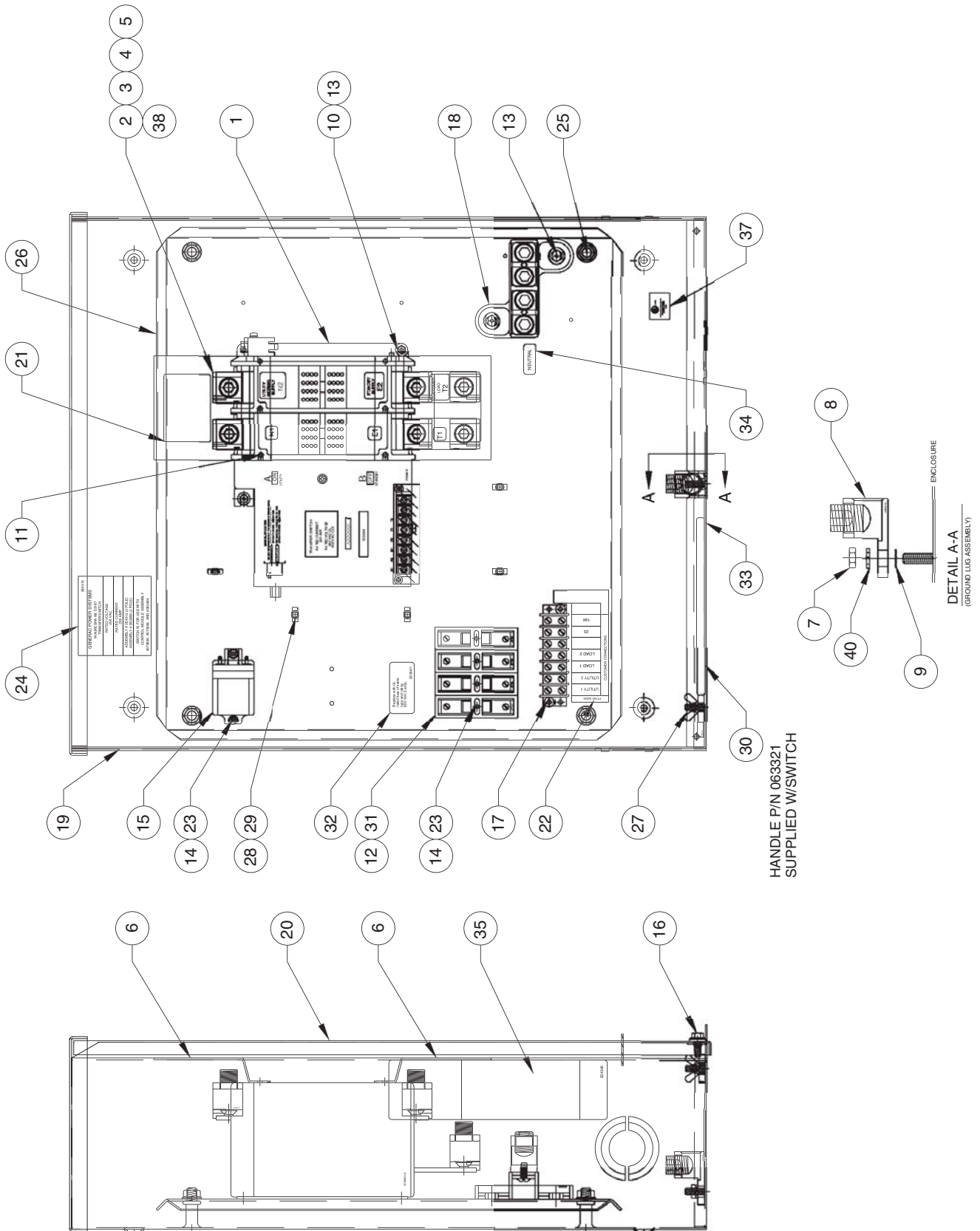




## Section 6 – Exploded Views and Parts List

### Generac GTS "W" Type Transfer Switch

200 A, 2Pole Switch Assembly – Drawing No. 0E2868\$-D

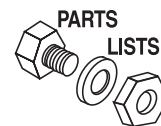




## Section 6 – Exploded Views and Parts List

### Generac GTS "W" Type Transfer Switch

#### 200 A, 2Pole Switch Assembly – Drawing No. 0E2868\$-D



ITEM	PART NO.	QTY.	DESCRIPTION
1	0C8884	1	XFER SW-W 200A600V2P
2	0A9949	6	LUG SLDLSS 400-#4X1/4-20 CU7AL
3	0C4896	6	SCREW FHM M8-1.25 X 20MM CR
4	067989	6	NUT LOCK FL M8-1.25 YEL CHR
5	026902	6	SCREW HHTT #8-32 X 1/4 CZ
6	0C7907H	2	COVER LUG 2P 150/200AMP
7	022127	1	NUT HEX 1/4-20 STEEL
8	057329	1	LUG SLDLSS 350-#6X13/32 AL/CU
9	027482	1	WASHER SHAKEPROOF EXT 5/16 STL
10	022097	3	WASHER LOCK M6-1/4
11	0C8275	4	SCREW PPHM DSEMS M4-7 X 10 ZNC
12	073591	4	FUSE HOLDER
13	090388	5	SCREW HHTT M6-1.0 X 12 ZINC
14	0A1495	6	SCREW HHTT M4-0.7 X 10 BP
15	063617	1	RELAY PNL 12VDC DPDT 10A@240VA
16	0C2454	2	SCREW TH-FRM M6-1X16 N WA ZJS
17	0A1661	2	RIVET POP .156 X .675 AL
18	0C4449A	1	ASS'Y-NTRL BL150-200A
19	0E2865	1	WELDMENT, TRANSFER SWITCH BOX
20	0D3718	1	COVER, TRANSFER SWITCH BOX
21	0C8308	2	DECAL TERMINAL SHOCK HAZARD
22	0A2595	1	DECAL TERMINAL STRIP
23	022264	6	WASHER LOCK #8-M4
24	0E4313	1	DECAL, SWITCH RATING
25	064101	4	NUT LOCK FL 3/8-16
26	0E2866	1	SUBPLT 200A TS 3R
27	025870	1	NUT WING 1/4-20
28	063378	5	HOLDER CABLE TIE
29	064761	5	TIE WRAP UL 5.6 X .10 NATL
30	063321	1	HANDLE XFER SWITCH 1-400A
31	073590A	4	FUSE 5A X BUSS
32	0D3587	1	DECAL, FUSE REPLACEMENT
33	067210A	1	DECAL GROUND LUG
34	0A9457	1	DECAL NEUTRAL
35	0D4545	1	DECAL, MANUAL OPERATION
36*	0E4307	1	DECAL, TEST SEQUENCE 2P TS 3R
37	081221	1	DECAL-UL LIST HSB
38**	0E4358	2	DECAL, LUG TORQUE INFO
39***	0E5567	1	DECAL, TRANSFER SWITCH
40	022129	1	WASHER LOCK M8-5/16

\* CENTER DECAL ON INSIDE OF THE COVER (ITEM #20)

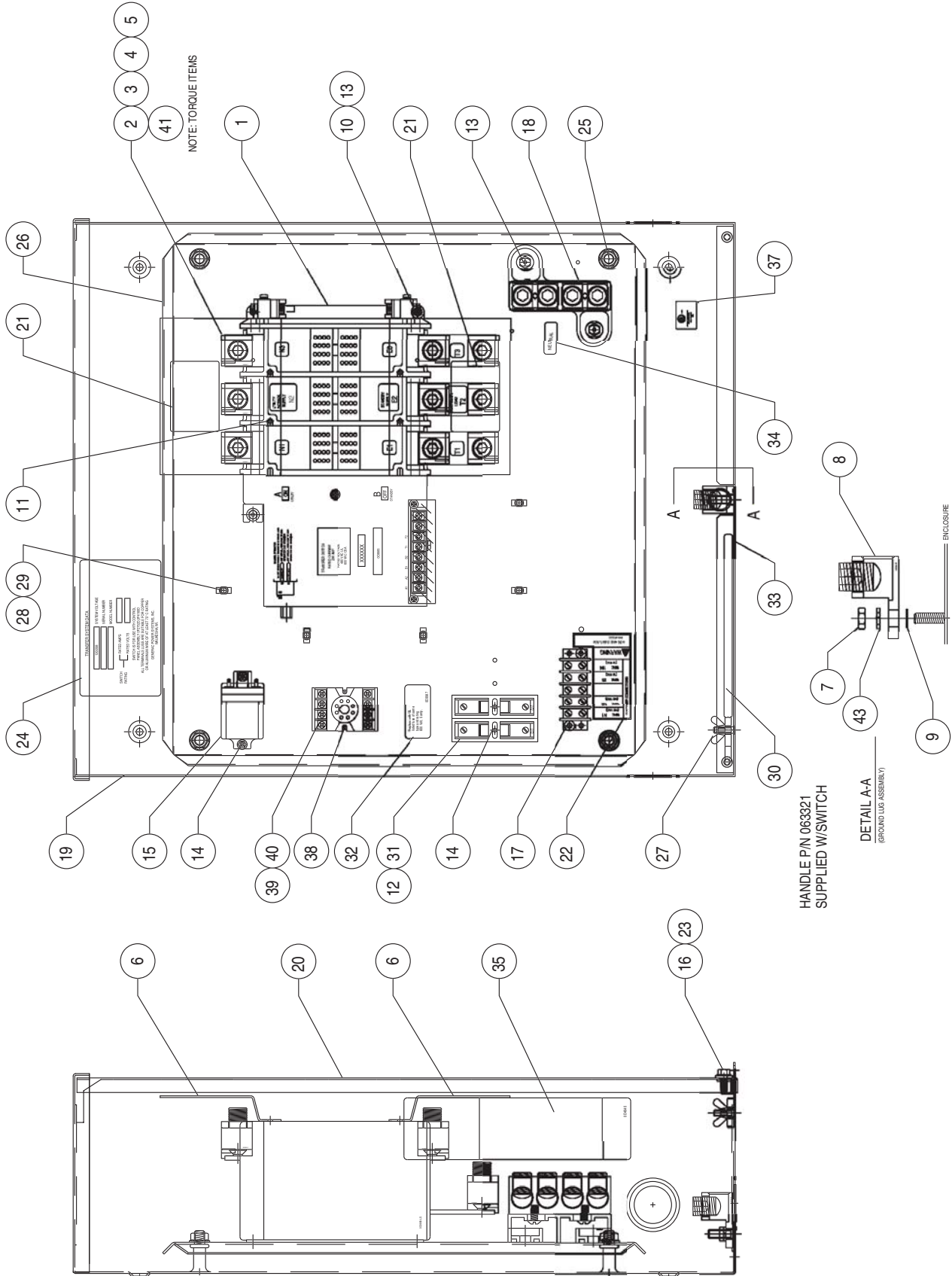
\*\* INSTALL ACROSS E & N TERMINALS

\*\*\*INSTALL ON FRONT OF THE COVER (ITEM #20)

**Section 6 – Exploded Views and Parts List**

**Generac GTS "W" Type Transfer Switch**

**200 A, 3-pole Switch Assembly – Drawing No. 0E4312\$-F**



HANDLE P/N 063321  
SUPPLIED W/ SWITCH

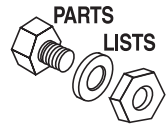
DETAIL A-A  
(GROUND LUG ASSEMBLY)

ENCLOSURE

## Section 6 – Exploded Views and Parts List

### Generac GTS "W" Type Transfer Switch

#### 200 A, 3-pole Switch Assembly – Drawing No. 0E43125-F



ITEM	PART NO.	QTY.	DESCRIPTION
1	0C8885	1	XFER SW-W 200A600V3P
2	0A9949	9	LUG SLDLSS 400-#4X1/4-20 CU7AL
3	0C4896	9	SCREW FHM M8-1.25 X 20MM CR
4	067989	9	NUT LOCK FL M8-1.25 YEL CHR
5	026902	7	SCREW HHTT #8-32 X 1/4 CZ
6	0C7907D	2	COVER LUG 3P 150/200AMP
7	045771	1	NUT HEX M8-1.25 G8 CLEAR ZINC
8	057329	1	LUG SLDLSS 350-#6X13/32 AL/CU
9	027482	1	WASHER SHAKEPROOF EXT 5/16 STL
10	022097	3	WASHER LOCK M6-1/4
11	0C8275	4	SCREW PPHM DSEMS M4-7 X 10 ZNC
12	073591	2	FUSE HOLDER
13	090388	5	SCREW HHTT M6-1.0 X 12 ZINC
14	0A1495	6	SCREW HHTT M4-0.7 X 10 BP
15	063617	1	RELAY PNL 12VDC DPDT 10A@240VA
16	047411	2	SCREW HHC M6-1.0 X 16 G8.8
17	0A1661	2	RIVET POP .156 X .675 AL
18	0C4449A	1	ASS'Y-NTRL BL150-200A
19	0E2865	1	WELDMENT,TRANSFER SWITCH BOX
20	0D3718	1	COVER, TRANSFER SWITCH BOX
21	0C8308	2	DECAL TERMINAL SHOCK HAZARD
22	0C2262	1	DECAL TERMINAL STRIP
23	0F6165	2	WASHER M6 NYLON
24	0F5569	1	DECAL, SWITCH RATING
25	064101	4	NUT LOCK FL 3/8-16
26	0E2866	1	SUBPLT 200A TS 3R
27	087680	1	NUT WING M6-1.0
28	063378	5	HOLDER CABLE TIE
29	064761	5	TIE WRAP UL 5.6 X .10 NATL
30	063321	1	HANDLE XFER SWITCH 1-400A
31	073590A	2	FUSE 5A X BUSS
32	0D3587	1	DECAL, FUSE REPLACEMENT
33	067210A	1	DECAL GROUND LUG
34	0A9457	1	DECAL NEUTRAL
35	0D4545	1	DECAL, MANUAL OPERATION
36*	0E4307	1	DECAL, TEST SEQUENCE 2P TS 3R
37	081221	1	DECAL-UL LIST HSB
38	0A2284	2	SCREW SWAGE 8-32 X 1/2 Z/YC
39	063306	1	3-PHASE POWER MONITR
40	066972	1	SOCKET RELAY OCTAL 8P 300V-10A
41**	0E4358	2	DECAL, LUG TORQUE INFO
42***	0F6521	1	DECAL TRANSFER SWITCH RTS
43	022129	1	WASHER LOCK M8-5/16

\* CENTER DECAL ON INSIDE OF THE COVER (ITEM #20)

\*\* INSTALL ACROSS E & N TERMINALS

\*\*\*INSTALL ON FRONT OF THE COVER (ITEM #20)



## Section 7 – Warranty

### Generac GTS "W" Type Transfer Switch

#### **GENERAC POWER SYSTEMS STANDARD TWO-YEAR LIMITED WARRANTY FOR GENERAC TRANSFER SWITCH SYSTEMS**

NOTE: ALL UNITS MUST HAVE A START-UP INSPECTION PERFORMED BY AN AUTHORIZED GENERAC DEALER.

For a period of two (2) years or two thousand (2,000) hours of operation from the date of sale, which ever occurs first, Generac Power Systems, Inc. will, at its option, repair or replace any part(s) which, upon examination, inspection, and testing by Generac Power Systems or an Authorized/Certified Generac Power Systems Dealer, or branch thereof, is found to be defective under normal use and service, in accordance with the warranty schedule set forth below. Any equipment that the purchaser/owner claims to be defective must be examined by the nearest Authorized/Certified Generac Power Systems Dealer, or branch thereof. This warranty applies only to Generac Power Systems Transfer Switch used in "Standby" applications, as Generac Power Systems, Inc. has defined Transfer Switch applications, provided said generator has been initially installed and/or inspected on-site by an Authorized/Certified Generac Power Systems Dealer, or branch thereof. Scheduled maintenance, as outlined by the generator owner's manual, must be performed by an Authorized/Certified Generac Power Systems Dealer, or branch thereof. This will verify service has been performed on the unit throughout the warranty period. This warranty is limited to and available only on Liquid-cooled units.

#### **WARRANTY SCHEDULE**

YEAR ONE — One hundred percent (100%) coverage on mileage, labor, and parts listed.

- ALL COMPONENTS

YEAR TWO — One hundred percent (100%) coverage on parts listed.

- ALL COMPONENTS — PARTS ONLY

#### **Guidelines:**

Travel allowance is limited to 300 miles maximum, and 7.5 hours maximum (per occurrence), round trip, to the nearest authorized Generac Service Facility, and only applies to permanently wired and mounted units.

- Any and all warranty repairs and/or concerns, must be performed and/or addressed by an Authorized/Certified Generac Power Systems Dealer, or branch thereof.
- A Generac Power Systems, Inc. Transfer Switch is highly recommended to be used in conjunction with the generator set. If a Non-Generac Power Systems, Inc. Transfer Switch is substituted for use and directly causes damage to the generator set, no warranty coverage shall apply.
- All warranty expense allowances are subject to the conditions defined in Generac Power Systems Warranty, Policies, Procedures and Flat Rate Manual.
- Units that have been resold are not covered under the Generac Power Systems Warranty, as this Warranty is not transferable.
- Unit enclosure is only covered during the first year of the warranty provision.
- Use of Non-Generac replacement part(s) will void the warranty in its entirety.
- Engine coolant heaters (block-heaters), heater controls and circulating pumps are only covered during the first year of the warranty provision.

#### **THIS WARRANTY SHALL NOT APPLY TO THE FOLLOWING:**

1. Any unit built/manufactured prior to July 1, 2004.
2. Costs of normal maintenance (i.e. tune-ups, associated part(s), adjustments, loose/leaking clamps, installation and start-up).
3. Any failure caused by contaminated fuels, oils, coolants/antifreeze or lack of proper fuels, oils or coolants/antifreeze.
4. Units sold, rated or used for "Prime Power", "Trailer Mounted" or "Rental Unit" applications as Generac Power Systems has defined Prime Power, Trailer Mounted or Rental Unit. Contact a Generac Power Systems Distributor for Prime Power, Trailer Mounted or Rental Unit definition and warranty.
5. Failures caused by any external cause or act of God such as, but not limited to, collision, fire, theft, freezing, vandalism, riot or wars, lightning, earthquake, windstorm, hail, volcanic eruption, water or flood, tornado, hurricane, terrorist acts or nuclear holocaust.
6. Products that are modified or altered in a manner not authorized by Generac Power Systems in writing.
7. Failures due, but not limited to, normal wear and tear, accident, misuse, abuse, negligence, or improper installation or sizing.
8. Any incidental, consequential or indirect damages caused by defects in materials or workmanship, or any delay in repair or replacement of the defective part(s).
9. Damage related to rodent and/or insect infestation.
10. Failure due to misapplication, misrepresentation, or bi-fuel conversion.
11. Telephone, facsimile, cellular phone, satellite, Internet, or any other communication expenses.
12. Rental equipment used while warranty repairs are being performed (i.e. rental generators, cranes, etc.).
13. Overtime, holiday, or emergency labor.
14. Modes of transportation deemed abnormal (refer to Generac Power Systems Warranty, Policies, Procedures and Flat Rate Manual).
15. Steel enclosures that are rusting due to improper installation, location in a harsh or saltwater environment or scratched where integrity of paint applied is compromised.
16. Any and all expenses incurred investigating performance complaints unless defective Generac materials and/or workmanship were the direct cause of the problem.
17. Starting batteries, fuses, light bulbs, engine fluids, and overnight freight cost for replacement part(s).

THIS WARRANTY IS IN PLACE OF ALL OTHER WARRANTIES, EXPRESSED OR IMPLIED, SPECIFICALLY, GENERAC POWER SYSTEMS MAKES NO OTHER WARRANTIES AS TO THE MERCHANTABILITY OR FITNESS FOR A PARTICULAR PURPOSE. Some states do not allow limitations on how long an implied warranty lasts, so the above limitation may not apply to purchaser/owner.

GENERAC POWER SYSTEMS ONLY LIABILITY SHALL BE THE REPAIR OR REPLACEMENT OF PART(S) AS STATED ABOVE. IN NO EVENT SHALL GENERAC POWER SYSTEMS BE LIABLE FOR ANY INCIDENTAL, OR CONSEQUENTIAL DAMAGES, EVEN IF SUCH DAMAGES ARE A DIRECT RESULT OF GENERAC POWER SYSTEMS, INC. NEGLIGENCE.

Some states do not allow the exclusion or limitation of incidental or consequential damages, so the above limitations may not apply to purchaser/owner.

Purchaser/owner agrees to make no claims against Generac Power Systems, Inc. based on negligence. This warranty gives purchaser/owner specific legal rights. Purchaser/owner also may have other rights that vary from state to state.

**Generac Power Systems, Inc. · P.O. Box 8 · Waukesha, WI 53187**

**Ph: (262) 544-4811 · Fax: (262) 544-4851**

Bulletin 0166260SBY / Printed in U.S.A. 6.04

## Free Manuals Download Website

<http://myh66.com>

<http://usermanuals.us>

<http://www.somanuals.com>

<http://www.4manuals.cc>

<http://www.manual-lib.com>

<http://www.404manual.com>

<http://www.luxmanual.com>

<http://aubethermostatmanual.com>

Golf course search by state

<http://golfingnear.com>

Email search by domain

<http://emailbydomain.com>

Auto manuals search

<http://auto.somanuals.com>

TV manuals search

<http://tv.somanuals.com>