

Genesis

18V Cordless Drill/Driver

Perceuse / Tournevis sans fil de 18v

Taladro / Tornillador inalámbrico de 18v

Operator's Manual

Manuel d'utilisation

Manual del Operario



GCD18BK

18V Cordless Drill/Driver Operator's Manual

Specifications:

- Model: GCD18BK
- Charger Input: 120 V~ 60 Hz
- Motor: 18 V DC
- No-Load Speed: 0-550 RPM
- Chuck Size: 3/8" (10mm)
- Torque Settings: 16

Includes: 1 -Battery, Charger, 13-Piece Drill/Driver Bit Set, and Storage Case

⚠ WARNING: To reduce the risk of injury, user must read and understand this operator's manual before operating this tool. Save this Manual for future reference.

Toll-Free Help Line: 1-888-552-8665



⚠ WARNING: The Operation of any power tool can result in foreign objects being thrown into your eyes, which can result in severe eye damage. Before beginning tool operation, always wear safety goggles or safety glasses with side shields and a full face shield when needed. We recommend Wide Vision Safety Mask for use over eyeglasses or standard safety glasses with side shields. Always wear eye protection which is marked to comply with ANSI Z87.1.



Look for this symbol to point out important safety precautions. It means attention!!! Your safety is involved.

GENERAL SAFETY RULES

⚠ WARNING:

Some dust created by power sanding, sawing, grinding, drilling, and other construction activities contains chemicals known to cause cancer, birth defects or other reproductive harm. Some examples of these chemicals are:

- Lead from lead-based paints,
- Crystalline silica from bricks and cement and other masonry products, and
- Arsenic and chromium from chemically treated lumber.

Your risk from these exposures varies, depending on how often you do this type of work. To reduce your exposure to these chemicals: work in a well ventilated area, and work with approved safety equipment, such as those dust masks that are specially designed to filter out microscopic particles.

⚠ WARNING: READ AND UNDERSTAND ALL WARNINGS, CAUTIONS AND OPERATING INSTRUCTIONS BEFORE USING THIS EQUIPMENT. Failure to follow all instructions listed below may result in electric shock, fire and/or serious personal injury.

SAVE THESE INSTRUCTIONS

WORK AREA SAFETY:

- **Keep your work area clean and well lit.** Cluttered benches and dark areas invite accidents.
- **Do not operate power tools in explosive atmospheres,** such as in the presence of flammable liquids, gases, or dust. Power tools create sparks which may ignite the dust or fumes.
- **Keep bystanders, children, and visitors away while operating a power tool.** Distractions can cause you to lose control.

ELECTRICAL SAFETY

- **Power tool plugs must match the outlet.** Never modify the plug in any way. Do not use any adapter plugs in any earthed (grounded) power tools. Double insulated tools are equipped with a polarized plug (one blade is wider than the other). This plug will fit in a polarized outlet only one way. If the plug does not fit fully in the outlet, reverse the plug. If it still does not fit, contact a qualified electrician to install a polarized outlet. Do not change the plug in any way. Double insulation eliminates the need for the three wire grounded power cord and grounded power supply system.
- **Do not expose power tools to rain or wet conditions.** Water entering a power tool will increase the risk of electric shock.
- **Avoid body contact with earthed or grounded surfaces such as pipes, radiators, ranges and refrigerators.** There is an increased risk of electric shock if your body is grounded.
- **Do not abuse the cord.** Never use the cord for carrying, pulling or unplugging the power tool. Keep cord away from heat, oil, sharp edges or moving parts. Damaged cords increase the risk of electric shock.
- **When operating a power tool outside, use an extension cord suitable for outdoor use.** These cords are rated for outdoor use and reduce the risk of electric shock.
- **Do not use AC only rated tools with a DC power supply.** While the tool may appear to work. The electrical components of the AC rated tool are likely to fail and rate a hazard to the operator.

PERSONAL SAFETY

- **Stay alert,** watch what you are doing and use common sense when operating a power tool. Do not use tool while tired or under the influence of drugs, alcohol, or medication. A moment of inattention while operating power tools may result in serious personal injury.
- **Use safety equipment.** Always wear eye protection. Safety equipment such as dust mask, non-skid safety shoes, hard hat, or hearing protection for appropriate conditions will reduce personal injuries.
- **Dress properly.** Do not wear loose clothing or jewelry. Keep your hair, clothing and gloves away from moving parts. Loose clothes, jewelry or long hair can be caught in moving parts. Air vents may cover moving parts and should be avoided.

- **Avoid accidental starting.** Ensure the switch is in the off position before plugging in. Carrying power tool with your finger on the switch or plugging in power tools that have the switch on invites accidents.
- **Remove any adjusting keys or wrenches before turning the power tool on.** A wrench or key that is left attached to a rotating part of the tool may result in personal injury.
- **Do not overreach.** Maintain proper footing and balance at all times. Loss of balance can cause an injury in an unexpected situation.
- **If devices are provided for connection of dust extraction and collection facilities, ensure these are connected and properly used.** Use of these devices can reduce dust related hazards.
- **Do not use a ladder or unstable support.** Stable footing on a solid surface enables better control of the tool in unexpected situations.
- **Keep tool handles dry, clean and free from oil and grease.** Slippery handles cannot safely control the tool.

TOOL USE AND CARE

- **Secure the work piece.** Use clamp or other practical way to hold the work piece to a stable platform. Holding the work piece by hand or against your body is unstable and may lead to loss of control.
- **Do not force the power tool.** The tool will perform the job better and safer at the feed rate for which it is designed. Forcing the tool could possibly damage the tool and may result in personal injury.
- **Use the correct power tool for the job.** Don't force the tool or attachment to do a job for which it is not designed.
- **Do not use tool if switch does not turn it on or off.** Any tool that cannot be controlled with the switch is dangerous and must be repaired or replaced by an authorized service center.
- **Turn power tool off, and disconnect the plug** from the power source and/or battery pack from the power tool before making any adjustments, changing the accessories, or storing the tools. Such preventive safety measures reduce the risk of an accidental start up which may cause personal injury.
- **Store idle tool out of reach of children and other inexperienced persons.** It is dangerous in the hand of untrained users.
- **Maintain power tools with care.** Check for proper alignment and binding of moving parts, component breaks, and any other conditions that may affect the tool's operation. A guard or any other part that is damaged must be properly repaired or replaced by an authorized service center to avoid risk of personal injury.
- **Use recommended accessories.** Using accessories and attachments not recommended by the manufacturer or intended for use on this type tool may cause damage to the tool or result in personal injury to the user. Consult the operator's manual for recommended accessories.
- **Keep cutting tools sharp and clean.** Properly maintained cutting tools with sharp cutting edges are less likely to bind and are easier to control.

- **Feed the work piece in the correct direction and speed.** Feed the work piece into a blade, cutter, or abrasive surface against the direction of the cutting tool's direction of rotation only. Incorrectly feeding the work piece in the same direction may cause the work piece to be thrown out at high speed.
- **Never leave the tool running unattended, turn the power off.** Do not leave the tool until it comes to a complete stop.
- **Never start the power tool when any rotating component is in contact with the work piece.**

BATTERY TOOL USE AND CARE

- **Ensure the switch trigger is in the off position before inserting battery pack.** Inserting the battery pack into power tools that have the switch on invites accidents.
- **Recharge only with the charger specified by the manufacturer.** A charger that is suitable for one type of battery pack may create a risk of fire when used with another battery pack.
- **Use battery tools only with specified battery pack.** Use of any other battery packs may create a risk of injury and fire.
- **Avoid storing battery pack in a container with other metal objects** such as nails, coins, clips, keys, screws, or other small metal objects that can make a connection from one terminal to another. Always protect the battery terminals when battery pack is not being used. Connecting the battery terminals together may cause burns or a fire.
- **Under abusive conditions, liquid may be ejected from the battery.** Avoid contact. If contact accidentally occurs, flush with water. If liquid contacts eyes, additionally seek medical help. Liquid ejected from the battery may cause irritation or burns.
- **Battery tools do not need to be plugged into an electrical outlet,** therefore, they are always in operation condition. Be aware of possible hazards when not using your battery tool or when changing accessories. Following this rule will reduce the risk of electric shock, fire or personal injury.

⚠ WARNING:

USE OF THIS TOOL CAN GENERATE AND DISBURSE DUST OR OTHER AIRBORNE PARTICLES, INCLUDING WOOD DUST, CRYSTALLINE SILICA DUST AND ASBESTOS. Direct particles away from face and body. Always operate tool in a well-ventilated area and provide for proper dust removal. Use dust collection system wherever possible. Exposure to the dust may cause serious and permanent respiratory or other injury, including silicosis (a serious lung disease), cancer, and death. Avoid breathing the dust, and avoid prolonged contact with the dust. Allowing dust to get into your mouth or eyes, or lay on your skin may promote absorption of harmful material. Always use properly fitting NIOSH/OSHA approved respiratory protection appropriate for dust exposure, and wash exposed areas with soap and water.

SERVICE

- **Have your power tool Serviced by a qualified repair person using only identical replacement parts.** This will ensure that the safety of the power tool is maintained.

⚠ WARNING: READ AND UNDERSTAND ALL WARNINGS, CAUTIONS AND OPERATING INSTRUCTIONS BEFORE USING THIS EQUIPMENT. Failure to follow all instructions listed below may result in electric shock, fire and/or serious personal injury.

SAVE THESE INSTRUCTIONS

EXTENSION CORDS

Grounded tools require a three wire extension cord. Double insulated tools can use either a two or three wire extension cord. As the distance from the power supply outlet increases, you must use a heavier gauge extension cord. Using extension cords with inadequately sized wire causes a serious drop in voltage, resulting in loss of power and possible tool damage. Refer to the table shown below to determine the required minimum wire size.

The smaller the gauge number of the wire, the greater the capacity of the cord. For example: a 14-gauge cord can carry a higher current than a 16-gauge cord. When using more than one extension cord to make up the total length, be sure each cord contains at least the minimum wire size required. If you are using one extension cord for more than one tool, add the nameplate amperes and use the sum to determine the required minimum wire size.

Guidelines for Using Extension Cords

- If you are using an extension cord outdoors, be sure it is marked with the suffix “W-A” (“W” in Canada) to indicate that it is acceptable for outdoor use.
- Be sure your extension cord is properly wired and in good electrical condition. Always replace a damaged extension cord or have it repaired by a qualified person before using it.
- Protect your extension cords from sharp objects, excessive heat, and damp or wet areas.

Nameplate Amperes (At Full Load)	Extension Cord Length					
	25 Feet	50 Feet	75 Feet	100 Feet	150 Feet	200 Feet
0–2.0	18	18	18	18	16	16
2.1–3.4	18	18	18	16	14	14
3.5–5.0	18	18	16	14	12	12
5.1–7.0	18	16	14	12	12	10
7.1–12.0	18	14	12	10	8	8
12.1–16.0	14	12	10	10	8	6
16.1–20.0	12	10	8	8	6	6

SPECIFIC SAFETY RULES FOR CORDLESS DRILL/DRIVER

⚠ WARNING: DO NOT LET COMFORT OR FAMILIARITY WITH PRODUCT (GAINED FROM REPEATED USE) REPLACE STRICT ADHERENCE TO PRODUCT SAFETY RULES. If you use this tool unsafe or incorrectly, you can suffer serious personal injury!

- **Hold the tool by insulated gripping surfaces** when performing an operation where the tool may contact hidden wiring. Contact with a “live” wire will make exposed metal parts of the tool “live” and shock the operator.
- **Do not leave the tool running.** Operate the tool only when hand-held.
- **Be Aware that this tool is always in an operating condition,** because it does not have to be plugged into an electric outlet.

- **When operating the tool from an elevated position**, be aware of people or things beneath you.
- **Always hold the tool firmly in your hands before switching the tool “ON”**. The reaction to the torque of the motor as it accelerates to full speed may cause the tool to twist.
- **Wear eye and hearing protection**. Always use safety glasses with side shields. Unless otherwise specified, everyday glasses provide only limited impact resistance, they are not safety glasses. Use only certified safety equipment; eye protection equipment should comply with ANSI z87.1 standards. Protective hearing equipment should comply with ANSI s3.19 standards.
- **Protect your lungs**. Wear a face or dust mask if the operation is dusty. Following this rule will reduce the risk of personal injury.
- **Always disconnect battery pack from tool** or place the switch in the locked or off position before any assembly, adjustments or changing of accessories. Following this instruction will reduce the risk of serious personal injury.
- **Do not place battery tools or their batteries near fire or heat**. This will reduce the risk of explosion and possibly personal injury.
- **Never use a battery which has been dropped or received a sharp blow**. A damaged battery is subject to explosion. Properly dispose of a dropped or damaged battery immediately.
- **Use designated battery pack (Genesis™ -Model GAB18B) and charger (Genesis™- Model GAC240400-SH) for this tool**. Use of any other batteries may result in a risk of fire.

⚠ WARNING: Read and understand safety and operating instructions of designated battery and charger before using this tool. This manual contains important safety and operating instruction for battery charger.

SAVE THESE INSTRUCTIONS

IMPORTANT SAFETY INSTRUCTIONS FOR CHARGER & BATTERY

- **Save These Instructions**. This manual contains important safety and operating instructions for your battery charger.
- **Before Using the battery Charger**, read all instructions and cautionary markings on (1) Battery Charger, (2) Battery , and (3) Product using battery.
- **Use only the charger** which accompanied your product or direct replacements as listed in this manual. Do not substitute any other charger.
- **Do not recharge battery in damp or wet environments**. Do not expose battery pack to water or rain.
- **Do not operate charger with damaged cord or plug**. Replace immediately.
- **Do not operate charger if it has received a sharp blow**, been dropped or otherwise damaged in any way. Take it to a qualified serviceman.
- **Do not disassemble charger or battery pack**. Take it to a qualified serviceman when service or repair is required. Incorrect reassembly may result in a risk of electric shock or fire.

- **Do not charge battery pack** when temperature is below 50 degrees F (10 degrees C) or above 104 degrees F (40 degrees C). Store tool and battery pack in a location where temperature will not exceed 122 degrees F (50 degree C). This is important to prevent serious damage to the battery cells.
- **Place charger on flat non-flammable surface** and away from flammable materials when re-charging the battery pack.
- **To reduce risk of electric shock**, unplug charger from outlet before attempting any maintenance or cleaning.
- **If operating time has become excessively shorter**, stop operating immediately. It may result in a risk of overheating, possible burns and even an explosion.
- **Battery leakage may occur** under extreme usage or temperature conditions. Avoid contact with skin and eyes. If liquid comes in contact with your skin, wash immediately with soap and water. If liquid gets into your eyes, wash them out with clear water for at least 10 minutes, and then seek medical attention right away.
- **Do not attempt to use a step-up transformer**, an engine generator or DC power receptacle.
- **Do not short the battery pack.** Do not touch the terminal with any conductive material. Avoid storing battery pack in a container with other metal objects such as nails, coins, etc. Always protect the battery terminals when battery pack is not used.
- **Do not charge battery pack inside a box or container of any kind.** The battery must be placed in a well ventilated area during charging.
- **Do not allow anything to cover or clog the charger vents.**
- **Do not incinerate the battery pack even** if it is severely damaged or is completely worn out. The battery pack can explode in a fire.
- **Disconnect Charger from the power source when not in use.** This will reduce the risk to electric shock or damage to the charger if metal pieces should fall into the opening. It also will help prevent damage to the charger during a power surge.

⚠ WARNING: A battery short can cause a large current flow, overheating, possible burns and even a breakdown.

⚠ WARNING: 120 volts are present at charging terminals, do not probe with conductive objects. Electric shock or electrocution may result. Do not allow any liquid to get inside charger. Electric shock may result.

⚠ WARNING: This product comes with the battery installed internally. You are not allowed to install or remove the battery from the product.

IMPORTANT BATTERY INFORMATION: DISPOSING THE BATTERY PACK

- Your batteries are **Nickel-Cadmium** rechargeable batteries. Certain Local, State and Federal laws prohibit disposal of these batteries in ordinary trash.
- Consult your local waste authorities for your disposal/recycling options.
- More information regarding battery disposal in U.S. and Canada is available at; <http://www.rbrc.org/index.html>, or by calling 1-800-822-8837 (1-800-8BATTERY).



YOUR CORDLESS DRILL/DRIVER

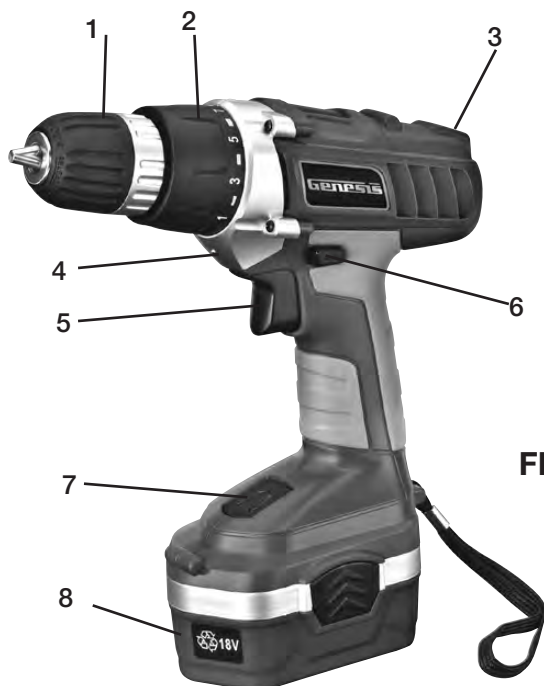


FIG 1

- 1. Keyless Chuck
- 2. Torque Ring
- 3. Bubble Level
- 4. LED Work Light
- 5. Trigger Switch
- 6. Reversing Switch
- 7. Magnetic Tray
- 8. Battery Pack

UNPACKING AND CONTENT

IMPORTANT: Due to modern mass production techniques, it is unlikely the tool is faulty or that a part is missing. If you find anything wrong, do not operate the tool until the parts have been replaced or the fault has been rectified. Failure to do so could result in serious personal injury.

Contents in Package:

Description	QTY	Description	QTY
Drill/Driver	1	Charger Stand	1
Wall Adaptor	1	Case	1
13-Piece Bit set	1	Operator's Manual	1

OPERATION

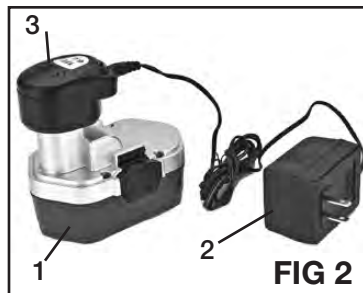
⚠ WARNING: To reduce the risk of serious personal injuries, read and follow all important safety warning and instructions before using this tool.

NOTE: Always Check that the power supply corresponds to the voltage on the ratings plate.

Charging the tool (FIG 2)

- Use only the Battery Charger that is included in this kit to recharge your batteries.
- Use only 120 Volt AC Power Source.
- Charge your batteries fully before using the drill for the first time.

- Connect the wall adaptor (2) to charger stand (3)
- Plug the wall adaptor (1) into a 120 Volt AC Power Source. The red light on the charger will illuminate, indicating the charger is power on.
- Insert the battery (1) into the slot on the charger stand (3). Make sure that the battery is seated firmly in the charger. The green light on the charger will illuminate, indicating that the battery is charging.
- Charge for 3 hours before initial use, and after normal use. If drill has been used continuously, and the battery is completely discharged, it may require up to 5 hours to fully recharge the battery.



- The green and red lights will remain lit, even after charging is complete.
- Batteries may become warm while charging. This is normal.
- If battery is hot after continuous use in the drill, allow it to cool down to room temperature before charging. This will extend the life of your batteries.
- Other tips for extending battery life: Do not store batteries completely discharged. Charge them fully before storing, and if drill is not used for a long time, take the batteries out and charge them periodically.

⚠ WARNING: Always disconnect battery pack from tool or place the switch in the locked or off position before any assembly, adjustments or changing accessories.

⚠ WARNING: Always be sure that the tool is switched off before insertion or removal of the battery pack.

Installing or Removing the Battery Pack (FIG 3)

- To install the battery pack, insert the battery pack into drill housing as shown in FIG 3. Always insert it all the way until it locks in place with a little click. Lightly pull on the battery to ensure it is locked into place and will not accidentally fall out of the drill, causing an injury.
- Do not use force when inserting the battery pack. If the battery does not slide in easily, it is not being inserted correctly.
- To remove the battery pack, withdraw it from the tool while depressing the tabs (1) on both sides of the battery pack.



Trigger Switch Action

- Turn the drill on by depressing the trigger switch.
- Depressing the switch further will produce more speed and torque.
- Use the reversing switch (6-FIG 1) to change the direction of rotation of the drill.
- The Reversing Switch has three positions: Forward, Reverse, and Off (middle).
- Always check the rotation before beginning your work.

LED Work Light

Your tool has a built-in LED work light to illuminate the work area. When you turn on the tool, the work light will automatically turn on.

Electric Brake

This drill is equipped with an electric brake. Like the torque settings, an electric brake provides you with another element of control during various operations. If the tool consistently fails to quickly stop after trigger switch release, have a qualified serviceman examine the tool.

Level

This drill is equipped with a bubble level located on the top of motor housing. It helps you to keep the drill bit level during the use.

Chuck

- Your drill is equipped with a keyless chuck, so you can quickly change bits with no extra tools required.
- To insert or change bits, put the reversing switch in the off position. Hold the collar of the chuck with one hand and rotate the body of the chuck to tighten or loosen.
- Always make sure that bits are seated firmly between the chuck jaws. Never attempt to operate a bit that is wobbly, unstable, or broken.

⚠ WARNING: Make sure the drill bit is inserted straight into chuck jaws. Do not insert the drill bit into the chuck jaws at an angle and tighten. This could cause the drill bit to be thrown from the drill, resulting in possible serious personal injury.

Clutch (Torque) Settings

- During screw driving applications, you can adjust the maximum torque that the drill will produce.
- This feature can be used to prevent the stripping and breaking of screws, or to set a series of screws to a depth that fits your project.
- Set the clutch ring at the front of the drill to settings from 1 (lightest) to 16 (heaviest). Setting 16 is direct drive (torque is not limited) and used primarily for drilling operations.
- In general, you will find the lower settings more useful with smaller screws and the higher settings more useful for larger screws.

General Screwdriving

1. Clamp your work piece.
2. Drill pilot holes for larger screws or when driving screws into hardwoods.
3. Exert enough pressure to start the screw and keep it turning. Do not force the screw. Let the tool do the work.
4. Use a speed that will not strip the screw head or break the screw. Maintain your balance.

General Drilling

1. Clamp your work piece. Use torque setting 16 then exert enough pressure to start the drill bit and keep it cutting. Do not force or stall the bit. Don't bend or twist the bit. Let the tool and the blade do the work.
2. Maintain your balance and be prepared for binding and for when the bit breaks through the material.

⚠ WARNING: Forcing a drill bit, bending or twisting the bit, or failure to maintain balance in case of binding and breakthrough can result in serious personal injury.

3. Chattering or vibration may indicate you need a finer bit or higher speed. If the bit overheats or clogs, it may indicate you need a coarser bit or slower speed setting. Replace bits when they become dull. Dull bits will produce poor results and may overheat the drill.
4. Use a coating of light oil when drilling into metal to keep the bit cool and to facilitate cutting.

MAINTENANCE

CLEANING

Avoid using solvents when cleaning plastic parts. Most plastics are susceptible to damage from various types of commercial solvents and may be damaged by their use. Use clean cloths to remove dirt, dust, oil, grease, etc.

⚠ WARNING: Do not at any time let brake fluids, gasoline, petroleum-based products, penetrating oils, etc., come in contact with plastic parts. Chemicals can damage, weaken or destroy plastic which may result in serious personal injury.

Electric tools used on fiberglass material, wallboard, spackling compounds, or plaster are subject to accelerated wear and possible premature failure because the fiberglass chips and grindings are highly abrasive to bearings, brushes, commutators, etc. Consequently, we do not recommend using this tool for extended work on these types of materials. However, if you do work with any of these materials, it is extremely important to clean the tool using compressed air.

LUBRICATION

This tool is permanently lubricated at the factory and requires no additional lubrication.

TWO-YEAR WARRANTY

This product is warranted free from defects in material and workmanship for 2 years after date of purchase. This limited warranty does not cover normal wear and tear or damage from neglect or accident. The original purchaser is covered by this warranty and it is not transferable. Prior to returning your tool to store location of purchase, please call our Toll-Free Help Line for possible solutions.

THIS PRODUCT IS NOT WARRANTED IF USED FOR INDUSTRIAL OR COMMERCIAL PURPOSES. ACCESSORIES INCLUDED IN THIS KIT ARE NOT COVERED BY THE 2 YEAR WARRANTY.

TOLL-FREE HELP LINE

For questions about this or any other GENESIS Product, please call Toll-Free: **888-552-8665**.

Or visit our web site: **www.richpowerinc.com**

©Richpower Industries, Inc. All Rights reserved

Richpower Industries, Inc.
736 Hampton Road
Williamston, SC 29697

Printed in China, on recycled paper

Genesis

Richpower Industries, Inc.
736 Hampton Road
Williamston, SC USA
www.richpowerinc.com

Free Manuals Download Website

<http://myh66.com>

<http://usermanuals.us>

<http://www.somanuals.com>

<http://www.4manuals.cc>

<http://www.manual-lib.com>

<http://www.404manual.com>

<http://www.luxmanual.com>

<http://aubethermostatmanual.com>

Golf course search by state

<http://golfingnear.com>

Email search by domain

<http://emailbydomain.com>

Auto manuals search

<http://auto.somanuals.com>

TV manuals search

<http://tv.somanuals.com>