

## Specifications

MODEL		GTH-4010	
MEASUREMENTS		Metric	Imperial
Lifting height (max)	9.82 m	32 ft 3 in	
Lifting capacity (max)	4,000 kg	8,818 lbs	
Lift capacity at maximum height	3,500 kg	7,715 lbs	
Lift capacity at maximum reach	2,500 kg	5,511 lbs	
Forward reach (max)	6.07 m	19 ft 11 in	
Reach at maximum height	85 cm	2 ft 9 in	
<b>A</b> Height	2.45 m	8 ft	
<b>B</b> Height at steering wheel	1.84 m	6 ft	
<b>C</b> Width	2.25 m	7 ft 5 in	
<b>D</b> Inside cab width	86 cm	2 ft 10 in	
<b>E</b> Track	1.85 m	6 ft 1 in	
<b>F</b> Wheelbase	2.75 m	9 ft	
<b>G</b> Length at stabilisers	4.44 m	14 ft 7 in	
<b>H</b> Length at fork-holder plate	6.13 m	20 ft 1 in	
<b>I</b> Ground clearance	43 cm	1 ft 5 in	
<b>L</b> Overall width, stabilisers extended	2.93 m	9 ft 7 in	
<b>M1</b> Obstruction angle	37°	37°	
<b>M2</b> Departure angle	39°	39°	

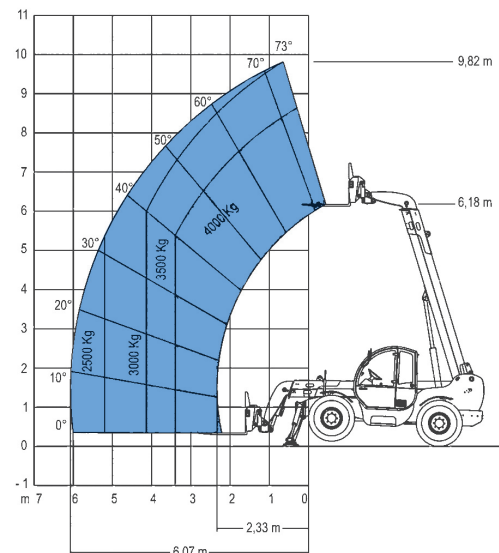
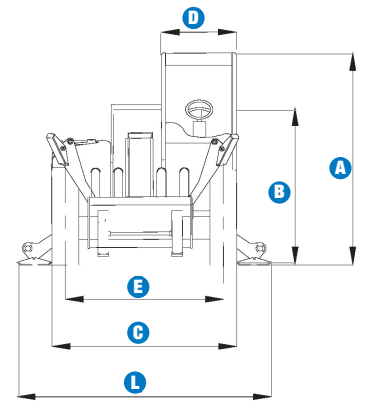
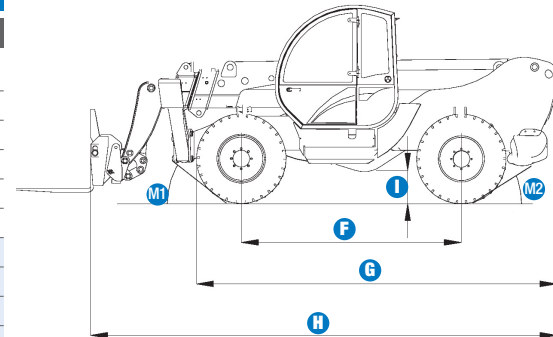
PRODUCTIVITY		
Lifting/lowering speed	13 sec./8 sec.	13 sec./8 sec.
Extension/retraction speed	20 sec./24 sec.	20 sec./24 sec.
Inside/outside turning radius	2.42 m/4.5 m	7 ft 11 in/14 ft 9 in
Break out force	4,500 kg	9,920 lbs
(with 500L shovel SAE J 732/80)		
Towing capacity at dynamometer	8,200 kg	18,076 lbs
Travel speed	30 km/h	18.6 mph
Fork-holder plate rotation	145°	145°
Floating forks	L 1200 mm Section 120x50 mm	L 3 ft 11 in Section 5 in x 2 in
Tyres (DIN 70361)	405/70-20" PR16 8 holes wheel disc	

POWER		
Engine	Deutz Turbo Diesel 60 kW (81.5 HP)	
Tank capacities		
Fuel	92 L	20 gal
Engine oil	8 L	1.75 gal
Hydraulic oil	90 L	19.8 gal
Hydraulic output/pressure	82 L/min-280 bars	18 gal/min-4,061 psi

WEIGHT		
Weight*	9,300 kg	20,500 lbs

**STANDARDS COMPLIANCE** Operating cab conforms to ISO3471 (ROPS) and ISO3449 (FOPS)  
Low emission engine conforms to UE 97/68 directives.

\* Weight will vary depending on options and/or country standards



Lift capacity chart (with stabilisers)

EN1459, Annex B

# Features

## STANDARD FEATURES

### MEASUREMENTS

- 4,000 kg (8,818 lbs) maximum lift capacity
- 9.82 m (32 ft 3 in) maximum lift height
- 6.07 m (19 ft 11 in) maximum forward reach

### PRODUCTIVITY

- Four-wheel drive
- 3 steering modes:
  - front wheel steer
  - crab steer
  - coordinated steer
- Power assisted steering
- Front hydraulic stabilisers
- Two-speed mechanical gearbox
- Hydraulic proportional distributor
- Multifunction proportional joystick hydraulically piloted
- Limited slip differential on front axle
- Floating forks
- Adjustable suspended seat
- Large diameter steering wheel
- Front windscreen wipers
- Front & rear lights
- Oil immersed, multi-disc, self-adjusting brakes on both axles
- Lockable fuel tank
- Longitudinal stability control system with load monitor
- Visible display with coloured LEDs
- Audible alarm
- Automatic lock-out of boom extension and lowering
- Control enable switch

### POWER

- Deutz Turbo Diesel 60 kW (81.5 HP)



## OPTIONS & ACCESSORIES

### PRODUCTIVITY

- Air conditioning
- Hydraulic line on boom
- Attachment holder plate with hydraulic coupling
- Quick coupling for attachments
- Electric pre-arrangement on boom
- Pre-arrangement for mixing bucket
- Second hydraulic line on boom
- Special air filter
- Windshield protection grid
- Adjustable spotlight
- Wiper on cab roof

### ATTACHMENT OPTIONS

- Loading shovel 800 L
- Light material loading shovel 2000 L
- Concrete bucket 500/800 L manual/hydraulic discharge
- Concrete mixing bucket 500 L with remote control
- Brick-holder basket
- Fixed hook on plate
- 4 m jib, 900 kg capacity
- 4 m jib with 900 kg capacity hydraulic winch
- Hydraulic winch 3000 kg
- Water muffler

## European Offices

### UK

The Maltings  
Wharf Road  
Grantham NG31 6BH  
UK  
Tel: +44 (0)1476 584333  
Fax: +44 (0)1476 584334

### France

10, ZA de la Croix St. Mathieu  
28320 Gallardon  
France  
Tel: +33 (0)2 37 26 09 99  
Fax: +33 (0)2 37 26 09 98

### Germany

Finienweg 3  
28832 Achim/Bremen  
Germany  
Tel: +49 (0)4202 8852-0  
Fax: +49 (0)4202 8852-25

### Spain

Gaià 31, Pol. Ind. Plà d'en Coll  
08110 Montcada i Reixac  
Barcelona  
Spain  
Tel: +34 93 572 50 90  
Fax: +34 93 572 50 91

### Scandinavia

Tagenevägen 72  
425 37 Hisings Kärä  
Sweden  
Tel: +46 31 57 51 00  
Fax: +46 31 57 90 20

## Genie United States

18340 NE 76th Street  
P.O. Box 97030  
Redmond, Washington 98073-9730  
USA  
Tel: +1 425 881-1800  
Fax: +1 425 883-3475

**WEB:** [www.genieindustries.com](http://www.genieindustries.com)  
**Email:** [infoeurope@genieind.com](mailto:infoeurope@genieind.com)

### Distributed By:

## Free Manuals Download Website

<http://myh66.com>

<http://usermanuals.us>

<http://www.somanuals.com>

<http://www.4manuals.cc>

<http://www.manual-lib.com>

<http://www.404manual.com>

<http://www.luxmanual.com>

<http://aubethermostatmanual.com>

Golf course search by state

<http://golfingnear.com>

Email search by domain

<http://emailbydomain.com>

Auto manuals search

<http://auto.somanuals.com>

TV manuals search

<http://tv.somanuals.com>