

# SERVICE GUIDE

KYESYSTEMS CORP.



**SP-i160**

## Revision History

Version	Date	Change
1.0	15/01/2010	

## Table of Contents

Revision History .....	2
Table of Contents .....	3
Getting Started .....	4
Conventions Used in this Guide .....	4
Safety Precautions .....	4
Chapter 1. How to Handle Defective Returns.....	5
1.1 Overview .....	5
1.2 Problems .....	6
1.2.1 No sound (Line in jack no function) .....	7
1.2.2 Power LED (indicator) no light.....	8
1.2.3 Li-ION battery can't charge.....	8
Chapter 2. Specifications .....	9
Chapter 3. Block Diagram .....	10
Chapter 4. Exploded View .....	11
Chapter 5. Part List .....	12
Chapter 6. Schematic Diagram .....	13
Chapter 7. Important Notes .....	14
7.1 Packing Requirement for Sending the PCB Assembly by Post .....	14
7.2 Short of Spare Parts while Repairing a Speaker System .....	14

## Getting Started

### Conventions Used in this Guide

**Pay Special Attention** : Instructions that are important to remember and may prevent mistakes .

**Caution** : Information that, if not followed, may result in damage to the product .

### Safety Precautions

The following precautions should be observed in handling the speaker Described in this guide :

Place the speakers on a flat, level and stable surface.

Do not place the speakers in environments subject to mist, smoke, vibration, excessive dust, salty or greasy air, or other corrosive gases and fumes.

Do not drop or jolt the speakers.

Do not allow anything to drop into the subwoofer case through its ventilator, as it could result in fatal electric shock or fire .

Place the unit far enough from other equipments for good heat dissipation .

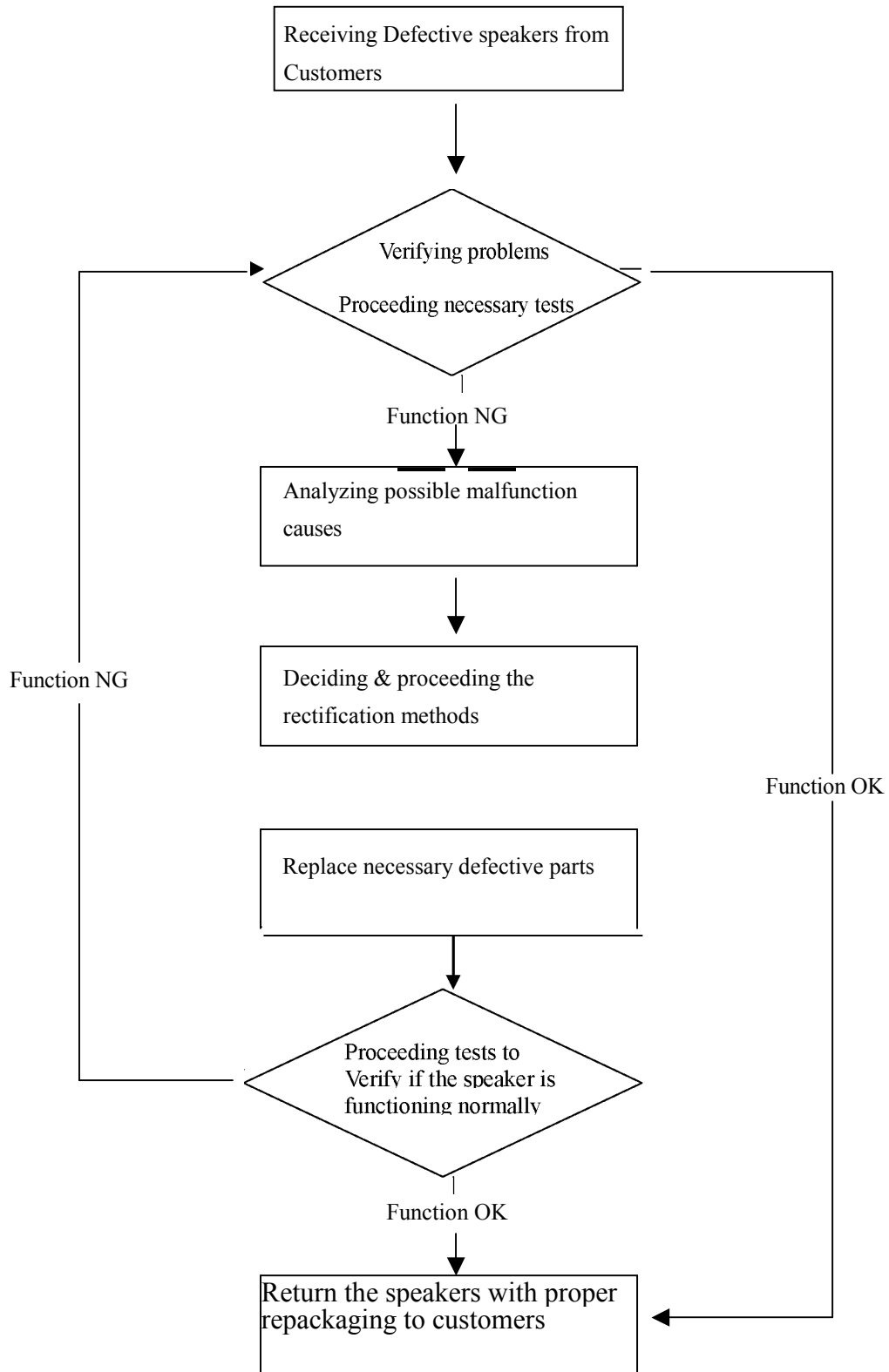
Disconnect the AC power cord from the AC outlet before performing any maintenance on the speakers .

Do not perform any maintenance with wet hand .

Prevent foreign substances, such as water, other liquids or chemicals , From entering the speakers while performing maintenance procedures on the speakers .

# Chapter 1. How to Handle Defective Returns

## 1.1 Overview



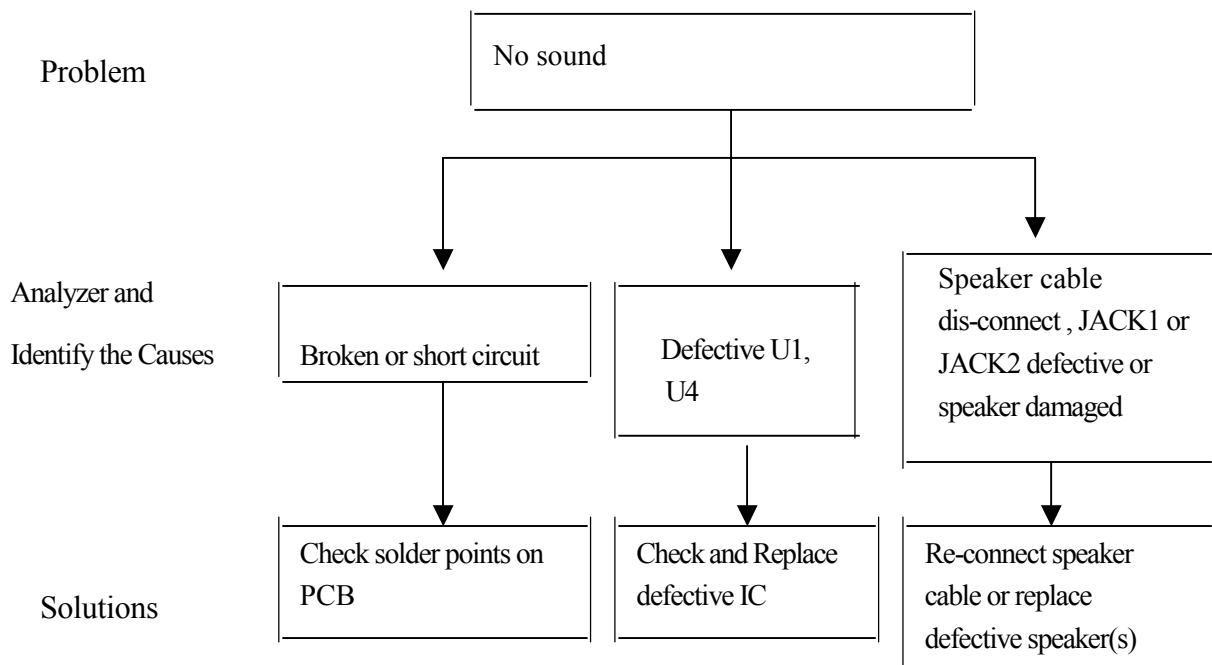
## 1.2 Problems

Item	Problem Description
1.2.1	No sound (Line in jack no function)
1.2.2	Power LED (indicator) no light
1.2.3	Li-ION battery can't charge

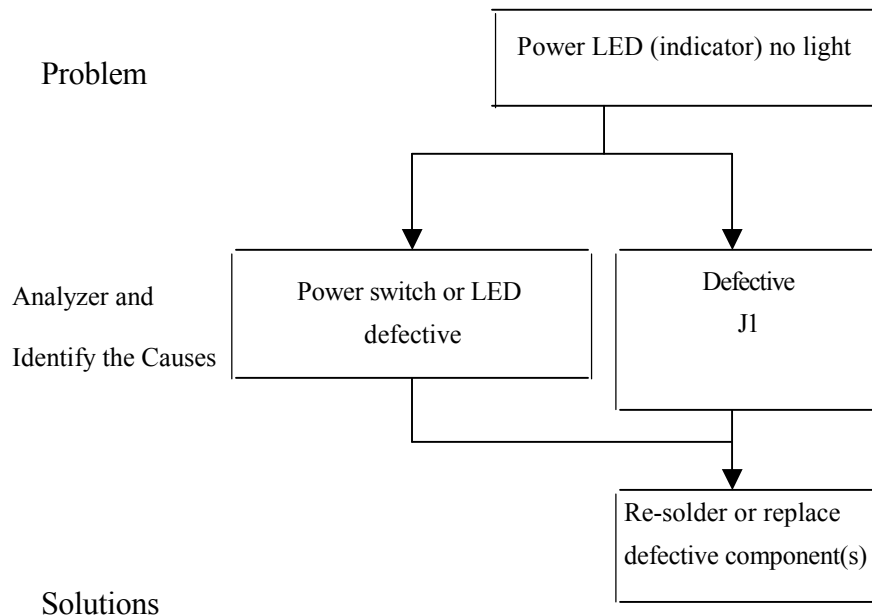
## Attention

Please follow the numbered sequence marked within parenthesis given in individual Flow chat, in that this is the best-recommended sequence to rectify the problems.

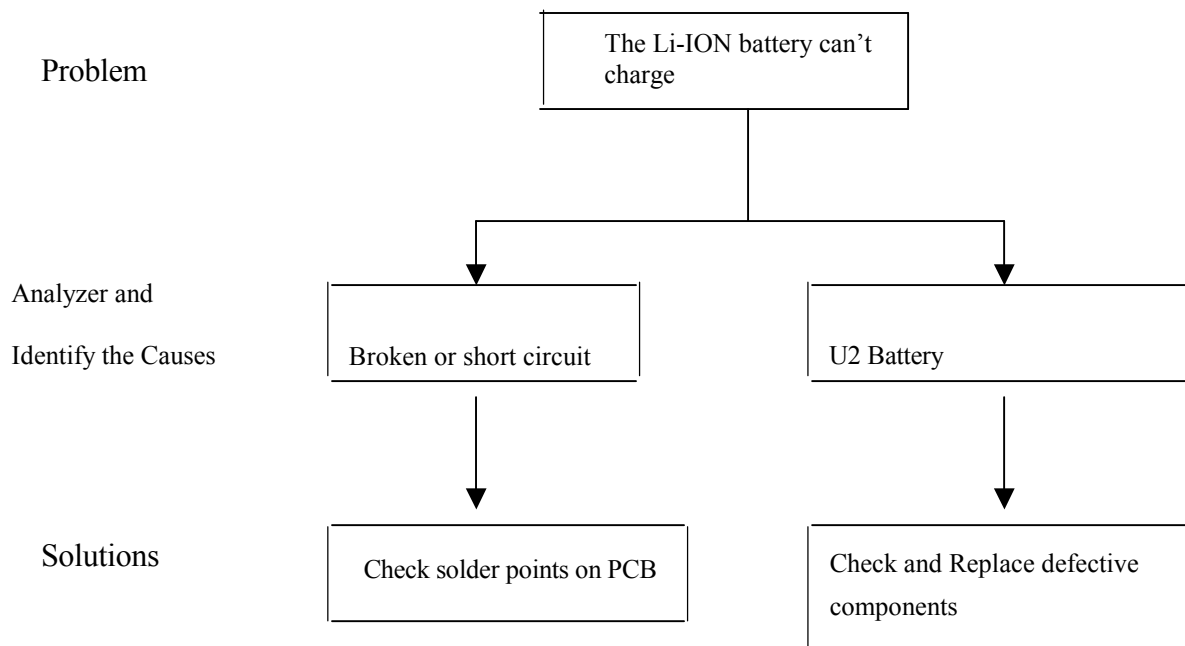
### 1.2.1 One or more channels no sound (Line in jack no function)



## 1.2.2 Power LED (indicator) no light



## 1.2.3 The Li-ION Battery can't charge

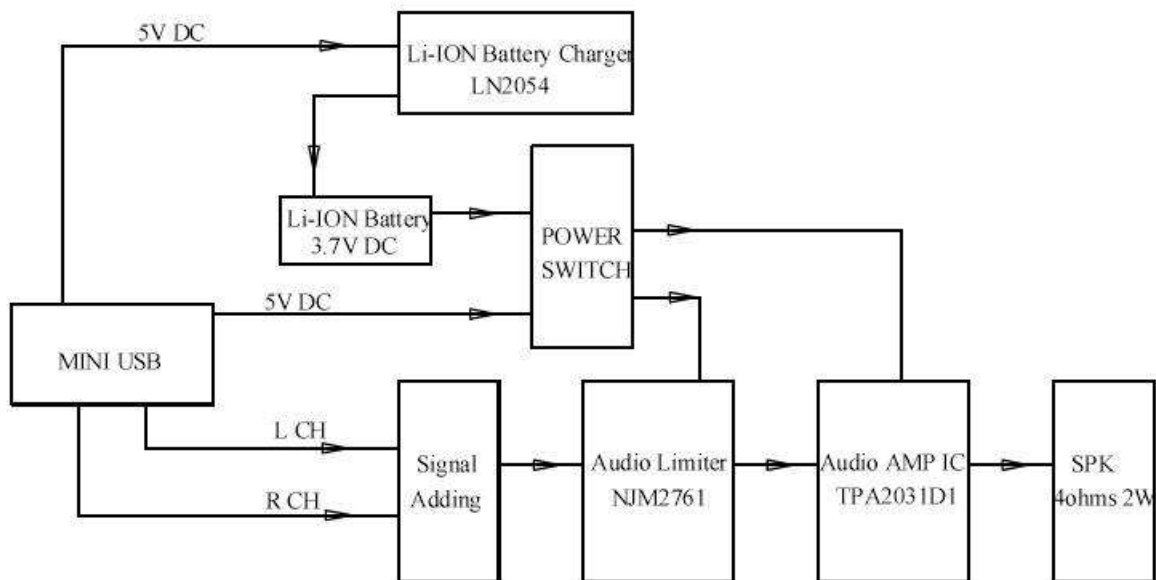




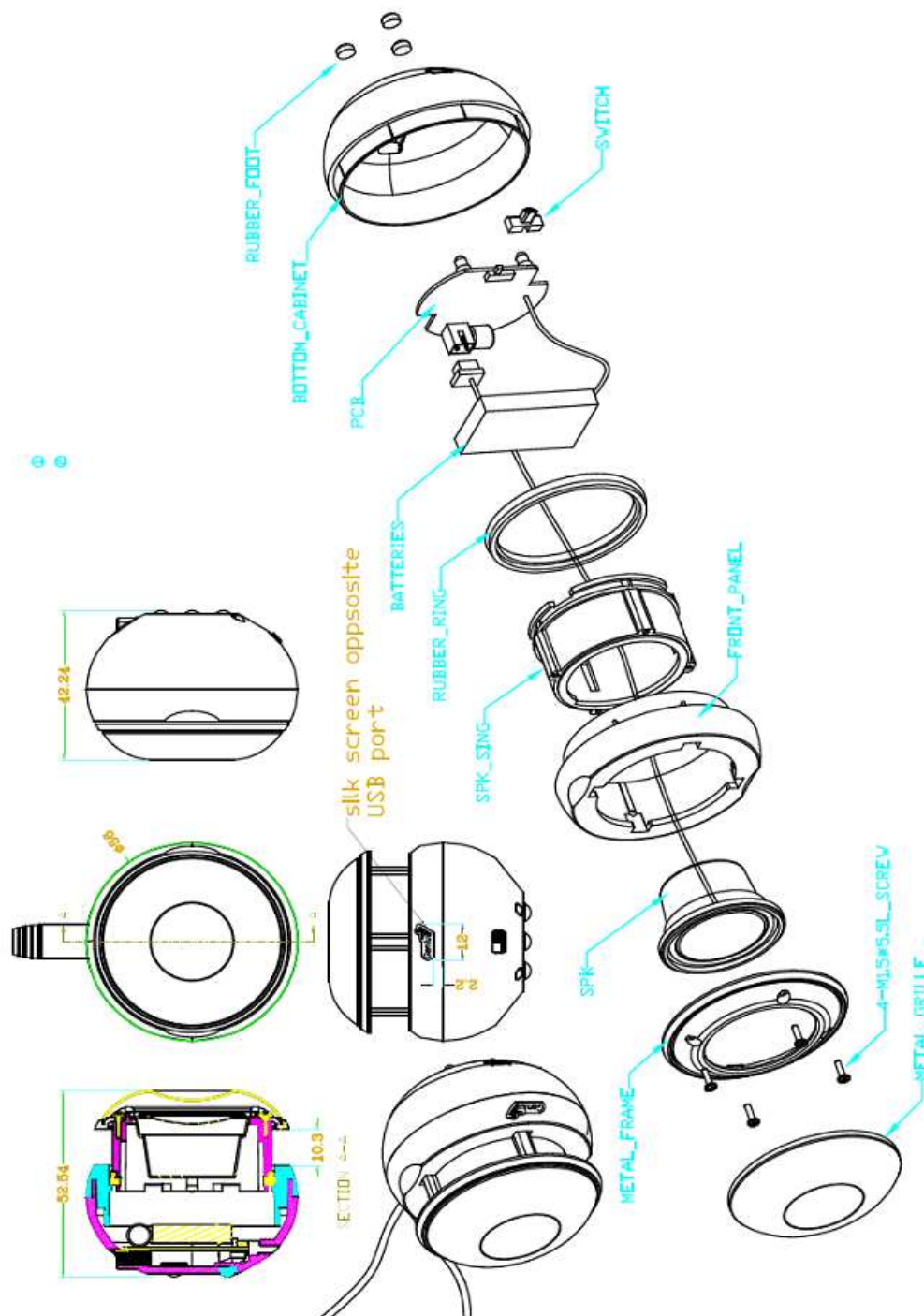
## Chapter 2. Specifications

NO.	Description	Unit	Specifications
1	Out Power at THD 10%	W	$\geq 1.8$
2	Sensitivity	mV	$600 \pm 50$
3	Freq. Response (1KHz -3dB)	Hz	$180 \sim 20K \pm 10\%$
4	Separation	dB	$\geq 40$
5	S/N ratio	dB	$\geq 80$
6	Hum & Noise (Vol.: max)	mV	$\leq 2$

## Chapter 3. Block Diagram



Chapter 4. Exploded View

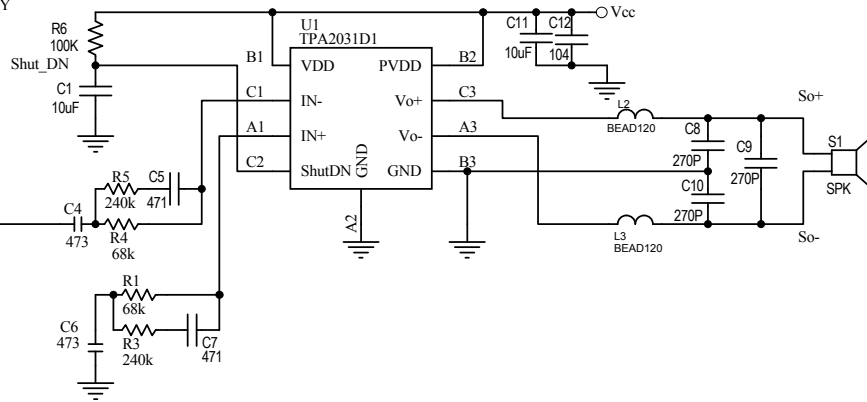
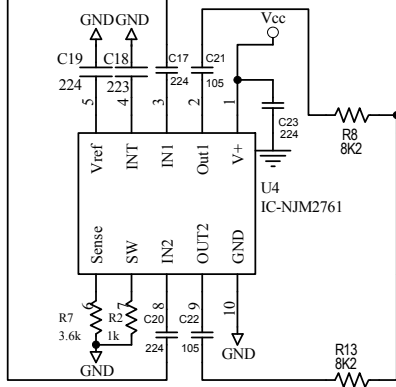
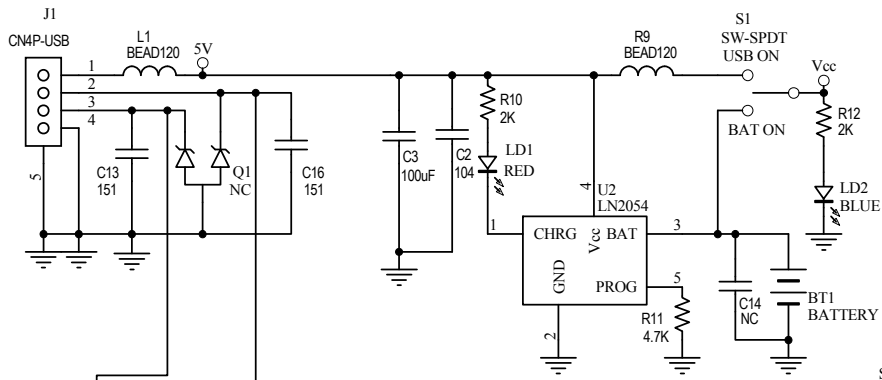


## Chapter 5. Part List

No.	DESCRIPTION	Qty	UNIT	Part No.
1	RS,ASM,SP-I160,HOST,BLACK	1	PC	31730952100
	RS,ASM,SP-I160,HOST,WHITE			31730952101
2	Loud Speaker 1.25" 4 ohm 1~2W	1	PC	FSA510112-1402
3	Rubber Pad(Φ4.8 X 2.3T), SP-i160	3	PC	15400009100
4	PCBA, SP-i160	1	PC	ASL507003-0026
5	IC, JRC NJM2761	1	PC	
6	IC, T1 TPA2031D1	1	Set	RCI203101-0001
7	IC, LN,LN2054	1	PC	
8	BATTERY, SP-i160	1	PC	FBY508037-0003
9	FANNEL BAG SP-i160	1	PC	12290076100
10	S/N LABEL SP-i160	2	PC	12061017100
11	CARD SP-i160 / B	1	PC	12020186100
12	CARD SP-i160 / W			12020187100
13	INNER TRAY SP-i160	1	PC	12150227100
14	PET BOX, SP-i160	1	PC	12140001100
15	Anti-fake Label ( on Gift Box )	1	PC	12061993100
16	Carton, SP-i160	1/50	PC	12100465100
17				

## Chapter 6. Schematic Diagram

Pls refer to next page



Title		
Size A4	Number <b>SP-i160</b>	Revision VER090820
Date: 21-Jan-2010	Sheet of	
File: E:\MODEL INFO\KYE\F4\Mr Pai.ddb	Drawn By:	

## Chapter 7. Important Notes

### 7.1 Packing Requirement for Sending the PCB Assembly by Post

PCB assembly is a kind of sophisticated electronic circuit board. Well packing will be required when sending them by post.

\* Some sophisticated IC components are mounted on the PCB assembly, hence it is necessary to pack each PCB assembly with a separate static protecting bag, in order to avoid static electricity.

\* Reliable external packing is also very important when sending PCB assembly by post, in that it would avoid unnecessarily lost or damage.

### 7.2 Short of Spare Parts while Repairing a Speaker System

If you are short of spare parts when you have some speaker systems waiting to be repaired, it would be recommended to take the necessary parts from one speaker system, so that you may have the as many speaker systems.

## Free Manuals Download Website

<http://myh66.com>

<http://usermanuals.us>

<http://www.somanuals.com>

<http://www.4manuals.cc>

<http://www.manual-lib.com>

<http://www.404manual.com>

<http://www.luxmanual.com>

<http://aubethermostatmanual.com>

Golf course search by state

<http://golfingnear.com>

Email search by domain

<http://emailbydomain.com>

Auto manuals search

<http://auto.somanuals.com>

TV manuals search

<http://tv.somanuals.com>