

GEORGE FOREMAN®

THE LEAN MEAN FAT REDUCING GRILLING MACHINE®

Please Read and Save this Use and Care Book

Por favor lea este instructivo antes de usar el producto



Customer Care Line:

USA/Canada
1-800-231-9786

Accessories/Parts (USA / Canada)
Accesorios/Partes (EE.UU / Canadá)

1-800-738-0245

For **online customer service**
and to **register** your product, go to
www.prodprotect.com/applica
Also view the details for our
latest **sweepstakes!**



Models Modelos

- GRP72CTTS
- GRP72CTTSQ
- GRP72CTTSBQ
- GRP72CTTSRQ

IMPORTANT SAFEGUARDS

When using electrical appliances, basic safety precautions should always be followed, including the following:

- Read all instructions.
- Do not touch hot surfaces. Use handles or knobs.
- To protect against electrical shock do not immerse cord, plugs or appliance in water or other liquid.
- Close supervision is necessary when any appliance is used by or near children.
- Unplug from outlet when not in use and before cleaning. Allow to cool before putting on or taking off parts.
- Do not operate any appliance with a damaged cord or plug, or after the appliance malfunctions or has been damaged in any manner. Return appliance to the nearest authorized service facility for examination, repair or adjustment. Or, call the appropriate toll-free number on the cover of this manual.
- The use of accessory attachments not recommended by the appliance manufacturer may cause injuries.
- Do not use outdoors.
- Do not let cord hang over edge of table or counter, or touch hot surfaces.
- Do not place on or near a hot gas or electric burner, or in a heated oven.
- Extreme caution must be used when moving an appliance containing hot oil or other hot liquids.
- To disconnect, turn any control to OFF (O), then remove plug from wall outlet.
- Do not use this appliance for other than intended use.
- Be sure removable plates are assembled and fastened properly.
- The appliance is only to be operated in the closed position.

SAVE THESE INSTRUCTIONS.

This product is for household use only.

POLARIZED PLUG (120V Models Only)

This appliance has a polarized plug (one blade is wider than the other).

To reduce the risk of electric shock, this plug is intended to fit into a polarized outlet only one way. If the plug does not fit fully into the outlet, reverse the plug. If it still does not fit, contact a qualified electrician. Do not attempt to modify the plug in any way.

TAMPER-RESISTANT SCREW

Warning: This appliance is equipped with a tamper-resistant screw to prevent removal of the outer cover. To reduce the risk of fire or electric shock, do not attempt to remove the outer cover. There are no user-serviceable parts inside. Repair should be done only by authorized service personnel.

ELECTRICAL CORD

- a) A short power-supply cord (or detachable power-supply cord) is to be provided to reduce the risk resulting from becoming entangled in or tripping over a longer cord.
- b) Longer detachable power-supply cords or extension cords are available and may be used if care is exercised in their use.
- c) If a long detachable power-supply cord or extension cord is used,
 - 1) The marked electrical rating of the detachable power-supply cord or extension cord should be at least as great as the electrical rating of the appliance,
 - 2) If the appliance is of the grounded type, the extension cord should be a grounding-type 3-wire cord, and
 - 3) The longer cord should be arranged so that it will not drape over the countertop or tabletop where it can be pulled on by children or tripped over.

Note: If the power supply cord is damaged, it should be replaced by qualified personnel or in Latin America by an authorized service center.

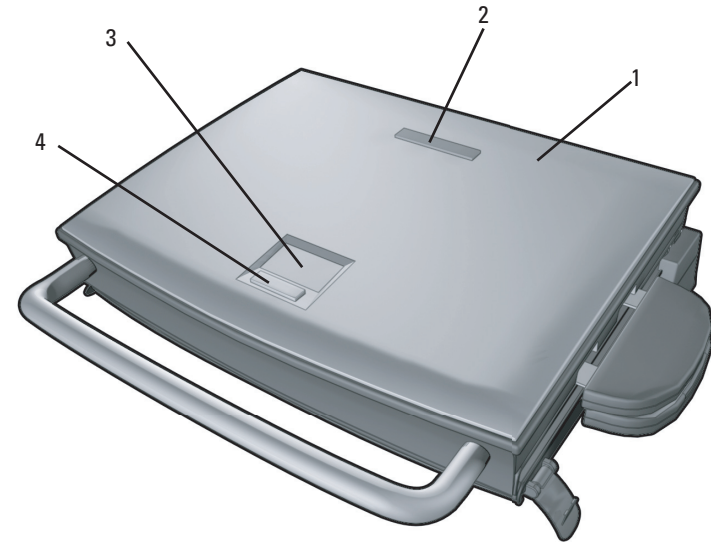
Product may vary slightly from what is illustrated



A1

1. Extended metal loop carrying handle
- † 2. Removable grill plate (upper) (Part # GRP72-01)
3. Float & lock hinge
4. On/Off (I/O) switch
5. Grill plate release handles (both sides)
- † 6. Removable grill plate (lower) (Part # GRP72-02)
7. Safety locking side latches (both sides)
8. Power cord
- † 9. Drip tray (Part # GRP72-03)
- † 10. Spatula (Part # GRP72-04)

Note: † indicates consumer replaceable/removable parts



A2

1. Grill cover with safe-touch top housing
2. On indicator light
3. Digital display countdown timer
4. Timer control button

How to Use

This product is for household use only.

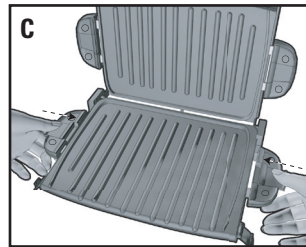
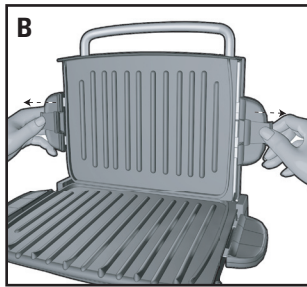
GETTING STARTED

- Remove all packing material and any stickers.
- Remove and save literature.
- Please go to www.prodprotect.com/applica to register your warranty.
- Wash all removable parts and/or accessories as instructed in CARE AND CLEANING section of this manual.
- Select location where unit is to be used, leaving enough space between back of unit and wall to allow heat to flow without damage to cabinets and walls.

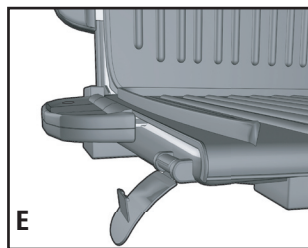
ATTACHING THE GRILL PLATES

Important: This appliance should always be used with 2 plates securely attached.

1. Securely attach top and bottom plates of the appliance using the grill plate release handles on each side of the plates (**B and C**).

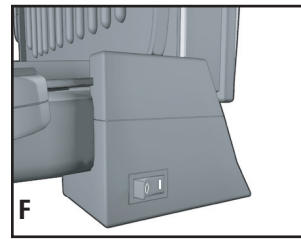


2. Place drip tray under front sloped section of the grill (**D**).
Important: When attaching grill plates, be sure they are securely attached using the release handles on each side of the plates.



PREHEATING THE GRILL

1. Close cover on grill.
Important: Be sure locking side latches are opened fully and away from the grill plates (E).
2. Unwind cord and plug into standard electrical outlet.



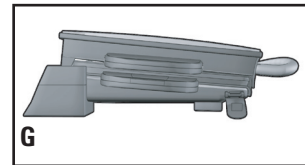
3. Press the On/Off (I/O) switch on bottom right side of the grill to ON (I) position to begin preheating (**F**).
4. Digital display located on the top of the grill will show "on".
5. Allow grill to preheat for at least 5 minutes before grilling. If desired, use the countdown timer. (Timer works independently of heating elements.)

GRILLING IN THE FLOATING HINGE POSITION

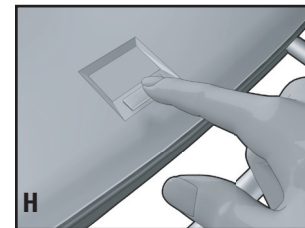
The floating hinge position allows for grilling extra thick foods. In this position, the upper grill plate rests on top of the food.

1. Using a pot holder, carefully open the preheated grill.
2. Before first use, lightly oil both grill plates, if desired.
3. Carefully place foods to be cooked on lower grill plate of preheated grill.
This grill model usually accommodates 2 to 4 servings.

Note: Do not overload the grill plate.



4. Close grill cover in **Floating Hinge** position (**G**) with the cover closing directly onto the food.



5. Press timer control button (**H**) to select desired amount of time food will cook. Timer has a maximum of 20 minutes.

Note: Use suggested cooking times found in the GRILLING CHART on pages 8-10.

6. Tap the timer control button on right side of button to change the time in 1-minute increments. Press button on left side to have timer change rapidly.
7. Timer only goes up in time. If you have passed your desired time, simply press button on left side and allow timer to cycle back.
8. Allow food to cook for the selected time.

Important: Do not leave the appliance unattended during use.

9. Light pressure can be used on the handle to press and heat food to your liking. This feature is especially handy when preparing grilled sandwiches or panini and grilling thick pieces of meat and poultry.

Important: Do not exert excessive pressure when using handle to press; use only light pressure to avoid putting extreme stress on float & lock hinge.

10. During cooking, digital display will count down your selected time. When selected time has elapsed, the grill will give an audible signal.
11. After selected time, the food should be done. If you would prefer longer cooking, simply follow the steps in this section beginning at step 4.
12. Using a pot holder, carefully open the grill cover.
13. Remove cooked food using plastic spatula provided.

Note: Always use heatproof plastic, nylon or wood utensils to avoid scratching nonstick surface of grill plates. Never use metal skewers, tongs, forks or knives.

14. Press On/Off (I/O) switch to turn grill off.

Important: Heating elements will continue to be ON until the On/Off (I/O) switch is pressed or the appliance is unplugged.

15. Allow the drip tray to cool before removing it from under the grill. Wash and dry the drip tray after each use.

Caution: Do not remove grill plates while appliance is hot. Always allow them to cool to room temperature before removing or cleaning.

SUGGESTED GRILLING CHART FOR MEATS, POULTRY, FISH AND SANDWICHES

The following are meant to be used as a guideline only. Times reflect a full grill of food. Cooking time will depend upon thickness and cut being used. Use a cooking thermometer as a test for doneness. If food needs longer cooking, check periodically to avoid overcooking food.

FOOD	COOKING TIME	COMMENTS
MEAT		
Hamburger (5 oz.)	4 – 6 minutes	¾-inch thick Cooked to medium (160°F)
Frozen hamburgers (5 oz.)	5 – 6 minutes	¾-inch thick Cooked to medium (160°F)
Flank steak (¾ lb.)	6 – 8 minutes	¾-inch thick Cooked to medium rare (145°F)
Skirt steak (½ lb.)	4 – 6 minutes	¾-inch thick Cooked to medium (160°F)
NY strip steak (shell steak) (6 oz.)	6 – 8 minutes	¾-inch thick Cooked to medium rare (145°F)
Hamburger (5 oz.)	4 – 6 minutes	¾-inch thick Cooked to medium (160°F)
Frozen hamburgers (5 oz.)	5 – 6 minutes	Cooked to medium (160°F)
Flank steak (¾ lb.)	6 – 8 minutes	¾-inch thick Cooked to medium rare (145°F)
Skirt steak (½ lb.)	4 – 6 minutes	Cooked to medium (160°F)
NY strip steak (shell steak) (6 oz.)	6 – 8 minutes	¾-inch thick Cooked to medium rare (145°F)
Beef tenderloin (5 oz.)	4 – 6 minutes	¾-inch thick Cooked to medium rare (145°F)
Beef kabobs	5 – 7 minutes	Cooked to medium (160°F)
Pork loin chops, boneless	4 – 6 minutes	¾-inch thick Cooked to 160°F
Pork loin chops, bone in	4 – 6 minutes	½ -inch thick Cooked to 160°F
Sausage, link or patty	4 – 6 minutes	Cooked to 160°F
Hot dogs	4 – 5 minutes	Cooked to 168°F

FOOD	COOKING TIME	COMMENTS
MEAT		
Bacon	6 – 8 minutes	Cook until crisp
Smoked pork loin chops, boneless	4 – 6 minutes	Cooked to 160°F
Lamb chops, loin	5 – 7 minutes	¾-inch thick Cooked to medium (160°F)
POULTRY		
Chicken breast, boneless and skinless (8 oz.)	11 – 13 minutes	Cooked to 170°F
Chicken tenderloins (4 to 6 pieces)	4 – 6 minutes	Cooked to 170°F
Turkey tenderloin (¾ lb.)	9 – 11 minutes	Cooked to 170°F
Turkey burgers (5 oz.)	4 – 6 minutes	Cooked to 170°F
FISH		
Tilapia fillets (6 oz., ea.)	5 – 7 minutes	Cooked to 145°F
Trout fillet (6 oz.)	4 – 6 minutes	Cooked to 145°F
Salmon fillet (8 oz. piece)	5 – 7 minutes	Cooked to 145°F
Salmon steak (8 oz.)	7 – 9 minutes	Cooked to 145°F
Tuna steak (6 oz.)	4 – 6 minutes	Cooked to 145°F
Shrimp	3 – 4 minutes	Cooked to 145°F
SANDWICHES		
Grilled cheese	2 – 3 minutes	Cook until cheese is melted and sandwich is golden
Grilled cheese with tomato tuna, ham or bacon	3 – 4 minutes	Cook until cheese is melted and sandwich is golden
Quesadillas	2 – 3 minutes	Cook until cheese is melted and tortilla is lightly browned

Please note: To be sure your food is fully cooked the USDA recommends the following guidelines. Use a meat thermometer to test for doneness by inserting the meat thermometer into the center of the food being cooked and make sure the thermometer is not touching the bone or grill plates.

FOOD TO BE COOKED	MEDIUM	WELL DONE OR FULLY COOKED
MEAT		
Chicken Breast		170°F 77°C
Chicken Thigh		180°F 82°C
Beef / Lamb / Veal	160°F 71°C	170°F 77°C
Pork		160°F 71°C
Reheated cooked meats and poultry		165°F 74°C

GRILLING FRUITS AND VEGETABLES

The following are meant to be used as a guideline only. The times reflect a full grill of food. Cooking time will depend upon thickness of food. Use a fork inserted into the center of the food to test for doneness. (Be careful not to touch the grill plate.) If the food needs longer cooking, check periodically to avoid overcooking the food.

FOOD	GRILLING TIME
Asparagus spears	4 – 6 minutes
Bell peppers, assorted colors cut into ½-inch rings	5 – 7 minutes
Mushrooms, thickly sliced	4 – 5 minutes
Onion slices, ½-inch	5 – 7 minutes
Potato slices, ½-inch	15 – 18 minutes
Portobello mushrooms, 3-inch diameter	4 – 6 minutes
Zucchini slices, ½-inch	3 – 4 minutes
Fresh pineapple slices, ½-inch	2 – 4 minutes

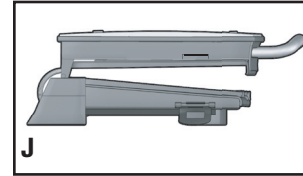
GRILLING TIPS

- To prevent heat loss and promote even cooking, do not open the grill cover frequently while cooking.
- Do not overfill grill; it will hold 2 to 4 servings comfortably.
- When first cooking a particular food, check for doneness several minutes before suggested time; if necessary, adjust timer using control button.
- If cooking more than one piece of food, try to have them similar in size and thickness.
- Remember that since grill is cooking from both sides, cooking time will typically be shorter than expected. Watch carefully to avoid overcooking.
- For added flavor, add dry seasonings before grilling or marinate foods before cooking.

USING THE LOCKING HINGE POSITION

This feature keeps upper grill plate above food on lower grill plate.

1. This grill has a unique hinge that allows the grill cover to adjust to the thickness of food being grilled. This allows for even melting of cheese on top of hot cooked hamburgers.
2. If the grill is not hot, preheat grill following directions under PREHEATING THE GRILL.
3. Lift handle of the grill cover up and forward into the locking position of float & lock hinge.



4. Lower the grill cover into the BROILING position above the food (J).
5. Allow food to cook for desired time.
6. For even browning and cooking, when grilling more than one sandwich or piece of meat, it is important that the thickness of each be about the same.

Care and Cleaning

This product contains no user serviceable parts. Refer service to qualified service personnel.

CLEANING

Caution: To avoid accidental burns, allow grill to cool thoroughly before cleaning.

1. Before cleaning, unplug grill from wall outlet and allow to cool.

Important: Heating elements will continue to be ON until the On/Off (I/O) switch is pressed or the appliance is unplugged.

2. Place drip tray under front of grill (see illustration D). Use plastic spatula to scrape off any excess fat and food particles left on the grill plates; runoff will drip into the drip tray. Wipe plates dry with a paper towel or sponge to avoid grease dripping onto your counter when plates are removed.
3. Remove plates as instructed in HOW TO USE (see illustrations B and C). To clean grill plates, wash in warm, soapy water; dry thoroughly with a paper towel.
4. Empty drip tray and wash in warm, soapy water; dry thoroughly with a paper towel.
5. Reinstall grill plates (see illustrations B and C), making sure they are securely attached to grill body.

Note: Removable grill plates are also dishwasher-safe. If washing grill plates in a dishwasher, wipe uncoated side with a dry towel to prevent discoloration. Dishwasher detergent may cause oxidation on uncoated side of grill plate. This is not harmful and can be wiped off with a damp towel.

6. To remove stubborn buildup, use a nylon or nonmetallic scrubbing pad to clean the grill plates.

Important: Do not use metallic scrubbing pads, steel wool or any abrasive cleaners to clean any part of your grill; use only nylon or nonmetallic scrubbing pads.

7. To clean the grill cover, wipe with a warm, wet sponge and dry with a soft, dry cloth.

Important: Do not immerse body of grill in water or any other liquid.

8. Any servicing requiring disassembly other than the above cleaning must be preformed by a qualified electrician.

Caution: Make sure to hold grill cover by the handle while cleaning to prevent accidental closing and injury.

STORAGE

- Always make sure grill is clean and dry before storing.
- Be sure locking side latches are fully closed and locked before storing grill. This allows you to store the grill vertically.

TROUBLESHOOTING

PROBLEM	POSSIBLE CAUSE	SOLUTION
Finish on grill plates has cut marks.	Metal utensils have been used.	Always use heatproof plastic, nylon or wood utensils to avoid scratching nonstick surface of grill plates. Never use metal skewers, tongs, forks or knives.
Grill marks on food are very light.	Grill was not fully preheated before use.	Always preheat grill at least 5 minutes before cooking any foods.
There is food buildup on grill plates.	Grill not properly cleaned after use.	Use nylon scrubbing pad and hot, soapy water to clean grill plates. Do not use steel wool scrubbing pads or abrasive cleaners to clean grill.
Food is dry and burnt.	Food is overcooked.	Because grill is cooking from both sides, food is cooked much faster than in a skillet or under a broiler. Use cooking chart as a guide and check food at lowest time stated on chart.
Grill does not turn on.	Grill is not plugged in.	Check to be sure appliance is plugged into working outlet and On/Off (I/O) switch in the ON (O) position.
Grill plate has white spots on it.	The water from cleaning has dried on the surface of the grill plates.	Dry grill plates immediately after washing.

RECIPES

ASIAN FLAVORED GRILLED STEAKS

- ¼ cup chopped onion
- 1 tbsp. finely diced fresh ginger
- ¼ cup low sodium soy sauce
- ¼ cup rice wine vinegar
- 1 tbsp. sesame oil
- 2 New York strip (shell) steaks, about 6 to 8 oz., each
- ¼ tsp. kosher salt
- ⅛ tsp. garlic pepper
- ¼ cup sliced green onion
- 2 tbsp. minced red pepper

Preheat grill at highest setting for at least 8 minutes.

In small bowl, combine first 5 ingredients; stir to blend. Cover and set aside. Season steaks with kosher salt and garlic pepper. Place on preheated grill.

Close grill and cook to desired doneness.

Remove steaks to serving platter. Sprinkle green onion and red pepper. Drizzle with reserved ginger sauce.

Makes 2 servings.

GRILLED LAMB CHOPS WITH PINAPPLE MANGO SALSA

½ cup cubed fresh mango
½ cup cubed fresh pineapple
¼ cup diced shallots
¼ cup diced red pepper
2 tbsp. chopped Italian parsley
1 tsp. sugar
½ tsp. garlic pepper
¼ tsp. ground cumin
¼ cup fresh lime juice
4 lamb chops, cut 1¼ inch thick (about 1 lb.)
Olive oil
¼ tsp. kosher salt
⅛ tsp. garlic pepper

Preheat grill at highest setting for at least 8 minutes.

In small bowl, combine first 9 ingredients; stir to blend. Cover and set aside.

Brush chops with olive oil and season with kosher salt and garlic pepper. Place chops on preheated grill.

Close grill and cook lamb chops for 12 minutes or to desired doneness.

Remove lamb chops to serving platter. Serve with prepared salsa.

Makes 4 servings.

CHURRASCO

1 tsp. Adobo seasoning mix
1 tsp. instant minced onion
½ tsp. dried pepper flakes
½ tsp. garlic pepper
¾ lb. skirt steak

In small bowl, combine seasonings. Sprinkle evenly on both sides of steak. Refrigerate while preheating grill.

Grill 3 to 5 minutes, to desired doneness.

Slice into strips to serve.

Makes 2 servings.

CROQUE MONSIEUR A LA GEORGE FOREMAN®

¼ cup Egg Beaters
¼ cup milk
¼ tsp. salt
4 slices white bread
1 tbsp. honey mustard
4 oz. sliced ham
4 oz. sliced low-fat Swiss cheese
4 oz. sliced turkey

In glass pie plate or shallow dish, combine egg beaters, milk and salt; blend well. Place 2 slices of bread on cutting board, spread honey mustard on bread. Top each slice of bread with ham, cheese and turkey. Cover with remaining slices of bread.

Dip sandwiches into egg mixture and turn to coat both sides.

Place on preheated grill and close cover. Grill 3 minutes or until sandwich is golden and cheese is melted.

Makes 2 sandwiches.

HAM AND PINEAPPLE GRILLED SANDWICH

¼ cup pineapple preserves
¼ cup chopped canned peaches
1 tbsp. finely diced candied ginger
4 slices sour dough bread
4 oz. thinly sliced ham
4 oz. brie, sliced
2 tbsp. melted butter

In small bowl, combine preserves, peaches and ginger; set aside. Spread melted butter on one side of each slice of bread.

Place 2 slices of bread buttered side down on cutting board, spread pineapple mixture on bread. Top each slice of bread with ham and cheese. Cover with remaining slices of bread with buttered side up.

Place on preheated grill and close cover. Grill 3 minutes or until sandwich is golden and cheese is softened.

Makes 2 sandwiches.

GRILLED REUBEN

- ¼ cup sauerkraut
- 4 tsp. melted butter
- 4 slices rye bread
- 4 tbsp. fat free Thousand Island dressing
- 4 oz. thinly sliced lean corned beef
- 4 oz. low-fat Swiss cheese

Rinse sauerkraut under running water and dry well. Spread melted butter on one side of each slice of bread.

Place 2 slices of bread buttered side down on cutting board, spread dressing on bread. Top each slice of bread with corned beef, sauerkraut and cheese. Cover with remaining slices of bread with buttered side up.

Place on preheated grill and close cover. Grill 3 minutes or until sandwich is golden and cheese is softened.

Makes 2 sandwiches.

TURKEY SALSA ROLL

- ¼ cup packaged salsa
- 1 tbsp. minced purple onion
- 1 tbsp. chopped cilantro
- 2 large tomato wraps
- 4 oz. sliced turkey
- 4 oz. shredded Monterey Jack cheese with jalapeno peppers

In small bowl, combine salsa, onion and cilantro; set aside.

Place wraps on cutting board, spread salsa down center of wrap. Top each with turkey and cheese. Fold in sides and roll-up. Place end side down on preheated grill and close cover. Grill 3 minutes or until sandwich is golden and cheese is melted.

Makes 2 sandwiches.

INSTRUCCIONES IMPORTANTES DE SEGURIDAD

Cuando se usan aparatos eléctricos, siempre se deben respetar las siguientes medidas básicas de seguridad:

- Por favor lea todas las instrucciones.
- No toque las superficies calientes. Use las asas o las perillas.
- A fin de protegerse contra un choque eléctrico y lesiones a las personas, no sumerja el cable, los enchufes ni el aparato en agua ni en ningún otro líquido.
- Todo aparato eléctrico usado en la presencia de los niños o por ellos mismos requiere la supervisión de un adulto.
- Desconecte el aparato del tomacorriente cuando no esté en uso y antes de limpiarlo. Espere que el aparato se enfríe antes de instalarle o retirarle piezas y antes de limpiarlo.
- No use ningún aparato eléctrico que tenga el cable o el enchufe averiado, que presente un problema de funcionamiento o que esté dañado. Acuda a un centro de servicio autorizado para que lo examinen, reparen o ajusten o llame gratis al número correspondiente en la cubierta de este manual.
- El uso de accesorios no recomendados por el fabricante del aparato puede ocasionar incendio, choque eléctrico o lesiones a las personas.
- No use este aparato a la intemperie.
- No permita que el cable cuelgue del borde de la mesa o del mostrador ni que entre en contacto con superficies calientes.
- No coloque el aparato sobre ni cerca de las hornillas de gas o eléctricas ni adentro de un horno caliente.
- Tome mucha precaución al mover de un lugar a otro un aparato que contenga aceite u otros líquidos calientes.
- Para desconectar, ajuste todo control a la posición de apagado (0) y después, retire el enchufe del tomacorriente.
- Este aparato se debe usar únicamente con el fin previsto.
- Asegúrese de que las placas removibles estén colocadas y ajustadas correctamente.
- Este aparato solo debe dejarse funcionar en posición cerrada.

CONSERVE ESTAS INSTRUCCIONES.
Este aparato eléctrico es para uso doméstico solamente.

ENCHUFE POLARIZADO (Solamente para los modelos de 120V)

Este aparato cuenta con un enchufe polarizado (un contacto es más ancho que el otro). A fin de reducir el riesgo de un choque eléctrico, este enchufe encaja en un tomacorriente polarizado en un solo sentido. Si el enchufe no entra el tomacorriente, inviértalo y si aun así no encaja, consulte con un electricista. Por favor no trate de alterar esta medida de seguridad.

TORNILLO DE SEGURIDAD

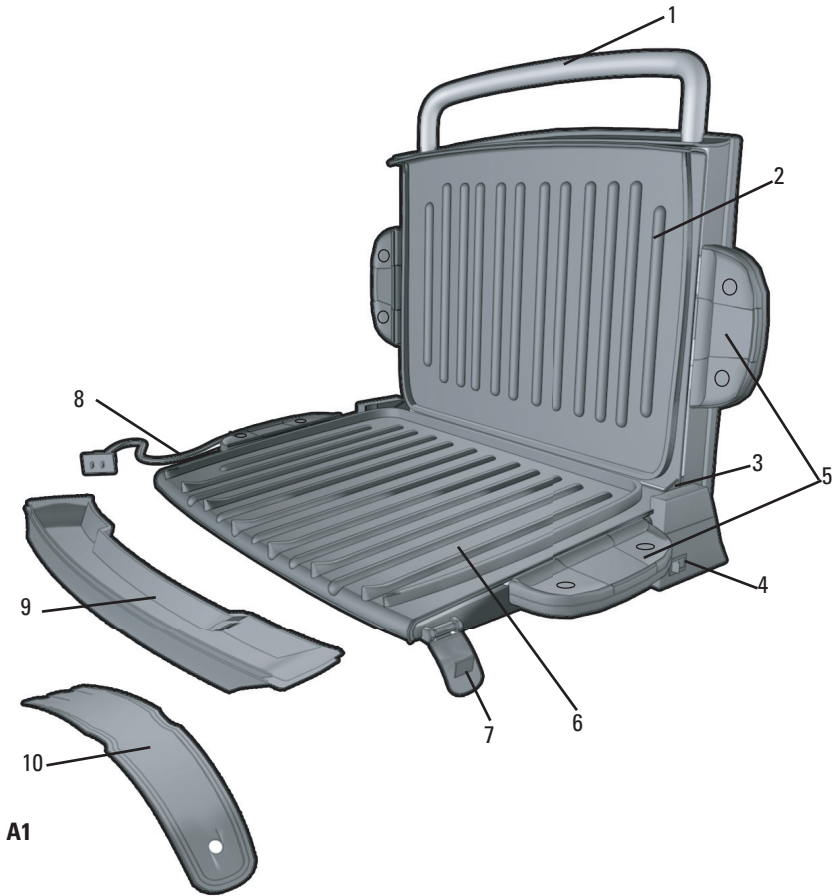
Advertencia: Este aparato cuenta con un tornillo de seguridad para evitar la remoción de la cubierta exterior del mismo. A fin de reducir el riesgo de incendio o de choque eléctrico, por favor no trate de remover la cubierta exterior. Este producto no contiene piezas reparables por el consumidor. Toda reparación se debe llevar a cabo únicamente por personal de servicio autorizado.

CABLE ELÉCTRICO

- El producto se debe proporcionar con un cable eléctrico corto (o uno separable), a fin de reducir el riesgo de tropezar o de enredarse en un cable más largo.
- Existen cables eléctricos más largos y separables o cables de extensión que uno puede utilizar si toma el cuidado debido.
- Si se utiliza un cable separable o de extensión
 - El régimen nominal del cable separable o del cable de extensión debe ser, como mínimo, igual al del régimen nominal del aparato.
 - Si el aparato es de conexión a tierra, el cable de extensión debe ser un cable de tres alambres de conexión a tierra.
 - Uno debe acomodar el cable más largo de manera que no cuelgue del mostrador o de la mesa, para evitar que un niño tire del mismo o que alguien se tropiece.

Nota: Si el cordón de alimentación es dañado, en América Latina debe sustituirse por personal calificado o por el centro de servicio autorizado.

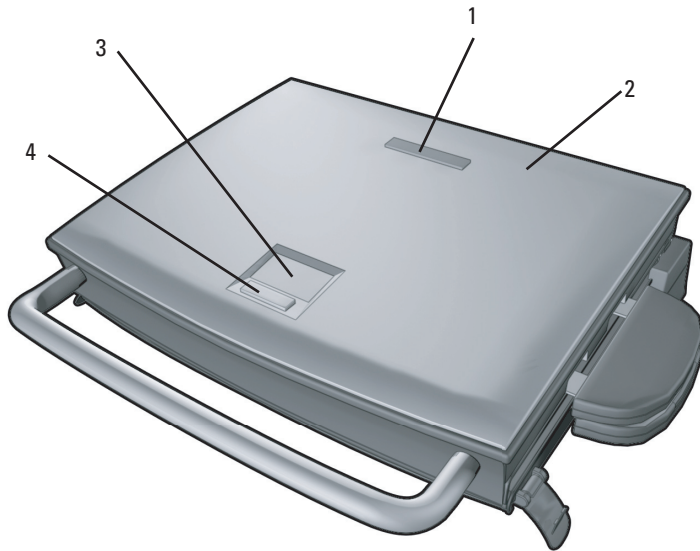
El producto puede variar ligeramente del que aparece ilustrado aquí.



A1

- Tirador de transporte extendido de metal en forma de bucle
- † 2. Placa de la parrilla removible (superior) (Pieza N° GRP72-01)
3. Bisagra flotante y de traba
4. Interruptor de encendido/apagado (I/O)
5. Tiradores de liberación de la placa de la parrilla (ambos lados)
- † 6. Placa de la parrilla removible (inferior) (Pieza N° GRP72-02)
7. Ganchos de bloqueo laterales de seguridad (ambos lados)
8. Cable de alimentación
- † 9. Bandeja de goteo (Pieza N° GRP72-03)
- † 10. Espátula (Pieza N° GRP72-04)

Nota: † indica piezas desmontables/reemplazables por el consumidor



Como usar

Este producto es para uso doméstico únicamente.

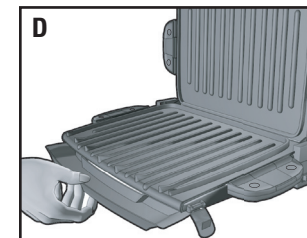
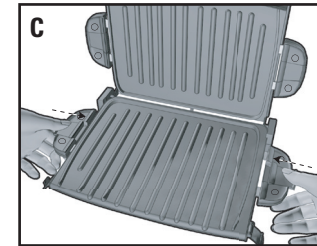
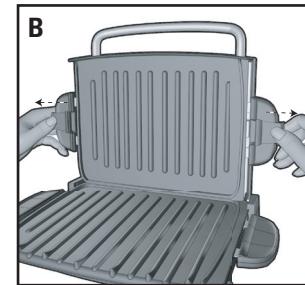
PRIMEROS PASOS

- Elimine todo el material de embalaje y las etiquetas.
- Retire y conserve el material de lectura.
- Vaya a www.prodprotect.com/applica para registrar su garantía.
- Lave todas las piezas removibles y/o los accesorios siguiendo las instrucciones de la sección CUIDADO Y LIMPIEZA de este manual.
- Seleccione el lugar donde se utilizará este aparato dejando el espacio suficiente entre la parte de atrás del aparato y la pared para permitir que el calor fluya sin dañar armarios y paredes.

COMO INSTALAR LAS PLACAS DE LA PARRILLA

Importante: Este electrodoméstico siempre debe ser usado con las 2 placas de la parrilla bien colocadas.

1. Inserte en forma segura las placas superior e inferior del electrodoméstico usando los tiradores de liberación de las placas de la parrilla que se encuentran a cada lado de las placas (**B y C**).

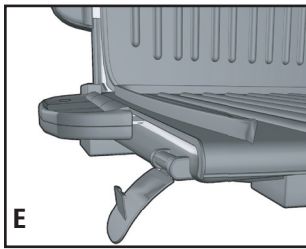


2. Coloque la bandeja de goteo debajo de la sección curvada delantera de la parrilla (**D**).

Importante: Al insertar las placas de la plancha, asegúrese de que estén firmemente conectadas usando los tiradores de liberación que se encuentran a cada lado de las placas.

A2

1. Tapa de la plancha con alojamiento superior de seguridad
2. Luz indicadora de encendido
3. Visor digital del temporizador descendente
4. Botón de control de tiempo

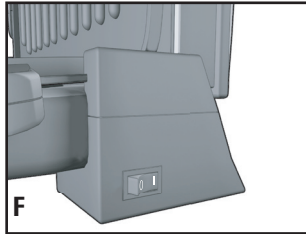


PRECALENTAR LA PARRILLA

1. Cierra la tapa de la parrilla.

Importante: Asegúrese de que los ganchos laterales de traba estén completamente abiertos y hacia afuera de las placas de la parrilla (E).

2. Desenrolle el cable y enchúfelo a un tomacorriente estándar.



3. Presione el interruptor de encendido/apagado (I/O) en el lado derecho inferior de la parrilla para colocarlo en la posición de encendido (I) y comenzar el precalentamiento (F).

4. La pantalla digital ubicada en la parte superior de la parrilla mostrará "on" (encendido).

5. Deje precalentar la parrilla durante, al menos, 5 minutos antes de asar a la parrilla. Si lo desea, use el control de tiempo descendente. (El control de tiempo funciona en forma independiente de los elementos de calentamiento.)

ASAR A LA PARRILLA EN LA POSICIÓN DE BISAGRA FLOTANTE

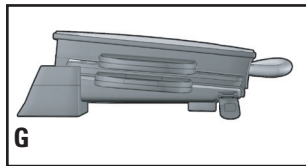
La posición de bisagra flotante permite asar a la parrilla alimentos extra gruesos. En esta posición, la placa superior de la parrilla se apoya sobre los alimentos.

1. Con un agarrador, abra cuidadosamente la parrilla precalentada.

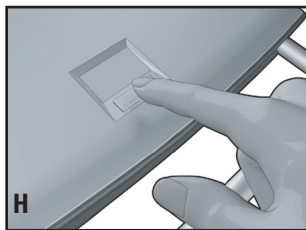
2. Antes del primer uso, aceite ligeramente las placas de la parrilla, si lo desea.

3. Coloque cuidadosamente los alimentos que desea cocinar en la placa inferior de la parrilla precalentada. Este modelo de plancha generalmente sirve para 2 a 4 porciones

Nota: No sobrecargue la placa de cocción.



4. Cierre la tapa de la parrilla en la posición de bisagra flotante (G); la tapa cierra directamente sobre el alimento.



5. Presione el botón de control de tiempo (H) para seleccionar la cantidad de tiempo deseada que se cocinará el alimento. El control de tiempo tiene un máximo de 20 minutos.

Nota: Use los tiempos de cocción sugeridos que se encuentran en el CUADRO PARA ASAR A LA PLANCHA, en la página 24-26.

6. Pulse el botón de control de tiempo del lado derecho del botón, para cambiar el tiempo en incrementos de 1 minuto. Presione el botón del lado izquierdo para cambiar el tiempo rápidamente.

7. El control de tiempo solo modifica el tiempo en incrementos ascendentes. Si ha pasado el tiempo deseado, simplemente presione el botón del lado izquierdo y deje que el tiempo realice el ciclo completo.

8. Deje que el alimento se cocine durante el tiempo seleccionado.

Importante: No deje el electrodoméstico sin supervisión durante su uso.

9. Se puede ejercer una presión ligera en el tirador para presionar y calentar el alimento a su agrado. Esta característica es especialmente útil al preparar sándwiches asados o panini y al asar a la parrilla trozos gruesos de carne y aves.

Importante: No ejerza presión excesiva al usar el tirador para presionar; aplique únicamente una presión ligera para evitar ejercer demasiada tensión sobre la bisagra flotante y de traba.

10. Durante la cocción, la pantalla digital realiza el conteo descendente del tiempo que seleccionó. Cuando haya pasado el tiempo seleccionado, la parrilla emitirá una señal audible.

11. Después del tiempo seleccionado, el alimento debería estar cocinado. Si prefiere una cocción más prolongada, simplemente siga los pasos de esta sección a partir del paso 4.

12. Con un agarrador, abra cuidadosamente la tapa de la parrilla.

13. Retire el alimento cocinado con la espátula de plástico suministrada

Nota: Siempre use utensilios de plástico, nailon o madera antitérmicos para evitar rayar la superficie antiadherente de las placas de la parrilla. Nunca use espetones, pinzas, tenedores ni cuchillos de metal.

14. Presione el interruptor de encendido/apagado (I/O) para apagar la parrilla.

Importante: Los elementos de calentamiento seguirán estando encendidos hasta presionar el interruptor de encendido/apagado (I/O) o hasta desenchufar el electrodoméstico.

15. Deje que la bandeja de goteo se enfríe antes de retirarla de debajo de la parrilla. Lave y seque la bandeja de goteo después de cada uso.

Precaución: No retire las placas de la parrilla mientras el electrodoméstico está caliente. Siempre deje que se enfríen a temperatura ambiente antes de retirarlas o limpiarlas.

CUADRO PARA ASAR A LA PARRILLA SUGERIDO PARA CARNES, AVES, PESCADOS Y SÁNDWICHES

Los siguientes valores se deben usar como guía únicamente. Los tiempos sugeridos corresponden a la capacidad completa de la parrilla. El tiempo de cocción depende del grosor y del corte utilizados. Use un termómetro de cocción para comprobar si el alimento está listo. Si el alimento necesita una cocción más prolongada, verifique periódicamente para evitar cocinarlo en exceso.

ALIMENTO	TIEMPO DE COCCIÓN	COMENTARIOS
CARNE		
Hamburguesa) 141,75 g (5 oz)	4 – 6 minutos	1,91 cm (¾ pulgada) de grosor Cocción a término medio 71 °C (160 °F)
Hamburguesas congeladas 141,75 g (5 oz)	5 – 6 minutos	1,91 cm (¾ pulgada) de grosor Cocción a término medio 71 °C (160 °F)
Bistec de vacío 340,19 g (¾ lb)	6 – 8 minutos	1,91 cm (¾ pulgada) de grosor Cocción a punto 63 °C (145 °F)
Bistec de falda 226,8 g (½ lb)	4 – 6 minutos	1,91 cm (¾ pulgada) de grosor Cocción a término medio 71 °C (160 °F)
Bistec tipo NY (del lomo corto) 170,1 g (6 oz)	6 – 8 minutos	1,91 cm (¾ pulgada) de grosor Cocción a punto 63 °C (145 °F)
Filete de carne de res 141,75 g (5 oz)	4 – 6 minutos	1,91 cm (¾ pulgada) de grosor Cocción a punto 63 °C (145 °F)
Pinchos de carne de res	5 – 7 minutos	Cocción a término medio 71 °C (160 °F)
Chuletas de lomo de puerco, deshuesadas	4 – 6 minutos	1,91 cm (¾ pulgada) de grosor Cocción a 71 °C (160 °F)
Chuletas de lomo de puerco, con hueso	4 – 6 minutos	1,27 cm (½ pulgada) de grosor Cocción a 71 °C (160 °F)
Embutido, salchichita o pati	4 – 6 minutos	Cocción a 71 °C (160 °F)
Hot dogs	4 – 5 minutos	Cocción a 75,5 °C (168 °F)
Tocino	6 – 8 minutos	Cocine hasta estar crujiente
Chuletas de lomo de puerco ahumadas, deshuesadas	4 – 6 minutos	Cocción a 71 °C (160 °F)
Chuletas de cordero, lomo	5 – 7 minutos	1,91 cm (¾ pulgada) de grosor Cocción a término medio 71 °C (160 °F)
AVES		
Pechuga de pollo, deshuesada y sin piel 226,8 g (8 oz)	11 – 13 minutos	Cocción a 77 °C (170 °F)
Lomitos de pollo (4 a 6 trozos)	4 – 6 minutos	Cocción a 77 °C (170 °F)
Lomo de pavo 340,19 g (¾ lb)	9 – 11 minutos	Cocción a 77 °C (170 °F)
Hamburguesas de pavo 141,75 g (5 oz)	4 – 6 minutos	Cocción a 77 °C (170 °F)

ALIMENTO	TIEMPO DE COCCIÓN	COMENTARIOS
PESCADO		
Filetes de tilapia 170,1 g (6 oz) c/u	5 – 7 minutos	Cocción a 63 °C (145 °F)
Filete de trucha 170,1 g (6 oz)	4 – 6 minutos	Cocción a 63 °C (145 °F)
Filete de salmón 226,8 g (8 oz) por pieza	5 – 7 minutos	Cocción a 63 °C (145 °F)
Bistec de salmón 226,8 g (8 oz)	7 – 9 minutos	Cocción a 63 °C (145 °F)
Bistec de atún 170,1 g (6 oz)	4 – 6 minutos	Cocción a 63 °C (145 °F)
Langostinos	3 – 4 minutos	Cocción a 63 °C (145 °F)
SÁNDWICHES		
Queso asado a la parrilla	2 – 3 minutos	Cocine hasta que el queso se derrita y el sándwich se dore
Queso asado a la parrilla con tomate, atún, jamón o tocino	3 – 4 minutos	Cocine hasta que el queso se derrita y el sándwich se dore
Quesadillas	2 – 3 minutos	Cocine hasta que el queso se derrita y la tortilla adquiera un color ligeramente dorado

Tenga en cuenta: Para asegurarse de que su alimento esté completamente cocinado, el Departamento de Agricultura de los Estados Unidos (United States Department of Agriculture, USDA) recomienda las siguientes pautas. Use un termómetro para carnes para comprobar si el alimento está listo insertando el termómetro para carnes en el centro del alimento que está cocinando y asegúrese de que el termómetro no toque el hueso o las placas de la parrilla.

ALIMENTO PARA COCINAR	TÉRMINO MEDIO	BIEN COCIDO O TOTALMENTE COCIDO	
		170 °F	77 °C
Pechuga de pollo		170 °F	77 °C
Muslo de pollo		180 °F	82 °C
Carne de res / Cordero/ Ternera	160 °F 71 °C	170 °F	77 °C
Puerco		160 °F	71 °C
Carne de res y ave cocidas recalentadas		165 °F	74 °C

ASAR A LA PARRILLA FRUTAS Y VERDURAS

Los siguientes valores se deben usar como guía únicamente. Los tiempos sugeridos corresponden a la capacidad completa de la parrilla. El tiempo de cocción depende del grosor del alimento. Introduzca un tenedor en el centro del alimento para comprobar si está listo. (Tenga cuidado de no tocar la placa de la parrilla). Si el alimento necesita una cocción más prolongada, verifique periódicamente para evitar cocinarlo en exceso.

ALIMENTO	TIEMPO PARA ASAR A LA PARRILLA
Racimos de espárragos	4 – 6 minutos
Pimientos, diversos colores cortados en aros de 1,27 cm (½ pulgada)	5 – 7 minutos
Hongos, en rebanadas gruesas	4 – 5 minutos
Rebanadas de cebolla, 1,27 cm (½ pulgada)	5 – 7 minutos
Rebanadas de papa, 1,27 cm (½ pulgada)	15 – 18 minutos
Hongos portobello, 7,62 cm (3 pulgadas) de diámetro	4 – 6 minutos
Rebanadas de zucchini, 1,27 cm (½ pulgada)	3 – 4 minutos
Rodajas de piña fresca, 1,27 cm (½ pulgada)	2 – 4 minutos

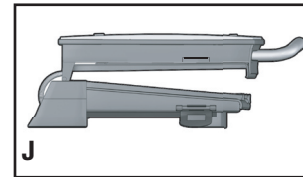
CONSEJOS PARA ASAR A LA PARRILLA

- Para impedir la pérdida de calor y generar una cocción pareja, no abra la tapa de la parrilla frecuentemente durante la cocción.
- No llene la parrilla en exceso; entran 2 a 4 porciones cómodamente.
- Al cocinar por primera vez un alimento específico, compruebe si está listo varios minutos antes del tiempo sugerido; si es necesario, ajuste el tiempo con el botón de control.
- Si cocina más de un trozo de alimento, intente que tengan un tamaño y grosor similares.
- Recuerde que, dado que la parrilla cocina de ambos lados, el tiempo de cocción será típicamente más corto que lo esperado. Preste atención para evitar cocinar en exceso.
- Para obtener un sabor más intenso, agregue los condimentos secos antes de asar a la parrilla o marine los alimentos antes de cocinarlos.

USO DE LA POSICIÓN DE BISAGRA DE TRABA

Esta característica mantiene la placa superior de la parrilla por encima del alimento que se encuentra en la placa inferior de la parrilla.

1. Esta rejilla tiene una bisagra exclusiva que permite que la tapa de la plancha se ajuste según el grosor del alimento que se está asando. Esto permite que el queso se derrita en forma pareja sobre las hamburguesas cocidas calientes.
2. Si la parrilla no está caliente, precaliéntela siguiendo las indicaciones en PRECALENTAR LA PARRILLA.
3. Levante el tirador de la tapa de la parrilla hacia arriba y adelante a la posición de traba de la bisagra flotante y de traba.



4. Baje la tapa de la parrilla hasta la posición de bisagra traba sobre el alimento (J).
5. Deje cocinar el alimento durante el tiempo deseado.
6. Para obtener un color dorado y una cocción pareja, al asar a la parrilla más de un sándwich o trozo de carne, es importante que los grosores sean similares.

Cuidado y limpieza

Este aparato no contiene piezas reparables por el consumidor. Para servicio, por favor acuda a personal calificado.

LIMPIEZA

Precaución: Para evitar quemaduras accidentales, espere hasta que la parrilla se enfríe completamente antes de limpiarla.

1. Antes de limpiar, desenchufe la parrilla del tomacorriente de la pared y deje que se enfríe.

Importante: Las resistencias seguirán estando encendidas hasta presionar el interruptor de encendido/apagado (I/O) o hasta desenchufar el electrodoméstico.

2. Coloque una bandeja de goteo debajo del frente de la parrilla (**vea la ilustración D**). Use la espátula de plástico para raspar el exceso de grasa y las partículas de alimentos que queden en las placas de la parrilla; el escurrimiento caerá en la bandeja de goteo. Seque las placas con una toalla de papel o esponja para evitar que la grasa gotee sobre la superficie de trabajo al retirar las placas.
3. Retire las placas según se indica en la sección COMO USAR (**vea las ilustraciones B y C**). Para limpiar las placas de la parrilla, lávelas con agua templada en jabón; séquela bien con una toalla de papel.
4. Vacíe la bandeja de goteo y lávela con agua templada en jabón; séquela bien con una toalla de papel.
5. Vuelva a instalar las placas de la parrilla (**vea las ilustraciones B y C**), y asegúrese de que estén firmemente sujetas a la estructura de la parrilla.

Nota: Las placas removibles de la parrilla se pueden lavar en una máquina lavaplatos. Si lava las parrilla de la plancha en una máquina lavaplatos, limpie el lado no recubierto con

una toalla de papel para evitar que se decolore. El detergente de la máquina lavaplatos puede provocar oxidación del lado no recubierto de la placa de la parrilla. Esto no es nocivo y puede retirarse con una toalla húmeda.

6. Para eliminar las acumulaciones difíciles, use una esponjilla de nailon o no metálica para limpiar las placas de la parrilla.

Importante: No use esponjillas metálicas, lana de acero ni limpiadores abrasivos para limpiar ninguna parte de su parrilla; use únicamente esponjillas de nailon o no metálicas.

7. Para limpiar la tapa de la parrilla, limpie con una esponja húmeda templada y seque con un trapo seco suave.

Importante: No sumerja la estructura de la parrilla en agua ni en ningún otro líquido.

8. Cualquier servicio técnico que requiera desarmar la parrilla, además de la limpieza mencionada, debe ser realizado por un electricista calificado.

Precaución: Asegúrese de sujetar la tapa de la parrilla por el tirador al limpiarla para evitar que se cierre accidentalmente y provoque lesiones.

ALMACENAMIENTO

- Siempre asegúrese de que la parrilla esté limpia y seca antes de almacenarla.
- Asegúrese de que los ganchos laterales de traba estén completamente cerrados y trabados antes de almacenar la parrilla. Esto le permite almacenar la plancha en posición vertical.

RESOLUCIÓN DE PROBLEMAS O FALLAS

PROBLEMA	CAUSA POSIBLE	SOLUCIÓN
Las terminaciones de las parrilla de la plancha tienen marcas de cortes.	Se han utilizado utensilios de metal.	Siempre use utensilios de plástico, nailon o madera antitérmicos para evitar rayar la superficie antiadherente de las placas de la parrilla. Nunca use espátulas, pinzas, tenedores ni cuchillos de metal.
Las marcas del asado a la parrilla en los alimentos son muy leves.	No se precalentó la plancha completamente antes de usarla.	Siempre precaliente la parrilla, por lo menos, 5 minutos antes de cocinar cualquier alimento.
Hay acumulación de comida en las placas de la parrilla.	No se limpió la parrilla correctamente después de usarla.	Use esponjillas de nailon y agua caliente en jabón para limpiar las placas de la parrilla. No use esponjillas de lana de acero ni limpiadores abrasivos para limpiar la plancha.
El alimento está seco y quemado.	El alimento se ha cocinado en exceso.	Dado que la plancha cocina de ambos lados, los alimentos se cocinan mucho más rápidamente que en una sartén o en un asador. Use el cuadro de cocción como guía y controle el alimento cuando haya pasado el tiempo más bajo establecido en el cuadro.
La parrilla no enciende.	La parrilla no está enchufada.	Compruebe que el electrodoméstico esté enchufado en un tomacorriente que funcione y que el interruptor de encendido/apagado (I/O) esté en la posición de encendido (I).
La parrilla tiene manchas blancas.	El agua se ha secado sobre la superficie de las placas de la parrilla.	Seque la placa inmediatamente después de lavarla.

RECETAS

FILTES ASADOS CON SABOR ASIÁTICO

- ¼ taza de cebolla picada
- 1 cda. de jengibre picado fino
- ¼ taza de salsa de soya baja en sodio
- ¼ taza de vinagre de vino de arroz
- 1 cda. aceite de ajonjolí
- 2 filetes de lomo, alrededor de 6 a 8 oz., cada uno
- ¼ cda. sal kosher
- ⅛ cda. pimienta de ajo
- ¼ taza cebollino tajado
- 2 cda. pimienta roja picado

Precalente la parrilla en el nivel más alto durante por lo menos 8 minutos.

Combine los primeros 5 ingredientes en un tazón pequeño; revuelva para mezclarlos. Cúbralos y colóquelos a un lado.

Sazone los filetes con la sal kosher y la pimienta de ajo. Colóquelos sobre la parrilla precalentada.

Cierre la parrilla y cocine los filetes al término que desee.

Retire los filetes al plato de servir. Esparza el cebollino y el pimienta roja por encima. Rocíe con la salsa de jengibre que había preparado.

Prepara 2 porciones.

CHULETAS DE CORDERO ASADAS CON SALSA DE PIÑA Y MANGO

- ½ taza de mango fresco cortado en cubitos
- ½ taza de piña fresca cortada en cubitos
- ¼ taza de chalote picado
- ¼ taza de pimienta roja cortado en cuadritos
- 2 cda. perejil italiano picado
- 1 cda. de azúcar
- ½ cda. pimienta de ajo
- ¼ cda. comino molido
- ¼ taza de jugo de lima fresco
- 4 chuletas de cordero, cortadas alrededor de 1¼-pulgada de ancho (alrededor de 1 lb.)
- Aceite de oliva
- ¼ cda. sal kosher
- ⅛ cda. pimienta de ajo

Precalente la parrilla en el nivel más alto durante por lo menos 8 minutos.

Combine los primeros 9 ingredientes en un tazón pequeño; revuelva para mezclarlos. Cúbralos y colóquelos a un lado.

Unte las chuletas con aceite de oliva y sazónelas con la sal kosher y la pimienta de ajo. Coloque las chuletas sobre la parrilla precalentada.

Cierre la parrilla y cocine las chuletas por 12 minutos o hasta lograr el termino que desee.

Retire las chuletas al plato de servir. Sirva con la salsa que había preparado.

Prepara 4 porciones.

CHURRASCO

- 1 cda. mezcla de sazón Adobo
- 1 cda. cebolla seca finamente picada
- ½ cda. escamas de pimienta seca
- ½ cda. pimienta con ajo
- ¾ lb. bistec de falda de res

En un tazón pequeño, combine los condimentos. Rocíe uniformemente en ambos lados del bistec. Refrigérela mientras se precalienta la parrilla.

Cocine de 3 a 5 minutos, hasta el punto de cocción deseado.

Corte en tiras para servir.

Rinde 2 porciones.

CROQUE MONSIEUR A LA GEORGE FOREMAN®

¼ taza sustituto de huevo " Egg Beaters "

¼ taza leche

¼ cdta. sal

4 rebanadas de pan blanco

1cdta. mostaza con miel

4 oz. tajadas de jamón

4 oz. queso suizo en lascas

4 oz. tajadas de pavo

Combine el sustituto de huevo, la leche y la sal dentro de un molde de vidrio poco hondo para hornear; mezcle bien.

Coloque dos rebanadas de pan sobre la tabla de cortar, y unte la mostaza con miel. Cubra cada rebanada con jamón, queso y pavo. Cubra con el pan restante.

Sumerja los sándwiches en la mezcla de huevo y voltéelos para cubrir ambos lados.

Coloque sobre la parrilla precalentada y cierre la tapa. Cocine durante 3 minutos o hasta que doren y el queso se haya derretido.

Rinde 2 sándwiches.

SÁNDWICH ASADO DE JAMÓN CON PIÑA

¼ taza conserva de piña

¼ taza melocotones enlatados, picados

1 cda. jengibre caramelizado, picado finamente

4 rebanadas pan de masa agria

4 oz. jamón, en tajadas finas

4 oz. queso brie, tajado

2 cdas. mantequilla derretida

En un tazón pequeño, combine la conserva, el melocotón y jengibre; ponga aparte. Unte la mantequilla derretida en un lado de cada rebanada de pan.

Coloque 2 rebanadas de pan con el lado untado de mantequilla hacia abajo sobre la tabla de cortar, y úntelas con la mezcla de piña. Cubra cada rebanada con el jamón y el queso. Cubra con las rebanadas de pan restantes, con el lado untado de mantequilla hacia arriba.

Coloque sobre la parrilla precalentada y cierre la tapa. Cocine durante 3 minutos o hasta que doren y el queso se haya ablandado.

Rinde 2 sándwiches.

SÁNDWICH "REUBEN" A LA PARRILLA

¼ taza repollo ácido "sauerkraut"

4 cdta. mantequilla derretida

4 rebanadas de pan de centeno

4 cdas. aderezo para ensalada Thousand Island; sin grasa

4 oz. carne de res envasada, tipo corned beef

4 oz. queso suizo, bajo en grasa

Enjuague el repollo ácido con agua y séquelo bien. Unte un lado de las rebanadas de pan con la mantequilla derretida.

Coloque 2 rebanadas de pan con el lado untado de mantequilla hacia abajo sobre la tabla de cortar, y úntelas con el aderezo de ensalada. Cubra cada rebanada con la carne de res, el repollo y el queso. Cubra con las rebanadas de pan restantes, con el lado untado de mantequilla hacia arriba.

Coloque sobre la parrilla precalentada y cierre la tapa. Cocine durante 3 minutos o hasta que doren y el queso se haya ablandado.

Rinde 2 sándwiches.

ENROLLADO DE PAVO CON SALSAS

¼ taza salsa envasada

1 cda. cebolla morada, picada finamente

1 cda. cilantro picado

2 tortillas de harina con sabor a tomate

4 oz. pavo en tajadas

4 oz. queso tipo Monterey Jack con chile jalapeño

En un tazón pequeño, combine la salsa, la cebolla y el cilantro; ponga aparte.

Coloque las envolturas sobre la tabla de cortar y unte la mezcla de salsa en el centro. Cubra cada una con el pavo y el queso. Enróllelas y colóquelas con la orilla hacia abajo sobre la parrilla precalentada y cierre la tapa. Cocine durante 3 minutos o hasta que el sándwich esté dorado y el queso se haya derretido.

Rinde 2 sándwiches.

NEED HELP?

For service, repair or any questions regarding your appliance, call the appropriate 800 number on cover of this book. Please **DO NOT** return the product to the place of purchase. Also, please **DO NOT** mail product back to manufacturer, nor bring it to a service center.

You may also want to consult the website listed on the cover of this manual.

Two-Year Limited Warranty (Applies only in the United States and Canada)

What does it cover?

- Any defect in material or workmanship provided; however, Applica's liability will not exceed the purchase price of product.

For how long?

- Two years after the date of original purchase.

What will we do to help you?

- Provide you with a reasonably similar replacement product that is either new or factory refurbished.

How do you get service?

- Save your receipt as proof of date of sale.
- Check our on-line service site at www.prodprotect.com/applica, or call our toll-free number, 1-800-231-9786, for general warranty service.
- If you need parts or accessories, please call 1-800-738-0245.

What does your warranty not cover?

- Damage from commercial use
- Damage from misuse, abuse or neglect
- Products that have been modified in any way
- Products used or serviced outside the country of purchase
- Glass parts and other accessory items that are packed with the unit
- Shipping and handling costs associated with the replacement of the unit
- Consequential or incidental damages (Please note, however, that some states do not allow the exclusion or limitation of consequential or incidental damages, so this limitation may not apply to you.)

How does state law relate to this warranty?

- This warranty gives you specific legal rights, and you may also have other rights that vary from state to state or province to province.

¿NECESITA AYUDA?

Para servicio, reparaciones o preguntas relacionadas al producto, por favor llame gratis al número "800" que aparece en la cubierta de este manual. No devuelva el producto al establecimiento de compra. No envíe el producto por correo al fabricante ni lo lleve a un centro de servicio. También puede consultar el sitio web que aparece en la cubierta de este manual.

Dos años de garantía limitada (Aplica solamente en Estados Unidos o Canadá)

¿Qué cubre la garantía?

- La garantía cubre cualquier defecto de materiales o de mano de obra. Applica no se responsabiliza por ningún costo que exceda el valor de compra del producto.

¿Por cuánto tiempo es válida la garantía?

- Por dos años a partir de la fecha original de compra.

¿Qué clase de asistencia recibe el consumidor?

- El consumidor recibe un producto de reemplazo nuevo o restaurado de fábrica, parecido al original.

¿Cómo se obtiene el servicio necesario?

- Conserve el recibo original como comprobante de la fecha de compra.
- Se puede visitar el sitio web de asistencia al consumidor www.prodprotect.com/applica, o se puede llamar gratis al número 1-800-231-9786, para obtener información relacionada al servicio de garantía.
- Si necesita piezas o accesorios, por favor llame gratis al 1-800-738-0245.

¿Qué aspectos no cubre esta garantía?

- Los daños al producto ocasionados por el uso comercial
- Los daños ocasionados por el mal uso, abuso o negligencia
- Los productos que han sido alterados de cualquier manera
- Los productos utilizados o reparados fuera del país original de compra
- Las piezas de vidrio y demás accesorios empacados con el aparato
- Los gastos de tramitación y embarque relacionados con el reemplazo del producto
- Los daños y perjuicios indirectos o incidentales (sin embargo, por favor observe que algunos estados no permiten la exclusión ni la limitación de los daños y perjuicios indirectos ni incidentales, de manera que esta restricción podría no aplicar a usted).

¿Qué relación tiene la ley estatal con esta garantía?

- Esta garantía le otorga derechos legales específicos y el consumidor podría tener otros derechos que varían de una región a otra.



Copyright © 2008 - 2009 Applica Consumer Products, Inc.

Made in People's Republic of China
Printed in People's Republic of China

R12008/3-26-110E/S

Fabricado en la República Popular de China
Impreso en la República Popular de China

Free Manuals Download Website

<http://myh66.com>

<http://usermanuals.us>

<http://www.somanuals.com>

<http://www.4manuals.cc>

<http://www.manual-lib.com>

<http://www.404manual.com>

<http://www.luxmanual.com>

<http://aubethermostatmanual.com>

Golf course search by state

<http://golfingnear.com>

Email search by domain

<http://emailbydomain.com>

Auto manuals search

<http://auto.somanuals.com>

TV manuals search

<http://tv.somanuals.com>