

# GEORGE FOREMAN®

Please Read and Save this Use and Care Book

Veuillez lire et conserver ce guide d'entretien et d'utilisation



For **online customer service**  
and to **register** your product, go to  
**[www.prodprotect.com/applica](http://www.prodprotect.com/applica)**  
Also view the details for our  
latest **sweepstakes!**



## Customer Care Line:

USA/Canada  
1-800-231-9786

**Accessories/Parts** (USA / Canada)

**Accessoires/Pièces** (É.-U./Canada)

1-800-738-0245

**Model**  
**Modèle**

**GRD10GFBC**

# IMPORTANT SAFEGUARDS

When using electrical appliances, basic safety precautions should always be followed, including the following:

- Read all instructions.
- Do not touch hot surfaces. Use handles or knobs.
- To protect against electric shock do not immerse cord, plugs or temperature control probe in water or other liquid.
- Close supervision is necessary when any appliance is used by or near children.
- Unplug from outlet when not in use and before cleaning. Allow to cool before putting on or taking off parts, and before cleaning the appliance.
- Do not operate any appliance with a damaged cord or plug, or after the appliance malfunctions or has been damaged in any manner. Return appliance to the nearest authorized service facility for examination, repair or adjustment. Or, call the appropriate toll-free number on the cover of this manual.
- The use of accessory attachments not recommended by the appliance manufacturer may cause injuries.
- Do not use outdoors.
- Do not let cord hang over edge of table or counter, or touch hot surfaces.
- Do not place on or near a hot gas or electric burner, or in a heated oven.
- Extreme caution must be used when moving an appliance containing hot oil or other hot liquids.
- Always attach temperature control probe to appliance first, then plug cord into the wall outlet. To disconnect, turn any control to OFF, then remove plug from wall outlet.
- Do not use appliance for other than intended use

# SAVE THESE INSTRUCTIONS.

**This product is for household use only.**

# ADDITIONAL IMPORTANT SAFEGUARDS

**Caution! Hot Surfaces: This appliance generates heat and escaping steam during use. Proper precautions must be taken to prevent the risk of burns, fires or other injury to persons or damage to property.**

**Caution: This appliance is hot during operation and retains heat for some time after turning off. Always use oven mitts when handling hot materials and allow metal parts to cool before cleaning. Do not place anything on top of the appliance while it is operating or while it is hot.**

1. All users of this appliance must read and understand this Use & Care Manual before operating or cleaning the appliance.
2. The cord to this appliance should be plugged into a 120V AC electrical outlet only.
3. If this appliance begins to malfunction during use, immediately unplug cord from outlet. Do not use or attempt to repair the malfunctioning appliance.
4. Do not leave this appliance unattended during use.
5. When using this appliance, provide adequate air space above and on all sides for air circulation. Do not allow this appliance to touch curtains, wall coverings, clothing, dish towels or other flammable materials during use.

**Caution: The temperature control probe is designed to yield precise results. Use care not to drop, hit, or impact it against hard surfaces. Never pull on the cord of the temperature control probe. Always grip the body of the temperature control probe when handling.**

## GROUNDING PLUG

As a safety feature, this product is equipped with a grounded plug, which will only fit into a three-prong outlet. Do not attempt to defeat this safety feature. Improper connection of the grounding conductor may result in the risk of electric shock. Consult a qualified electrician if you are in doubt as to whether the outlet is properly grounded.

## ELECTRICAL CORD

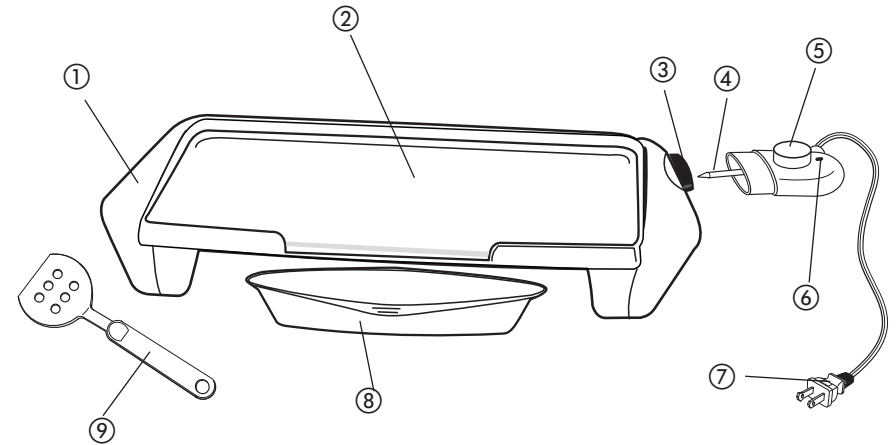
- a) A short power-supply cord is to be provided to reduce the risk resulting from becoming entangled in or tripping over a longer cord.
- b) Longer extension cords are available and may be used if care is exercised in their use.
- c) If an extension cord is used,
  - 1) The marked electrical rating of the cord set or extension cord should be at least as great as the electrical rating of the appliance, and
  - 2) The cord should be arranged so that it will not drape over the countertop or tabletop where it can be pulled on by children or tripped over unintentionally.
  - 3) If the appliance is of the grounded type, the extension cord should be a grounding-type 3-wire cord.

## TAMPER-RESISTANT SCREW

**Warning:** This appliance is equipped with a tamper-resistant screw to prevent removal of the outer cover. To reduce the risk of fire or electric shock, do not attempt to remove the outer cover. There are no user-serviceable parts inside. Repair should be done only by authorized service personnel.

**Note:** If the power supply cord is damaged, it should be replaced by qualified personnel or in Latin America by an authorized service center.

Product may vary slightly from what is illustrated.



1. Cool Touch Handle (both sides)
  2. Griddle Plate
  3. Probe Receptacle
  - † 4. Temperature Control Probe (Part # 22795)
  5. Temperature Control Knob
  6. Power-On Light
  7. Power Cord
  - † 8. Drip Tray (Part # 22974)
  - † 9. Plastic Spatula (Part # 20493)
- Note:** † indicates consumer replaceable/removable parts

## How to Use:

This product is for household use only.

### GETTING STARTED

- Remove all packing material and any stickers.
- Remove and save literature.
- Wash all removable parts as instructed in CARE AND CLEANING section of this manual.
- Wipe cooking surface with a damp cloth or sponge to remove any dust. Wipe dry with a soft cloth or paper towel.
- Select location where unit is to be used, leaving enough space between back of unit and wall to allow heat to flow without damage to cabinets and walls.

### USING YOUR GRIDDLE

1. Before using this appliance for the first time, clean griddle as outlined in CARE AND CLEANING.
2. Slide drip tray beneath the front of the unit with handle facing out.
3. **To preheat:** Turn the temperature control knob to Off. Insert the temperature control probe fully into the probe receptacle. Plug the cord into a 120V AC outlet. The variable temperature control allows you to cook at a specific heat setting, 200°F – 400°F (95°C - 200°C). Align selected temperature with the preheat indicator light. As the griddle is heating, the preheat indicator light turns on and it will remain ON until the set temperature has been reached.

**Note:** Preheat indicator light will cycle on and off, as needed, to maintain the set temperature.

4. Allow griddle to preheat except where noted on the Cooking Chart. The preheat time will vary, depending on the heat setting you have selected. The higher the heat setting, the longer the preheat time.
5. Carefully place items to be cooked on the griddle.
6. Allow food to cook, turning halfway through cooking time, if needed.

#### **Important: Do not leave appliance unattended during use!**

7. When finished cooking, turn the temperature control knob to Off. Disconnect plug from wall outlet.
8. Remove food using the plastic spatula. Be sure to always use either silicone, plastic or wooden utensils so as not to scratch the nonstick surface. Never use metal tongs, forks or knives as these can damage the coating on the griddle plate.
9. Let appliance cool completely. When cool, the drip tray may be removed and emptied.

**Important: Be sure liquid has cooled before removing drip tray.**

## COOKING CHART

The following times are meant to be used as guidelines only. Times will vary due to the cut or thickness of the meat being cooked. To be sure that the food is truly done, use a cooking thermometer.

Food	Temperature	Time	Directions
Bacon	325°F / 165°C	8 – 16 min.	DO NOT PREHEAT. Turn often.
Eggs	350°F / 180°C	2 – 4 min.	Turn halfway through cooking
Fish steaks, 1" (2.5 cm) thick	400°F / 200°C	10 – 16 min.	Turn halfway through cooking
French toast	350°F / 180°C	6 – 12 min.	Turn halfway through cooking
Hamburger	350°F / 180°C	6 – 18 min.	Turn halfway through cooking
Ham slices	350°F / 180°C	15 – 20 min.	Turn halfway through cooking
Pancakes	375°F / 190°C	3 – 6 min.	Pour batter onto griddle. When bubbles appear on top side, turn
Pork chops, ½" (1.25 cm) thick	350°F / 180°C	6 – 10 min.	Brown both sides, then reduce temp to 325°F (165°C). Turn halfway through remaining cooking time
Sandwiches	350°F / 180°C	5 – 8 min.	Butter outside and brown both sides
Sausage	325°F / 165°C	15 – 20 min.	DO NOT PREHEAT. Turn often.
Steaks, ¾" (2 cm) thick	400°F / 200°C	Rare: 6 – 11 min. Med: 9 – 16 min. Well: 15 – 22 min.	Turn halfway through cooking time

**Please note:** To be sure your food is fully cooked the USDA recommends the following guidelines. Use a meat thermometer to test for doneness by inserting the meat thermometer into the center of the food being cooked and make sure the thermometer is not touching the bone or griddle plate.

FOOD TO BE COOKED	MEDIUM		WELL DONE OR FULLY COOKED	
			170°F	77°C
Chicken Breast			170°F	77°C
Chicken Thigh			180°F	82°C
Beef / Lamb / Veal	160°F	71°F	170°F	77°C
Pork			160°F	71°C
Reheated cooked meats and poultry			165°F	74°C

### COOKING HINTS AND TIPS

- Use tender cuts of meat.
- Marinate tougher cuts of meat to tenderize them before cooking.
- To avoid drying out meat and fish, do not pierce with a utensil.
- Better cooking results will be achieved with boneless cuts of meat, chicken and fish.
- Cut edge of meat in several places to prevent curling.
- When cooking fish or chicken breast fillets, tuck extremely thin parts under to prevent overcooking.
- If cooking more than one item, select foods of even thickness. This will promote consistent doneness and appearance.
- When cooking small portions, make sure meat is centered on griddle. When cooking larger portions, distribute evenly and allow 1 inch of space between foods to promote uniform cooking.
- Some foods such as eggs and pancakes cook better if the nonstick surface is conditioned with vegetable shortening before preheating. If necessary, remove excess oil with a paper towel.
- Adjust heat setting gradually and only as necessary. Cooking foods at too high a temperature can cause them to dry out.
- If food is undercooked when removed from griddle, simply return to griddle for additional cooking time.

## Care and Cleaning

This product contains no user serviceable parts. Refer service to qualified service personnel.

### CLEANING

**Warning:** To avoid electric shock, unplug from outlet when not in use and before cleaning. Do not immerse temperature control probe, cord or plug in water or other liquid.

**Caution:** To avoid accidental burns, allow griddle to cool thoroughly before cleaning.

1. Before cleaning, turn the temperature control knob to Off and unplug from the wall outlet. Remove temperature control probe, wipe with a damp cloth and dry thoroughly.
2. Place drip tray under front of griddle with the handle facing out. Using the spatula, scrape off any excess fat and food particles.
3. Empty the drip tray.
4. Wash griddle, drip tray and spatula in warm soapy water; rinse and dry thoroughly.

**Caution:** temperature control probe and probe receptacle must always be completely dry before use. The drip tray and plastic spatula may be washed in the dishwasher, top-rack only. Do not wash griddle in the dishwasher.

5. **Stubborn Build-up:** If necessary, use a nonmetallic scrubbing pad to clean the griddle. Do not use steel wool, scouring pads or abrasive cleaners on any part of the appliance.

### STORAGE

Unplug unit, allow to cool and clean before storing. Store in a clean, dry place. Never store griddle while it is hot or still plugged in. Never wrap cord tightly around the appliance, as this could cause the cord to fray and break.

# RECIPES

## QUICK AND EASY PORK TENDERLOINS

8 boneless pork tenderloins, ½ inch (1.25 cm) thick

¼ cup (60 ml) low sodium soy sauce

½ tbsp. (7.5 ml) ground ginger

1 clove garlic, chopped

¼ tsp. (1 ml) black pepper

1. Preheat griddle on 350°F/180°C for 10 minutes.
2. Remove all visible fat from pork.
3. Combine soy sauce, ginger, garlic and pepper in a flat glass pan.
4. Dip each tenderloin into soy ginger sauce and place onto the hot griddle.
5. Grill for 3 – 4 minutes, turn over and continue grilling another 3 – 4 minutes or until done according to your preference.

Serves 4 – 8

## THE CLASSIC RUBEN

12 slices rye bread

¾ lb. (340 g) deli corned beef, thinly sliced

1½ cups (355 ml) sauerkraut, rinsed and well drained

6 slices Swiss cheese

⅓ cup (80 ml) butter, softened

½ cup (120 ml) Thousand Island dressing

¼ cup (60 ml) catsup

Salt and pepper to taste

1. Preheat griddle on 350°F/180°C for 10 minutes.
2. Brush each bread slice with butter on one side only.
3. Season sauerkraut with salt and pepper and mix catsup with Thousand Island dressing.
4. Spread dressing equally over non-buttered sides of bread. Place slices of bread (buttered side down) onto the griddle.
5. Top each slice with corned beef, sauerkraut and a cheese slice.
6. Top each sandwich with another slice of bread (buttered side up).
7. Grill for 4 – 5 minutes or until golden brown, flip sandwich over and continue to grill another 4 – 5 minutes or until golden brown.

Serves 6

## ENGLISH MUFFINS WITH CANADIAN BACON, EGG AND CHEESE

2 English muffins

4 slices Canadian bacon, 3" (8 cm) diameter

⅓ cup (80 ml) Egg Beaters®

4 slices sharp cheddar cheese

Butter, softened

Salt and pepper

1. Preheat griddle on 350°F/180°C for 10 minutes.
2. Spread butter on cut side of English muffins. Place butter side down on griddle.
3. Add Canadian bacon slices.
4. Drop ½ tsp. (2.5 ml) of butter on the griddle and pour Egg Beaters® on top of the butter. Add salt and pepper to taste.
5. Turn Canadian bacon over and top with cheese slices.
6. Turn eggs over after they have set.
7. When egg is done and cheese is soft, turn over English muffin, top with Canadian bacon, cheese side down and then add egg.

Serves 2 – 4

# IMPORTANTES CONSIGNES DE SÉCURITÉ

Lorsqu'on utilise des appareils électriques, il faut toujours respecter certaines règles de sécurité fondamentales, notamment les suivantes :

- Lire toutes les directives.
- Ne pas toucher aux surfaces chaudes; utiliser les poignées et les boutons.
- Afin d'éviter les risques de choc électrique, ne pas immerger le cordon, la fiche ou le variateur de température dans l'eau ou tout autre liquide.
- Exercer une étroite surveillance lorsque l'appareil est utilisé par un enfant ou près d'un enfant.
- Débrancher l'appareil lorsqu'il ne sert pas ou avant de le nettoyer. Laisser l'appareil refroidir avant d'y placer ou d'en retirer des composantes, et de le nettoyer.
- Ne pas utiliser un appareil dont la fiche ou le cordon est abîmé, qui fonctionne mal ou qui a été endommagé de quelque façon que ce soit. Pour un examen, une réparation ou un réglage, rapporter l'appareil à un centre de service autorisé. Ou composer le numéro sans frais inscrit sur la page couverture du présent guide.
- L'utilisation d'accessoires non recommandés par le fabricant de l'appareil peut occasionner des blessures.
- Ne pas utiliser l'appareil à l'extérieur.
- Ne pas laisser pendre le cordon sur le bord d'une table ou d'un comptoir ni le laisser entrer en contact avec une surface chaude.
- Ne pas placer l'appareil sur le dessus ou près d'un élément chauffant électrique ou à gaz ni dans un four chaud.
- Faire preuve de grande prudence pour déplacer un appareil contenant de l'huile brûlante ou autre liquide chaud.
- Insérez toujours le variateur de température dans l'appareil avant débrancher le cordon électrique dans une prise de courant. Pour débrancher l'appareil, placer toutes les commandes à la position « Off » (arrêt) et retirer la fiche de la prise.
- Utiliser l'appareil uniquement aux fins pour lesquelles il a été conçu.

## CONSERVER CES INSTRUCTIONS.

**L'appareil est conçu pour une utilisation domestique seulement.**

# AUTRES RECOMMANDATIONS IMPORTANTES

**Attention, surfaces chaudes : Cet appareil produit de la chaleur et de la vapeur durant son fonctionnement. Il est recommandé de prendre certaines précautions afin d'éviter les risques de brûlures ou de blessures et d'incendie ou autres dommages.**

**Attention : Cet appareil devient très chaud durant son fonctionnement et reste chaud un certain temps après son extinction. Porter des gants isolants avant de manipuler des surfaces chaudes et laisser refroidir les parties métalliques avant de nettoyer l'appareil. Ne rien déposer sur l'appareil pendant son fonctionnement, ni lorsqu'il est encore chaud.**

1. Avant de faire fonctionner ou de nettoyer cet appareil, tout utilisateur doit avoir lu et compris toutes les instructions de ce manuel.
2. Le cordon électrique de l'appareil ne doit être branché que dans une prise murale de 120V c.a.
3. En cas de mauvais fonctionnement, débrancher le cordon électrique de la prise murale. Ne pas utiliser ni tenter de réparer cet appareil s'il est défectueux.
4. Pour réduire les risques d'incendie, ne jamais laisser cet appareil fonctionner sans surveillance.
5. Lorsque l'appareil est en service, veiller à assurer une bonne circulation d'air au-dessous et sur les côtés. Ne pas faire fonctionner cet appareil à proximité de rideaux, de papiers peints, de vêtements, de torchons ou de tout autre matériau inflammable.

**Attention : Le variateur de température est un instrument de cuisson de précision. Par conséquent, il faut éviter les chutes ou les chocs contre une surface dure. Ne jamais débrancher le variateur de température en le tirant par le cordon électrique mais en le saisissant par son boîtier.**

## FICHE MISE À LA TERRE

Par mesure de sécurité, le produit comporte une fiche mise à la terre qui n'entre que dans une prise à trois trous. Il ne faut pas neutraliser ce dispositif de sécurité. La mauvaise connexion du conducteur de terre présente des risques de secousses électriques. Communiquer avec un électricien certifié lorsqu'on se demande si la prise est bien mise à la terre.

## CORDON ÉLECTRIQUE

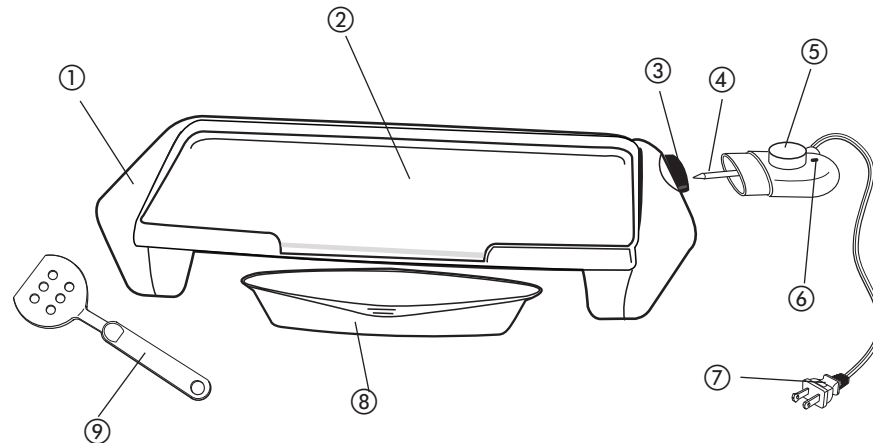
- a) Le cordon d'alimentation de l'appareil est court afin de minimiser les risques d'enchevêtrement ou de trébuchement.
- b) Il existe des cordons d'alimentation ou de rallonge plus longs et il faut s'en servir avec prudence.
- c) Lorsqu'on utilise un cordon de rallonge, il faut s'assurer que:
  - 1) La tension nominale du cordon d'alimentation ou de rallonge soit au moins égale à celle de l'appareil, et que;
  - 2) Le cordon soit placé de sorte qu'il ne soit pas étalé sur le comptoir ou la table d'où des enfants pourraient le tirer, ni placé de manière à provoquer un trébuchement par inadvertance.
  - 3) Lorsque l'appareil est de type mis à la terre, il faut utiliser un cordon de rallonge mis à la terre à trois broches.

## VIS INDESSERRABLE

**Avertissement : L'appareil est doté d'une vis indesserrable empêchant l'enlèvement du couvercle extérieur. Pour réduire les risques d'incendie ou de secousses électriques, ne pas tenter de retirer le couvercle extérieur. L'utilisateur ne peut pas remplacer les pièces de l'appareil. En confier la réparation seulement au personnel des centres de service autorisés.**

**Note :** Lorsque le cordon d'alimentation est endommagé, il faut le faire remplacer par du personnel qualifié ou, en Amérique latine, par le personnel d'un centre de service autorisé.

Le produit peut différer légèrement de celui illustré.



1. Poignée isolée
2. Plaques de cuisson
3. Prise du variateur de température
- † 4. Variateur de température (n° de pièce 22795)
5. Bouton de réglage de température
6. Témoin lumineux
7. Cordon électrique
- † 8. Bac d'égouttement avec poignée, noir (n° de pièce 22794)
- † 9. Spatule en matière plastique (n° de pièce 20493)

**Remarque :** † indique que la pièce est remplaçable par l'utilisateur/amovible



# Utilisation

Cet appareil est conçu pour un usage domestique seulement.

## POUR COMMENCER

- Retirer tous les matériaux d'emballage et les étiquettes.
- Retirer et conserver la documentation.
- Laver toutes les pièces amovibles telles qu'il est indiqué à la section ENTRETIEN ET NETTOYAGE de ce guide.
- Passer un linge ou une éponge humide sur le surface de cuisson afin d'éliminer toute poussière. Sécher à l'aide d'un linge doux ou d'un essuie-tout.
- Choisir un endroit où placer l'appareil en laissant suffisamment d'espace entre l'arrière et le dessus de l'appareil et le mur pour permettre à la chaleur de circuler sans endommager les armoires ou les murs.

## UTILISATION DE VOTRE PLAQUE A FRIRE

1. Avant la première utilisation, essuyez la plaque à frire de la manière décrite au chapitre « ENTRETIEN ».
2. Glissez le bac d'égouttement sous l'avant de l'appareil, en orientant la poignée vers l'extérieur.
3. **Préchauffage** : Tournez le bouton de réglage de température à la position d'arrêt (Off). Insérez le variateur de température dans son réceptacle situé sur l'appareil. Branchez le cordon électrique dans une prise murale de 120V c.a. Le variateur de température vous permet de régler la température de cuisson de 125 °C (250 °F) à 200 °C (400 °F). Alignez la marque de la température désirée avec le témoin de préchauffage. Lorsque la plaque de cuisson commence à chauffer, le témoin de préchauffage s'allume et demeurera allumé jusqu'à ce que la température désirée soit atteinte.

**Remarque : Le témoin de préchauffage s'allumera et s'éteindra pendant la cuisson pour indiquer que la température désirée est maintenue.**

4. Laissez l'appareil préchauffer sauf indication contraire du « GUIDE DE CUISSON ». Le temps de préchauffage variera en fonction de la température choisie. Plus celle-ci est élevée, plus le temps de préchauffage sera long.
5. Déposez délicatement les aliments sur la plaque à frire.
6. Laissez cuire les aliments en les retournant à mi-cuisson au besoin.

**Important : Ne laissez pas l'appareil fonctionner sans surveillance !**

7. À la fin du temps de cuisson, tournez le bouton de réglage de la température à la position d'arrêt (Off). Débranchez le cordon électrique de la prise murale.
8. Retirez les aliments à l'aide de la spatule en matière plastique fournie. N'utilisez que des ustensiles en silicone, matière plastique ou en bois pour ne pas égratigner la surface antiadhésive. Ne vous servez jamais d'ustensiles métalliques (pinces, fourchettes ou couteaux) car ils endommageraient le revêtement de la plaque de cuisson.
9. Laissez l'appareil refroidir complètement. Lorsqu'il est froid, vous pouvez retirer le bac d'égouttement pour le vider.

**Important : Assurez-vous que le liquide est refroidi avant de retirer le bac d'égouttement.**

# GUIDE DE CUISSON

Ces renseignements sont fournis à titre indicatif seulement. Les temps de cuisson peuvent varier selon le type ou l'épaisseur des coupes de viande.

Pour s'assurer que les aliments sont suffisamment cuits il est préférable d'utiliser un thermomètre de cuisson.

Aliments	Température	Temps de cuisson	Remarques
Bacon	165 °C / 325 °F	8 à 16 min.	NE PAS PRÉCHAUFFER. Retourner souvent.
Œufs	180 °C / 350 °F	2 à 4 min.	Retourner à mi-cuisson
Darnes de poisson, 2,5 cm (1 po) d'épaisseur	200 °C / 400 °F	10 à 16 min.	Retourner à mi-cuisson
Tranches de jambon	180 °C / 350 °F	6 à 12 min.	Retourner à mi-cuisson
Hamburger	180 °C / 350 °F	6 à 18 min.	Retourner à mi-cuisson
Pain doré	180 °C / 350 °F	15 à 20 min.	Retourner à mi-cuisson
Crêpes	190 °C / 275 °F	3 à 6 min.	Verser la pâte sur la plaque. Lorsque des bulles apparaissent sur le dessus, retourner.
Côtelettes de porc, 1,25 cm (½ po) d'épaisseur	180 °C / 350 °F	6 à 10 min.	Faire rôtir des deux côtés, puis réduire la température à 165 °C (325 °F). Retourner à mi-cuisson.
Sandwiches	180 °C / 350 °F	5 à 8 min.	Beurrer l'extérieur et faire rôtir des deux côtés.
Saucisses	165 °C / 325 °F	15 à 20 min.	NE PAS PRÉCHAUFFER. Retourner souvent.
Biftecks, 2 cm (¾ po) d'épaisseur	200 °C / 400 °F	Saignant : 6 à 11 min. À point : 9 à 16 min. Bien cuit : 15 à 22 min.	Retourner à mi-cuisson

**Note :** Pour assurer la cuisson complète des aliments, le *United States Department of Agriculture* (ministère américain de l'Agriculture) recommande que la viande et la volaille soient cuites aux températures internes suivantes. Pour s'assurer que la viande est bien cuite, utiliser un thermomètre à cuisson et l'insérer au centre du morceau de viande, en s'assurant qu'il ne touche pas à l'os ou le plaques de cuisson.

ALIMENT À CUIRE	À POINT		BIEN CUIT OU COMPLÈTEMENT CUIT	
Poitrine de poulet			170 °F	77 °C
Cuisse de poulet			180 °F	82 °C
Bœuf / agneau / veau	160 °F	71 °C	170 °F	77 °C
Porc			160 °F	71 °C
Viandes et volailles cuites, réchauffées			165 °F	74 °C

### CONSEILS UTILES POUR LA CUISSON

- Choisissez des coupes de viande tendres.
- Faites mariner les viandes plus fermes afin de les attendrir avant la cuisson.
- Pour éviter de dessécher les viandes et les poissons, évitez de les percer avec un ustensile.
- Vous obtiendrez de meilleurs résultats avec des coupes de viande désossées et des poissons sans arêtes.
- Taillez les pièces de viande de manière à empêcher les extrémités de se relever.
- Pour faire griller des filets de poisson ou des poitrines de poulet désossées, repliez les extrémités minces vers le dessous pour éviter qu'elles ne dessèchent.
- Si vous faites cuire plusieurs pièces en même temps, assurez-vous qu'elles soient de même épaisseur. Ainsi toutes les pièces cuiront de la même manière.
- Pour faire cuire de petites portions, assurez-vous que la viande se trouve bien au centre de la plaque de cuisson. Pour faire cuire plusieurs portions, répartissez celles-ci sur la plaque en les espaçant de 2,5 cm (1 po) afin d'obtenir une cuisson uniforme.
- Certains aliments comme les œufs et les crêpes cuisent mieux lorsque la surface est légèrement enduite de graisse végétale avant le préchauffage. Au besoin, enlevez l'excès de graisse avec du papier essuie-tout.
- Pour ajuster la température de cuisson, effectuez des réglages progressifs et uniquement si nécessaire. Une température trop élevée peut dessécher les aliments.
- Si les aliments ne sont pas assez cuits lorsque vous les retirez de la plaque, il suffit de les remettre à cuire pour quelques instants.

## Entretien et nettoyage

L'utilisateur ne peut effectuer lui-même l'entretien d'aucune pièce de ce produit. Confier l'entretien à un technicien qualifié.

### ENTRETIEN

**Avertissement :** Afin d'éviter un choc électrique, débranchez l'appareil lorsqu'il n'est pas en service et avant de le nettoyer. Ne pas plonger le variateur de température, le cordon ou la fiche électrique dans un liquide.

**Attention :** Pour éviter de graves brûlures, laissez refroidir l'appareil complètement avant de le nettoyer.

1. Avant de procéder au nettoyage, tournez le bouton de réglage de température à la position d'arrêt (Off) et débranchez le cordon électrique de la prise murale. Déconnectez le variateur de température et essuyez-le avec un chiffon légèrement humide, puis séchez-le soigneusement.
2. Placez le bac d'égouttement sous l'avant de l'appareil, poignée tournée vers l'extérieur. À l'aide de la spatule en matière plastique, grattez tous résidus de graisse et les particules d'aliments.
3. Videz le bac d'égouttement.
4. Lavez la plaque à frire, le bac d'égouttement et la spatule dans de l'eau chaude savonneuse. Rincez et séchez soigneusement.

**Attention :** Le variateur de température et son réceptacle doivent toujours être parfaitement secs avant usage. Le bac d'égouttement et la spatule en plastique peuvent être passés au lave-vaisselle dans le panier supérieur. Ne passez pas la plaque à frire au lave-vaisselle.

5. **Résidus tenaces :** Si nécessaire, passez un tampon à récurer non métallique sur la plaque à frire. N'utilisez de laine d'acier ni de tampons et autres produits abrasifs sur aucune surface de l'appareil.

### RANGEMENT

Débranchez l'appareil, laissez-le refroidir et nettoyez-le avant de l'entreposer. Rangez-le dans un endroit propre et sec. Ne rangez jamais l'appareil s'il est encore chaud ou branché. Afin d'éviter une rupture éventuelle du cordon électrique, ne serrez jamais celui-ci autour de l'appareil.

# RECETTES

## FILETS DE PORC

8 filets de porc désossés d'environ 1,25 cm (½ po) d'épaisseur

60 ml (¼ tasse) sauce de soja faible en sodium

7,5 ml (½ c. à table) gingembre moulu

1 gousse d'ail, hachée

1 ml (¼ c. à thé) poivre noir

1. Faites préchauffer la plaque à frire à 180 °C (350 °F) pendant 10 minutes.
2. Retirez tout le gras apparent sur les filets de porc.
3. Combinez la sauce de soja, le gingembre, l'ail et le poivre dans un large plat en verre.
4. Faites tremper chaque filet dans la sauce de soja et déposez-le sur la plaque à frire chaude.
5. Faites cuire pendant 3 à 4 minutes, retournez-les et cuisez encore 3 à 4 minutes ou jusqu'au degré de cuisson préféré.

Donne 4 à 8 portions

## SANDWICH REUBEN

12 tranches pain de seigle

340 g (¾ lb) corned-beef en tranches fines

355 ml (1½ tasses) choucroute rincée et bien égouttée

6 tranches fromage Suisse

80 ml (⅓ tasse) beurre, ramolli

120 ml (½ tasse) mayonnaise des Mille-îles

60 ml (¼ tasse) ketchup de tomates

Sel et poivre au goût

1. Faites préchauffer la plaque à frire à 180 °C (350 °F) pendant 10 minutes.
2. Beurrez chaque tranche de pain d'un seul côté.
3. Salez et poivrez la choucroute et mélangez le ketchup avec la mayonnaise des Mille-îles.
4. Étalez cet assaisonnement uniformément sur le côté non beurré des tranches de pain. Déposez celles-ci sur la plaque à frire, côté beurré vers le bas.
5. Recouvrez chaque tranche de pain de corned-beef, de choucroute et de fromage Suisse.
6. Recouvrez chaque sandwich avec encore une tranche de pain, côté beurré vers le haut.
7. Faites griller pendant 4 à 5 minutes, ou jusqu'à bien dorés, puis retournez les sandwiches et cuisez encore pendant 4 à 5 minutes, ou jusqu'à bien dorés.

Donne 6 portions

## MUFFINS ANGLAIS AVEC BACON CANADIEN, ŒUFS ET FROMAGE

2 muffins anglais

4 tranches bacon canadien, environ 8 cm (3 po) de diamètre

80 ml (⅓ tasse) *Egg Beaters<sup>MD</sup>*, (ou similaire)

4 tranches cheddar piquant

Beurre ramolli

Sel et poivre

1. Faites préchauffer la plaque à frire à 180 °C (350 °F) pendant 10 minutes.
2. Ouvrez les muffins en deux et beurrez l'intérieur, puis déposez ceux-ci sur la plaque de cuisson, côté beurré vers le bas.
3. Ajoutez les tranches de bacon canadien.
4. Déposez 2,5 ml (½ c. à thé) de beurre sur la plaque à frire et versez le jaune d'œuf (*Egg Beaters<sup>MD</sup>*) sur le beurre. Salez et poivrez au goût.
5. Retournez le bacon et recouvrez-le de tranches de fromage.
6. Retournez les œufs lorsqu'ils ont épaissi.
7. Lorsque les œufs sont cuits et que le fromage a commencé à fondre, retournez les muffins et recouvrez-les avec le bacon, le fromage puis ajoutez les œufs.

Donne 2 à 4 portions

## NEED HELP?

For service, repair or any questions regarding your appliance, call the appropriate 800 number on the cover of this book. **DO NOT** return the product to the place of purchase. Also, please **DO NOT** mail product back to the manufacturer, nor bring it to a service center. You may also want to consult the website listed on the cover of this manual.

### Two-Year Limited Warranty

(Applies only in the United States and Canada)

#### What does it cover?

- Any defect in material or workmanship provided; however, Applica's liability will not exceed the purchase price of the product.

#### For how long?

- Two years after the date of original purchase.

#### What will we do to help you?

- Provide you with a reasonably similar replacement product that is either new or factory refurbished.

#### How do you get service?

- Save your receipt as proof of date of sale.
- Check our on-line service site at [www.prodprotect.com/applica](http://www.prodprotect.com/applica), or call our toll-free number, 1-800-231-9786, for general warranty service.
- If you need parts or accessories, please call 1-800-738-0245.

#### What does your warranty not cover?

- Damage from commercial use
- Damage from misuse, abuse or neglect
- Products that have been modified in any way
- Products used or serviced outside the country of purchase
- Glass parts and other accessory items that are packed with the unit
- Shipping and handling costs associated with the replacement of the unit
- Consequential or incidental damages (Please note, however, that some states do not allow the exclusion or limitation of consequential or incidental damages, so this limitation may not apply to you.)

#### How does state law relate to this warranty?

- This warranty gives you specific legal rights, and you may also have other rights that vary from state to state or province to province.

## BESOIN D'AIDE?

Pour communiquer avec les services d'entretien ou de réparation, ou pour adresser toute question relative au produit, composer le numéro sans frais approprié indiqué sur la page couverture. **Ne pas** retourner le produit où il a été acheté. **Ne pas** poster le produit au fabricant ni le porter dans un centre de service. On peut également consulter le site web indiqué sur la page couverture.

### Garantie limitée de deux ans

(Valable seulement aux États-Unis et au Canada)

#### Quelle est la couverture?

- Tout défaut de main-d'oeuvre ou de matériau; toutefois, la responsabilité de la société Applica se limite au prix d'achat du produit.

#### Quelle est la durée?

- Deux ans après l'achat original.

#### Quelle aide offrons nous?

- Remplacement par un produit raisonnablement semblable nouveau ou réusiné.

#### Comment se prévaut-on du service?

- Conserver son reçu de caisse comme preuve de la date d'achat.
- Visiter notre site web au [www.prodprotect.com/applica](http://www.prodprotect.com/applica), ou composer sans frais le 1 800 231-9786, pour obtenir des renseignements généraux relatifs à la garantie.
- On peut également communiquer avec le service des pièces et des accessoires au 1 800 738-0245.

#### Qu'est-ce que la garantie ne couvre pas?

- Des dommages dus à une utilisation commerciale.
- Des dommages causés par une mauvaise utilisation ou de la négligence.
- Des produits qui ont été modifiés.
- Des produits utilisés ou entretenus hors du pays où ils ont été achetés.
- Des pièces en verre et tout autre accessoire emballés avec le produit.
- Les frais de transport et de manutention reliés au remplacement du produit.
- Des dommages indirects (il faut toutefois prendre note que certains états ne permettent pas l'exclusion ni la limitation des dommages indirects).

#### Quelles lois régissent la garantie?

- Les modalités de la présente garantie donnent des droits légaux spécifiques. L'utilisateur peut également se prévaloir d'autres droits selon l'état ou la province qu'il habite.



2009/5-12-74E/F

Copyright © 2009 Applica Consumer Products, Inc.

Made in People's Republic of China  
Printed in People's Republic of China

Fabriqué en République populaire de Chine  
Imprimé en République populaire de Chine

Download from [Www.Somanuals.com](http://Www.Somanuals.com). All Manuals Search And Download.

## Free Manuals Download Website

<http://myh66.com>

<http://usermanuals.us>

<http://www.somanuals.com>

<http://www.4manuals.cc>

<http://www.manual-lib.com>

<http://www.404manual.com>

<http://www.luxmanual.com>

<http://aubethermostatmanual.com>

Golf course search by state

<http://golfingnear.com>

Email search by domain

<http://emailbydomain.com>

Auto manuals search

<http://auto.somanuals.com>

TV manuals search

<http://tv.somanuals.com>