

# GEORGE FOREMAN®

THE LEAN MEAN FAT REDUCING GRILLING MACHINE®

Please Read and Save this Use and Care Book

Por favor lea este instructivo antes de usar el producto

Veuillez lire et conserver ce guide d'entretien et d'utilisation



For online customer service and to register your product, go to [www.prodprotect.com/applica](http://www.prodprotect.com/applica)  
Also view the details for our latest sweepstakes!

## Customer Care Line:

USA/Canada  
1-800-231-9786

Accessories/Parts (USA / Canada)

Accesorios/Partes (EE.UU / Canada)

Accessoires/Pièces (É.-U./Canada)

1-800-738-0245

## Models

## Modelos

## Modèles

GR180V

GR180VCAN

# IMPORTANT SAFEGUARDS

When using electrical appliances, basic safety precautions should always be followed, including the following:

- Read all instructions.
- Do not touch hot surfaces. Use handles or knobs.
- To protect against electrical shock do not immerse cord, plugs or appliance in water or other liquid.
- Close supervision is necessary when any appliance is used by or near children.
- Unplug from outlet when not in use and before cleaning. Allow to cool before putting on or taking off parts.
- Do not operate any appliance with a damaged cord or plug, or after the appliance malfunctions or has been damaged in any manner. Return appliance to the nearest authorized service facility for examination, repair or adjustment. Or, call the appropriate toll-free number on the cover of this manual.
- The use of accessory attachments not recommended by the appliance manufacturer may cause injuries.
- Do not use outdoors.
- Do not let cord hang over edge of table or counter, or touch hot surfaces.
- Do not place on or near a hot gas or electric burner, or in a heated oven.
- Extreme caution must be used when moving an appliance containing hot oil or other hot liquids.
- To disconnect, then remove plug from wall outlet.
- Do not use this appliance for other than intended use.
- The appliance is only to be operated in the closed position.

## SAVE THESE INSTRUCTIONS.

**This product is for household use only.**

### POLARIZED PLUG (FOR US MODELS ONLY)

This appliance has a polarized plug (one blade is wider than the other). To reduce the risk of electric shock, this plug is intended to fit into a polarized outlet only one way. If the plug does not fit fully into the outlet, reverse the plug. If it still does not fit, contact a qualified electrician. Do not attempt to modify the plug in any way.

### GROUNDING PLUG (FOR CANADIAN MODELS ONLY)

As a safety feature, this product is equipped with a grounded plug, which will only fit into a three-prong outlet. Do not attempt to defeat this safety feature. Improper connection of the grounding conductor may result in the risk of electric shock. Consult a qualified electrician if you are in doubt as to whether the outlet is properly grounded.

### TAMPER-RESISTANT SCREW

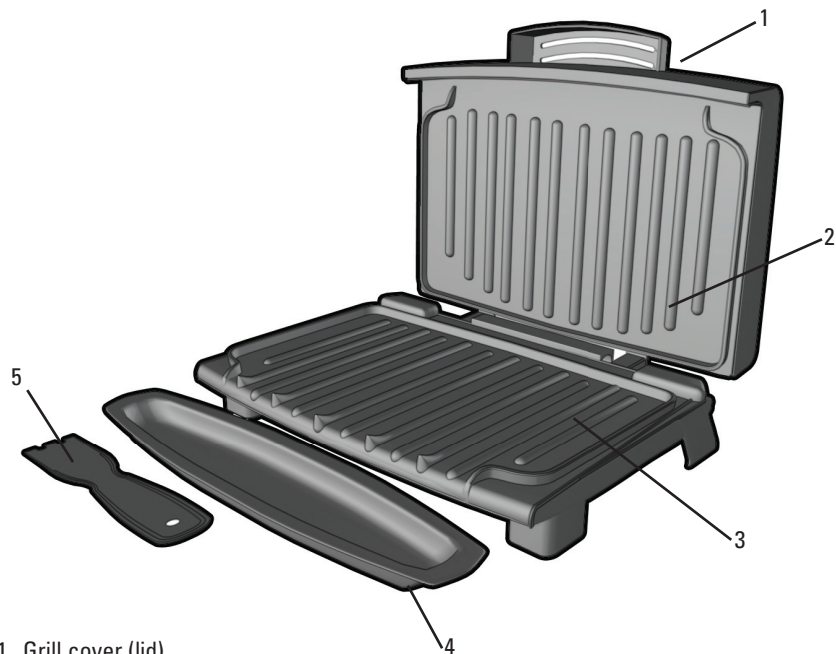
**Warning: This appliance is equipped with a tamper-resistant screw to prevent removal of the outer cover. To reduce the risk of fire or electric shock, do not attempt to remove the outer cover. There are no user-serviceable parts inside. Repair should be done only by authorized service personnel.**

### ELECTRICAL CORD

- a) A short power-supply cord (or detachable power-supply cord) is to be provided to reduce the risk resulting from becoming entangled in or tripping over a longer cord.
- b) Longer detachable power-supply cords or extension cords are available and may be used if care is exercised in their use.
- c) If a long detachable power-supply cord or extension cord is used,
  - 1) The marked electrical rating of the detachable power-supply cord or extension cord should be at least as great as the electrical rating of the appliance,
  - 2) If the appliance is of the grounded type, the extension cord should be a grounding-type 3-wire cord, and
  - 3) The longer cord should be arranged so that it will not drape over the countertop or tabletop where it can be pulled on by children or tripped over.

**Note:** If the power supply cord is damaged, it should be replaced by qualified personnel. In Latin America, by an authorized service center.

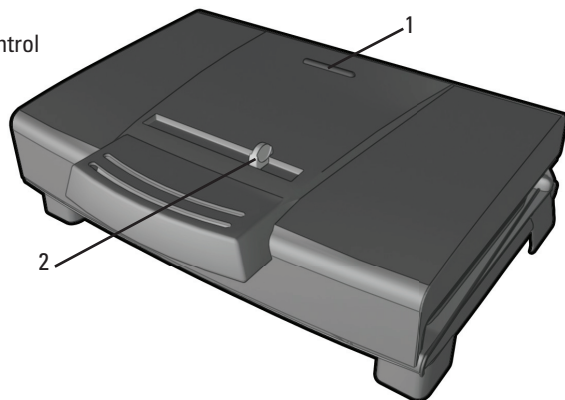
Product may vary slightly from what is illustrated.



- A
1. Grill cover (lid)
  2. Grill plate (upper)
  3. Grill plate (lower)
  - † 4. Drip tray (Part # GR180V-01)
  - † 5. Spatula (Part # GR180V-02)

**Note:** † indicates consumer replaceable/removable parts

1. Preheat indicator light
2. Variable temperature control



B

## How to Use

This product is for household use only.

### GETTING STARTED

- Remove all packing material and any stickers.
- Remove and save literature.
- Please go to [www.prodprotect.com/applica](http://www.prodprotect.com/applica) to register your warranty.
- Wash all removable parts and/or accessories as instructed in CARE AND CLEANING section of this manual.
- Wipe grill plates with a damp cloth or sponge to remove any dust. Wipe dry with a soft cloth or paper towels.
- Select location where unit is to be used, leaving enough space between back of unit and wall to allow heat to flow without damage to cabinets and walls.

### DRIP TRAY

Place the drip tray under the front sloped section of the bottom plate on the grill.

### PREHEATING THE GRILL

1. Close cover on grill.
2. Unwind cord and plug into standard electrical outlet. The power light comes on to indicate that the elements are heating.
3. Set temperature control on top of grill to desired grill setting to begin preheating. (See SUGGESTED GRILL SETTINGS.)
4. Allow the grill to preheat (approximately 4 minutes) before grilling. When the desired temperature is reached, the preheat indicator light will go out.

**Note:** The preheat indicator light will cycle on and off during cooking to indicate your desired temperature is being maintained.

### GRILLING

1. Using a pot holder, carefully open the preheated grill.
  2. Before first use, lightly oil grill plates, if desired.
- Note:** Aerosol cooking spray should not be used on nonstick surface. Chemicals that allow spray to come out of can build up on surface of grill plates and reduce their efficiency.
3. Carefully place foods to be cooked on lower grilling plate. This grill accommodates up to 5 servings.

**Note:** Do not overload grill.

4. Close cover and allow food to cook for desired time. If desired, use a kitchen timer.

**Note:** Use suggested cooking times found in the GRILLING CHART on pages 6, 7 and 8.

**Important:** Do not leave the appliance unattended during use.

5. Light pressure can be used on the handle to press and heat food to your liking.

**Important:** Do not use heavy pressure on the lid of the grill at any time.

6. After selected time, the food should be done. If you would prefer longer cooking, simply following the steps, beginning at step 4.
7. Using a pot holder, carefully open the grill cover.
8. Remove cooked food using plastic spatula provided.

**Note:** Always use nylon, heatproof plastic or wood utensils to avoid scratching nonstick surface of grill plates. Never use metal skewers, tongs, forks or knives.

- When finished cooking, slide the temperature control to the MIN setting and unplug the appliance.

**Important: Heat continues to be ON until grill is unplugged.**

- Allow drip tray to cool before removing it from under grill. Wash and dry drip tray after each use.

### SUGGESTED GRILL SETTINGS

**MIN:** Use to reheat fully cooked foods.

**MIN – Mid:** Sandwiches and wraps.

**Mid:** Fish

**Mid – MAX:** Fruits, vegetables, meat and poultry

### SUGGESTED GRILLING CHART

The following are meant to be used as a guideline only. The times reflect a full grill of food. Cooking time will depend upon thickness and cut being used. Use a cooking thermometer as a test for doneness. If the food needs longer cooking, check periodically to avoid overcooking the food.

FOOD	COOKING TIME	SETTING	COMMENTS
<b>MEAT</b>			
Hamburger (5 oz.)	4 – 6 minutes	MAX	¾-inch thick Cooked to medium (160°F / 71°C)
Frozen Hamburgers (5 oz.)	5 – 6 minutes	MAX	¾-inch thick Cooked to medium (160°F / 71°C)
Flank steak (¾ lb.)	6 – 8 minutes	MAX	¾-inch thick Cooked to medium rare (145°F / 63°C)
Skirt steak (½ lb.)	4 – 6 minutes	MAX	¾-inch thick Cooked to medium (160°F / 71°C)
NY Strip Steak (Shell Steak) 6 oz.	6 – 8 minutes	MAX	¾-inch thick Cooked to medium rare (145°F / 63°C)
Beef Tenderloin (5 oz.)	4 - 6 minutes	MAX	¾-inch thick Cooked to medium rare (145°F / 63°C)
Beef Kabobs	5 – 7 minutes	MAX	Cooked to medium (160°F / 71°C)

FOOD	COOKING TIME	SETTING	COMMENTS
Pork loin chops, boneless	4 – 6 minutes	Mid-MAX	¾-inch thick Cooked to 160°F (71°C)
Pork loin chops, bone in	4 – 6 minutes	Mid-MAX	½ -inch thick Cooked to 160°F (71°C)
Sausage, link or patty	4 - 6 minutes	Mid-MAX	Cooked to 160°F (71°C)
Hot dogs	4 – 5 minutes	Mid-MAX	Cooked to 168°F (76°C)
Bacon	6 – 8 minutes	Mid-MAX	Cooked until just crisp
Smoked pork loin chops, boneless	4 – 6 minutes	Mid-MAX	Cooked to 160°F (71°C)
Lamb chops, loin	5 – 7 minutes	MAX	¾-inch thick Cooked to medium (160°F / 71°C)
<b>POULTRY</b>			
Chicken breast, boneless and skinless (8 oz.)	11 – 13 minutes	Mid-MAX	Cooked to 170° F (77°C)
Chicken tenderloins (4 to 6 pieces)	4 – 6 minutes	Mid-MAX	Cooked to 170°F (77°C)
Turkey tenderloin (¾ lb.)	9 – 11 minutes	Mid-MAX	Cooked to 170°F (77°C)
Turkey burgers (5 oz.)	4 – 6 minutes	Mid-MAX	Cooked to 170°F (77°C)
<b>FISH</b>			
Tilapia fillets (6 oz., ea.)	5 – 7 minutes	Mid	Cooked to 145°F (63°C)
Trout fillet (6 oz.)	4 – 6 minutes	Mid	Cooked to 145°F (63°C)
Salmon fillet (8 oz. piece)	5 – 7 minutes	Mid	Cooked to 145°F (63°C)
Salmon steak (6 – 8 oz.)	7 – 9 minutes	Mid-MAX	Cooked to 145°F (63°C)
Tuna steak (6 oz.)	4 – 6 minutes	Mid-MAX	Cooked to 145°F (63°C)
Shrimp	3 – 4 minutes	Mid-MAX	Cooked to 145°F (63°C)

**Please note:** To be sure your food is fully cooked the USDA recommends the following guidelines. Use a kitchen timer. Using a meat thermometer, test for doneness by inserting the meat thermometer into the center of the food being cooked and make sure the thermometer is not touching the bone or grill plates.

FOOD TO BE COOKED	MEDIUM		WELL DONE OR FULLY COOKED	
Chicken Breast			170°F	77°C
Chicken Thigh			180°F	82°C
Beef / Lamb/Veal	160°F	71°C	170°F	77°C
Pork			160°F	71°C
Reheated cooked meats and poultry			165°F	74°C

### GRILLING FRUITS AND VEGETABLES

The following are meant to be used as a guideline only. The times reflect a full grill of food. Cooking time will depend upon thickness of food. Use a fork inserted into the center of the food to test for doneness. (Be careful not to touch the grill plate.) If the food needs longer cooking, check periodically to avoid overcooking the food.

FOOD	SETTING	GRILLING TIME
Asparagus Spears	Mid-MAX	4 – 6 minutes
Bell peppers, assorted colors cut into ½-inch rings	Mid-MAX	5 – 7 minutes
Mushrooms , thickly sliced	Mid-MAX	4 – 5 minutes
Onion slices, ½-inch	Mid-MAX	5 – 7 minutes
Potato slices, ½-inch	Mid-MAX	15 – 18 minutes
Portabella mushrooms, 3-inch diameter	Mid-MAX	4 – 6 minutes
Zucchini slices, ½-inch	Mid-MAX	3 – 4 minutes
Fresh pineapple slices, ½-inch	Mid-MAX	2 – 4 minutes

### GRILLING TIPS

- To prevent heat loss and for even cooking, do not open the lid frequently.
- Do not overfill grill.
- When first cooking a particular food, check for doneness several minutes before suggested time; if necessary adjust time.
- When cooking several pieces of food, try to have them similar in size and thickness.
- Remember that since grill is cooking from both sides cooking time will typically be shorter than expected. Watch carefully to avoid overcooking.
- For added flavor, add dry seasonings before grilling or marinate foods before cooking.

**Important: Use only nylon, heatproof plastic and wooden utensils when cooking on the grill. Silicone utensils are especially good because they do not discolor or melt with the high temperature.**

## Care and Cleaning

This appliance contains no user-serviceable parts. Refer service to qualified service personnel.

### CLEANING

**Caution: To avoid accidental burns, allow grill to cool thoroughly before cleaning.**

1. Before cleaning, unplug grill from wall outlet and allow to cool.
- Important: Heat continues to be ON until grill is unplugged.**
2. Place drip tray under front of grill. Use plastic spatula to scrape off any excess fat and food particles left on the grill plates; runoff will drip into the drip tray.
  3. Use a warm, soapy sponge to wipe plates clean, then rinse sponge and wipe again to remove any soapy residue. Dry thoroughly with an absorbent paper towel.
  4. To remove stubborn buildup, use a nylon or nonmetallic scrubbing pad to clean the grill plates.

**Important: Do not use metallic scrubbing pads, steel wool or any abrasive cleaners to clean any part of your grill; use only nylon or nonmetallic scrubbing pads.**

5. Empty drip tray and wash in warm, soapy water; dry thoroughly with a paper towel or cloth.
  6. To clean the grill cover, wipe with a warm, damp sponge and dry with a soft, dry cloth.
- Important: Do not immerse body of grill in water or any other liquid.**
7. Any servicing requiring disassembly other than the above cleaning must be preformed by a qualified electrician.

**Caution: Make sure to hold grill cover by the handle while cleaning to prevent accidental closing and injury.**

### STORAGE

Always make sure grill is clean and dry before storing.

## TROUBLESHOOTING

PROBLEM	POSSIBLE CAUSE	SOLUTION
Finish on grill plates is scratched or has cut marks.	Metal utensils have been used.	Always use heatproof plastic, nylon or wood utensils to avoid scratching nonstick surface of grill plates. Never use metal skewers, tongs, forks or knives.
The indicator light turns on and off.	The heating elements are cycling.	This is normal. The light comes on when the grill is plugged in and off once the set temperature is reached. However, it will cycle on and off to indicate the correct temperature is being maintained.
Grill marks on food are very light. The food looks steamed.	Grill was not fully preheated before use.	Always preheat grill at least 4 minutes before cooking any foods.
There is food buildup on grill plates.	Grill not properly cleaned after use.	Use nylon scrubbing pad and hot, soapy water to clean grill plates. Do not use steel wool scrubbing pads or abrasive cleaners to clean grill.
Food is dry and burnt.	Food is overcooked.	Because grill is cooking from both sides, food is cooked much faster than in a skillet or under a broiler. Use SUGGESTED GRILLING CHART as a guide and check food at lowest time stated on chart.
Grill does not turn on.	Grill is not plugged in.	Check to be sure appliance is plugged into working outlet.
The grill plate has white spots on it.	The water from cleaning has dried on the surface of the grill plates.	Dry grill plate immediately after washing.

## INSTRUCCIONES IMPORTANTES DE SEGURIDAD

Cuando se usan aparatos eléctricos, siempre se deben respetar las siguientes medidas básicas de seguridad:

- Por favor lea todas las instrucciones.
- No toque las superficies calientes. Use las asas o las perillas.
- A fin de protegerse contra un choque eléctrico y lesiones a las personas, no sumerja el cable, los enchufes ni el aparato en agua ni en ningún otro líquido.
- Todo aparato eléctrico usado en la presencia de los niños o por ellos mismos requiere la supervisión de un adulto.
- Desconecte el aparato del tomacorriente cuando no esté en uso y antes de limpiarlo. Espere que el aparato se enfríe antes de instalarle o retirarle piezas y antes de limpiarlo.
- No use ningún aparato eléctrico que tenga el cable o el enchufe averiado, que presente un problema de funcionamiento o que esté dañado. Acuda a un centro de servicio autorizado para que lo examinen, reparen o ajusten o llame gratis al número correspondiente en la cubierta de este manual.
- El uso de accesorios no recomendados por el fabricante del aparato puede ocasionar incendio, choque eléctrico o lesiones a las personas.
- No use este aparato a la intemperie.
- No permita que el cable cuelgue del borde de la mesa o del mostrador ni que entre en contacto con superficies calientes.
- No coloque el aparato sobre ni cerca de las hornillas de gas o eléctricas ni adentro de un horno caliente.
- Tome mucha precaución al mover de un lugar a otro un aparato que contenga aceite u otros líquidos calientes.
- Para desconectar, retire el enchufe del tomacorriente.
- Este aparato se debe usar únicamente con el fin previsto.
- Este aparato solo debe dejarse funcionar en posición cerrada.

**CONSERVE ESTAS INSTRUCCIONES.**  
**Este aparato eléctrico es para uso doméstico solamente.**

### ENCHUFE POLARIZADO (SOLAMENTE PARA LOS MODELOS DE EE.UU.)

Este aparato cuenta con un enchufe polarizado (un contacto es más ancho que el otro). A fin de reducir el riesgo de un choque eléctrico, este enchufe encaja en un tomacorriente polarizado en un solo sentido. Si el enchufe no entra en el tomacorriente, inviértalo y si aun así no encaja, consulte con un electricista. Por favor no trate de alterar esta medida de seguridad.

### ENCHUFE DE TIERRA (SOLAMENTE PARA LOS MODELOS DE CANADÁ)

Como medida de seguridad, este producto cuenta con un enchufe de tierra que tiene tres contactos. No trate de alterar esta medida de seguridad. La conexión inapropiada del conductor de tierra puede resultar en un riesgo de choque eléctrico. Si tiene alguna duda, consulte con un electricista calificado para asegurarse de que el tomacorriente sea uno de tierra.

### TORNILLO DE SEGURIDAD

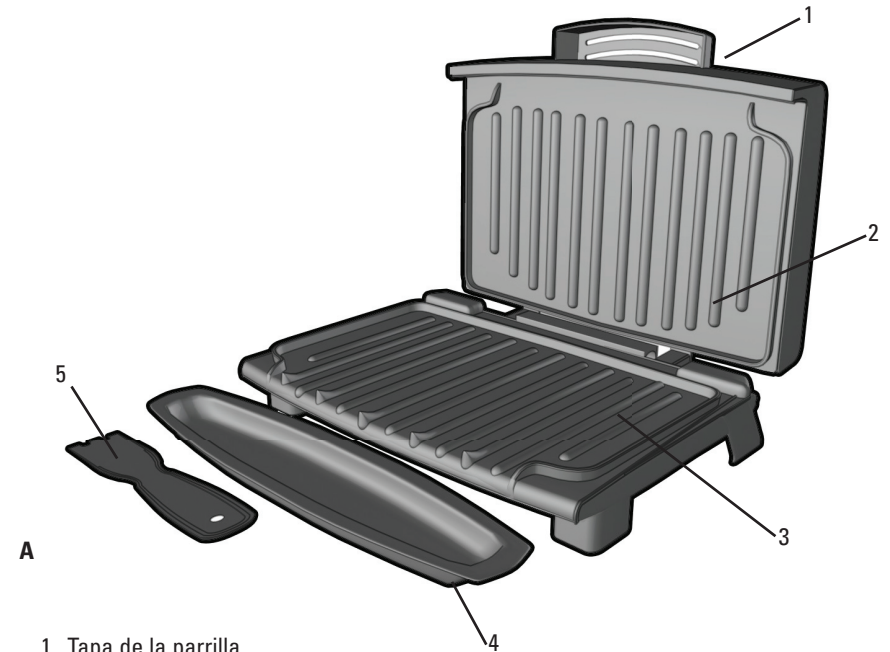
**Advertencia:** Este aparato cuenta con un tornillo de seguridad para evitar la remoción de la cubierta exterior del mismo. A fin de reducir el riesgo de incendio o de choque eléctrico, por favor no trate de remover la cubierta exterior. Este producto no contiene piezas reparables por el consumidor. Toda reparación se debe llevar a cabo únicamente por personal de servicio autorizado.

### CABLE ELÉCTRICO

- El producto se debe proporcionar con un cable eléctrico corto (o uno separable), a fin de reducir el riesgo de tropezar o de enredarse en un cable más largo.
- Existen cables eléctricos más largos y separables o cables de extensión que uno puede utilizar si toma el cuidado debido.
- Si se utiliza un cable separable o de extensión
  - El régimen nominal del cable separable o del cable de extensión debe ser, como mínimo, igual al del régimen nominal del aparato.
  - Si el aparato es de conexión a tierra, el cable de extensión debe ser un cable de tres alambres de conexión a tierra.
  - Uno debe acomodar el cable más largo de manera que no cuelgue del mostrador o de la mesa, para evitar que un niño tire del mismo o que alguien se tropiece.

**Nota:** Si el cordón de alimentación está dañado, en América Latina debe sustituirse por personal calificado o por el centro de servicio autorizado.

El producto puede variar ligeramente del que aparece ilustrado aquí.

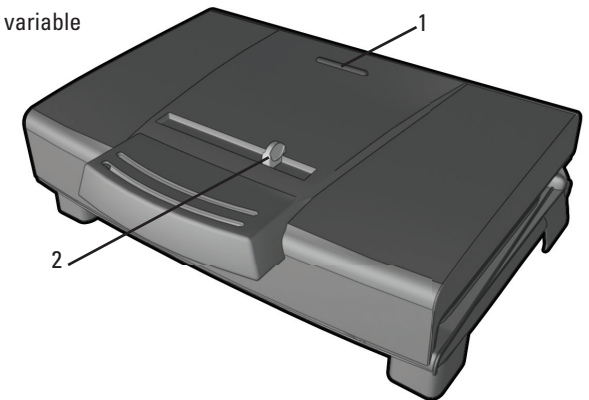


A

- Tapa de la parrilla
- Placa superior de la parrilla
- Placa inferior de la parrilla
- † Bandeja de goteo (Pieza N° GR180V-01)
- † Espátula (Pieza N° GR180V-02)

**Nota:** † indica piezas desmontables/reemplazables por el consumidor

- Luz indicadora de precalentamiento
- Control de temperatura variable



B

# Como usar

Este producto es para uso doméstico únicamente.

## PRIMEROS PASOS

- Elimine todo el material de embalaje y las etiquetas.
- Retire y conserve el material de lectura.
- Vaya a [www.prodprotect.com/applica](http://www.prodprotect.com/applica) para registrar su garantía.
- Lave la bandeja de goteo y espátula según las instrucciones de CUIDADO Y LIMPIEZA de este manual.
- Desempolva las placas de la parrilla con un paño humedecido y séquelas bien con un paño suave o con toallas de papel.
- Seleccione el lugar donde se utilizará este aparato dejando el espacio suficiente entre la parte de atrás del aparato y la pared para permitir que el calor fluya sin dañar armarios y paredes.

## BANDEJA DE GOTEO

Coloque la bandeja de goteo debajo de la parte delantera inclinada de la placa inferior de la parrilla.

## PRECALENTAR LA PLANCHA

1. Cierra la tapa de la plancha.
2. Desenrolle el cable y enchúfelo a un tomacorriente eléctrica estándar. La luz indicadora de precalentamiento se enciende para indicar que los elementos de calefacción han sido activados.
3. Ajuste el control de temperatura en la parte superior de la parrilla al nivel deseado, a fin de precalentar el aparato. (Consulte la guía de NIVELES DE REGULACIÓN RECOMENDADOS.)
4. Precaliente la parrilla (aproximadamente 4 minutos) antes de usarla. La luz se apagará cuando la parrilla haya alcanzado la temperatura deseada.

**Nota:** La luz indicadora de precalentamiento se encenderá y apagará durante el ciclo de cocción a fin de mantener la temperatura deseada.

## ALIMENTOS A LA PARRILLA

1. Con un agarrador, abra cuidadosamente la plancha precalentada.
2. Antes del primer uso, aceite ligeramente las placas de la plancha, si lo desea.

**Nota:** Nunca use rociadores de cocinar sobre las superficies antiadherentes de las placas. Los químicos de los rociadores, se acumulan en las superficies y reducen la eficiencia de las placas.

3. Coloque cuidadosamente los alimentos que desea cocinar en la placa inferior de la plancha precalentada. En esta parrilla por lo general caben hasta 5 porciones.

**Nota:** No sobrecargue la placa de cocción.

4. Cierre la tapa y permita que los alimentos se cocinen por el tiempo programado. Si desea, puede usar un cronómetro de cocina.

**Nota:** Use los tiempos de cocción sugeridos que se encuentran en la TABLA PARA ASAR, en las páginas 16, 17 y 18.

**Importante:** No deje el electrodoméstico sin supervisión durante su uso.

5. Se puede ejercer una presión ligera en el tirador para presionar y calentar el alimento a su agrado.

**Importante:** Nunca utilice demasiada presión sobre la tapa de la parrilla.

6. Después del tiempo seleccionado, el alimento debería estar cocinado. Si Usted prefiere cocinar sus alimentos por más tiempo, simplemente siga las instrucciones, comenzando con el paso número 4.
7. Con un agarrador, abra cuidadosamente la tapa de la plancha.
8. Retire el alimento cocinado con la espátula de plástico suministrada.

**Nota:** Siempre use utensilios de nailon, plástico o madera antitérmicos para evitar rayar la superficie antiadherente de las placas de la plancha. Nunca use espetones, pinzas, tenedores ni cuchillos de metal.

9. Cuando termine de cocinar, gire el control a la posición MIN y desconecte el aparato.

**Importante:** La parrilla permanece encendida hasta que uno la desconecta.

10. Deje que la bandeja de goteo se enfríe antes de retirar la de debajo de la plancha. Lave y seque la bandeja de goteo después de cada uso.

## NIVELES DE REGULACIÓN RECOMENDADOS

**MIN:** Para recalentar alimentos ya cocidos.

**MIN – Medio:** Sándwiches y enrollados de tortilla de harina

**Medio:** Pescado

**Medio – MAX:** Frutas, vegetales, carnes y aves



## TABLA DE SUGERENCIAS PARA ASAR A LA PARRILLA

Los siguientes valores se deben usar como guía únicamente. Los tiempos sugeridos corresponden a la capacidad completa de la parrilla. El tiempo de cocción depende del grosor y del corte utilizado. Use un termómetro de cocción para comprobar si el alimento está listo. Si el alimento necesita una cocción más prolongada, verifique periódicamente para evitar cocinarlo en exceso.

ALIMENTO	TIEMPO DE COCCIÓN	NIVEL	COMENTARIOS
<b>CARNE</b>			
Hamburguesa 141,75 g (5 oz)	4 – 6 minutos	MAX	1,91 cm (¾ pulgada) de grosor Cocción a término medio 71 °C (160 °F)
Hamburguesas congeladas 141,75 g (5 oz)	5 – 6 minutos	MAX	1,91 cm (¾ pulgada) de grosor Cocción a término medio 71 °C (160 °F)
Bistec de vacío 340,19 g (¾ lb)	6 – 8 minutos	MAX	1,91 cm (¾ pulgada) de grosor Cocción a punto 63 °C (145 °F)
Bistec de falda 226,8 g (½ lb)	4 – 6 minutos	MAX	1,91 cm (¾ pulgada) de grosor Cocción a punto 63 °C (145 °F)
Bistec tipo NY (del lomo corto) 170,1 g (6 oz)	6 – 8 minutos	MAX	1,91 cm (¾ pulgada) de grosor Cocción a punto 63 °C (145 °F)
Filete de carne de res 141,75 g (5 oz)	4 – 6 minutos	MAX	1,91 cm (¾ pulgada) de grosor Cocción a punto 63 °C (145 °F)
Pinchos de carne de res	5 – 7 minutos	MAX	Cocción a término medio 71 °C (160 °F)
Chuletas de lomo de puerco, deshuesadas	4 – 6 minutos	Medio- MAX	1,91 cm (¾ pulgada) de grosor Cocción a 71 °C (160 °F)
Chuletas de lomo de puerco, con hueso	4 – 6 minutos	Medio- MAX	1,27 cm (½ pulgada) de grosor Cocción a 71 °C (160 °F)

ALIMENTO	TIEMPO DE COCCIÓN	NIVEL	COMENTARIOS
Embutido, salchichita o pati	4 – 6 minutos	Medio- MAX	Cocción a 71 °C (160 °F)
Hot dogs	4 – 5 minutos		Cocción a 75,5 °C (168 °F)
Tocino	6 – 8 minutos	Medio- MAX	Cocinado hasta estar crujiente
Chuletas de lomo de puerco ahumadas, deshuesadas	4 – 6 minutos	Medio- MAX	Cocción a 71 °C (160 °F)
Chuletas de cordero, lomo	5 – 7 minutos	MAX	1,91 cm (¾ pulgada) de grosor Cocción a término medio 71 °C (160 °F)
<b>AVES</b>			
Pechuga de pollo, deshuesada y sin piel 226,8 g (8 oz)	11 – 13 minutos	Medio- MAX	Cocción a 77 °C (170 °F)
Lomitos de pollo (4 a 6 trozos)	4 – 6 minutos	Medio- MAX	Cocción a 77 °C (170 °F)
Lomo de pavo 340,19 g (¾ lb)	9 – 11 minutos	Medio- MAX	Cocción a 77 °C (170 °F)
Hamburguesas de pavo 141,75 g (5 oz)	4 – 6 minutos	Medio- MAX	Cocción a 77 °C (170 °F)
<b>PESCADO</b>			
Filetes de tilapia 170,1 g (6 oz) c/u	5 – 7 minutos	Medio	Cocción a 63 °C (145 °F)
Filete de trucha 170,1 g (6 oz)	4 – 6 minutos	Medio	Cocción a 63 °C (145 °F)
Filete de salmón 226,8 g (6 – 8 oz) por pieza	5 – 7 minutos	Medio	Cocción a 63 °C (145 °F)
Bistec de salmón 226,8 g (8 oz)	7 – 9 minutos	Medio- MAX	Cocción a 63 °C (145 °F)
Bistec de atún 170,1 g (6 oz)	4 – 6 minutos	Medio- MAX	Cocción a 63 °C (145 °F)
Langostinos	3 – 4 minutos	Medio- MAX	Cocción a 63 °C (145 °F)

**Tenga en cuenta:** Para asegurarse de que su alimento esté completamente cocinado, el Departamento de Agricultura de los Estados Unidos (United States Department of Agriculture, USDA) recomienda las siguientes pautas. Utiliza un cronómetro de cocina. Use un termómetro para carnes para comprobar si el alimento está listo insertando el termómetro para carnes en el centro del alimento que está cocinando y asegúrese de que el termómetro no toque el hueso o las placas de parrilla.

ALIMENTO PARA COCINAR	TÉRMINO MEDIO	BIEN COCIDO O TOTALMENTE COCIDO	
Pechuga de pollo		170 °F	77 °C
Muslo de pollo		180 °F	82 °C
Carne de res/Cordero/Ternera	160 °F      71 °C	170 °F	77 °C
Puerco		160 °F	71 °C
Carne de res y ave cocidas recalentadas		165 °F	74 °C

### COMO ASAR FRUTAS Y VERDURAS A LA PLANCHA

Los siguientes valores se deben usar como guía únicamente. Los tiempos sugeridos corresponden a la capacidad completa de la plancha. El tiempo de cocción depende del grosor del alimento. Introduzca un tenedor en el centro del alimento para comprobar si está listo. (Tenga cuidado de no tocar la placa de la plancha). Si el alimento necesita una cocción más prolongada, verifique periódicamente para evitar cocinarlo en exceso.

ALIMENTO	NIVEL	TIEMPO PARA ASAR A LA PLANCHA
Racimos de espárragos	Medio-MAX	4 – 6 minutos
Pimientos, diversos colores cortados en aros de 1,27 cm (½ pulgada)	Medio-MAX	5 – 7 minutos
Hongos, en rebanadas gruesas	Medio-MAX	4 – 5 minutos
Rebanadas de cebolla, 1,27 cm (½ pulgada)	Medio-MAX	5 – 7 minutos
Rebanadas de papa, 1,27 cm (½ pulgada)	Medio-MAX	15 – 18 minutos
Hongos portobello, 7,62 cm (3 pulgadas) de diámetro	Medio-MAX	4 – 6 minutos
Rebanadas de zucchini, 1,27 cm (½ pulgada)	Medio-MAX	3 – 4 minutos
Rodajas de piña fresca, 1,27 cm (½ pulgada)	Medio-MAX	2 – 4 minutos

### CONSEJOS PARA ASAR A LA PARRILLA

- Para impedir la pérdida de calor y generar una cocción pareja, no abra la tapa de la parrilla frecuentemente durante la cocción.
- No llene la parrilla en exceso.
- Al cocinar por primera vez un alimento específico, compruebe si está listo varios minutos antes del tiempo sugerido; si es necesario, ajuste el temporizador con el botón de control.

- Si cocina más de un trozo de alimento, intente que tengan un tamaño y grosor similares.
- Recuerde que, dado que la parrilla cocina de ambos lados, el tiempo de cocción será típicamente más corto que lo esperado. Preste atención para evitar cocinar en exceso.
- Para obtener un sabor más intenso, agregue los condimentos secos antes de asar a la parrilla o marine los alimentos antes de cocinarlos.

**Importante:** Para cocinar en esta parrilla, use solamente utensilios de nailon, madera o plástico. Se recomienda especialmente los utensilios de silicona, ya que no se descolorean ni se derriten a temperaturas altas.

## Cuidado y limpieza

Este aparato no contiene piezas reparables por el consumidor. Para servicio, por favor acuda a personal calificado.

### LIMPIEZA

**Precaución:** Para evitar quemaduras accidentales, espere hasta que la plancha se enfríe completamente antes de limpiarla.

1. Antes de limpiar, desenchufe la plancha de la toma de corriente de la pared y deje que se enfríe.

**Importante:** Las resistencias seguirán estando encendidas hasta desenchufar el electrodoméstico.

2. Coloque una bandeja de goteo debajo del frente de la parrilla. Use la espátula de plástico para raspar el exceso de grasa y las partículas de alimentos que queden en las placas de la parrilla; el escurrimiento caerá en la bandeja de goteo.
3. Limpie las placas de la parrilla con una esponja y agua tibia jabonada. Enjuague la esponja y repase las placas para limpiar todo residuo de jabón. Seque bien con papel de toalla absorbente.
4. Para eliminar las acumulaciones difíciles, use una esponjilla de nailon o no metálica para limpiar las placas de la parrilla.

**Importante:** No use esponjillas metálicas, lana de acero ni limpiadores abrasivos para limpiar ninguna parte de su plancha; use únicamente esponjillas de nailon o no metálicas.

5. Vacíe la bandeja de goteo y lávela con agua templada en jabón; séquela bien con una toalla de papel.
6. Para limpiar la tapa de la parrilla, limpie con una esponja húmeda templada y seque con un trapo seco suave.

**Importante:** No sumerja la estructura de la parrilla en agua ni en ningún otro líquido.

7. Cualquier servicio técnico que requiera desarmar la parrilla, además de la limpieza mencionada, debe ser realizado por un electricista calificado.

**Precaución:** Asegúrese de sujetar la tapa de la parrilla por el tirador al limpiarla para evitar que se cierre accidentalmente y provoque lesiones.

### ALMACENAMIENTO

Siempre asegúrese de que la parrilla esté limpia y seca antes de almacenarla.

# RESOLUCIÓN DE PROBLEMAS O FALLAS

PROBLEMA	CAUSA POSIBLE	SOLUCIÓN
Las terminaciones de las placas de la parrilla tienen marcas de cortes.	Se han utilizado utensilios de metal.	Siempre use utensilios de nailon, plástico o madera antitérmicos para evitar rayar la superficie antiadherente de las placas de la parrilla. Nunca use espetones, pinzas, tenedores ni cuchillos de metal.
La luz indicadora se enciende y se apaga.	Los elementos calefactores están en ciclo.	Esto es normal. La luz se enciende cuando la parrilla está enchufada y se apaga una vez que ésta alcanza la temperatura programada. No obstante, se encenderá y apagará de forma cíclica para indicar que la parrilla está manteniendo la temperatura adecuada.
Las marcas del asado a la parrilla en los alimentos son muy leves.	No se precalentó la parrilla completamente antes de usarla.	Siempre precaliente la parrilla, por lo menos, 4 minutos antes de cocinar cualquier alimento.
Hay acumulación de comida en las placas de la parrilla.	No se limpió la parrilla correctamente después de usarla.	Use esponjillas de nailon y agua caliente en jabón para limpiar las placas de la parrilla. No use esponjillas de lana de acero ni limpiadores abrasivos para limpiar la parrilla.

PROBLEMA	CAUSA POSIBLE	SOLUCIÓN
El alimento está seco y quemado.	El alimento se ha cocinado en exceso.	Dado que la parrilla cocina de ambos lados, los alimentos se cocinan mucho más rápidamente que en una sartén o en un asador. Use la TABLA DE SUGERENCIAS como guía y controle el alimento cuando haya pasado el tiempo más bajo establecido en la tabla.
La plancha no enciende.	La plancha no está enchufada.	Compruebe que el electrodoméstico esté enchufado en un tomacorriente que funcione.
La parrilla tiene manchas blancas.	El agua de fregar se ha secado sobre la superficie de las placas de la parrilla.	Seque la placa inmediatamente después de lavarla.

# IMPORTANTES CONSIGNES DE SÉCURITÉ

Lorsqu'on utilise des appareils électriques, il faut toujours respecter certaines règles de sécurité fondamentales, notamment les suivantes :

- Lire toutes les directives.
- Ne pas toucher aux surfaces chaudes; utiliser les poignées et les boutons.
- Afin d'éviter les risques de choc électrique, ne pas immerger le cordon, la fiche ou l'appareil dans l'eau ou tout autre liquide.
- Exercer une étroite surveillance lorsque l'appareil est utilisé par un enfant ou près d'un enfant.
- Débrancher l'appareil lorsqu'il ne sert pas ou avant de le nettoyer. Laisser l'appareil refroidir avant d'y placer ou d'en retirer des composantes, et de le nettoyer.
- Ne pas utiliser un appareil dont la fiche ou le cordon est abîmé, qui fonctionne mal ou qui a été endommagé de quelque façon que ce soit. Pour un examen, une réparation ou un réglage, rapporter l'appareil à un centre de service autorisé. Ou composer le numéro sans frais inscrit sur la page couverture du présent guide.
- L'utilisation d'accessoires non recommandés par le fabricant de l'appareil peut occasionner des blessures.
- Ne pas utiliser l'appareil à l'extérieur.
- Ne pas laisser pendre le cordon sur le bord d'une table ou d'un comptoir ni le laisser entrer en contact avec une surface chaude.
- Ne pas placer l'appareil sur le dessus ou près d'un élément chauffant électrique ou à gaz ni dans un four chaud.
- Faire preuve de grande prudence pour déplacer un appareil contenant de l'huile brûlante ou autre liquide chaud.
- Pour débrancher l'appareil, placer toutes les commandes à la position « 0 » (arrêt) et retirer la fiche de la prise.
- Utiliser l'appareil uniquement aux fins pour lesquelles il a été conçu.
- Faire fonctionner l'appareil uniquement lorsqu'il est fermé.

## CONSERVER CES INSTRUCTIONS.

L'appareil est conçu pour une utilisation domestique seulement.

### FICHE POLARISÉE (POUR MODÈLES DES É.-U SEULEMENT)

L'appareil est muni d'une fiche polarisée (une lame plus large que l'autre). Afin de minimiser les risques de secousses électriques, ce genre de fiche n'entre que d'une façon dans une prise polarisée. Lorsqu'on ne peut insérer la fiche à fond dans la prise, il faut tenter de le faire après avoir inversé les lames de côté. Si la fiche n'entre toujours pas dans la prise, il faut communiquer avec un électricien certifié. Il ne faut pas tenter de modifier la fiche.

### FICHE MISE À LA TERRE (POUR MODÈLES DES CANADA SEULEMENT)

Par mesure de sécurité, le produit comporte une fiche mise à la terre qui n'entre que dans une prise à trois trous. Il ne faut pas neutraliser ce dispositif de sécurité. La mauvaise connexion du conducteur de terre présente des risques de secousses électriques. Communiquer avec un électricien certifié lorsqu'on se demande si la prise est bien mise à la terre.

### VIS INDESSERRABLE

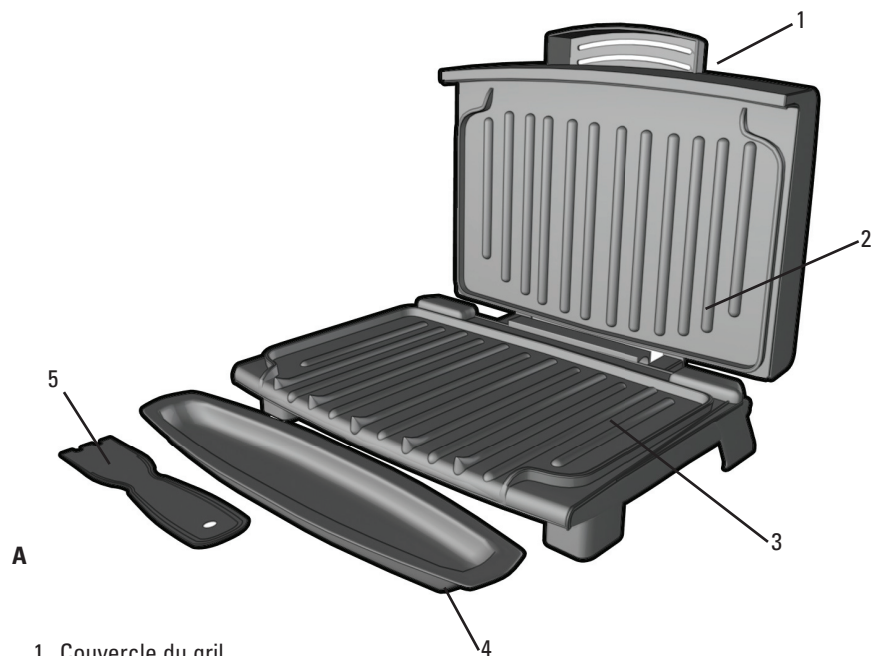
**Avertissement : L'appareil est doté d'une vis indesserrable empêchant l'enlèvement du couvercle extérieur. Pour réduire les risques d'incendie ou de secousses électriques, ne pas tenter de retirer le couvercle extérieur. L'utilisateur ne peut pas remplacer les pièces de l'appareil. En confier la réparation seulement au personnel des centres de service autorisés.**

### CORDON

- a) Le cordon d'alimentation de l'appareil est court (ou amovible) afin de minimiser les risques d'enchevêtrement ou de trébuchement.
- b) Il existe des cordons d'alimentation amovibles ou de rallonge plus longs et il faut s'en servir avec prudence.
- c) Lorsqu'on utilise un cordon d'alimentation amovible ou de rallonge plus long, il faut s'assurer que :
  - 1) La tension nominale du cordon d'alimentation amovible ou de rallonge soit au moins égale à celle de l'appareil, et que;
  - 2) Lorsque l'appareil est de type mis à la terre, il faut utiliser un cordon de rallonge mis à la terre à trois broches, et;
  - 3) Le cordon plus long soit placé de sorte qu'il ne soit pas étalé sur le comptoir ou la table d'où des enfants pourraient le tirer, ni placé de manière à provoquer un trébuchement.

**Note :** Lorsque le cordon d'alimentation est endommagé, il faut le faire remplacer par du personnel qualifié ou, en Amérique latine, par le personnel d'un centre de service autorisé.

Le produit peut différer légèrement de celui illustré.



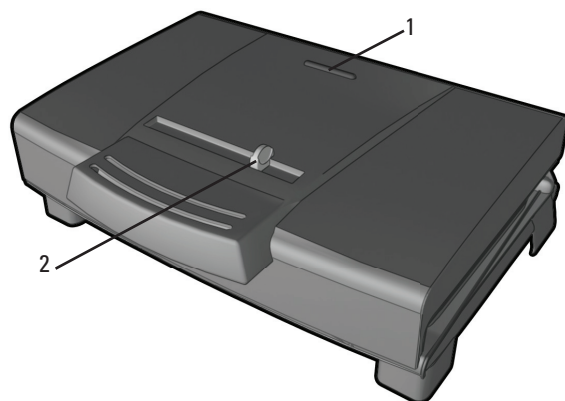
1. Couvercle du grill
2. Plaque supérieure du grill
3. Plaque inférieure du grill
4. Cordon d'alimentation

† 5. Plateau d'égouttage (pièce n° GR180V-01)

† 6. Spatule (pièce n° GR180V-02)

**Remarque :** † indique que la pièce est remplaçable par l'utilisateur/amovible

1. Témoin de préchauffage
2. Cadran de réglage de température



## Utilisation

Cet appareil est conçu pour un usage domestique seulement.

### POUR COMMENCER

- Retirer tous les matériaux d'emballage et les autocollants.
- Conserver la documentation.
- Aller à l'adresse [www.prodprotect.com/applica](http://www.prodprotect.com/applica) pour enregistrer votre garantie.
- Laver toutes les pièces amovibles et/ou les accessoires en suivant les recommandations de la section NETTOYAGE du présent guide.
- Passer un linge ou une éponge humide sur les plaques du grill afin d'éliminer toute poussière. Sécher à l'aide d'un linge doux ou d'un essuie-tout.
- Choisir l'emplacement du grill en laissant suffisamment d'espace entre l'arrière de l'appareil et le mur pour que la chaleur puisse bien circuler et n'endommage pas les armoires et les murs.

### PLATEAU D'ÉGOUTTAGE

Placer le plateau d'égouttage sous la partie inclinée avant du grill.

### PRÉCHAUFFAGE DU GRIL

1. Fermer le couvercle du grill.
2. Dérouler le cordon d'alimentation et le brancher dans une prise de courant. Le témoin de préchauffage s'allume, indiquant que les éléments chauffent.
3. Tourner le cadran de réglage de température situé en haut du grill à la température désirée pour le préchauffage. (Voir le guide des RÉGLAGES DE CUISSON SUGGÉRÉS.)
4. Attendre que le grill soit préchauffé (environ 4 minutes) avant de l'utiliser. Une fois la température sélectionnée atteinte, le témoin de préchauffage s'éteint.

**Remarque :** Le témoin de préchauffage s'allumera et s'éteindra pendant la cuisson pour indiquer que la température désirée est maintenue.

### CUISSON SUR LE GRIL

1. Ouvrir le grill préchauffé avec précaution à l'aide d'une poignée pour le four.
  2. Huiler légèrement les plaques du grill avant la première utilisation, au besoin
- Remarque :** Éviter l'emploi d'antiadhésif en aérosol sur les surfaces antiadhésives, car les produits chimiques permettant la vaporisation peuvent s'accumuler sur la surface des plaques du grill et réduire leur efficacité.
3. Placer délicatement les aliments à cuire sur la plaque inférieure du grill. Ce grill peut cuire jusqu'à 3 portions en même temps.

**Remarque** Ne pas surcharger la plaque du grill.

4. Fermer le couvercle et laisser les aliments cuire pendant la durée nécessaire.  
Au besoin, utiliser une minuterie

**Remarque** Utiliser les temps de cuisson suggérés dans le TABLEAU DE CUISSON aux pages 27, 28 et 29.

**Important :** Ne pas laisser l'appareil sans surveillance pendant son utilisation.

5. Il est possible d'exercer une légère pression sur la poignée pour presser et chauffer les aliments de la façon désirée.

**Important :** Ne jamais exercer de forte pression sur le couvercle du grill.

6. À la fin du temps réglé, les aliments devraient être cuits. Si une cuisson plus longue est désirée, suivre simplement les étapes à partir de l'étape 4.

7. Une fois la cuisson terminée, ouvrir le couvercle avec précaution à l'aide d'une poignée pour le four.

8. Retirer les aliments cuits à l'aide de la spatule en plastique fournie.

**Remarque :** Toujours utiliser des ustensiles en silicone, en plastique résistant à la chaleur ou en bois pour éviter d'égratigner la surface antiadhésive des plaques. Ne jamais utiliser de broches, de pinces, de fourchettes ou de couteaux métalliques.

9. Une fois la cuisson terminée, tourner le cadran de réglage de température sur MIN et débrancher l'appareil.

**Important :** L'appareil continue de **CHAUFFER** jusqu'à ce qu'on le débranche.

10. Laisser le plateau d'égouttage refroidir avant de le retirer de sous le gril. Laver et sécher le plateau d'égouttage après chaque utilisation.

### RÉGLAGES DE CUISSON SUGGÉRÉS

**FAIBLE (MIN) :** Utiliser pour réchauffer des aliments déjà cuits

**MOYEN-FAIBLE :** Sandwichs et roulés

**MOYEN :** Poisson

**MOYEN-ÉLEVÉ :** Fruits, légumes, porc et volaille

**ÉLEVÉ (MAX) :** Bœuf

### TABLEAU DE CUISSON SUGGÉRÉE POUR LE GRILLAGE DES VIANDES, DE LA VOLAILLE, DU POISSON ET DES SANDWICHS

Les temps de cuisson suivants sont fournis uniquement à titre indicatif, pour une cuisson complète. Ils varieront selon la coupe ou l'épaisseur de l'aliment à cuire. Pour s'assurer que l'aliment est bien cuit, utiliser un thermomètre à cuisson. Si l'aliment doit cuire plus longtemps, le replacer sur le gril et le vérifier régulièrement pour éviter qu'il ne soit trop cuit.

ALIMENT	TEMPS DE CUISSON	RÉGLAGE	COMMENTAIRES
<b>VIANDE</b>			
Hamburger (142 g / 5 oz)	4 à 6 minutes	Élevé (MAX)	Épaisseur de 19 mm / ¾ po Cuisson à point (71 °C / 160 °F)
Hamburgers surgelés (142 g / 5 oz)	5 à 6 minutes	Élevé (MAX)	Épaisseur de 19 mm / ¾ po Cuisson à point (71 °C / 160 °F)
Bavette à bifteck (340 g / ¾ lb)	7 à 9 minutes	Élevé (MAX)	Épaisseur de 19 mm / ¾ po Cuisson mi-saignant (63 °C / 145 °F)
Bifteck de hampe (227 g / ½ lb)	5 à 7 minutes	Élevé (MAX)	Épaisseur de 19 mm / ¾ po Cuisson à point (71 °C / 160 °F)
Coquille d'ailon (170 g / 6 oz)	5 à 7 minutes	Élevé (MAX)	Épaisseur de 19 mm / ¾ po Cuisson mi-saignant (63 °C / 145 °F)
Filet mignon (142 g)	4 à 6 minutes	Élevé (MAX)	Épaisseur de 19 mm / ¾ po Cuisson mi-saignant (63 °C / 145 °F)
Kebabs de bœuf	5 à 7 minutes	Élevé (MAX)	Cuisson à point (71 °C / 160 °F)
Côtelette de filet de porc désossée	6 à 8 minutes	Moyen-élevé	Épaisseur de 19 mm / ¾ po Cuisson à 71 °C / 160 °F
Côtelette de filet de porc non désossée	10 à 12 minutes	Moyen-élevé	Épaisseur de 19 mm / ¾ po Cuisson à 71 °C / 160 °F
Saucisse en chapelet ou en boulette	4 à 6 minutes	Moyen-élevé	Cuisson à 71 °C / 160 °F
Hot dogs	4 à 5 minutes	Moyen-élevé	Cuisson à 76 °C / 168 °F
Bacon	6 à 8 minutes	Moyen-élevé	Cuire jusqu'à ce qu'il devienne croustillant
Côtelette de filet de porc fumé désossée	4 à 6 minutes	Moyen-élevé	Cuisson à 71 °C / 160 °F

ALIMENT	TEMPS DE CUISSON	RÉGLAGE	COMMENTAIRES
Côtelette de filet d'agneau	5 à 7 minutes	Moyen-élevé	Épaisseur de 19 mm / ¾ po Cuisson à point (71 °C / 160 °F)
<b>VOLAILLE</b>			
Poitrine de poulet désossée, sans peau (227 g / 8 oz)	11 à 13 minutes	Moyen-élevé	Cuisson à 77 °C / 170 °F
Filets de poulet (4 à 6 morceaux)	4 à 6 minutes	Moyen-élevé	Cuisson à 77 °C / 170 °F
Filets de dinde (340 g / ¾ lb)	9 à 11 minutes	Moyen-élevé	Cuisson à 77 °C / 170 °F
Hamburgers à la dinde (142 g / 5 oz)	4 à 6 minutes	Moyen-élevé	Cuisson à 77 °C / 170 °F
<b>POISSON</b>			
Filets de tilapia (170 g / 6 oz chacun)	De 5 à 7 minutes	Moyen	Cuisson à 63 °C / 145 °F
Filet de truite (170 g / 6 oz)	De 4 à 6 minutes	Moyen	Cuisson à 63 °C / 145 °F
Filet de saumon (morceau de 230 g / 8 oz)	De 5 à 7 minutes	Moyen	Cuisson à 63 °C / 145 °F
Darne de saumon (170 à 230 g / 6 à 8 oz)	De 7 à 9 minutes	Moyen-élevé	Cuisson à 63 °C / 145 °F
Darne de thon (170 g / 6 oz)	De 4 à 6 minutes	Moyen-élevé	Cuisson à 63 °C / 145 °F
Crevettes	De 3 à 4 minutes	Moyen-élevé	Cuisson à 63 °C / 145 °F

**Remarque :** Pour assurer la cuisson complète des aliments, le United States Department of Agriculture (ministère américain de l'Agriculture) recommande que la viande et la volaille soient cuites aux températures internes suivantes. Pour s'assurer que la viande est bien cuite, utiliser un thermomètre à cuisson et l'insérer au centre du morceau de viande, en s'assurant qu'il ne touche pas à l'os ou les plaques du grill.

ALIMENT À CUIRE	À POINT		BIEN CUIT OU COMPLÈTEMENT CUIT	
Poitrine de poulet			170 °F	77 °C
Cuisse de poulet			180 °F	82 °C
Bœuf / agneau / veau	160 °F	71 °C	170 °F	77 °C
Porc			160 °F	71 °C
Viandes et volailles cuites, réchauffées			165 °F	74 °C

### GRILLAGE DE FRUITS ET DE LÉGUMES

Les temps de cuisson suivants sont fournis uniquement à titre indicatif, pour une cuisson complète. Ils varieront selon l'épaisseur de l'aliment à cuire. Pour s'assurer que l'aliment est bien cuit, insérer une fourchette au centre de l'aliment (s'assurer de ne pas toucher la plaque du grill). Si l'aliment doit cuire plus longtemps, le vérifier régulièrement pour éviter de trop le cuire. Les aliments ci-après peuvent être grillés sur les plaques du grill ou sur la plaque de cuisson peu profonde.

ALIMENT	RÉGLAGE	TEMPS DE CUISSON
Pointes d'asperge	Moyen	4 à 6 minutes
Poivrons de couleurs variées, coupés en rondelles de 1,25 cm / ½ po	Moyen	5 à 7 minutes
Champignons tranchés épais	Moyen	4 à 5 minutes
Oignons en tranches de 1,25 cm / ½ po	Moyen-élevé	5 à 7 minutes
Pommes de terre en tranches de 1,25 cm / ½ po	Moyen-élevé	15 à 18 minutes
Champignons portobello de 7,6 cm / 3 po de diamètre	Moyen	4 à 6 minutes
Courgettes en tranches de 1,25 cm / ½ po	Moyen	3 à 4 minutes
Ananas frais en tranches de 1,25 cm / ½ po	Moyen-élevé	2 à 4 minutes

### CONSEILS POUR LE GRILLAGE

- Pour éviter la perte de chaleur et favoriser la cuisson uniforme, ne pas ouvrir le couvercle du grill souvent pendant la cuisson.
- Ne pas surcharger le grill.
- Lors de la cuisson d'un aliment pour la première fois, vérifier l'état de la cuisson plusieurs minutes avant la fin du temps de cuisson suggéré.

- Pour la cuisson de plusieurs morceaux d'aliments, favoriser des morceaux d'une taille et d'une épaisseur similaires.
- Comme la cuisson s'effectue des deux côtés, se rappeler que le temps de cuisson sera habituellement plus court que prévu. Surveiller de près pour éviter de trop cuire.
- Pour rehausser le goût, ajouter des épices sèches avant le grillage ou mariner les aliments avant de les cuire.

**Important : Toujours utiliser des ustensiles en silicone, en plastique résistant à la chaleur ou en bois pour éviter d'égratigner la surface antiadhésive des plaques. Ne jamais utiliser de broches, de pinces, de fourchettes ou de couteaux métalliques.**

## Entretien et nettoyage

L'utilisateur ne peut effectuer lui-même l'entretien d'aucune pièce de cet appareil. Confier l'entretien à un technicien qualifié.

### NETTOYAGE

**Mise en garde : Pour éviter les brûlures accidentelles, laisser refroidir le gril complètement avant de le nettoyer.**

1. Avant de nettoyer le gril, le débrancher de la prise de courant et le laisser refroidir.

**Important : L'appareil continue de CHAUFFER jusqu'à ce qu'on le débranche.**

2. Placer le plateau d'égouttage sous l'avant de l'appareil. À l'aide de la spatule en plastique, gratter toute particule de graisse ou d'aliments qui reste. L'excédent s'écoulera dans le plateau d'égouttage.
3. Utiliser une éponge tiède et savonneuse pour nettoyer les plaques, puis rincer l'éponge et essuyer de nouveau pour éliminer tout résidu de savon. Sécher complètement à l'aide d'un essuie-tout absorbant.
4. Pour nettoyer les résidus tenaces sur les plaques du gril, utiliser un tampon à récurer en nylon ou non métallique.

**Important : Ne pas utiliser de tampons à récurer métalliques, en laine d'acier ou tout autre nettoyant abrasif pour nettoyer n'importe quelle partie du gril. Utiliser seulement des tampons à récurer en nylon ou non métalliques.**

5. Vider le plateau d'égouttage et le nettoyer avec de l'eau tiède savonneuse; bien l'assécher à l'aide d'un essuie-tout.
6. Pour nettoyer le couvercle du gril, l'essuyer avec une éponge humide et tiède, et sécher avec un linge doux et sec.

**Important : Ne pas immerger le gril dans l'eau ou dans un autre liquide.**

7. Tout entretien autre que le nettoyage ci-dessus et requérant un démontage doit être effectué par un électricien qualifié.

**Mise en garde : S'assurer de tenir le couvercle du gril par la poignée pendant le nettoyage pour éviter tout risque de fermeture accidentelle et de blessure.**

### RANGEMENT

S'assurer que le gril est toujours propre et sec avant de le ranger.

## DÉPANNAGE

PROBLÈME	CAUSE POSSIBLE	SOLUTION
Le fini des plaques du gril porte des marques de couteau.	Des ustensiles en métal ont été utilisés.	Toujours utiliser des ustensiles résistants à la chaleur en plastique, en nylon ou en bois, pour éviter d'égratigner les surfaces antiadhésives des plaques du gril. Ne jamais utiliser de broches, de pinces, de fourchettes ou de couteaux métalliques.
Le témoin s'allume et s'éteint.	Les éléments chauffants suivent un cycle.	C'est normal. Le témoin s'allume au moment du branchement du gril et s'éteint une fois la température sélectionnée atteinte. Par contre, le témoin s'allumera et s'éteindra pour indiquer que la bonne température est maintenue.
Les marques de grillage sur les aliments sont très pâles.	Le gril n'a pas été préchauffé complètement avant l'utilisation.	Toujours préchauffer le gril 5 minutes avant d'y cuire des aliments.
Il y a des résidus d'aliments sur les plaques du gril.	Le gril n'est pas nettoyé correctement après l'utilisation.	Utiliser un tampon à récurer en nylon avec de l'eau chaude savonneuse pour nettoyer les plaques du gril. Ne pas utiliser de tampons à récurer en laine d'acier ou d'autres nettoyants abrasifs pour nettoyer le gril.
Les aliments sont secs et brûlés.	Les aliments sont trop cuits.	Comme la cuisson s'effectue des deux côtés, la cuisson sera plus rapide que dans une poêle ou une rôtissoire. Utiliser le TABLEAU DE CUISSON comme référence et vérifier la cuisson au temps indiqué le plus court.



PROBLÈME	CAUSE POSSIBLE	SOLUTION
Le gril ne se met pas en marche.	Le gril n'est pas branché.	S'assurer que l'appareil est branché à une prise de courant fonctionnelle.
La plaque du gril présente des marques blanches.	L'eau utilisée pour le nettoyage a laissé des marques sur les plaques du gril en séchant.	Essuyer la plaque du gril immédiatement après l'avoir nettoyée.

## NEED HELP?

For service, repair or any questions regarding your appliance, call the appropriate 800 number on cover of this book. Please **DO NOT** return the product to the place of purchase. Also, please **DO NOT** mail product back to manufacturer, nor bring it to a service center.

You may also want to consult the website listed on the cover of this manual.

## **Two-Year Limited Warranty (Applies only in the United States and Canada)**

### **What does it cover?**

- Any defect in material or workmanship provided; however, Applica's liability will not exceed the purchase price of product.

### **For how long?**

- Two years after the date of original purchase.

### **What will we do to help you?**

- Provide you with a reasonably similar replacement product that is either new or factory refurbished.

### **How do you get service?**

- Save your receipt as proof of date of sale.
- Check our on-line service site at [www.prodprotect.com/applica](http://www.prodprotect.com/applica), or call our toll-free number, 1-800-231-9786, for general warranty service.
- If you need parts or accessories, please call 1-800-738-0245.

### **What does your warranty not cover?**

- Damage from commercial use
- Damage from misuse, abuse or neglect
- Products that have been modified in any way
- Products used or serviced outside the country of purchase
- Glass parts and other accessory items that are packed with the unit
- Shipping and handling costs associated with the replacement of the unit
- Consequential or incidental damages (Please note, however, that some states do not allow the exclusion or limitation of consequential or incidental damages, so this limitation may not apply to you.)

### **How does state law relate to this warranty?**

- This warranty gives you specific legal rights, and you may also have other rights that vary from state to state or province to province.

## ¿NECESITA AYUDA?

Para servicio, reparaciones o preguntas relacionadas al producto, por favor llame gratis al número "800" que aparece en la cubierta de este manual. No devuelva el producto al establecimiento de compra. No envíe el producto por correo al fabricante ni lo lleve a un centro de servicio. También puede consultar el sitio web que aparece en la cubierta de este manual.

### **Dos años de garantía limitada**

**(Aplica solamente en Estados Unidos o Canadá)**

#### **¿Qué cubre la garantía?**

- La garantía cubre cualquier defecto de materiales o de mano de obra. Aplica no se responsabiliza por ningún costo que exceda el valor de compra del producto.

#### **¿Por cuánto tiempo es válida la garantía?**

- Por dos años a partir de la fecha original de compra.

#### **¿Qué clase de asistencia recibe el consumidor?**

- El consumidor recibe un producto de reemplazo nuevo o restaurado de fábrica, parecido al original.

#### **¿Cómo se obtiene el servicio necesario?**

- Conserve el recibo original como comprobante de la fecha de compra.
- Se puede visitar el sitio web de asistencia al consumidor [www.prodprotect.com/applica](http://www.prodprotect.com/applica), o se puede llamar gratis al número 1-800-231-9786, para obtener información relacionada al servicio de garantía.
- Si necesita piezas o accesorios, por favor llame gratis al 1-800-738-0245.

#### **¿Qué aspectos no cubre esta garantía?**

- Los daños al producto ocasionados por el uso comercial
- Los daños ocasionados por el mal uso, abuso o negligencia
- Los productos que han sido alterados de cualquier manera
- Los productos utilizados o reparados fuera del país original de compra
- Las piezas de vidrio y demás accesorios empacados con el aparato
- Los gastos de tramitación y embarque relacionados con el reemplazo del producto
- Los daños y perjuicios indirectos o incidentales (sin embargo, por favor observe que algunos estados no permiten la exclusión ni la limitación de los daños y perjuicios indirectos ni incidentales, de manera que esta restricción podría no aplicar a usted).

#### **¿Qué relación tiene la ley estatal con esta garantía?**

- Esta garantía le otorga derechos legales específicos y el consumidor podría tener otros derechos que varían de una región a otra.

## BESOIN D'AIDE?

Pour communiquer avec les services d'entretien ou de réparation, ou pour adresser toute question relative au produit, composer le numéro sans frais approprié indiqué sur la page couverture. Ne pas retourner le produit où il a été acheté. Ne pas poster le produit au fabricant ni le porter dans un centre de service. On peut également consulter le site web indiqué sur la page couverture.

### **Garantie limitée de deux ans**

**(Valable seulement aux États-Unis et au Canada)**

#### **Quelle est la couverture?**

- Tout défaut de main-d'oeuvre ou de matériau; toutefois, la responsabilité de la société Aplica se limite au prix d'achat du produit.

#### **Quelle est la durée?**

- Deux ans après l'achat original.

#### **Quelle aide offrons nous?**

- Remplacement par un produit raisonnablement semblable nouveau ou réusiné.

#### **Comment se prévaut-on du service?**

- Conserver son reçu de caisse comme preuve de la date d'achat.
- Visiter notre site web au [www.prodprotect.com/applica](http://www.prodprotect.com/applica), ou composer sans frais le 1 800 231-9786, pour obtenir des renseignements généraux relatifs à la garantie.
- On peut également communiquer avec le service des pièces et des accessoires au 1 800 738-0245.

#### **Qu'est-ce que la garantie ne couvre pas?**

- Des dommages dus à une utilisation commerciale.
- Des dommages causés par une mauvaise utilisation ou de la négligence.
- Des produits qui ont été modifiés.
- Des produits utilisés ou entretenus hors du pays où ils ont été achetés.
- Des pièces en verre et tout autre accessoire emballés avec le produit.
- Les frais de transport et de manutention reliés au remplacement du produit.
- Des dommages indirects (il faut toutefois prendre note que certains états ne permettent pas l'exclusion ni la limitation des dommages indirects).

#### **Quelles lois régissent la garantie?**

- Les modalités de la présente garantie donnent des droits légaux spécifiques. L'utilisateur peut également se prévaloir d'autres droits selon l'état ou la province qu'il habite.

Copyright © 2008 - 2009 Applica Consumer Products, Inc.

Made in People's Republic of China  
Printed in People's Republic of China

Fabricado en la República Popular de China  
Impreso en la República Popular de China

Fabriqué en République populaire de Chine  
Imprimé en République populaire de Chine



R12008/12-11-23E/S/F

Download from [Www.Somanuals.com](http://www.Somanuals.com). All Manuals Search And Download.

## Free Manuals Download Website

<http://myh66.com>

<http://usermanuals.us>

<http://www.somanuals.com>

<http://www.4manuals.cc>

<http://www.manual-lib.com>

<http://www.404manual.com>

<http://www.luxmanual.com>

<http://aubethermostatmanual.com>

Golf course search by state

<http://golfingnear.com>

Email search by domain

<http://emailbydomain.com>

Auto manuals search

<http://auto.somanuals.com>

TV manuals search

<http://tv.somanuals.com>