

GEORGE FOREMAN®

THE LEAN MEAN FAT REDUCING GRILLING MACHINE™

Please Read and Save this Use and Care Book

Veuillez lire et conserver ce guide d'entretien et d'utilisation



? USA/Canada 1-800-231-9786
www.prodprotect.com/applica



Model
Modèle

GRP100CAN

Accessories/Parts (USA/Canada)
Accessoires/Pièces (É.-U./Canada)
1-800-738-0245

IMPORTANT SAFEGUARDS

When using electrical appliances, basic safety precautions should always be followed, including the following:

- Read all instructions.
- Do not touch hot surfaces. Use handles or knobs.
- To protect against electrical shock do not immerse cord, plugs or appliance (except removable plates) in water or other liquid.
- Close supervision is necessary when any appliance is used by or near children.
- Unplug from outlet when not in use and before cleaning. Allow to cool before putting on or taking off parts, and before cleaning the appliance.
- Do not operate any appliance with a damaged cord or plug, or after the appliance malfunctions or has been damaged in any manner. Return appliance to the nearest authorized service facility for examination, repair or adjustment. Or, call the appropriate toll-free number on the cover of this manual.
- The use of accessory attachments not recommended by the appliance manufacturer may cause injuries.
- Do not use outdoors.
- Do not let cord hang over edge of table or counter, or touch hot surfaces.
- Do not place on or near a hot gas or electric burner, or in a heated oven.
- Extreme caution must be used when moving an appliance containing hot oil or other hot liquids.
- Be sure that removable plates and assembled and fastened properly.
- To disconnect, remove plug from wall outlet.
- Do not use this appliance for other than intended use.

SAVE THESE INSTRUCTIONS.

This product is for household use only.

GROUNDING PLUG

As a safety feature, this product is equipped with a grounded plug, which will only fit into a three-prong outlet. Do not attempt to defeat this safety feature. Improper connection of the grounding conductor may result in the risk of electric shock. Consult a qualified electrician if you are in doubt as to whether the outlet is properly grounded.

TAMPER-RESISTANT SCREW

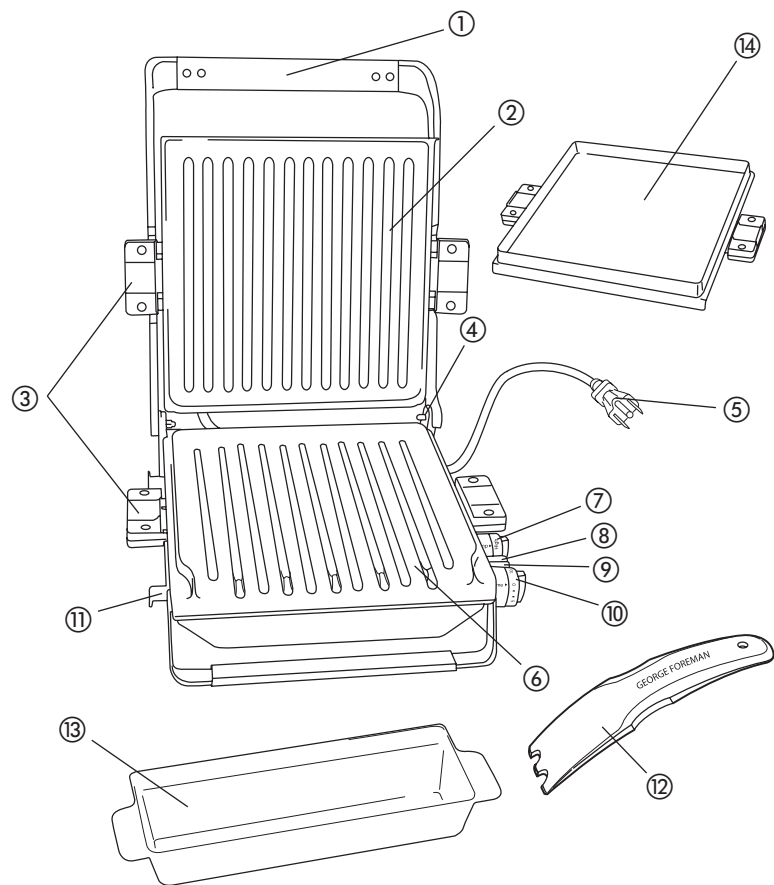
Warning: This appliance is equipped with a tamper-resistant screw to prevent removal of the outer cover. To reduce the risk of fire or electric shock, do not attempt to remove the outer cover. There are no user-serviceable parts inside. Repair should be done only by authorized service personnel.

ELECTRICAL CORD

- a) A short power-supply cord (or detachable power-supply cord) is to be provided to reduce the risk resulting from becoming entangled in or tripping over a longer cord.
- b) Longer detachable power-supply cords or extension cords are available and may be used if care is exercised in their use.
- c) If a long detachable power-supply cord or extension cord is used,
 - 1) The marked electrical rating of the detachable power-supply cord or extension cord should be at least as great as the electrical rating of the appliance,
 - 2) If the appliance is of the grounded type, the extension cord should be a grounding-type 3-wire cord, and
 - 3) The longer cord should be arranged so that it will not drape over the countertop or tabletop where it can be pulled on by children or tripped over.

Note: If the power supply cord is damaged, it should be replaced by qualified personnel. In Latin America, by an authorized service center.

Product may vary slightly from what is illustrated.



- | | |
|---|---------------------------------|
| 1. Extended metal loop handle | 8. Ready indicator light |
| † 2. Grill plate (upper) (Part # 22881) | 9. Power indicator light |
| 3. Grill plate release handles (both sides) | 10. 30-minute timer |
| 4. Adjustable grill angle bar (in back) | 11. Cord wrap |
| 5. Power cord | † 12. Spatula (Part # 22545) |
| † 6. Grill plate (lower) (Part # 22880) | † 13. Drip tray (Part # 22883) |
| 7. Variable temperature control | † 14. Bake plate (Part # 22882) |

Note: † indicates consumer replaceable/removable parts

Note: Always use the upper grill plate with bake plate.

Position A. Adjustable grill angle bar up (locked) for sloped cooking.



Position B. Adjustable grill angle bar down (unlocked) for level cooking.



How to use:

This product is for household use only.

GETTING STARTED

- Remove all packing material and any stickers.
- Remove and save literature.
- Wash removable parts as instructed in CARE AND CLEANING section of this manual.
- Wipe grill plates and griddle plate with a damp cloth or sponge to remove any dust. Wipe dry with a soft cloth or paper towels.
- Select location where unit is to be used, leaving enough space between back of unit and wall to allow heat to flow without damage to cabinets and walls.

ATTACHING THE GRILL PLATES

Important: This appliance should always be used with 2 grill plates securely attached.

Caution: Attach all grill plates when the appliance is cool.

Basic Grill Plates

1. Securely attach the top and bottom grill plates of the appliance using the release handles on each side of the plates.

Note: When using these grill plates, use the bar at the rear of the grill to lift the back of the bottom grill plate to have the drippings run into the drip tray (see plate position A on page 4).

Important: This position should only be used when grilling.

Important: When attaching the grill plates, be sure they are securely attached using the release handles on each side of the plates.

Attaching the bake pan

Important: When using this plate, make sure the appliance is in the completely horizontal position (see plate position B on page 4).

1. If using the baking pan, securely attach the top grilling plate and baking pan using the release handles on each side of the plates.

DRIP TRAY

Place the drip tray under the front sloped section of the bottom plate on the grill.

PREHEATING THE GRILL

1. Close cover on grill.
2. Unwind cord and plug into standard electrical outlet.
3. Set variable temperature control dial to desired grill setting to begin preheating. See SUGGESTED GRILLING CHART for recommended temperature settings.

4. Set timer between 7 – 10 minutes to preheat at desired temperature.

Note: When setting timer, always turn the dial past 10 and then turn back or forward to desired setting.

4. The power light (red) comes on to indicate that the elements are heating. When the appliance is preheated the ready light (green) will turn on.

Note: When set temperature is reach, both the red power light and green ready light will illuminate. When the timer elapses to zero (0), both lights will go out.

GRILLING

1. Using a pot holder, carefully open the preheated grill.
2. Before first use, lightly oil grill plates, if desired.

Note: Aerosol cooking spray should not be used on nonstick surface. Chemicals that allow spray to come out of can build up on surface of grill plates and reduce their efficiency.

3. Carefully place foods to be cooked on lower grilling plate. Close lid.

Note: Do not overload grill.

4. Once food is placed on grill, set timer to desired cooking time.

Note: Use suggested cooking times found in the GRILLING CHART on page 7.

Important: Do not leave the appliance unattended during use.

5. After selected time, the food should be done.

6. Using a pot holder, carefully open the grill cover.

7. Remove cooked food using plastic spatula provided.

Note: Always use heatproof plastic, nylon or wood utensils to avoid scratching nonstick surface of grill plates. Never use metal skewers, tongs, forks or knives.

8. When finished cooking, turn the dial to the LOW setting and unplug the appliance.

Important: Heat continues to be ON until grill is unplugged.

Warning: Do not remove grill plates while grill is still hot! Allow grill to cool completely before removing or changing plates.

9. Allow drip tray to cool before removing it from under grill. Wash and dry drip tray after each use.

Note: Be sure the liquid in drip tray has cooled before attempting to move it.

SUGGESTED GRILLING CHART

The following are meant to be used as a guideline only. The times reflect a full grill of food. Cooking time will depend upon thickness and cut being used. Use a cooking thermometer as a test for doneness. If the food needs longer cooking, check periodically to avoid overcooking the food.

FOOD	SETTING	COOKING TIME	NOTES
MEAT			
Flank steak	Mid-High	6 – 8 minutes	¾-inch (2 cm) thick
Hamburger (4 oz / 113 g)	Mid-High	4 – 6 minutes	
Beef kabobs	Mid-High	5 – 7 minutes	1-inch (2.5 cm) thick
NY strip steak	High	6 – 8 minutes	
Beef tenderloin	High	4 – 6 minutes	
Lamb loin chops	Med-High	5 – 6 minutes	
Pork loin chops	High	7 – 9 minutes	¾-inch (2 cm) thick
Bacon	High	7 – 8 minutes	Grill plate
Sausage	Med-High	5 – 6 minutes	link or patty
Hot dogs	Med-High	4 – 6 minutes	
POULTRY			
Chicken breast	Med-High	7 – 9 minutes	boneless and skinless
Turkey tenderloin	Med-High	12 – 15 minutes	boneless and skinless
FISH			
Fish steak	Med-High	7 – 10 minutes	½" – 1" (1.25 cm – 2.5 cm) thick
Fish fillet	Med-High	3 – 5 minutes	
Shrimp	High	3 – 4 minutes	
Trout	Med-High	3 – 5 minutes	

Please note: To be sure your food is fully cooked the USDA recommends the following guidelines. Using a meat thermometer cook test for doneness by inserting the meat thermometer into the center of the food being cooked and make sure the thermometer is not touching the bone.

FOOD TO BE COOKED	MEDIUM	WELL DONE OR FULLY COOKED
Chicken Breast		170°F 77°C
Chicken Thigh		180°F 82°C
Beef / Lamb / Veal	160°F 71°C	170°F 77°C
Pork		160°F 71°C
Reheated cooked meats and poultry		165°F 74°C

GRILLING FRUITS AND VEGETABLES

The following are meant to be used as a guideline only. The times reflect a full grill of food. Cooking time will depend upon thickness and cut being used. Use a cooking thermometer or remove one piece of food from the grill and test with fork for doneness. If the food needs longer cooking, check periodically to avoid overcooking the food.

Note: It is easy to overcook food because it is cooking from both sides.

FOOD	SETTING	COOKING TIME	NOTES
Asparagus spears	Med-High	4 – 5 minutes	
Mushrooms	Med-High	4 – 5 minutes	thickly sliced
Onion	High	2 – 3 minutes	½" (1.25 cm) slices
Peppers	High	4 – 5 minutes	½" (1.25 cm) rings
Pineapple	Med-High	2 – 3 minutes	½" (1.25 cm) slices
Potatoes	High	7 – 8 minutes	½" (1.25 cm) slices
Zucchini	Med-High	7 – 9 minutes	½" (1.25 cm) slices

BREADS, BREAKFAST AND SANDWICHES

The following are meant to be used as a guideline only. The times reflect a full grill of food. Cooking time will depend upon thickness. If food needs longer cooking, check periodically to avoid overcooking.

Note: It is easy to overcook food because it is cooking from both sides.

FOOD	SETTING	COOKING TIME	NOTES
BREADS			
Cornbread	High	7 – 8 minutes	bake plate
Biscuits	High	9 – 10 minutes	bake plate
Cookies	High	9 – 11 minutes	bake plate
BREAKFAST			
Eggs	High	2 – 3 minutes	bake plate, lid closed
Pancakes	High	5 – 6 minutes	bake plate
SANDWICHES			
Grilled cheese	High	3 – 4 minutes	Cook until cheese is melted and sandwich is golden.
Grilled cheese with tomato tuna, ham or bacon	High	3 – 4 minutes	Cook until cheese is melted and sandwich is golden.

GRILLING TIPS:

- To prevent heat loss and for even cooking, do not open the Lid frequently.
- Do not overfill grill; it will hold 2 to 6 servings comfortably.
- When first cooking a particular food, check for doneness several minutes before suggested time; if necessary adjust time.
- When cooking several pieces of food, try to have them similar in size and thickness.
- Remember that since grill is cooking from both sides cooking time will typically be shorter than expected. Watch carefully to avoid overcooking.
- For added flavor, add dry seasonings before grilling or marinate foods before cooking.

Important: Use only silicone, plastic and wooden utensils when cooking on the grill. Silicone utensils are especially good because they do not discolor or melt with the high temperature.

CARE AND CLEANING

CLEANING

Caution: To avoid accidental burns, allow grill to cool thoroughly before cleaning.

1. Before cleaning, unplug grill from wall outlet and allow to cool.

Important: Heat continues to be ON until grill is unplugged.

2. Place drip tray under front of grill. Use plastic spatula to scrape off any excess fat and food particles left on the grill plates; runoff will drip into the drip tray.
3. Use a warm, soapy sponge to wipe plates clean, then rinse sponge and wipe again to remove any soapy residue. Dry thoroughly with an absorbent paper towel.
4. Empty drip tray and wash in warm, soapy water; dry thoroughly with a paper towel.
5. To remove stubborn buildup, use a nylon or nonmetallic scrubbing pad to clean the grill plates.

Important: Do not use metallic scrubbing pads, steel wool or any abrasive cleaners to clean any part of your grill; use only nylon or nonmetallic scrubbing pads.

6. To clean the grill cover, wipe with a warm, wet sponge and dry with a soft, dry cloth.

Important: Do not immerse body of grill in water or any other liquid.

7. Any servicing requiring disassembly other than the above cleaning must be preformed by a qualified electrician.

Caution: Make sure to hold grill cover by the handle while cleaning to prevent accidental closing and injury.

STORAGE

- Always make sure grill is clean and dry before storing.
- Wind the cord around the cord storage area.

TROUBLESHOOTING

PROBLEM	POSSIBLE CAUSE	SOLUTION
Finish on grill plates has cut marks.	Metal utensils have been used.	Always use heat-proof plastic, nylon or wood utensils to avoid scratching nonstick surface of grill plates. Never use metal skewers, tongs, forks or knives.
Grill marks on food are very light.	Grill was not fully preheated before use.	Always preheat grill at least 5 minutes before cooking any foods.
There is food buildup on grill plates.	Grill not properly cleaned after use.	Use nylon scrubbing pad and hot, soapy water to clean grill plates. Do not use steel wool scrubbing pads or abrasive cleaners to clean grill.
Food is dry and burnt.	Food is overcooked.	Because grill is cooking from both sides, food is cooked much faster than in a skillet or under a broiler. Use cooking chart as a guide and check food at lowest time stated on chart.
Grill does not turn on.	Grill is not plugged in.	Check to be sure appliance is plugged into working outlet.

IMPORTANTES CONSIGNES DE SÉCURITÉ

Lorsqu'on utilise des appareils électriques, il faut toujours respecter certaines règles de sécurité fondamentales, notamment les suivantes :

- Lire toutes les directives.
- Ne pas toucher aux surfaces chaudes; utiliser les poignées et les boutons.
- Afin d'éviter les risques de choc électrique, ne pas immerger le cordon, la fiche ou l'appareil (sauf les plaques amovibles) dans l'eau ou tout autre liquide.
- Exercer une étroite surveillance lorsque l'appareil est utilisé par un enfant ou près d'un enfant.
- Débrancher l'appareil lorsqu'il ne sert pas ou avant de le nettoyer. Laisser l'appareil refroidir avant d'y placer ou d'en retirer des composantes, et de le nettoyer.
- Do not operate any appliance with a damaged cord or plug, or after the appliance malfunctions or has been damaged in any manner. Return appliance to the nearest authorized service facility for examination, repair or adjustment. Or, call the appropriate toll-free number on the cover of this manual.
- Ne pas utiliser un appareil dont la fiche ou le cordon est abîmé, qui fonctionne mal ou qui a été endommagé de quelque façon que ce soit. Pour un examen, une réparation ou un réglage, rapporter l'appareil à un centre de service autorisé. Ou composer le numéro sans frais inscrit sur la page couverture du présent guide.
- L'utilisation d'accessoires non recommandés par le fabricant de l'appareil peut occasionner des blessures.
- Ne pas utiliser l'appareil à l'extérieur.
- Ne pas laisser pendre le cordon sur le bord d'une table ou d'un comptoir ni le laisser entrer en contact avec une surface chaude.
- Ne pas placer l'appareil sur le dessus ou près d'un élément chauffant électrique ou à gaz ni dans un four chaud.
- Faire preuve de grande prudence pour déplacer un appareil contenant de l'huile brûlante ou autre liquide chaud.

- ❑ S'assurer que les plaques amovibles sont correctement montées et fixées.
- ❑ Pour débrancher l'appareil, retirer la fiche de la prise.
- ❑ Utiliser l'appareil uniquement aux fins pour lesquelles il a été conçu.

CONSERVER CES INSTRUCTIONS.

L'appareil est conçu pour une utilisation domestique seulement.

FICHE MISE À LA TERRE

Par mesure de sécurité, le produit comporte une fiche mise à la terre qui n'entre que dans une prise à trois trous. Il ne faut pas neutraliser ce dispositif de sécurité. La mauvaise connexion du conducteur de terre présente des risques de secousses électriques. Communiquer avec un électricien certifié lorsqu'on se demande si la prise est bien mise à la terre.

VIS INDESSERRABLE

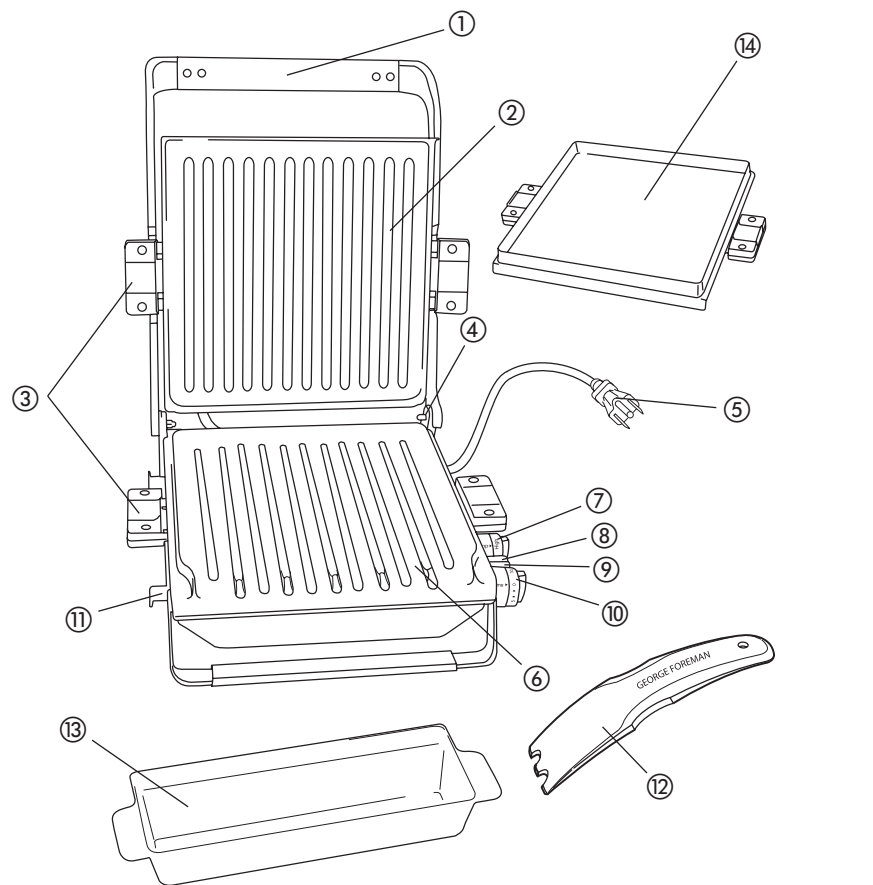
Avertissement : L'appareil est doté d'une vis indesserrable empêchant l'enlèvement du couvercle extérieur. Pour réduire les risques d'incendie ou de secousses électriques, ne pas tenter de retirer le couvercle extérieur. L'utilisateur ne peut pas remplacer les pièces de l'appareil. En confier la réparation seulement au personnel des centres de service autorisés.

CORDON

- a) Le cordon d'alimentation de l'appareil est court (ou amovible) afin de minimiser les risques d'enchevêtrement ou de trébuchement.
- b) Il existe des cordons d'alimentation amovibles ou de rallonge plus longs et il faut s'en servir avec prudence.
- c) Lorsqu'on utilise un cordon d'alimentation amovible ou de rallonge plus long, il faut s'assurer que :
 - 1) La tension nominale du cordon d'alimentation amovible ou de rallonge soit au moins égale à celle de l'appareil, et que;
 - 2) Lorsque l'appareil est de type mis à la terre, il faut utiliser un cordon de rallonge mis à la terre à trois broches, et;
 - 3) Le cordon plus long soit placé de sorte qu'il ne soit pas étalé sur le comptoir ou la table d'où des enfants pourraient le tirer, ni placé de manière à provoquer un trébuchement.

Note: Lorsque le cordon d'alimentation est endommagé, il faut le faire remplacer par du personnel qualifié ou, en Amérique latine, par le personnel d'un centre de service autorisé.

Le produit peut différer légèrement de celui illustré.



- | | |
|---|--|
| 1. Poignée métallique en boucle allongée | 8. Témoin de température |
| † 2. Plaque supérieure du grill (pièce n° 22881) | 9. Témoin de fonctionnement |
| 3. Poignées inférieures de dégagement des plaques du grill (sur les deux côtés) | 10. Minuterie de 30 minutes |
| 4. Barre à angle réglable du grill (à l'arrière) | 11. Range-cordon |
| 5. Cordon d'alimentation | † 12. Spatule (pièce n° 22545) |
| † 6. Plaque inférieure du grill (pièce n° 22880) | † 13. Plateau d'égouttage (pièce n° 22883) |
| 7. Cadran de réglage de la température | † 14. Plaque de cuisson (pièce n° 22882) |

Remarque: † indique que la pièce est remplaçable par l'utilisateur/amovible

Nota: Toujours utiliser la plaque supérieure du grill de pair avec la plaque de cuisson.

Position A. Barre à angle réglable du gril en haut (verrouillée) pour cuisson en position inclinée.



Position B. Barre à angle réglable du gril en bas (non verrouillée) pour cuisson à plat.



Utilisation :

Cet appareil est conçu pour un usage domestique seulement.

POUR COMMENCER

- Retirer tous les matériaux d'emballage, les étiquettes et les autocollants.
- Conserver la documentation.
- Laver les pièces amovibles comme indiqué à la section ENTRETIEN ET NETTOYAGE du présent guide d'utilisation.
- Passer un linge ou une éponge humide sur les plaques du gril afin d'éliminer toute poussière. Sécher à l'aide d'un linge doux ou d'un essuie tout.
- Choisir l'emplacement de l'appareil en laissant suffisamment d'espace entre l'arrière de l'appareil et le mur pour que la chaleur puisse bien circuler et ne pas endommager les armoires et les murs.

FIXATION DES PLAQUES DU GRIL

Important : Cet appareil doit toujours être utilisé avec deux plaques de gril en s'assurant que celles-ci sont bien fixées en place.

Mise en garde : Fixer les plaques du gril lorsque l'appareil est refroidi.

Plaques de base du gril

1. Fixer solidement les plaques supérieure et inférieure de l'appareil, à l'aide des poignées de dégagement situées de chaque côté des plaques.

Remarque : Lors de l'utilisation de ces plaques de gril, utiliser la barre située à l'arrière de l'appareil pour soulever l'arrière de la plaque inférieure du gril de manière à ce que les gouttes s'écoulent dans le plateau d'égouttage (voir plaque en position A à la page 15).

Important : Procéder de cette façon uniquement pour griller des aliments.

Important : S'assurer de bien fixer les plaques du gril à l'aide des poignées de dégagement situées de chaque côté des plaques.

FIXATION DE LA PLAQUE DE CUISSON

Important : Lors de l'utilisation de cette plaque, s'assurer que l'appareil est en position parfaitement horizontale (voir plaque en position B à la page 15).

1. Lors de l'utilisation de la plaque de cuisson, s'assurer de bien fixer la plaque du gril supérieure et la plaque de cuisson à l'aide des poignées de dégagement situées de chaque côté des plaques.

PLATEAU D'ÉGOUTTAGE

Placer le plateau d'égouttage sous la partie inclinée avant de la plaque inférieure du gril.

PRÉCHAUFFAGE DU GRIL

1. Fermer le couvercle du gril.

- Dérouler le cordon d'alimentation et le brancher dans une prise de courant standard.
- Pour démarrer le préchauffage, mettre le cadran de réglage de la température à la position désirée. Consulter le TABLEAU DE CUISSON SUGGÉRÉE pour connaître les réglages de température recommandés.

4. Régler la minuterie entre 7 et 10 minutes afin de préchauffer le gril à la température désirée.

Remarque : Pour régler la minuterie, toujours tourner le cadran pour que l'indicateur dépasse le chiffre 10, puis le tourner vers la gauche ou la droite pour atteindre le temps désiré.

4. Le témoin de fonctionnement (rouge) s'allume pour indiquer que les éléments chauffent. Lorsque l'appareil est préchauffé, le témoin de température (vert) s'allume.

Remarque : Lorsque la température désirée est atteinte, la lumière de fonctionnement rouge et la lumière de température verte éclairent davantage. Lorsque le temps de la minuterie est écoulé, les deux témoins s'éteignent.

CUISSON SUR LE GRIL

- Ouvrir le gril préchauffé avec précaution à l'aide d'une poignée pour le four.
- Huiler légèrement les plaques du gril avant la première utilisation, au besoin.

Remarque : Éviter l'emploi d'antiadhésif en aérosol sur les surfaces antiadhésives, car les produits chimiques permettant la vaporisation peuvent s'accumuler sur la surface des plaques du gril et réduire leur efficacité.

3. Placer délicatement les aliments à cuire sur la plaque inférieure du gril, puis fermer le couvercle.

Remarque : Ne pas surcharger la plaque du gril.

4. Une fois les aliments déposés sur la plaque du gril, régler la minuterie selon le temps de cuisson désiré.

Remarque : Utiliser les temps de cuisson suggérés dans le TABLEAU DE CUISSON à la page 18.

Important : Ne pas laisser l'appareil sans surveillance pendant son utilisation.

- À la fin du temps réglé, les aliments devraient être cuits.
- Ouvrir le couvercle avec précaution à l'aide d'une poignée pour le four.
- Retirer les aliments cuits à l'aide de la spatule en plastique fournie.

Remarque : Toujours utiliser des ustensiles résistants à la chaleur en plastique, en nylon ou en bois pour éviter d'égratigner la surface antiadhésive des plaques. Ne jamais utiliser de broches, de pinces, de fourchettes ou de couteaux métalliques.

8. Lorsque la cuisson est terminée, mettre le sélecteur de température en position LOW (faible), puis débrancher l'appareil.

Important : L'appareil continue de CHAUFFER jusqu'à ce qu'on le débranche.

Mise en garde : Ne pas retirer les plaques du gril lorsque l'appareil est chaud. Laisser les plaques du gril refroidir complètement avant de les retirer ou de les changer.

9. Laisser le plateau d'égouttage refroidir avant de le retirer de sous le gril. Laver et sécher le plateau d'égouttage après chaque utilisation.

Remarque : S'assurer que le liquide amassé dans le plateau d'égouttage a refroidi avant de le déplacer.

TABLEAU DE CUISSON SUGGÉRÉE

Les temps de cuisson suivants sont fournis uniquement à titre indicatif, pour une cuisson complète. Ils varieront selon la coupe ou l'épaisseur de l'aliment à cuire. Pour s'assurer que l'aliment est bien cuit, utiliser un thermomètre à cuisson. Si l'aliment doit cuire plus longtemps, le replacer sur le gril et le vérifier régulièrement pour éviter qu'il ne soit trop cuit.

ALIMENT	RÉGLAGE	TEMPS DE CUISSON	COMMENTAIRES
VIANDE			
Bavette de flanchet	Moyen-élevé	De 6 à 8 minutes	Épaisseur de ¾ po (2 cm)
Galette de bœuf de 4 oz / 113 g	Moyen-élevé	De 4 à 6 minutes	
Kebabs de bœuf	Moyen-élevé	De 5 à 7 minutes	Épaisseur de 1 po (2,5 cm)
Coquille d'ailou	Élevé	De 6 à 8 minutes	
Filet mignon	Élevé	De 4 à 6 minutes	
Côtelette de filet d'agneau	Moyen-élevé	De 5 à 6 minutes	
Côtelette de filet de porc	Élevé	De 7 à 9 minutes	Épaisseur de ¾ po (2 cm)
Bacon	Élevé	De 7 à 8 minutes	Plaque du gril
Saucisse	Moyen-élevé	De 5 à 6 minutes	En chapelet ou en boulette
Hot dogs	Moyen-élevé	De 4 à 6 minutes	

VOLAILLE			
Poitrine de poulet	Moyen-élevé	De 7 à 9 minutes	Désossée, sans peau
Filet de dinde	Moyen-élevé	De 12 à 15 minutes	Désossé, sans peau
POISSON			
Darne de poisson	Moyen-élevé	De 7 à 10 minutes	Épaisseur de ½ po à 1 po (1,25 cm à 2,5 cm)
Filet de poisson	Moyen-élevé	De 3 à 5 minutes	
Crevette	Élevé	De 3 à 4 minutes	
Truite	Moyen-élevé	De 3 à 5 minutes	

Remarque : Pour assurer la cuisson complète des aliments, le Department of Agriculture des États Unis recommande que la viande et la volaille soient cuites aux températures internes suivantes. Pour s'assurer que la viande est bien cuite, utiliser un thermomètre à cuisson et l'insérer au centre du morceau de viande, en veillant à ce qu'il ne touche pas à l'os.

ALIMENT À CUIRE	BIEN CUIT	BIEN CUIT OU COMPLÈTEMENT CUIT
Poitrine de poulet		170 °F ou 77 °C
Cuisse de poulet		180 °F ou 82 °C
Bœuf / agneau / veau	160 °F ou 71 °C	170 °F ou 77 °C
Porc		160 °F ou 71 °C
Viandes et volailles cuites, réchauffées		165 °F ou 74 °C

GRILLAGE DE FRUITS ET DE LÉGUMES

Les temps de cuisson suivants sont fournis uniquement à titre indicatif, pour une cuisson complète. Ils varieront selon l'épaisseur de l'aliment à cuire et le type de coupe. Pour s'assurer que l'aliment est bien cuit, utiliser un thermomètre à cuisson ou retirer un morceau du gril et vérifier sa cuisson à l'aide d'une fourchette. Si l'aliment doit cuire plus longtemps, le vérifier régulièrement pour éviter de trop le cuire.

Remarque : Il est facile de trop cuire les aliments, car la cuisson s'effectue des deux côtés.

ALIMENT	RÉGLAGE	TEMPS DE CUISSON	REMARQUES
Pointes d'asperge	Moyen-élevé	De 4 à 5 minutes	
Champignons	Moyen-élevé	De 4 à 5 minutes	Tranches épaisses
Oignon	Élevé	De 2 à 3 minutes	Tranches de ½ po (1,25 cm)
Poivrons	Élevé	De 4 à 5 minutes	Rondelles de ½ po (1,25 cm)
Ananas	Moyen-élevé	De 2 à 3 minutes	Tranches de ½ po (1,25 cm)
Pommes de terre	Élevé	De 7 à 8 minutes	Tranches de ½ po (1,25 cm)
Courgettes	Moyen-élevé	De 7 à 9 minutes	Tranches de ½ po (1,25 cm)

PAINS, DÉJEUNER ET SANDWICH

Les temps de cuisson suivants sont fournis uniquement à titre indicatif, pour une cuisson complète. Ils varieront selon l'épaisseur de l'aliment à cuire. Si l'aliment doit cuire plus longtemps, le vérifier régulièrement pour éviter de trop le cuire.

Remarque : Il est facile de trop cuire les aliments, car la cuisson s'effectue des deux côtés.

ALIMENT	RÉGLAGE	TEMPS DE CUISSON	REMARQUES
PAINS			
Pain de maïs	Élevé	De 7 à 8 minutes	Plaque de cuisson
Biscotins	Élevé	De 9 à 10 minutes	Plaque de cuisson
Biscuits	Élevé	De 9 à 11 minutes	Plaque de cuisson

DÉJEUNER			
Oeufs	Élevé	De 2 à 3 minutes	Plaque de cuisson, couvercle rabattu
Crêpes	Élevé	De 5 à 6 minutes	Plaque de cuisson
SANDWICHES			
Sandwich grillé au fromage	Élevé	De 3 à 4 minutes	Cuire jusqu'à ce que le fromage soit fondu et que le sandwich soit doré.
Sandwich grillé au fromage avec tomates et thon, jambon ou bacon	Élevé	De 3 à 4 minutes	Cuire jusqu'à ce que le fromage soit fondu et que le sandwich soit doré.

CONSEILS POUR LE GRILLAGE :

- Pour éviter la perte de chaleur et favoriser une cuisson uniforme, éviter d'ouvrir le couvercle fréquemment.
- Ne pas surcharger le gril; il peut facilement accueillir de 2 à 6 portions.
- Lors de la cuisson d'un aliment pour la première fois, vérifier l'état de la cuisson plusieurs minutes avant la fin du temps de cuisson suggéré; modifier le temps de cuisson au besoin.
- Pour la cuisson de plusieurs morceaux d'aliments à la fois, favoriser des morceaux d'une taille et d'une épaisseur similaires.
- Comme la cuisson s'effectue des deux côtés, ne pas oublier que le temps de cuisson sera normalement plus court que prévu. Surveiller de près pour éviter de trop cuire.
- Pour rehausser le goût, ajouter des épices sèches avant le grillage ou mariner les aliments avant de les cuire.

Important : N'utiliser que des ustensiles en silicone, en plastique ou en bois lors de la cuisson d'aliments sur le gril. Les ustensiles en silicone sont excellents, car ils ne perdent pas leur couleur et ne fondent au contact d'objets dont la température est élevée.

Entretien et nettoyage

NETTOYAGE

Mise en garde : Pour éviter les brûlures accidentelles, laisser refroidir le gril complètement avant de le nettoyer.

1. Avant de nettoyer le gril, le débrancher de la prise de courant et le laisser refroidir.

Important : L'appareil continue de CHAUFFER jusqu'à ce qu'on le débranche.

2. Placer le plateau d'égouttage sous l'avant de l'appareil. À l'aide de la spatule en plastique, gratter toute particule de graisse ou d'aliments qui restent. L'excédent s'écoulera dans le plateau d'égouttage.
3. Utiliser une éponge tiède et savonneuse pour nettoyer les plaques, puis rincer l'éponge et essuyer à nouveau pour éliminer tout résidu de savon. Sécher complètement à l'aide d'un essuie tout absorbant.
4. Utiliser une éponge tiède et savonneuse pour nettoyer les plaques, puis rincer l'éponge et essuyer à nouveau pour éliminer tout résidu de savon. Sécher complètement à l'aide d'un essuie tout absorbant.
5. Pour nettoyer les résidus tenaces sur les plaques du gril, utiliser un tampon à récurer en nylon ou non métallique.

Important : Ne pas utiliser de tampons à récurer métalliques, en laine d'acier ou tout autre nettoyeur abrasif pour nettoyer n'importe quelle partie du gril. Utiliser seulement des tampons à récurer en nylon ou non métalliques.

6. Pour nettoyer le couvercle du gril, l'essuyer avec une éponge humide et tiède, et sécher avec un linge doux et sec.

Important : Ne pas immerger l'appareil dans l'eau ou dans un autre liquide.

7. Tout entretien, autre que le nettoyage ci-dessus, requérant un démontage, doit être effectué par un électricien qualifié.

Mise en garde : S'assurer de maintenir le couvercle du gril par la poignée pendant le nettoyage pour éviter tout risque de fermeture accidentelle et de blessure.

RANGEMENT

- Toujours s'assurer que le gril est propre et sec avant de le ranger.
- Enrouler le cordon autour du range-cordon.

DÉPANNAGE

PROBLÈME	CAUSE POSSIBLE	SOLUTION
Le fini des plaques porte des égratignures.	Des ustensiles de métal ont été utilisés.	Toujours utiliser des ustensiles en plastique, en nylon ou en bois, résistants à la chaleur, pour éviter d'égratigner les surfaces antiadhésives des plaques du gril. Ne jamais utiliser de broches, de pinces, de fourchettes ou de couteaux métalliques.
Les marques de grillage sur les aliments sont très pâles.	Le gril n'a pas été suffisamment préchauffé avant l'utilisation.	Toujours préchauffer le gril 5 minutes avant de cuire des aliments.
Il y a des résidus d'aliments sur les plaques du gril.	Le gril n'a pas été nettoyé correctement après utilisation.	Utiliser un tampon à récurer en nylon avec de l'eau chaude savonneuse pour nettoyer les plaques du gril. Ne pas utiliser de tampons à récurer en laine d'acier ou d'autres nettoyants abrasifs pour nettoyer le gril.
Les aliments sont secs et brûlés.	Les aliments sont trop cuits.	Comme la cuisson s'effectue des deux côtés, elle sera plus rapide que dans une poêle ou sous le gril du four. Utiliser le tableau de cuisson comme référence et vérifier la cuisson au temps indiqué le plus court.
Le gril ne se met pas en marche.	Le gril n'est pas branché.	S'assurer que l'appareil est branché à une prise de courant fonctionnelle.

NOTES

NEED HELP?

For service, repair or any questions regarding your appliance, call the appropriate 800 number on cover of this book. Please **DO NOT** return the product to the place of purchase. Also, please **DO NOT** mail product back to manufacturer, nor bring it to a service center. You may also want to consult the website listed on the cover of this manual.

Two-Year Limited Warranty (Applies only in the United States and Canada)

What does it cover?

- Any defect in material or workmanship provided; however, Applica's liability will not exceed the purchase price of product.

For how long?

- Two years after the date of original purchase.

What will we do to help you?

- Provide you with a reasonably similar replacement product that is either new or factory refurbished.

How do you get service?

- Save your receipt as proof of date of sale.
- Check our on-line service site at www.prodprotect.com/applica, or call our toll-free number, 1-800-231-9786, for general warranty service.
- If you need parts or accessories, please call 1-800-738-0245.

What does your warranty not cover?

- Damage from commercial use
- Damage from misuse, abuse or neglect
- Products that have been modified in any way
- Products used or serviced outside the country of purchase
- Glass parts and other accessory items that are packed with the unit
- Shipping and handling costs associated with the replacement of the unit
- Consequential or incidental damages (Please note, however, that some states do not allow the exclusion or limitation of consequential or incidental damages, so this limitation may not apply to you.)

How does state law relate to this warranty?

- This warranty gives you specific legal rights, and you may also have other rights that vary from state to state or province to province.

BESOIN D'AIDE?

Pour communiquer avec les services d'entretien ou de réparation, ou pour adresser toute question relative au produit, composer le numéro sans frais approprié indiqué sur la page couverture. **Ne pas** retourner le produit où il a été acheté. **Ne pas** poster le produit au fabricant ni le porter dans un centre de service. On peut également consulter le site web indiqué sur la page couverture.

Garantie limitée de Deux ans (Valable seulement aux États-Unis et au Canada)

Quelle est la couverture?

- Tout défaut de main-d'oeuvre ou de matériau; toutefois, la responsabilité de la société Applica se limite au prix d'achat du produit.

Quelle est la durée?

- Deux ans après l'achat original.

Quelle aide offrons nous?

- Remplacement par un produit raisonnablement semblable nouveau ou réusiné.

Comment se prévaut-on du service?

- Conserver son reçu de caisse comme preuve de la date d'achat.
- Visiter notre site web au www.prodprotect.com/applica, ou composer sans frais le 1 800 231-9786, pour obtenir des renseignements généraux relatifs à la garantie.
- On peut également communiquer avec le service des pièces et des accessoires au 1 800 738-0245.

Qu'est-ce que la garantie ne couvre pas?

- Des dommages dus à une utilisation commerciale.
- Des dommages causés par une mauvaise utilisation ou de la négligence.
- Des produits qui ont été modifiés.
- Des produits utilisés ou entretenus hors du pays où ils ont été achetés.
- Des pièces en verre et tout autre accessoire emballés avec le produit.
- Les frais de transport et de manutention reliés au remplacement du produit.
- Des dommages indirects (il faut toutefois prendre note que certains états ne permettent pas l'exclusion ni la limitation des dommages indirects).

Quelles lois régissent la garantie?

- Les modalités de la présente garantie donnent des droits légaux spécifiques. L'utilisateur peut également se prévaloir d'autres droits selon l'état ou la province qu'il habite.

Copyright © 2008 Applica Consumer Products, Inc.

Made in People's Republic of China
Printed in People's Republic of China

Fabriqué en République populaire de Chine
Imprimé en République populaire de Chine



2008/8-26-67E/F

Download from Www.Somanuals.com. All Manuals Search And Download.

Free Manuals Download Website

<http://myh66.com>

<http://usermanuals.us>

<http://www.somanuals.com>

<http://www.4manuals.cc>

<http://www.manual-lib.com>

<http://www.404manual.com>

<http://www.luxmanual.com>

<http://aubethermostatmanual.com>

Golf course search by state

<http://golfingnear.com>

Email search by domain

<http://emailbydomain.com>

Auto manuals search

<http://auto.somanuals.com>

TV manuals search

<http://tv.somanuals.com>