

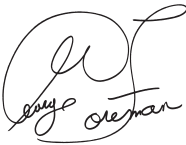
OWNER'S MANUAL
GUIDE D'UTILISATION

Model
Modèle
GRP3CAN

GEORGE FOREMAN®

**LEAN
MEAN
FAT REDUCING
GRILLING
MACHINE**

**The Next Grilleration™
Super Champ™**



Accessories/Parts (USA/Canada)
Accessoires/Pièces (É.-U./Canada)
1-800-738-0245

Toll-Free 1-800-231-9786
www.prodprotect.com/applica

Please Read and Save this Use and Care Book

Veillez lire et conserver ce guide d'entretien et d'utilisation

IMPORTANT SAFEGUARDS

When using electrical appliances, basic safety precautions should always be followed, including the following:

- Read all instructions.
- Do not touch hot surfaces. Use handles or knobs. Use oven mitts or pot holders.
- To protect against electric shock, do not immerse cord, plug, or appliance in water or other liquid.
- Close supervision is necessary when any appliance is used by or near children.
- Unplug from outlet when not in use and before cleaning. Allow to cool before putting on or taking off parts, and before cleaning the appliance.
- Do not operate any appliance with a damaged cord or plug or after the appliance malfunctions, or has been damaged in any manner. Contact Consumer Service for examination, repair or adjustment.
- The use of accessory attachments not recommended by the appliance manufacturer may cause injuries.
- Do not use outdoors.
- Do not let cord hang over edge of table or counter, or touch hot surfaces.
- Do not place on or near a hot gas or electric burner, or in a heated oven.
- Extreme caution must be used when moving an appliance containing hot oil or other hot liquids. Allow liquid to cool before removing and emptying drip tray.
- To disconnect, grasp plug and remove from wall outlet.
- Do not use appliance for other than intended use.

SAVE THESE INSTRUCTIONS

This appliance is for household use only.

ADDITIONAL IMPORTANT SAFEGUARDS

Caution: HOT SURFACES - This appliance generates heat and escaping steam during use. Proper precautions must be taken to prevent the risk of burns, fires or other injury to persons or damage to property.

Caution: This appliance is hot during operation and retains heat for some time after turning off. Always use oven mitts when handling hot materials and allow metal parts to cool before cleaning. Do not place anything on top of the appliance while it is operating or while it is hot.

1. All users of this appliance must read and understand this Owner's Manual before operating or cleaning this appliance.
2. The cord to this appliance should be plugged into a electrical outlet only.
3. If this appliance begins to malfunction during use, immediately unplug cord from outlet. Do not use or attempt to repair the malfunctioning appliance.
4. Do not leave this appliance unattended during use.
5. When using this appliance, provide adequate air space above and on all sides for air circulation. Do not allow this appliance to touch curtains, wall coverings, clothing, dish towels or other flammable materials during use.
- 6 This appliance generates steam — do not operate in open position.
7. **Using pot holder, hold the top cover (lid) open while placing or removing food on the cooking surface to prevent accidental closing and injury.**

Plasticizer Warning

CAUTION: To prevent Plasticizers from migrating from the finish of the countertop or tabletop or other furniture, place NON-PLASTIC coasters or placemats between the appliance and the finish of the countertop or tabletop.

Failure to do so may cause the finish to darken, permanent blemishes may occur or stains can appear.

SHORT CORD INSTRUCTIONS

A short power-supply cord is provided to reduce the risk resulting from becoming entangled in or tripping over a longer cord.

Do not use an extension cord with this product.

ELECTRIC POWER

Do not overload the electrical circuit with other appliances. Operate this appliance on a separate electrical circuit.

POLARIZED PLUG

If this appliance has a polarized plug, one blade is wider than the other. To reduce the risk of electric shock, this plug is intended to fit into a polarized outlet only one way. If the plug does not fit fully in the outlet, reverse the plug. If it still does not fit, contact a qualified electrician. Do not attempt to modify the plug in any way.

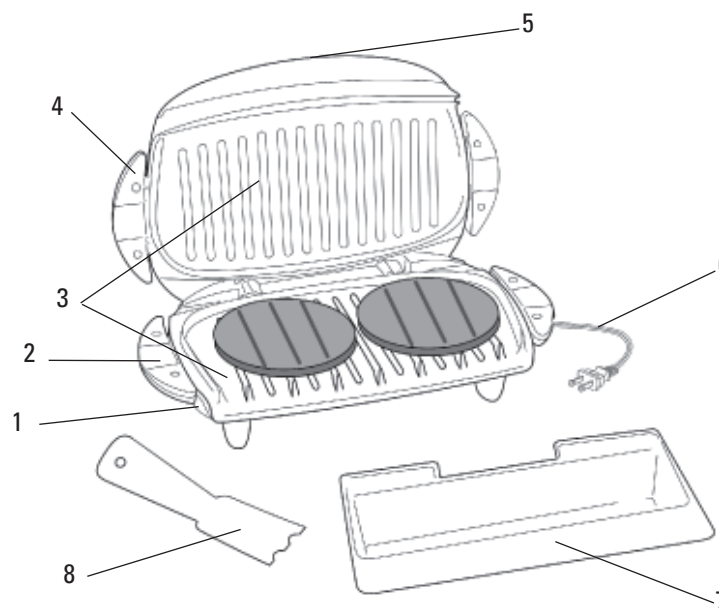
GROUNDING 3-CONDUCTOR PLUG

If this appliance is equipped with a grounded-type 3-wire cord (3-prong plug) the plug will only fit into an electrical outlet made for a 3-prong plug. This is a safety feature. If the plug should fail to fit the outlet, contact an electrician to replace the obsolete outlet. Do not attempt to defeat this safety feature.

IMPORTANT

- A. Make sure that BOTH release handles of the grill plates are properly latched and secured on the grill body before use.**
- B. Make sure that the cooking plates are pre-heated per instructions, before placing food on plates.**
- C. Do NOT cook frozen foods without pre-heating the cooking plates, per instructions.**
- D. Do NOT operate the grill in the open position.**

Product may vary slightly from what is illustrated.



- 1. Grill body
- 2. Grill plate release handles, lower
- † 3. Grill plates
Upper grill plate (P/N 22933U)
Lower grill plate (P/N 22933L)
- 4. Grill plate release handles, upper
- 5. Power light
- 6. Power cord
- † 7. Drip tray (P/N 22934B)
- † 8. Plastic spatula (P/N 20166)
- † Consumer replaceable/removable parts

How To Use George Foreman's Lean Mean Fat Reducing Grilling Machine®

1. Before using the grill for the first time, wipe the grill plates with a damp cloth to remove all dust and make sure both grill plates are firmly attached to the appliance.

Note: When attaching the plates, carefully and securely attach each into the appliance using the release handles on the plates only when plates are cool.

Make sure that BOTH release handles of the grill plates are properly latched and secured on the grill before use.

2. **To preheat:** Close the lid and plug cord into a outlet. The power light will go on indicating that the elements are heating. Allow grill to preheat for 5 minutes. When the appliance is preheated, the power light will go off.
3. Use a pot holder to carefully open the lid.
4. Slide the grease catching drip tray under the front of the unit.
5. Carefully place the items to be cooked on the bottom grill plate.
6. Close the lid and allow the food to cook for the desired time. (Consult the Recipes Section at the back of this book for some suggestions.) The power light will go on when the lid is closed to indicate that the elements are heating up to cook. **Do not leave appliance unattended during use!**
7. After the desired amount of time, the food should be done.
8. Disconnect the plug from the wall outlet.

CAUTION: To avoid any sparks at the outlet while disconnecting plug, make sure the power light is off (not illuminated) before disconnecting the plug from the outlet.

9. Use a pot holder to carefully open the lid.
10. Remove the food using the plastic spatula provided. Be sure to use either plastic or wooden utensils so as not to scratch the nonstick surface. Never use metal tongs, forks or knives as these can damage the coating on the cooking plates.
11. When cool, the drip tray may be removed and emptied. **Be sure the liquid is cooled before removing drip tray.**
12. **CAUTION: Do not remove the plates while the unit is hot. The appliance must cool completely before removing the plates.**

User Maintenance Instructions

CAUTION: To avoid accidental burns, allow your grill to cool thoroughly before cleaning.

1. Before cleaning, unplug the appliance from the wall outlet and allow to cool.

CAUTION: To avoid any sparks at the outlet while disconnecting plug, make sure the power light is off (not illuminated) before disconnecting the plug from the outlet.

2. **Inside cleaning:** Place the drip tray under the front of the grill. Using the specially designed spatula, scrape off any excess fat and food particles. Run off will drip into the drip tray. Wipe the plates with an absorbent paper towel or sponge.
Stubborn build-up: Use a non-metallic scrubbing pad to clean the plates.
3. Empty the drip tray and wash with warm soapy water. The grill plates may be removed from the appliance by pulling out on the grill plate release handles. Wash in warm, soapy water and dry thoroughly. Reinstall the grill plates, making sure they are securely attached to the appliance. The removable grill plates are also dishwasher-safe.
After washing the plates in the dishwasher, wipe the uncoated side with a dry towel to prevent discoloration. Dishwasher detergent may cause oxidation on the uncoated side of the cooking plate. This is not harmful and can be wiped off with a damp towel.
4. **Outside cleaning:** Wipe with a warm, wet sponge and dry with a soft, dry cloth.
5. Do not use steel wool, scouring pads, or abrasive cleaners on any part of the appliance.
6. **DO NOT IMMERSE THE BODY OF THE APPLIANCE IN WATER OR OTHER LIQUID.**
7. Any servicing requiring disassembly other than the above cleaning must be performed by a qualified electrician.
8. Make sure to hold the top cover (lid) by hand while cleaning to prevent accidental closing and injury.

Suggested Cooking Chart

The following times are meant to be used as guidelines only. Times will vary due to the cut or thickness of the meat being cooked. To be sure that the food is truly done, use a cooking thermometer. If the meat does need more time to cook, simply place the meat back on the grill and check periodically so you don't over cook.

Make sure grill is preheated before grilling.

	Rare 145°F (62°C)*	Medium 160°F (71°C)*	Well 170°F (76°C)*
Salmon Filet	2½ min.	3 min.	4½ min.
Salmon Steak	4 min.	6 min.	10 min.
Sword Fish	7 min.	9 min.	10 min.
Tuna Steak	6 min.	8 min.	10 min.
White Fish	4 min.	5½ min.	7 min.
Shrimp	1½ min.	2½ min.	3½ min.
4 oz. Turkey Burgers			5 min.
8 oz. Turkey Burgers			6 min.
Pork Loin		5 min.	6 min.
4 oz. Burgers	7 min.	8 min.	9 min.
8 oz. Burgers	8 min.	9 min.	10 min.
Chicken Breast (boneless/skinless)			9 min.
Link Sausage		4 min.	5 min.
Sliced Sausage (¾" thick)		6 min.	7 min.
Fajita Beef (½" thick slices) 1½ min.		2 min.	2½ min.
T-Bone	8 min.	9 min.	10 min.
NY Strip	4 min.	7 min.	10 min.
Flank Steak	7 min.	8 min.	10 min.
Onions and Peppers (brush with olive oil)		8½ min.	

NOTE: Most meats were 1" thick. These are recommended guidelines only. Personal taste and thickness of cut may vary cooking times. Always check for doneness and always use fresh, refrigerated foods.

NOTE: The United States Department of Agriculture recommends that meat and poultry be cooked to the following internal temperatures to be sure any harmful bacteria has been killed. Ground turkey and chicken should be cooked to an internal temperature of 165°F and ground beef, veal lamb and pork be cooked to an internal temperature of 160°F. Chicken and turkey should be cooked to an internal temperature of 170°F for white meat and 180°F for dark meat. Goose and duck should be cooked to an internal temperature of 180°F. Fresh beef, veal and lamb, etc. should be cooked to an internal temperature of 145°F. Fresh pork should be cooked to an internal temperature of at least 160°F. When re-heating meat and poultry products, they should also be cooked to an internal temperature of 165°F.

* Internal Food Temperature

Recipes

NOTE: For all recipes, please remember to place drip tray in front of the grill to catch drippings from the cooking process.

The Champ's Sausage without Guilt

You can start your day with a sizzling sausage patty that not only tastes good, but is also good for you. This moist, flavorful sausage, served with a country-style biscuit, makes the complete breakfast. Choose ground turkey breast, which is lower in fat than ground turkey containing dark meat and skin. Turkey, especially the light meat, is a good source of niacin, which is an important B vitamin needed to maintain a healthy nervous system.

1 slightly beaten egg white
1/3 cup finely chopped onion
1/4 cup finely snipped dried apples or
1/2 cup finely chopped fresh red Delicious apple
1/4 cup seasoned bread crumbs
2 tbsp. snipped fresh parsley
1/2 tsp. sea salt
1/2 tsp. ground sage
1/4 tsp. ground nutmeg
1/4 tsp. black pepper
1/8 tsp. cayenne pepper
1/2 lb. lean ground turkey breast

- In a medium size mixing bowl, combine the egg white, onion, dried or fresh apples, bread crumbs, parsley, salt, sage, nutmeg, black pepper and cayenne pepper. Add the ground turkey and mix well.
- Shape the mixture into eight or nine 2-inch wide patties.
- Preheat the grill and place the patties two at a time. Close the lid. Cook for 5 minutes or until the meat is no longer pink and the juices run clear, turning once or twice.
- Yield: 8 - 9 patties.

This recipe is from "The Healthy Gourmet" (Clarkson Potter) by Cherie Calbom.

George's Sausage Texas Style

A spicy sausage with true Southwestern zip! These breakfast sausages are great served with a sautéed vegetable or fresh salsa and egg scramble. Buy 90% lean ground beef for the least-fat sausage. Ninety percent lean beef has 9 grams of fat with 4 of those grams being saturated fat; whereas 73% lean beef has 18 grams of fat with 7 of the grams being saturated.

1 slightly beaten egg white
1/3 cup finely chopped onion
1/4 cup seasoned bread crumbs
1/4 cup diced green chili peppers
1 clove (large) garlic, finely minced
2 tbsp. snipped fresh cilantro
1 tbsp. apple cider vinegar
1-1/2 tsp. chili powder
1/4 tsp. sea salt
1/8 tsp. cayenne pepper
1/2 lb. lean ground beef

- In a medium size mixing bowl, combine the egg white, onion, bread crumbs, green chili peppers, garlic, cilantro, vinegar, chili powder, salt and cayenne pepper. Add the ground beef and mix well.
- Shape the mixture into eight 3-inch wide patties.
- Preheat the grill for 3 - 5 minutes and place the patties two at a time.
- Close the lid and cook for 5 minutes or until the meat is no longer pink and the juices run clear, turning once or twice.
- Yield: 8 patties.

This recipe is from "The Healthy Gourmet" (Clarkson Potter) by Cherie Calbom.

George Foreman's Power Burger

A flavorful hamburger that we think tastes even better than its all-meat cousin! It pays to eat meals that minimize meat. To reduce saturated fat in a typical burger, you can cut back on the amount of meat and make up for it with plant-based ingredients. Bread crumbs and chopped vegetables have been added in this recipe. You could also try cooked rice, other grains or cereal. In addition, choose whole wheat buns; they typically contain one less fat gram than regular or even reduced-calorie buns.

If you settle for nothing less than a cheeseburger, Swiss cheese is 1 gram lower in fat than Cheddar, American or Monterey Jack with 8 grams of fat versus 9 in each ounce of cheese. However, reduced fat cheeses like Cheddar or Swiss contain half the fat with 4 grams per ounce. Mustard contains 1 gram of fat per tablespoon versus a whopping 11 grams of fat in a tablespoon of mayonnaise.

Top your burger in healthful style with dark, leafy green lettuce, shredded cabbage, fresh cilantro, basil or spinach.

1/4 cup chopped vegetables such as yellow onions, green onions, zucchini, parsley (can be sautéed)
1/4 cup seasoned bread crumbs
3/4 lb. lean ground beef

- In a medium size mixing bowl, combine the vegetables and bread crumbs. Add the ground beef and mix well.
- Shape the mixture into four 4-inch wide patties.
- Preheat the grill for 3 - 5 minutes and place the patties on the grill two at a time.
- Close the lid and cook for 5 - 6 minutes or until the meat is no longer pink and the juices run clear, turning once.
- Yield: Serves 4.

This recipe is from "The Healthy Gourmet" (Clarkson Potter) by Cherie Calbom.

Grilled Vegetables

6 slices eggplant, 1/2" thick (or use 2 baby eggplants)
2 small onions, sliced 1/2" thick
2 small tomatoes, diced
2 small zucchini, sliced
4 large cloves of garlic, peeled and sliced
4 - 6 mushrooms, sliced
1 tsp. olive oil (optional)

- Preheat the grill for 3 - 5 minutes. At this time, also spread on olive oil if desired.
- Add the sliced eggplant and garlic, close the lid and cook 3 minutes.
- Add the slices of onion, zucchini, and mushrooms. Cover and cook 3 - 5 minutes.
- Remove the eggplant and zucchini and mushroom slices to a plate.
- Add tomatoes to the onion and garlic. Cover and cook for one minute.
- Remove and serve over the eggplant, zucchini, and mushrooms.
- Yield: Serves 2 - 4. Serve as an accompaniment to meat and pasta, or stuff them into a piece of pita or french bread for a grilled vegetable sandwich.

Rosemary Lamb Chops

4 lamb chops, shoulder or loin
2 tsp. fresh chopped rosemary (or 1/2 tsp dried)
ground black pepper to taste

- Coat chops with rosemary and pepper.
- Preheat the grill for 3 - 5 minutes.
- Close lid and cook for 5 minutes for medium (a hint of pink in the middle) and 7 minutes for well done.
- Serve immediately.
- Yield: Serves 4.

Mustard Lemon Chicken Breasts

2 tbsp. mustard
2 tbsp. balsamic vinegar
3 tbsp. lemon juice
2 cloves garlic, minced
1 tsp. paprika
4, 6 oz. chicken breasts halved with the skin taken off

- Preheat the grill for 3 - 5 minutes.
- Mix first 5 ingredients.
- Add chicken breast and let it marinate for at least 1/2 hour in the refrigerator.
- Place marinated chicken on grill and close lid. Let cook for 3-1/2 minutes.
- Remove and serve.
- Yield: Serves 4.

Sole with Tomatoes

2 tsp. olive oil or red wine (optional)
2 small onions, diced
2 cloves garlic, minced
2 small tomatoes, chopped
2 tbsp. fresh basil or 1/2 tsp. dried, chopped
1 tbsp. fresh parsley, chopped
1 tbsp. ground pepper
1 tbsp. lemon juice
1 lb. fillet of sole (or any white fish fillet)

- Preheat the grill for 3 - 5 minutes.
- Sauté the onion and garlic in oil or wine for 2 minutes, stirring occasionally.
- Add the tomato, half of the herbs and a few grinds of pepper. Lay the fish on top, add the lemon juice and remaining herbs.
- Cover and let cook for 2 - 3 minutes.
- Lift the fish and the vegetables onto a plate. If any juices have dripped into the drip tray, use as a sauce to pour on top of the fillet.
- Serve with fresh bread or rice.
- Yield: Serves 3 - 4.

Strip Steak Polynesian

4 Tbsp. soy sauce
2 cloves garlic, minced
2 tsp. honey
4,6 oz. strip steaks

- Combine first 3 ingredients.
- Marinate the strip steak in the mixture for approximately one hour in the refrigerator.
- Preheat the grill for 3 - 5 minutes.
- Place the marinated strip steak onto the preheated grill. Close the lid.
- Grill for 3 minutes, open grill, add the rest of the marinade sauce to the top of the steaks. Close the lid.
- Grill for 1 minute, open grill and serve on a bed of rice.
- Yield: Serves 4.

Burritos

1 small onion, chopped
2 cloves garlic, minced
2 cups ground meat, shredded beef, or chicken cubed
1-1/4 cups canned red chili sauce
1 tsp. salt
1/2 tsp. cinnamon & cumin

- Preheat the grill for 5 minutes.
- Add onions and garlic and sauté for 1 minute.
- Add meat/chicken, close the lid, and cook for 3 minutes or until cooked through.
- Add red chili sauce and seasoning until mixed through and hot.
- Remove from grill.
- Yield: Makes 4 burritos.

Roll into warmed flour tortilla and top with your choice of guacamole, sour cream, shredded Jack cheese.

Frequently Asked Questions

Question	Response
1. Can I cook frozen food on my George Foreman® Grill?	It is preferable that food be defrosted before placing on the George Foreman® Grill. Make sure that the grill is preheated (see preheat Instructions) before placing food on the grill plate.
2. Why does the power light turn ON & OFF?	As stated in the manual, the power light goes ON to indicate when the grill's elements are heating. The power light goes OFF when the proper temperature has been reached. The thermostat will cycle ON & OFF throughout the cooking process to maintain proper temperature.
3. Can I cook kabobs on the George Foreman® Grill?	Yes. In order to protect the nonstick surface, use wooden skewers. We recommend that you soak the skewers in water first for about 20 minutes. This will keep the skewers from burning.
4. After cooking with garlic, how can I remove the smell of the garlic from the surface of my George Foreman® Grill?	After cleaning your George Foreman® Grill according to the "User Maintenance Instructions" make a paste of baking soda and water and spread on the surface of the grill. Allow it to sit for a few minutes and then wipe away with a damp sponge or cloth.
5. How can I cook hot dogs on my George Foreman® Grill?	Preheat your grill for 5 minutes. Place the hot dogs lengthwise on the grill. Close the lid and cook for 2-1/2 minutes or until desired browning is achieved.
6. Can hash browns be prepared on my George Foreman® Grill?	Yes, self-browning hash browns can be prepared by preheating the grill for 5 minutes. Add hash browns onto the grill surface, close the lid, and cook for approximately half the time stated on the package for oven preparation.
7. Any other cooking suggestions?	Fresh peppers can be grilled for 2-3 minutes for skinning purposes. Grilled cheese sandwiches can also be cooked on your George Foreman® Grill.

MISES EN GARDE IMPORTANTES

Lors de l'utilisation de tout appareil électroménager, il faut toujours observer des précautions de base, y compris ce qui suit :

- Lire toutes les instructions.
- Ne pas toucher aux surfaces chaudes. Utiliser les poignées et les boutons. Utiliser des mitaines de cuisine ou des poignées.
- Pour éviter les risques de choc électrique, ne pas immerger la fiche, le cordon ou l'appareil dans l'eau ou dans d'autres liquides.
- Exercer une étroite surveillance lorsque l'appareil est utilisé par un enfant ou près d'un enfant.
- Débrancher l'appareil lorsqu'il ne sert pas ou avant de le nettoyer. Laisser l'appareil refroidir avant d'y placer ou d'en retirer des composantes, ou avant de le nettoyer.
- Ne pas utiliser un appareil dont la fiche ou le cordon est abîmé, qui fonctionne mal ou qui a été endommagé. Communiquer avec le service à la clientèle pour un examen, une réparation ou un ajustement.
- L'utilisation d'accessoires non recommandés par le fabricant de l'appareil peut engendrer des risques de blessures.
- Ne pas utiliser l'appareil à l'extérieur.
- Ne pas laisser pendre le cordon sur le bord d'une table ou d'un comptoir, ni le laisser entrer en contact avec une surface chaude.
- Ne pas placer l'appareil sur le dessus ou près d'un élément chauffant électrique ou à gaz, ni dans un four.
- Il faut être extrêmement prudent au moment de déplacer un appareil qui contient de l'huile chaude ou d'autres liquides chauds. Laisser refroidir le liquide avant de retirer et de vider le plateau d'égouttage.
- Pour débrancher l'appareil, saisir la fiche et la retirer de la prise murale.
- Utiliser l'appareil uniquement aux fins pour lesquelles il a été conçu.

CONSERVER CE GUIDE D'UTILISATION

Cet appareil est conçu pour un usage domestique seulement.

AUTRES MISES EN GARDE IMPORTANTES

ATTENTION AUX SURFACES CHAUDES : Cet appareil produit de la chaleur et de la vapeur pendant l'utilisation. Il faut prendre les mesures de sécurité adéquates pour prévenir les risques de brûlures, de blessures, d'incendie et de dommages matériels.

MISE EN GARDE : Cet appareil est chaud pendant son fonctionnement et conserve sa chaleur pendant un certain temps après qu'on l'ait éteint. Toujours utiliser des mitaines de cuisine pour manipuler les objets chauds et laisser refroidir les parties métalliques avant de les nettoyer. Ne rien placer sur le dessus de l'appareil pendant qu'il fonctionne ou lorsqu'il est chaud.

1. Tous les utilisateurs de cet appareil doivent lire et comprendre le présent guide d'utilisation avant d'utiliser et de nettoyer cet appareil.
2. Le cordon de cet appareil doit être branché uniquement dans une prise de courant électrique.
3. Si l'appareil fait défaut en cours d'utilisation, débrancher immédiatement le cordon de la prise de courant. Ne pas utiliser ni tenter de réparer un appareil défectueux.
4. Ne pas laisser l'appareil sans surveillance pendant son utilisation.
5. Au moment d'utiliser cet appareil, s'assurer d'une bonne circulation d'air au-dessus et tout autour de l'appareil. Éviter que l'appareil n'entre en contact avec les rideaux, tout revêtement mural, vêtement, linge à vaisselle ou autre matériau inflammable pendant l'utilisation.
6. Cet appareil dégage de la vapeur – ne pas le laisser ouvert pendant qu'il fonctionne.
7. **Utiliser des poignées pour tenir le couvercle du gril ouvert pendant l'ajout d'aliments sur la surface de cuisson ou pendant le retrait de ces aliments. Cette mesure permet d'éviter la fermeture accidentelle du gril et les blessures.**

Mise en garde relative au plastifiant

MISE EN GARDE : Pour empêcher que les plastifiants ne fondent sur le fini du comptoir, de la table ou de tout autre meuble, placer un dessous de verre ou un napperon qui n'est PAS EN PLASTIQUE entre l'appareil et le comptoir ou la table.

Autrement, il est possible que le fini devienne plus foncé. Des taches permanentes ou des colorations peuvent également apparaître.

INSTRUCTIONS RELATIVES AU CORDON

Cet appareil est doté d'un cordon d'alimentation court et ce, afin de réduire les risques d'emmêlement ou de chute. Ne pas utiliser de rallonge avec cet appareil.

ALIMENTATION ÉLECTRIQUE

Ne pas surcharger le circuit électrique avec d'autres appareils. Brancher cet appareil sur un circuit électrique distinct.

FICHE POLARISÉE

Si cet appareil est doté d'une fiche polarisée, l'une des broches est plus large que l'autre. Pour réduire les risques de chocs électriques, la fiche se branche dans une prise polarisée dans un sens seulement. Si la fiche n'entre pas complètement dans la prise, tourner la fiche. Si la fiche n'entre toujours pas, communiquer avec un électricien qualifié. Ne pas tenter de modifier la fiche.

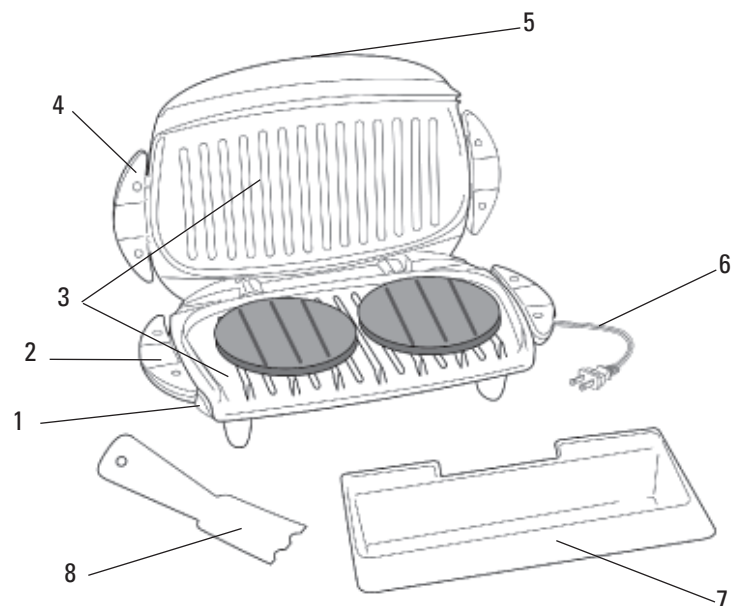
FICHE TRIPOLAIRE AVEC MISE À LA TERRE

Cet appareil est doté d'un cordon à trois fils mis à la terre. La fiche se branche uniquement dans une prise électrique conçue pour les fiches tripolaires. Il s'agit d'un dispositif de sécurité. Si la fiche ne peut être branchée dans la prise, communiquer avec un électricien pour faire installer une prise de courant assortie. Ne pas tenter de contourner ce dispositif de sécurité.

IMPORTANT

- A. S'assurer que LES DEUX poignées de dégagement des plaques du gril sont correctement enclenchées et fixées sur le gril avant d'utiliser l'appareil.**
- B. S'assurer que les plaques de cuisson sont préchauffées comme l'indiquent les instructions avant d'y placer des aliments.**
- C. NE PAS faire cuire d'aliments congelés sans préchauffer les plaques de cuisson, comme l'indiquent les instructions.**
- D. NE PAS laisser le gril ouvert pendant qu'il fonctionne.**

Le produit peut différer légèrement de celui illustré



1. Gril
 2. Poignées inférieures de dégagement des plaques du gril
 - † 3. Plaques du gril
Plaque supérieure du gril (n° de pièce 22933U)
Plaque inférieure du gril (n° de pièce 22933L)
 4. Poignées supérieures de dégagement des plaques du gril
 5. Témoin de fonctionnement
 6. Cordon d'alimentation
 - † 7. Plateau d'égouttage (n° de pièce 22934B)
 - † 8. Spatule en plastique (n° de pièce 20166)
- † Pièces remplaçables par le consommateur et amovibles

Utilisation du gril George Foreman avec système d'élimination de la graisse

1. Avant d'utiliser le gril pour la première fois, essuyer les plaques de ce dernier à l'aide d'un chiffon humide pour enlever la poussière et s'assurer que les deux plaques sont bien fixées à l'appareil.

Note: Au moment de la fixation des plaques, s'assurer de fixer solidement chaque plaque avec précaution dans l'appareil en utilisant les poignées de dégagement et ce, uniquement lorsque les plaques sont froides.

S'assurer que LES DEUX poignées de dégagement des plaques du gril sont correctement enclenchées et fixées sur le gril avant d'utiliser l'appareil.

2. **Pour préchauffer :** Fermer le couvercle et brancher l'appareil à une prise de 120 V c.a. Le témoin de fonctionnement s'allume, indiquant que les éléments chauffent. Préchauffer le gril pendant 5 minutes. Une fois l'appareil préchauffé, le témoin de fonctionnement s'éteindra.
3. Utiliser une poignée pour soulever le couvercle avec précaution.
4. Glisser le plateau d'égouttage destiné à recueillir la graisse sous l'avant de l'appareil.
5. Placer soigneusement les aliments à cuire sur la plaque de cuisson du bas.
6. Rabattre le couvercle et laisser cuire les aliments le temps nécessaire. (Consulter la section Recettes à la fin de ce livret pour y trouver quelques suggestions.) Le témoin de fonctionnement s'allumera une fois le couvercle fermé pour indiquer que les éléments chauffent en vue de faire cuire les aliments. Ne pas laisser l'appareil sans surveillance pendant son utilisation!
7. Une fois le temps de cuisson prévu écoulé, les aliments devraient être cuits.
8. Débrancher le cordon de la prise de courant.

MISE EN GARDE : Pour éviter toute étincelle à proximité de la prise au moment du débranchement, s'assurer que le témoin lumineux est éteint (non éclairé) avant de débrancher le cordon de la prise de courant.

9. Utiliser une poignée pour soulever le couvercle avec précaution.
10. Retirer les aliments à l'aide de la spatule en plastique fournie. S'assurer de toujours utiliser des ustensiles en plastique ou en bois, afin de ne pas rayer le revêtement antiadhésif. Ne jamais utiliser de pinces, fourchettes ou couteaux métalliques, car ils pourraient endommager le revêtement des plaques du gril.

11. Une fois refroidi, le plateau d'égouttage peut être retiré et vidé. **S'assurer que le liquide a lui aussi refroidi avant de retirer le plateau d'égouttage.**
12. **MISE EN GARDE : Ne pas retirer les plaques lorsque l'appareil est chaud. Attendre que le gril soit complètement refroidi avant de retirer les plaques.**

Instructions d'entretien à l'intention de l'utilisateur

MISE EN GARDE : Pour éviter les brûlures accidentelles, laisser refroidir le gril complètement avant de le nettoyer.

1. Avant de nettoyer le gril, le débrancher et le laisser refroidir.

MISE EN GARDE : Pour éviter toute étincelle à proximité de la prise au moment du débranchement, s'assurer que le témoin lumineux est éteint (non éclairé) avant de débrancher le cordon de la prise de courant.

2. **Nettoyage intérieur :** Placer le plateau d'égouttage sous l'avant de l'appareil. À l'aide de la spatule conçue spécialement, gratter toute particule de graisse ou d'aliments qui reste. Essuyer les plaques à l'aide de papier absorbant ou d'une éponge. L'excédent s'écoulera dans le plateau d'égouttage.
Résidus tenaces : Utiliser un tampon à laver non métallique pour nettoyer les plaques.
3. Vider le plateau d'égouttage et le nettoyer avec de l'eau tiède savonneuse. Il est possible de retirer les plaques du gril en tirant les poignées de dégagement des plaques vers l'extérieur. Laver les plaques avec de l'eau tiède savonneuse et bien les assécher. Réinstaller les plaques du gril en s'assurant qu'elles sont solidement fixées à l'appareil. Les plaques du gril amovibles vont aussi au lave-vaisselle.
Après avoir lavé les plaques au lave-vaisselle, essuyer le côté sans revêtement avec un linge sec pour prévenir la décoloration. En effet, les détergents pour lave-vaisselle peuvent causer de l'oxydation sur le côté sans revêtement des plaques de cuisson. Ce phénomène n'est pas néfaste et l'oxydation peut être essuyée avec un linge humide.
4. **Nettoyage extérieur :** Essuyer avec une éponge humidifiée à l'eau tiède, et sécher avec un linge doux et sec.
5. Ne pas utiliser de laine d'acier, de tampon à récurer, ou de nettoyant abrasif sur aucune partie du gril.
6. **NE PAS IMMERGER L'APPAREIL DANS L'EAU OU DANS UN AUTRE LIQUIDE.**
7. Tout entretien, autre que le nettoyage ci dessus, requérant un démontage doit être effectué par un électricien qualifié.
9. S'assurer de maintenir la partie supérieure (couvercle) ouverte pendant le nettoyage pour éviter tout risque de fermeture accidentelle et de blessure.

Tableau de cuisson suggéré

Les temps de cuisson suivants sont fournis uniquement à titre indicatif. Ils varieront selon la coupe ou l'épaisseur de la viande à cuire. Pour s'assurer que la viande est bien cuite, utiliser un thermomètre à cuisson. Si la viande doit cuire plus longtemps, la replacer sur le gril et la vérifier régulièrement pour éviter qu'elle ne soit trop cuite.

S'assurer de préchauffer le gril avant de griller les aliments.

	Saignant 62°C (145°F)*	À point 71°C (160°F)*	Bien cuit 76°C (170°F)*
Filet de saumon	2½ min.	3 min.	4 ½ min.
Tranche de saumon	4 min.	6 min.	10 min.
Espadon	7 min.	9 min.	10 min.
Tranche de thon	6 min.	8 min.	10 min.
Poisson maigre	4 min.	5 ½ min.	7 min.
Crevette	1½ min.	2 ½ min.	3 ½ min.
Boulettes de dinde de 113 g (hamburgers)			5 min.
Boulettes de dinde de 227 g (hamburgers)			6 min.
Longe de porc		5 min.	6 min.
Boulettes de bœuf de 113 g (hamburgers)	7 min.	8 min.	9 min.
Boulettes de bœuf de 227 g (hamburgers)	8 min.	9 min.	10 min.
Poitrine de poulet (désossée/sans peau)			9 min.
Saucisse en chapelet		4 min.	5 min.
Saucisse tranchée (épaisseur de 2 cm)		6 min.	7 min.

	Saignant 62°C (145°F)*	À point 71°C (160°F)*	Bien cuit 76°C (170°F)*
Bœuf pour fajitas (tranches d'une épaisseur de 1,25 cm)	1½ min.	2 min.	2 ½ min.
Rôti d'ailoyau (T-bone)	8 min.	9 min.	10 min.
Coquille d'ailoyau	4 min.	7 min.	10 min.
Bavette de flanchet	7 min.	8 min.	10 min.
Oignons et piments (avec de l'huile d'olive)		8 ½ min.	

NOTA : La plupart de ces temps de cuisson ont été établis en fonction de tranches de viande de 2,5 cm d'épaisseur. Ils sont donnés à titre de recommandations seulement. Les goûts personnels et l'épaisseur de coupe peuvent faire varier les temps de cuisson. Toujours vérifier la cuisson et toujours utiliser des aliments frais et réfrigérés.

NOTA : Le United States Department of Agriculture (ministère américain de l'Agriculture) recommande que la viande et la volaille soient cuites aux températures internes suivantes afin d'assurer l'élimination de toute bactérie néfaste. La dinde et le poulet maigres doivent être cuits à une température interne de 74 °C. Le bœuf, le veau, l'agneau et le porc maigres doivent être cuits à une température interne de 71 °C. Le poulet et la dinde doivent être cuits à une température interne de 77 °C pour la viande blanche et de 82 °C pour la viande brune. L'oie et le canard doivent être cuits à une température interne de 82 °C. Le bœuf, le veau, l'agneau frais, etc. doivent être cuits à une température interne d'au moins 63 °C. Le porc frais doit être cuit à une température interne d'au moins 71 °C. Lorsque l'on réchauffe de la viande ou de la volaille, la température interne doit également atteindre 74 °C.

*Température interne de la viande

Recettes

NOTA : Pour toutes les recettes, s'assurer de placer le plateau d'égouttage devant le gril pour qu'il recueille les gouttes qui tomberont pendant la cuisson

La saucisse du champion sans culpabilité

Vous pouvez commencer votre journée avec une boulette de saucisse grésillante qui est non seulement bonne au goût, mais qui est aussi bonne pour vous. Cette saucisse fraîche et délicieuse, servie avec des biscuits de campagne, constitue un déjeuner complet. Choisissez une poitrine de dinde hachée, qui est plus faible en gras que la dinde hachée contenant de la viande foncée et de la peau. La dinde, surtout la viande blanche, est une bonne source de niacine, qui constitue une vitamine B importante nécessaire pour maintenir le système nerveux en santé.

1 blanc d'œuf légèrement battu
74 g d'oignon finement haché
57 g de pommes séchées ciselées ou 85 g de pommes rouges Delicious fraîches finement hachées
57 g de chapelure assaisonnée
28 g de persil frais ciselé
2,3 g de sel de marin
2,3 g de sauge moulue
1,2 g de muscade moulue
1,2 g de poivre noir
0,6 g de poivre de Cayenne
227 g de poitrine de dinde maigre hachée

- Dans un bol moyen, mélanger le blanc d'œuf, l'oignon, les pommes séchées ou fraîches, la chapelure, le persil, le sel, la sauge, la muscade, le poivre noir et le poivre de Cayenne. Ajouter la dinde hachée et bien mélanger.
- Former huit ou neuf boulettes de 5 cm de largeur avec le mélange.
- Préchauffer le gril et y placer 3 boulettes à la fois. Fermer le couvercle. Laisser cuire pendant 5 minutes ou jusqu'à ce que la viande ne soit plus rose et que le jus qui s'en écoule soit clair. Tourner les boulettes une ou deux fois pendant la cuisson.
- Donne 8 ou 9 boulettes.

Cette recette est tirée du livre The Healthy Gourmet (Clarkson Potter) de Cherie Calbom.

Saucisse style Texas de George

Une saucisse épicée ayant le vrai goût du Sud-Ouest! Ces saucisses à déjeuner sont excellentes lorsqu'elles sont servies avec un légume sauté ou de la salsa fraîche et des œufs brouillés. Achetez du bœuf haché maigre à 90 % pour faire les saucisses les plus faibles en gras. En effet, le bœuf maigre à 90 % contient 9 grammes de gras, dont 4 grammes de gras saturés, alors le bœuf maigre à 73 % contient 18 grammes de gras, dont 7 grammes de gras saturés.

1 blanc d'œuf légèrement battu
74 g d'oignon finement haché
57 g de chapelure assaisonnée
57 g de piments du Chili verts coupés en dés
1 (grosse) gousse d'ail, finement hachée
28 g de coriandre fraîche ciselée
15 ml de vinaigre de cidre de pommes
7 g d'assaisonnement au chili
1,2 g de sel marin
0,6 g de poivre de Cayenne
227 g de bœuf haché maigre

- Dans un bol moyen, mélanger le blanc d'œuf, l'oignon, la chapelure, les piments du Chili verts, l'ail, la coriandre, le vinaigre, l'assaisonnement au chili, le sel et le poivre de Cayenne. Ajouter le bœuf haché et bien mélanger.
- Former huit boulettes de 7,5 cm de largeur avec le mélange.
- Préchauffer le gril pendant 5 minutes et y placer 2 boulettes à la fois. Fermer le couvercle.
- Laisser cuire pendant 5 minutes ou jusqu'à ce que la viande ne soit plus rose et que le jus qui s'en écoule soit clair. Tourner les boulettes une ou deux fois pendant la cuisson.
- Donne 8 boulettes.

Cette recette est tirée du livre The Healthy Gourmet (Clarkson Potter) de Cherie Calbom.

Le PowerBurger de George Foreman

Un hamburger délicieux qui, selon nous, goûte encore meilleur que son cousin entièrement fait de viande!

Il est avantageux de manger des repas qui réduisent notre consommation de viande. Pour réduire la quantité de gras saturés dans un hamburger ordinaire, vous pouvez diminuer la quantité de viande et compenser avec des ingrédients à base de plantes. La présente recette vous propose d'ajouter de la chapelure et des légumes hachés. Vous pourriez également essayer du riz cuit, ou d'autres grains ou céréales. De plus, il est préférable de choisir des pains à hamburger de blé entier : ils contiennent habituellement un gramme de gras de moins que les pains à hamburger ordinaires, voire que les pains faibles en calories.

Si vous avez envie de rien de moins qu'un hamburger au fromage, le fromage suisse contient 1 gramme de gras de moins que le fromage cheddar, américain ou Monterey Jack, puisqu'il contient 8 grammes de gras plutôt que 9 dans chaque once de fromage. Par contre, les fromages à faible teneur en gras comme le cheddar ou le suisse contiennent deux fois moins de gras, soit 4 grammes par once. La moutarde contient 1 gramme de gras par cuillerée à table, alors que la mayonnaise contient 11 grammes de gras par cuillerée à table, ce qui est énorme.

Garnissez votre hamburger sainement avec de la laitue à feuilles verte et foncée, du chou râpé, de la coriandre fraîche, du basilic ou des épinards.

57 g de légumes hachés, comme des oignons jaunes, des oignons verts, des courgettes, du persil (qui peut être sauté)

57 g de chapelure assaisonnée

340 g de bœuf haché maigre

- Dans un bol moyen, mélanger les légumes et la chapelure. Ajouter le bœuf haché et bien mélanger.
- Former quatre boulettes de 11 cm de largeur avec le mélange.
- Préchauffer le gril pendant 5 minutes et y placer 2 boulettes à la fois. Fermer le couvercle.
- Laisser cuire pendant 8 à 9 minutes ou jusqu'à ce que la viande ne soit plus rose et que le jus qui s'en écoule soit clair. Tourner les boulettes une fois pendant la cuisson.
- Donne 4 portions.

Cette recette est tirée du livre *The Healthy Gourmet* (Clarkson Potter) de Cherie Calbom.

Légumes grillés

6 tranches d'aubergine d'une épaisseur de 1,25 cm (ou utiliser 2 petites aubergines)

2 petits oignons coupés en tranches de 1,25 cm d'épaisseur

2 petites tomates coupées en dés

2 petites courgettes tranchées

4 grosses gousses d'ail pelées et tranchées

4 à 6 champignons tranchés

1 c. à thé d'huile d'olive (facultative)

- Préchauffer le gril pendant 5 minutes. À cette étape, étendre également de l'huile d'olive si désiré.
- Ajouter l'aubergine et l'ail tranchés, puis couvrir et laisser cuire pendant 3 minutes.
- Ajouter les tranches d'oignon, de courgettes et de champignons. Couvrir et laisser cuire pendant 3 à 5 minutes.
- Retirer les tranches d'aubergine, de courgettes et de champignons et les placer dans une assiette.
- Ajouter les tomates à l'oignon et à l'ail. Couvrir et laisser cuire pendant une minute.
- Retirer les tomates, l'oignon et l'ail et les mettre sur l'aubergine, les courgettes et les champignons.
- Donne de 2 à 4 portions.

Servir comme accompagnement avec de la viande ou des pâtes. Vous pouvez aussi mettre ce mélange dans un pain pita ou dans un pain croûté pour obtenir un sandwich aux légumes grillés.

Côtelettes d'agneau au romarin

4 côtelettes d'agneau, épaule ou longe

9,2 g de romarin frais haché (ou 2,3 g de romarin sec)

Poivre noir moulu au goût

- Napper les côtelettes de romarin et de poivre.
- Préchauffer le gril pendant 5 minutes.
- Fermer le couvercle et laisser cuire les côtelettes d'agneau pendant 7 à 9 minutes pour une cuisson à point (viande un peu rosée au milieu) et pendant 11 minutes pour obtenir une viande bien cuite.
- Servir immédiatement.
- Donne 2 portions.

Poitrines de poulet à la moutarde et au citron

30 ml de moutarde
30 ml de vinaigre balsamique
45 ml de jus de citron
2 gousses d'ail émincées
4,6 g de paprika
4 moitiés de poitrine de poulet de 170 g sans peau

- Mélanger les 5 premiers ingrédients.
- Ajouter le poulet et laisser mariner pendant au moins 30 minutes au réfrigérateur.
- Préchauffer le gril pendant 5 minutes.
- Mettre le poulet mariné sur le gril et fermer le couvercle. Laisser cuire pendant 8 ou 9 minutes.
- Retirer du gril et servir.
- Donne 4 portions.

Sole et tomates

10 ml d'huile d'olive
2 petits oignons coupés en dés
2 gousses d'ail émincées
2 petites tomates hachées
28 g de basilic frais ou 2,3 g de basilic séché et haché
14 g de persil frais haché
1,2 g de poivre moulu
15 ml de jus de citron
454 g de filet de sole (ou de tout autre filet de poisson maigre)

- Préchauffer le gril pendant 5 minutes.
- Faire sauter l'oignon et l'ail dans l'huile pendant 2 minutes en remuant de temps à autre.
- Ajouter la tomate, la moitié des herbes et quelques grains de poivre. Étendre le poisson sur la préparation, puis ajouter le jus de citron et les herbes restantes.
- Couvrir et laisser cuire pendant 5 à 6 minutes.
- Mettre le poisson et les légumes dans une assiette. Si du jus a coulé dans le plateau d'égouttage, l'utiliser comme sauce à verser sur le filet.
- Servir avec du pain frais ou du riz.
- Donne 3 à 4 portions.

Coquilles d'aloïau de style polynésien

60 ml de sauce soya
2 gousses d'ail émincées
10 ml de miel
4 coquilles d'aloïau de 170 g

- Mélanger les 3 premiers ingrédients.
- Faire mariner les coquilles d'aloïau dans la préparation pendant environ une heure au réfrigérateur.
- Préchauffer le gril pendant 5 minutes.
- Placer les coquilles d'aloïau marinées sur le gril préchauffé. Fermer le couvercle.
- Laisser cuire pendant 6 minutes, ouvrir le gril et ajouter le reste de la sauce à marinade sur les coquilles. Fermer le couvercle.
- Laisser cuire pendant 1 minute, ouvrir le gril et servir sur un lit de riz.
- Donne 4 portions.

Burritos

1 petit oignon haché
2 gousses d'ail émincées
2 tasses de viande hachée, de bœuf coupé en languettes ou de poulet coupé en cubes
300 ml de sauce chili rouge en canne
4,6 g de sel
2,3 g de cannelle et cumin

- Préchauffer le gril pendant 5 minutes.
- Ajouter les oignons et l'ail et faire sauter pendant 1 minute.
- Ajouter la viande/le poulet, fermer le couvercle, et laisser cuire pendant 3 minutes ou jusqu'à ce que la viande soit bien cuite.
- Ajouter la sauce chili rouge et l'assaisonnement et remuer jusqu'à l'obtention d'un bon mélange chaud.
- Retirer du gril.
- Donne 4 burritos.

Mettre la préparation une tortilla chaude et rouler, puis garnir avec l'ingrédient de votre choix : guacamole, crème sûre, fromage jack râpé

Foire aux questions

Question	Réponse
1. Puis-je faire cuire des aliments congelés avec mon gril George Foreman^{MD}?	Il est préférable faire décongeler les aliments avant de les placer sur le gril George Foreman ^{MD} . S'assurer que le gril est préchauffé (voir les instructions de préchauffage) avant de placer des aliments sur la plaque du gril.
2. Pourquoi le témoin de fonctionnement s'allume, puis s'éteint?	Comme l'indique le guide, le témoin de fonctionnement s'allume pour indiquer que les éléments du gril chauffent. Le témoin de fonctionnement s'éteint une fois la bonne température atteinte. Le thermostat s'activera et se désactivera en alternance pendant la cuisson pour maintenir la bonne température.
3. Puis-je faire cuire des kebabs avec le gril George Foreman^{MD}?	Oui. Utiliser des brochettes en bois pour protéger la surface antiadhésive. Nous vous recommandons de faire tremper d'abord les brochettes dans l'eau pendant environ 20 minutes. Vous empêcherez ainsi les brochettes de brûler.
4. Après avoir fait cuire un aliment avec de l'ail, comment puis-je chasser l'odeur d'ail de la surface de mon gril George Foreman^{MD}?	Après avoir nettoyé le gril George Foreman ^{MD} en suivant les « Instructions d'entretien à l'intention de l'utilisateur », faire une pâte avec du bicarbonate de soude et de l'eau, puis l'étendre sur la surface du gril. Laisser la pâte sur le gril pendant quelques minutes, puis l'essuyer avec une éponge ou un linge humide.
5. Comment puis-je faire cuire des hot-dogs avec mon gril George Foreman^{MD}?	Préchauffer le gril pendant 5 minutes. Placer les hot-dogs sur le gril dans le sens de la longueur. Fermer le couvercle et laisser cuire pendant 2 ½ minutes ou jusqu'à ce que degré de grillage désiré soit atteint.

Question	Réponse
6. Puis-je faire cuire des pommes de terre rissolées avec mon gril George Foreman^{MD}?	Oui, les pommes de terre rissolées qui brunissent d'elles-mêmes peuvent être cuites avec le gril. Préchauffer le gril pendant 5 minutes. Ajouter les pommes de terre rissolées sur la surface du gril, fermer le couvercle, et laisser cuire pendant environ la moitié du temps inscrit sur l'emballage pour la cuisson au four.
7. Avez-vous d'autres suggestions culinaires?	Vous pouvez faire griller des piments frais pendant 2 à 3 minutes pour pouvoir les monder. Vous pouvez également faire des sandwiches au fromage fondant au moyen du gril George Foreman ^{MD} .

NEED HELP?

For service, repair or any questions regarding your appliance, call the appropriate 800 number on the cover of this book. **DO NOT** return the product to the place of purchase. Also, please **DO NOT** mail product back to the manufacturer, nor bring it to a service center. You may also want to consult the website listed on the cover of this manual.

Two-Year Limited Warranty

(Applies only in the United States and Canada)

What does it cover?

- Any defect in material or workmanship provided; however, Applica's liability will not exceed the purchase price of the product.

For how long?

- Two years after the date of original purchase.

What will we do to help you?

- Provide you with a reasonably similar replacement product that is either new or factory refurbished.

How do you get service?

- Save your receipt as proof of date of sale.
- Check our on-line service site at www.prodprotect.com/applica, or call our toll-free number, 1-800-231-9786, for general warranty service.
- If you need parts or accessories, please call 1-800-738-0245.

What does your warranty not cover?

- Damage from commercial use
- Damage from misuse, abuse or neglect
- Products that have been modified in any way
- Products used or serviced outside the country of purchase
- Glass parts and other accessory items that are packed with the unit
- Shipping and handling costs associated with the replacement of the unit
- Consequential or incidental damages (Please note, however, that some states do not allow the exclusion or limitation of consequential or incidental damages, so this limitation may not apply to you.)

How does state law relate to this warranty?

- This warranty gives you specific legal rights, and you may also have other rights that vary from state to state or province to province.

BESOIN D'AIDE?

Pour communiquer avec les services d'entretien ou de réparation, ou pour adresser toute question relative au produit, composer le numéro sans frais approprié indiqué sur la page couverture. **Ne pas** retourner le produit où il a été acheté. **Ne pas** poster le produit au fabricant ni le porter dans un centre de service. On peut également consulter le site web indiqué sur la page couverture.

Garantie limitée de deux ans

(Valable seulement aux États-Unis et au Canada)

Quelle est la couverture?

- Tout défaut de main-d'oeuvre ou de matériau; toutefois, la responsabilité de la société Applica se limite au prix d'achat du produit.

Quelle est la durée?

- Deux ans après l'achat original.

Quelle aide offrons nous?

- Remplacement par un produit raisonnablement semblable nouveau ou réusiné.

Comment se prévaut-on du service?

- Conserver son reçu de caisse comme preuve de la date d'achat.
- Visiter notre site web au www.prodprotect.com/applica, ou composer sans frais le 1 800 231-9786, pour obtenir des renseignements généraux relatifs à la garantie.
- On peut également communiquer avec le service des pièces et des accessoires au 1 800 738-0245.

Qu'est-ce que la garantie ne couvre pas?

- Des dommages dus à une utilisation commerciale.
- Des dommages causés par une mauvaise utilisation ou de la négligence.
- Des produits qui ont été modifiés.
- Des produits utilisés ou entretenus hors du pays où ils ont été achetés.
- Des pièces en verre et tout autre accessoire emballés avec le produit.
- Les frais de transport et de manutention reliés au remplacement du produit.
- Des dommages indirects (il faut toutefois prendre note que certains états ne permettent pas l'exclusion ni la limitation des dommages indirects).

Quelles lois régissent la garantie?

- Les modalités de la présente garantie donnent des droits légaux spécifiques. L'utilisateur peut également se prévaloir d'autres droits selon l'état ou la province qu'il habite.



2008/5-14-155E/F

Copyright © 2008 Applica Consumer Products, Inc.

Made in People's Republic of China
Printed in People's Republic of China

Fabriqué en République populaire de Chine
Imprimé en République populaire de Chine

Free Manuals Download Website

<http://myh66.com>

<http://usermanuals.us>

<http://www.somanuals.com>

<http://www.4manuals.cc>

<http://www.manual-lib.com>

<http://www.404manual.com>

<http://www.luxmanual.com>

<http://aubethermostatmanual.com>

Golf course search by state

<http://golfingnear.com>

Email search by domain

<http://emailbydomain.com>

Auto manuals search

<http://auto.somanuals.com>

TV manuals search

<http://tv.somanuals.com>