

GEORGE FOREMAN®

THE LEAN MEAN FAT REDUCING GRILLING MACHINE™

Please Read and Save this Use and Care Book

Veuillez lire et conserver ce guide d'entretien et d'utilisation



USA/Canada 1-800-231-9786

www.prodprotect.com/applica

Accessories/Parts (USA/Canada)
Accessoires/Pièces (É.-U./Canada)

1-800-738-0245



Model
Modèle

GRP72CTTSCAN

IMPORTANT SAFEGUARDS

When using electrical appliances, basic safety precautions should always be followed, including the following:

- Read all instructions.
- Do not touch hot surfaces. Use handles or knobs.
- To protect against electrical shock do not immerse cord, plugs or appliance (except removable plates) in water or other liquid.
- Close supervision is necessary when any appliance is used by or near children.
- Unplug from outlet when not in use and before cleaning. Allow to cool before putting on or taking off parts, and before cleaning the appliance.
- Do not operate any appliance with a damaged cord or plug, or after the appliance malfunctions or has been damaged in any manner. Return appliance to the nearest authorized service facility for examination, repair or adjustment. Or, call the appropriate toll-free number on the cover of this manual.
- The use of accessory attachments not recommended by the appliance manufacturer may cause injuries.
- Do not use outdoors.
- Do not let cord hang over edge of table or counter, or touch hot surfaces.
- Do not place on or near a hot gas or electric burner, or in a heated oven.
- Extreme caution must be used when moving an appliance containing hot oil or other hot liquids.
- Be sure removable plates are assembled and fastened properly.
- To disconnect, turn any control to OFF, then remove plug from wall outlet.
- Do not use this appliance for other than intended use.

SAVE THESE INSTRUCTIONS.

This product is for household use only.

GROUNDING PLUG

As a safety feature, this product is equipped with a grounded plug, which will only fit into a three-prong outlet. Do not attempt to defeat this safety feature. Improper connection of the grounding conductor may result in the risk of electric shock. Consult a qualified electrician if you are in doubt as to whether the outlet is properly grounded.

TAMPER-RESISTANT SCREW

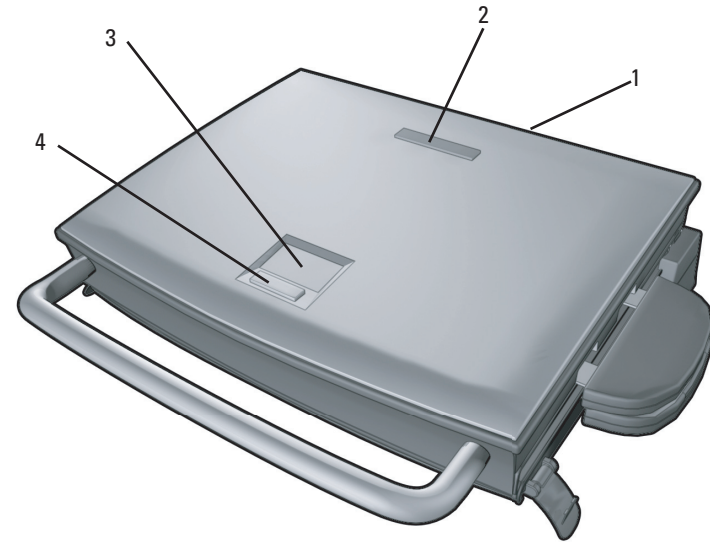
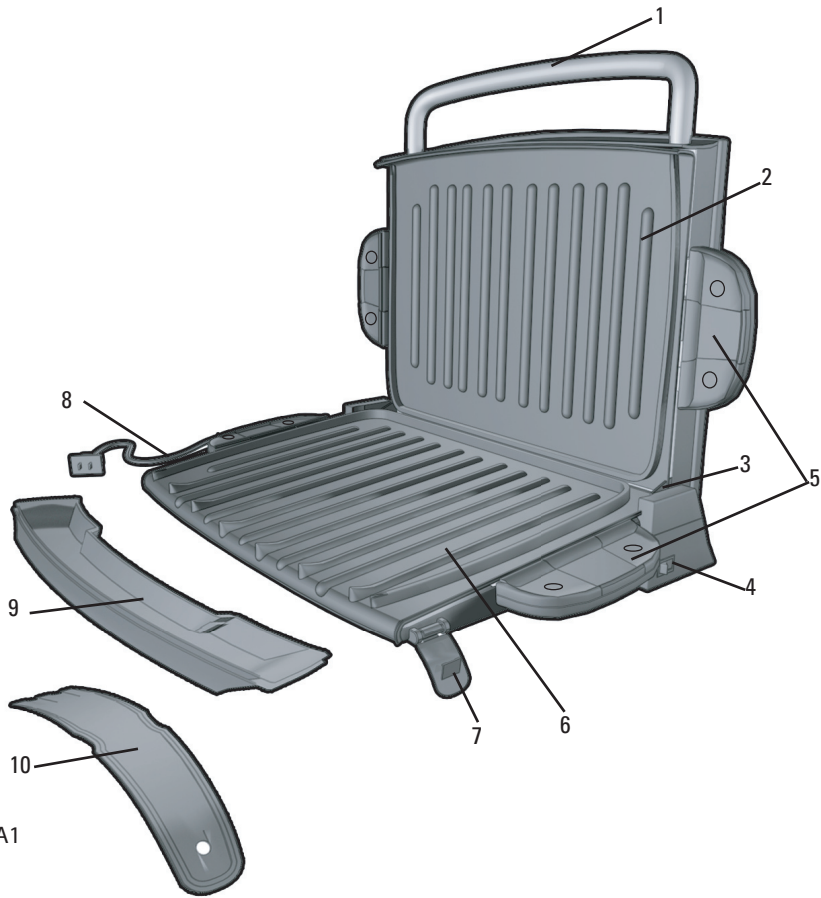
Warning: This appliance is equipped with a tamper-resistant screw to prevent removal of the outer cover. To reduce the risk of fire or electric shock, do not attempt to remove the outer cover. There are no user-serviceable parts inside. Repair should be done only by authorized service personnel.

ELECTRICAL CORD

- a) A short power-supply cord (or detachable power-supply cord) is to be provided to reduce the risk resulting from becoming entangled in or tripping over a longer cord.
- b) Longer detachable power-supply cords or extension cords are available and may be used if care is exercised in their use.
- c) If a long detachable power-supply cord or extension cord is used,
 - 1) The marked electrical rating of the detachable power-supply cord or extension cord should be at least as great as the electrical rating of the appliance,
 - 2) If the appliance is of the grounded type, the extension cord should be a grounding-type 3-wire cord, and
 - 3) The longer cord should be arranged so that it will not drape over the countertop or tabletop where it can be pulled on by children or tripped over.

Note: If the power supply cord is damaged, it should be replaced by qualified personnel. In Latin America, by an authorized service center.

Product may vary slightly from what is illustrated



A2

1. Extended metal loop carrying handle
- † 2. Removable grill plate (upper) (Part # GRP72-01)
3. Float & lock hinge
4. On/Off switch
5. Grill plate release handles (both sides)
- † 6. Removable grill plate (lower) (Part # GRP72-02)
7. Safety locking side latches (both sides)
8. Power cord
- † 9. Drip tray (Part # GRP72-03)
- † 10. Spatula (Part # GRP72-04)

Note: † indicates consumer replaceable/removable parts

1. Grill cover with safe-touch top housing
2. On indicator light
3. Digital display countdown timer
4. Timer control button

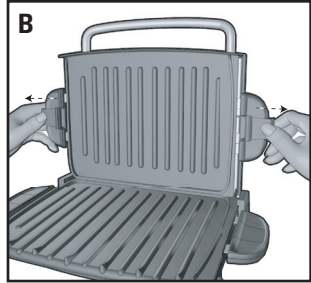
How to Use

This product is for household use only.

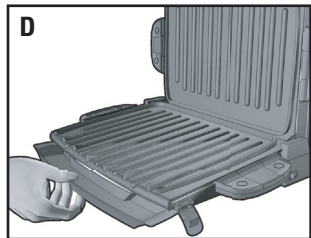
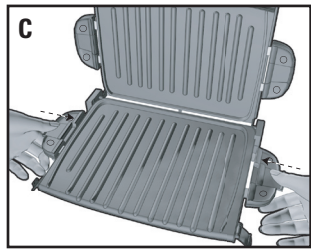
GETTING STARTED

- Remove all packing material and any stickers.
- Remove and save literature.
- Wash all removable parts as instructed in **CARE AND CLEANING** section of this manual.
- Select location where unit is to be used, leaving enough space between back of unit and wall to allow heat to flow without damage to cabinets and walls.

ATTACH THE GRILL PLATES



1. Securely attach top and bottom plates of the appliance using the grill plate release handles on each side of the plates (**B and C**).

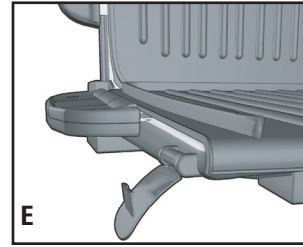


2. Place drip tray under front sloped section of the bottom plate on the grill (**D**).

Important: When attaching grill plates, be sure they are securely attached using the release handles on each side of the plates.

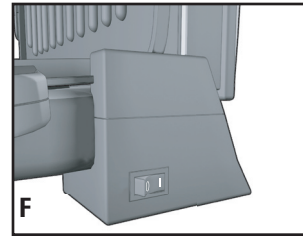
PREHEATING THE GRILL

1. Close cover on grill.



Important: Be sure locking side latches are opened fully and away from the grill plates (E).

2. Unwind cord and plug into standard electrical outlet.



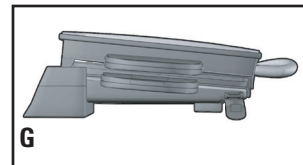
3. Press the On/Off switch on bottom right side of the grill to ON position to begin preheating (**F**).
4. Digital display located on the top of the grill will show "on".
5. Allow grill to preheat for at least 5 minutes before grilling. If desired, use the countdown timer. (Timer works independently of heating elements.)

GRILLING IN THE FLOATING HINGE POSITION

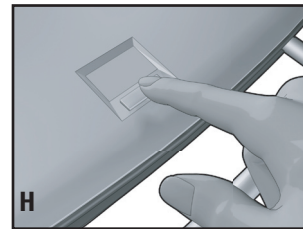
The floating hinge position allows for grilling extra thick foods. In this position, the upper grill plate rests on top of the food.

1. Using a pot holder, carefully open the preheated grill.
2. Before first use, lightly oil both grill plates, if desired.
3. Carefully place foods to be cooked on lower grill plate of preheated grill. This grill model usually accommodates 2 to 4 servings.

Note: Do not overload the cooking plate.



4. Close grill cover in **Floating Hinge** position (**G**) with the cover closing directly onto the food.



5. Press timer control button (**H**) to select desired amount of time food will cook. Timer has a maximum of 20 minutes.

Note: Use suggested cooking times found in the **GRILLING CHART** on pages 8-10.

6. Tap the timer control button on right side of button to change the time in 1-minute increments. Press button on left side to have timer change rapidly.

7. Timer only goes up in time. If you have passed your desired time, simply depress button on left side and allow timer to cycle back.

8. Allow food to cook for the selected time.

Important: Do not leave the appliance unattended during use.

9. **Light pressure** can be used on the handle to press and heat food to your liking. This feature is especially handy when preparing grilled sandwiches and grilling thick pieces of meat and poultry.

Important: Do not exert excessive pressure when using handle to press; use only light pressure to avoid putting extreme stress on float & lock hinge.

10. During cooking, digital display will count down your selected time. When selected time has elapsed, the grill will give an audible signal.
11. After selected time, the food should be done. If you would prefer longer cooking, simply follow the steps in this section beginning at step 4.
12. Using a pot holder, carefully open the grill cover.
13. Remove cooked food using plastic spatula provided.

Note: Always use heatproof plastic, nylon or wood utensils to avoid scratching nonstick surface of grill plates. Never use metal skewers, tongs, forks or knives.

14. Press On/Off switch to turn grill off.

Caution: To avoid sparks at outlet while disconnecting plug, make sure power is off before disconnecting plug from outlet.

Important: Heating elements will continue to be ON until the On/Off switch is pressed or the appliance is unplugged.

15. Allow the drip tray to cool before removing it from under the grill. Wash and dry the drip tray after each use.

Caution: Do not remove grill plates while appliance is hot. Always allow them to cool to room temperature before removing or cleaning.

SUGGESTED GRILLING CHART FOR MEATS, POULTRY, FISH AND SANDWICHES

The following are meant to be used as a guideline only. Times reflect a full grill of food. Cooking time will depend upon thickness and cut being used. Use a cooking thermometer as a test for doneness. If food needs longer cooking, check periodically to avoid overcooking food.

FOOD	COOKING TIME	COMMENTS
MEAT		
Hamburger (5 oz.)	4 – 6 minutes	¾-inch thick Cooked to medium (160°F)
Frozen hamburgers (5 oz.)	5 – 6 minutes	Cooked to medium (160°F)
Flank steak (¾ lb.)	6 – 8 minutes	¾-inch thick Cooked to medium rare (145°F)
Skirt steak (½ lb.)	4 – 6 minutes	Cooked to medium (160°F)
NY strip steak (shell steak) (6 oz.)	6 – 8 minutes	¾-inch thick Cooked to medium rare (145°F)
Beef tenderloin (5 oz.)	4 – 6 minutes	¾-inch thick Cooked to medium rare (145°F)

Beef kabobs	5 – 7 minutes	Cooked to medium (160°F)
Pork loin chops, boneless	4 – 6 minutes	¾-inch thick Cooked to 160°F
Pork loin chops, bone in	4 – 6 minutes	½ -inch thick Cooked to 160°F
Sausage, link or patty	4 – 6 minutes	Cooked to 160°F
Hot dogs	4 – 5 minutes	Cooked to 168°F
Bacon	6 – 8 minutes	
Smoked pork loin chops, boneless	4 – 6 minutes	Cooked to 160°F
Lamb chops, loin	5 – 7 minutes	¾-inch thick Cooked to medium (160°F)
POULTRY		
Chicken breast, boneless and skinless (8 oz.)	11 – 13 minutes	Cooked to 170°F
Chicken tenderloins (4 to 6 pieces)	4 – 6 minutes	Cooked to 170°F
Turkey tenderloin (¾ lb.)	9 – 11 minutes	Cooked to 170°F
Turkey burgers (5 oz.)	4 – 6 minutes	Cooked to 170°F
FISH		
Tilapia fillets (6 oz., ea.)	5 – 7 minutes	Cooked to 145°F
Trout fillet (6 oz.)	4 – 6 minutes	Cooked to 145°F
Salmon fillet (8 oz. piece)	5 – 7 minutes	Cooked to 145°F
Salmon steak (8 oz.)	7 – 9 minutes	Cooked to 145°F
Tuna steak (6 oz.)	4 – 6 minutes	Cooked to 145°F
Shrimp	3 – 4 minutes	Cooked to 145°F
SANDWICHES		
Grilled cheese	2 – 3 minutes	Cook until cheese is melted and sandwich is golden
Grilled cheese with tomato, tuna, ham or bacon	3 – 4 minutes	Cook until cheese is melted and sandwich is golden
Quesadillas	2 – 3 minutes	Cook until cheese is melted and tortilla is lightly browned

Please note: To be sure your food is fully cooked the USDA recommends the following guidelines. Use a meat thermometer to test for doneness by inserting the meat thermometer into the center of the food being cooked and make sure the thermometer is not touching the bone.

FOOD TO BE COOKED	MEDIUM		WELL DONE OR FULLY COOKED	
Chicken Breast			170°F	77°C
Chicken Thigh			180°F	82°C
Beef / Lamb/Veal	160°F	71°F	170°F	77°C
Pork			160°F	71°F
Reheated cooked meats and poultry			165°F	

GRILLING FRUITS AND VEGETABLES

The following are meant to be used as a guideline only. The times reflect a full grill of food. Cooking time will depend upon thickness of food. Use a fork inserted into the center of the food to test for doneness. (Be careful not to touch the grill plate.) If the food needs longer cooking, check periodically to avoid overcooking the food.

FOOD	GRILLING TIME
Asparagus spears	4 – 6 minutes
Bell peppers, assorted colors cut into ½-inch rings	5 – 7 minutes
Mushrooms, thickly sliced	4 – 5 minutes
Onion slices, ½-inch	5 – 7 minutes
Potato slices, ½-inch	15 – 18 minutes
Portabella mushrooms, 3-inch diameter	4 – 6 minutes
Zucchini slices, ½-inch	3 – 4 minutes
Fresh pineapple slices, ½-inch	2 – 4 minutes

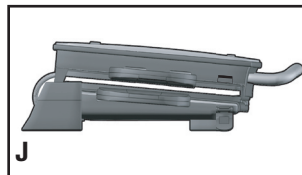
GRILLING TIPS:

- To prevent heat loss and promote even cooking, do not open the grill cover frequently while cooking.
- Do not overfill grill; it will hold 2 to 4 servings comfortably.
- When first cooking a particular food, check for doneness several minutes before suggested time; if necessary, adjust timer using control button.
- If cooking more than one piece of food, try to have them similar in size and thickness.
- Remember that since grill is cooking from both sides, cooking time will typically be shorter than expected. Watch carefully to avoid overcooking.
- For added flavor, add dry seasonings before grilling or marinate foods before cooking.

USING THE LOCKING HINGE POSITION

This feature keeps upper grill plate above food on lower grill plate.

1. This grill has a unique hinge that allows the grill cover to adjust to the thickness of food being grilled. This allows for even melting of cheese on top of hot cooked hamburgers.
2. If the grill is not hot, preheat grill following directions under PREHEATING THE GRILL.
3. Lift handle of the grill cover up and forward into the locking position of float & lock hinge.



4. Lower the grill cover into the BROILING position above the food (J).
5. Allow food to cook for desired time.
6. For even browning and cooking, when grilling more than one sandwich or piece of meat, it is important that the thickness of each be about the same.

CARE AND CLEANING

CLEANING

Caution: To avoid accidental burns, allow grill to cool thoroughly before cleaning.

1. Before cleaning, unplug grill from wall outlet and allow to cool.

Caution: To avoid sparks at outlet while disconnecting plug, make sure power is off before disconnecting the plug from the outlet.

Important: Heating elements will continue to be ON until the On/Off switch is pressed or the appliance is unplugged.

2. Place drip tray under front of grill (see illustration D). Use plastic spatula to scrape off any excess fat and food particles left on the grill plates; runoff will drip into the drip tray. Wipe plates dry with a paper towel or sponge to avoid grease dripping onto your counter when plates are removed.
3. Remove plates as instructed in HOW TO USE (see illustrations B and C). To clean grill plates, wash in warm, soapy water; dry thoroughly with a paper towel.
4. Empty drip tray and wash in warm, soapy water; dry thoroughly with a paper towel.
5. Reinstall grill plates (see illustrations B and C), making sure they are securely attached to grill body.

Note: Removable grill plates are also dishwasher-safe. If washing grill plates in a dishwasher, wipe uncoated side with a dry towel to prevent discoloration. Dishwasher detergent may cause oxidation on uncoated side of grill plate. This is not harmful and can be wiped off with a damp towel.

6. To remove stubborn buildup, use a nylon or nonmetallic scrubbing pad to clean the grill plates.

Important: Do not use metallic scrubbing pads, steel wool or any abrasive cleaners to clean any part of your grill; use only nylon or nonmetallic scrubbing pads.

7. To clean the grill cover, wipe with a warm, wet sponge and dry with a soft, dry cloth.

Important: Do not immerse body of grill in water or any other liquid.

8. Any servicing requiring disassembly other than the above cleaning must be performed by a qualified electrician.

Caution: Make sure to hold grill cover by the handle while cleaning to prevent accidental closing and injury.

STORAGE

- Always make sure grill is clean and dry before storing.
- Be sure locking side latches are fully closed and locked before storing grill. This allows you to store the grill vertically.

TROUBLESHOOTING

PROBLEM	POSSIBLE CAUSE	SOLUTION
Finish on grill plates has cut marks.	Metal utensils have been used.	Always use heatproof plastic, nylon or wood utensils to avoid scratching nonstick surface of grill plates. Never use metal skewers, tongs, forks or knives.
Grill marks on food are very light.	Grill was not fully preheated before use.	Always preheat grill at least 5 minutes before cooking any foods.
There is food buildup on grill plates.	Grill not properly cleaned after use.	Use nylon scrubbing pad and hot, soapy water to clean grill plates. Do not use steel wool scrubbing pads or abrasive cleaners to clean grill.
Food is dry and burnt.	Food is over-cooked.	Because grill is cooking from both sides, food is cooked much faster than in a skillet or under a broiler. Use cooking chart as a guide and check food at lowest time stated on chart.
Grill does not turn on.	Grill is not plugged in.	Check to be sure appliance is plugged into working outlet and On/Off switch in the ON position.

IMPORTANTES CONSIGNES DE SÉCURITÉ

Lorsqu'on utilise des appareils électriques, il faut toujours respecter certaines règles de sécurité fondamentales, notamment les suivantes :

- Lire toutes les directives.
- Ne pas toucher aux surfaces chaudes; utiliser les poignées et les boutons.
- Afin d'éviter les risques de choc électrique, ne pas immerger le cordon, la fiche ou l'appareil (sauf les plaques amovibles) dans l'eau ou tout autre liquide.
- Exercer une étroite surveillance lorsque l'appareil est utilisé par un enfant ou près d'un enfant.
- Débrancher l'appareil lorsqu'il ne sert pas ou avant de le nettoyer. **Laisser** l'appareil refroidir avant d'y placer ou d'en retirer des composantes, et de le nettoyer.
- Ne pas utiliser un appareil dont la fiche ou le cordon est abîmé, qui fonctionne mal ou qui a été endommagé de quelque façon que ce soit. Pour un examen, une réparation ou un réglage, rapporter l'appareil à un centre de service autorisé. **Ou composer le numéro sans frais inscrit sur la page couverture du présent guide.**
- L'utilisation d'accessoires non recommandés par le fabricant de l'appareil peut occasionner des blessures.
- Ne pas utiliser l'appareil à l'extérieur.
- Ne pas laisser pendre le cordon sur le bord d'une table ou d'un comptoir ni le laisser entrer en contact avec une surface chaude.
- Ne pas placer l'appareil sur le dessus ou près d'un élément chauffant électrique ou à gaz ni dans un four **chaud**.
- Faire preuve de grande prudence pour déplacer un appareil contenant de l'huile brûlante ou autre liquide chaud.
- S'assurer que les plaques amovibles sont correctement montées et fixées.
- Pour débrancher l'appareil, placer toutes les commandes à la position « off » (arrêt) et retirer la fiche de la prise.
- Utiliser l'appareil uniquement aux fins pour lesquelles il a été conçu.

CONSERVER CES INSTRUCTIONS.

L'appareil est conçu pour une utilisation domestique seulement.

FICHE MISE À LA TERRE

Par mesure de sécurité, le produit comporte une fiche mise à la terre qui n'entre que dans une prise à trois trous. Il ne faut pas neutraliser ce dispositif de sécurité. La mauvaise connexion du conducteur de terre présente des risques de secousses électriques. Communiquer avec un électricien certifié lorsqu'on se demande si la prise est bien mise à la terre.

VIS INDESSERRABLE

Avertissement : L'appareil est doté d'une vis indesserrable empêchant l'enlèvement du couvercle extérieur. Pour réduire les risques d'incendie ou de secousses électriques, ne pas tenter de retirer le couvercle extérieur. L'utilisateur ne peut pas remplacer les pièces de l'appareil. En confier la réparation seulement au personnel des centres de service autorisés.

CORDON

- a) Le cordon d'alimentation de l'appareil est court (ou amovible) afin de minimiser les risques d'enchevêtrement ou de trébuchement.
- b) Il existe des cordons d'alimentation amovibles ou de rallonge plus longs et il faut s'en servir avec prudence.
- c) Lorsqu'on utilise un cordon d'alimentation amovible ou de rallonge plus long, il faut s'assurer que :
 - 1) La tension nominale du cordon d'alimentation amovible ou de rallonge soit au moins égale à celle de l'appareil, et que;
 - 2) Lorsque l'appareil est de type mis à la terre, il faut utiliser un cordon de rallonge mis à la terre à trois broches, et;
 - 3) Le cordon plus long soit placé de sorte qu'il ne soit pas étalé sur le comptoir ou la table d'où des enfants pourraient le tirer, ni placé de manière à provoquer un trébuchement.

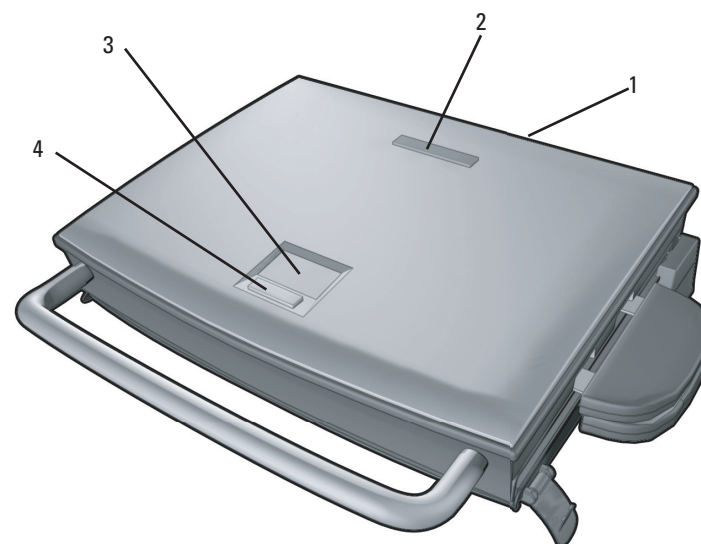
Note : Lorsque le cordon d'alimentation est endommagé, il faut le faire remplacer par du personnel qualifié ou, en Amérique latine, par le personnel d'un centre de service autorisé.

Le produit peut différer légèrement de celui illustré.



1. Poignée de transport métallique en boucle allongée
- † 2. Plaque supérieure amovible du grill (n° de pièce : GRP72-01)
3. Charnière flottante et verrouillable
4. Interrupteur marche/arrêt (On/Off)
5. Poignées de dégagement des plaques du grill (sur les deux côtés)
- † 6. Plaque inférieure amovible du grill (n° de pièce : GRP72-02)
7. Verrous de sûreté latéraux (sur les deux côtés)
8. Cordon d'alimentation
- † 9. Plateau d'égouttage (n° de pièce : GRP72-03)
- † 10. Spatule (n° de pièce : GRP72-04)

Remarque : † indique que la pièce est remplaçable par l'utilisateur/amovible



1. Couvercle du grill sécuritaire au toucher
2. Témoin de fonctionnement
3. Minuterie à écran numérique
4. Bouton de commande de la minuterie

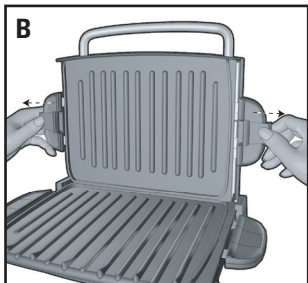
Utilisation

Cet appareil est conçu pour un usage domestique seulement.

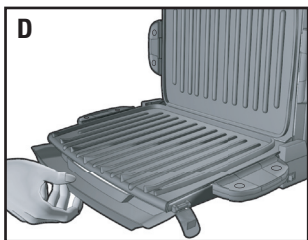
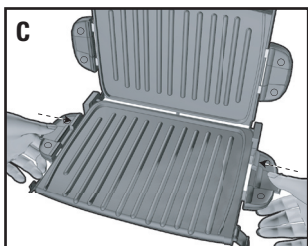
POUR COMMENCER

- Retirer tous les matériaux d'emballage et les étiquettes.
- Retirer et conserver la documentation.
- Laver toutes les pièces amovibles tel qu'il est indiqué à la section **ENTRETIEN ET NETTOYAGE** de ce guide.
- Choisir un endroit où placer l'appareil en laissant suffisamment d'espace entre l'arrière et le dessus de l'appareil et le mur pour permettre à la chaleur de circuler sans endommager les armoires ou les murs.

FIXATION DES PLAQUES DU GRIL

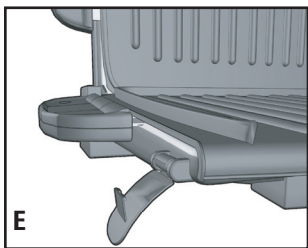


1. Fixer solidement les plaques supérieure et inférieure de l'appareil, à l'aide des poignées de dégagement situées de chaque côté des plaques (**B et C**) du grill.



2. Placer le plateau d'égouttage sous la section avant inclinée de la plaque inférieure du grill (**D**).

Important : S'assurer de bien fixer les plaques du grill à l'aide des poignées de dégagement situées de chaque côté des plaques.

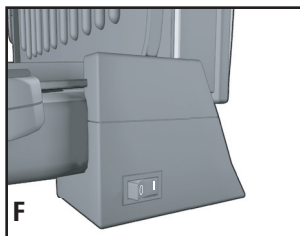


PRÉCHAUFFAGE DU GRIL

1. Fermer le couvercle du grill

Important : S'assurer que les verrous de sûreté latéraux sont complètement ouverts et loin des plaques du grill (E).

2. Dérouler le cordon d'alimentation et le brancher dans une prise de courant standard.



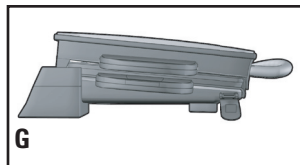
3. Appuyer sur l'interrupteur marche/arrêt (On/Off), situé du côté inférieur droit du grill, en position **MARCHE (On)** pour démarrer le préchauffage (**F**).
4. L'écran numérique, situé sur le dessus du grill, indiquera « on » (marche).
5. Préchauffer le grill pendant au moins 5 minutes avant de commencer la cuisson. Utiliser la minuterie au besoin. (La minuterie fonctionne indépendamment des éléments chauffants.)

UTILISATION DE LA CHARNIÈRE FLOTTANTE :

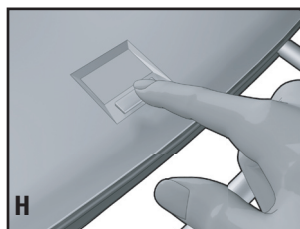
La charnière flottante permet de griller les aliments très épais. Dans cette position, le grill supérieur repose sur le dessus des aliments.

1. Ouvrir le grill préchauffé avec précaution à l'aide d'un gant de cuisine.
2. Huiler légèrement les plaques avant la première utilisation, au besoin.
3. Placer prudemment les aliments à cuire sur la plaque inférieure du grill préchauffé. Le grill a une capacité d'environ 2 à 4 portions.

Nota: Ne pas surcharger la plaque de cuisson.



4. Fermer le couvercle du grill en position **charnière flottante (G)**, en l'appuyant directement sur les aliments.



5. Appuyer sur le bouton de commande de la minuterie (**H**) pour régler le temps de cuisson des aliments. La minuterie a une capacité maximale de 20 minutes.

Utiliser les temps de cuisson suggérés dans le **TABLEAU DE CUISSON** à la page 19.

6. Appuyer sur le bouton de commande droit de la minuterie pour modifier le temps par tranche de une minute. Appuyer sur le bouton de gauche pour modifier la minuterie rapidement.

7. La minuterie peut seulement augmenter. Si le temps désiré est dépassé, appuyer simplement sur le bouton de gauche et laisser la minuterie revenir au début du cycle.
8. Laisser cuire les aliments le temps désiré.

Important : Ne pas laisser l'appareil sans surveillance pendant son utilisation.

9. Une **pression légère** peut être appliquée sur la poignée pour presser et chauffer les aliments à votre façon. Cette méthode est particulièrement pratique pour la préparation de sandwichs grillés et la cuisson de pièces de viande ou de volaille épaisses.

Important : Ne pas exercer une pression trop forte sur la poignée. Exercer seulement une pression légère pour éviter de trop solliciter la charnière flottante et verrouillable.

10. Pendant la cuisson, la minuterie numérique affiche le décompte du temps réglé. Lorsque le temps est écoulé, le grill émet un signal sonore.
11. À la fin du temps réglé, les aliments devraient être cuits. Pour prolonger le temps de cuisson, suivre les instructions de cette section en débutant à l'étape 4.

12. Ouvrir le couvercle du gril avec précaution à l'aide d'un gant de cuisine.

13. Retirer les aliments cuits à l'aide de la spatule en plastique fournie.

Nota : Toujours utiliser des ustensiles résistants à la chaleur en plastique, en nylon ou en bois, pour éviter d'égratigner la surface antiadhésive des plaques. Ne jamais utiliser de broches, de pinces, de fourchettes ou de couteaux métalliques.

14. Appuyer sur l'interrupteur marche/arrêt (On/Off) pour éteindre le gril.

Mise en garde : Pour éviter que la prise de courant produise des étincelles au moment du débranchement, s'assurer que le gril est hors tension avant de le débrancher.

Important : Les éléments chauffants continuent à fonctionner jusqu'à ce qu'on appuie sur l'interrupteur marche/arrêt (On/Off) ou que l'on débranche l'appareil.

15. Laisser le plateau d'égouttage refroidir avant de le retirer de sous le gril. Laver et sécher le plateau d'égouttage après chaque utilisation.

Mise en garde : Ne pas retirer les plaques du gril lorsque l'appareil est chaud. Toujours laisser les plaques du gril refroidir à la température ambiante avant de les retirer ou de les nettoyer.

TABLEAU DE CUISSON SUGGÉRÉE POUR LE GRILLAGE DES VIANDES, DE LA VOLAILLE, DU POISSON ET DES SANDWICHES

Les temps de cuisson suivants sont fournis uniquement à titre indicatif, pour une cuisson complète. Ils varieront selon la coupe ou l'épaisseur de l'aliment à cuire. Pour s'assurer que l'aliment est bien cuit, utiliser un thermomètre à cuisson. Si l'aliment doit cuire plus longtemps, le replacer sur le gril et le vérifier régulièrement pour éviter qu'il ne soit trop cuit.

ALIMENT	TEMPS DE CUISSON	COMMENTAIRES
VIANDE		
Hamburger (142 g)	4 à 6 minutes	Épaisseur de 19 mm Cuisson à point (71 °C)
Hamburgers surgelés (142 g)	5 à 6 minutes	Cuisson à point (71 °C)
Bavette à bifteck (340 g)	6 à 8 minutes	Épaisseur de 19 mm Cuisson mi-saignant (63 °C) Cuisson à point (71 °C)
Bifteck de hampe (227 g)	4 à 6 minutes	
Coquille d'ail (170 g)	6 à 8 minutes	Épaisseur de 19 mm Cuisson mi-saignant (63 °C)
Filet mignon (142 g)	4 à 6 minutes	Épaisseur de 19 mm Cuisson mi-saignant (63 °C)
Kebabs de bœuf	5 à 7 minutes	Cuisson à point (71 °C)
Côtelette de filet de porc désossée	4 à 6 minutes	Épaisseur de 19 mm Cuisson à 71 °C
Côtelette de filet de porc non désossée	4 à 6 minutes	Épaisseur de 13 mm Cuisson à 71 °C

Saucisse en chapelet ou en boulette	4 à 6 minutes	Cuisson à 71 °C
Hot-dogs	4 à 5 minutes	Cuisson à 76 °C
Bacon	6 à 8 minutes	
Côtelette de filet de porc fumé désossée	4 à 6 minutes	Cuisson à 71 °C
Côtelette de filet d'agneau	5 à 7 minutes	Épaisseur de 19 mm Cuisson à point (71 °C)
VOLAILLE		
Poitrine de poulet désossée, sans peau (227 g)	11 à 13 minutes	Cuisson à 77 °C
Filets de poulet (4 à 6 morceaux)	4 à 6 minutes	Cuisson à 77 °C
Filets de dinde (340 g)	9 à 11 minutes	Cuisson à 77 °C
Hamburgers à la dinde (142 g)	4 à 6 minutes	Cuisson à 77 °C
POISSON		
Filets de tilapia (170 g, chacun)	5 à 7 minutes	Cuisson à 63 °C
Filet de truite (170 g)	4 à 6 minutes	Cuisson à 63 °C
Filet de saumon (morceau de 227 g)	5 à 7 minutes	Cuisson à 63 °C
Darne de saumon (227 g)	7 à 9 minutes	Cuisson à 63 °C
Darne de thon (170 g)	4 à 6 minutes	Cuisson à 63 °C
Crevettes	3 à 4 minutes	Cuisson à 63 °C
SANDWICHES		
Sandwich grillé au fromage	2 à 3 minutes	Cuire jusqu'à ce que le fromage soit fondu et que le sandwich soit doré
Sandwich grillé au fromage avec tomates et thon, jambon ou bacon	3 à 4 minutes	Cuire jusqu'à ce que le fromage soit fondu et que le sandwich soit doré
Quesadillas	2 à 3 minutes	Cuire jusqu'à ce que le fromage soit fondu et que le tortilla soit doré

Nota : Pour assurer la cuisson complète des aliments, le United States Department of Agriculture (ministère américain de l'Agriculture) recommande que la viande et la volaille soient cuites aux températures internes suivantes. Pour s'assurer que la viande est bien cuite, utiliser un thermomètre à cuisson et l'insérer au centre du morceau de viande, en s'assurant qu'il ne touche pas à l'os.

ALIMENT À CUIRE	À POINT		BIEN CUIT OU COMPLÈTEMENT CUIT	
Poitrine de poulet			170 °F	77 °C
Cuisse de poulet			180 °F	82 °C
Bœuf / agneau / veau	160 °F	71 °C	170 °F	77 °C
Porc			160 °F	71 °C
Viandes et volailles cuites, réchauffées			165 °F	74 °C

GRILLAGE DE FRUITS ET DE LÉGUMES

Les temps de cuisson suivants sont fournis uniquement à titre indicatif, pour une cuisson complète. Ils varieront selon l'épaisseur de l'aliment à cuire. Pour s'assurer que l'aliment est bien cuit, insérer une fourchette au centre de l'aliment (s'assurer de ne pas toucher la plaque du gril). Si l'aliment doit cuire plus longtemps, le vérifier régulièrement pour éviter de trop le cuire.

ALIMENT	TEMPS DE CUISSON
Pointes d'asperge	4 à 6 minutes
Poivrons de couleurs variées, coupés en rondelles de 13 mm	5 à 7 minutes
Champignons tranchés épais	4 à 5 minutes
Oignon en tranches de 13 mm	5 à 7 minutes
Pommes de terre en tranches de 13 mm	15 à 18 minutes
Champignons portobellos de 76 mm de diamètre	4 à 6 minutes
Courgettes en tranches de 13 mm	3 à 4 minutes
Ananas en tranches de 13 mm	2 à 4 minutes

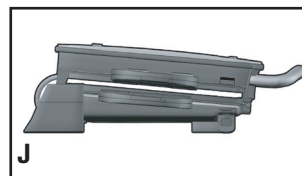
CONSEILS POUR LE GRILLAGE

- Pour éviter la perte de chaleur et favoriser la cuisson uniforme, ne pas ouvrir le couvercle du gril souvent pendant la cuisson.
- Ne pas surcharger le gril; il est conçu pour cuire facilement de 2 à 4 portions.
- Lors de la cuisson d'un aliment pour la première fois, vérifier l'état de la cuisson plusieurs minutes avant la fin du temps de cuisson suggéré.
- Pour la cuisson de plusieurs morceaux d'aliments, favoriser des morceaux d'une taille et d'une épaisseur similaires.
- Comme la cuisson s'effectue des deux côtés, se rappeler que le temps de cuisson sera habituellement plus court que prévu. Surveiller de près pour éviter de trop cuire.
- Pour rehausser le goût, ajouter des épices sèches avant le grillage ou mariner les aliments avant de les cuire.

UTILISATION DE LA CHARNIÈRE VERROUILLABLE

Cette fonction maintient la plaque supérieure du gril au-dessus des aliments.

1. Ce gril possède une charnière unique qui permet de régler le couvercle selon l'épaisseur des aliments grillés. Cela permet de faire fondre du fromage de façon uniforme sur les hamburgers chauds.
2. Si le gril n'est pas chaud, le préchauffer en suivant les instructions de la section PRÉCHAUFFAGE DU GRIL.
3. Lever la poignée du couvercle du gril et la pousser vers l'avant, jusqu'à ce que la charnière flottante et verrouillable bloque le couvercle en place.



4. Abaisser le couvercle du gril en position GRILLAGE au-dessus des aliments (J).
5. Cuire les aliments le temps désiré.
6. Pour griller et cuire uniformément plusieurs sandwiches ou morceaux de viande, il est important que l'épaisseur de chaque morceau soit semblable.

Entretien et nettoyage

CLEANING

Mise en garde : Pour éviter les brûlures accidentelles, laisser refroidir le gril complètement avant de le nettoyer.

1. Avant de nettoyer le gril, le débrancher de la prise de courant et le laisser refroidir.

Mise en garde : Pour éviter toute étincelle à proximité de la prise au moment du débranchement, s'assurer que l'appareil est arrêté avant de débrancher le cordon de la prise de courant.

2. Placer le plateau d'égouttage sous l'avant de l'appareil (voir l'image D). À l'aide de la spatule en plastique, gratter toute particule de graisse ou d'aliments qui reste. L'excédent s'écoulera dans le plateau d'égouttage. Essuyer les plaques à l'aide de papier absorbant ou d'une éponge pour éviter que la graisse tombe sur le comptoir lors du retrait des plaques.
3. Retirer les plaques tel qu'il est indiqué dans la section UTILISATION (voir les images B et C). Laver les plaques avec de l'eau tiède savonneuse et bien les assécher à l'aide d'une serviette en papier.

4. Vider le plateau d'égouttage et le nettoyer avec de l'eau tiède savonneuse et bien l'assécher à l'aide d'une serviette en papier.

5. Réinstaller les plaques du gril (**voir les images B et C**) en s'assurant qu'elles sont solidement fixées à l'appareil.

Nota : Les plaques du gril amovibles vont aussi au lave-vaisselle. Après avoir lavé les plaques au lave-vaisselle, essuyer le côté sans revêtement avec un linge sec pour prévenir la décoloration. En effet, les détergents pour lave-vaisselle peuvent causer de l'oxydation sur le côté sans revêtement des plaques de cuisson. Ce phénomène n'est pas néfaste et les traces d'oxydation peuvent être essuyées avec un linge humide

6. Pour nettoyer les résidus tenaces sur les plaques du gril, utiliser un tampon à récurer en nylon ou non métallique.

Important : Ne pas utiliser de tampons à récurer métalliques, en laine d'acier ou tout autre nettoyant abrasif pour nettoyer n'importe quelle partie du gril. Utiliser seulement des tampons à récurer en nylon ou non métalliques.

7. Pour nettoyer le couvercle du gril, l'essuyer avec une éponge humidifiée à l'eau tiède, et sécher avec un linge doux et sec

Important : Ne pas immerger l'appareil dans l'eau ou dans un autre liquide

8. Tout entretien, autre que le nettoyage ci dessus, requérant un démontage doit être effectué par un électricien qualifié

Mise en garde : S'assurer de maintenir la partie supérieure (couvercle) du gril par la poignée pendant le nettoyage pour éviter tout risque de fermeture accidentelle et de blessure.

RANGEMENT

- S'assurer que le gril est toujours propre et sec avant de le ranger.
- S'assurer que les verrous de sûreté latéraux sont fermés complètement et verrouillés avant de ranger le gril. Cela permet de ranger le gril à la verticale

DÉPANNAGE

PROBLÈME	CAUSE POSSIBLE	SOLUTION
Le fini des plaques du gril porte des marques de couteau.	Des ustensiles en métal ont été utilisés.	Toujours utiliser des ustensiles résistants à la chaleur en plastique, en nylon ou en bois, pour éviter d'égratigner les surfaces antiadhésives des plaques du gril. Ne jamais utiliser de broches, de pinces, de fourchettes ou de couteaux métalliques.
Les marques de grillage sur les aliments sont très pâles.	Le gril n'a pas été préchauffé complètement avant l'utilisation.	Toujours préchauffer le gril 5 minutes avant d'y cuire des aliments.
Il y a des résidus d'aliments sur les plaques du gril.	Le gril n'est pas nettoyé correctement après l'utilisation.	Utiliser un tampon à récurer en nylon avec de l'eau chaude savonneuse pour nettoyer les plaques du gril. Ne pas utiliser de tampons à récurer en laine d'acier ou d'autres nettoyants abrasifs pour nettoyer le gril.
Les aliments sont secs et brûlés.	Les aliments sont trop cuits.	Comme la cuisson s'effectue des deux côtés, la cuisson sera plus rapide que dans une poêle ou une rôtissoire. Utiliser le tableau de cuisson comme référence et vérifier la cuisson au temps indiqué le plus court.
Le gril ne se met pas en marche.	Le gril n'est pas branché.	S'assurer que l'appareil est branché à une prise de courant fonctionnelle et que l'interrupteur marche/arrêt (On/Off) est en position MARCHE.

NEED HELP?

For service, repair or any questions regarding your appliance, call the appropriate 800 number on the cover of this book. **DO NOT** return the product to the place of purchase. Also, please **DO NOT** mail product back to the manufacturer, nor bring it to a service center. You may also want to consult the website listed on the cover of this manual.

Two-Year Limited Warranty (Applies only in the United States and Canada)

What does it cover?

- Any defect in material or workmanship provided; however, Applica's liability will not exceed the purchase price of the product.

For how long?

- Two years after the date of original purchase.

What will we do to help you?

- Provide you with a reasonably similar replacement product that is either new or factory refurbished.

How do you get service?

- Save your receipt as proof of date of sale.
- Check our on-line service site at www.prodprotect.com/applica, or call our toll-free number, 1-800-231-9786, for general warranty service.
- If you need parts or accessories, please call 1-800-738-0245.

What does your warranty not cover?

- Damage from commercial use
- Damage from misuse, abuse or neglect
- Products that have been modified in any way
- Products used or serviced outside the country of purchase
- Glass parts and other accessory items that are packed with the unit
- Shipping and handling costs associated with the replacement of the unit
- Consequential or incidental damages (Please note, however, that some states do not allow the exclusion or limitation of consequential or incidental damages, so this limitation may not apply to you.)

How does state law relate to this warranty?

- This warranty gives you specific legal rights, and you may also have other rights that vary from state to state or province to province.

BESOIN D'AIDE?

Pour communiquer avec les services d'entretien ou de réparation, ou pour adresser toute question relative au produit, composer le numéro sans frais approprié indiqué sur la page couverture. **Ne pas** retourner le produit où il a été acheté. **Ne pas** poster le produit au fabricant ni le porter dans un centre de service. On peut également consulter le site web indiqué sur la page couverture.

Garantie limitée de deux ans (Valable seulement aux États-Unis et au Canada)

Quelle est la couverture?

- Tout défaut de main-d'oeuvre ou de matériau; toutefois, la responsabilité de la société Applica se limite au prix d'achat du produit.

Quelle est la durée?

- Deux ans après l'achat original.

Quelle aide offrons nous?

- Remplacement par un produit raisonnablement semblable nouveau ou réusiné.

Comment se prévaut-on du service?

- Conserver son reçu de caisse comme preuve de la date d'achat.
- Visiter notre site web au www.prodprotect.com/applica, ou composer sans frais le 1 800 231-9786, pour obtenir des renseignements généraux relatifs à la garantie.
- On peut également communiquer avec le service des pièces et des accessoires au 1 800 738-0245.

Qu'est-ce que la garantie ne couvre pas?

- Des dommages dus à une utilisation commerciale.
- Des dommages causés par une mauvaise utilisation ou de la négligence.
- Des produits qui ont été modifiés.
- Des produits utilisés ou entretenus hors du pays où ils ont été achetés.
- Des pièces en verre et tout autre accessoire emballés avec le produit.
- Les frais de transport et de manutention reliés au remplacement du produit.
- Des dommages indirects (il faut toutefois prendre note que certains états ne permettent pas l'exclusion ni la limitation des dommages indirects).

Quelles lois régissent la garantie?

- Les modalités de la présente garantie donnent des droits légaux spécifiques. L'utilisateur peut également se prévaloir d'autres droits selon l'état ou la province qu'il habite.



2008/7-25-102E/F

Copyright © 2008 Applica Consumer Products, Inc.

Made in People's Republic of China
Printed in People's Republic of China

Fabriqué en République populaire de Chine
Imprimé en République populaire de Chine

Free Manuals Download Website

<http://myh66.com>

<http://usermanuals.us>

<http://www.somanuals.com>

<http://www.4manuals.cc>

<http://www.manual-lib.com>

<http://www.404manual.com>

<http://www.luxmanual.com>

<http://aubethermostatmanual.com>

Golf course search by state

<http://golfingnear.com>

Email search by domain

<http://emailbydomain.com>

Auto manuals search

<http://auto.somanuals.com>

TV manuals search

<http://tv.somanuals.com>