

CARE AND USE  
INSTRUCTIONS



COFFEE FOR TWO  
AUTOMATIC  
COFFEEMAKER  
WITH  
THERMAL TRAVEL MUGS

WS-02

## IMPORTANT SAFEGUARDS

When using an electrical appliance, basic safety precautions should always be followed to reduce the risk of fire, electric shock, and/or injury to persons. including the following:

1. Read all instructions.
2. Do not immerse in water.
3. For household use only.
4. Do not touch hot surfaces. Use handles or knobs.
5. To protect against electrical hazards, do not immerse cord, plugs, or the appliance in water or other liquid.
6. Close supervision is necessary when any appliance is used by or near children.
7. Unplug from outlet when not in use and before cleaning. Allow to cool before putting on or taking off parts, and before cleaning the appliance.
8. Do not operate any appliance with a damaged cord or plug, or after the appliance malfunctions or has been damaged in any manner. Return appliance to an authorized service facility for examination, repair or adjustment.
9. The use of accessory attachments not recommended may cause hazards.
10. Do not use outdoors.
11. Do not let cord hang over edge of table or counter, or touch hot surfaces.
12. Do not place the appliance on or near a hot gas or electric burner or in a heated oven.
13. Do not move entire unit when mugs contain hot liquids.
14. Prior to connecting or disconnecting plug from wall outlet, turn all controls to OFF.
15. Do not use appliance for other than intended household use.
16. This appliance has a polarized plug (one blade is wider than the other). To reduce the risk of electric shock, this plug is intended to fit into a polarized outlet only one way. If the plug does not fit fully into the outlet, reverse the plug. If it still does not fit, contact a qualified electrician. Do not attempt to modify the plug in any way.
17. **Warning:** To reduce risk of fire or electric shock, do not remove cover. No user-serviceable parts are inside. Repair should be done by authorized personnel only.
18. Do not use cracked mug or a mug having a loose weakened assembly.
19. **Warning:** To reduce the risk of fire or electric shock, do not remove the base panel. No user serviceable parts are inside. Repair should be done only by authorized personnel

## OPERATING NOTICE

Clogging and backing up of water and/or coffee in the filter basket can occur under any or a combination of any of the following conditions: The use of too finely ground coffee; using two or more paper filters; using the gold filter in conjunction with a paper filter or not properly cleaning coffee grounds from the gold filter; or allowing coffee grounds to spill over the filter.

**Caution:** Never open the filter basket during the brewing cycle, even if no water is draining from the filter basket, since extremely hot water/coffee can spill out from the filter basket and cause injury. If water/coffee is not draining from the filter basket during the brewing cycle, unplug the unit and wait 10 minutes before opening and checking the filter basket.

## SAVE THESE INSTRUCTIONS

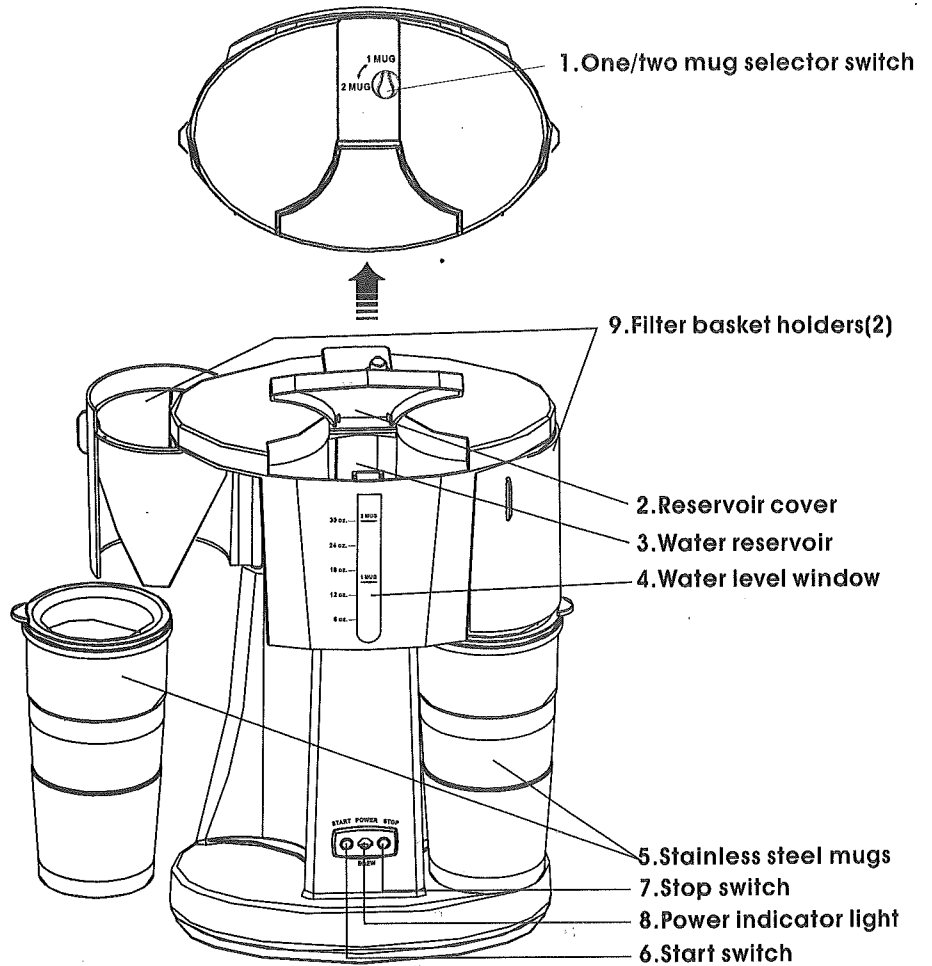
**Note:** A short power supply cord is provided to reduce the risk of personal injury resulting from becoming entangled in or tripping over a longer cord. If a longer cord is required, extension cords are available from local hardware stores and may be used provided: (1) the marked electrical rating

of the extension cord should be at least as great as the electrical rating of the appliance, and (2) the longer cord should be arranged so that it will not drape over the countertop or table where it can be pulled on by children or tripped over.

### DESCRIPTION OF YOUR "COFFEE FOR TWO" COFFEE MAKER

Today everybody seems to be on the go! Or so it seems. That's why we designed the Coffee for Two. It let's you brew your favorite Gevalia coffee directly into one or two thermal travel mugs so you can take your coffee with you. The stainless steel mugs features insulated stay-cool grips, tight fitting lids to keep coffee hot, and fit most car cup holders. Ingeniously engineered with two independent brewing systems, your Coffee for Two can make one mug, two mugs . . . or any combination of coffee at the same time. Brew decaf on one side, regular on the other side. Brew two types of coffee or two different flavors at the same time. And your Coffee For Two automatically shuts off after brewing. Perfect for active people who want their coffee to go.

### DESCRIPTION OF PARTS



1. One/Two Mug Selector Switch

Rotate the selector switch to either one or two mugs as desired. When selecting one mug the coffee will brew into the left-hand mug only!

**IMPORTANT: Always place both mugs in place on the coffee maker when brewing. Even if the selector switch is in the one mug position**

2. Reservoir Cover

Hinged cover for easy filling.

3. Water Reservoir

4. Water Level Window

Markings indicate quantity of water needed to brew one or two mugs. When brewing one or two mugs never fill above the appropriate marking level indicated on the water window.

1) Left side of water window

Calibrated to increments of 6/12/18/24/30 ounces

2) Right side of water window

1 Mug-calibrated up to 15 ounces, 2 Mugs-calibrated up to 30 ounces

5. Stainless Steel Mugs

Thermal travel mugs(2)

6. Start Switch

7. Stop Switch

8. Power Indicator Light

9. Filter Basket Holders(2)

Removable for easy cleaning.

## PREPARATION FOR USE

Before the first use it is suggested that you clean your new coffee maker. Simply run through 2 brew cycles as described below without using coffee or a coffee filter.

### PREPARING COFFEE AND OPERATING YOUR COFFEE MAKER

1. Place the coffee maker on a hard, flat surface. With the coffee maker turned off, plug into a 120V outlet. The LED power light will switch to Red .

2. Open the reservoir cover and fill it with cold filtered or bottled water to the appropriate level depending on whether you are making one or two mugs. The float on the water level window indicates the amount of water necessary to brew one mug or two mugs.

**IMPORTANT: When brewing one or two mugs NEVER fill above the appropriate making level indicated on the water window.**

3. Rotate the ONE/TWO MUG SELECTOR SWITCH to either the one or two mug(s) setting as desired. Place both mugs into the coffee maker making sure the lids are secure. When selecting one mug the coffee will brew into the left-hand mug only.

**Note: Always insert both mugs into the coffee maker, even when brewing only one mug of coffee.**

For best results, rinse inside of mug(s) with hot water before brewing to optimize the temperature of the coffee.

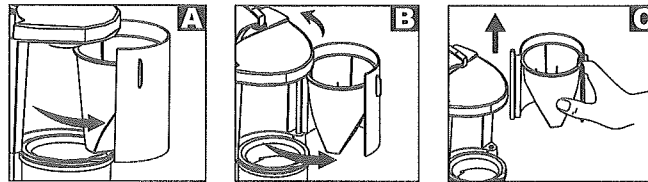
4. Swing out the left filter basket when brewing one mug or both filter baskets when brewing two mugs. Insert a #2 Gevalia cone filter(s) into the basket(s), folding the seamed edge(s) to insure a snug fit in the basket(s). Always use a fresh filter for each new brew cycle.

5. Place the desired amount of Gevalia Kaffe coffee into one or both filter baskets, corresponding to the number of mugs being brewed. We recommend to use 2 to 3 Gevalia scoops per mug. Gradually adjust the amount of coffee to your personal taste.

of t/  
for  
b

With both mugs and filter basket(s) in place, press the Start button. The LED power light will switch to green during the brew cycle.

- The brew cycle is complete when the water level indicator is empty. The LED power light will switch back to red when the brew cycle is complete. Wait for an additional minute until all the coffee has stopped flowing into the mug(s). After coffee grounds have cooled, carefully open the filter basket(s) and discard used coffee filter(s) and grounds. To remove filter basket(s) from the coffee maker (A) grasp the basket handle(s) and swing basket outward, and (B) with the basket(s) fully swung outward, lift up and pull basket(s) off basket hinge(s).(C)



Note: use caution when removing and discarding the used, hot filter paper(s) and used grounds. Rinse filter basket after each brew.

- The brew cycle can be stopped at any time by pushing the Stop button. The LED power light will switch to red. To restart the brew cycle simply push the Start button and the LED power light will turn green.
- The coffee maker is designed to automatically shut off when the brew cycle is completed. You should still unplug the coffeemaker after use.

## CLEANING YOUR COFFEE MAKER

Caution: Be sure to unplug this appliance before cleaning. To protect against electrical shock, do not immerse cord, plug or unit in water or other liquid. To clean the coffee maker body, simply wipe clean with a clean, damp cloth and dry before storing. Never use harsh or abrasive cleaners on any part of the coffee maker. Do not try to clean the inside of the water reservoir with a cloth, this may leave a residue of lint and may clog your coffee maker. Just rinse with cold water periodically. Stainless steel mugs should be washed in warm soapy water and rinsed thoroughly.

**Note: We do not recommend using the dishwasher to clean the mugs.**

## DECALCIFYING YOUR COFFEE MAKER

Calcium build-up frequently occurs in drip coffee makers. This build-up is normal and is caused by minerals commonly found in drinking water. Periodically, your coffee maker will need cleaning to remove any calcium or mineral deposits that may form. You will know when your unit will need decalcifying when you notice an obvious slow down in brewing time. We recommend decalcifying your unit with a solution of white vinegar and cold water. Combine in a container, two tablespoons of white vinegar and 2 mugs of water. Pour into the water reservoir to capacity and follow your normal operating instructions without filters. When the brew cycle is finished, empty the mugs and rinse with water. Refill the reservoir with cold water only and repeat the brew cycle with water only twice more. This will rinse out any remaining vinegar solution. We recommend you do this 4 times a year.

## LIMITED WARRANTY

GLOBAL MARKETING CORPORATION warrants this appliance shall be free from defects in materials and workmanship for a period of one year from the date of purchase or receipt. During that period, defects will be repaired or the product will be replaced at the manufacturer's option without charge. This warranty covers normal consumer use and does not cover damage or failure which results from alteration, accident, misuse, abuse, neglect, commercial use, or improper maintenance.

### FOR SERVICE:

1. Call the Gevalia Kaffe import Service at 1-800-438-2542 for further information on repair or replacement of your defective coffee maker.  
Gevalia Kaffe is only available through the Gevalia Kaffe import Service. To place an order or obtain additional information.

Call us toll free at:  
1-800-GEVALIA  
(1-800-438-2542)

OR

2. Call GLOBAL MARKETING CORPORATION at 1-800-969-2518 for warranty information.

Printed in China

## Free Manuals Download Website

<http://myh66.com>

<http://usermanuals.us>

<http://www.somanuals.com>

<http://www.4manuals.cc>

<http://www.manual-lib.com>

<http://www.404manual.com>

<http://www.luxmanual.com>

<http://aubethermostatmanual.com>

Golf course search by state

<http://golfingnear.com>

Email search by domain

<http://emailbydomain.com>

Auto manuals search

<http://auto.somanuals.com>

TV manuals search

<http://tv.somanuals.com>