



Patent No.: 119147(Taiwan)

● Features

- High reliability
- Fail- safe operation (Power to Lock).
- Five years warranty.
- Anodized aluminum housing.
- MOV provides spike and surge protection.
- Sliding Template Type Design for easy installation
- Dual voltage 12 or 24 VDC (selectable).
- Anti-Residual magnetism designed

● Statement

The fail-safe Electromagnetic Lock design with no mechanical parts but magnetic force to secure and release the doors, suitable for use in areas which required access controlled or egress such as exit door.

We offers up to 600 pounds holding force with jumper pin selectable for 12V or 24V DC dual input voltage and can be applied with access control, and with the full range of optional brackets, it can be installed on all type of door frames such as Hollow, Wooden and frameless glass door.

It is the best choice for electronic security industry and system integrators. More optional functions are available in **10001N** mini electromagnetic lock series.

● Specifications

- Voltage Tolerance: 15%
- Current Draw: 500mA@12Vdc ; 250mA@24VDC (at temperature 20C)
- Operating Temperature: -10~55C)14~131F(
- Humidity: 0~95% non-condensing.
- Lock's surface Temperature (when the power is on): (current temperature +20C)
- Holding Force: Up to 600 lbs)272 Kg(
- Dimensions:
 - Magnet:(L) 250, (W) 47, (D) 26 mm
 - Armature Plate:(L) 185, (W) 38, (D) 12 mm
- Special Finishes for magnet and armature plate: Zinc
- Epoxy Potting Compound: E87252 (S), UL94V-0
- Weight (Approx.): 2.0 Kg

● Operating Features

10002N: Bond sensor output & Status LED

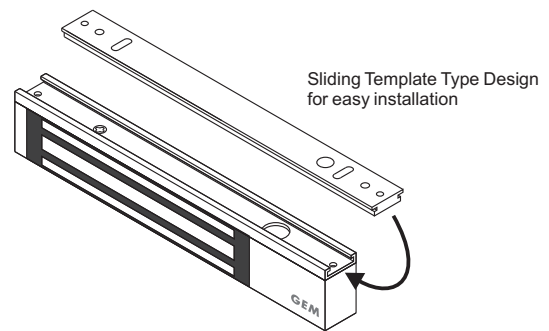
Bond sensor is used to indicate the door status as in a locked or unlocked condition. Status LED is a visual feedback for user to give the true status of the lock at any time. Green light indicates the door is insecure

Bond sensor monitor output : SPDT rated: 3A@12VDC

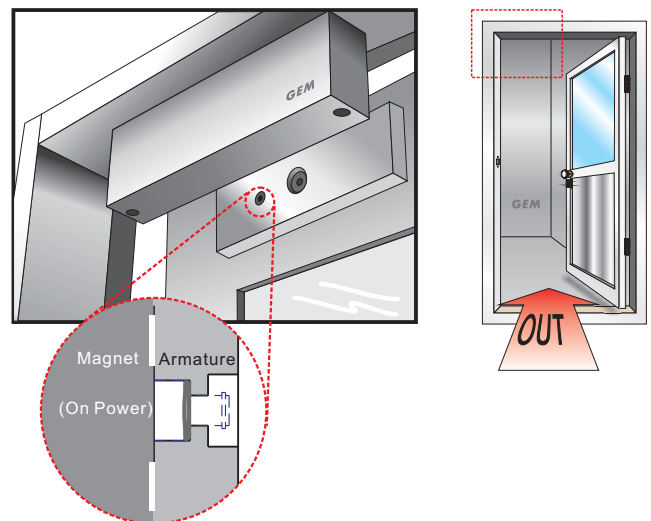
10002NDS: Door status and bond sensor output & Status LED

Door Status Sensor indicates the door is in an opened or closed status. Magnetic Bond Sensor indicates the door is in a locked or unlocked status.

Door status output : SPDT rated: 0.25A@12VDC



● Regular Installation



Unique Anti-Residual design

When the power is switched off, the holding force will be discontinuity and the bolt was installed in armature will pop

GIANNI INDUSTRIES, INC.

No. 13, Zhong Sing Road, Tu-Cheng Industrial Zone,
Tu-Cheng City, Taipei, Taiwan 23678
Tel: 886-2 2267 7986 / Fax: 886-2 2267 9876
E-Mail: info@gianni.com.tw
Website: gianni.tw
Copyright 2008 Gianni industries, inc. All rights reserved.
DM-CA-10001N Ver. C Published on 2008.04.30



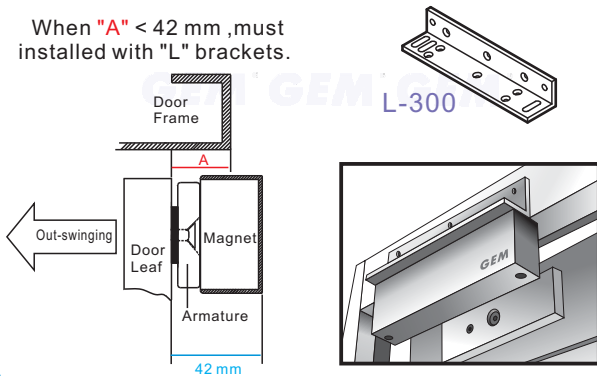
The products are manufactured under an ISO 9001 & QC 080000 Certified Quality Management Program environment back its product quality, performance and commitment to customer satisfaction.

Optional Brackets

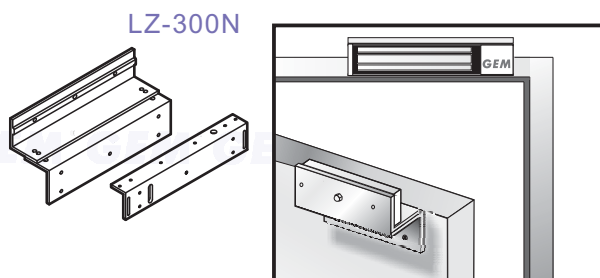
The door swinging direction and the door frame header are used to determine whether the bracket is required and this identify is a measure of which brackets is suitable. Our optional brackets include L-bracket, LZ-bracket and U-bracket.

With L-bracket for narrow door frames

When "A" < 42 mm, must installed with "L" brackets.

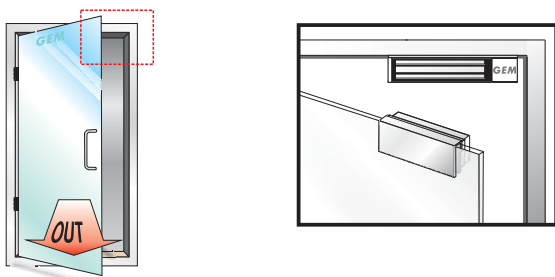


With LZ-bracket for in-swinging doors

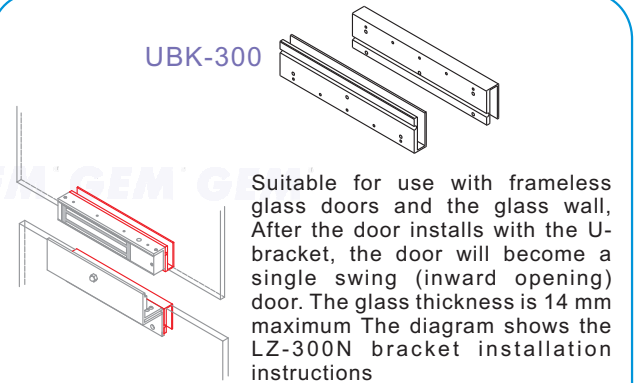


With U-bracket for frameless glass doors

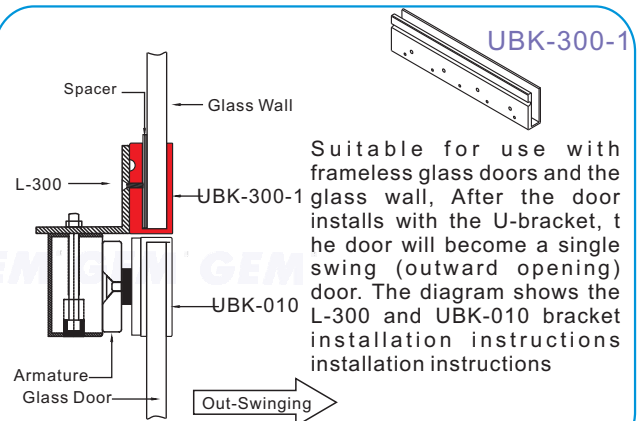
UBK-010 For 10mm thickness of glass door
UBK-012 For 12mm thickness of glass door



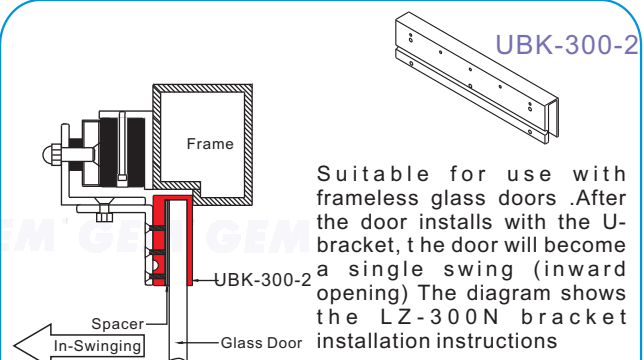
UBK-300



UBK-300-1



UBK-300-2



Warranty

The product is warranted against defects in material and workmanship while used in normal service for a period of 5 year from the date of sale to the original customer. The GEM policy is one of continual development and improvement; therefore GEM reserves the right to change specifications without notice.

GIANNI INDUSTRIES, INC.

No. 13, Chung Sing Road, Tu-Cheng Industrial Zone,
Tu-Cheng City, Taipei, Taiwan 23678
Tel: 886-2 2267 0322 / Fax: 886-2 2267 0323
E-Mail: info@gianni.com.tw
Website: gianni.tw

Copyright 2008 Gianni industries, inc. All rights reserved.
DM-CA-10001N Ver. C Published on 2008.04.30



The products are manufactured under an ISO 9001 & QC 080000 Certified Quality Management Program environment back its product quality, performance and commitment to customer satisfaction.

Free Manuals Download Website

<http://myh66.com>

<http://usermanuals.us>

<http://www.somanuals.com>

<http://www.4manuals.cc>

<http://www.manual-lib.com>

<http://www.404manual.com>

<http://www.luxmanual.com>

<http://aubethermostatmanual.com>

Golf course search by state

<http://golfingnear.com>

Email search by domain

<http://emailbydomain.com>

Auto manuals search

<http://auto.somanuals.com>

TV manuals search

<http://tv.somanuals.com>